

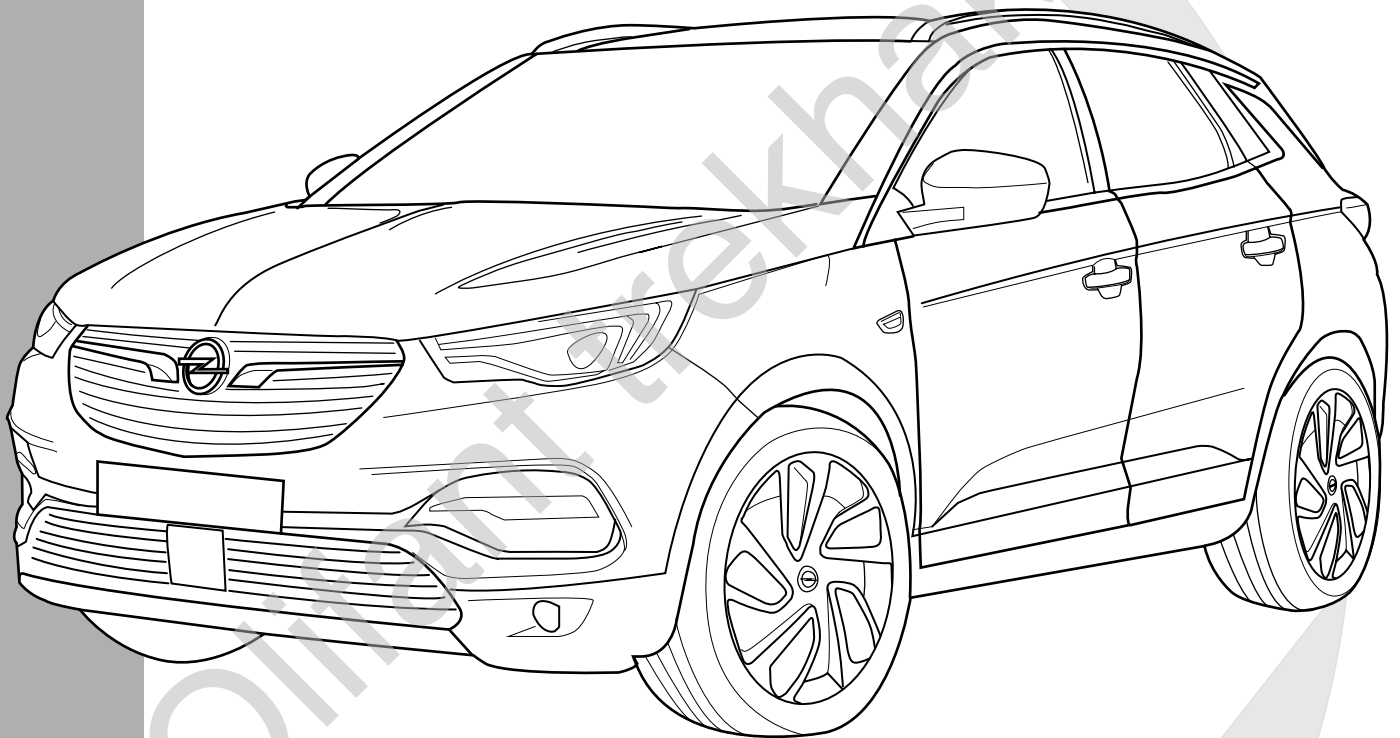


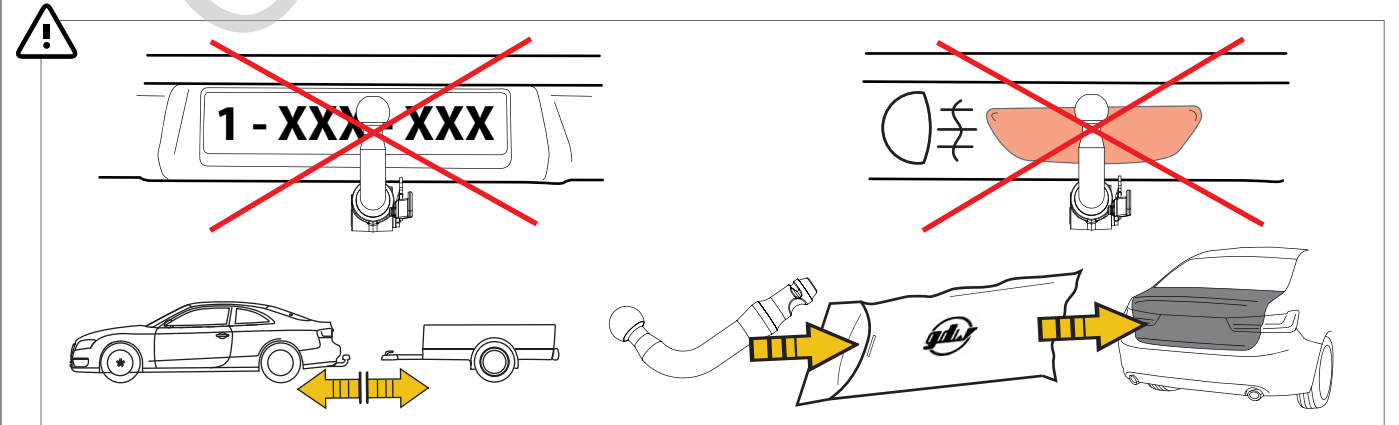
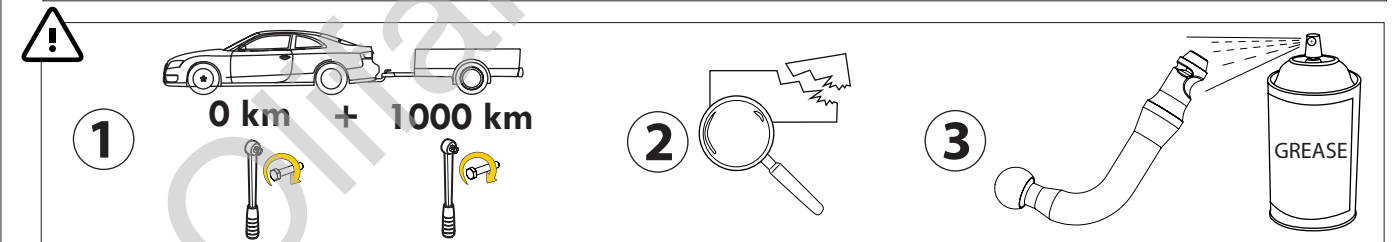
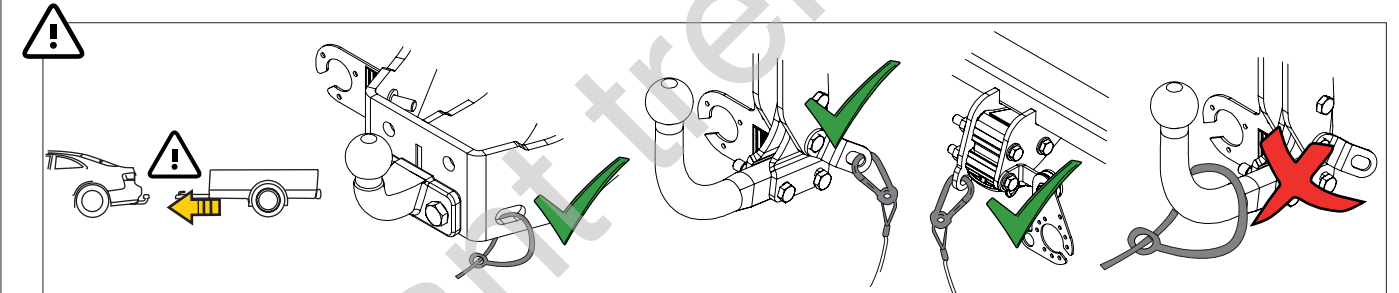
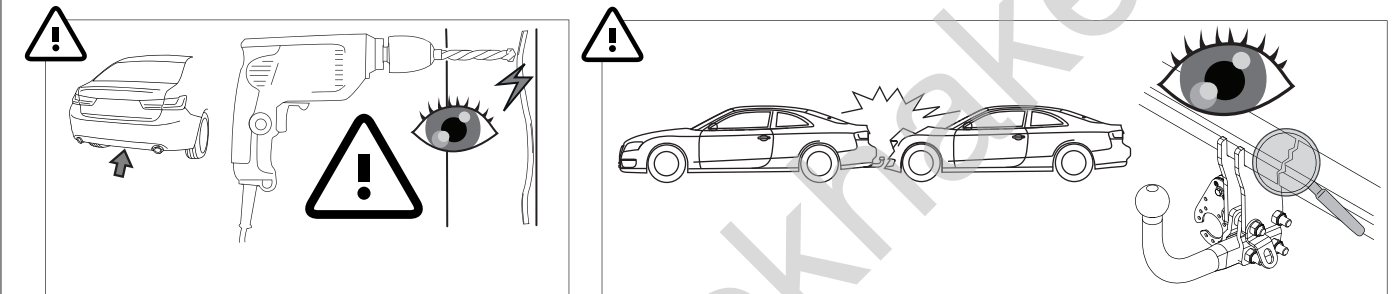
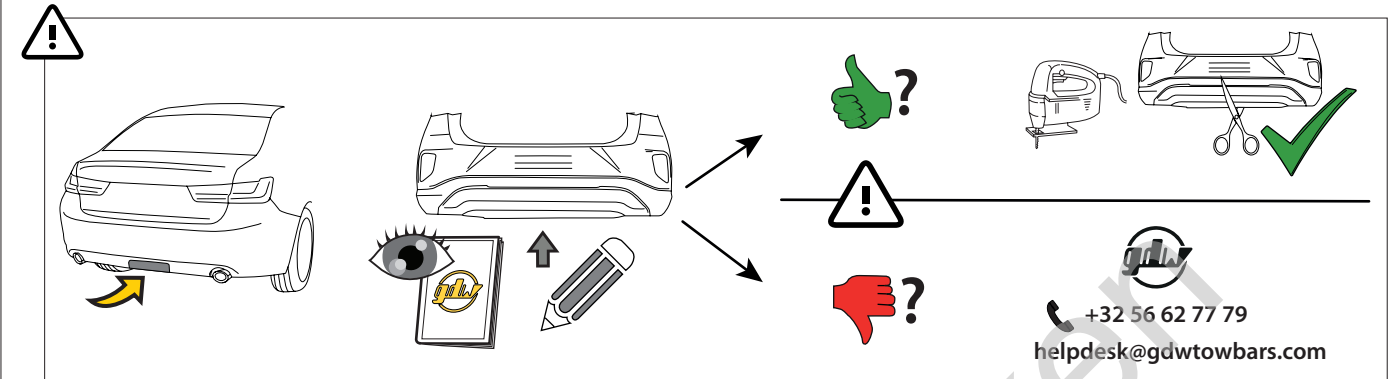
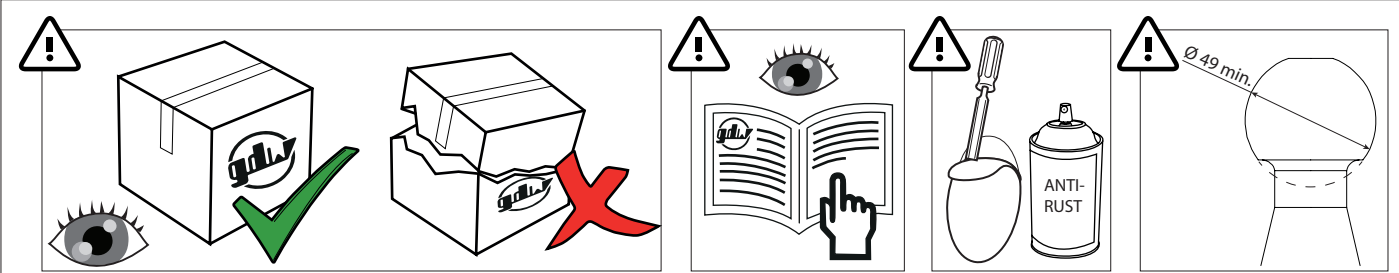
TREKHAKEN • ATTELAGES • ANHÄNGERVORRICHTUNGEN • TOWBARS • ENHANCES • ANHÆNGERTRÆK • GANCI DI TRAINO

Montagehandleiding | instructions de montage | Einbauanleitung | Mounting instruction
Instrucciones de montaje | monteringsvejledning | istruzioni di montaggio



Opel Grandland X Hybrid (type: A18) 06/'19-



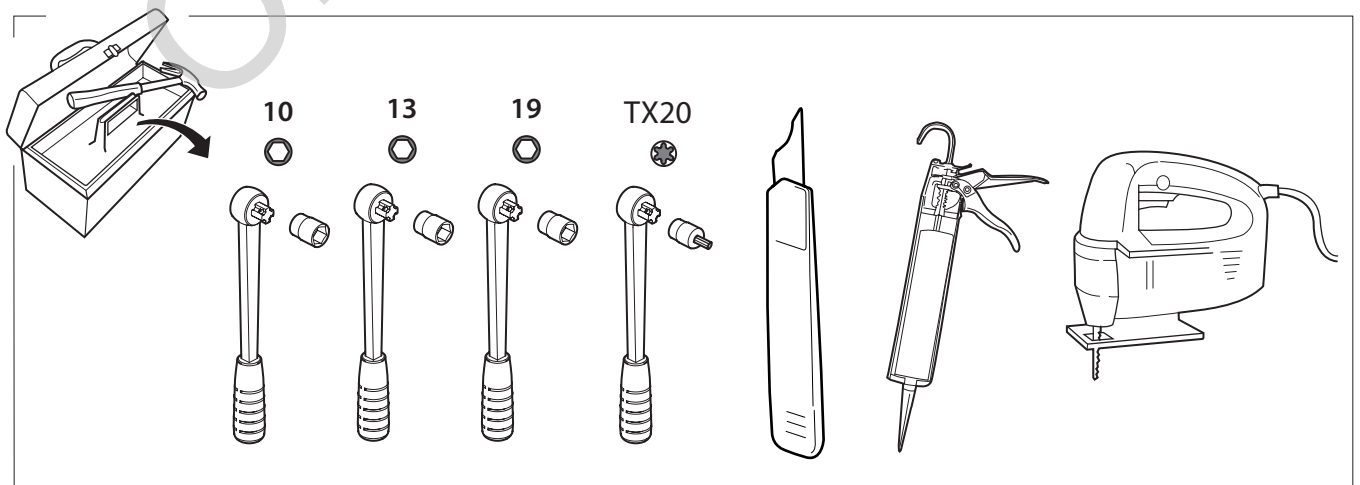
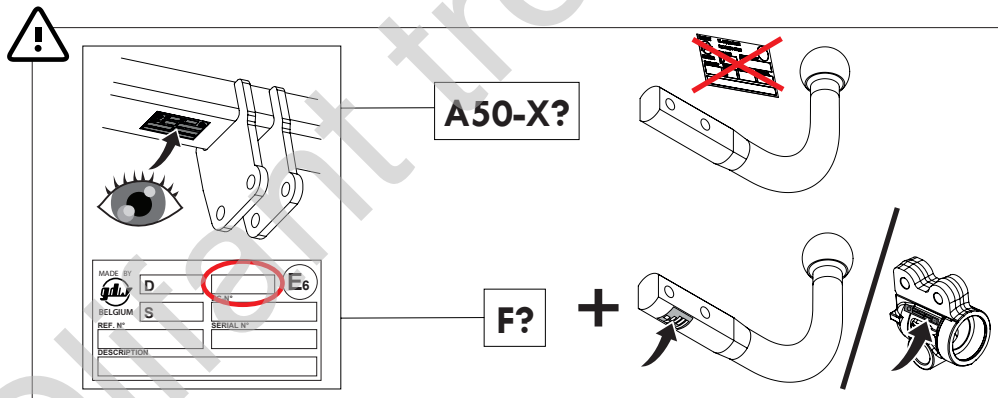
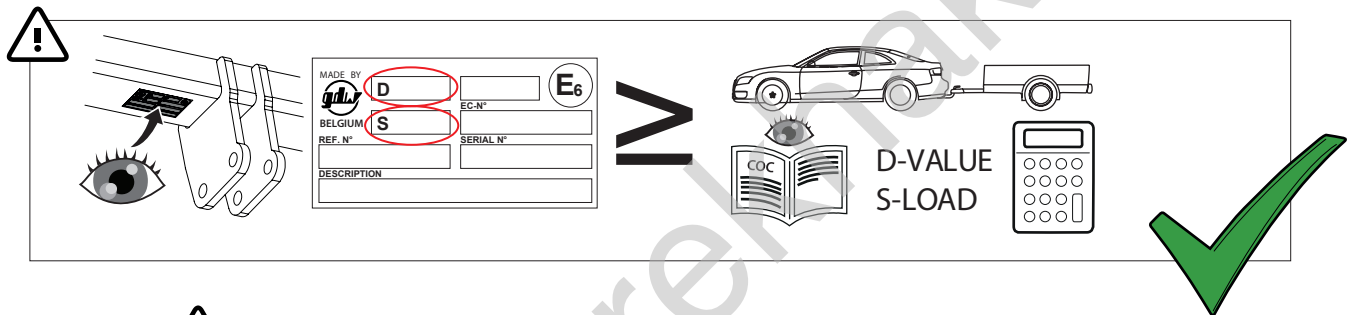
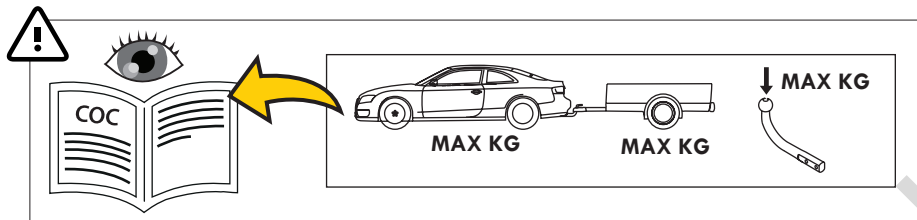


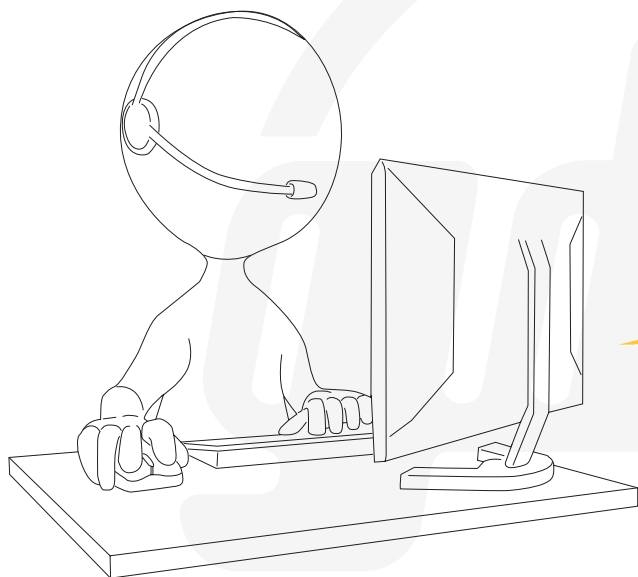
MADE BY 	D 8,25	F	
	S 80	55R-02 1709	
BELGIUM REF N° 2612T60	SERIAL N° XXXX		DESCRIPTION Opel Grandland X Hybrid 06/'19-

$$D = \frac{\text{max kg (car)} \times \text{max kg (trailer)}}{\text{max kg (car)} + \text{max kg (trailer)}} \times 0.00981 \leq 8,25 \text{ kN}$$

$$S = \begin{cases} \leq 80 \text{ kg} \\ \leq 1300 \text{ kg} \end{cases}$$

See the Certificate Of Conformity (COC) of your vehicle or contact your dealer to verify the max. trailer weight of your car!

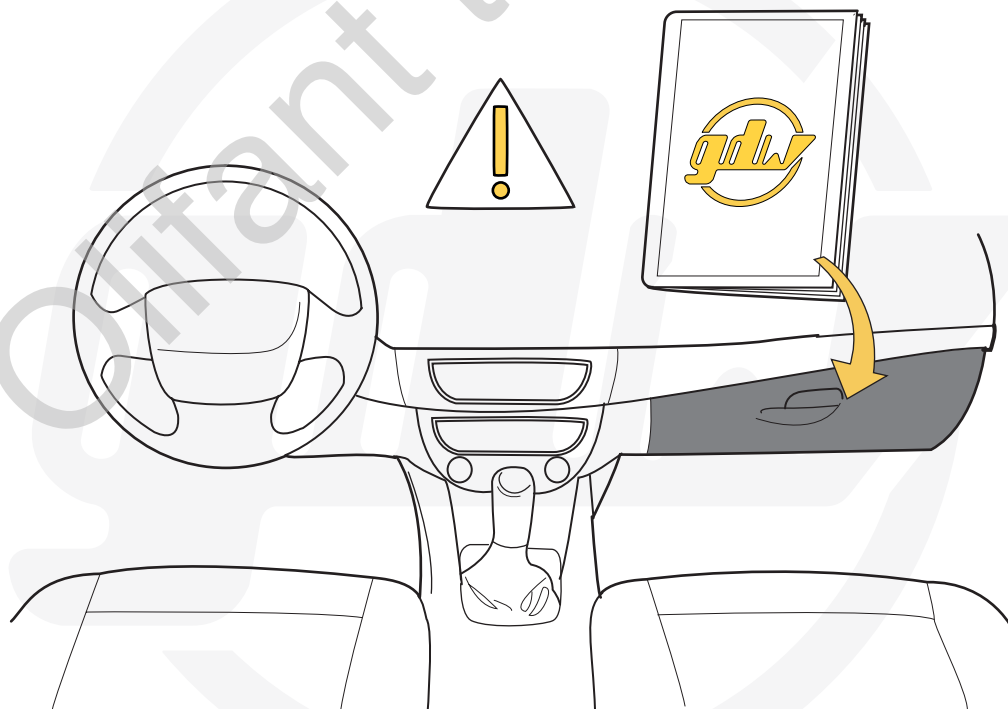


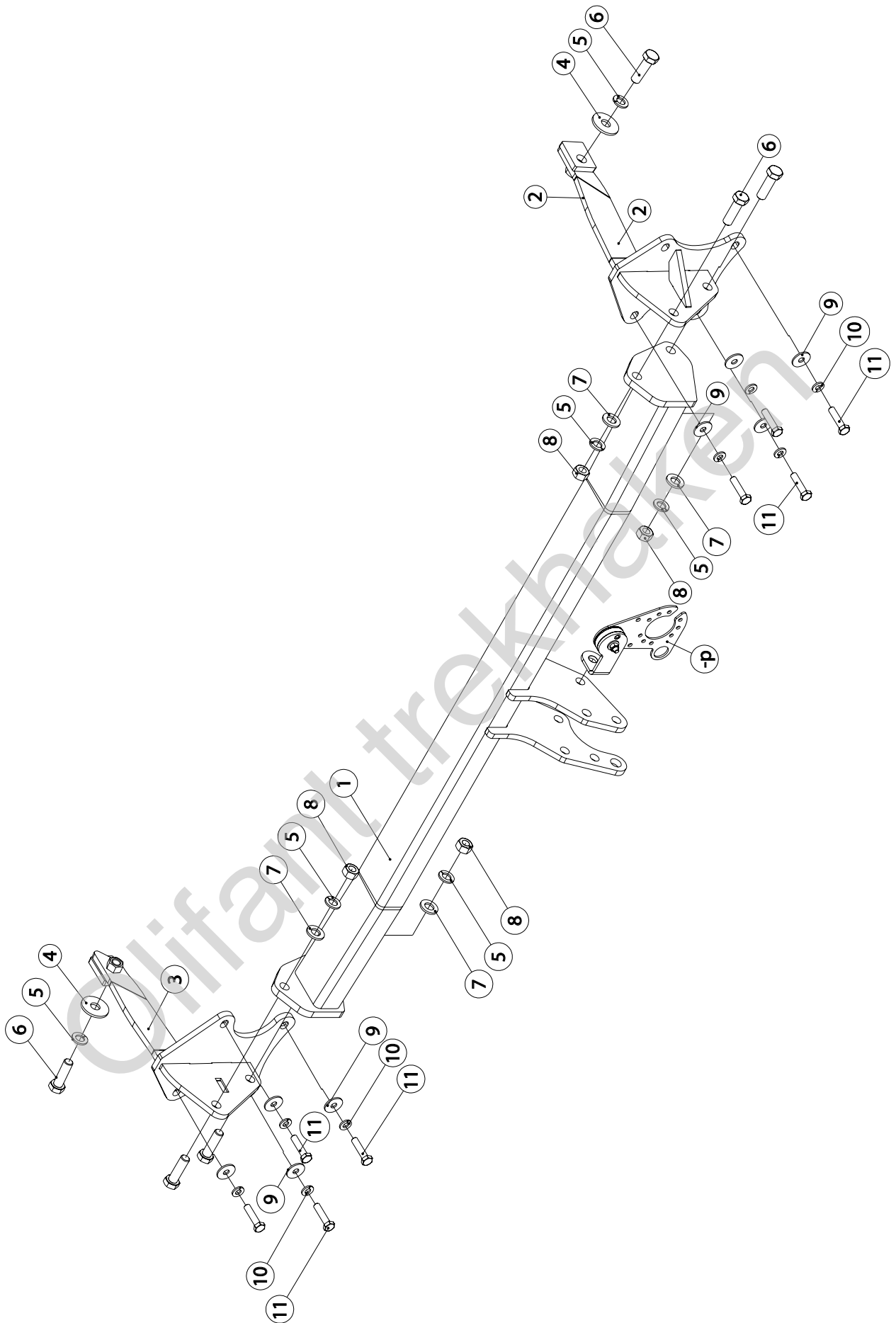


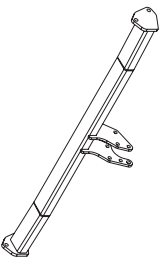
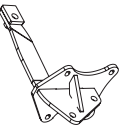
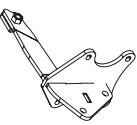








helpdesk@gdwtowbars.com

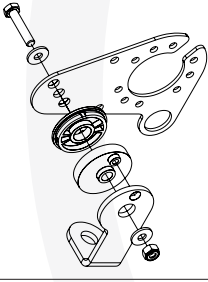




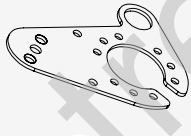


+32 56 62 77 79

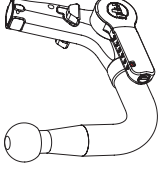

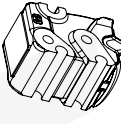


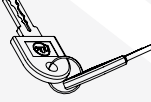




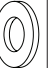

Monday	08:00 - 12:00	12:30 - 16:30
Tuesday	08:00 - 12:00	12:30 - 16:30
Wednesday	08:00 - 12:00	12:30 - 16:30
Thursday	08:00 - 12:00	12:30 - 16:30
Friday	08:00 - 12:00	12:30 - 15:30



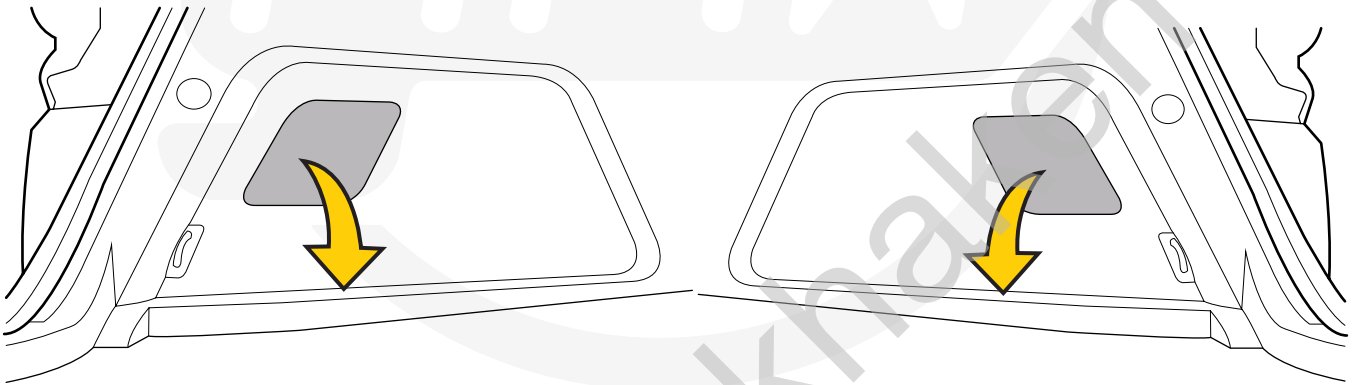
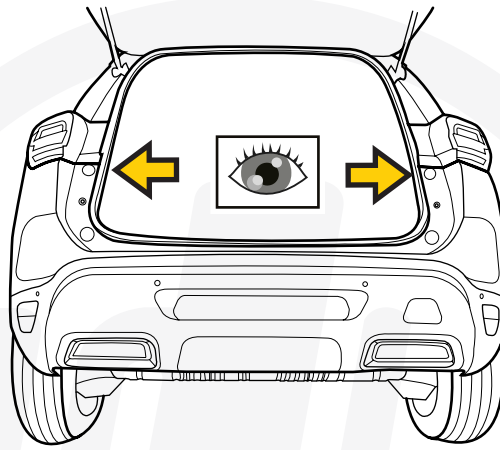


1		X1	GDW REF. 2612T60
2		X2	GDW REF. 2
3		X1	GDW REF. 3
4		X2	DIN9021-M12-ELVZ
5		X6	DIN128A-M12
6		X6	DIN933-M12X40
7		X4	DIN125-A12-140HV-ELVZ
8		X4	DIN934-M12
9		X8	DIN9021-M8-ELVZ
10		X8	DIN128A-M8
11		X8	DIN933-M8X35

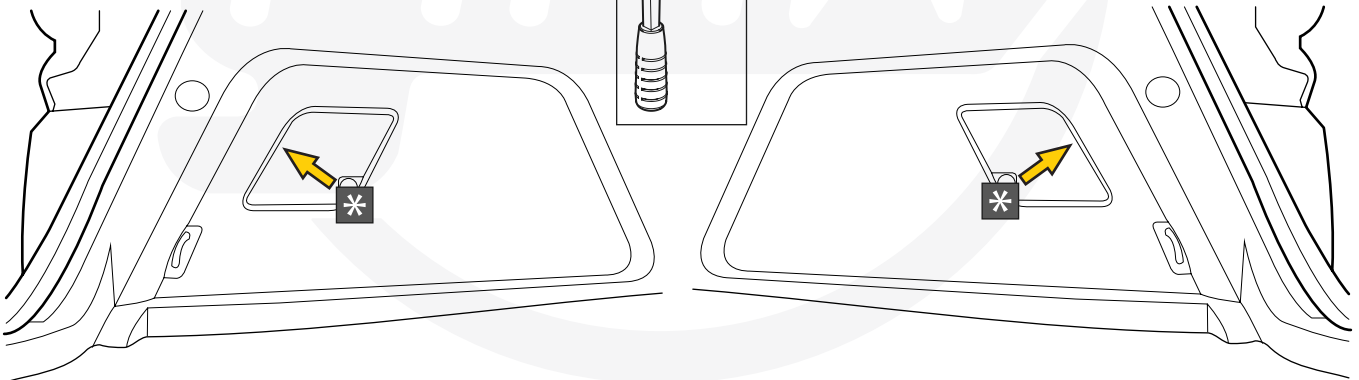
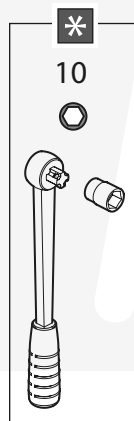
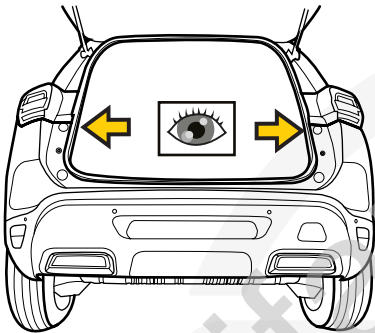
	X1	GDW REF. P46
	X1	DIN985-M6
	X2	6,2 X 15,4 X 1,6 (NYLON)
	X1	GDW REF. 718.16.002
	X1	GDW REF. 718.16.003
	X1	GDW REF. 908.094
	X1	DIN933-M6 X 30
	X1	GDW REF. 908.101

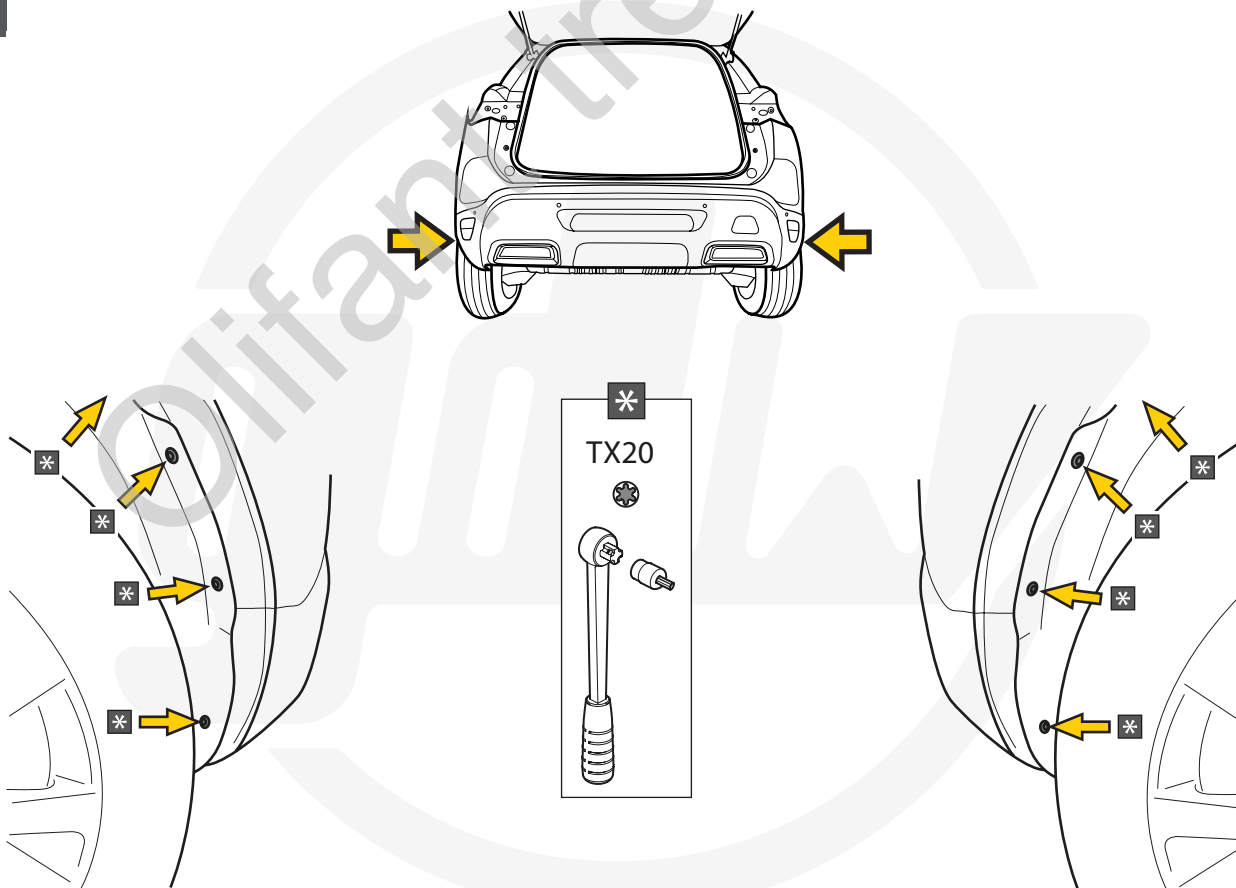
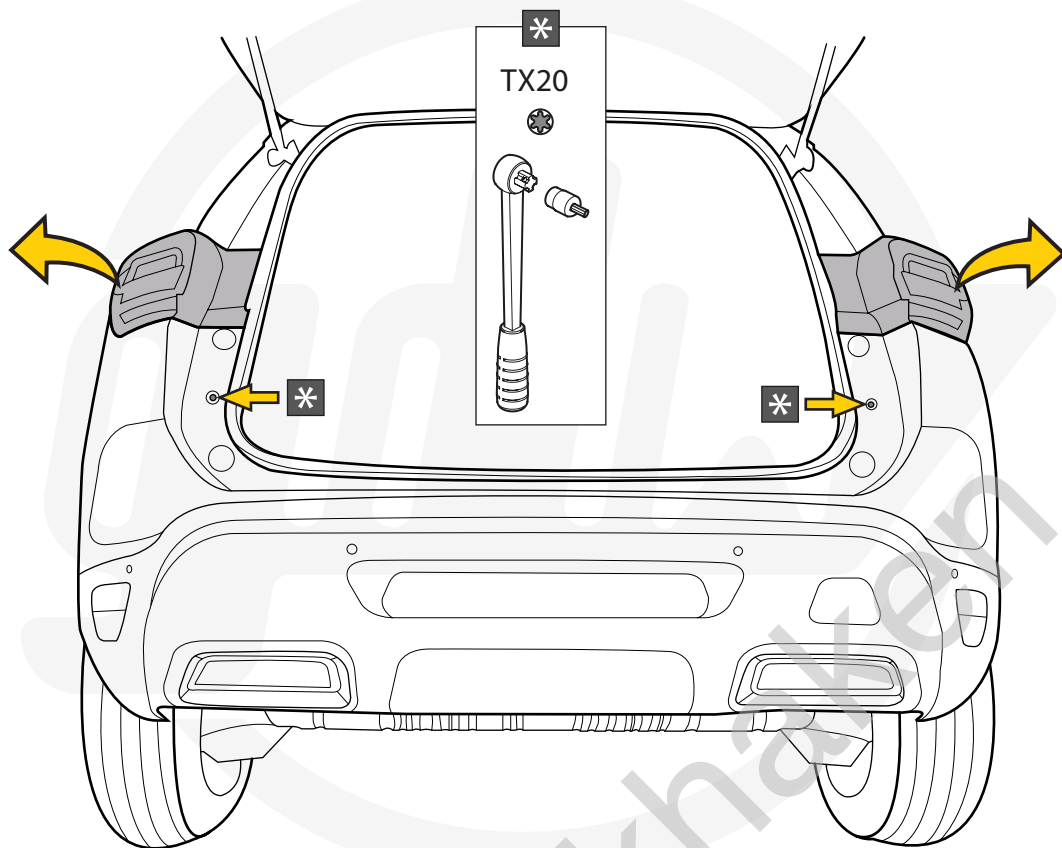
<p>Geleverd met - Livré avec - Delivered with Geliiefert mit - Elementos adjuntos-Leveres med</p>		X1	GDW REF. 960.V0408
		X1	GDW REF. 740.200
		X1	GDW REF. 912.003
		X1	GDW REF. 740.112
		X1	GDW REF. 740.111
		X1	GDW REF. 740.12X X=LAST NUMBER ON KEY
		X1	GDW REF. 718.15.001
		X1	GDW REF. SYST60-10
		X3	DIN931-M12X110-8.8
		X3	DIN128A-M12
		X6	DIN125A-M12
	X3	DIN934-M12	

1

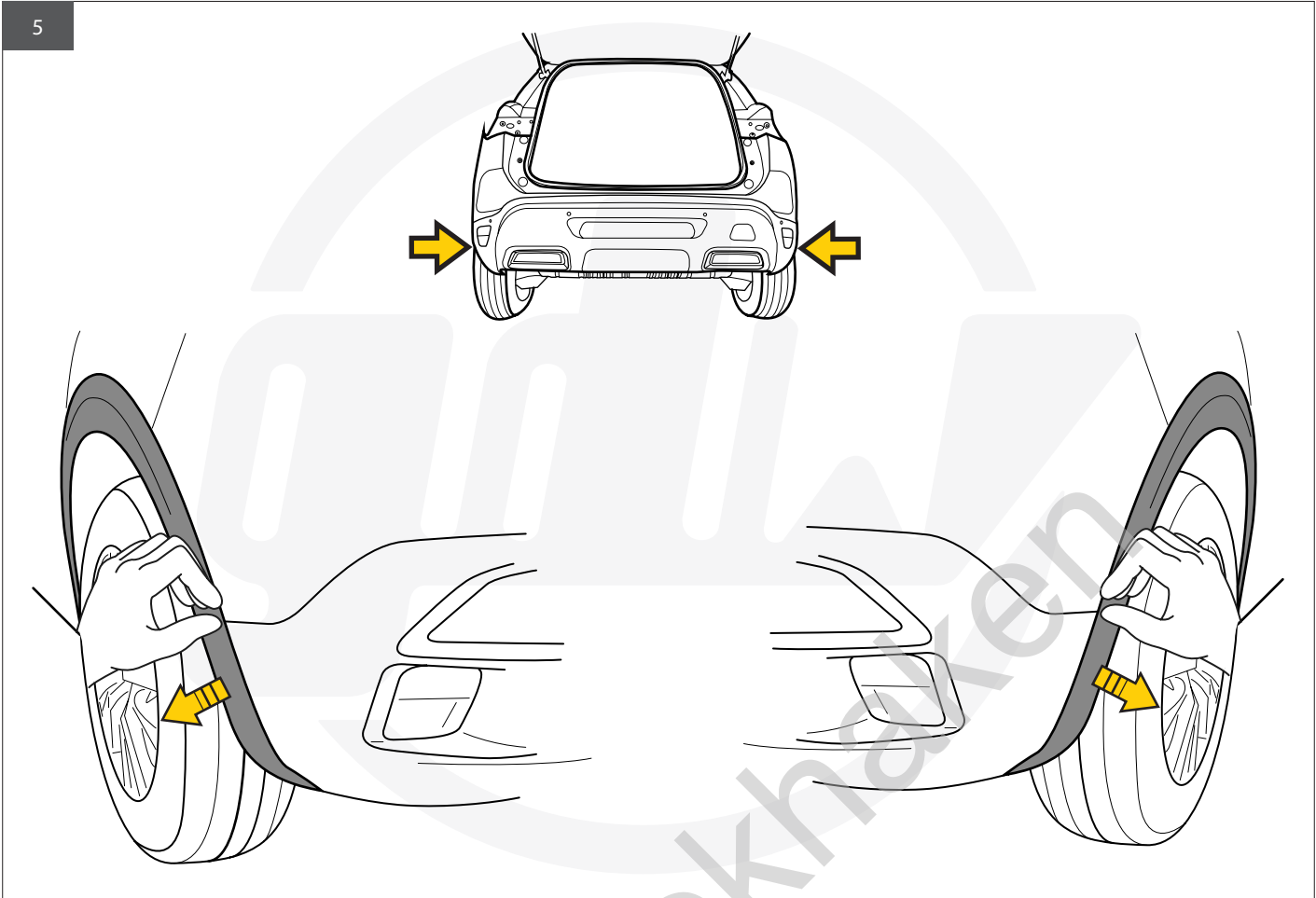


2

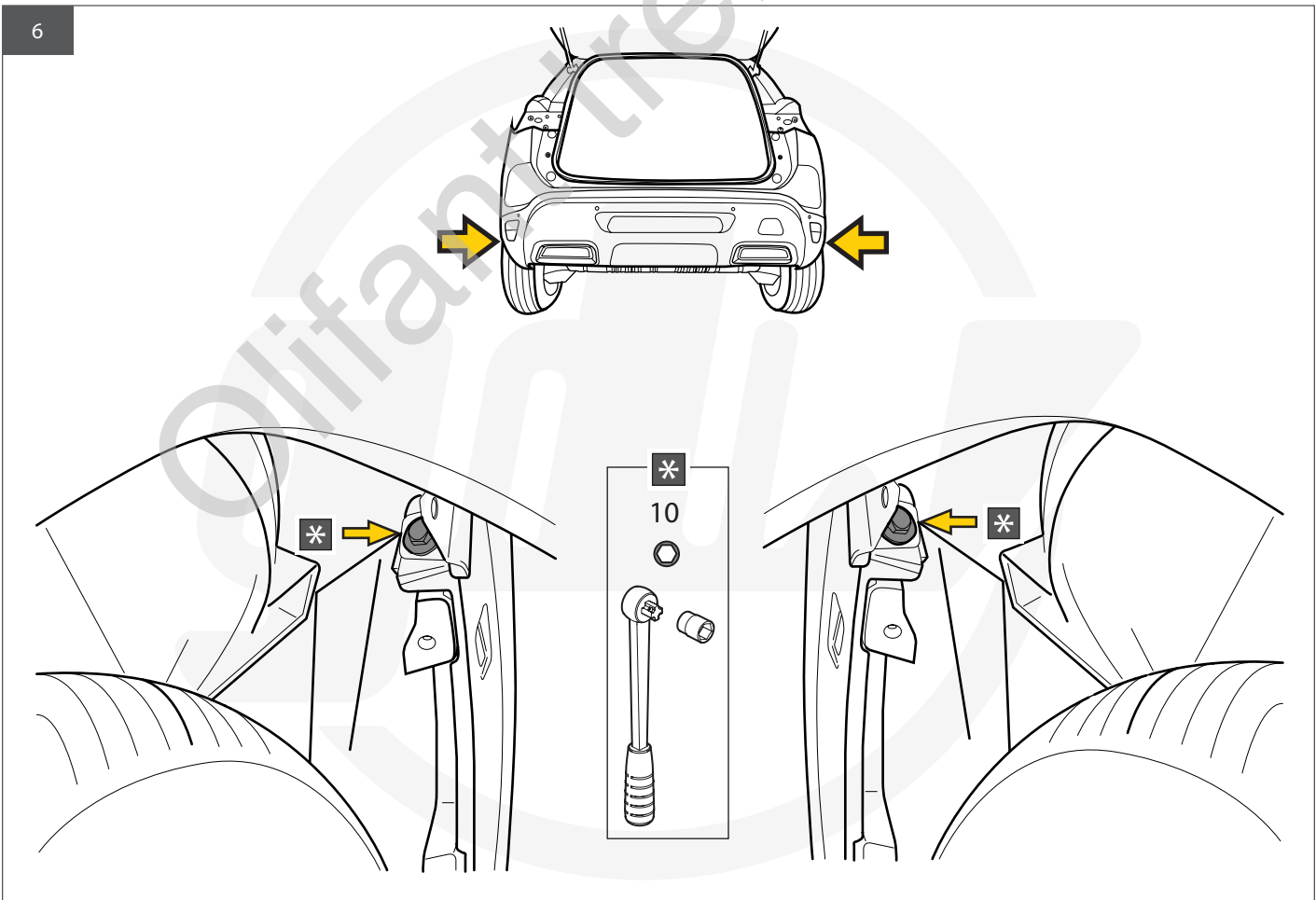




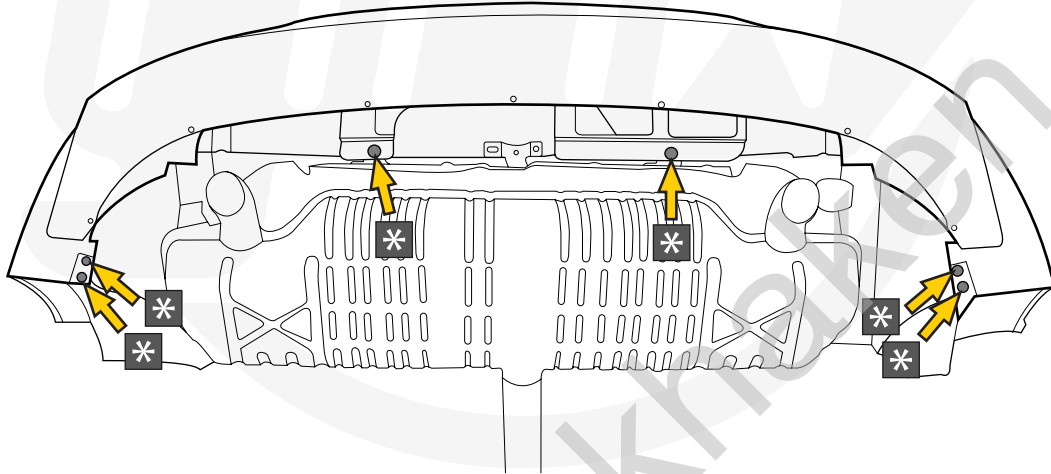
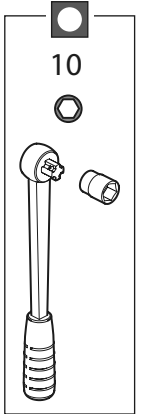
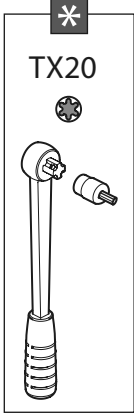
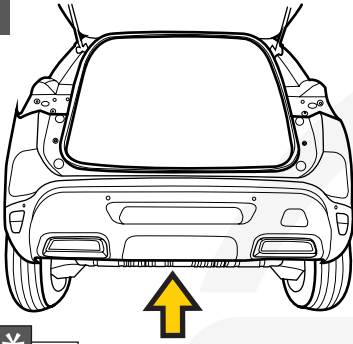
5



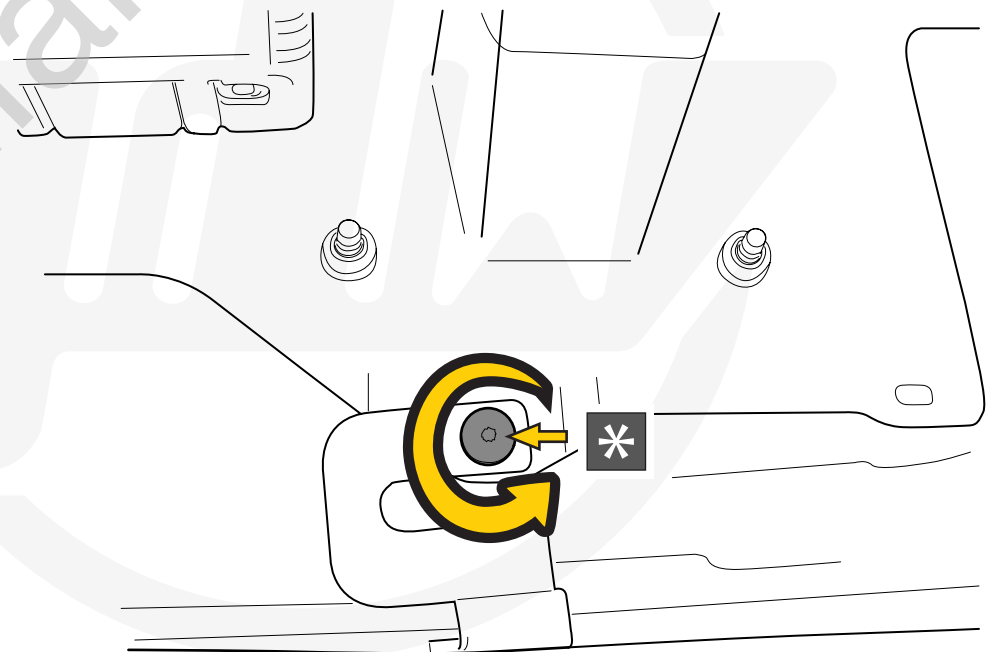
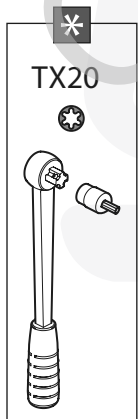
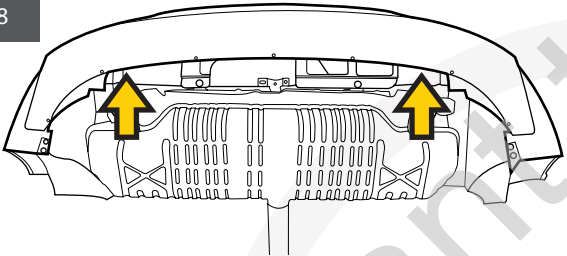
6

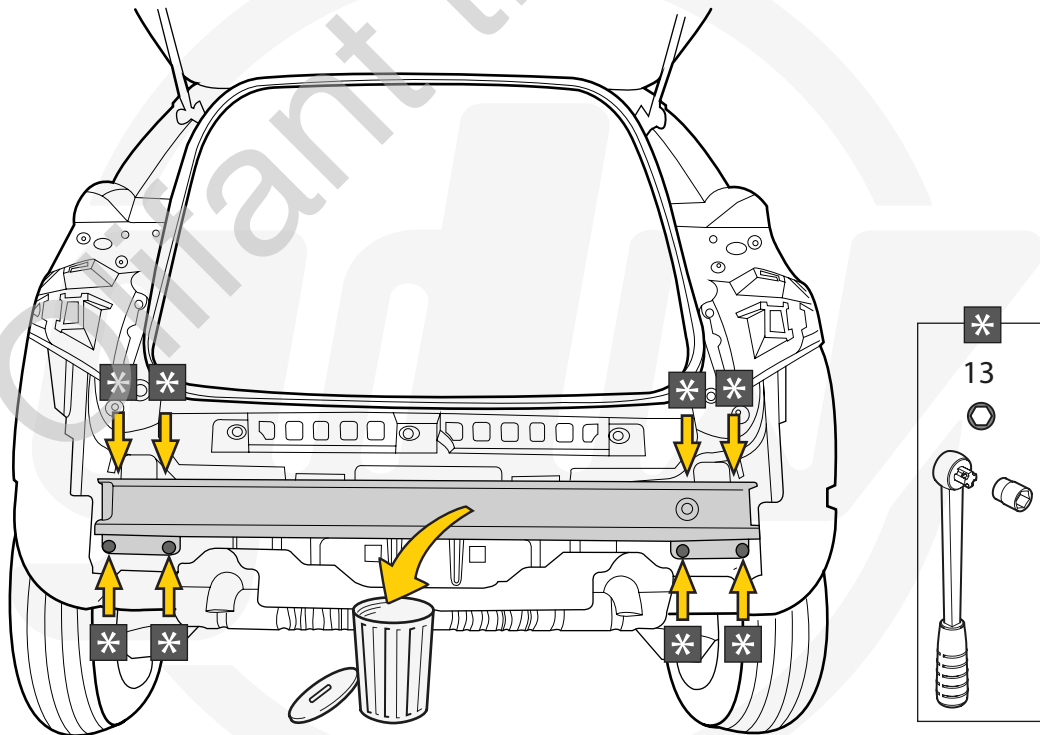
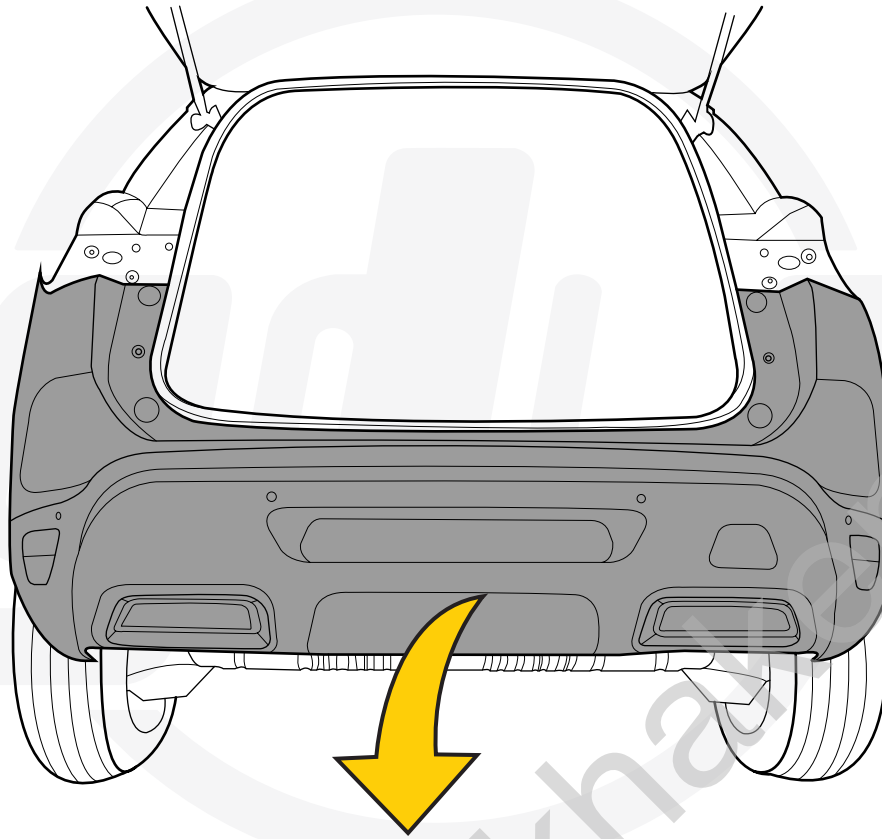


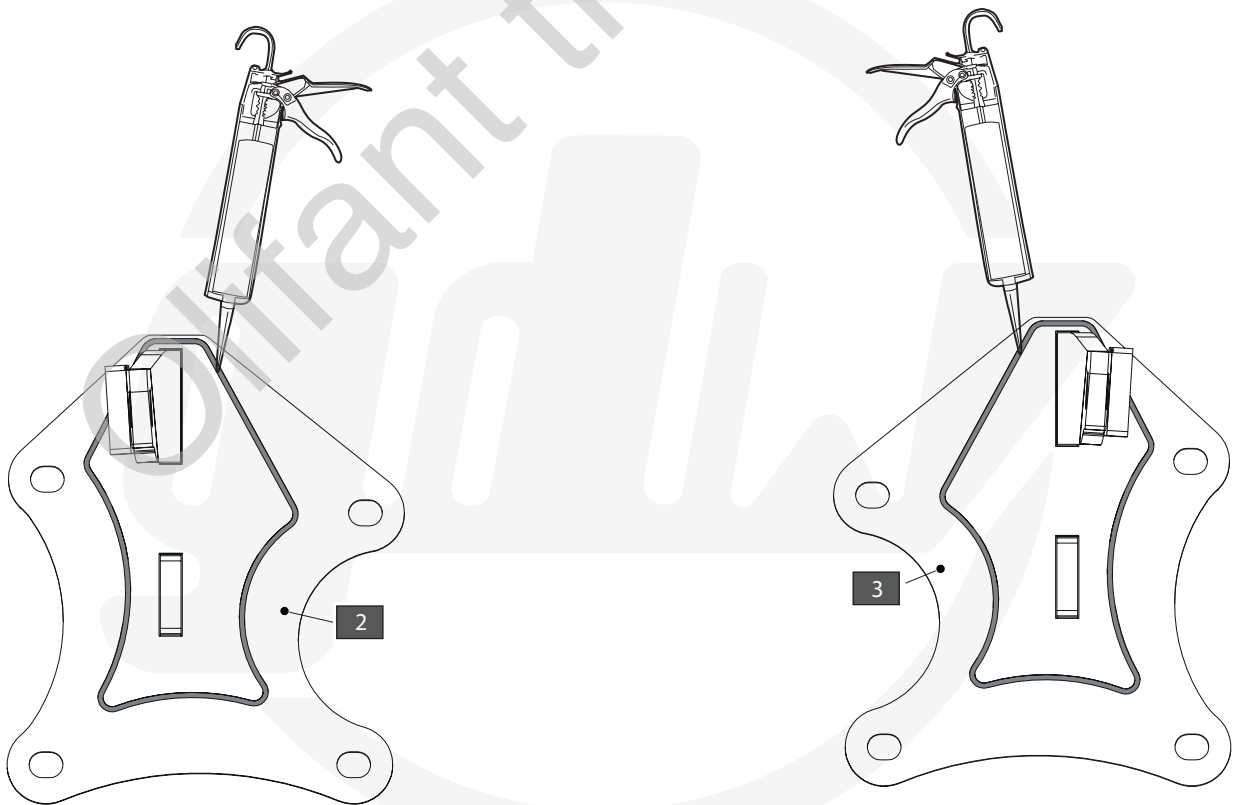
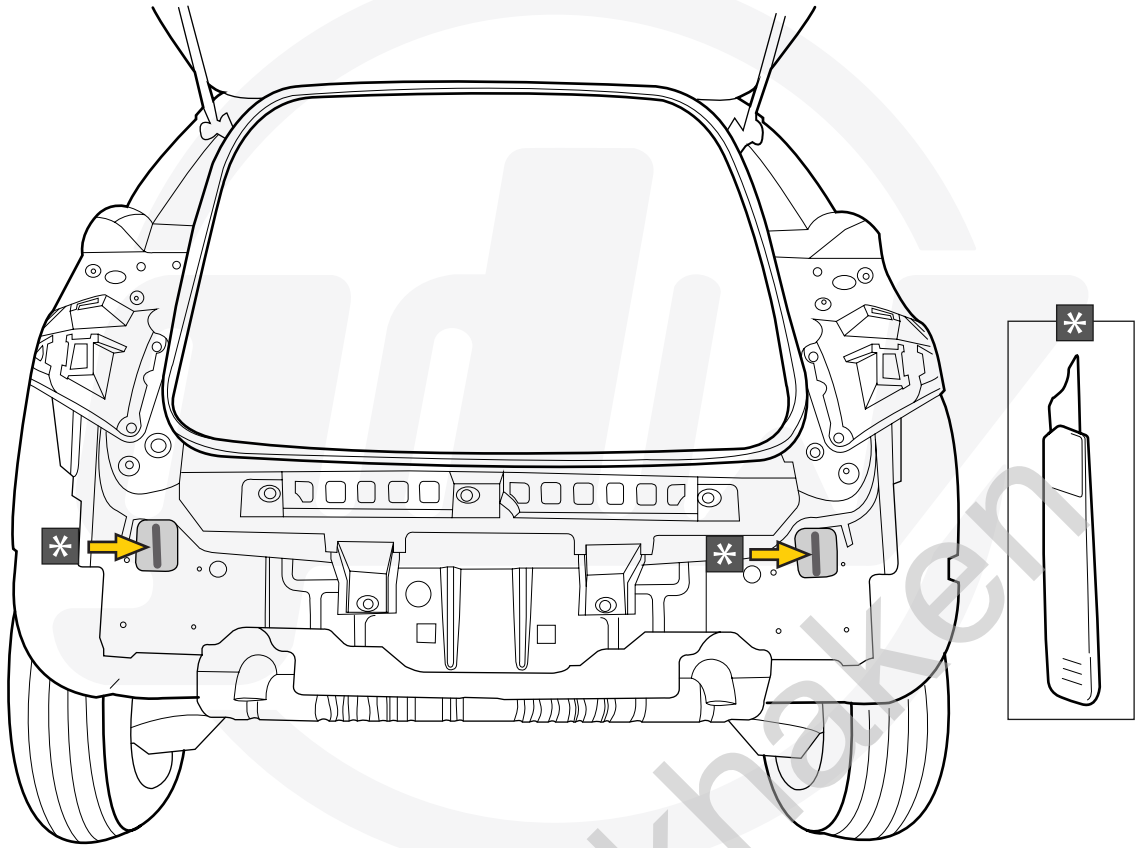
7

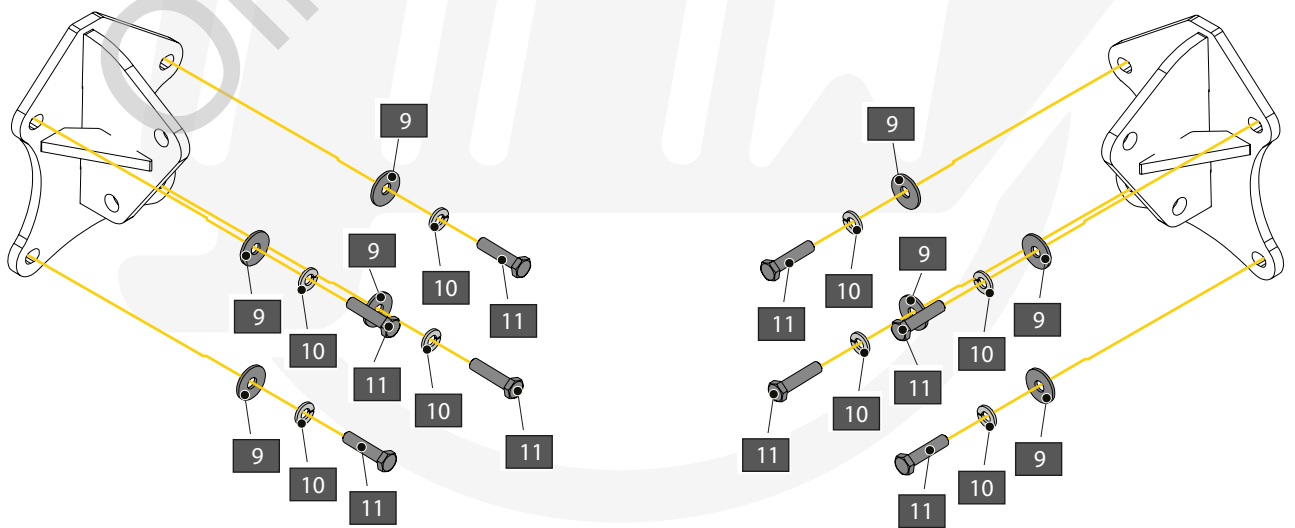
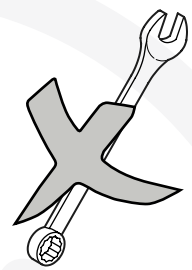
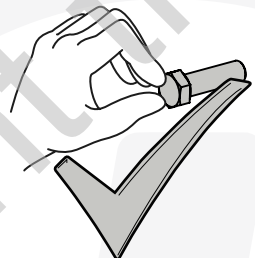
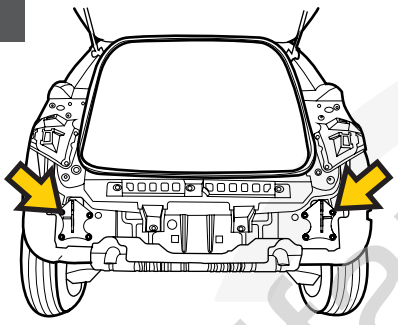
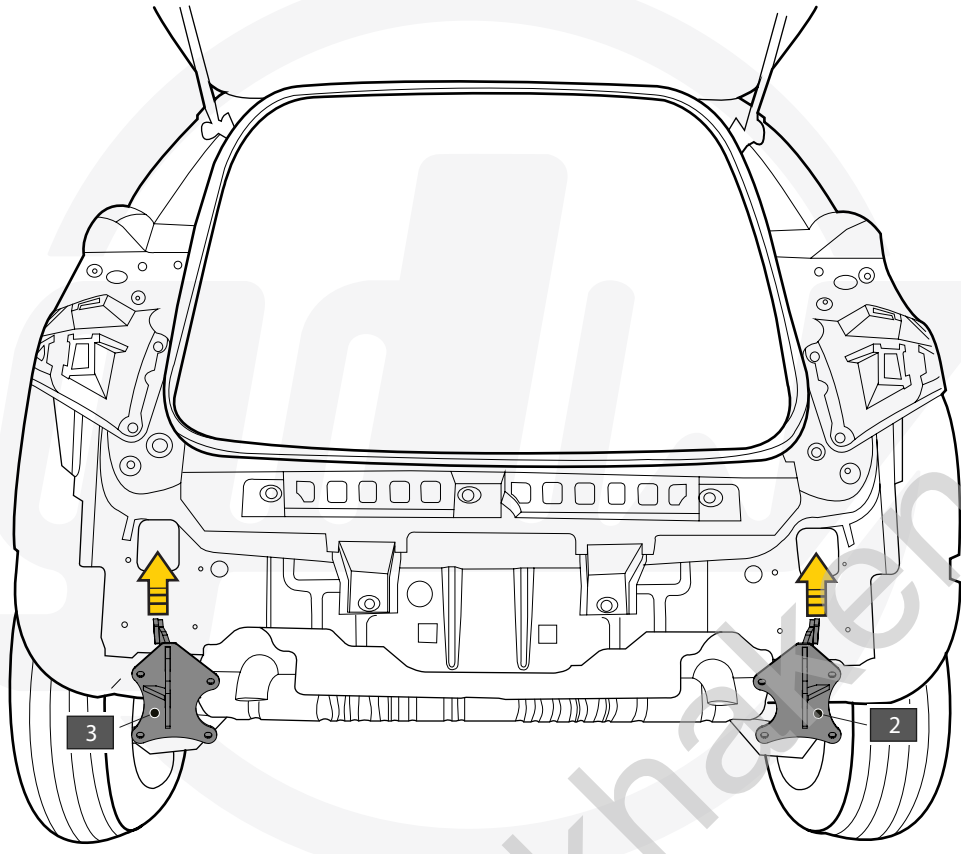


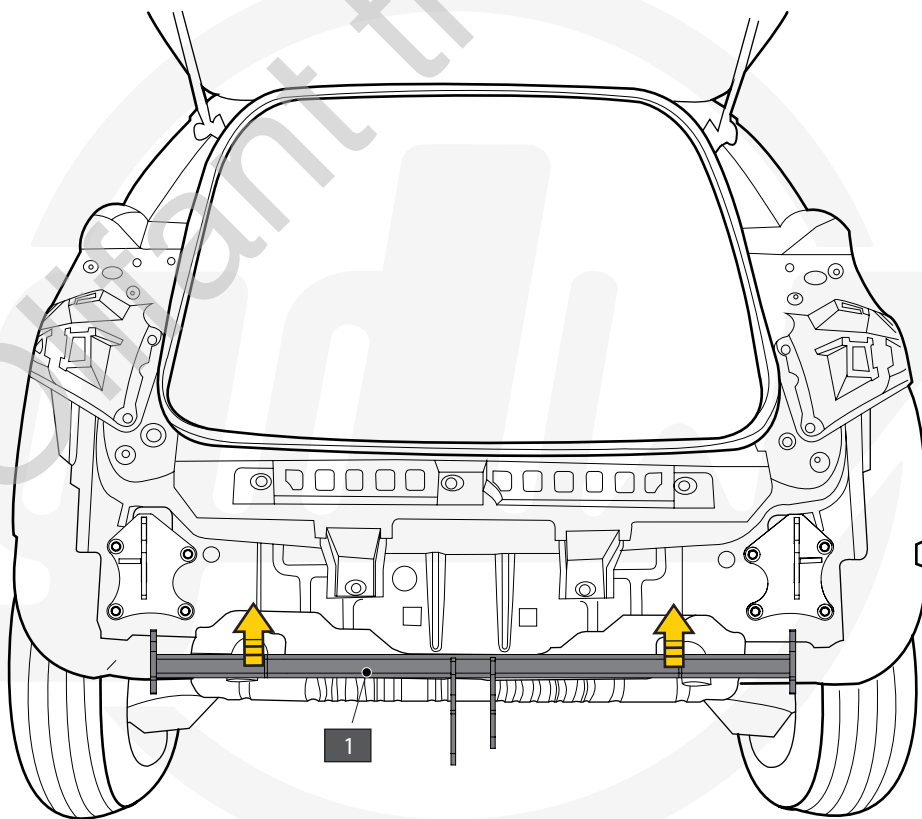
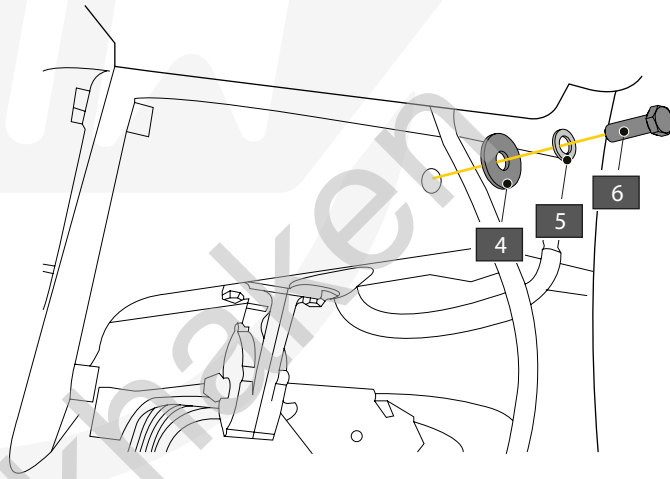
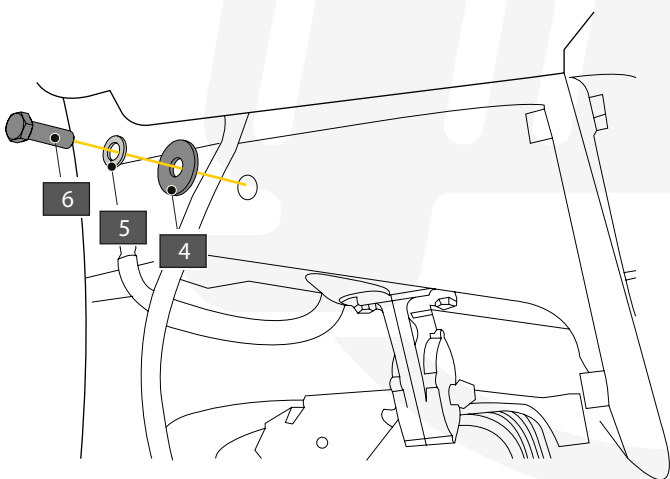
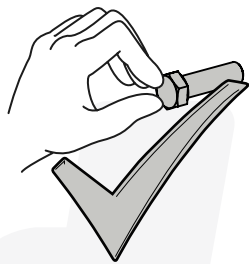
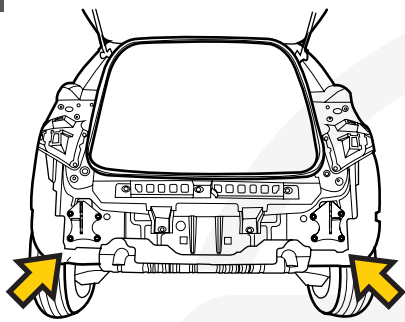
8

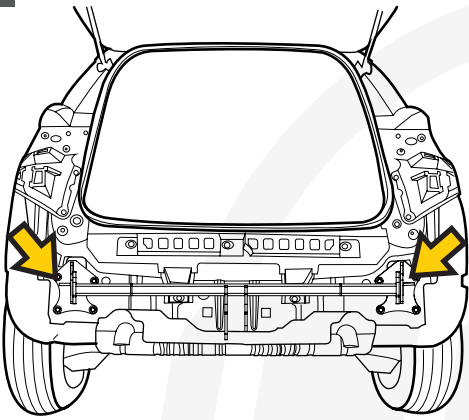




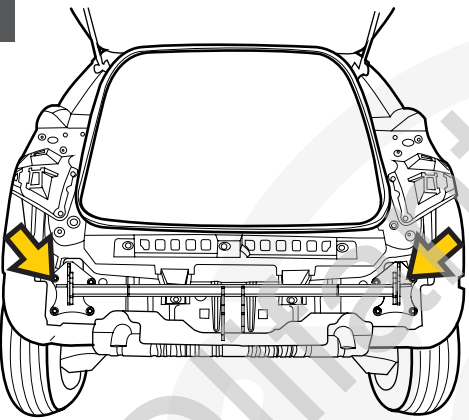
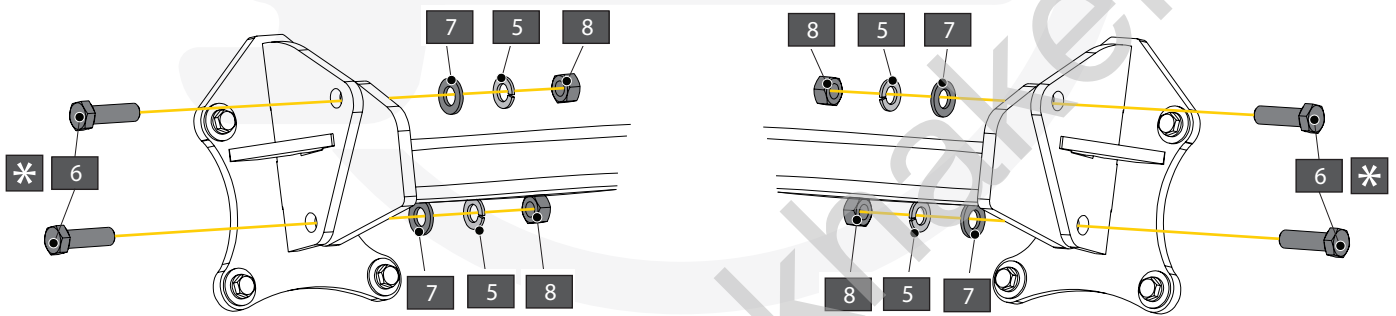
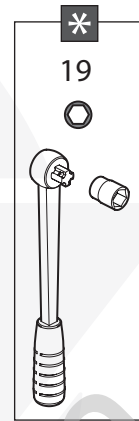




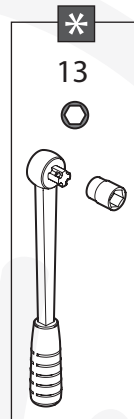




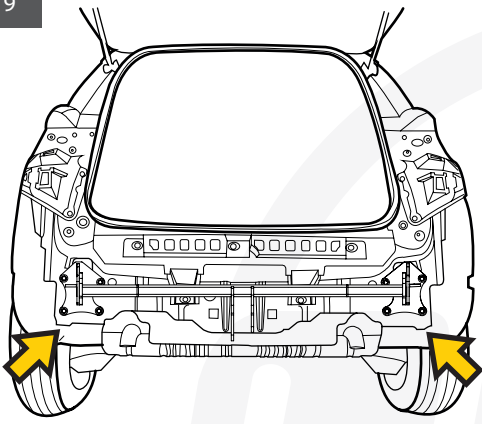
93,0 Nm



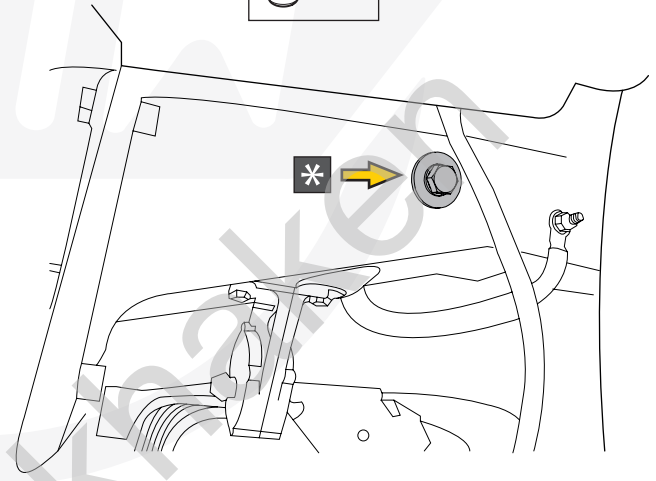
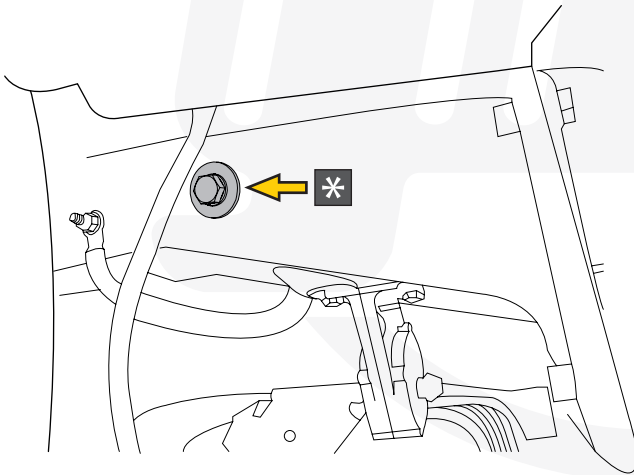
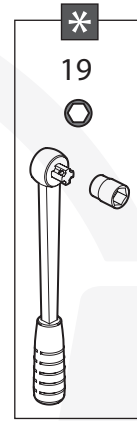
27,3 Nm



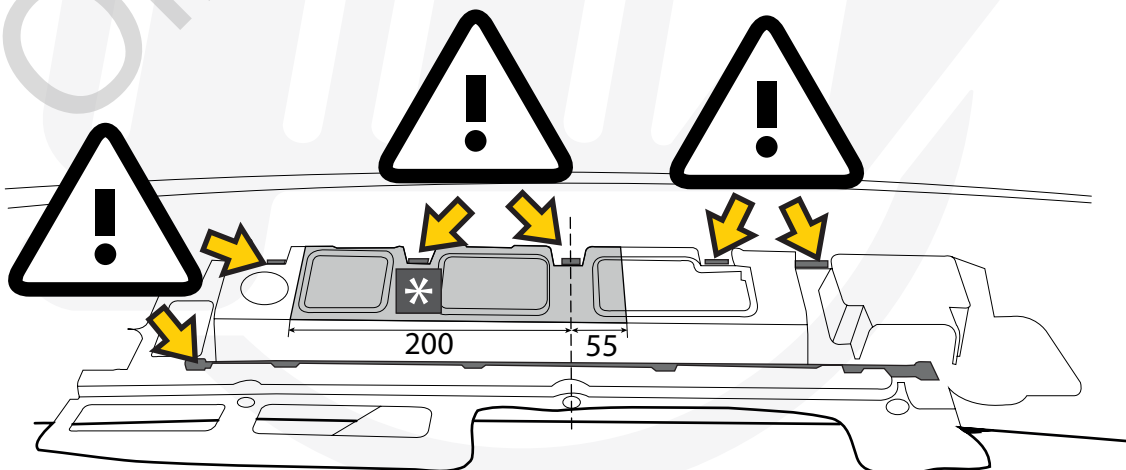
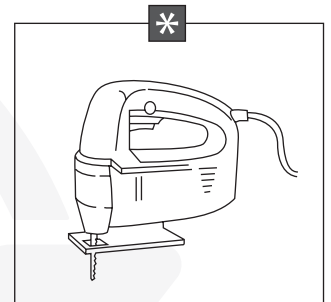
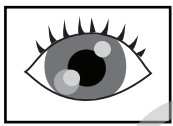
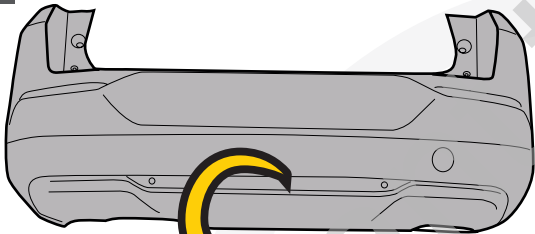
19



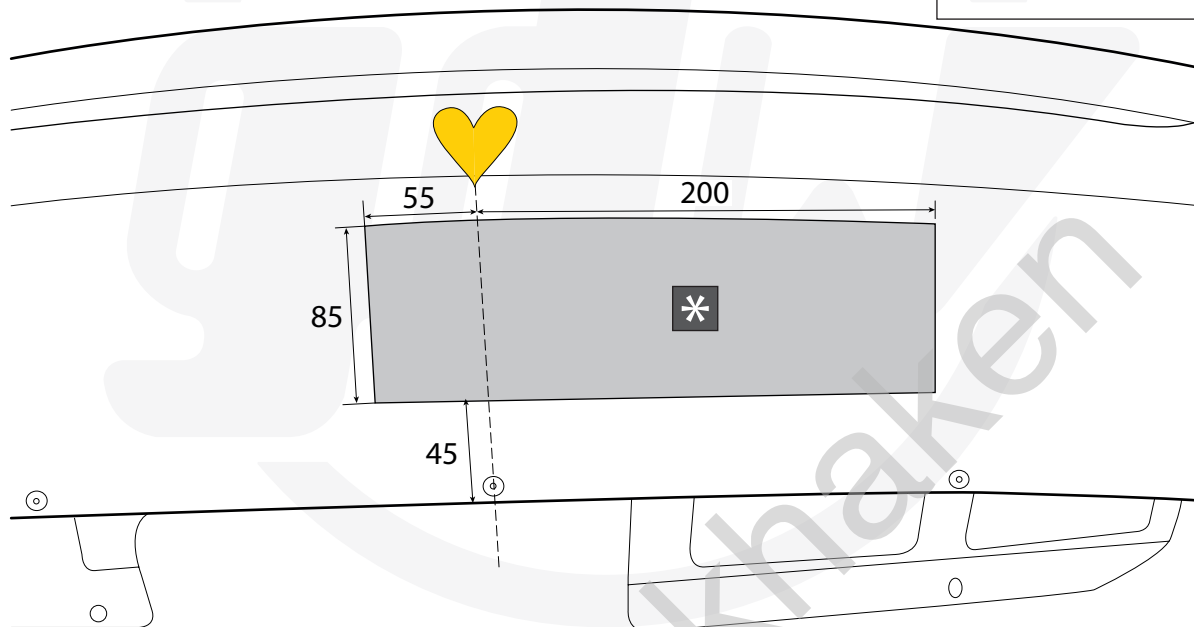
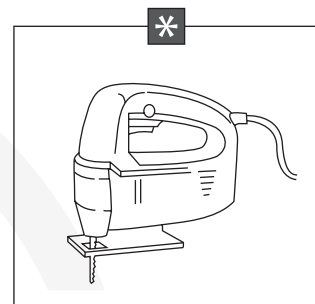
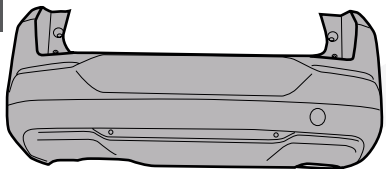
93,0 Nm



20

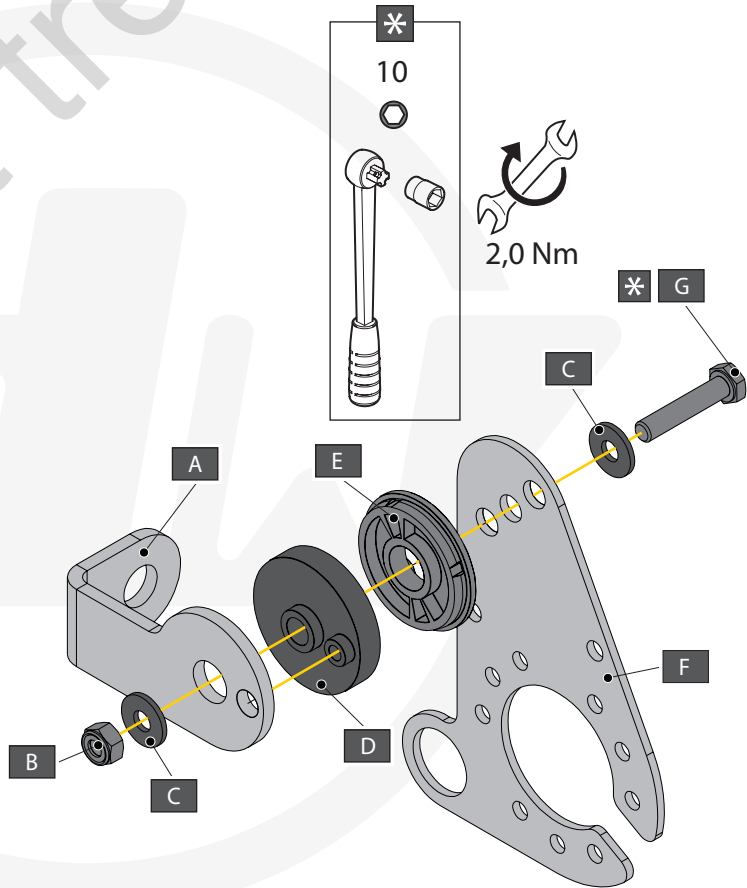


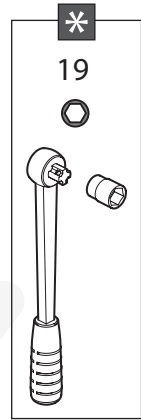
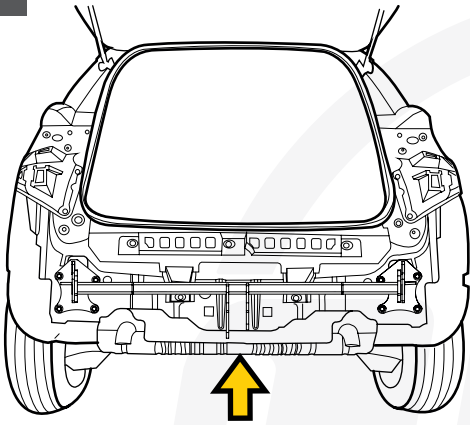
21



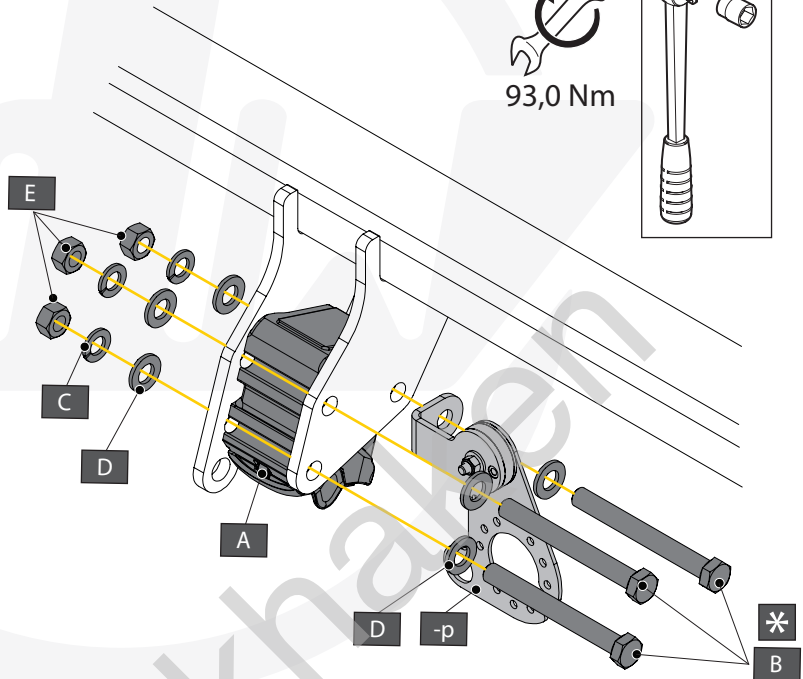
22

A		X1 GDW REF. 908.101
B		X1 DIN985-M6
C		X2 Ø15,4 X 6,2 X 1,6 (NYLON)
D		X1 GDW REF. 718.16.002
E		X1 GDW REF. 718.16.003
F		X1 GDW REF. 908.094
G		X1 DIN933-M6 X 30





93,0 Nm



- | | | | |
|---|--|----|--------------------|
| A | | X1 | GDW REF. 912.003 |
| B | | X3 | DIN931-M12X110-8.8 |
| C | | X3 | DIN128A-M12 |
| D | | X6 | DIN125A-M12 |
| E | | X3 | DIN934-M12 |

