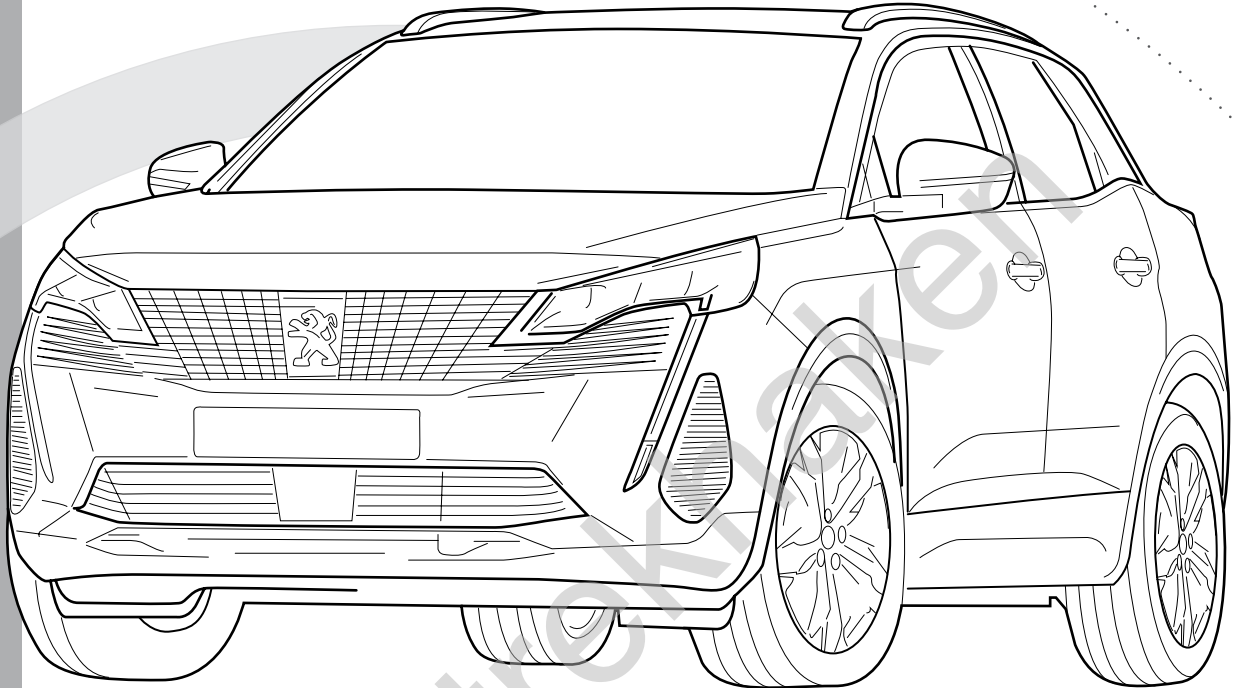
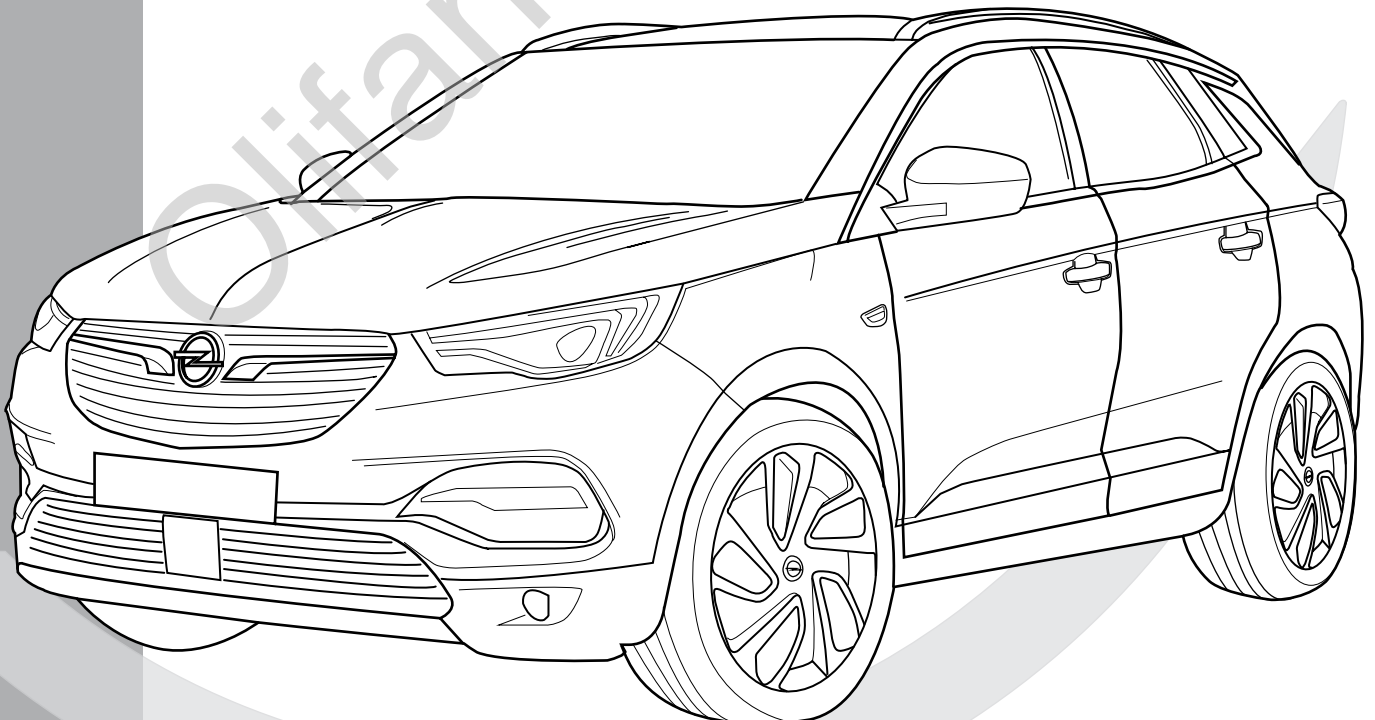


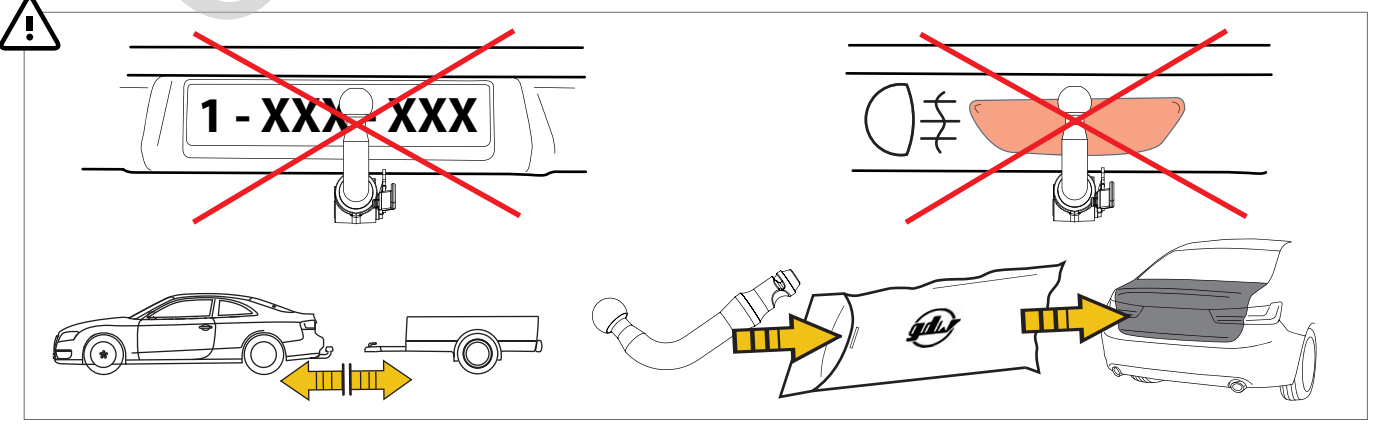
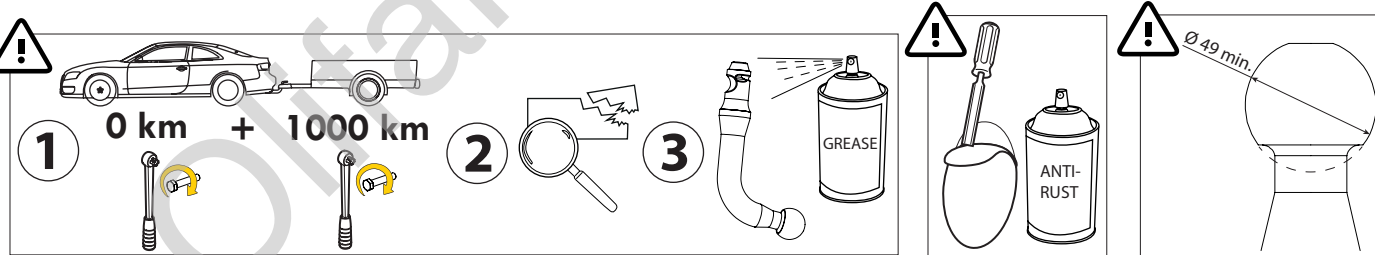
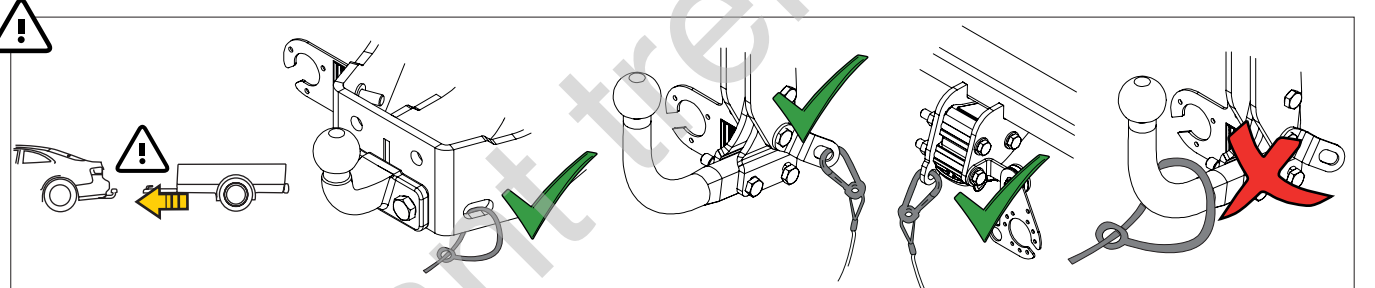
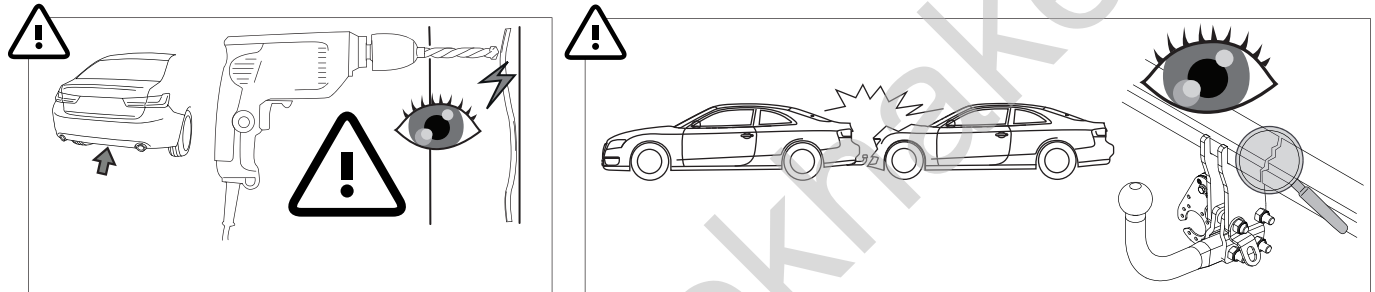
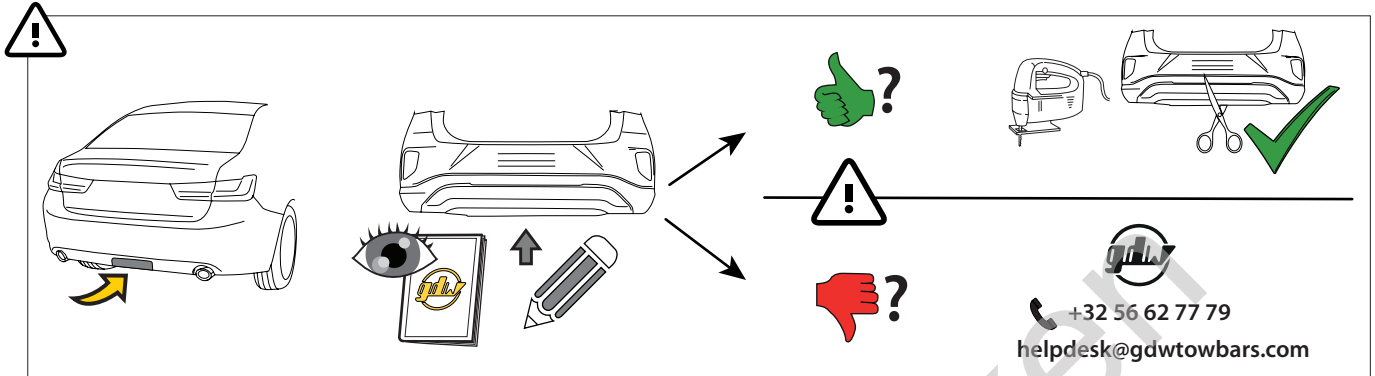
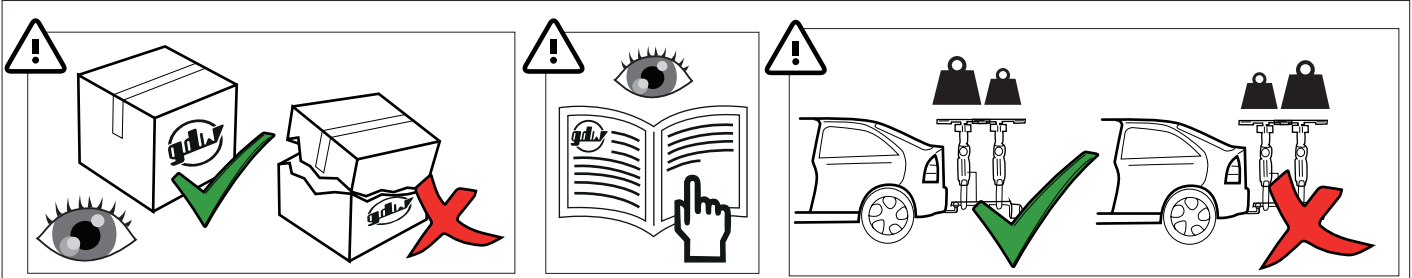


Peugeot 3008 Hybrid (type: M_) 10/'19-



Opel Grandland X Hybrid (type: A18) 06/'19-





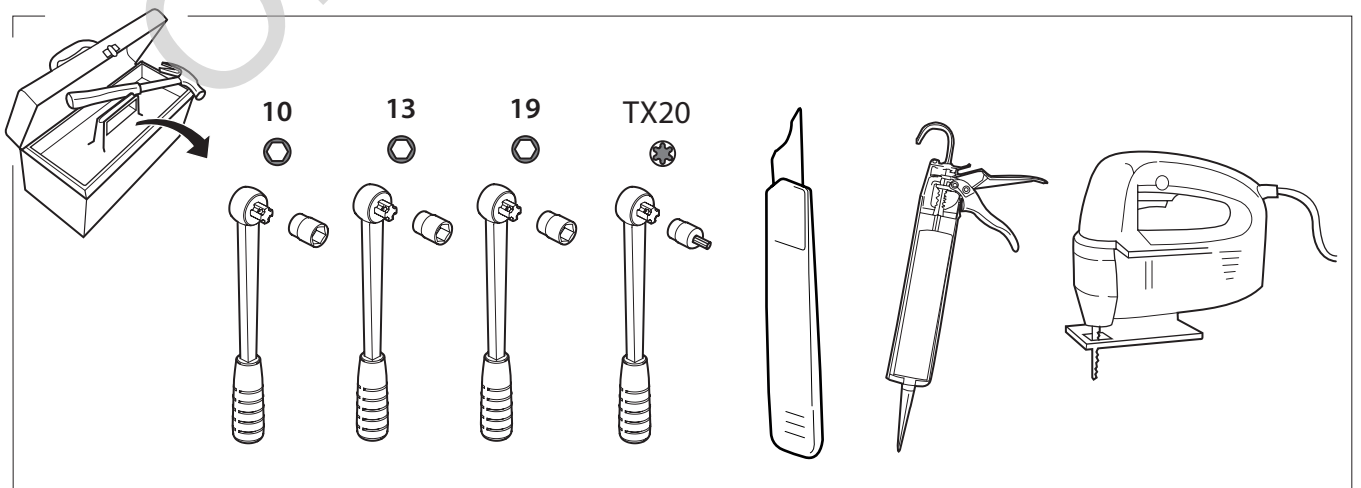
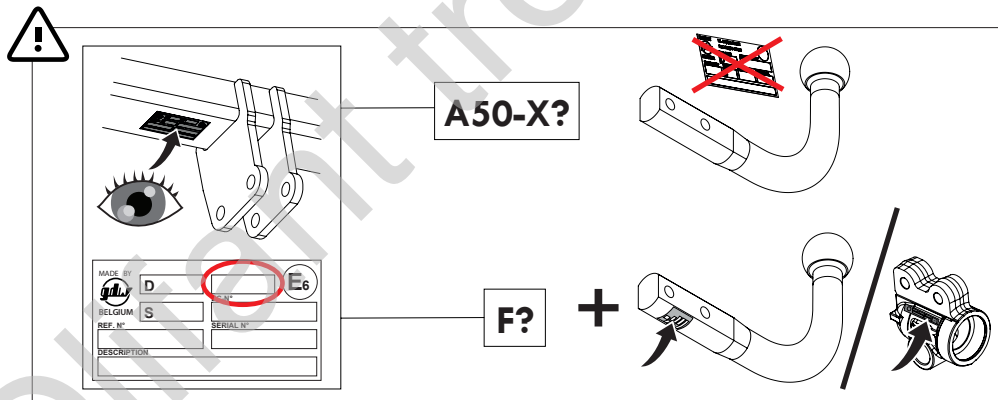
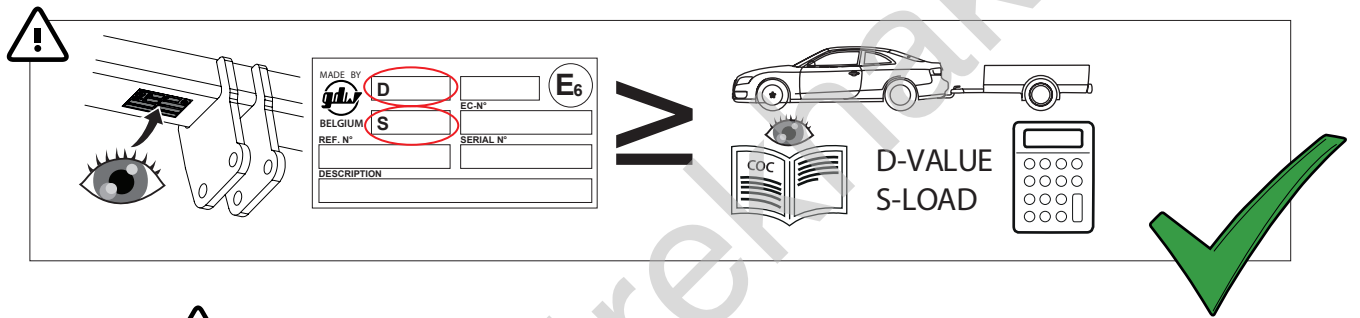
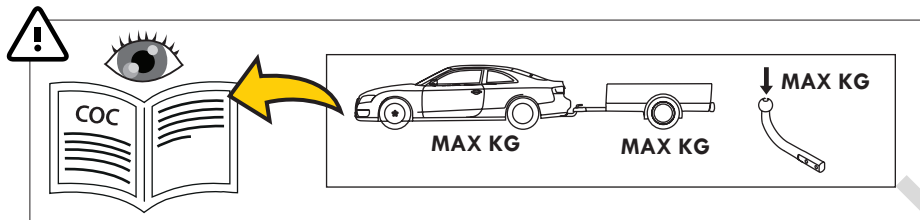
MADE BY 	D 8,25	F	E6
BELGIUM	S 80	EC-N° 55R-02 1709	
REF N° 2611		SERIAL N° XXXX	
DESCRIPTION Peug 3008 & Opel GR Land X HYB			

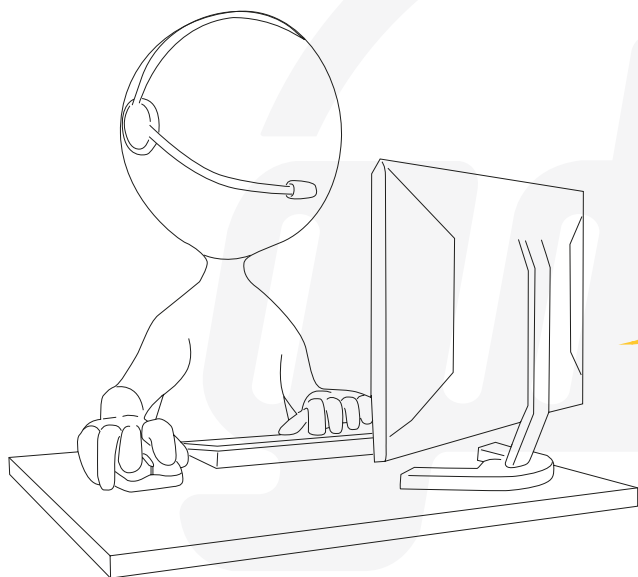
!

D =
$$\frac{\text{max kg (car)} \times \text{max kg (trailer)}}{\text{max kg (car)} + \text{max kg (trailer)}} \times 0.00981 \leq 8,25 \text{ kN}$$

S =
$$\leq 80 \text{ kg} \quad \leq 1300 \text{ kg}$$

See the Certificate Of Conformity (COC) of your vehicle or contact your dealer to verify the max. trailer weight of your car!

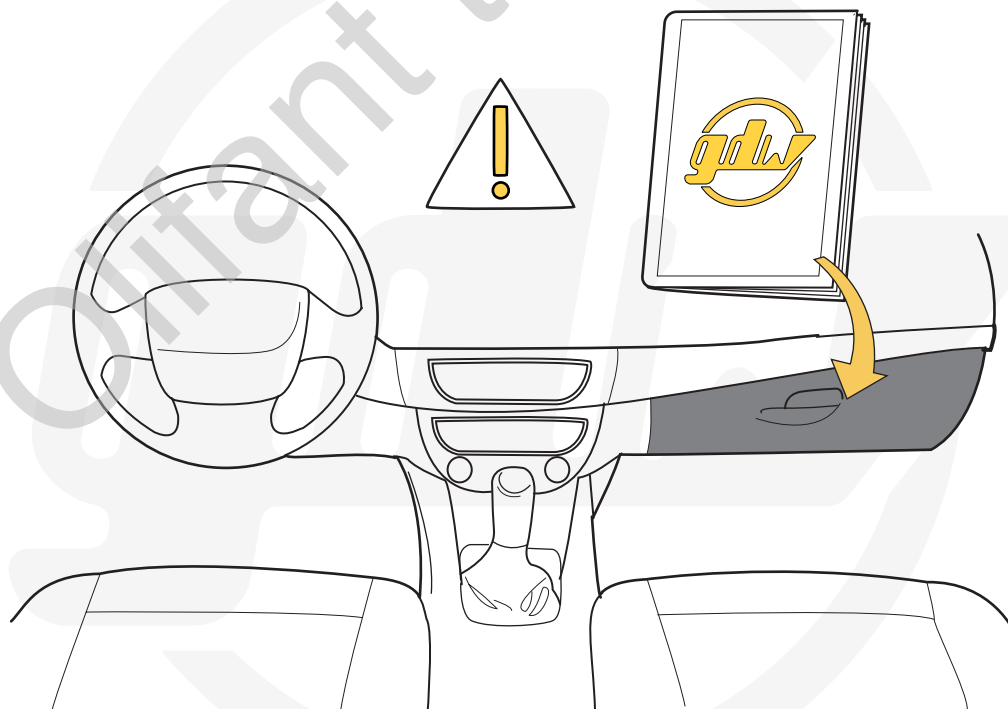


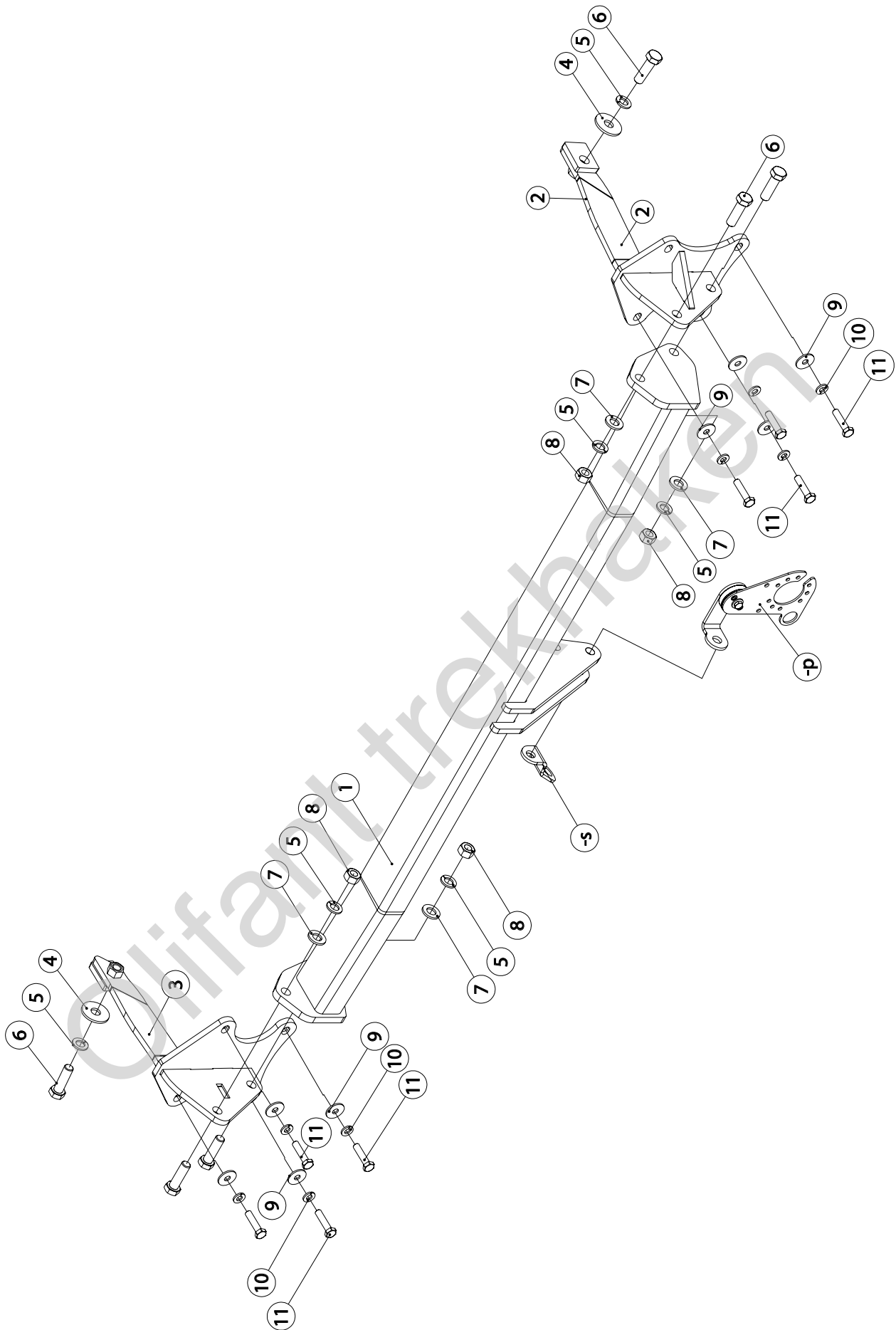


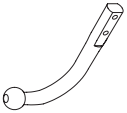



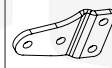
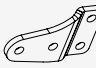
helpdesk@gdwtowbars.com

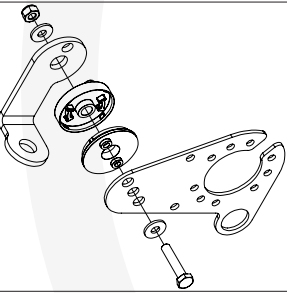




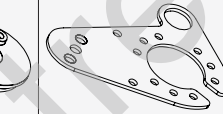

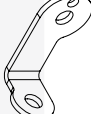
+32 56 62 77 79

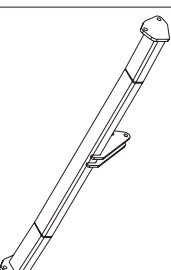
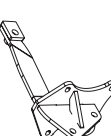
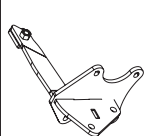









Monday	08:00 - 12:00	12:30 - 16:30
Tuesday	08:00 - 12:00	12:30 - 16:30
Wednesday	08:00 - 12:00	12:30 - 16:30
Thursday	08:00 - 12:00	12:30 - 16:30
Friday	08:00 - 12:00	12:30 - 15:30






Geleverd met - Livré avec - Delivered with Geliefert mit - Elementos adjuntos - Leverages med - Forniti insieme	
	X1 944.L000
	X4 DIN931-M12 X 70
	X4 DIN985-M12
	GDW REF. 900.011 Ø 21,3 X 11,7
	X1 GDW REF. 900.025
	X1 GDW REF. 900.026

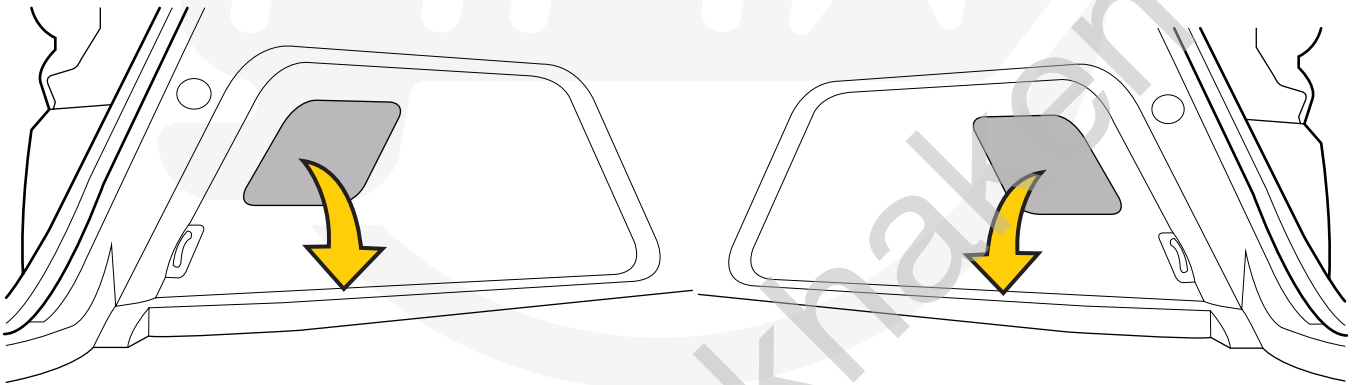
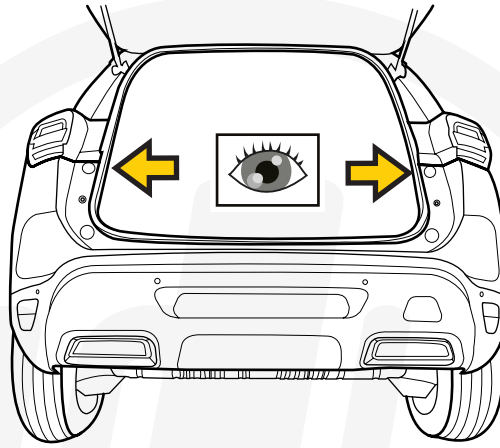
	X1	GDW REF. P46
	X1	DIN985-M6
	X2	6,2 X 15,4 X 1,6 (NYLON)
	X1	GDW REF. 718.16.002
	X1	GDW REF. 718.16.003
	X1	GDW REF. 908.094
	X1	DIN933-M6 X 30
	X1	GDW REF. 908.101

1		X1	GDW REF. 2611
2		X2	GDW REF. 2
3		X1	GDW REF. 3
4		X2	DIN9021-M12-ELVZ
5		X6	DIN128A-M12
6		X6	DIN933-M12X40
7		X4	DIN125-A12-140HV-ELVZ
8		X4	DIN934-M12
9		X8	DIN9021-M8-ELVZ
10		X8	DIN128A-M8
11		X8	DIN933-M8X35
-5		X1	GDW REF. 900.053

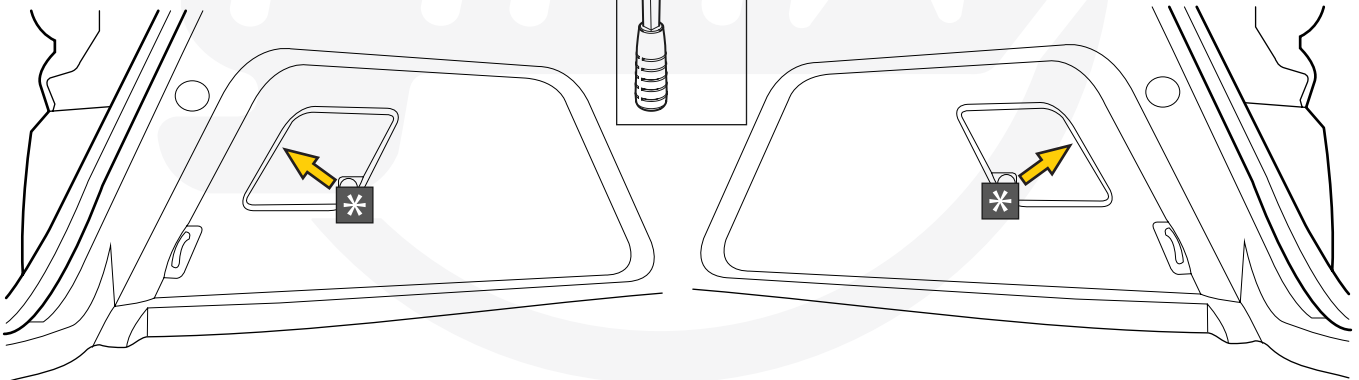
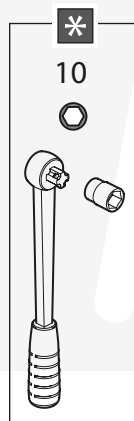
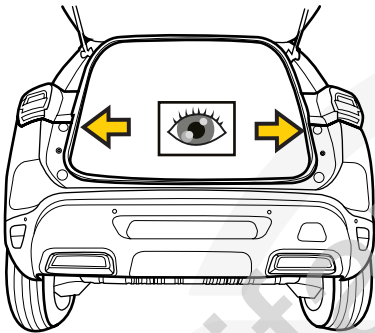
OPTION T38

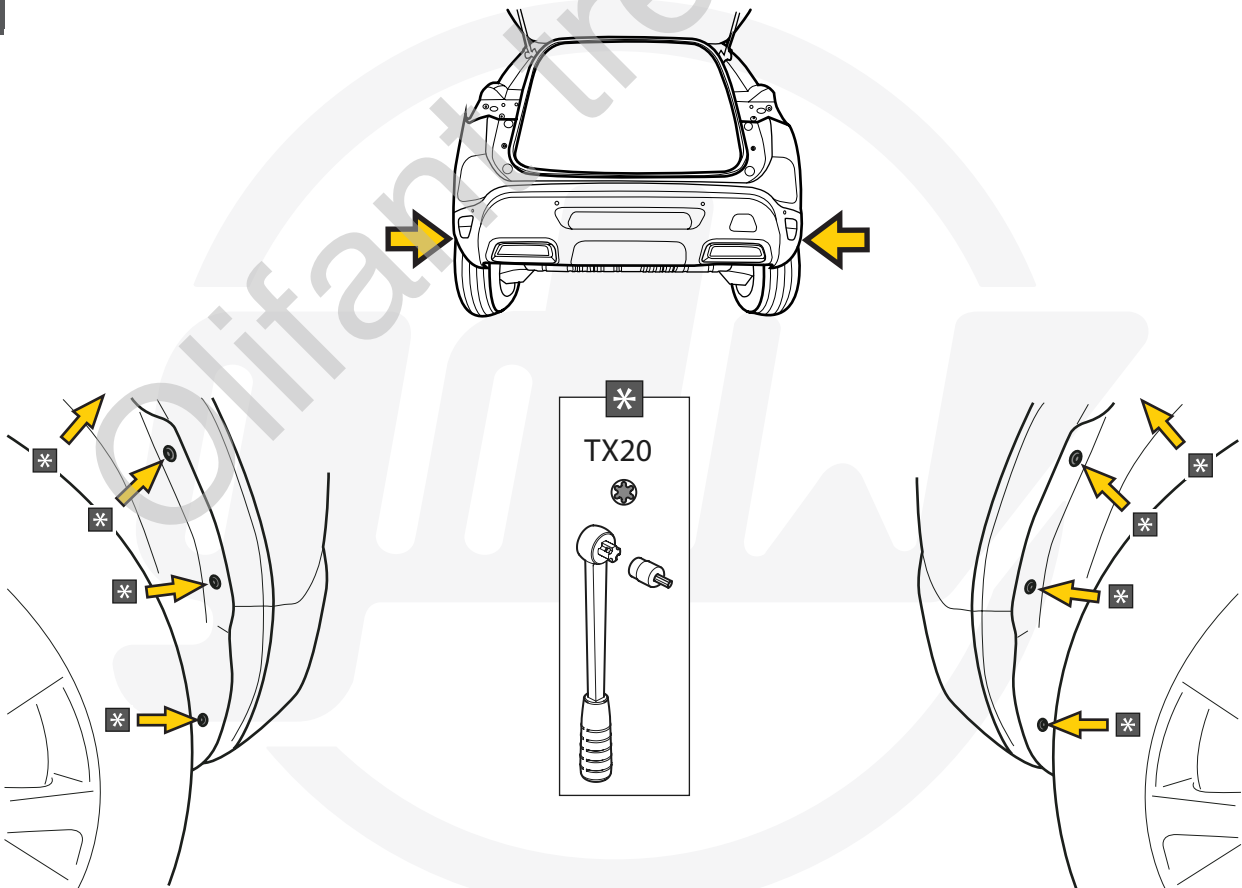
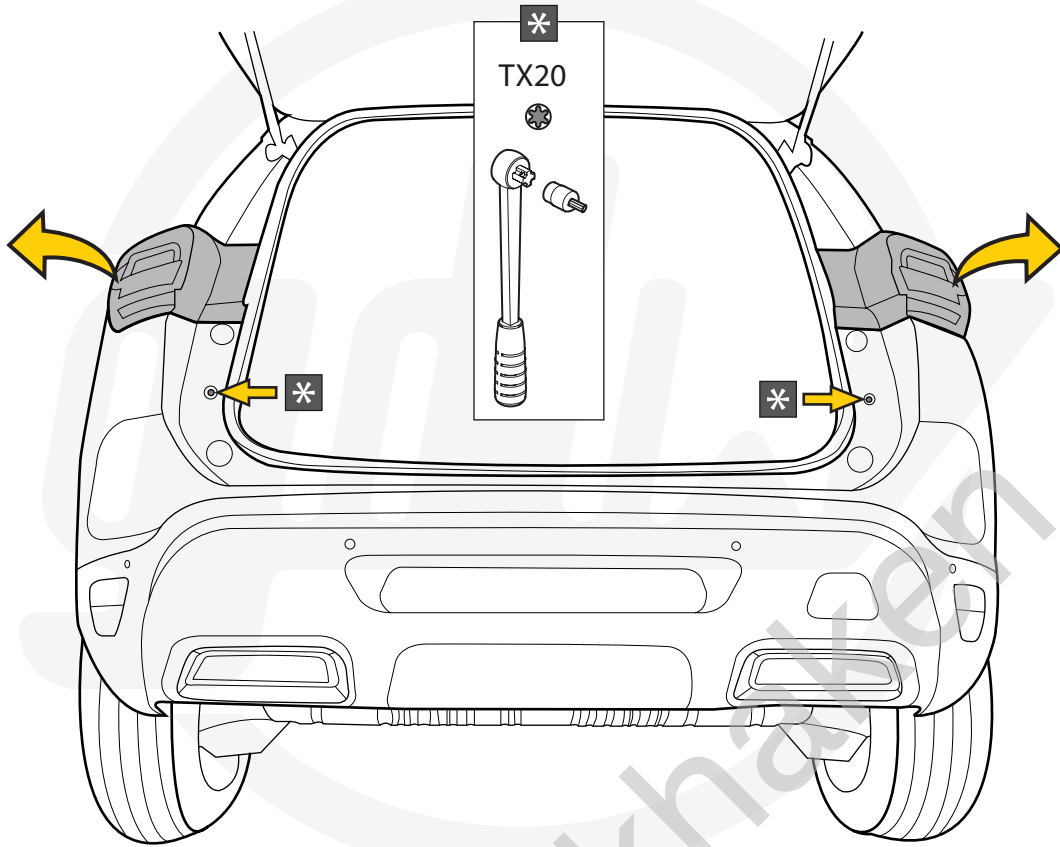
	X1	KIT38-2611
---	----	------------

1

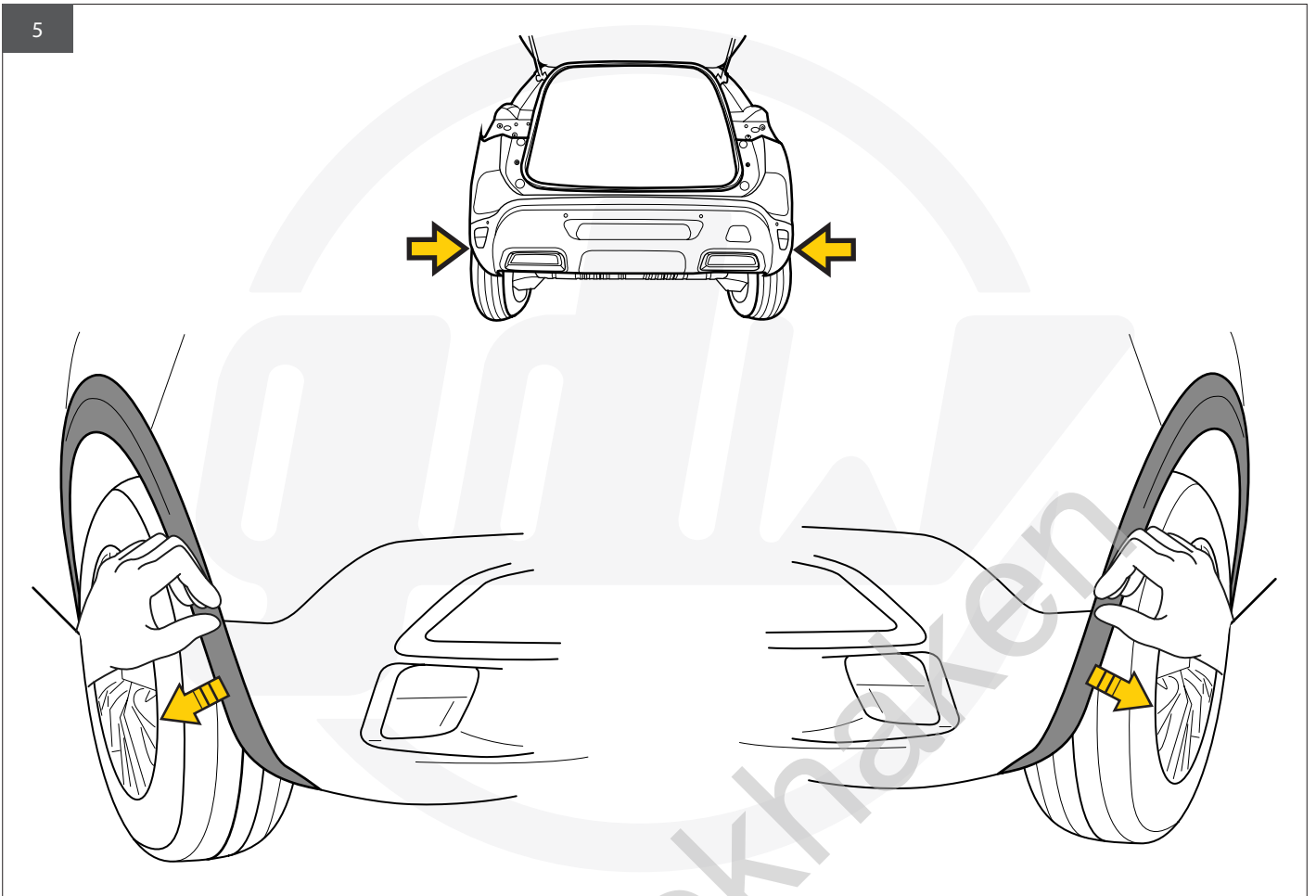


2

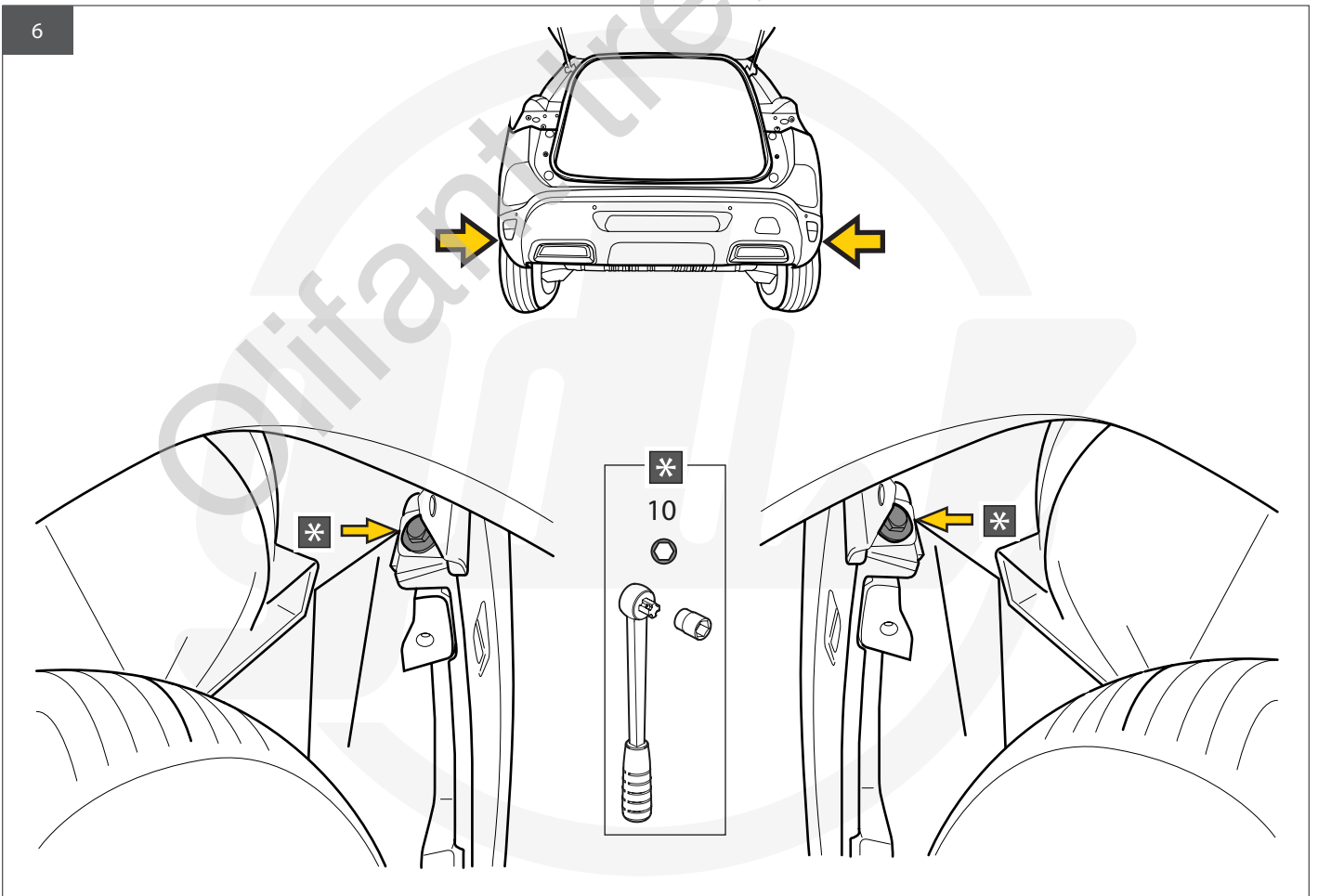




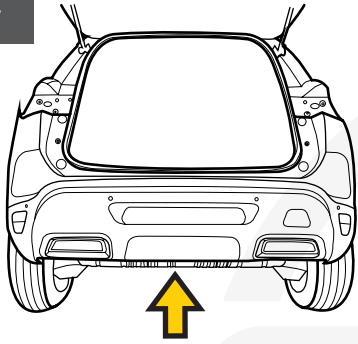
5



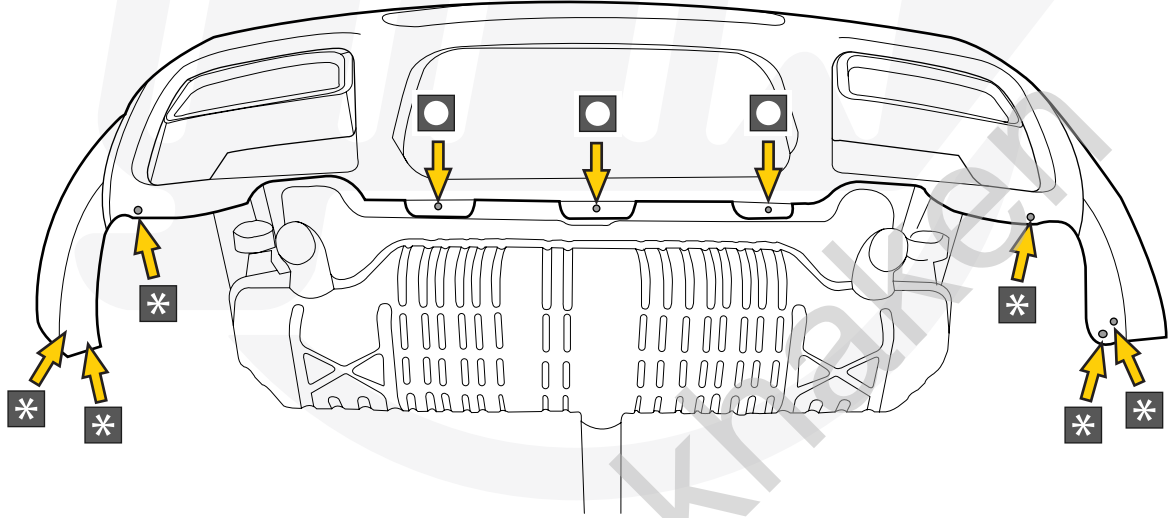
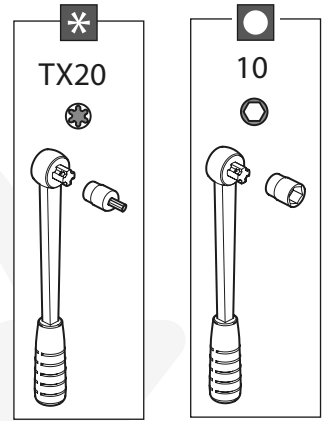
6



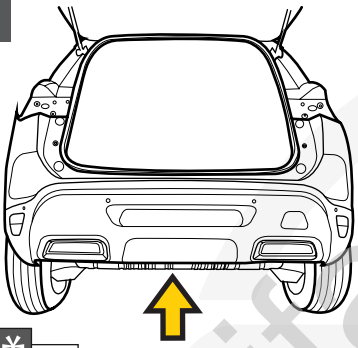
7



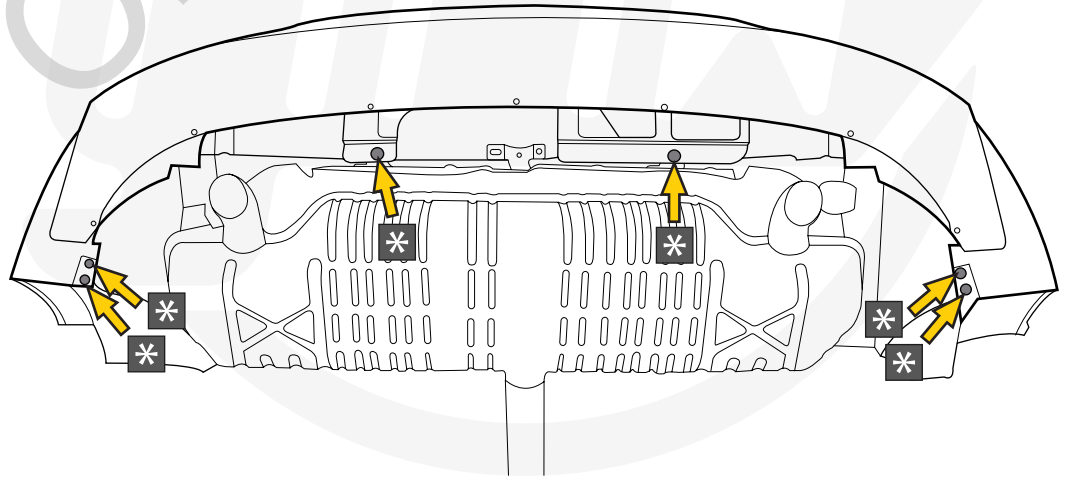
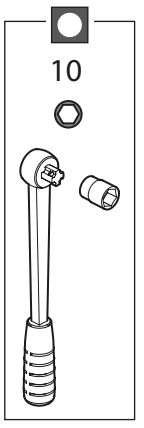
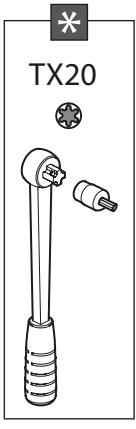
PEUGEOT 3008 HYBRID



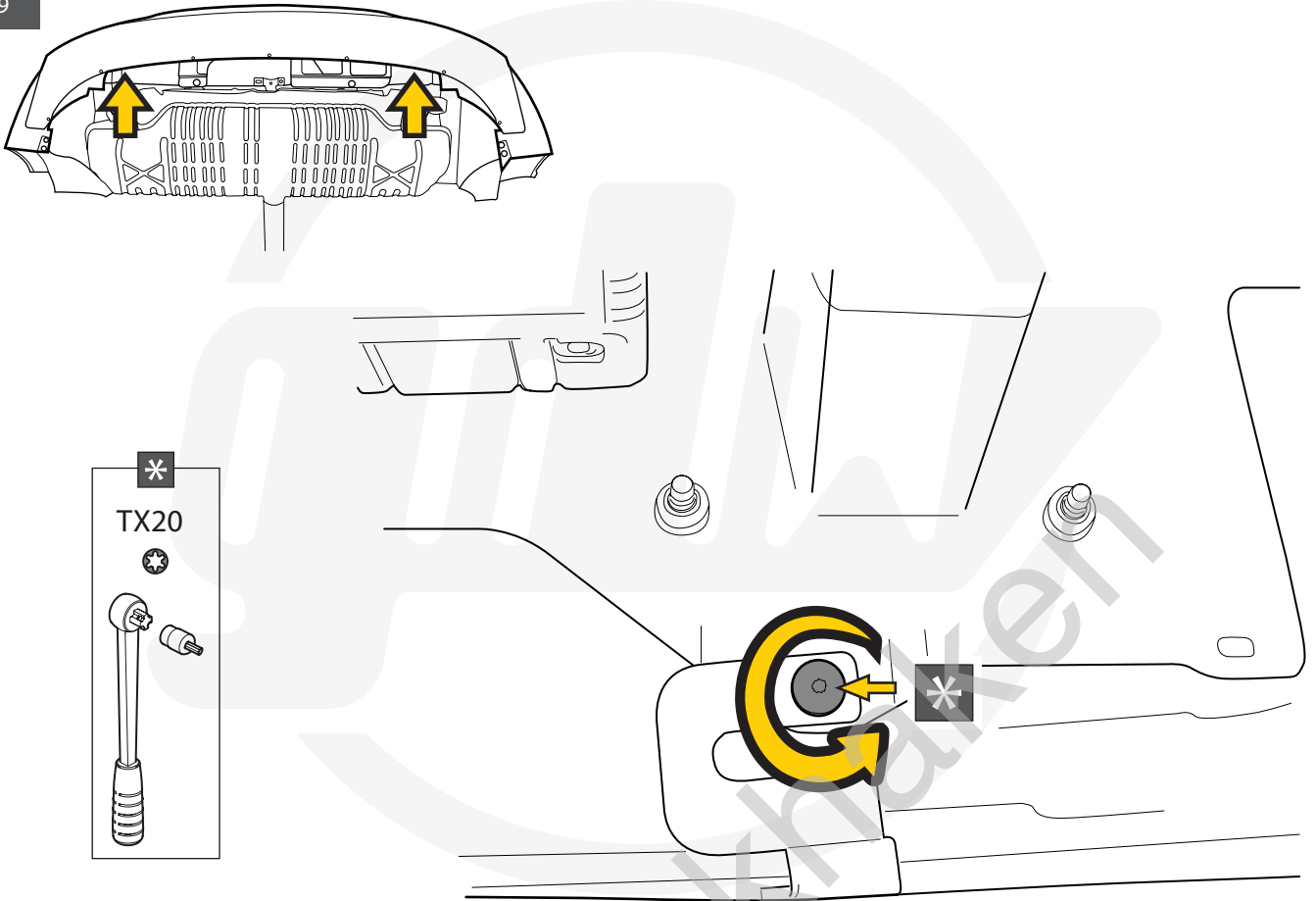
8



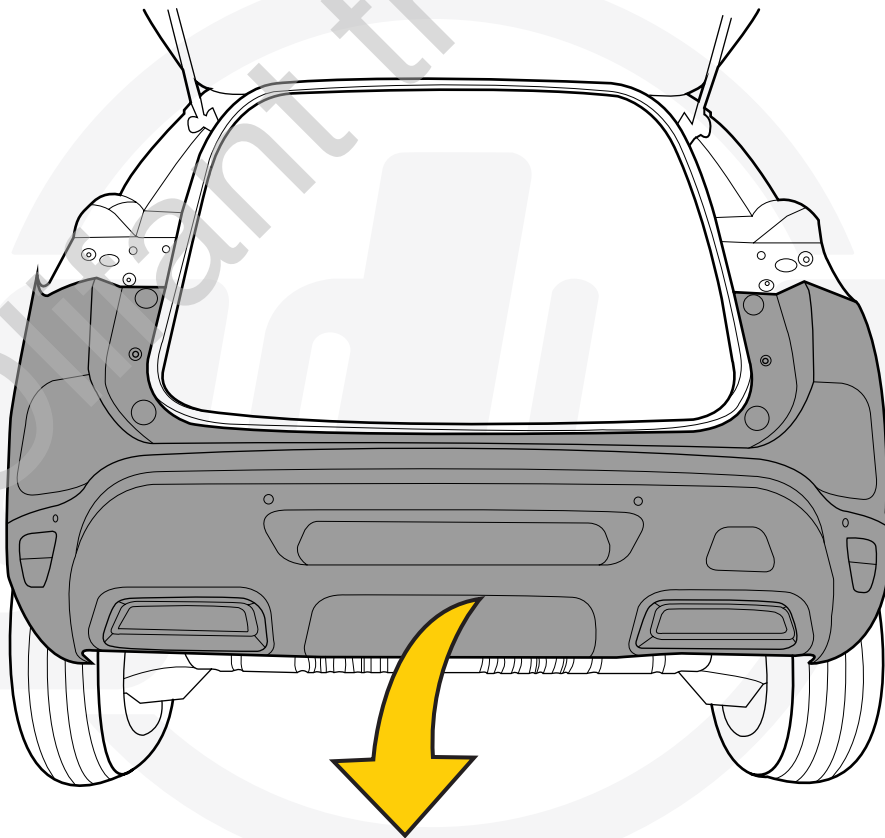
OPEL GRANDLAND X HYBRID

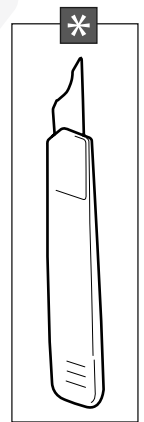
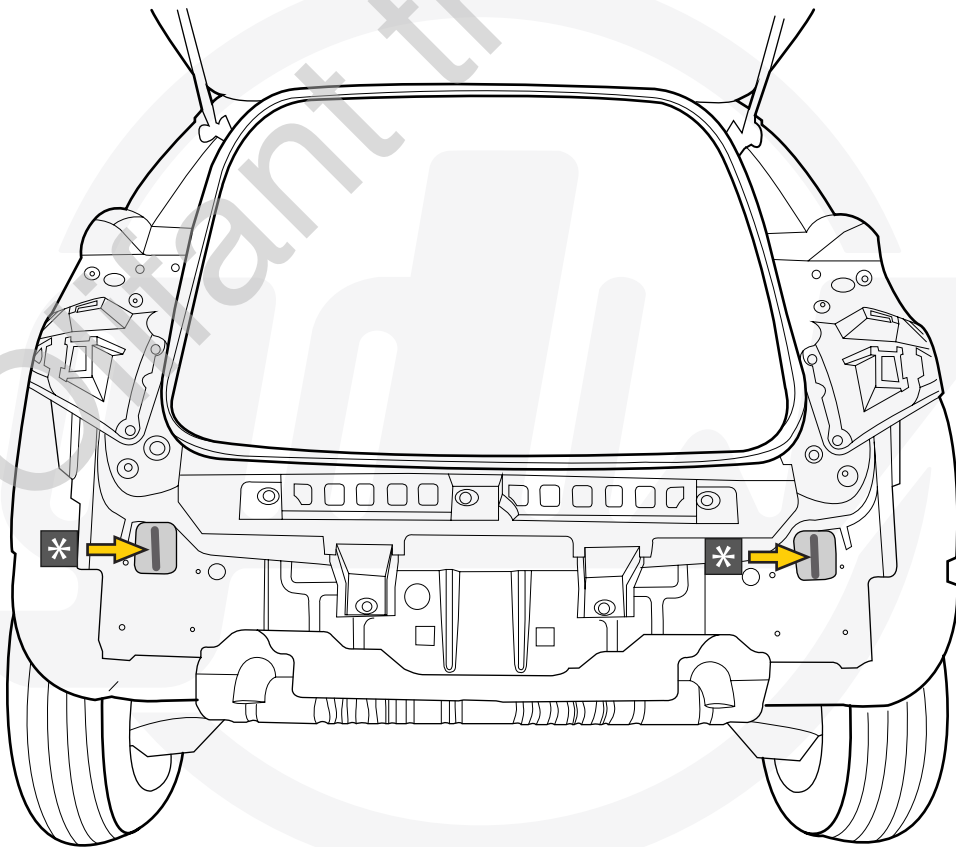
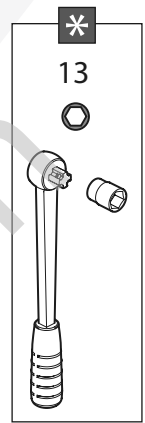
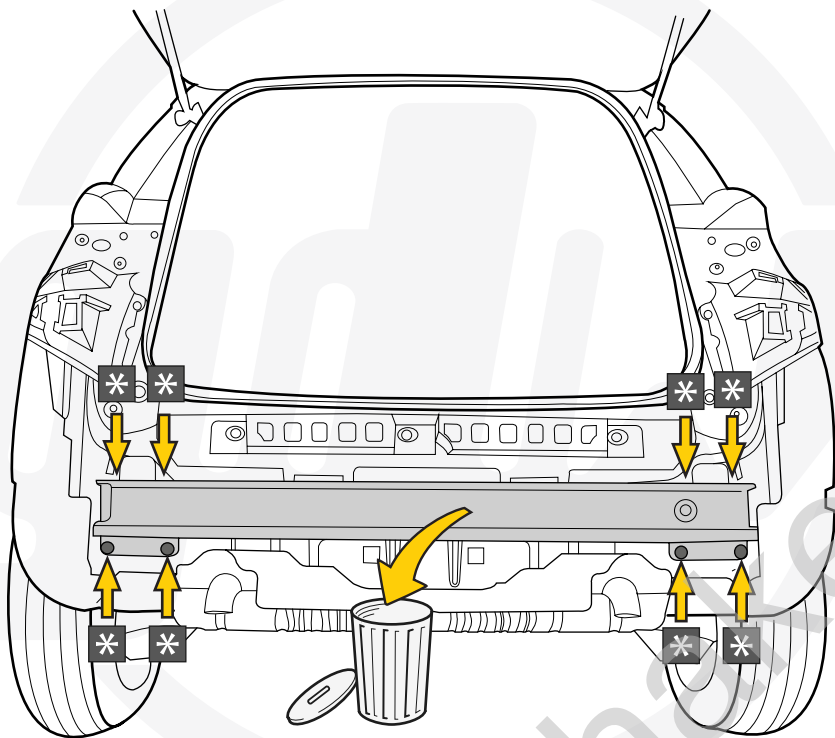


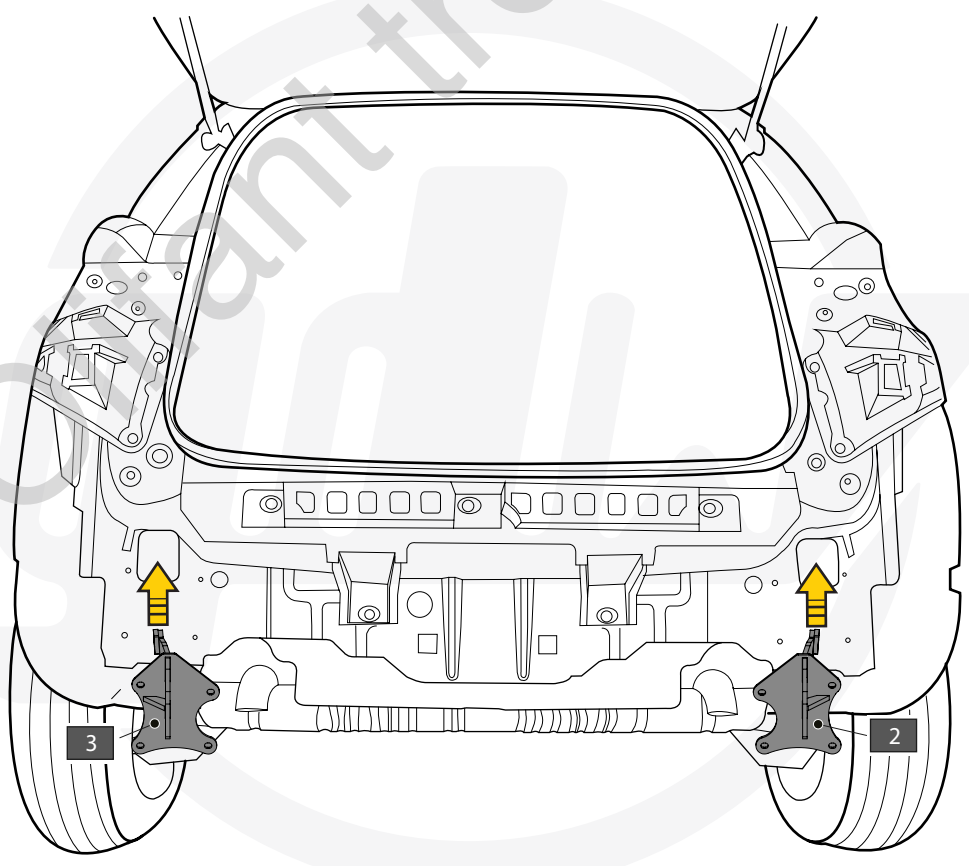
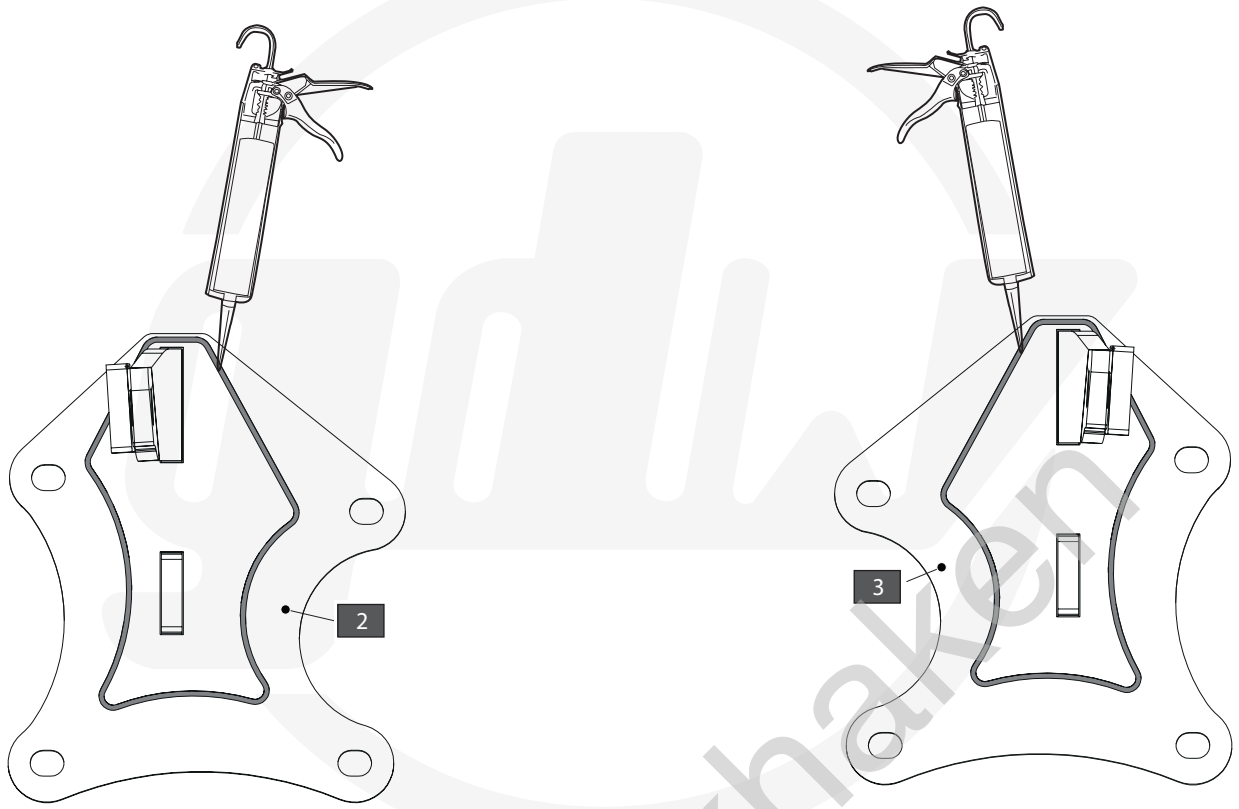
9



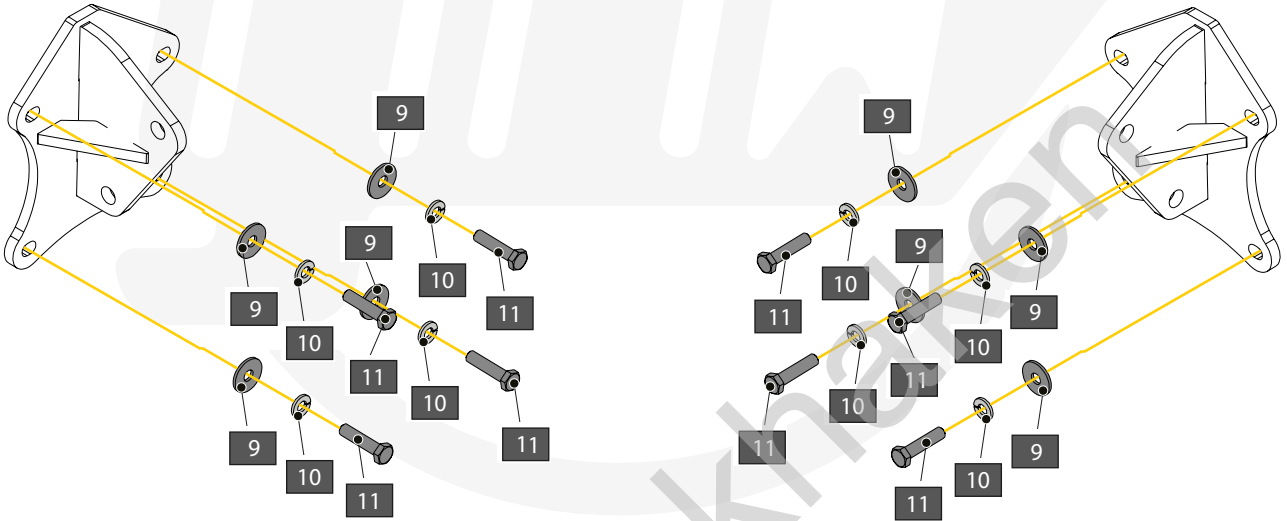
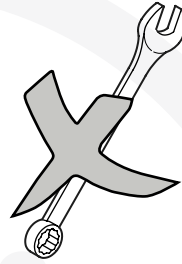
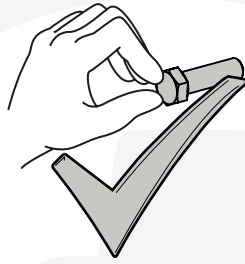
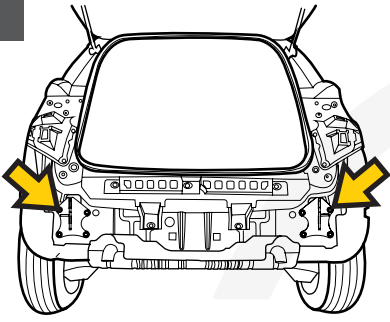
10



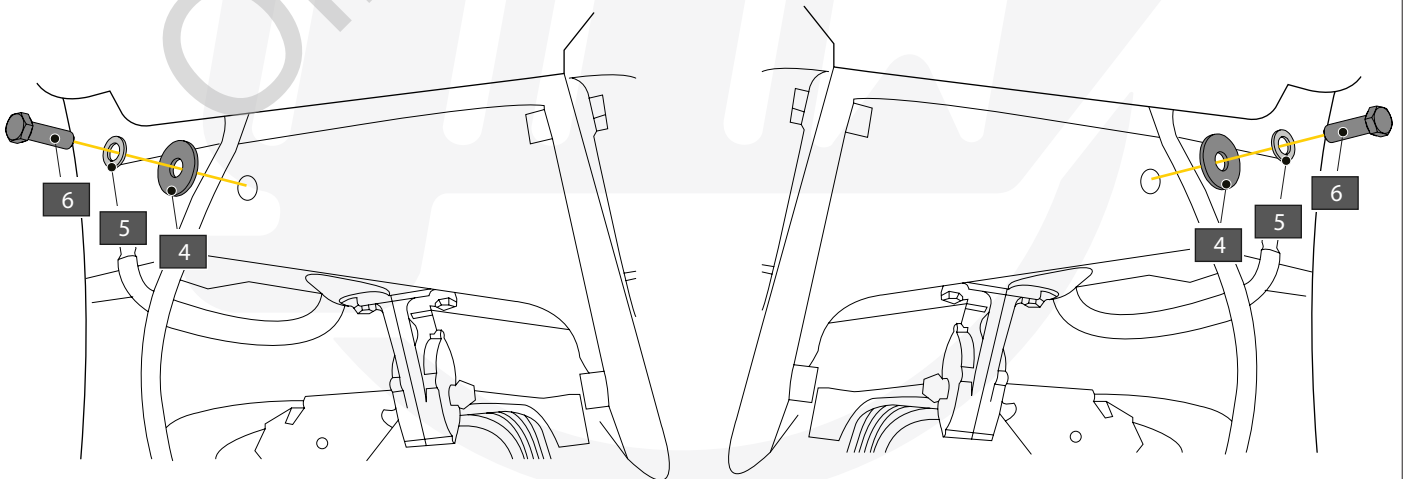
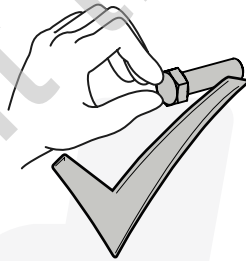
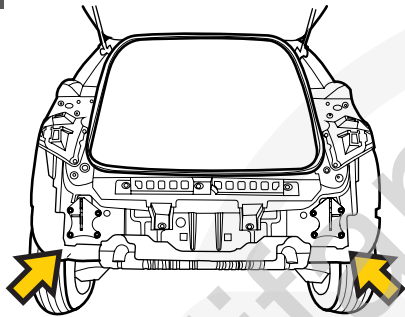


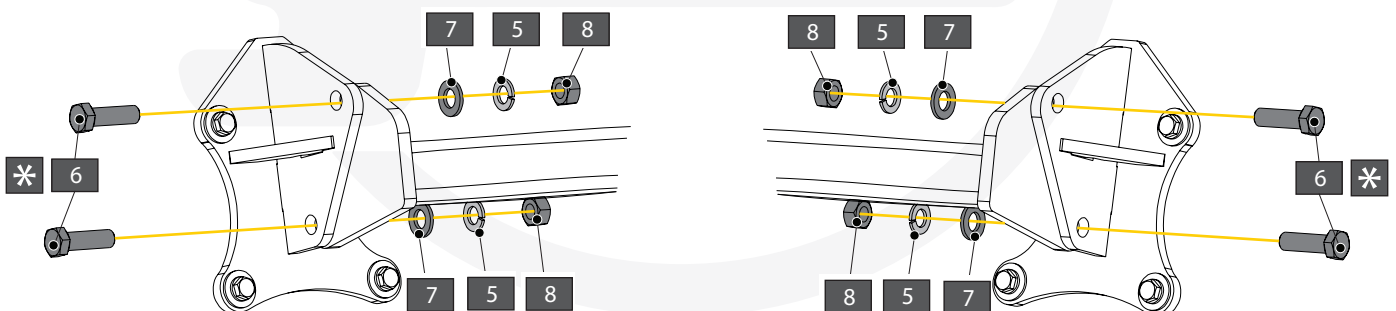
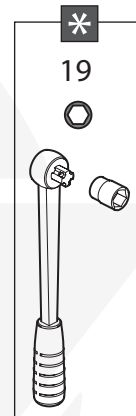
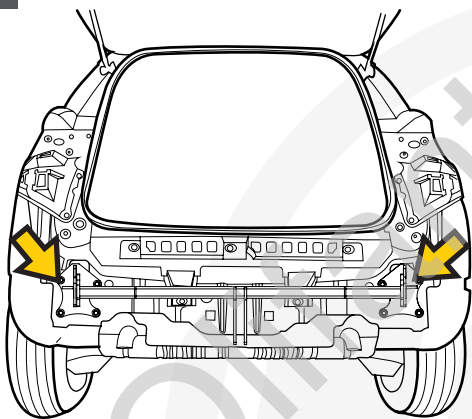
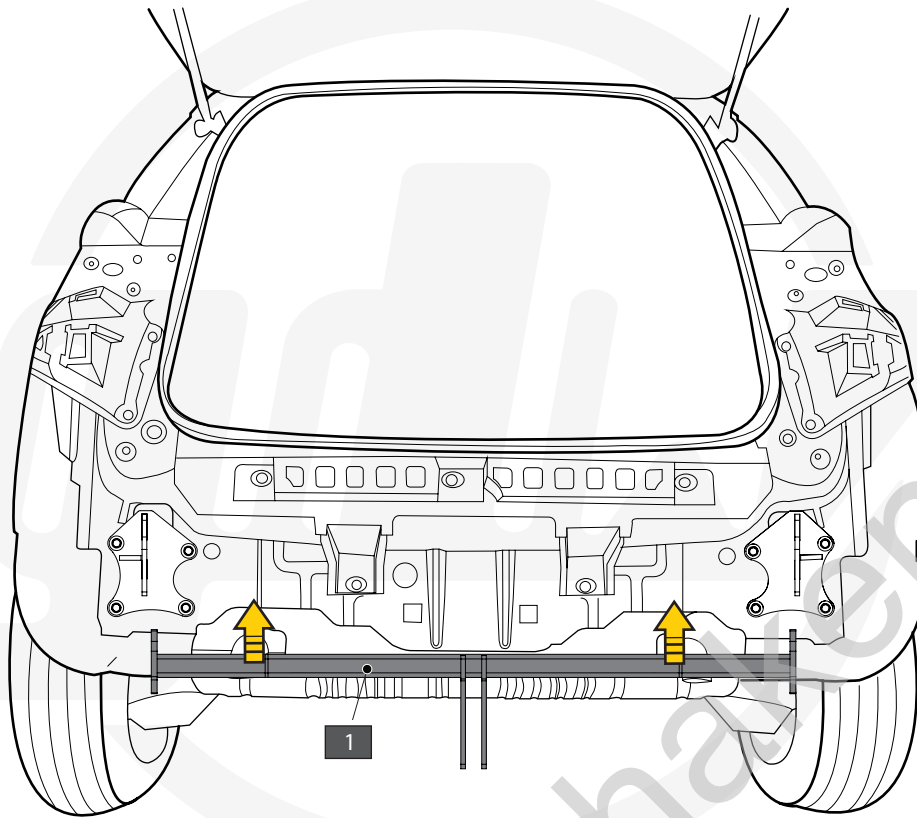


15

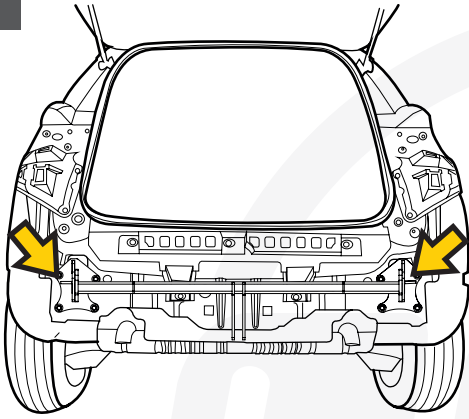


16

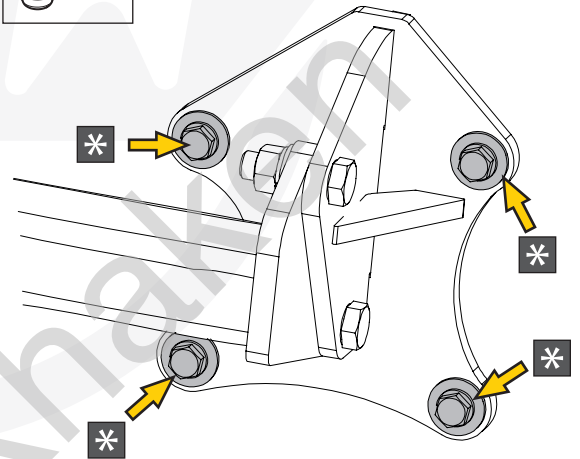
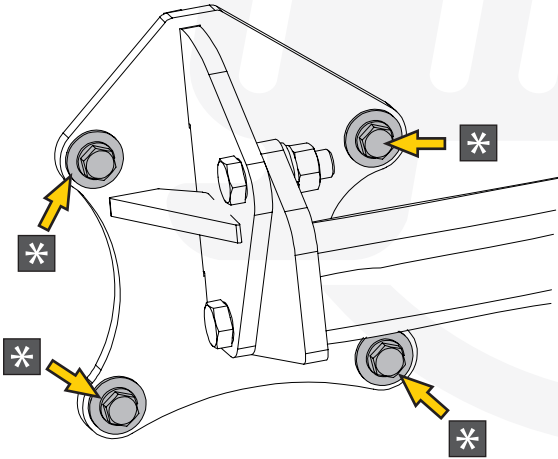
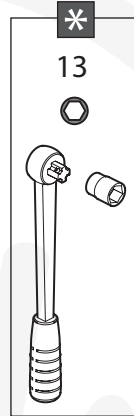




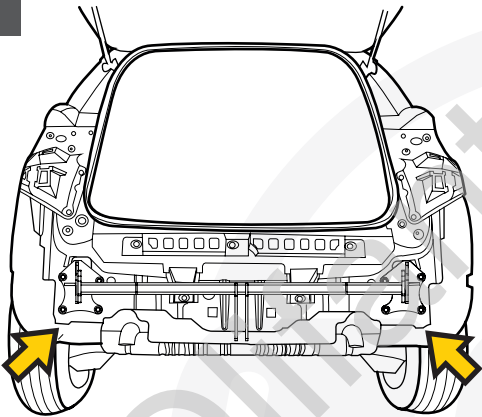
19



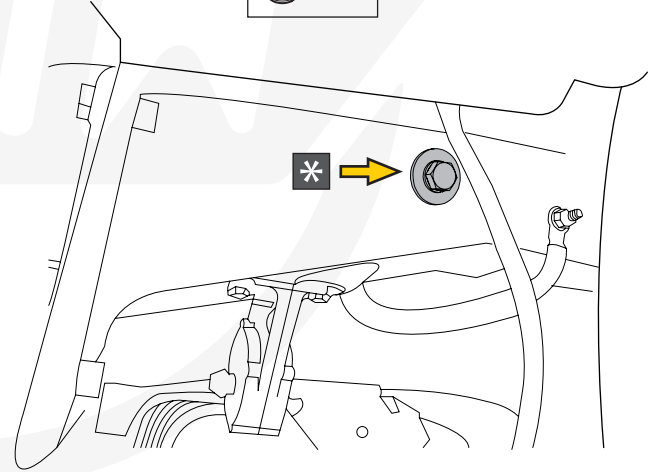
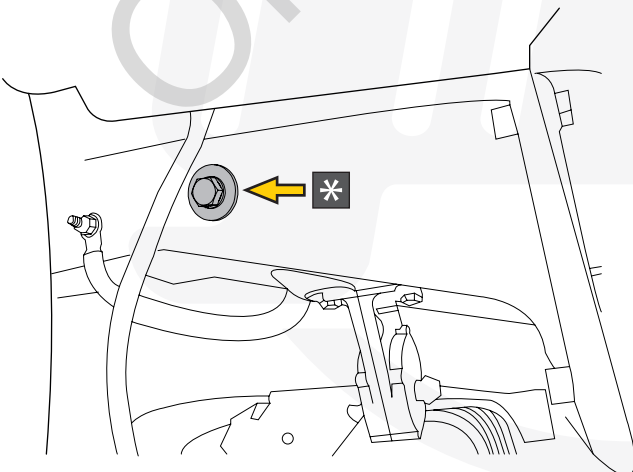
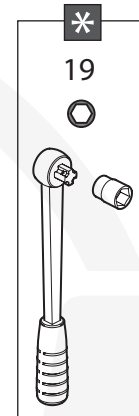

27,3 Nm



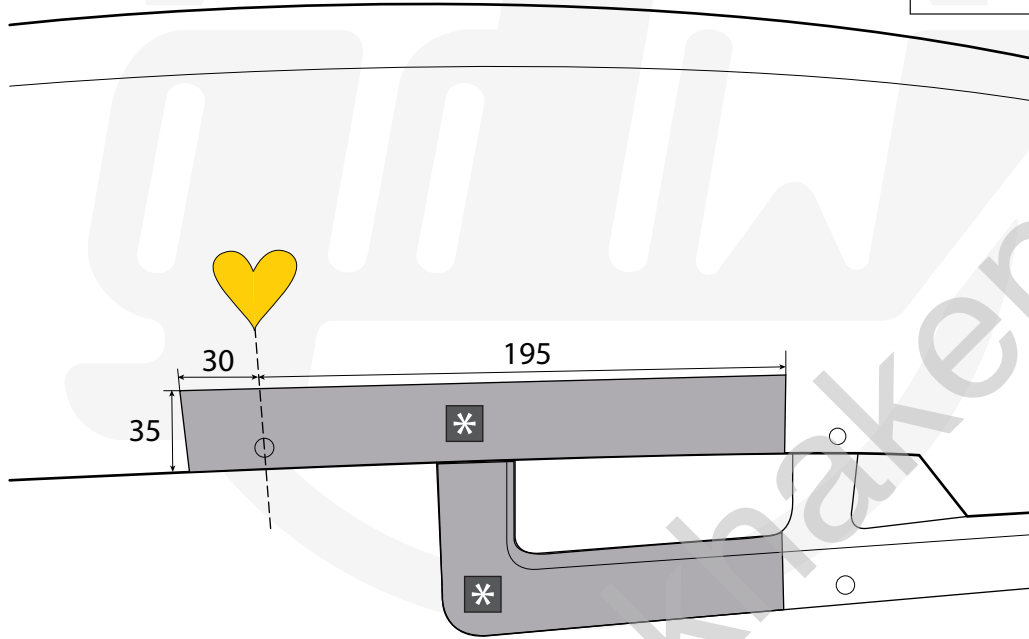
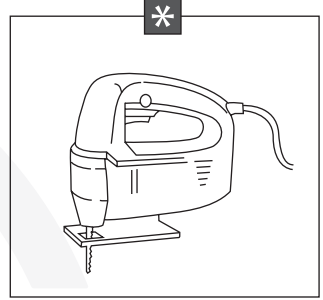
20



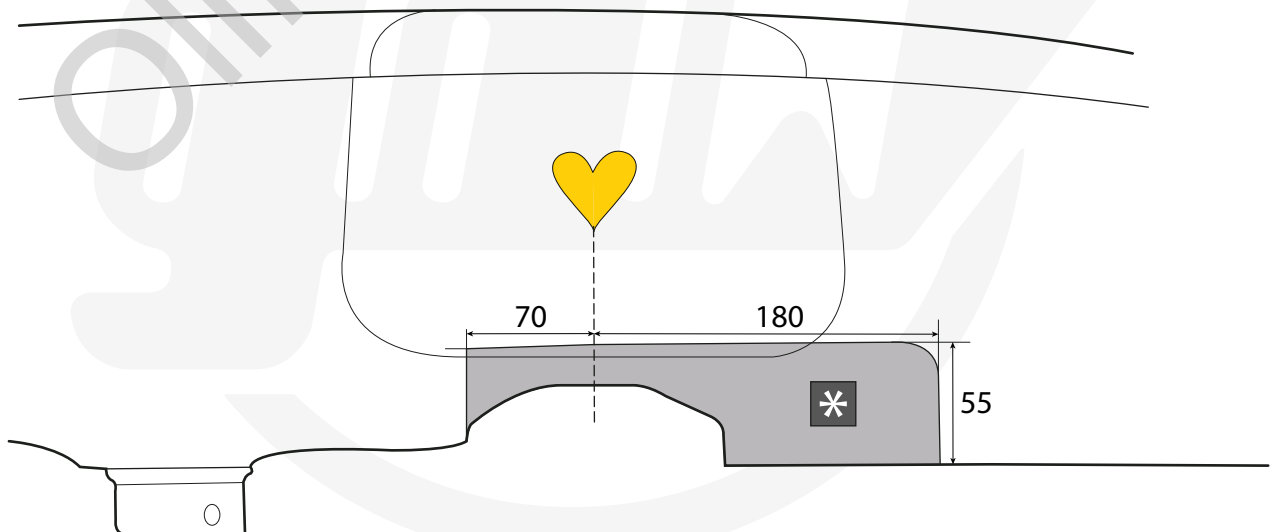
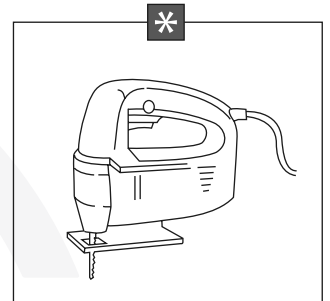

93,0 Nm

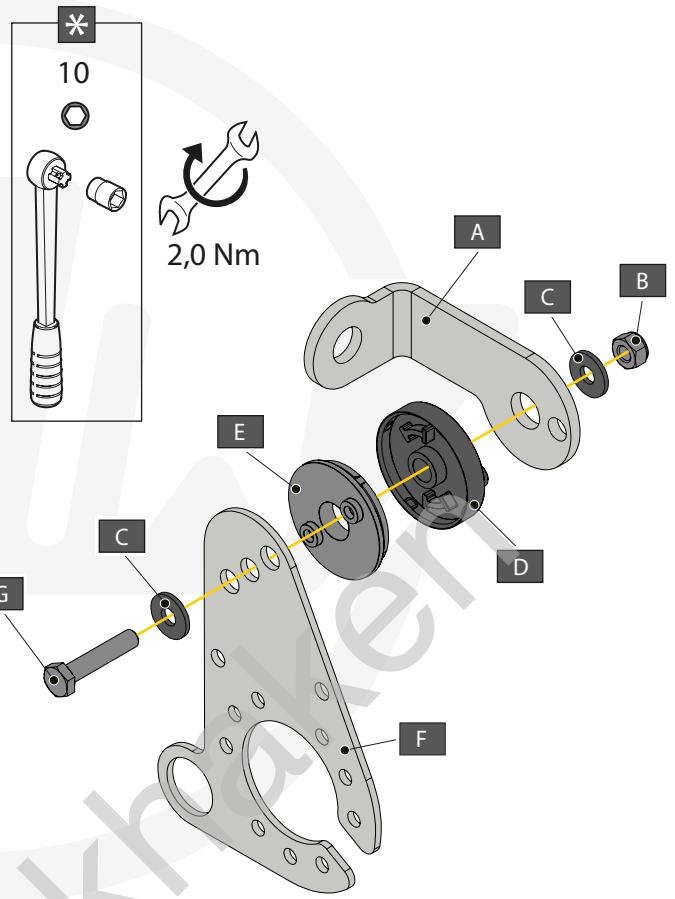


OPEL GRANDLAND X HYBRID

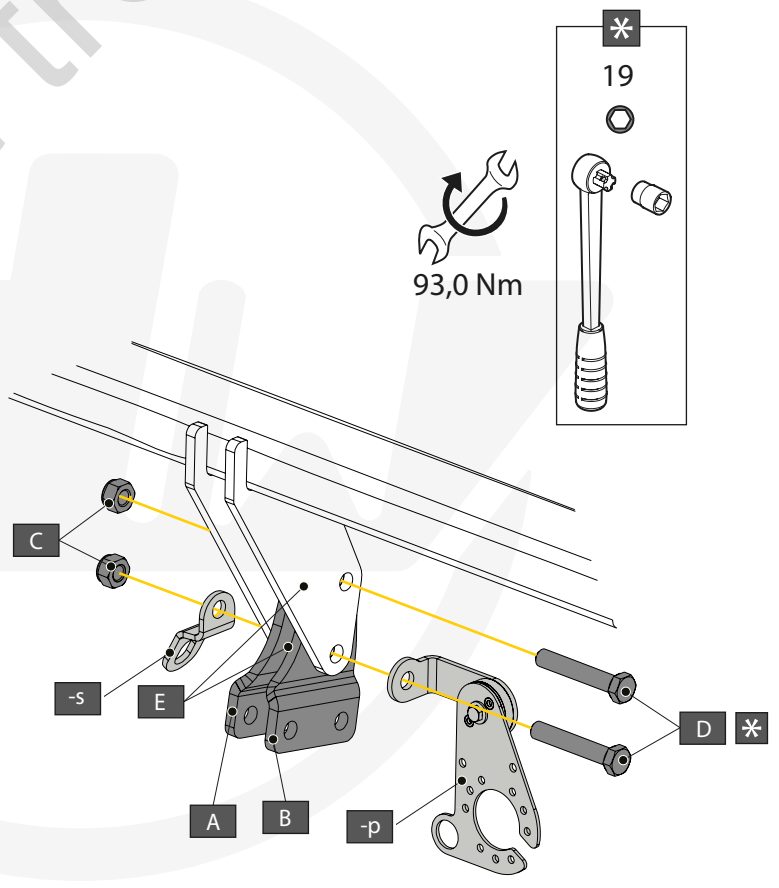
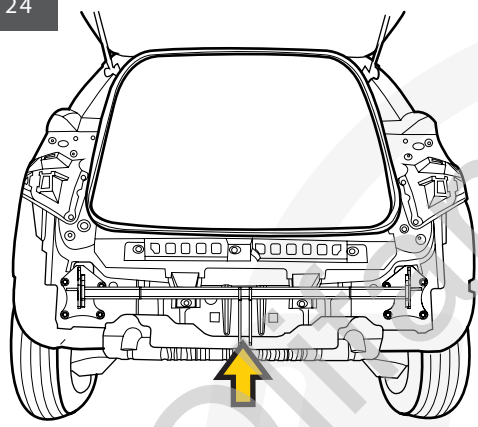


PEUGEOT 3008 HYBRID

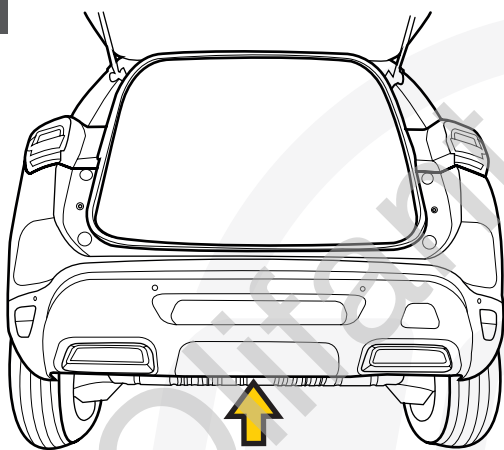
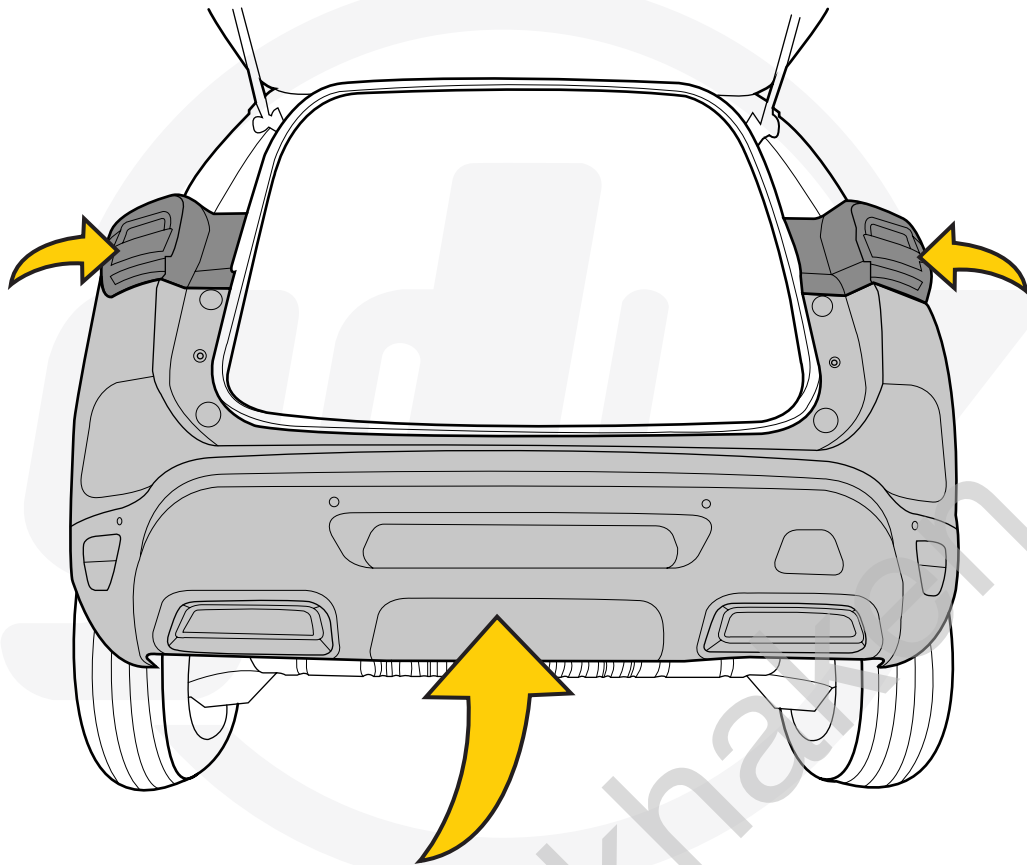




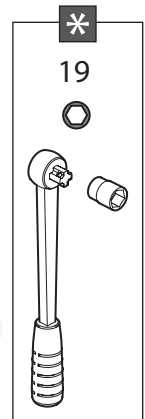
A		X1	GDW REF. 908.101
B		X1	DIN985-M6
C		X2	Ø15,4 X 6,2 X 1,6 (NYLON)
D		X1	GDW REF. 718.16.002
E		X1	GDW REF. 718.16.003
F		X1	GDW REF. 908.094
G		X1	DIN933-M6 X 30

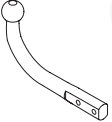
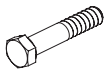



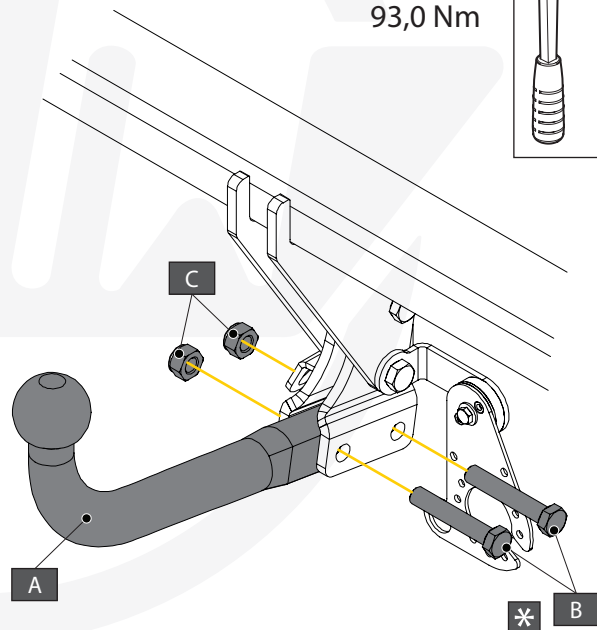
A		X1	GDW REF. 900.025
B		X1	GDW REF. 900.026
C		X2	DIN985-M12
D		X2	DIN931-M12 X 70
E		X2	GDW REF. 900.011
-S		X1	GDW REF. 900.053

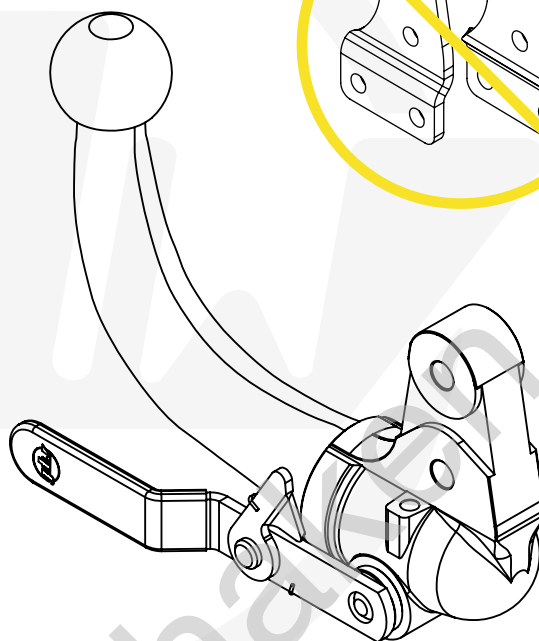
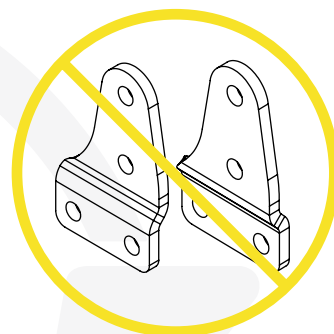


 93,0 Nm



- | | | | |
|---|---|----|-----------------|
| A |  | X1 | 944.L000 |
| B |  | X2 | DIN931-M12 X 70 |
| C |  | X2 | DIN985-M12 |





OPTION T38



X1

KIT38-2611