



TREKHAKEN • ATTELAGES • ANHÄNGERVORRICHTUNGEN • TOWBARS • ENHANCES • ANHÆNGERTRÆK • GANCI DI TRAINO

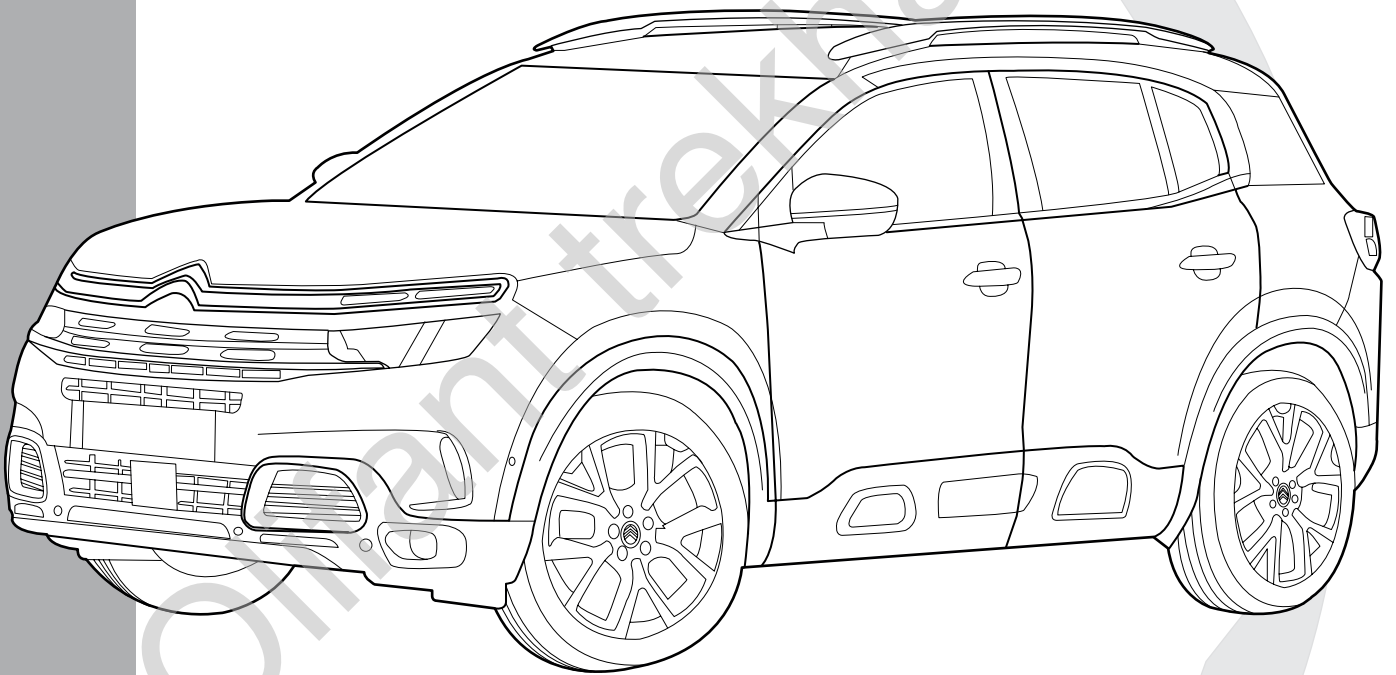
Montagehandleiding | instructions de montage | Einbauanleitung | Mounting instruction  
Instrucciones de montaje | monteringsvejledning | istruzioni di montaggio

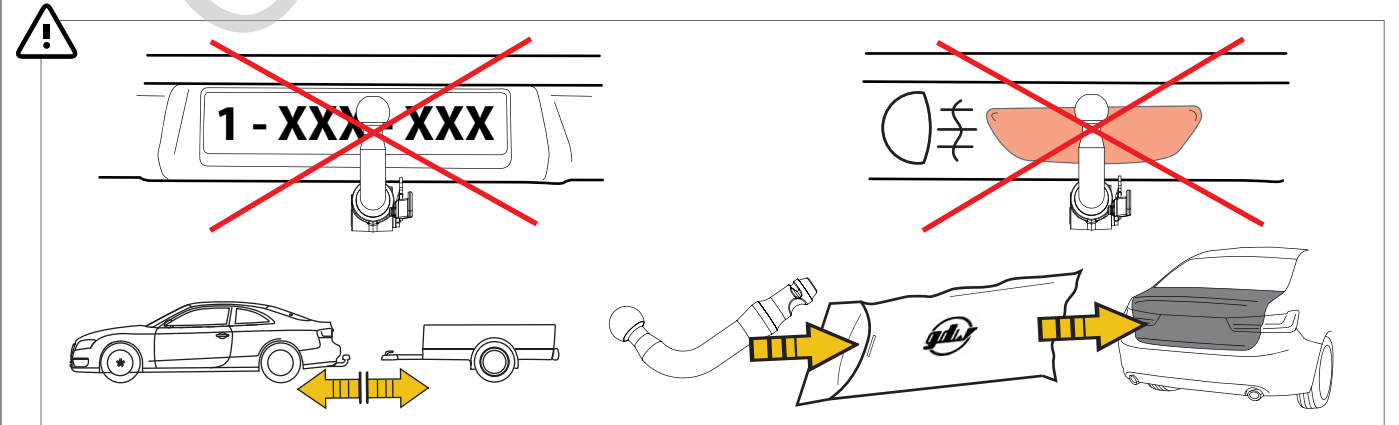
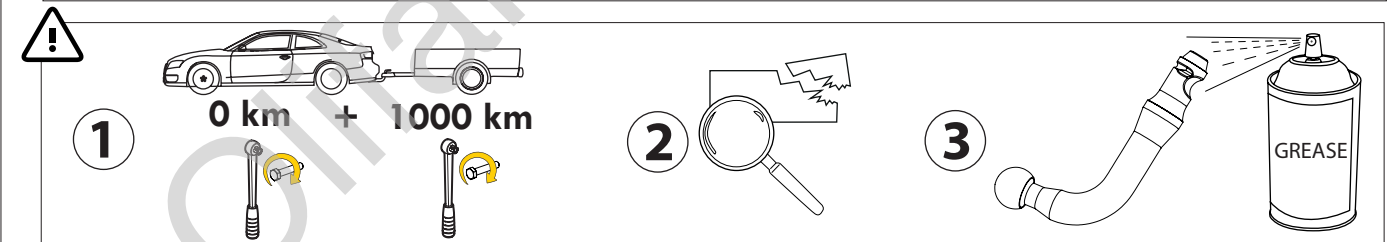
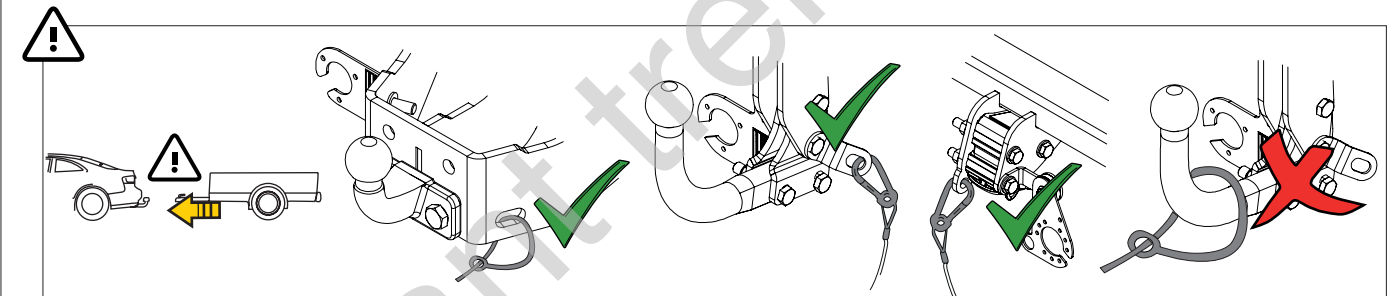
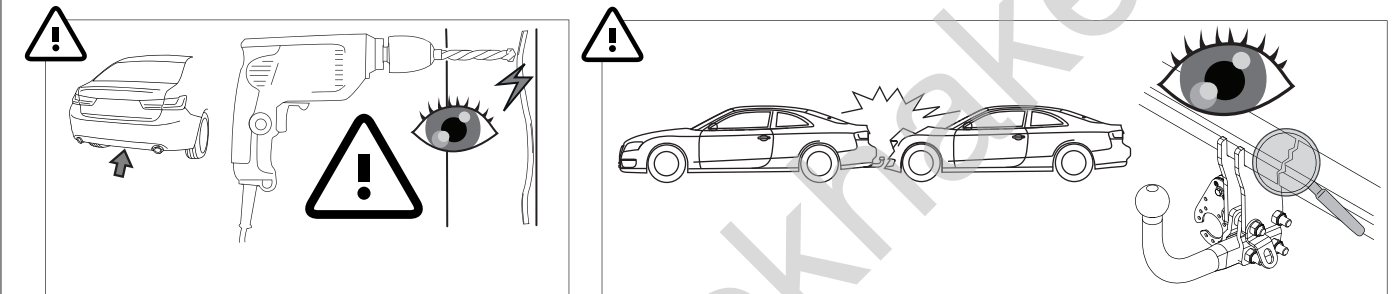
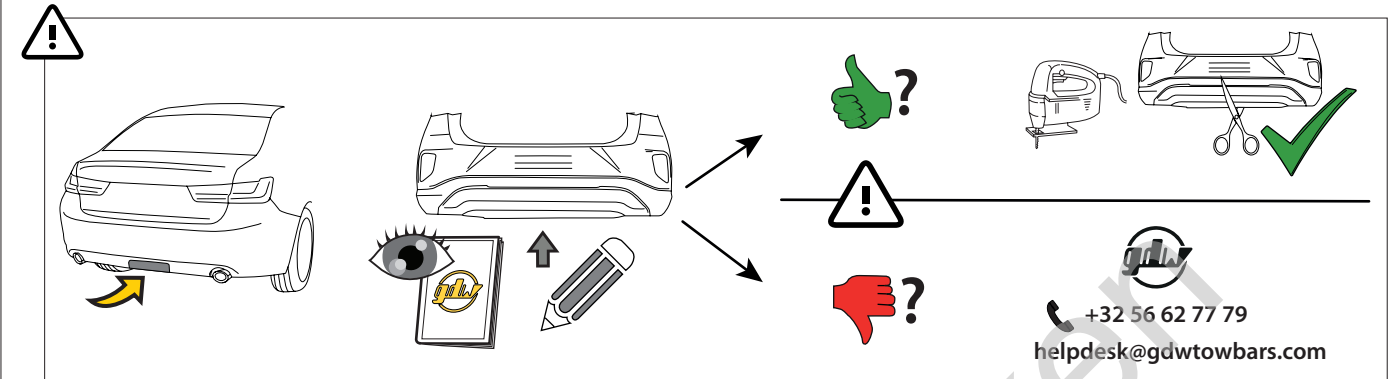
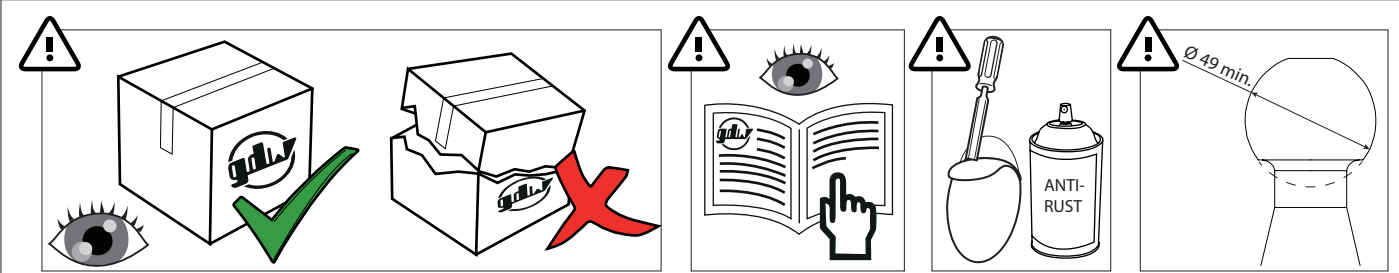



# Citroën C5 Aircross


## Plug-In Hybrid

04/'20-

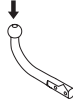


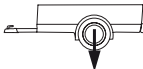


MADE BY 	<b>D 8,25</b>	<b>F</b>	<b>E6</b>
BELGIUM	<b>S 80</b>	EC-N° 55R-02 1693	
REF N° 2606T60		SERIAL N° XXXX	
<b>DESCRIPTION</b> Citroën C5 Aircross Plug-In Hybrid			

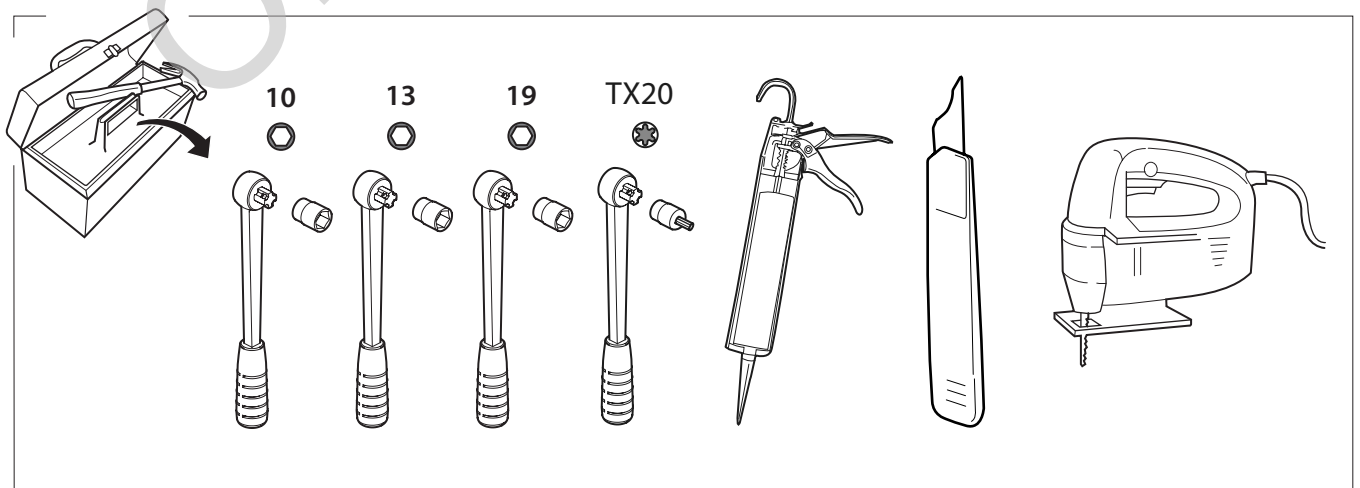
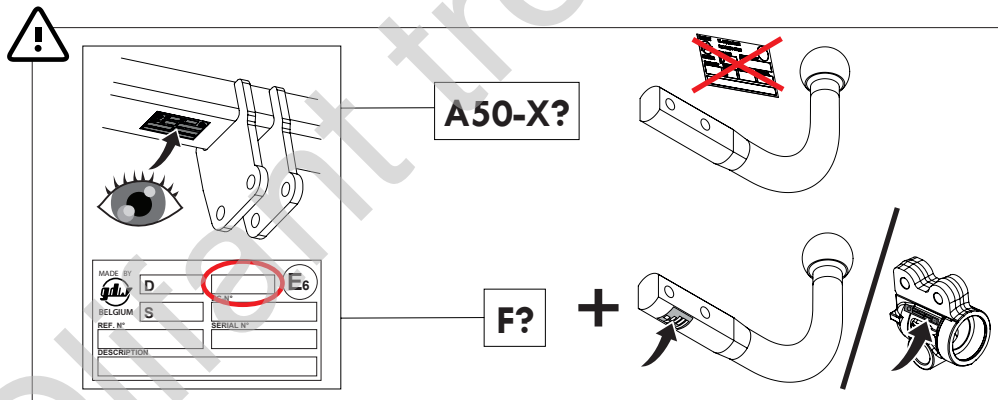
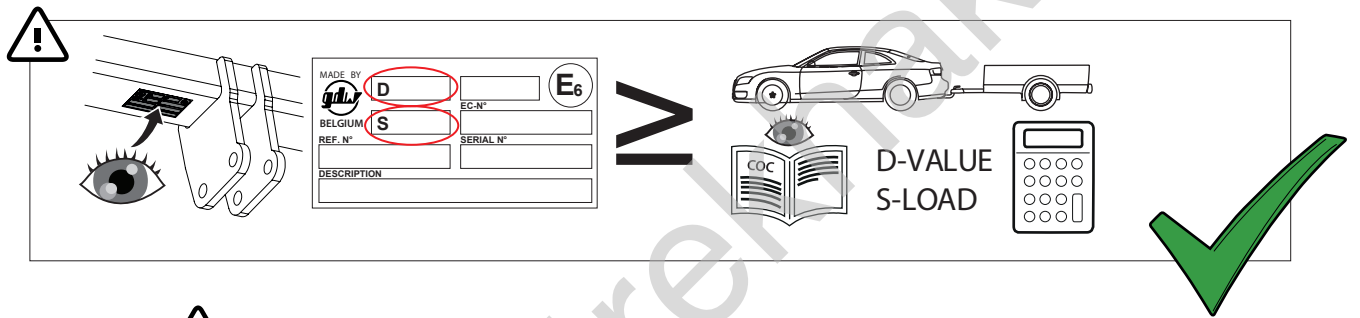
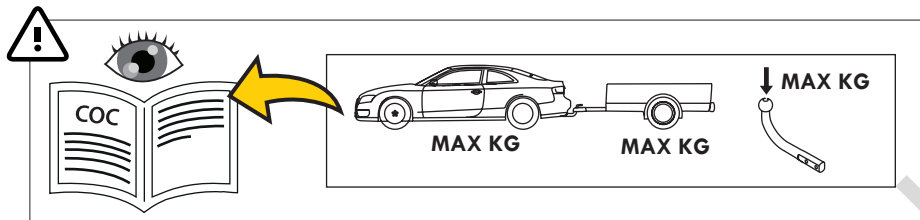


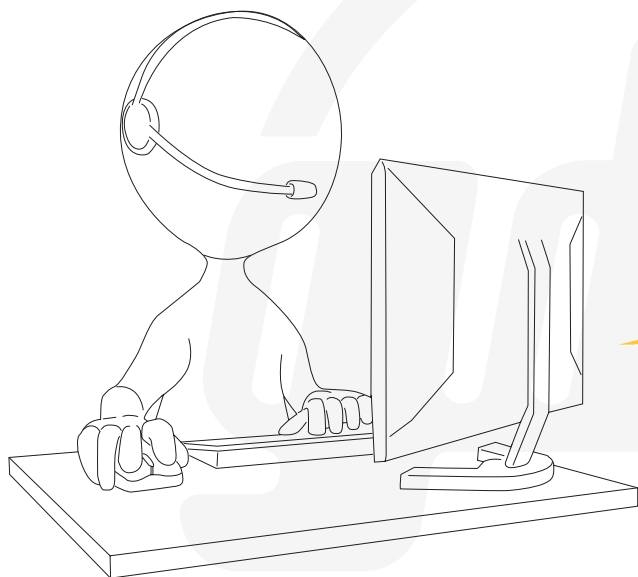
$$D = \frac{\text{max kg (car)} \times \text{max kg (trailer)}}{\text{max kg (car)} + \text{max kg (trailer)}} \times 0.00981 \leq 8,25 \text{ kN}$$

$S =$ 

 $\leq 80 \text{ kg}$


 $\leq 1325 \text{ kg}$

See the Certificate Of Conformity (COC) of your vehicle or contact your dealer to verify the max. trailer weight of your car!

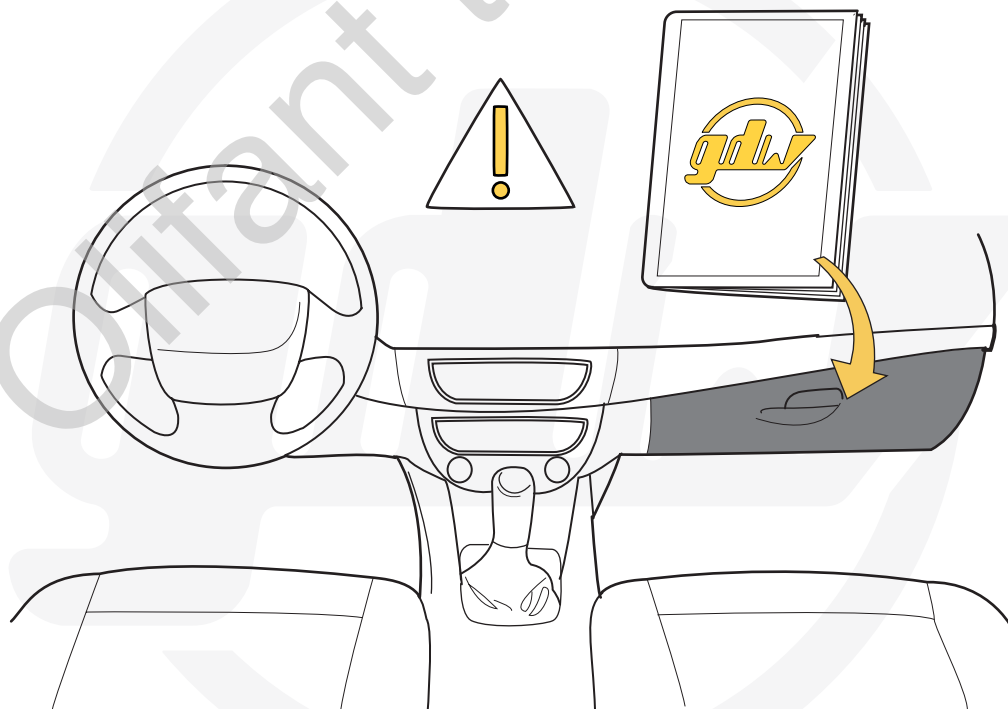


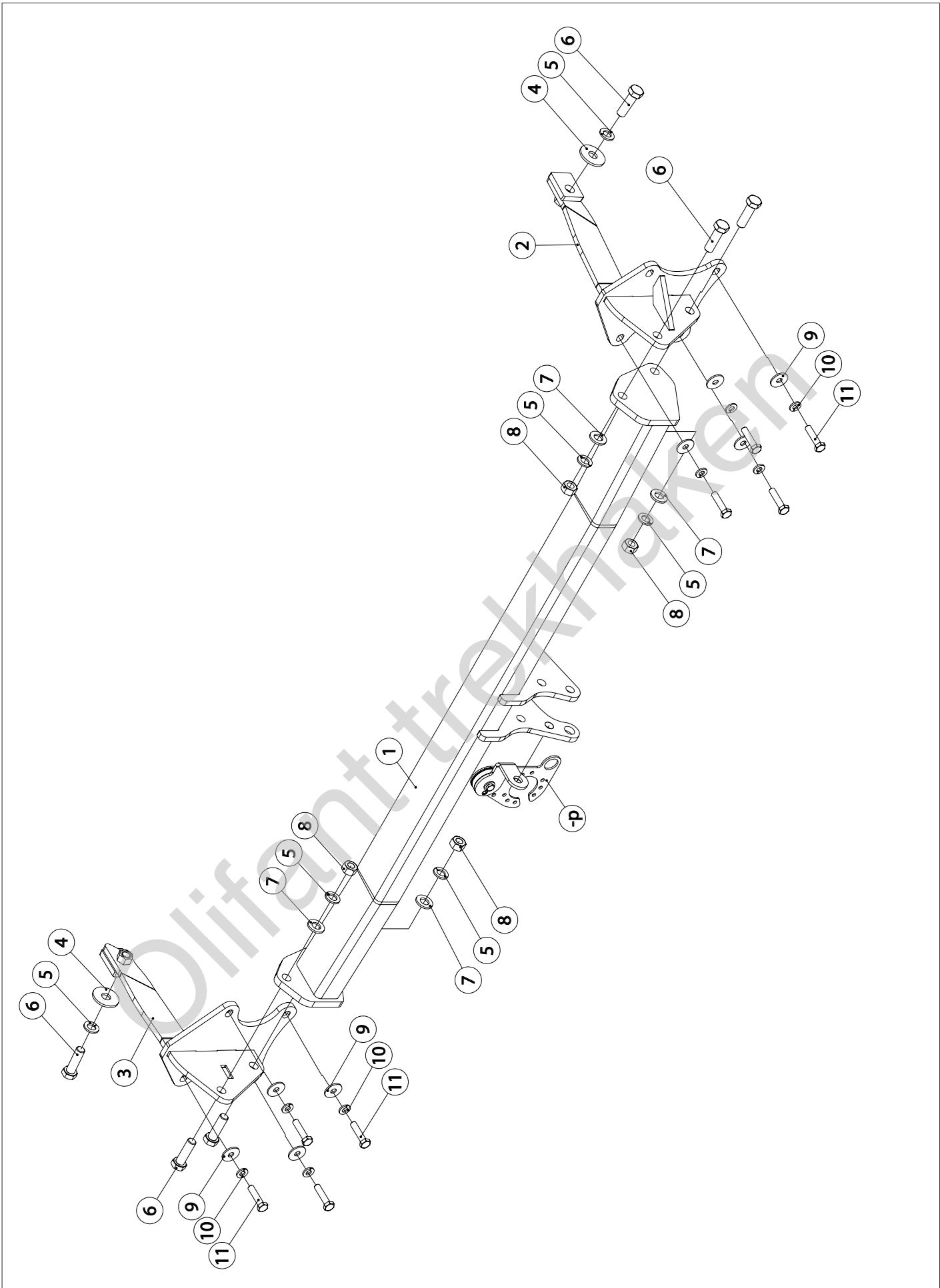


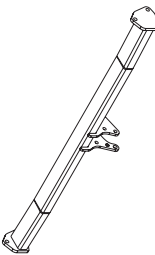
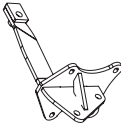
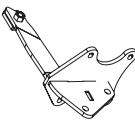








**helpdesk@gdwtowbars.com**

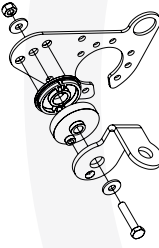

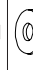
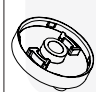

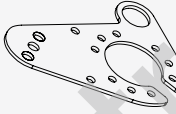


**+32 56 62 77 79**

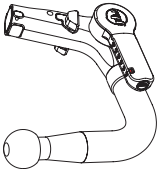
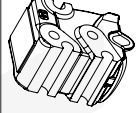
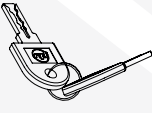


Monday	08:00 - 12:00	12:30 - 16:30
Tuesday	08:00 - 12:00	12:30 - 16:30
Wednesday	08:00 - 12:00	12:30 - 16:30
Thursday	08:00 - 12:00	12:30 - 16:30
Friday	08:00 - 12:00	12:30 - 15:30



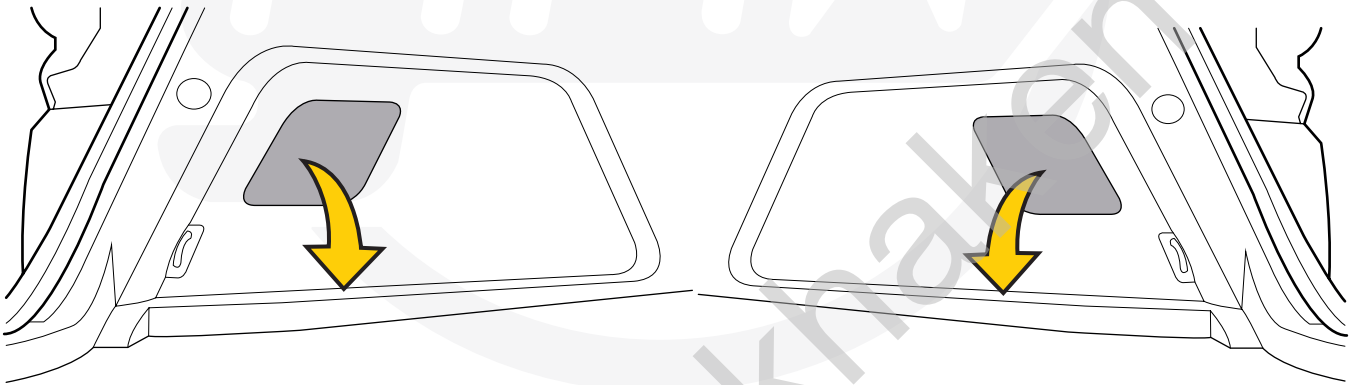
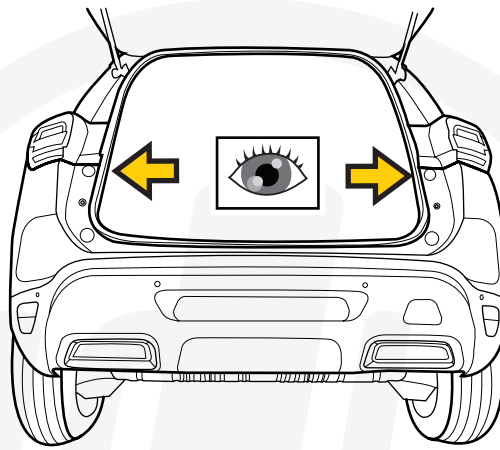


1		X1	GDW REF. 2606T60
2		X2	GDW REF. 2
3		X1	GDW REF. 3
4		X2	DIN9021-M12-ELVZ
5		X6	DIN128A-M12
6		X6	DIN933-M12X40
7		X4	DIN125-A12-140HV-ELVZ
8		X4	DIN934-M12
9		X8	DIN9021-M8-ELVZ
10		X8	DIN128A-M8
11		X8	DIN933-M8X35

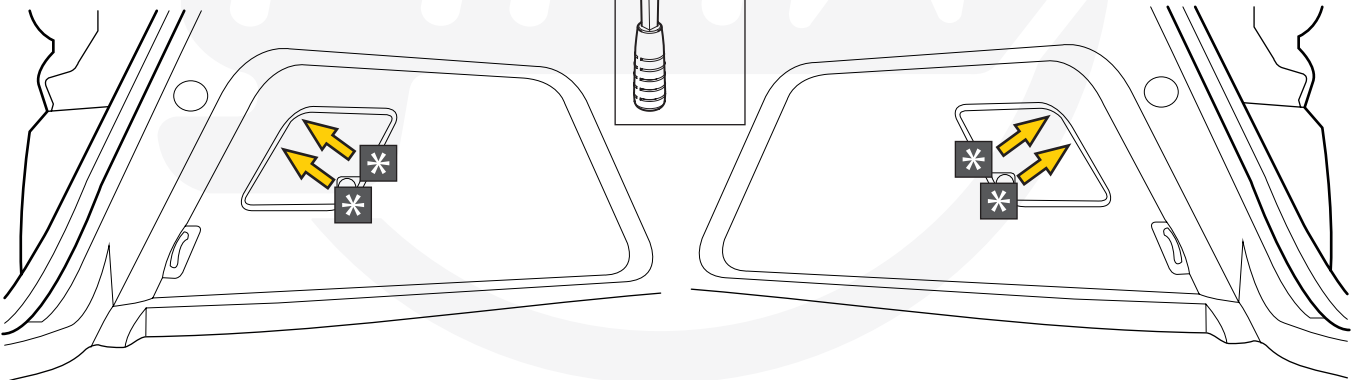
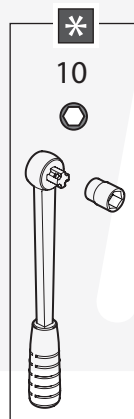
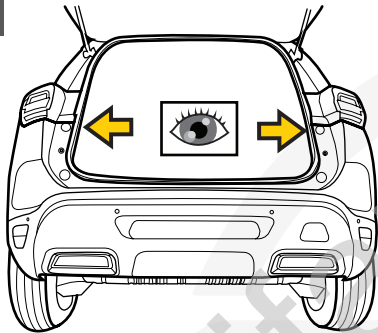
-P		X1	GDW REF. P39
↑		X1	DIN985-M6
↑		X2	6,2 X 15,4 X 1,6 (NYLON)
↑		X1	GDW REF. 718.16.002
↑		X1	GDW REF. 718.16.003
↑		X1	GDW REF. 908.094
↑		X1	DIN933-M6 X 30
↑		X1	GDW REF. 908.095

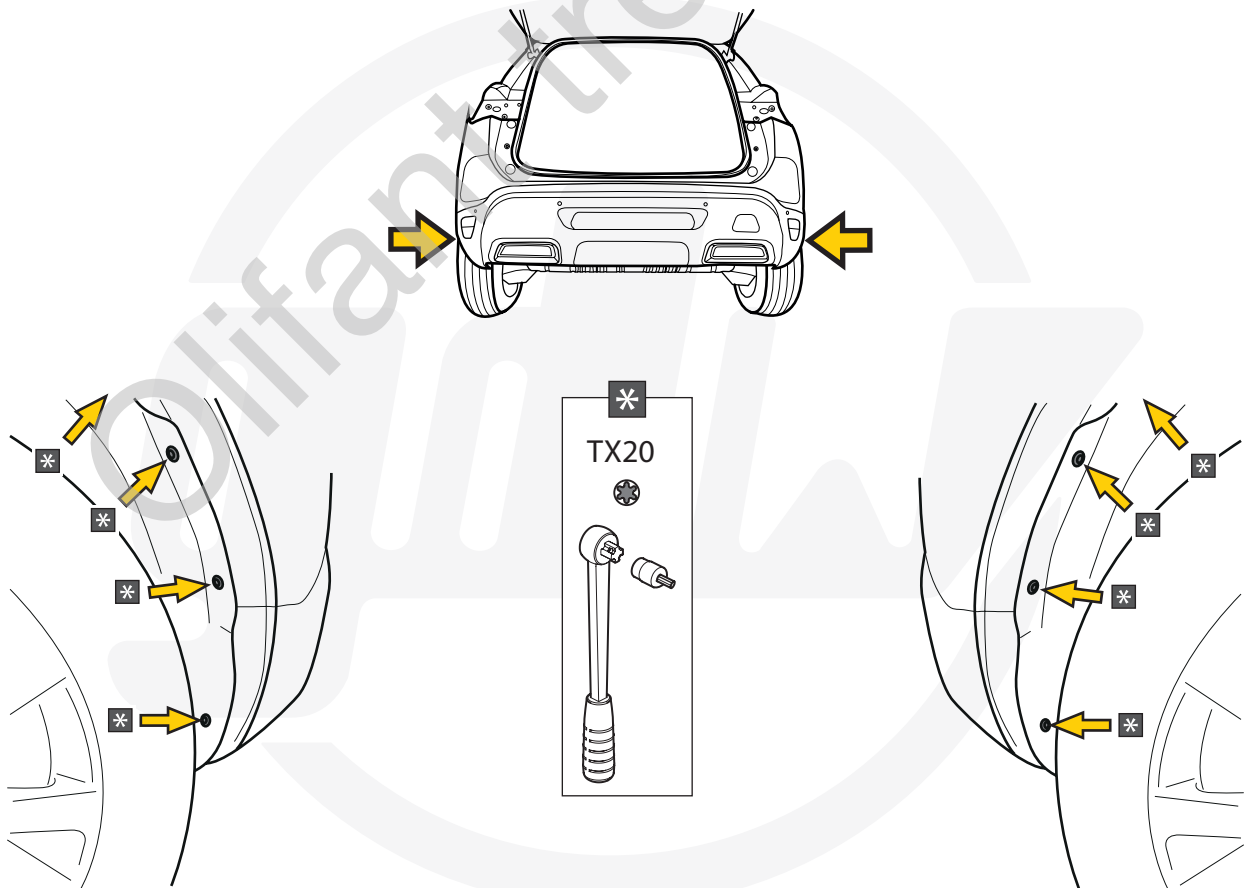
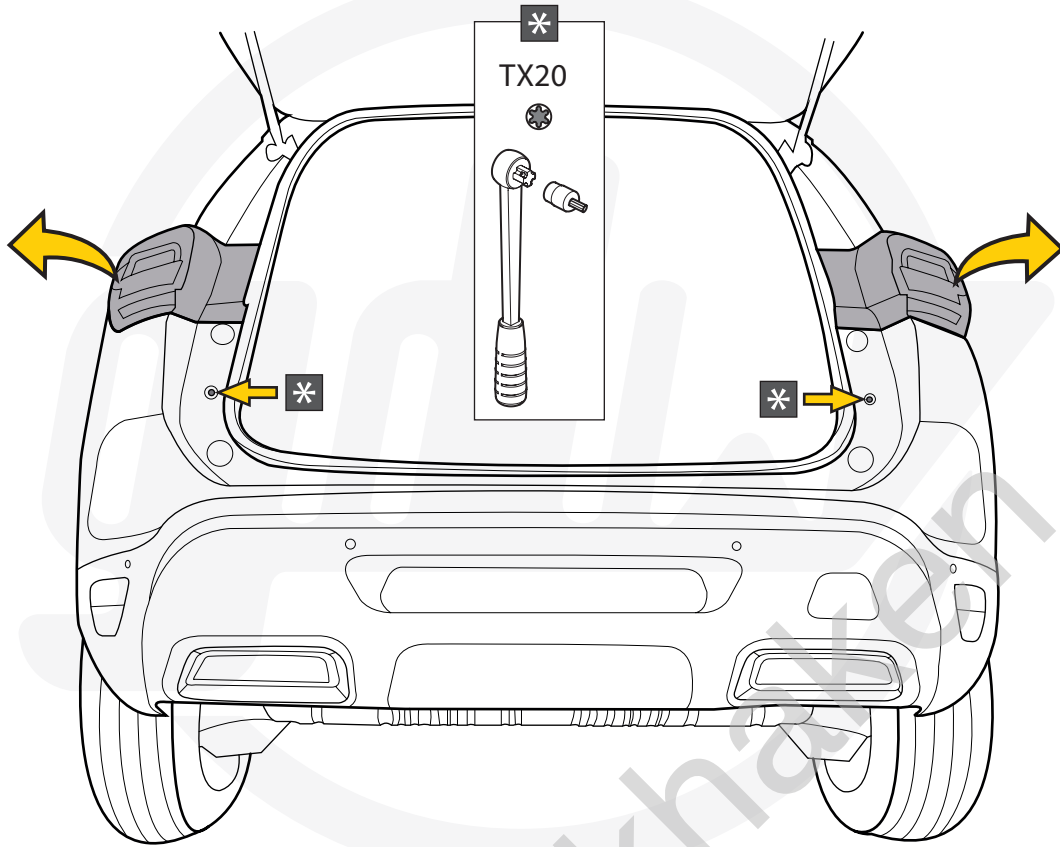
Geleverd met - Livré avec - Delivered with Geliefert mit - Elementos adjuntos-Leveres med		X1	GDW REF. 960.VO808
	↑	X1	GDW REF. 740.200
		X1	GDW REF. 912.003
	↑	X1	GDW REF. 740.112
	↑	X1	GDW REF. 740.111
		X1	GDW REF. 740.12X X= LAST NUMBER ON KEY
		X1	GDW REF. 718.15.001
		X1	GDW REF. SYST60-10
	↑	X3	DIN931-M12X110-8.8
	↑	X3	DIN128A-M12
	↑	X6	DIN125A-M12
	↑	X3	DIN934-M12

1

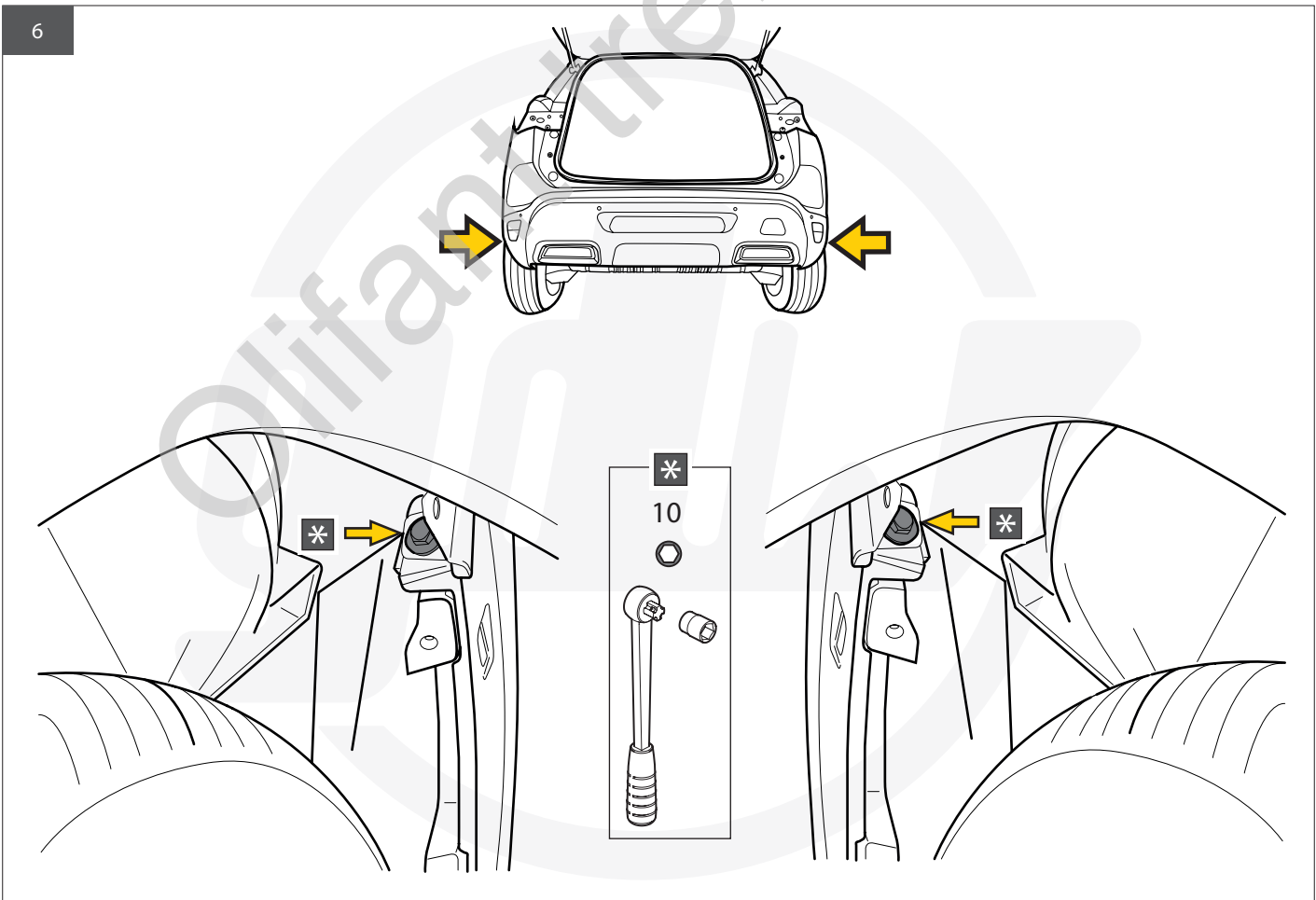
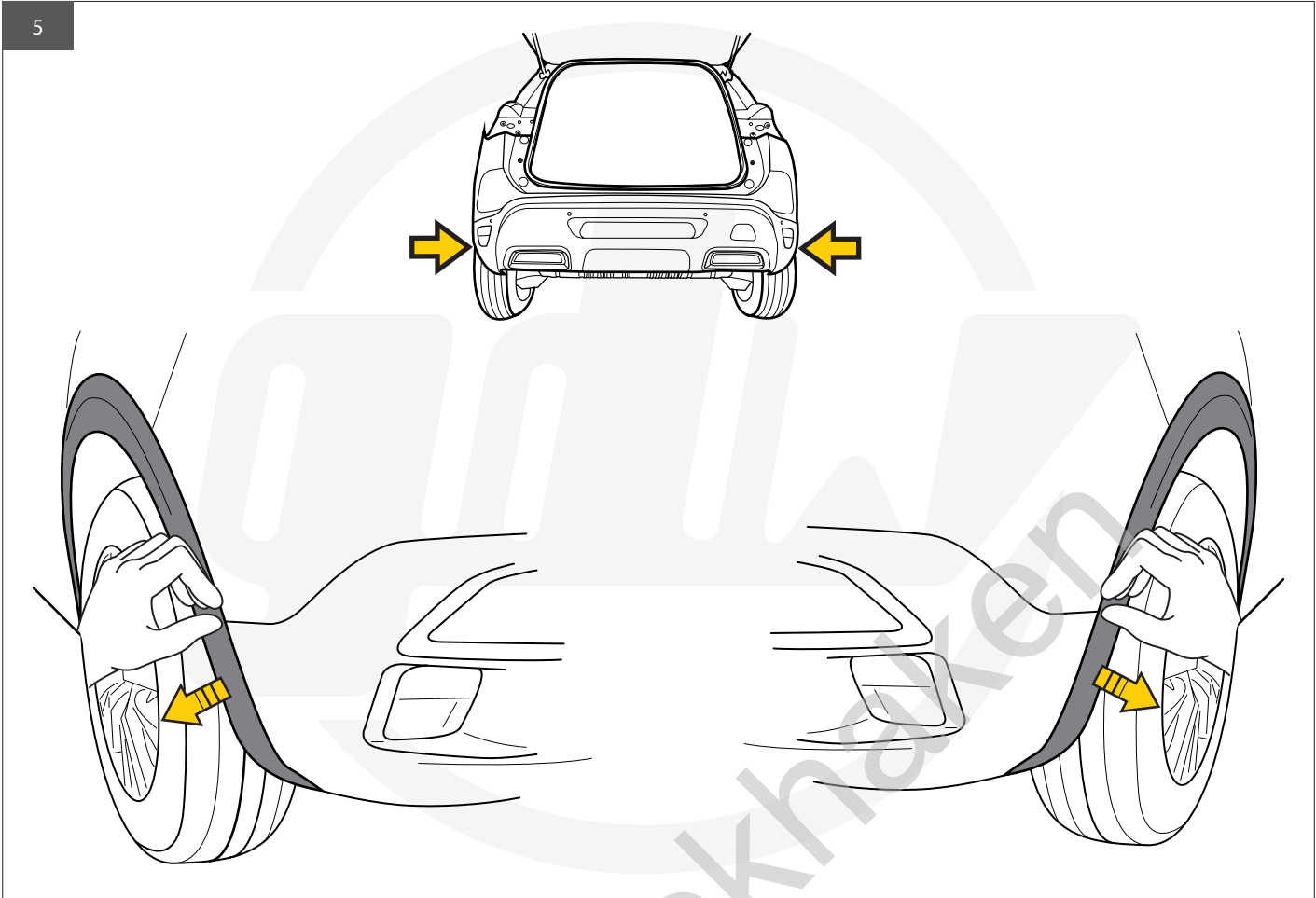


2

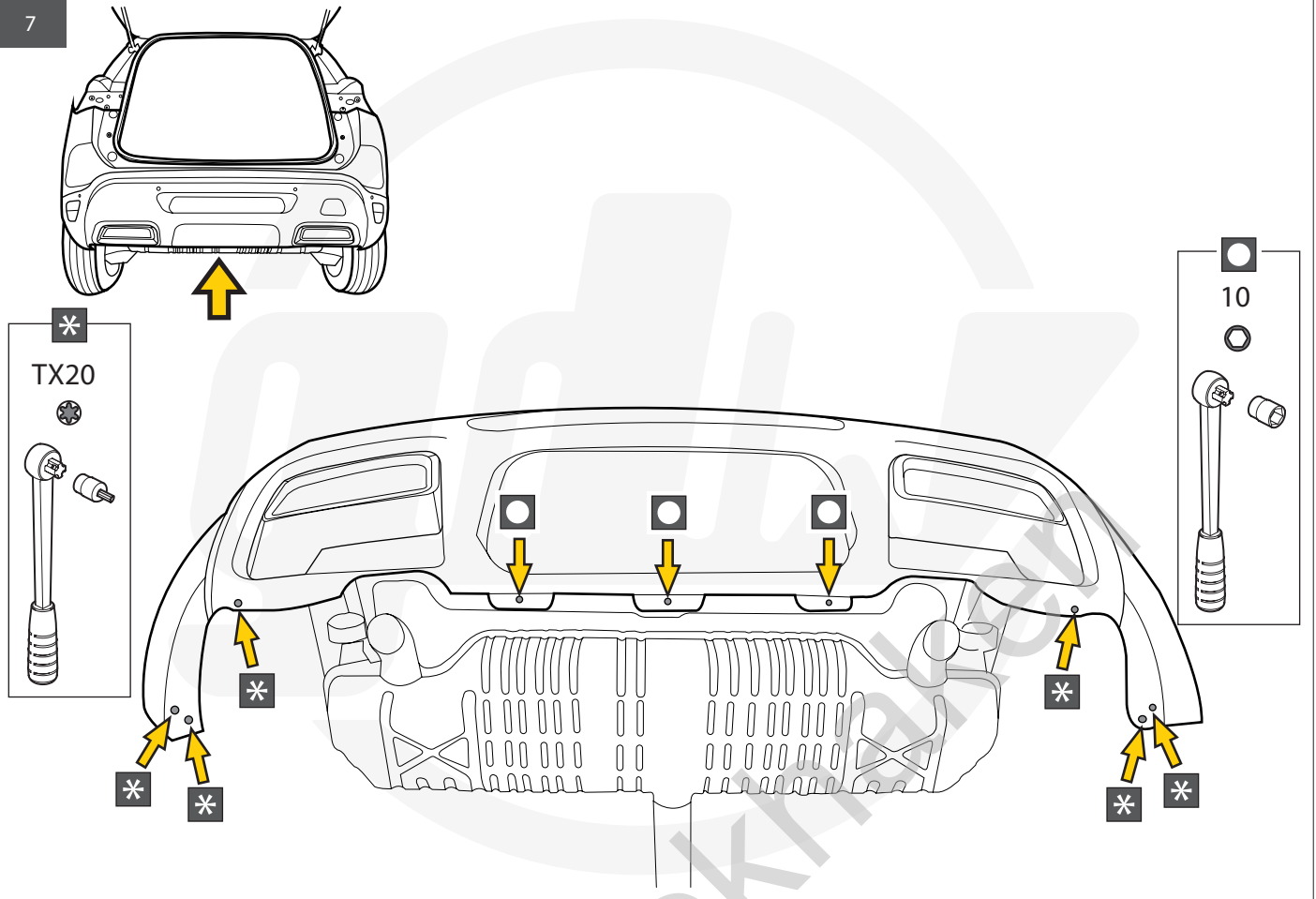




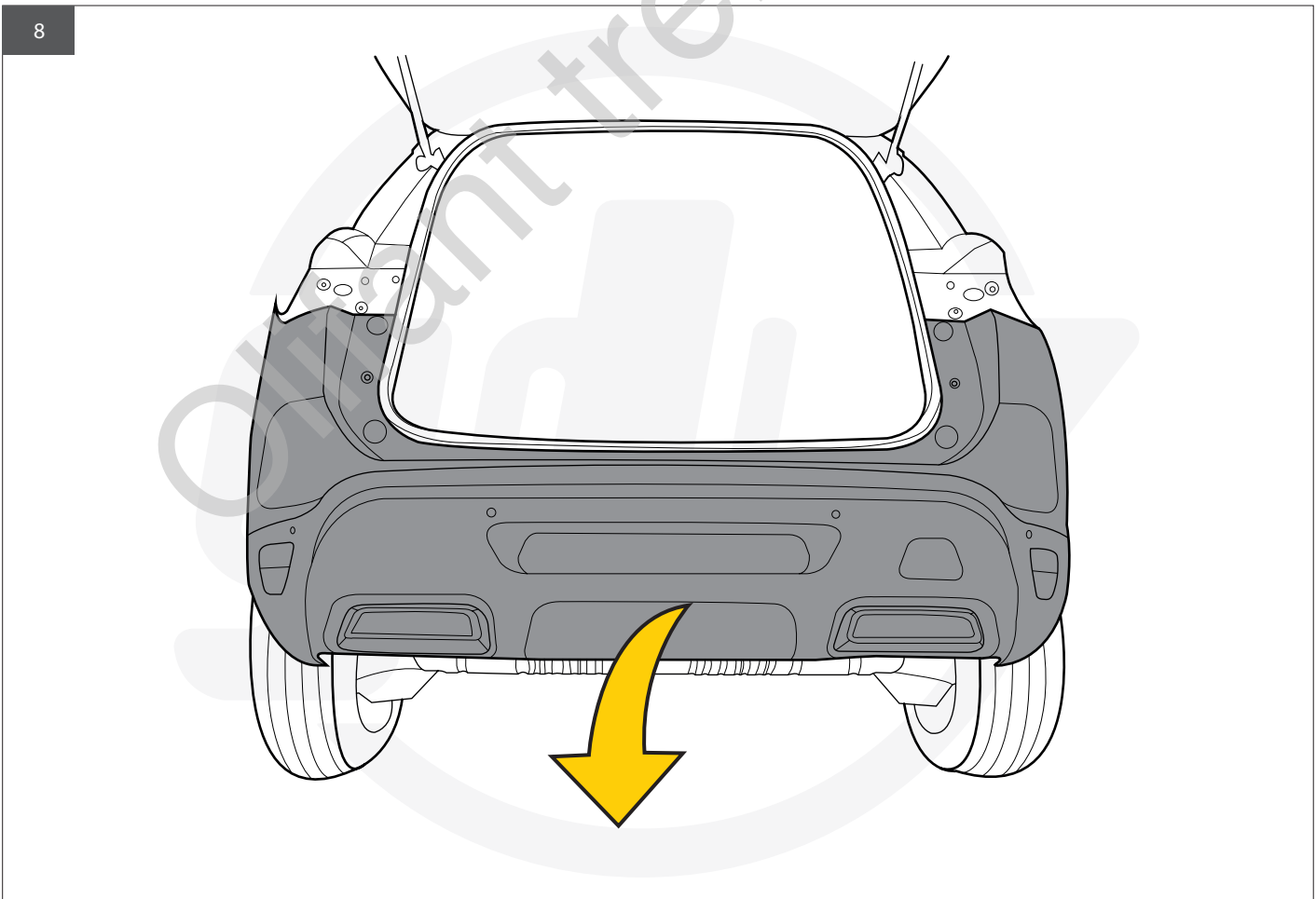


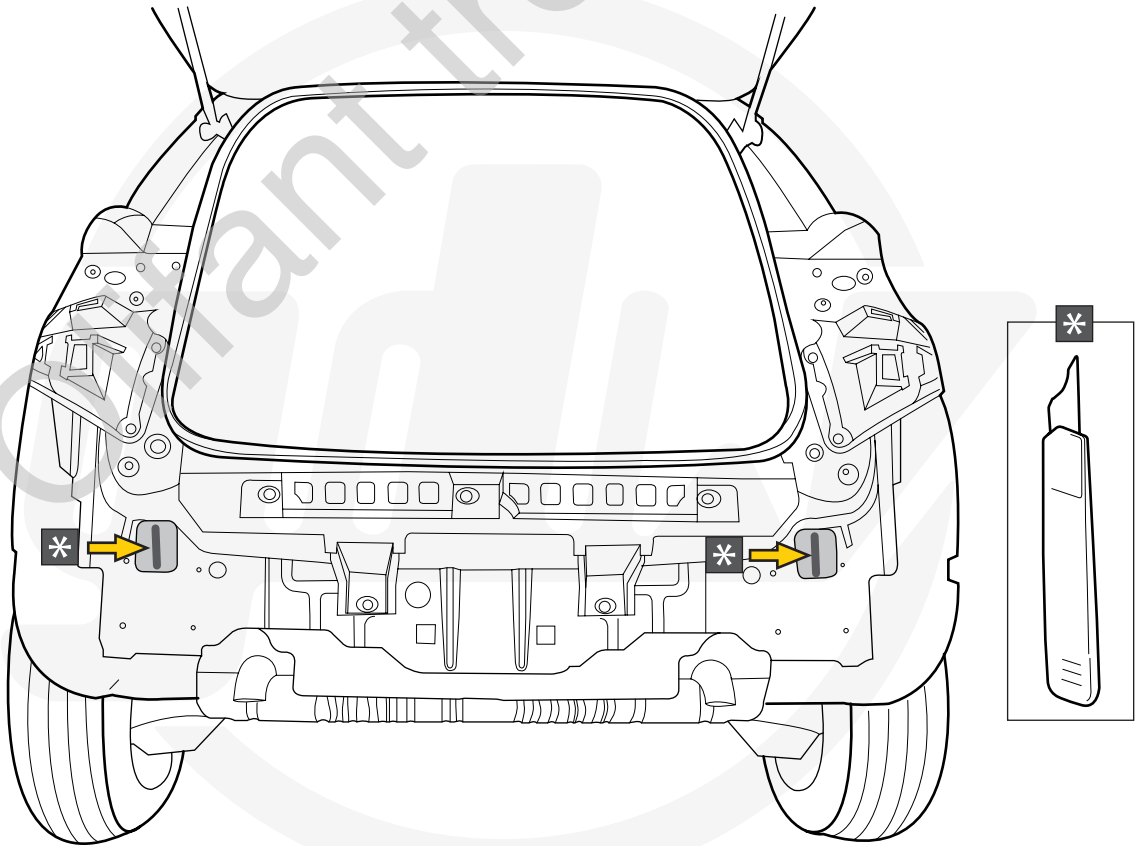
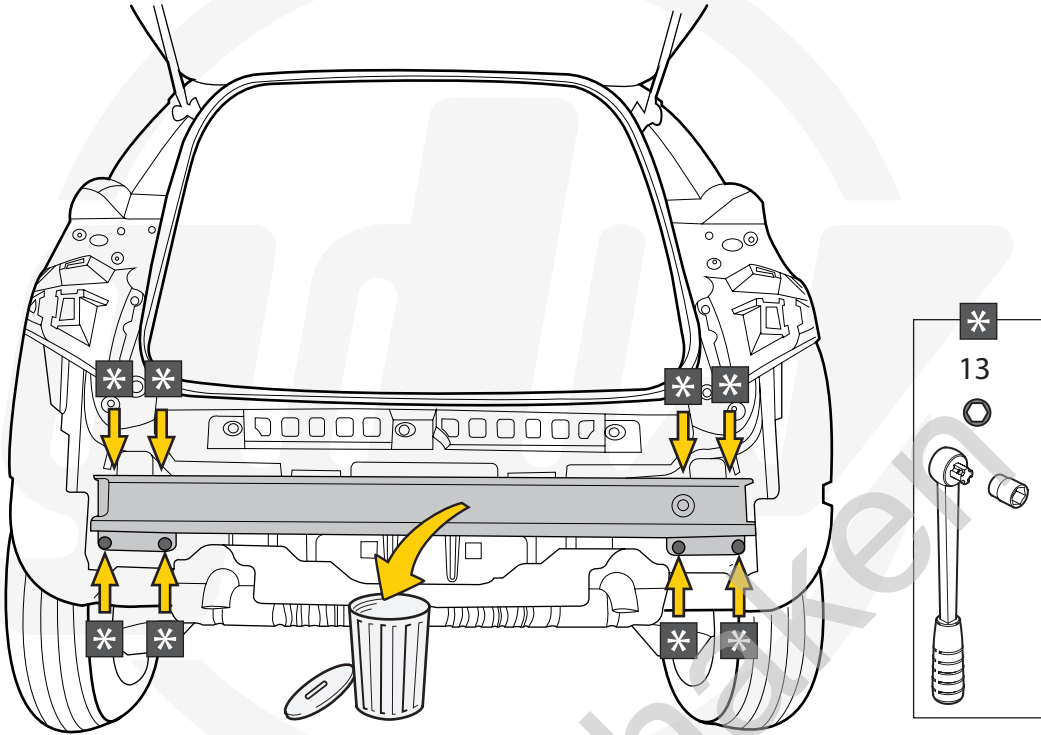


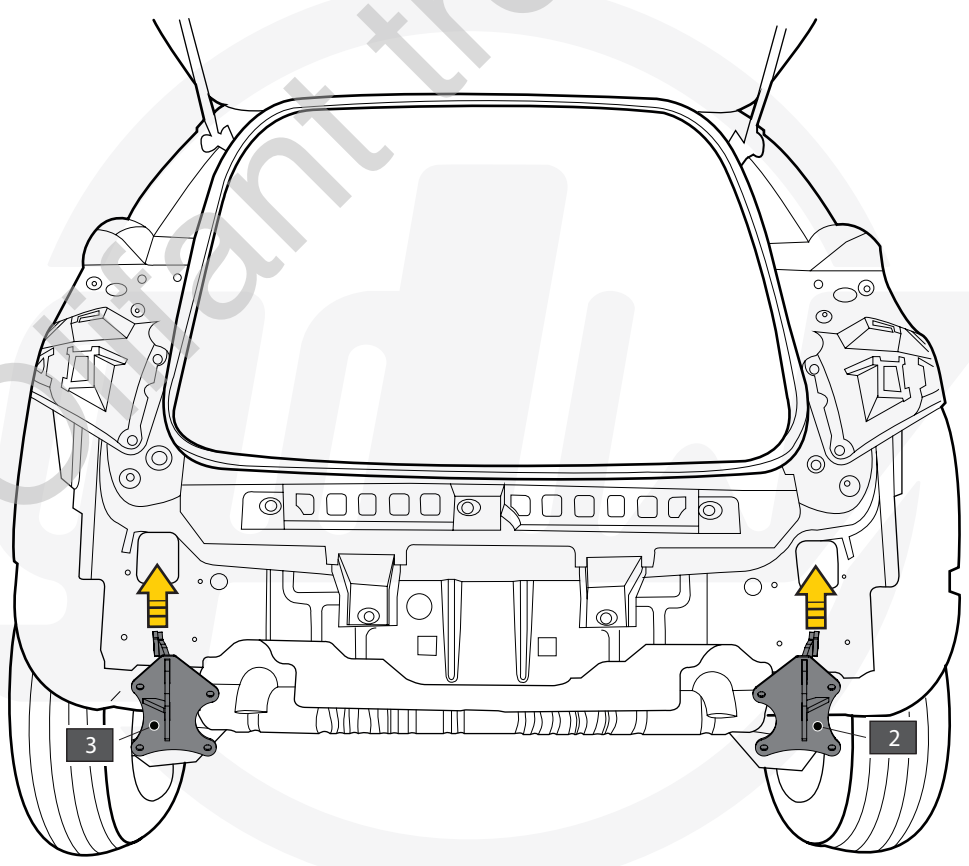
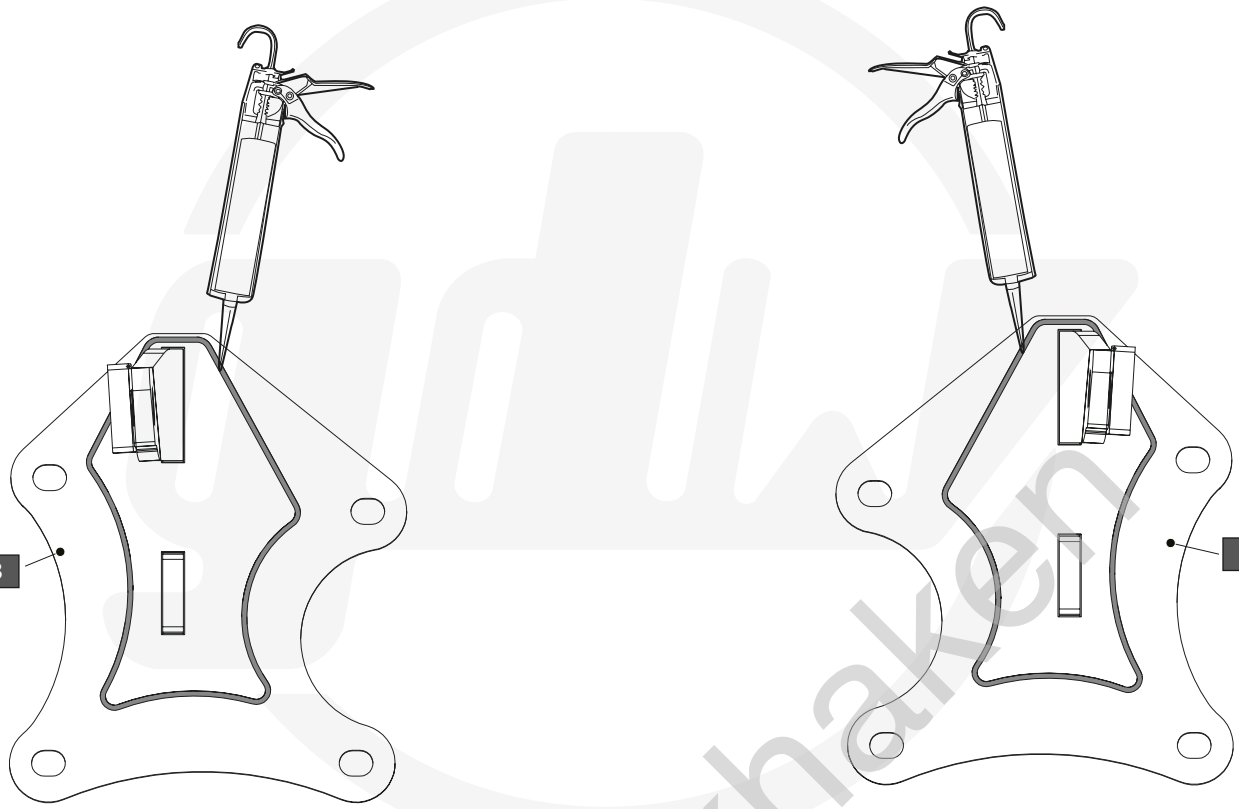
7



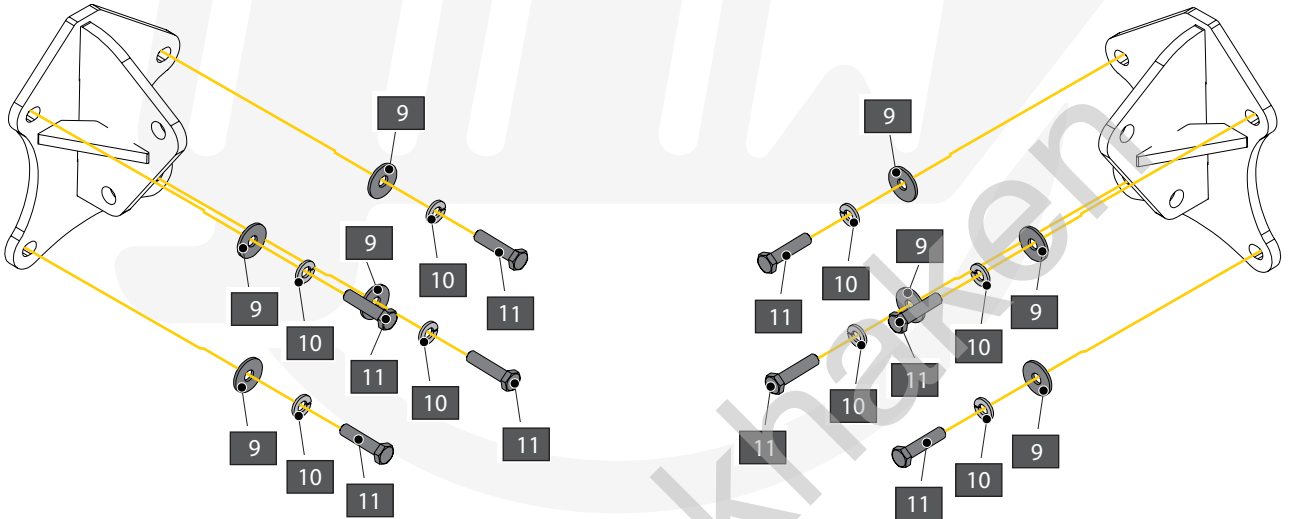
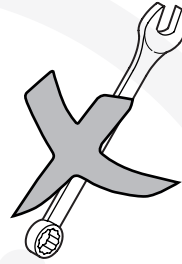
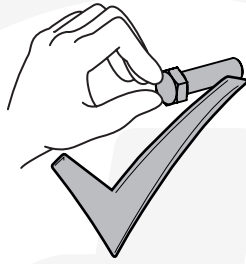
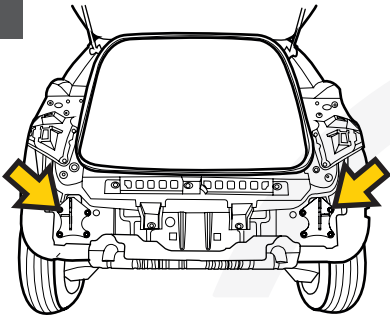
8



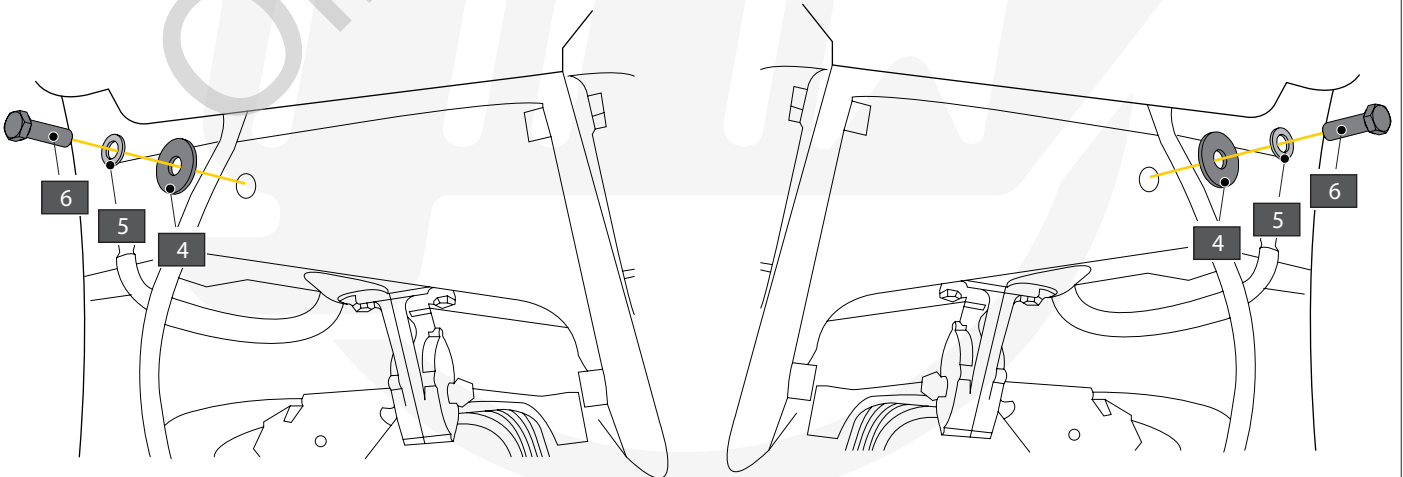
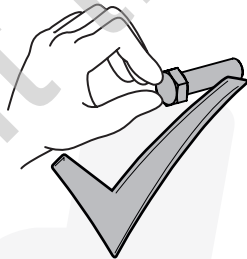
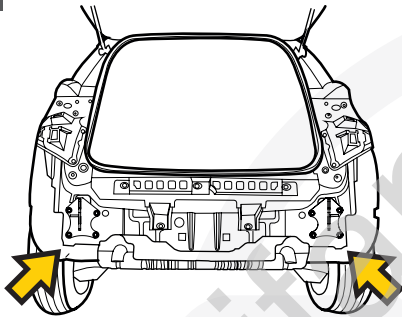


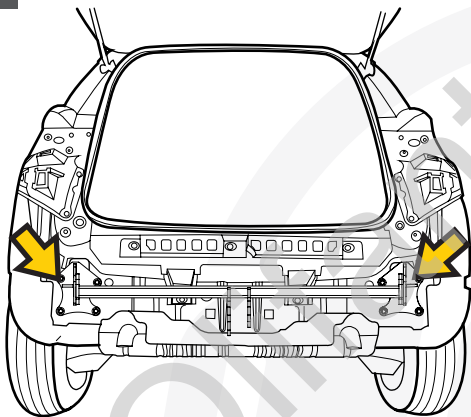
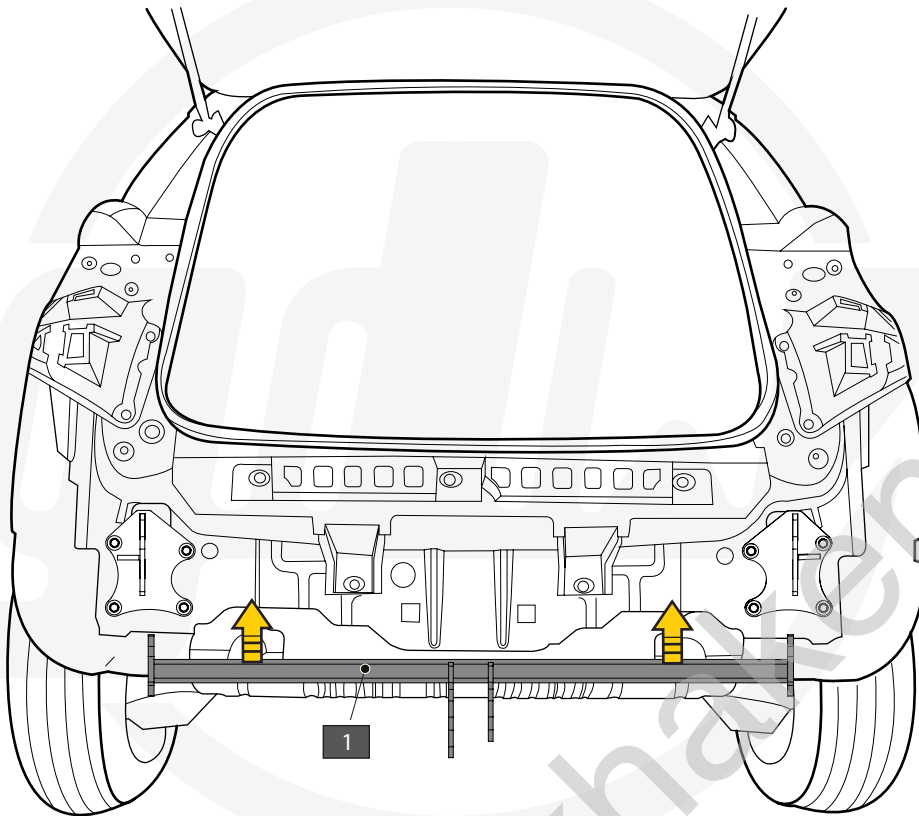


13

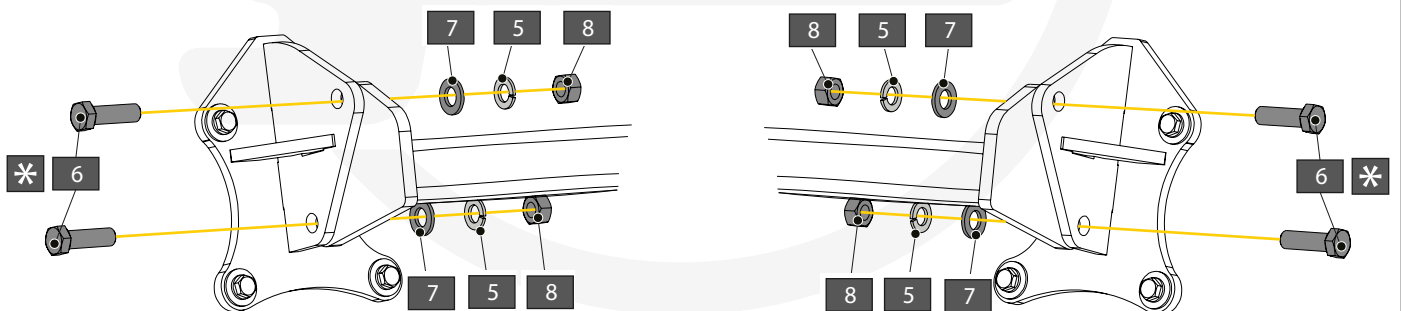
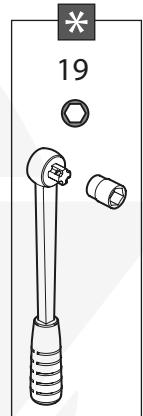


14

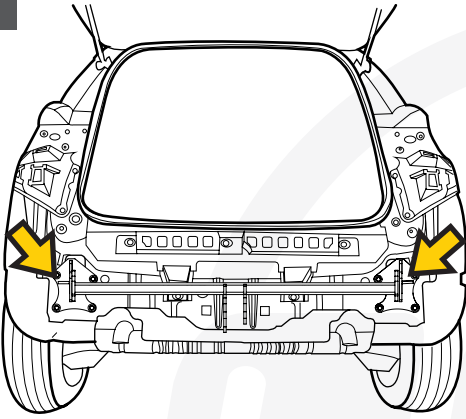




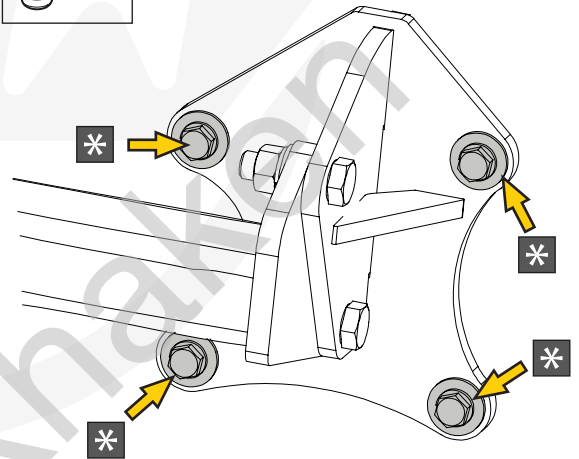
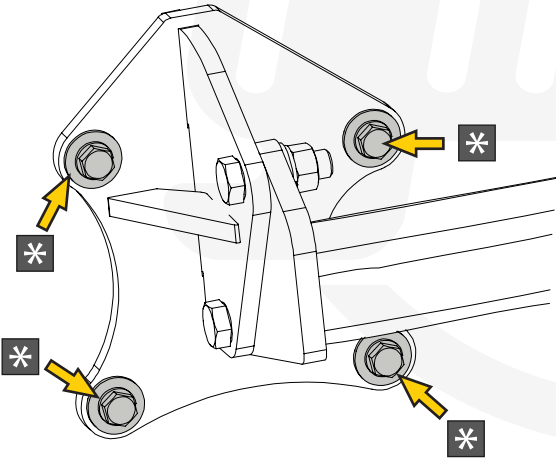
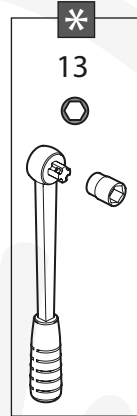
93,0 Nm



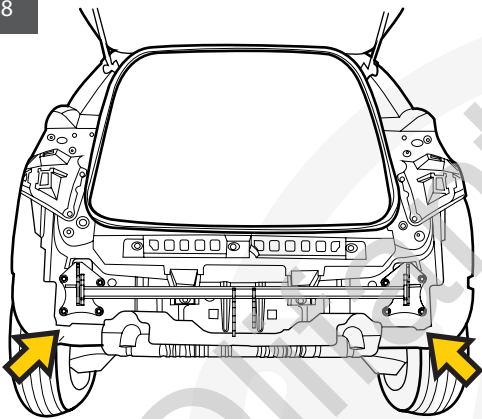
17



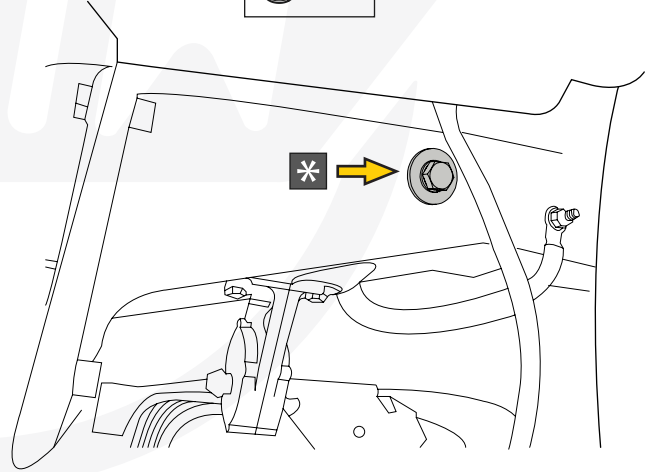
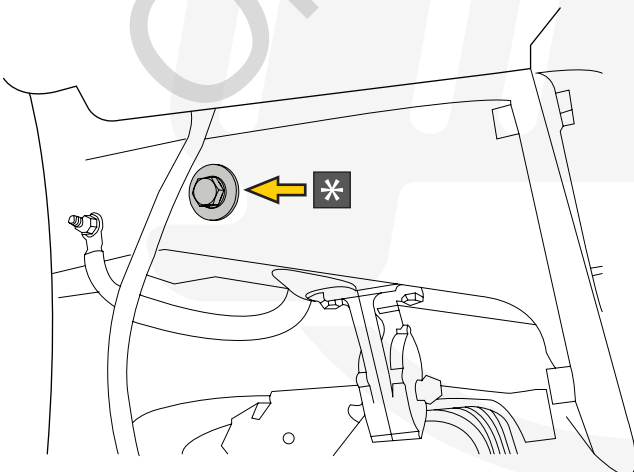
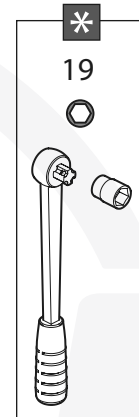
  
27,3 Nm

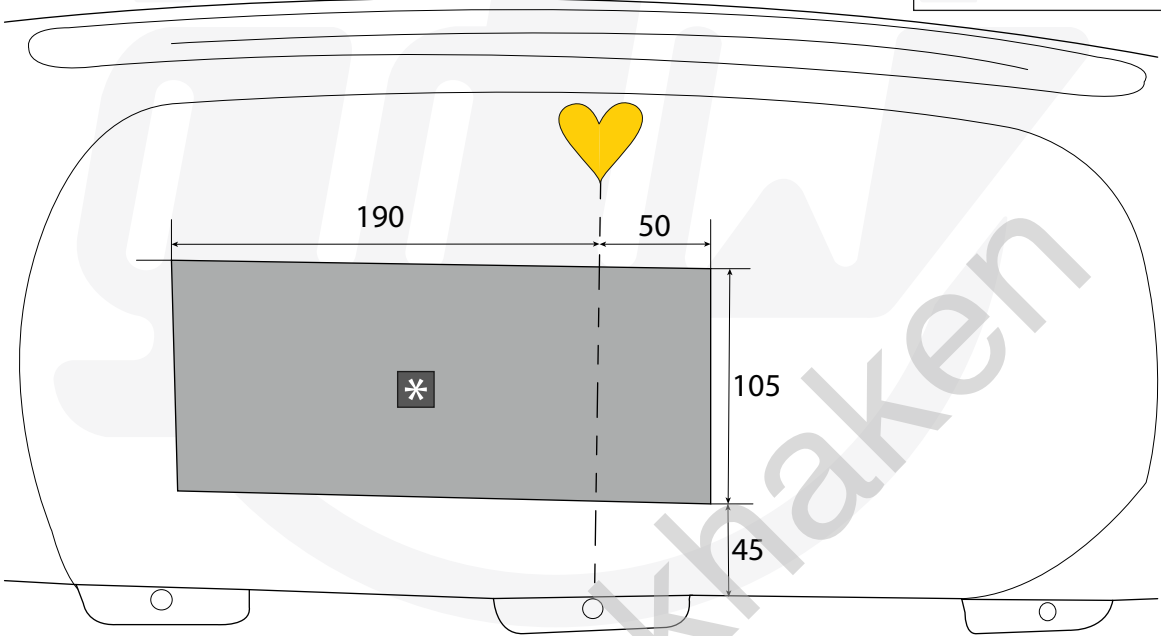
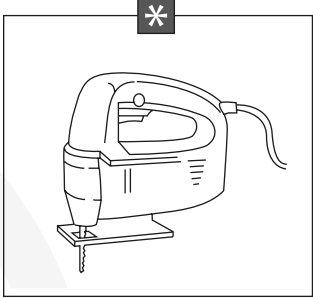


18

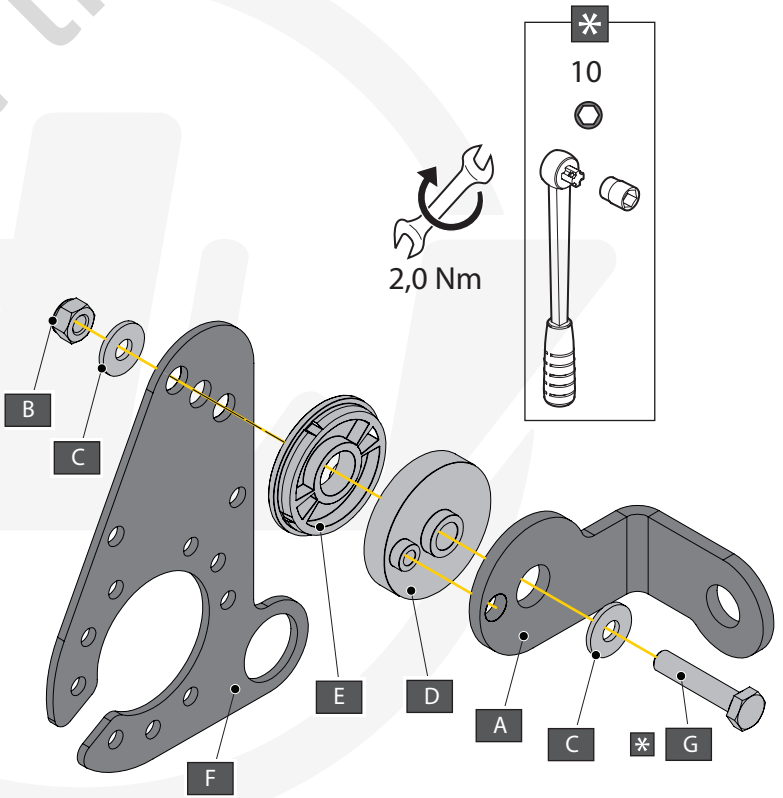


  
93,0 Nm

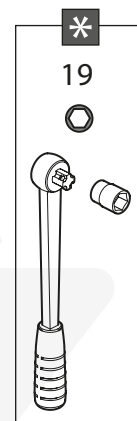
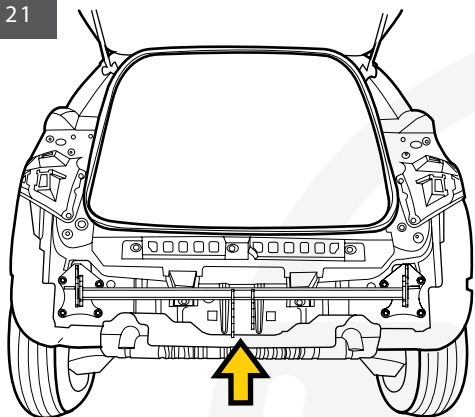




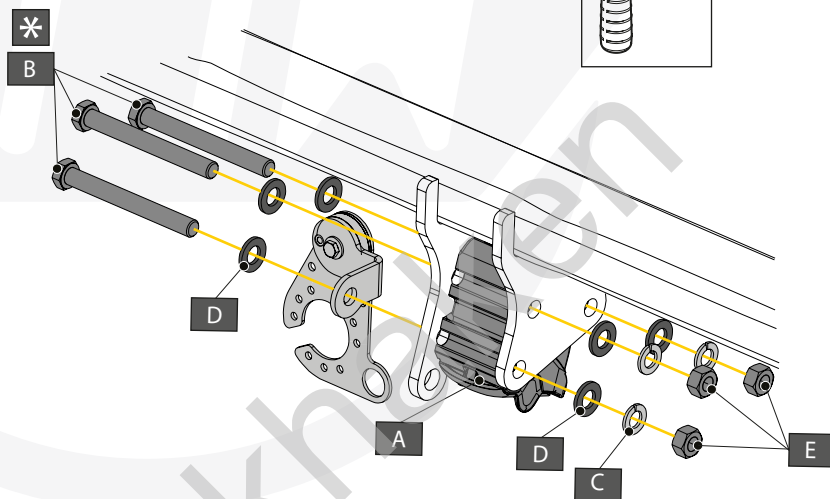
A		X1	GDW REF. 908.095
B		X1	DIN985-M6
C		X2	6,2 X 15,4 X 1,6 (NYLON)
D		X1	GDW REF. 718.16.002
E		X1	GDW REF. 718.16.003
F		X1	GDW REF. 908.094
G		X1	DIN933-M6 X 30







93,0 Nm



- |   |  |    |                    |
|---|--|----|--------------------|
| A |  | X1 | GDW REF. 912.003   |
| B |  | X3 | DIN931-M12X110-8.8 |
| C |  | X3 | DIN128A-M12        |
| D |  | X6 | DIN125A-M12        |
| E |  | X3 | DIN934-M12         |

