



TREKHAKEN • ATTELAGES • ANHÄNGERVORRICHTUNGEN • TOWBARS • ENHANCES • ANHÆNGERTRÆK • GANCI DI TRAINO

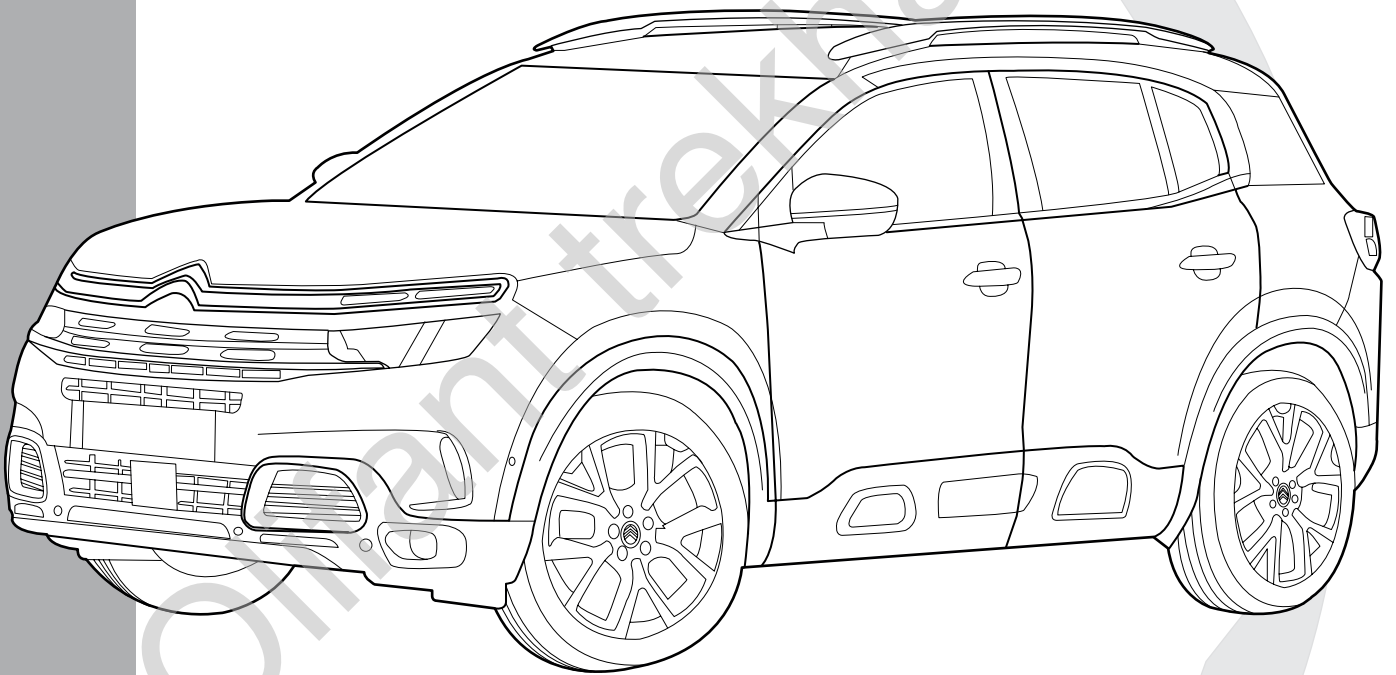
Montagehandleiding | instructions de montage | Einbauanleitung | Mounting instruction
Instrucciones de montaje | monteringsvejledning | istruzioni di montaggio

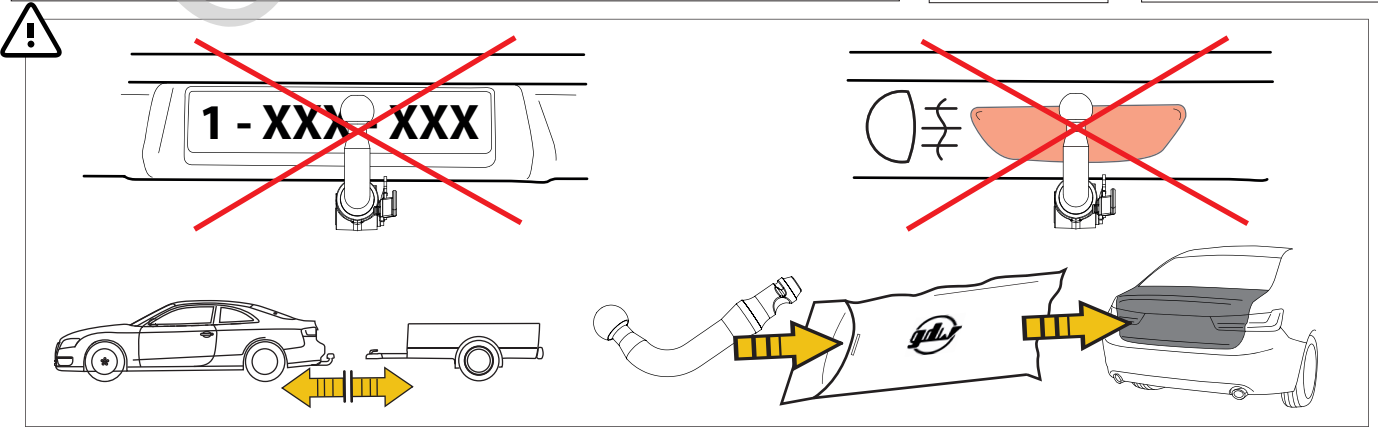
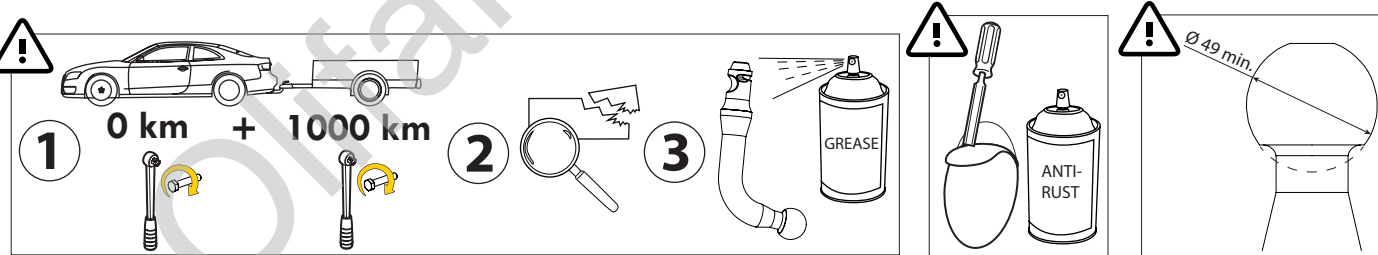
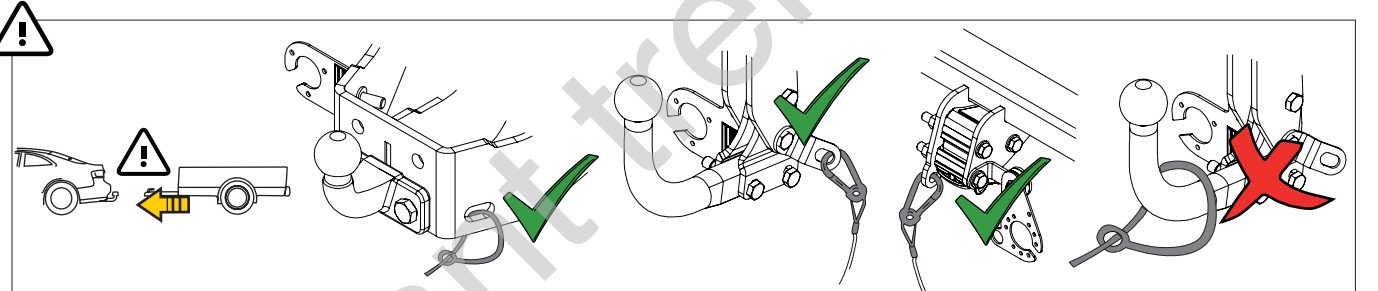
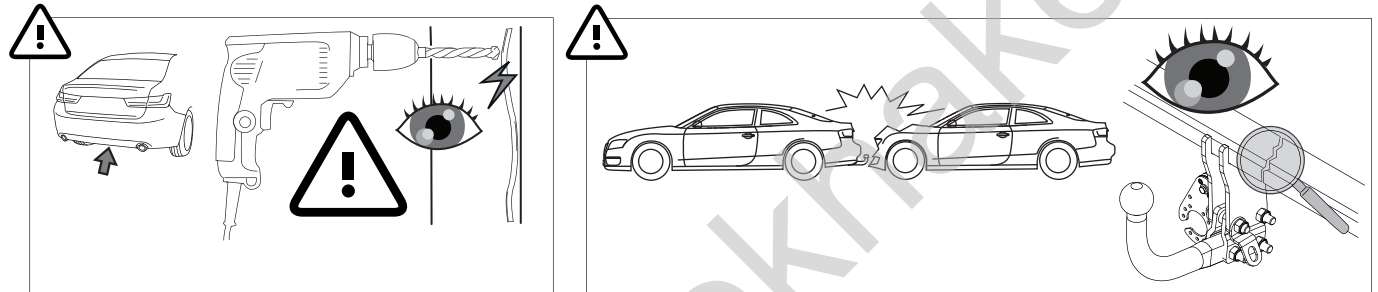
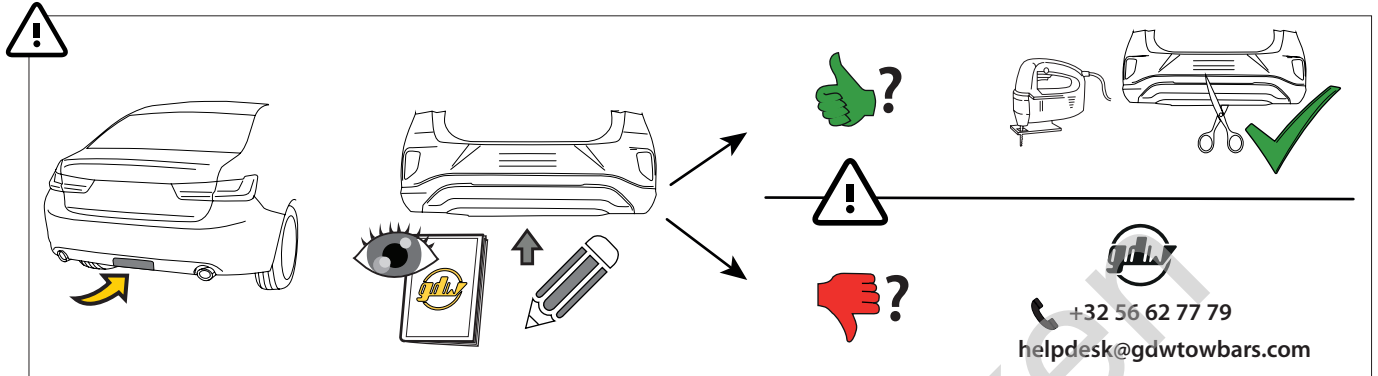
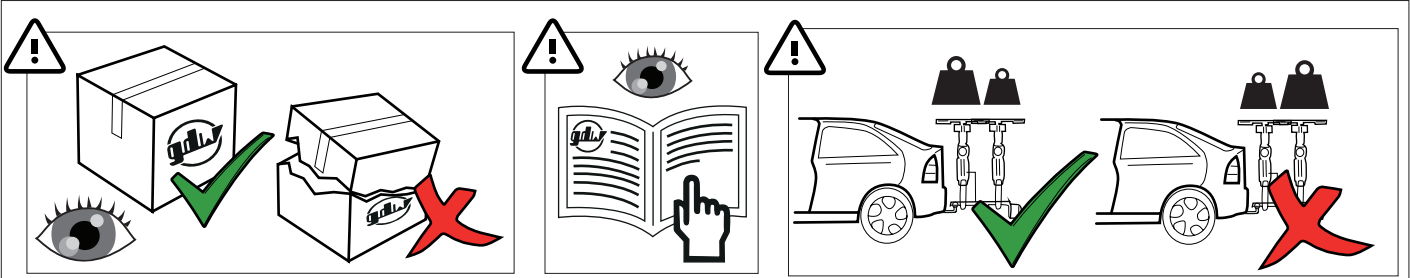



Citroën C5 Aircross



Plug-In Hybrid

04/'20-





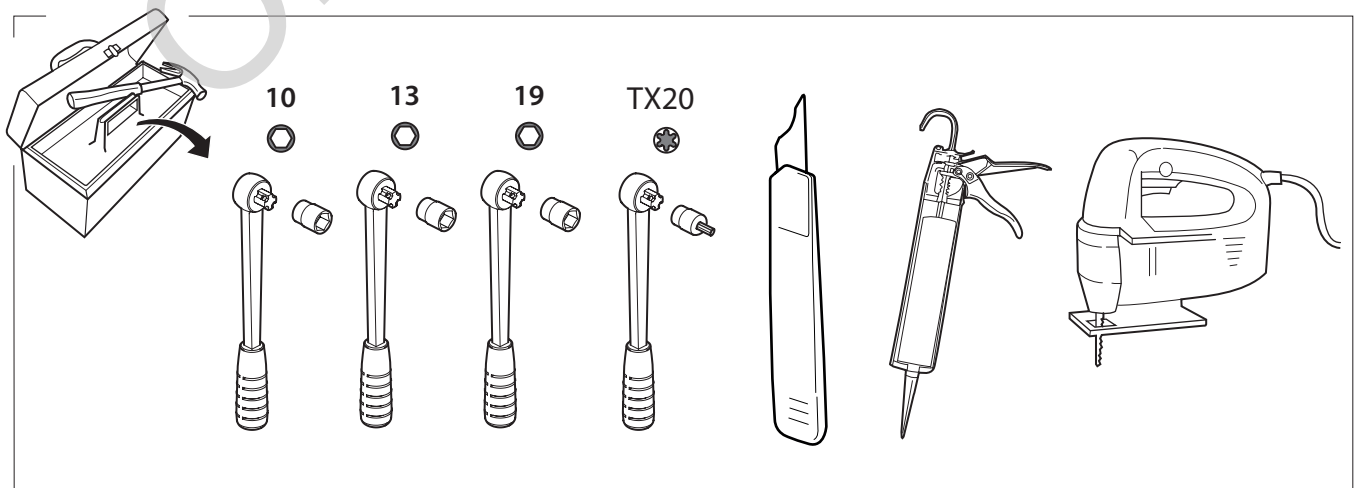
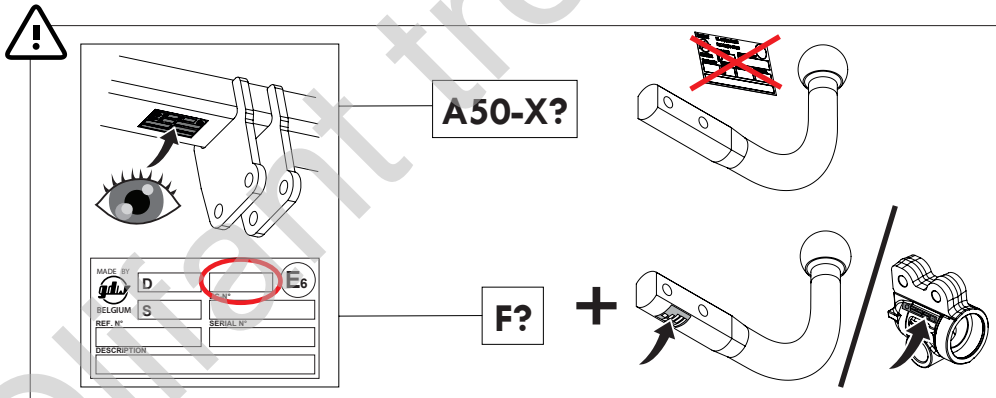
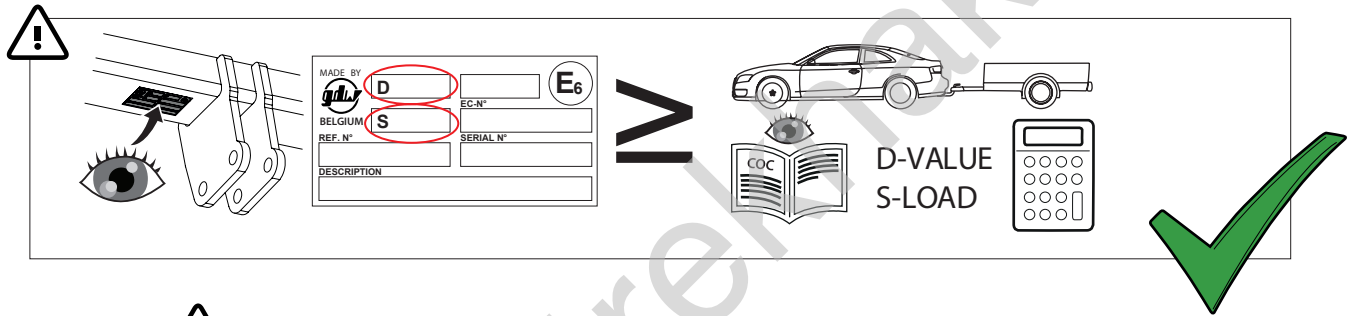
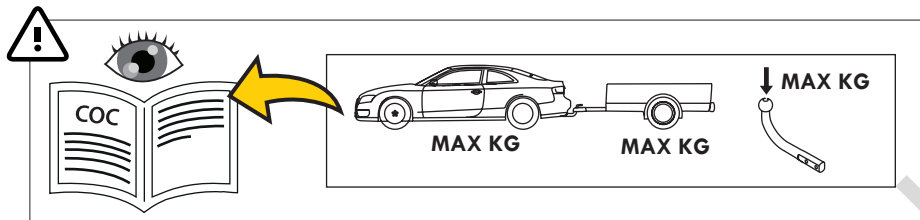
MADE BY 	D 8,25	F	E6
BELGIUM	S 80	55R-02 1693	
REF N°		SERIAL N°	
2605		XXXX	
DESCRIPTION			
Citroën C5 Aircross Plug-In Hybrid			

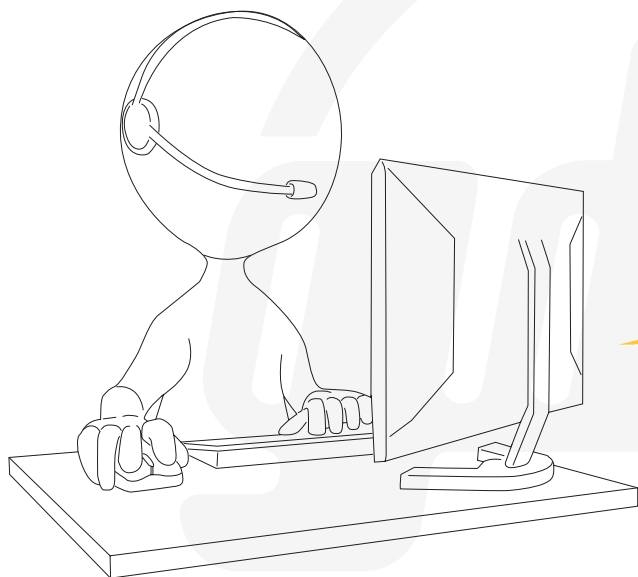
 

$$D = \frac{\text{max kg (car)} \times \text{max kg (trailer)}}{\text{max kg (car)} + \text{max kg (trailer)}} \times 0.00981 \leq 8,25 \text{ kN}$$

$$S = \begin{cases} \leq 80 \text{ kg} \\ \leq 1325 \text{ kg} \end{cases}$$

See the Certificate Of Conformity (COC) of your vehicle or contact your dealer to verify the max. trailer weight of your car!

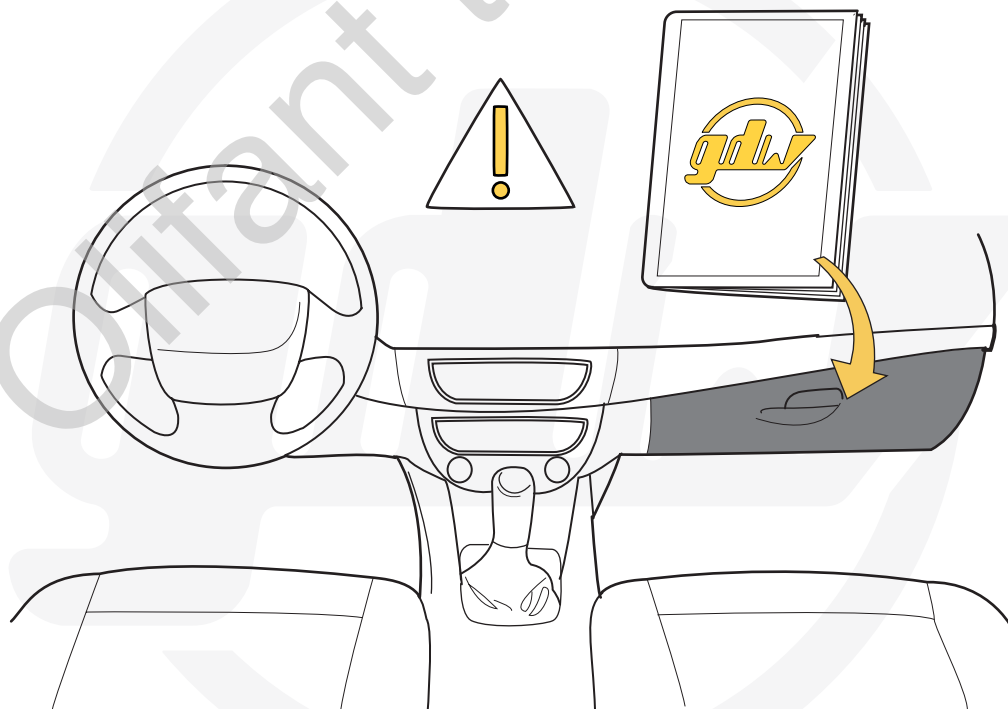


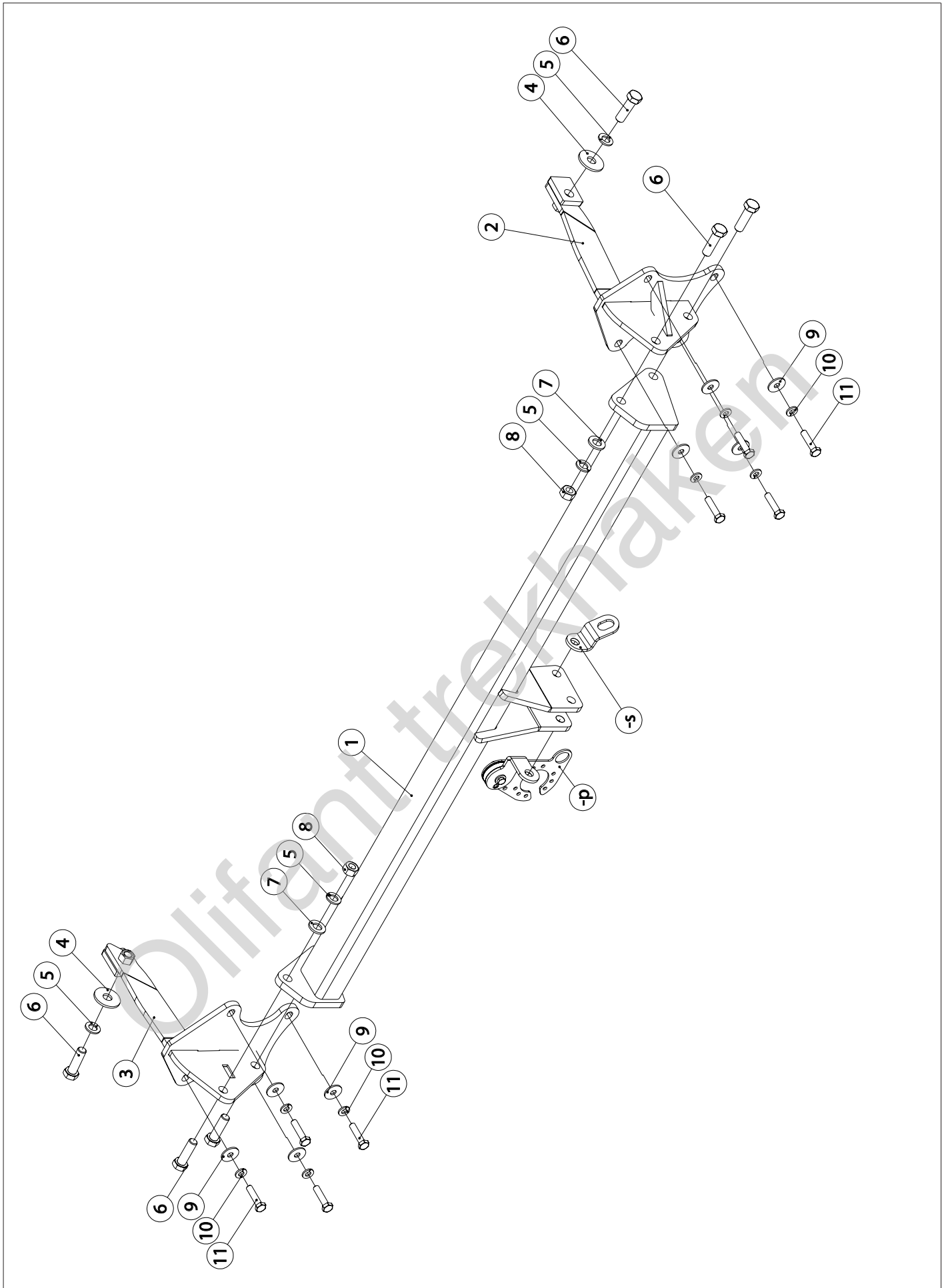


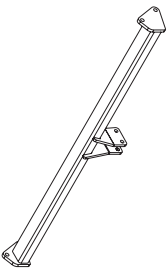
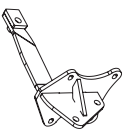
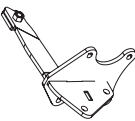









helpdesk@gdwtowbars.com

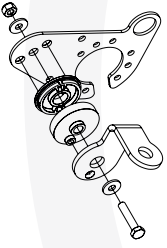




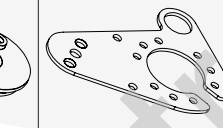


+32 56 62 77 79

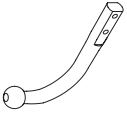
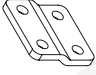



Monday	08:00 - 12:00	12:30 - 16:30
Tuesday	08:00 - 12:00	12:30 - 16:30
Wednesday	08:00 - 12:00	12:30 - 16:30
Thursday	08:00 - 12:00	12:30 - 16:30
Friday	08:00 - 12:00	12:30 - 15:30






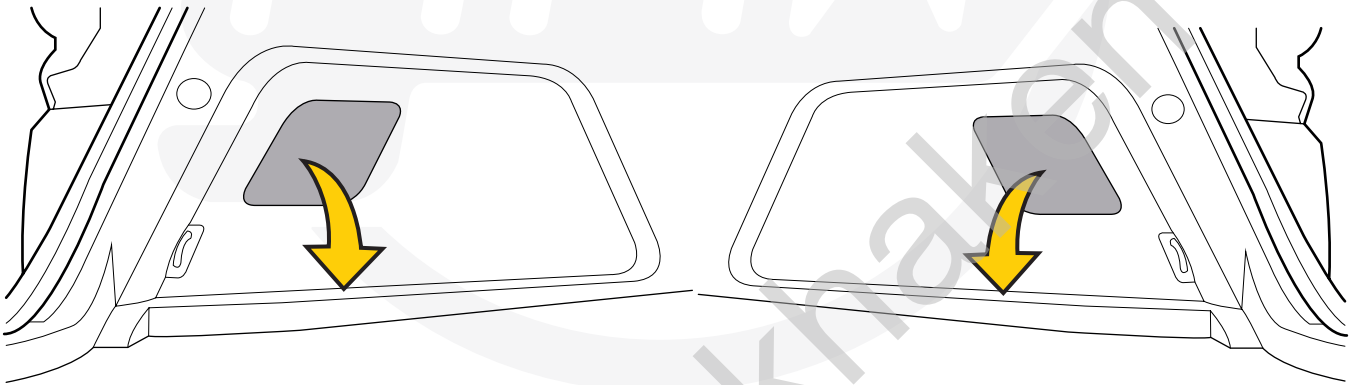
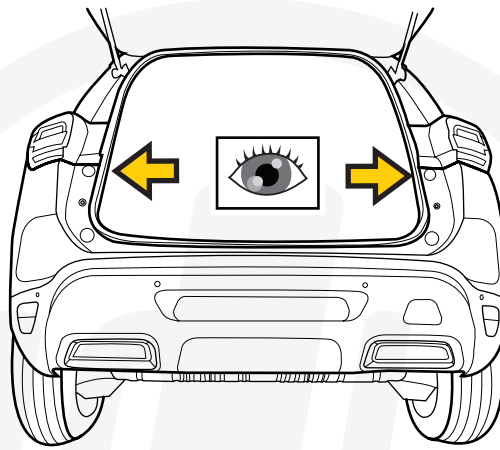
1		X1	GDW REF. 2605
2		X2	GDW REF. 2
3		X1	GDW REF. 3
4		X2	DIN9021-M12-ELVZ
5		X6	DIN128A-M12
6		X6	DIN933-M12X40
7		X4	DIN125-A12-140HV-ELVZ
8		X4	DIN934-M12
9		X8	DIN9021-M8-ELVZ
10		X8	DIN128A-M8
11		X8	DIN933-M8X35
-5		X1	GDW REF. 900.053

-P		X1	GDW REF. P39
↑		X1	DIN985-M6
↑		X2	6,2 X 15,4 X 1,6 (NYLON)
↑		X1	GDW REF. 718.16.002
↑		X1	GDW REF. 718.16.003
↑		X1	GDW REF. 908.094
↑		X1	DIN933-M6 X 30
↑		X1	GDW REF. 908.095

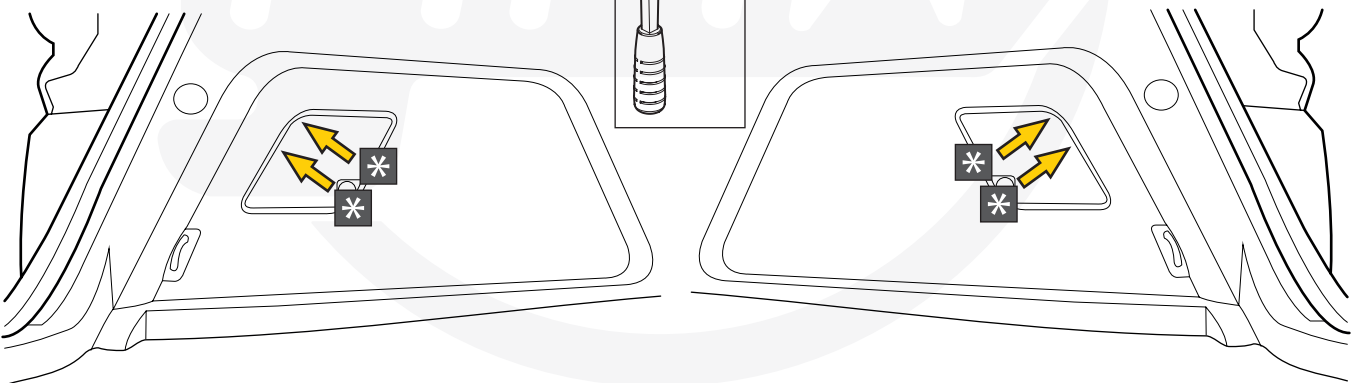
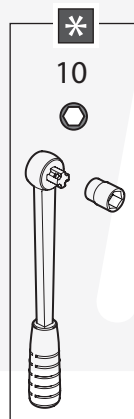
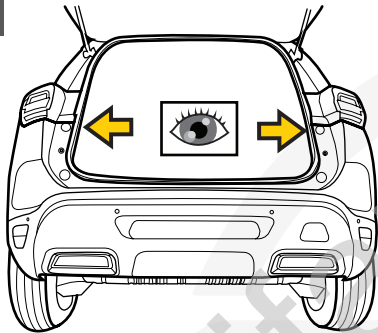
Geleverd met - Livré avec - Delivered with Gefleert mit - Elementos adjuntos - Levers med		X1	944.H006
		X2	GDW REF. 900.008
		X2	GDW REF. 900.011 Ø 21.3 X 11.7
		X4	DIN931-M12 X 70
		X4	DIN985-M12

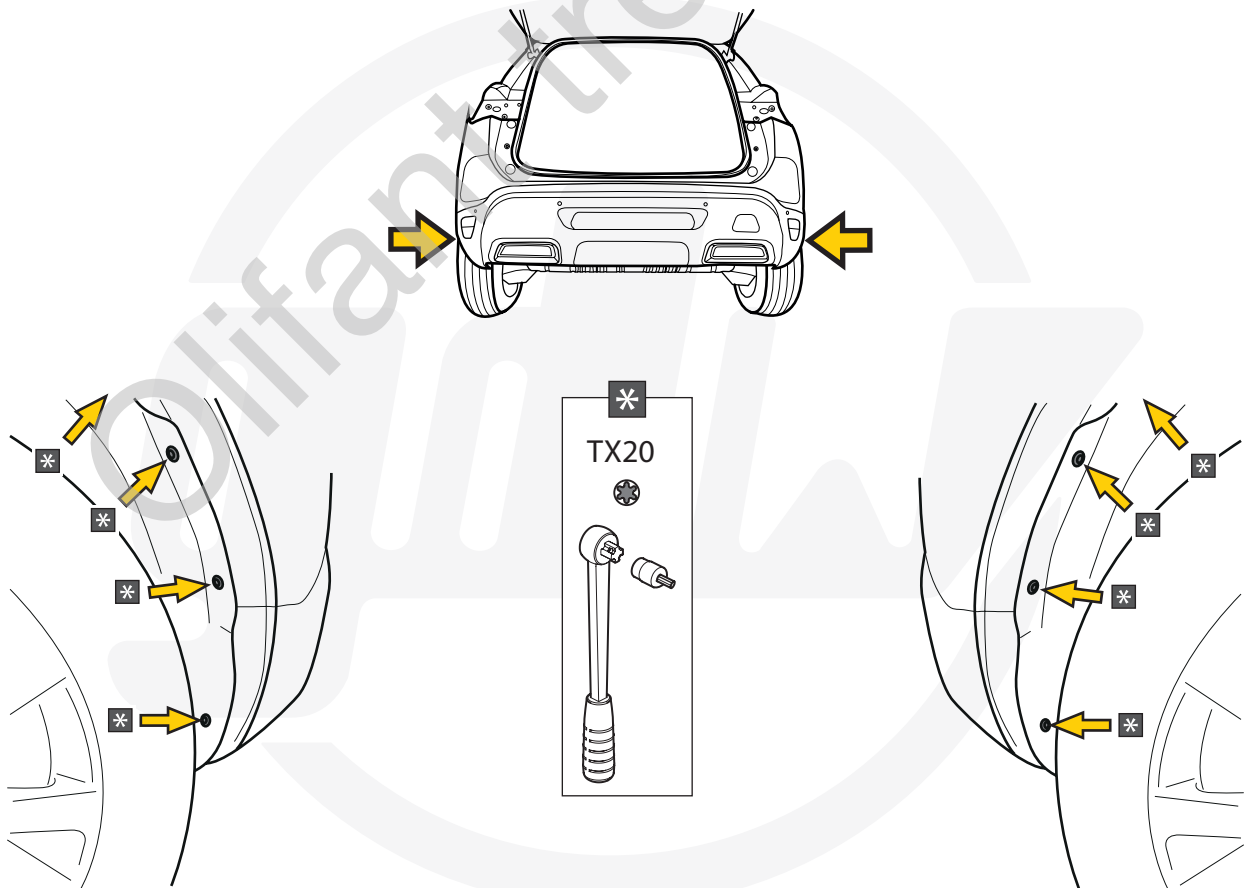
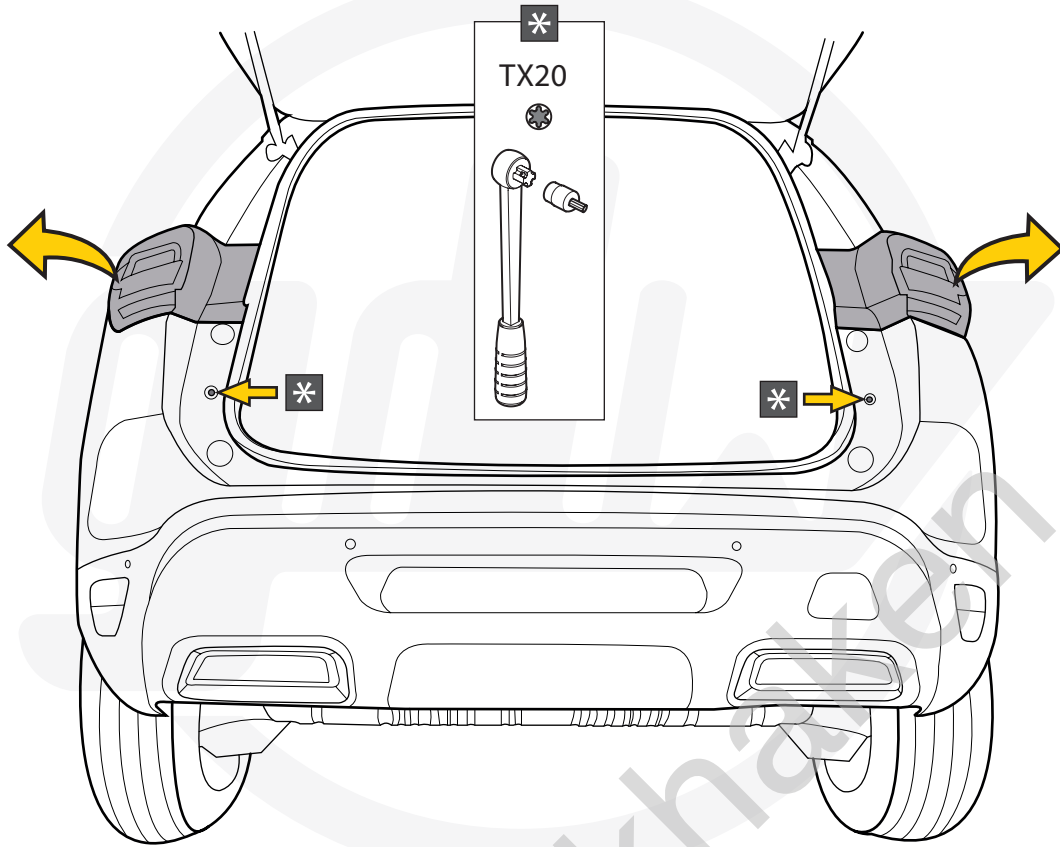
OPTION T36	
	X1
	KITT36-2605

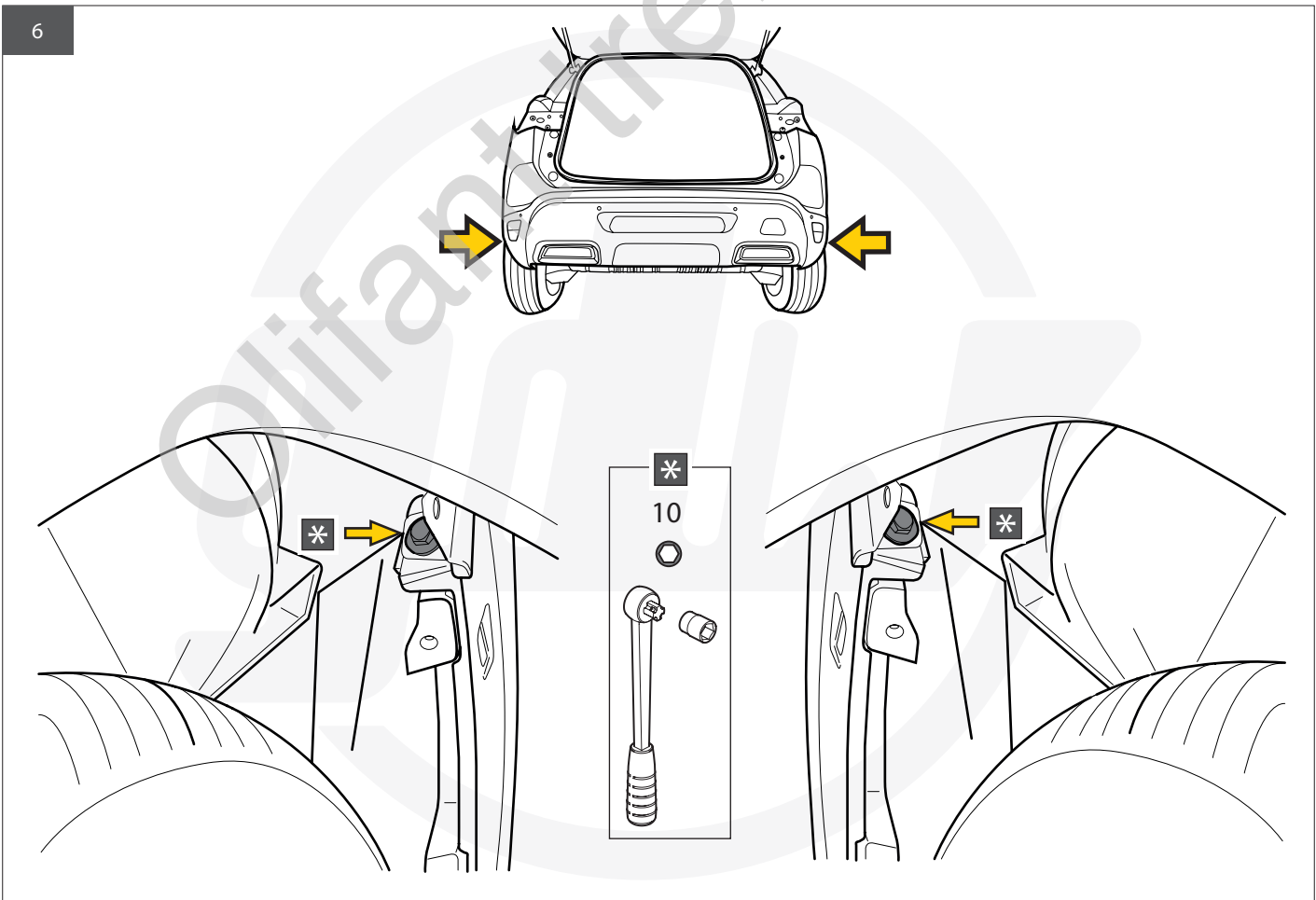
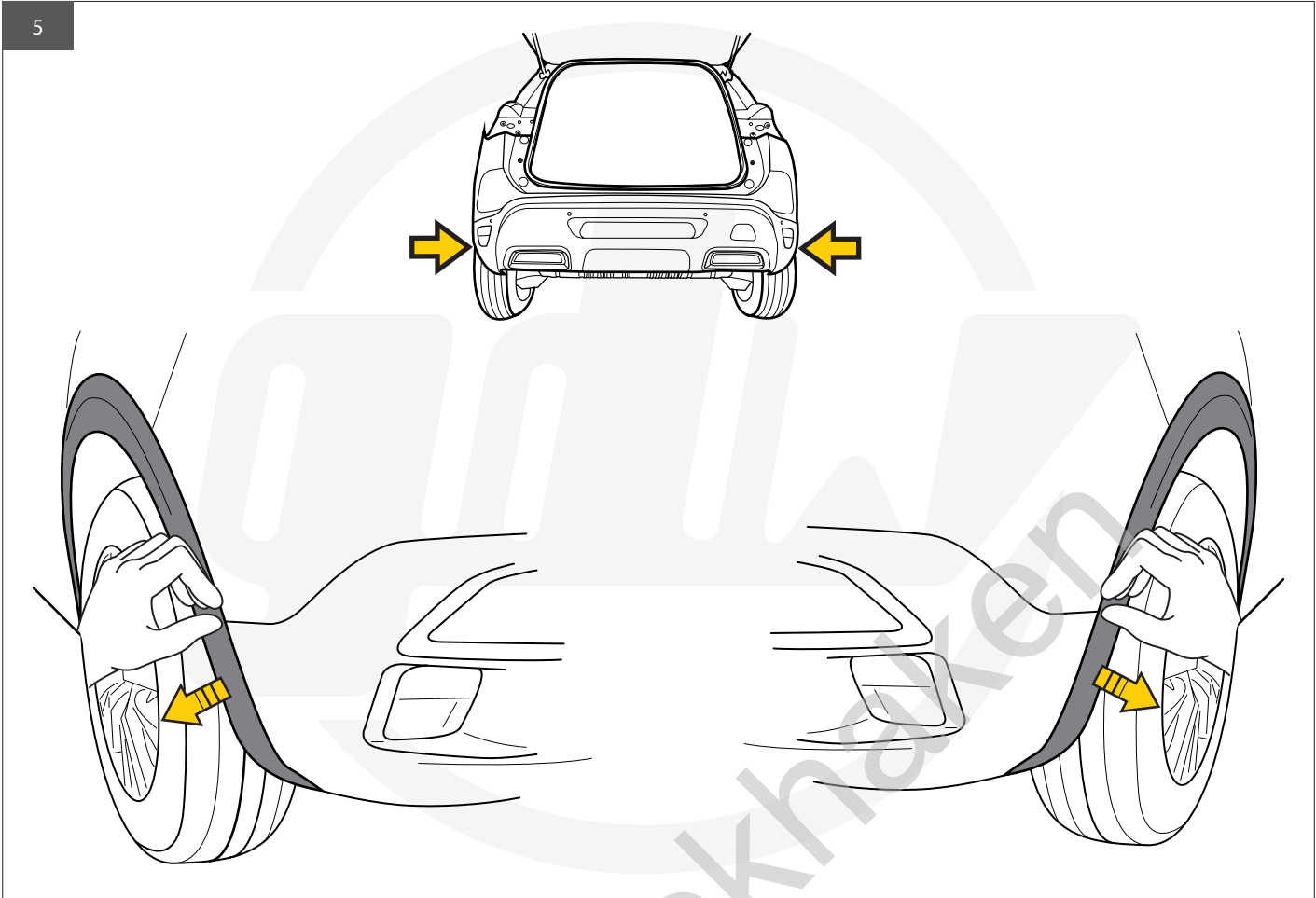
1



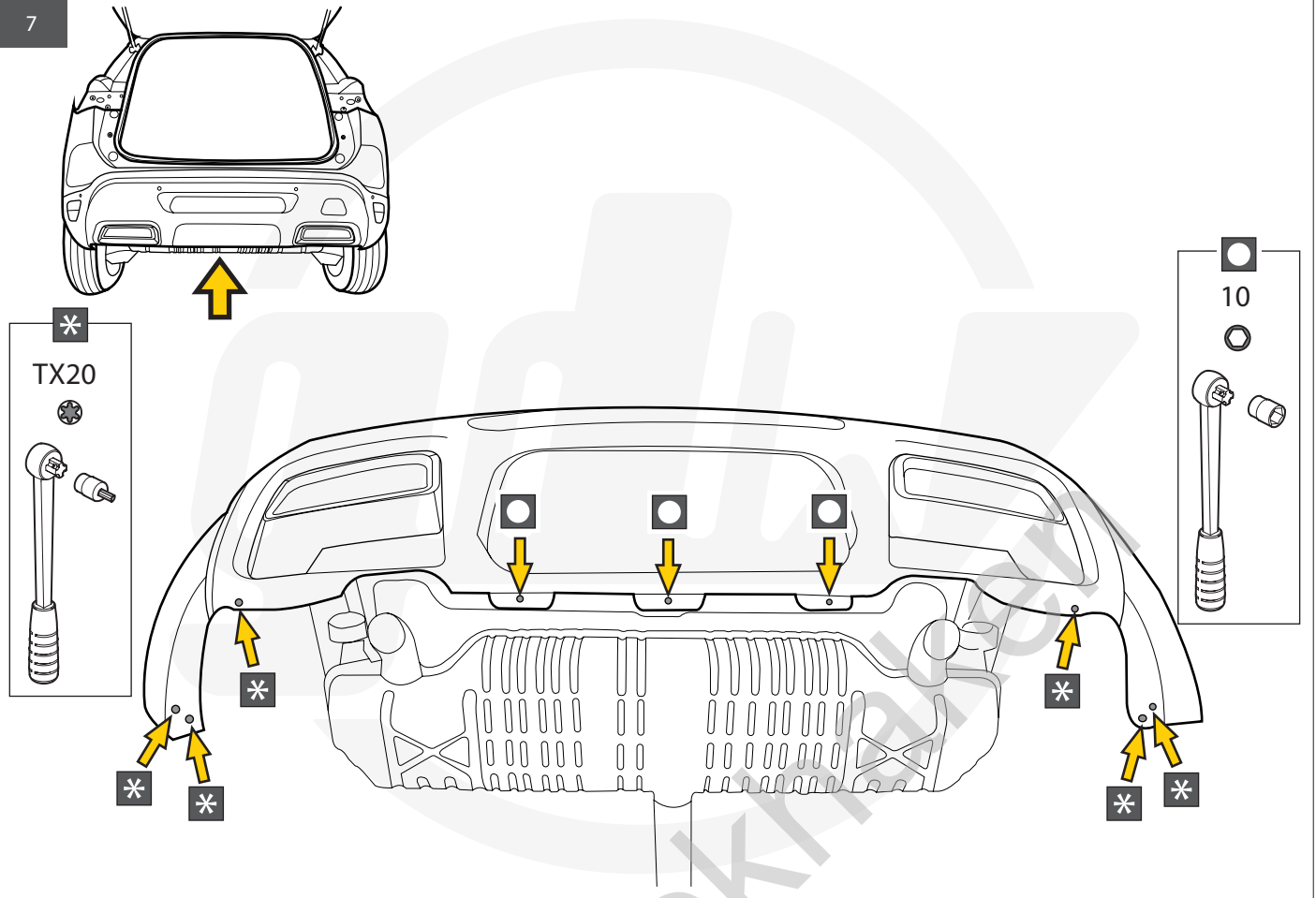
2



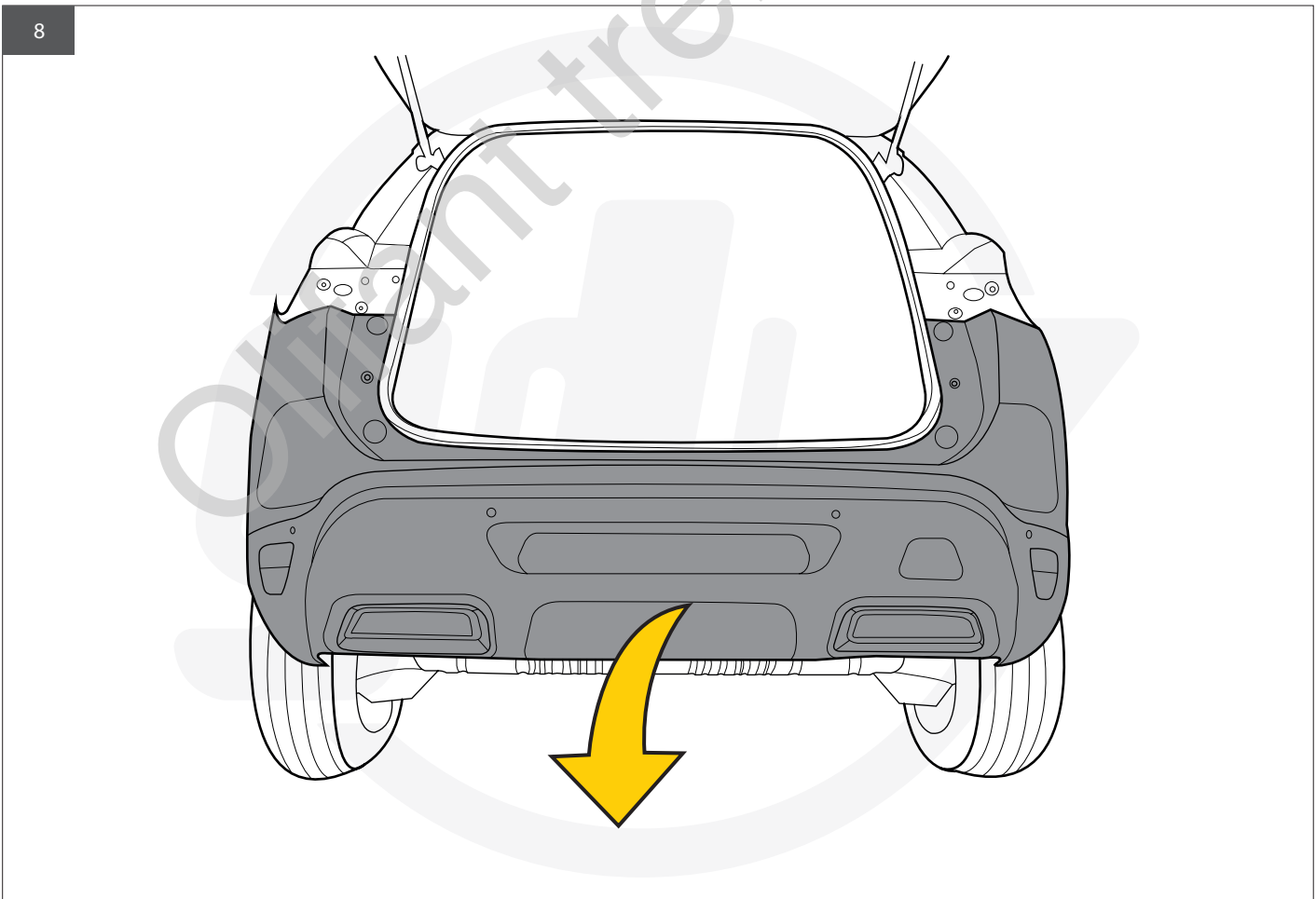


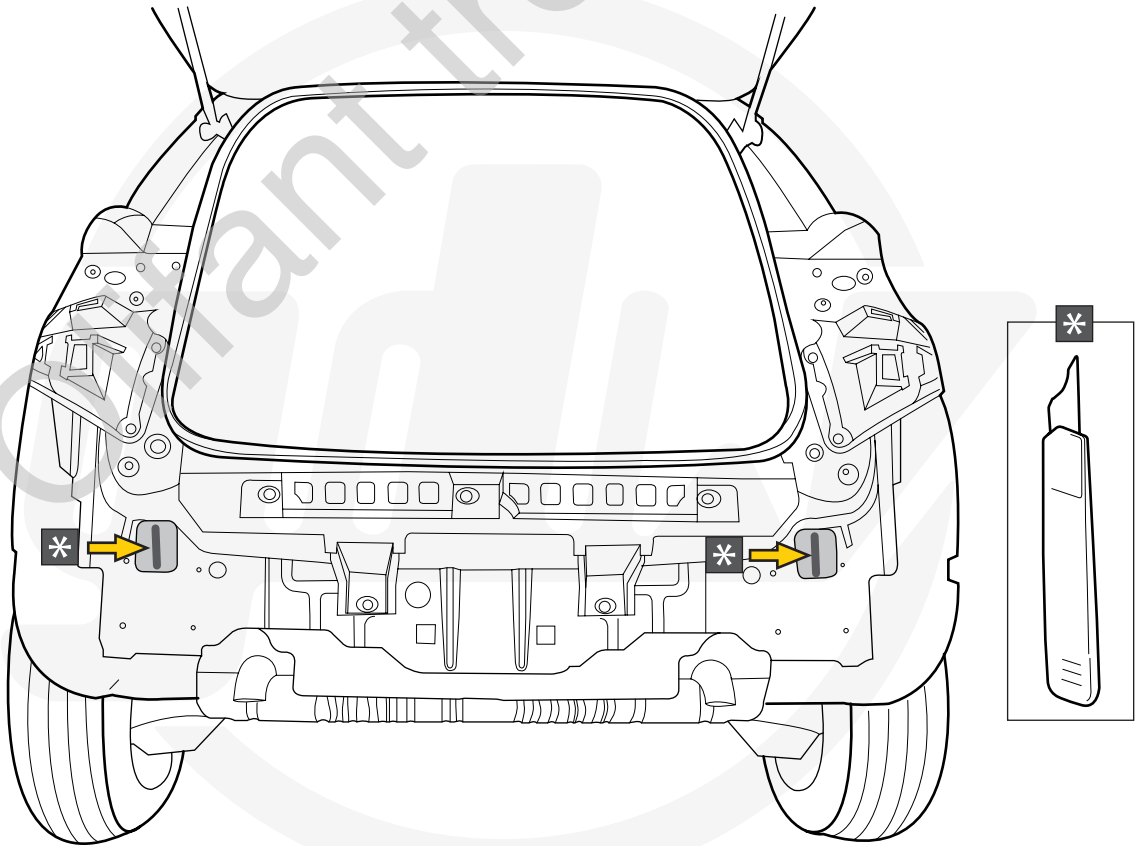
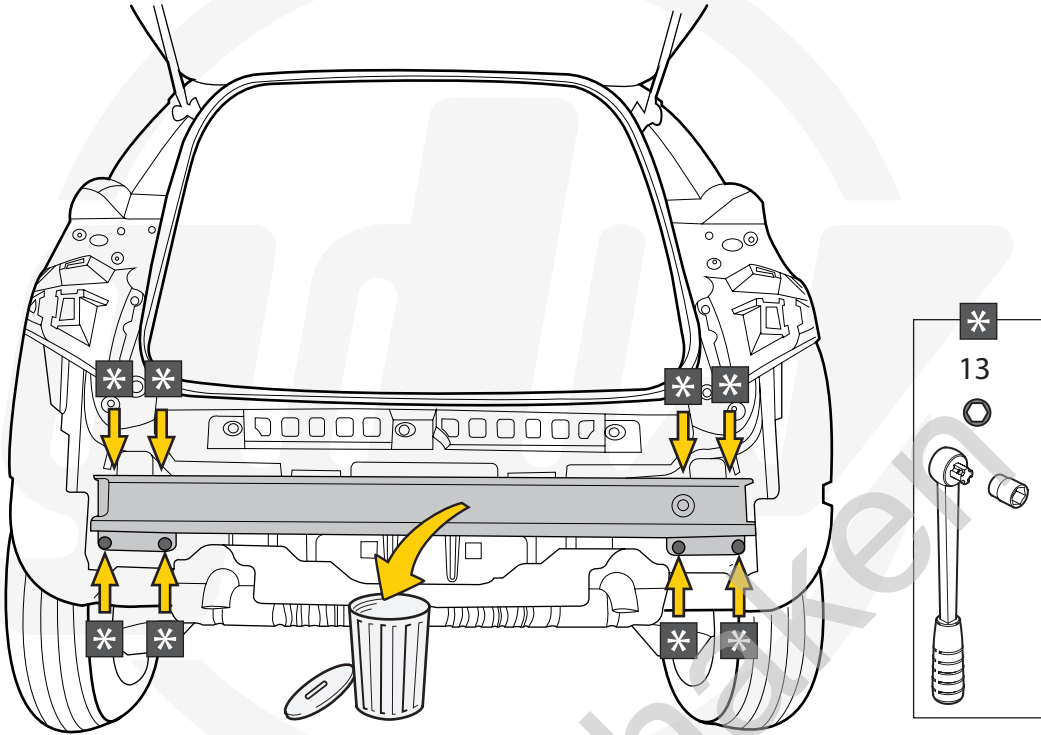


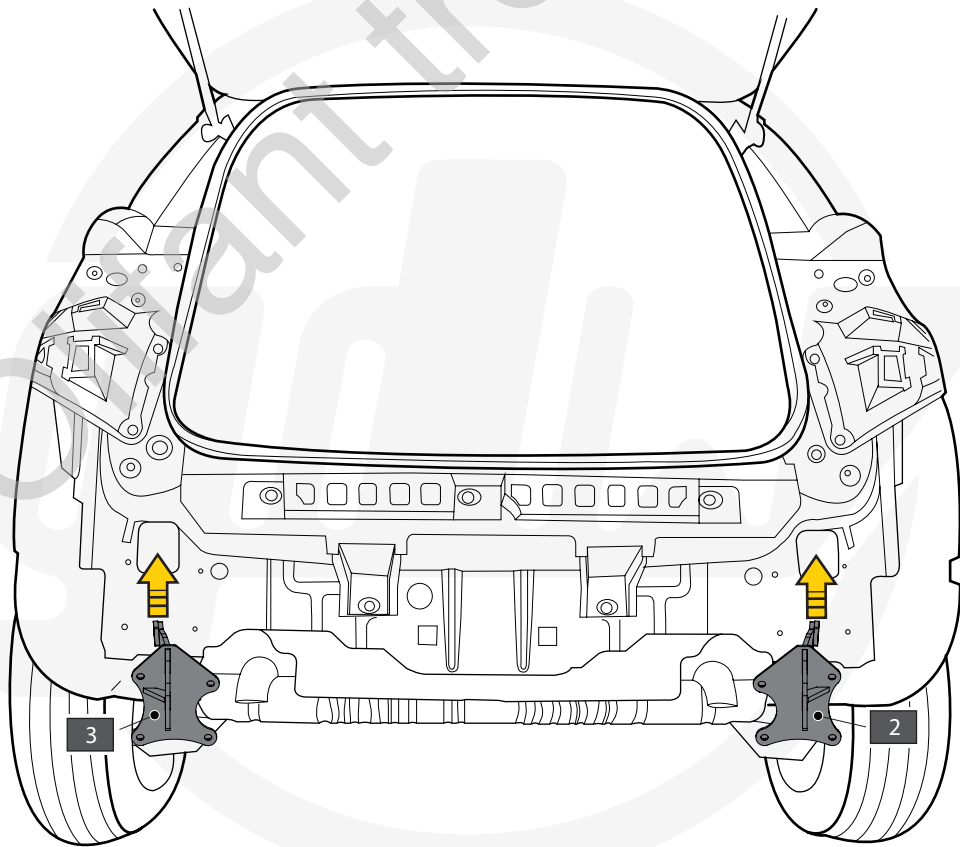
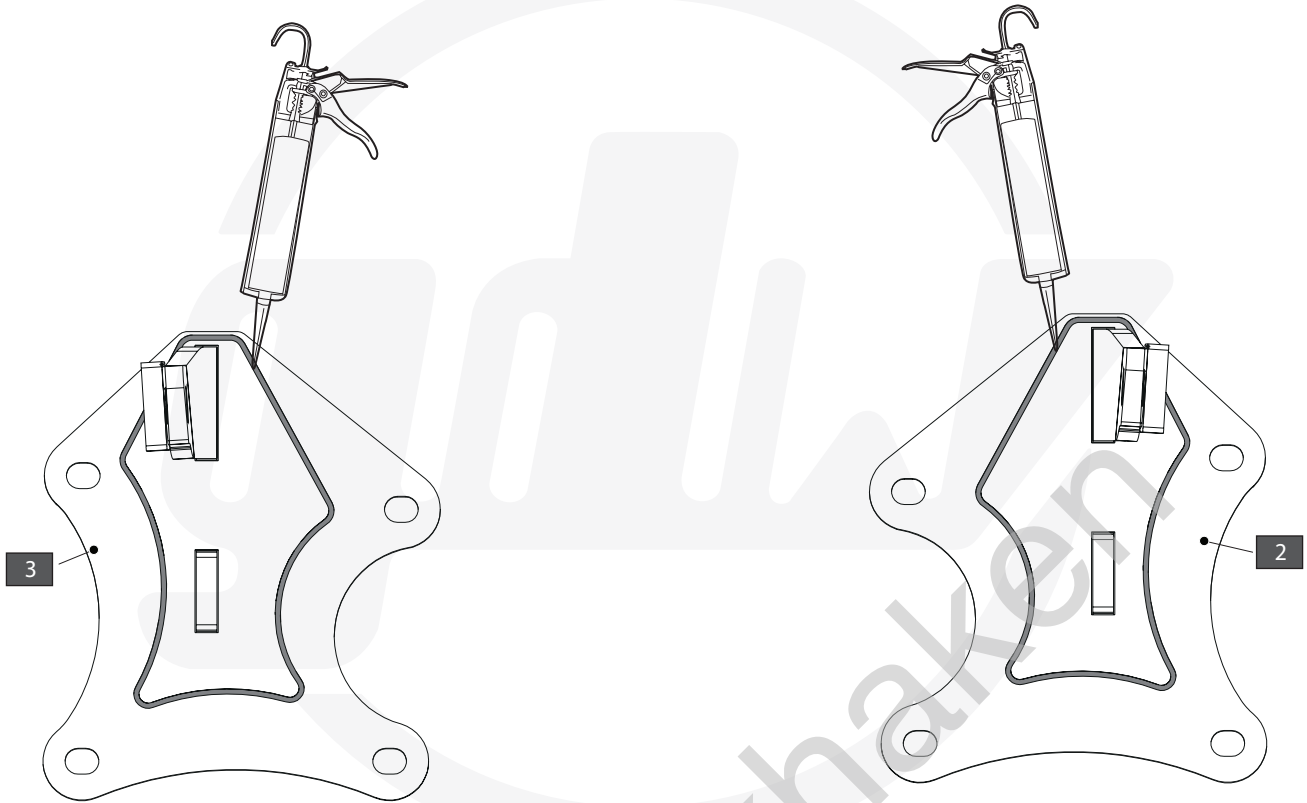
7



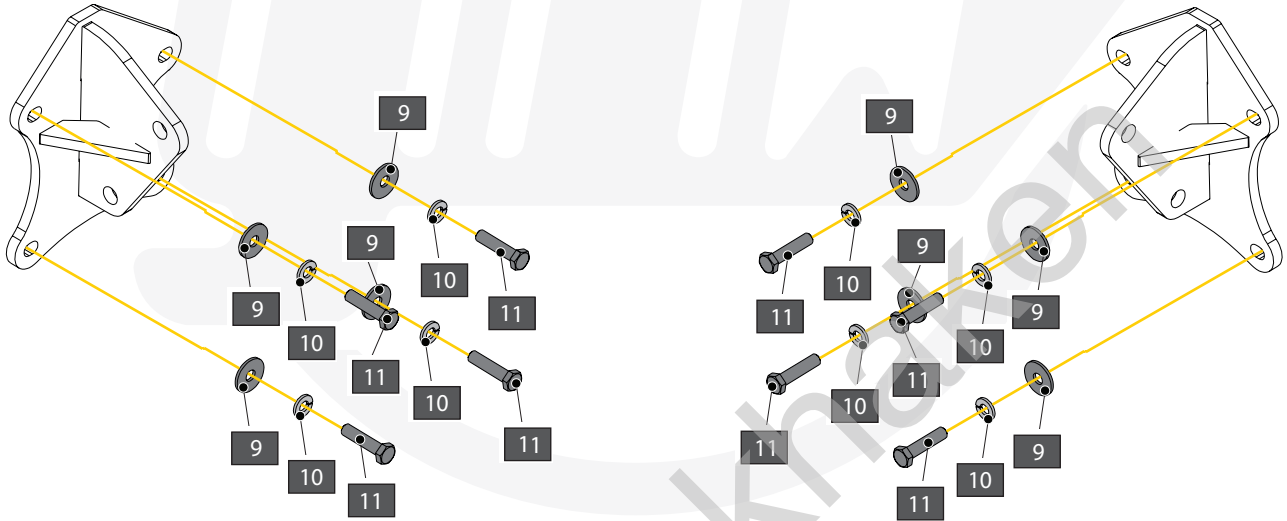
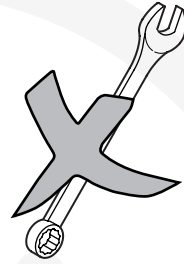
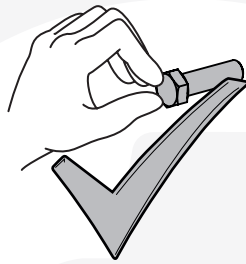
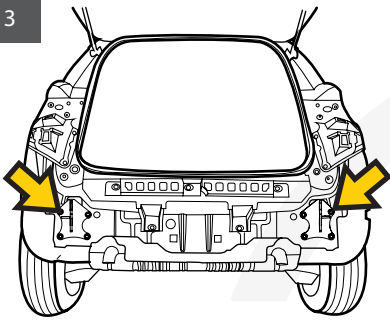
8



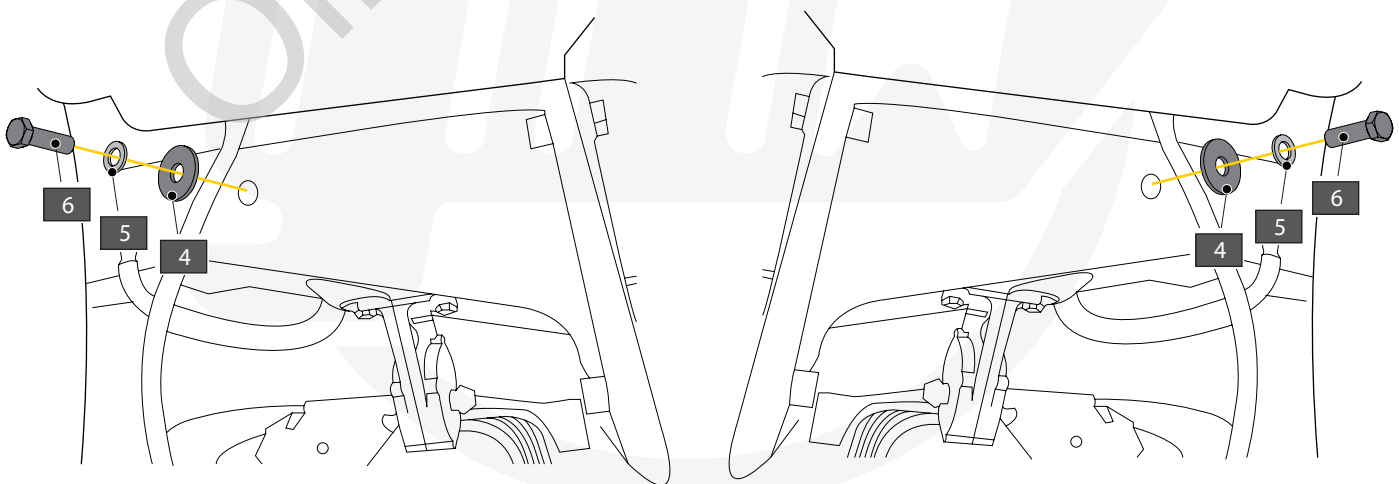
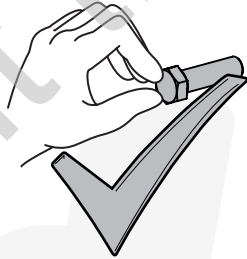
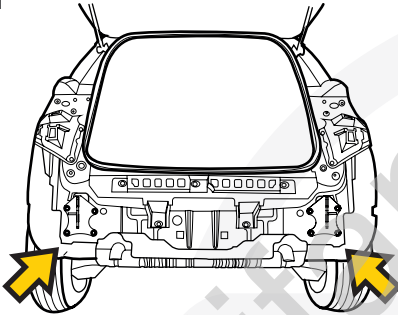


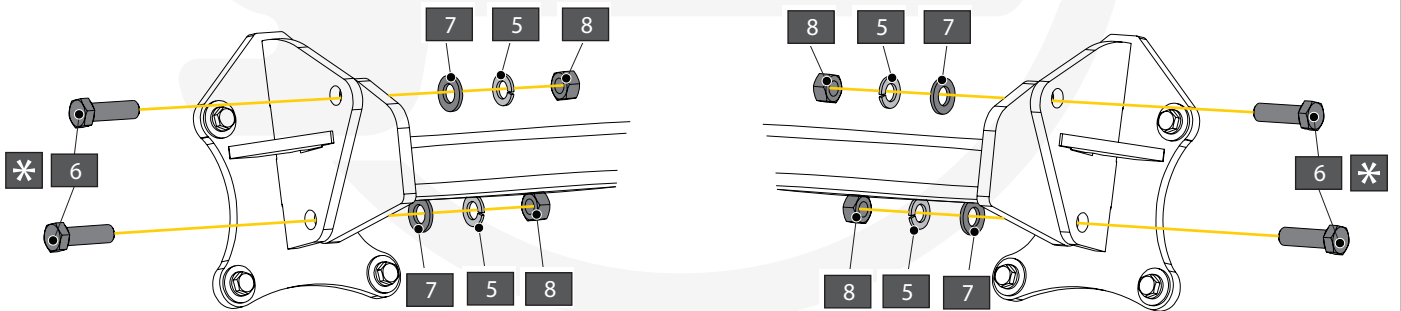
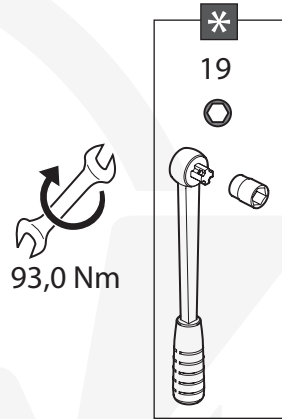
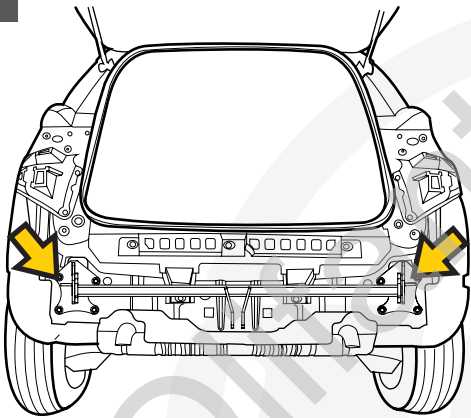
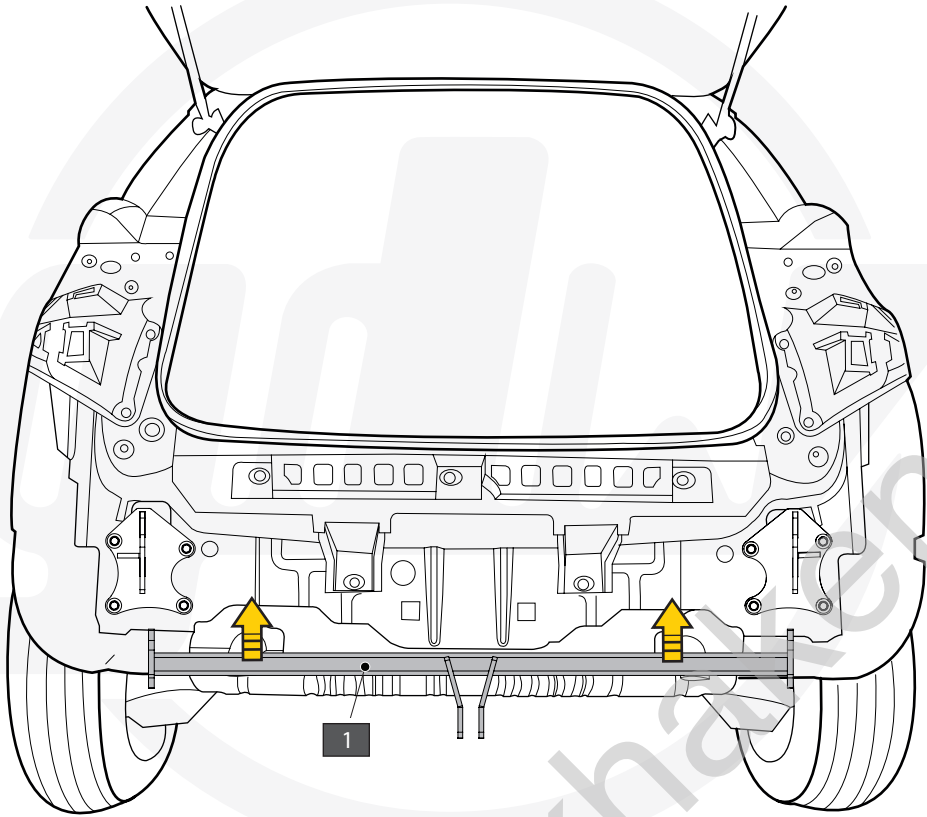


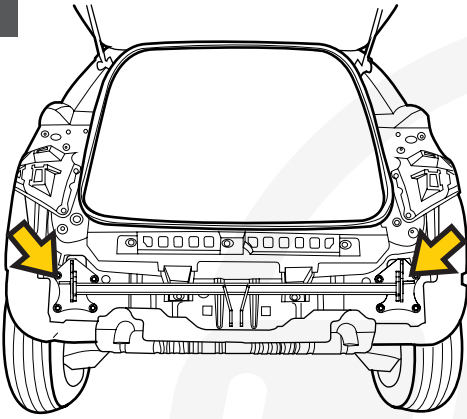
13



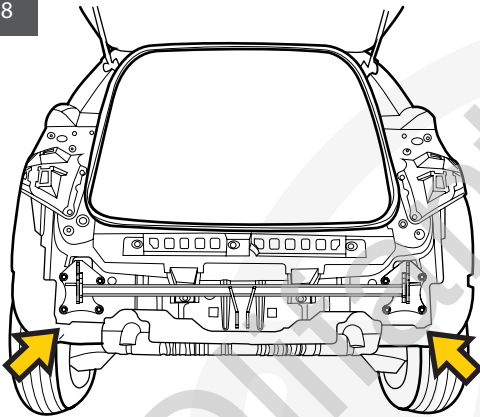
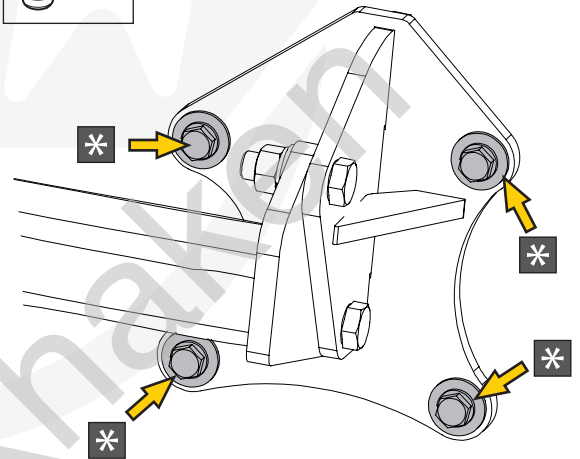
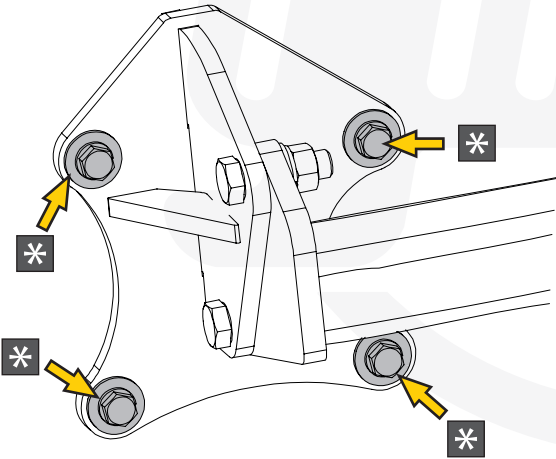
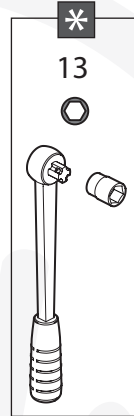
14



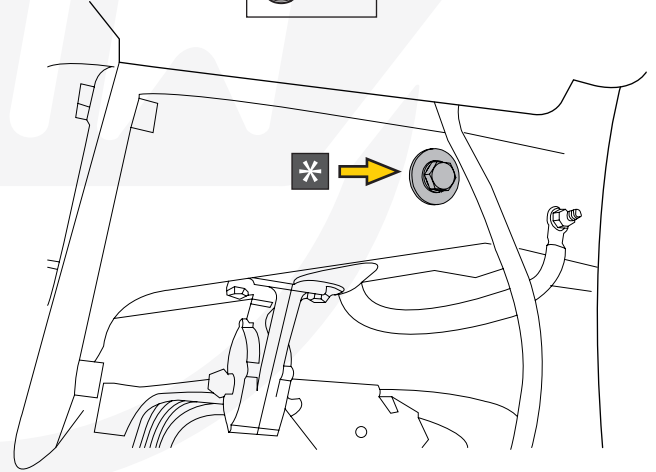
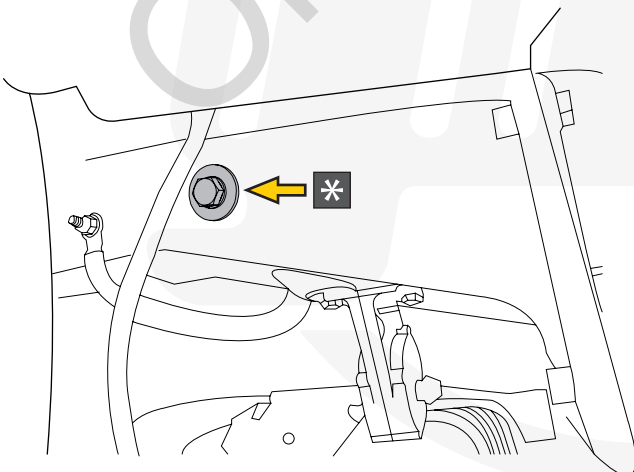
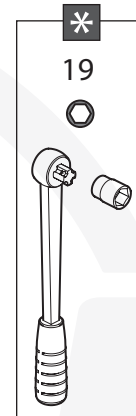


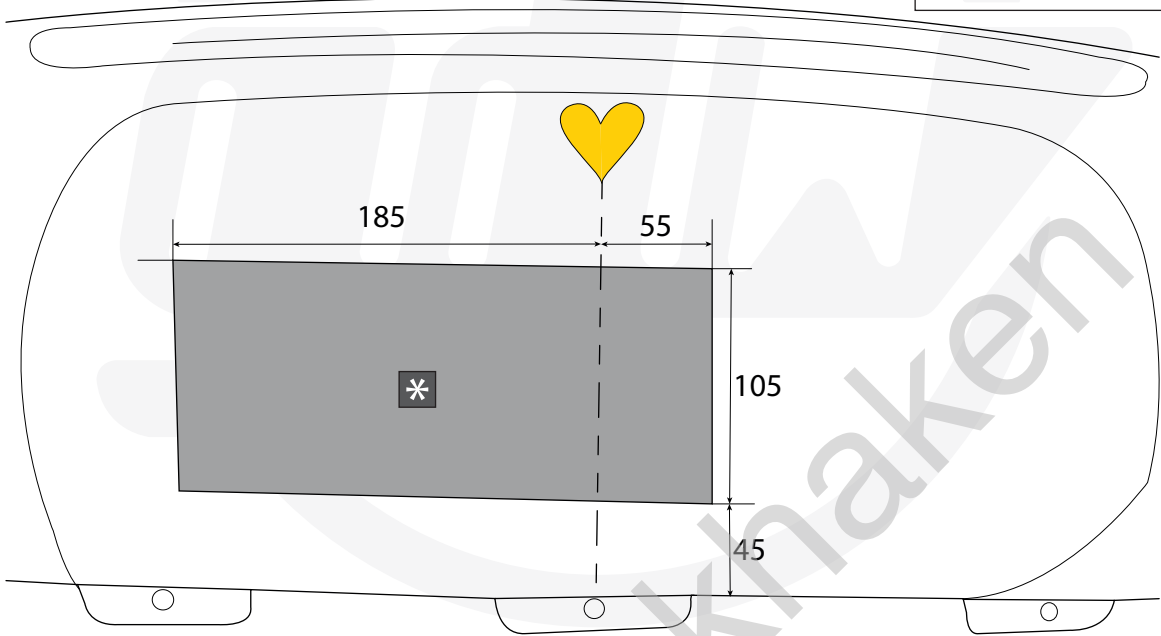
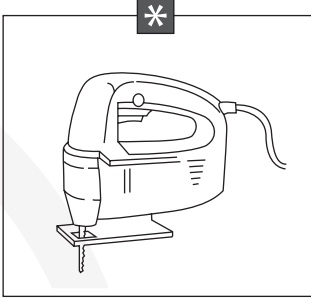



27,3 Nm

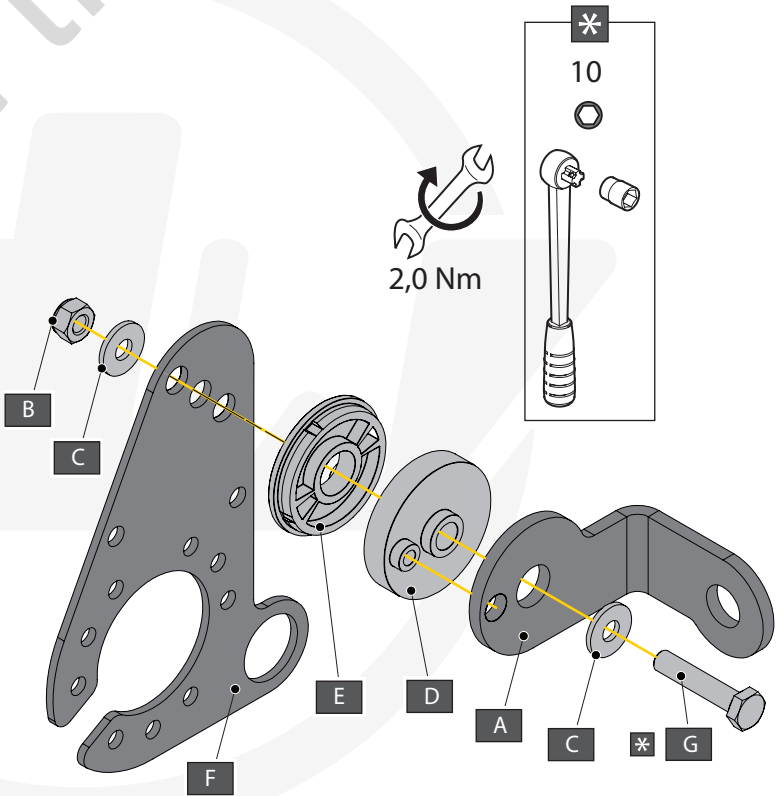


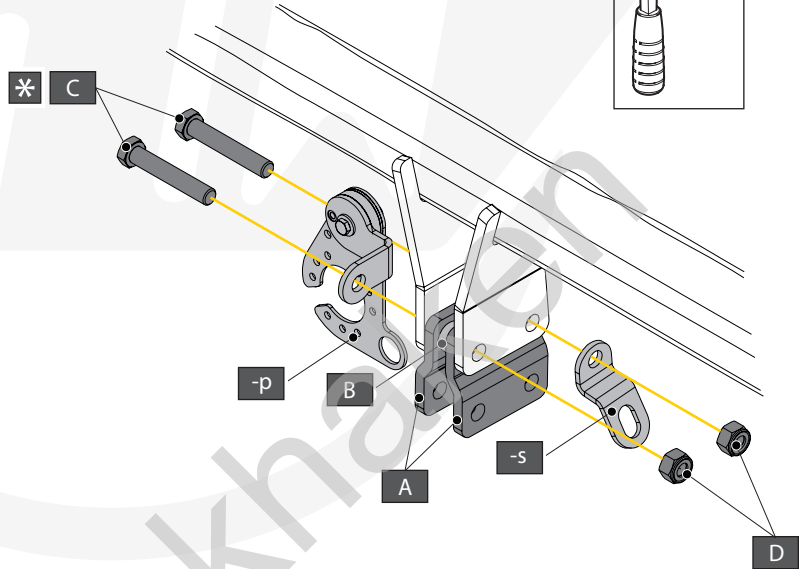
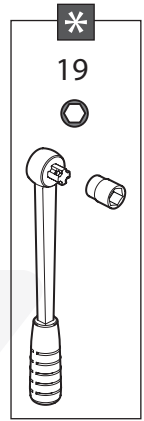
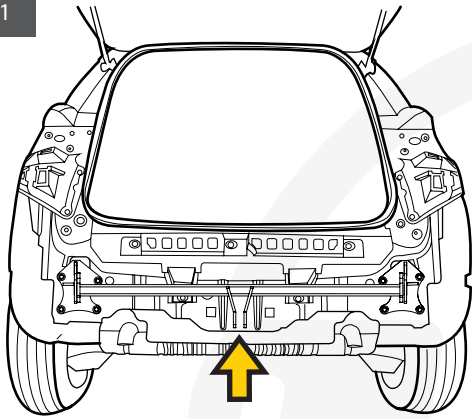

93,0 Nm



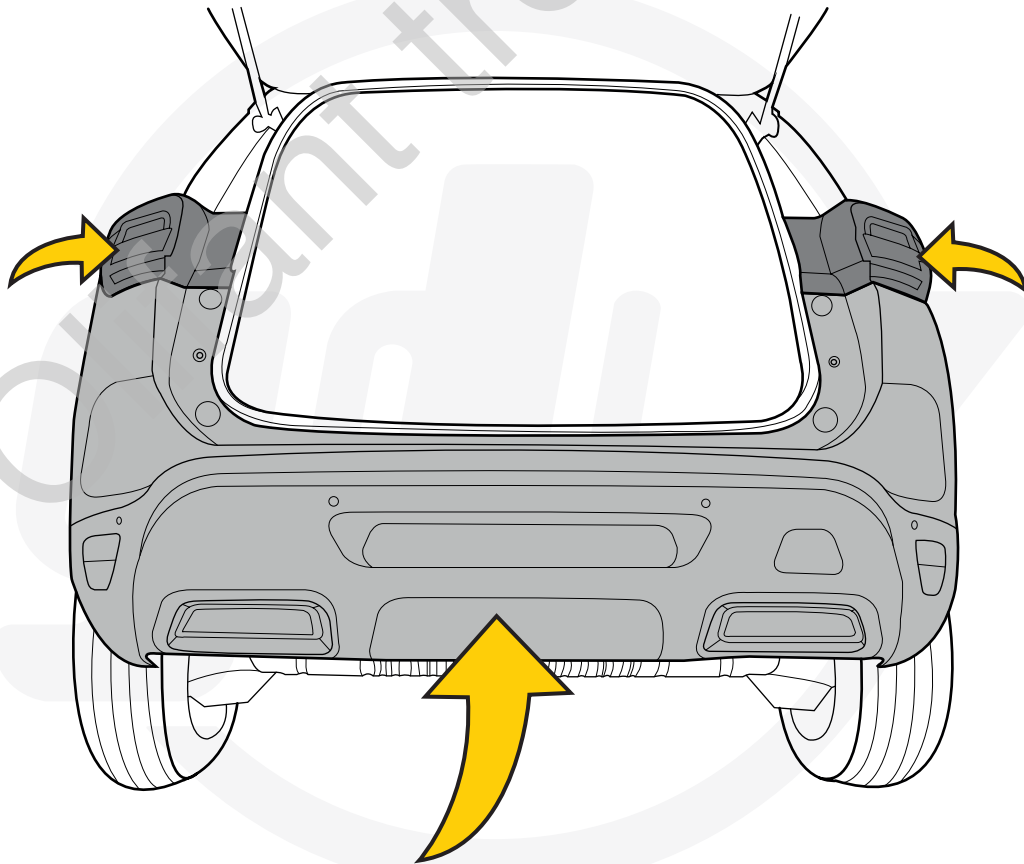


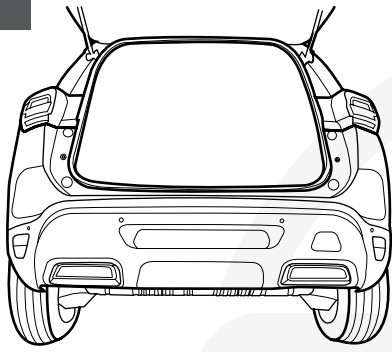
A		X1	GDW REF. 908.095
B		X1	DIN985-M6
C		X2	6,2 X 15,4 X 1,6 (NYLON)
D		X1	GDW REF. 718.16.002
E		X1	GDW REF. 718.16.003
F		X1	GDW REF. 908.094
G		X1	DIN933-M6 X 30



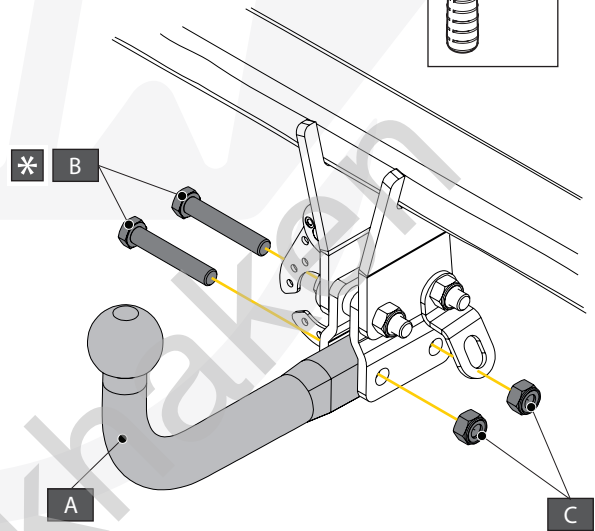
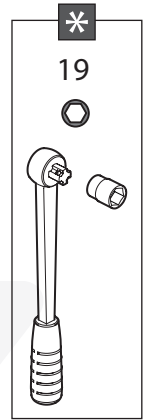


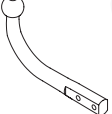
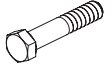

A		X2	GDW REF. 900.008
B		X2	GDW REF. 900.011 Ø 21,3 X 11,7
C		X2	DIN931-M12 X 70
D		X2	DIN985-M12
-S		X1	GDW REF. 900.053





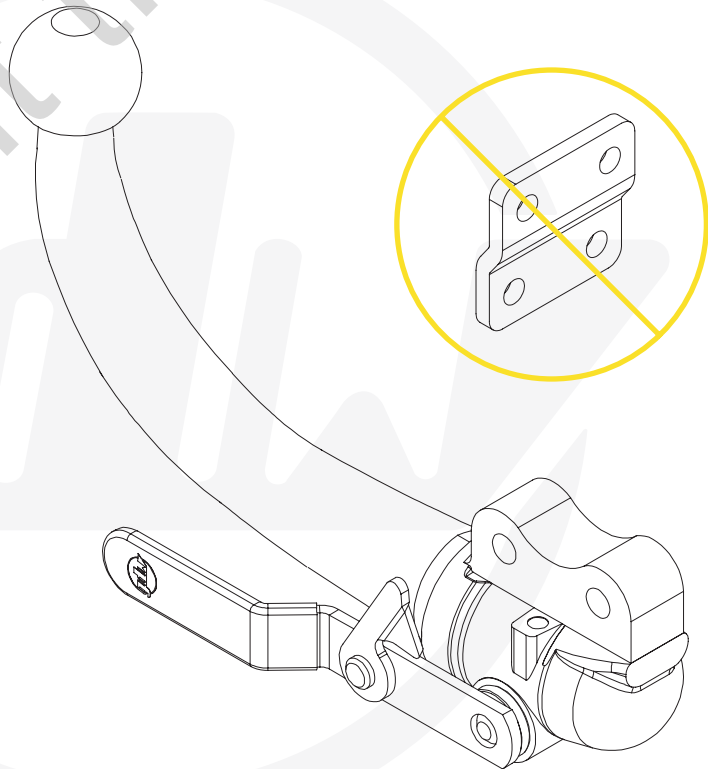
93,0 Nm




A		X1	944.H006
B		X2	DIN931-M12 X 70
C		X2	DIN985-M12

AFN

Opties - Options - Options - Optionen - Opciones - Muligheder



OPTION T36

	X1	KITT36-2605
---	----	-------------