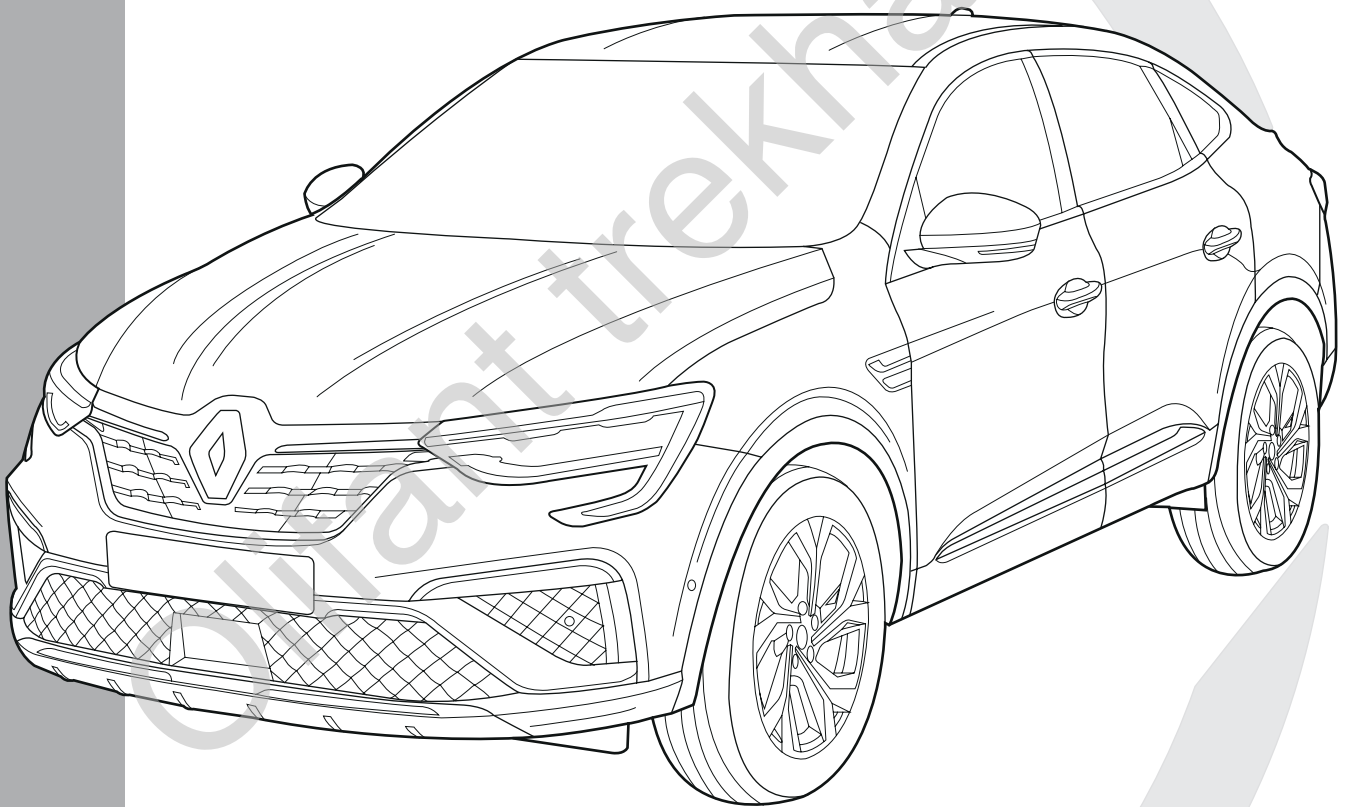


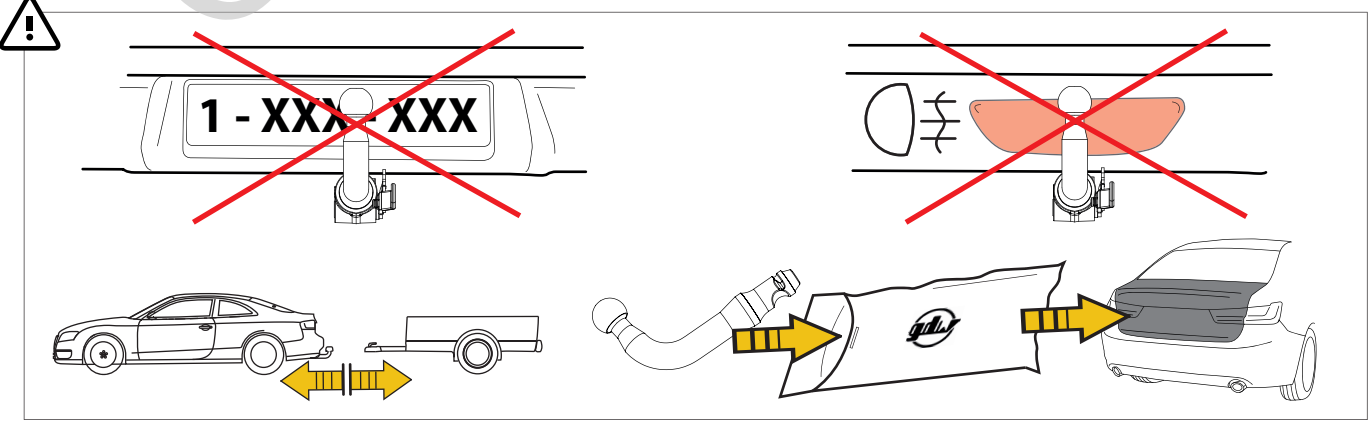
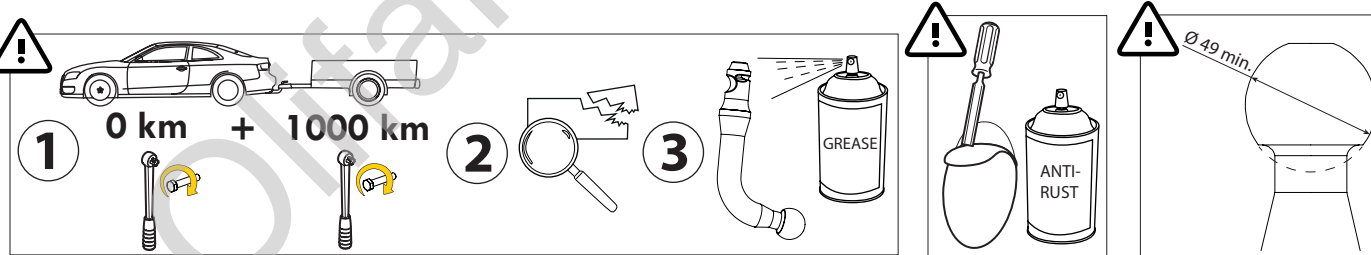
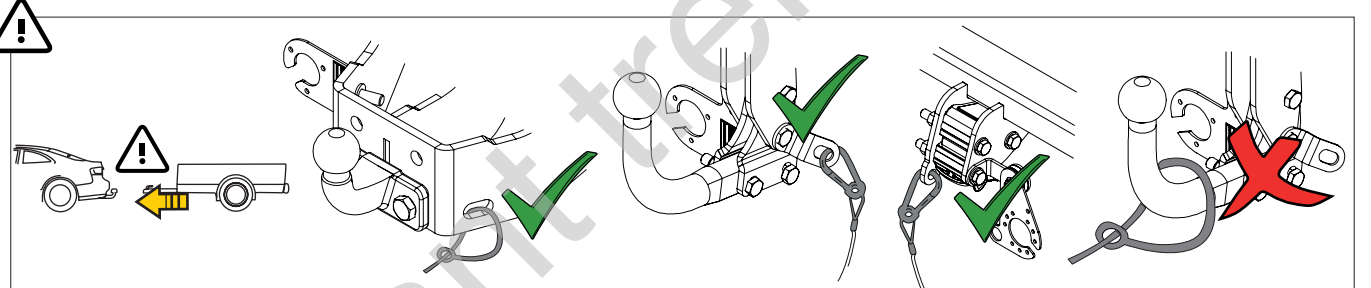
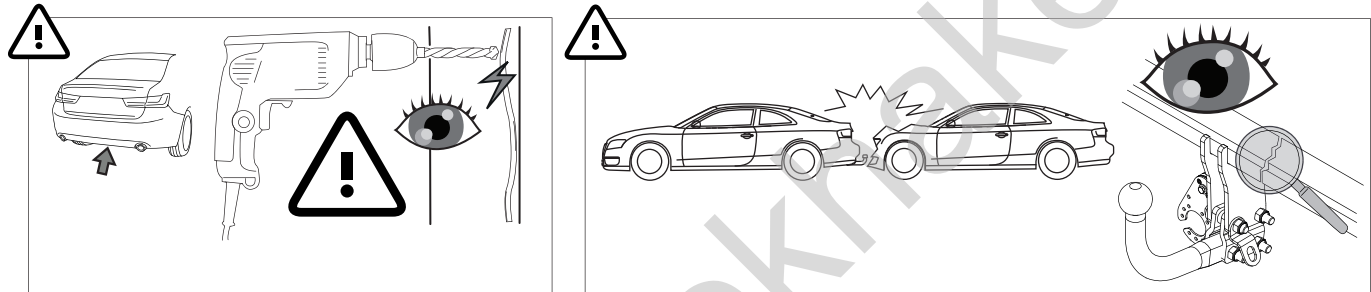
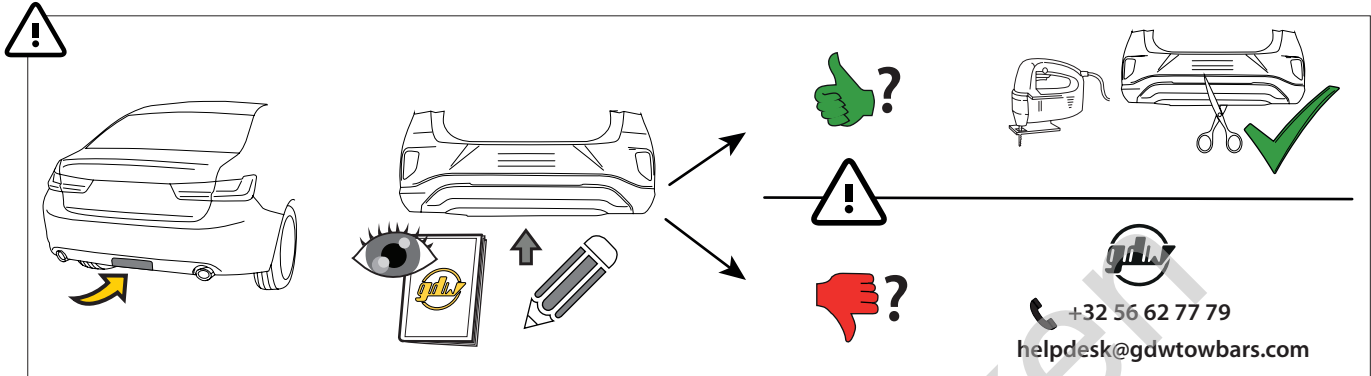
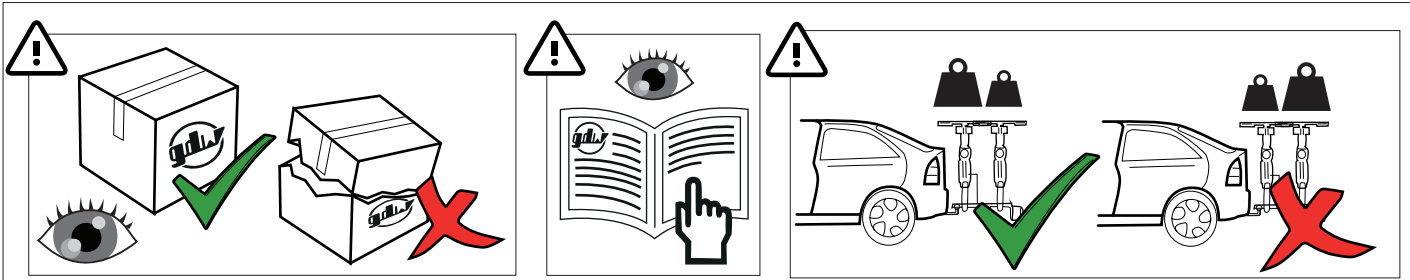


Renault Arkana (type: LCM)

09/'20-

- ✓ STANDARD
- ✓ HYBRID (E-TECH)
- ✓ RS-LINE



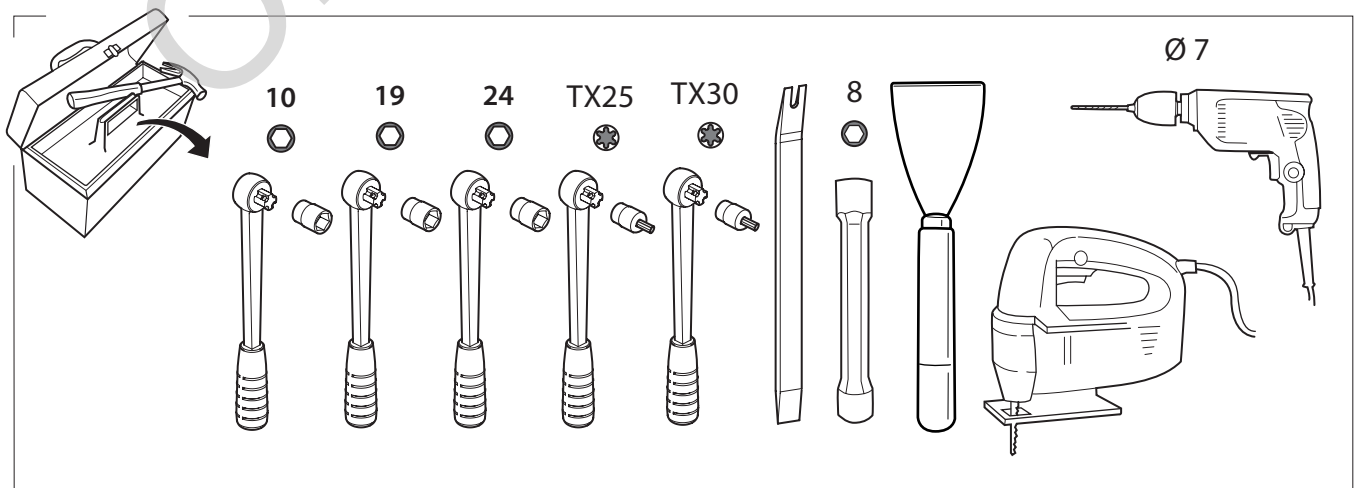
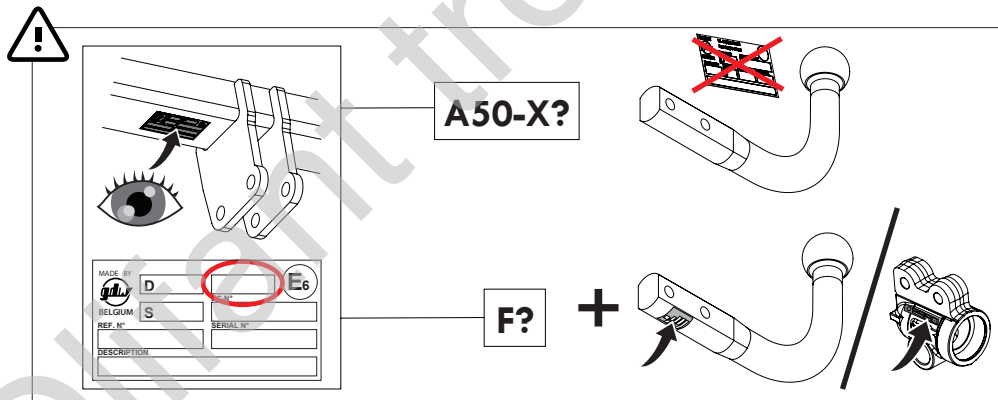
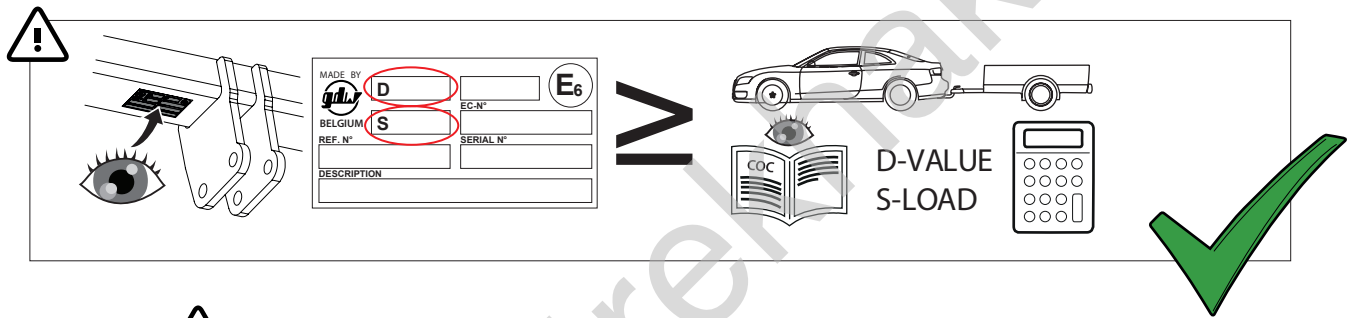
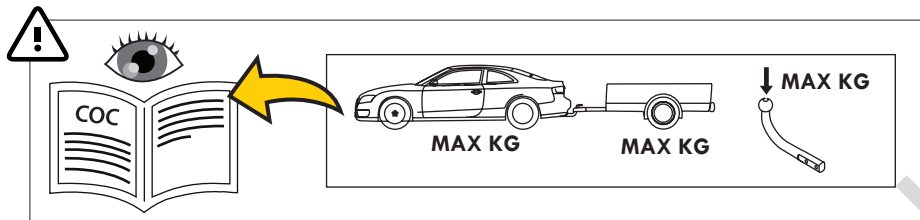


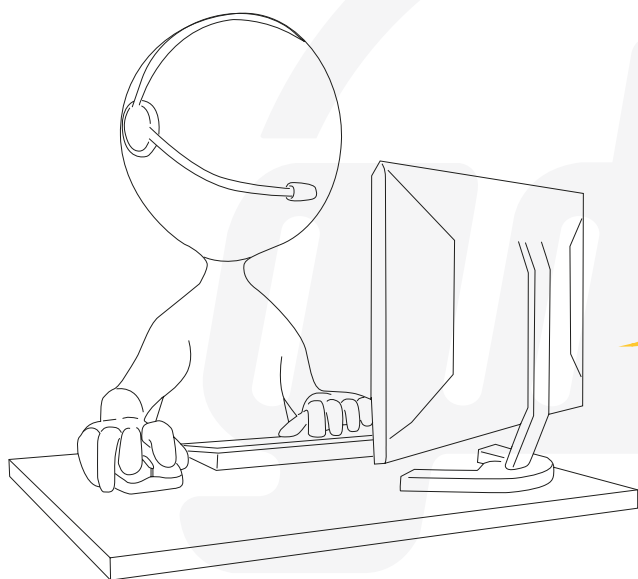
MADE BY 	D 7,00	F	E6
BELGIUM	S 85	EC-N° 55R-02 1684	
REF N° 2603		SERIAL N° XXXX	
DESCRIPTION Renault Arkana			

$$D = \frac{\text{max kg (car)} \times \text{max kg (trailer)}}{\text{max kg (car)} + \text{max kg (trailer)}} \times 0.00981 \leq 7,00 \text{ kN}$$

S = ≤ 85 kg ≤ 1100 kg

See the Certificate Of Conformity (COC) of your vehicle or contact your dealer to verify the max. trailer weight of your car!

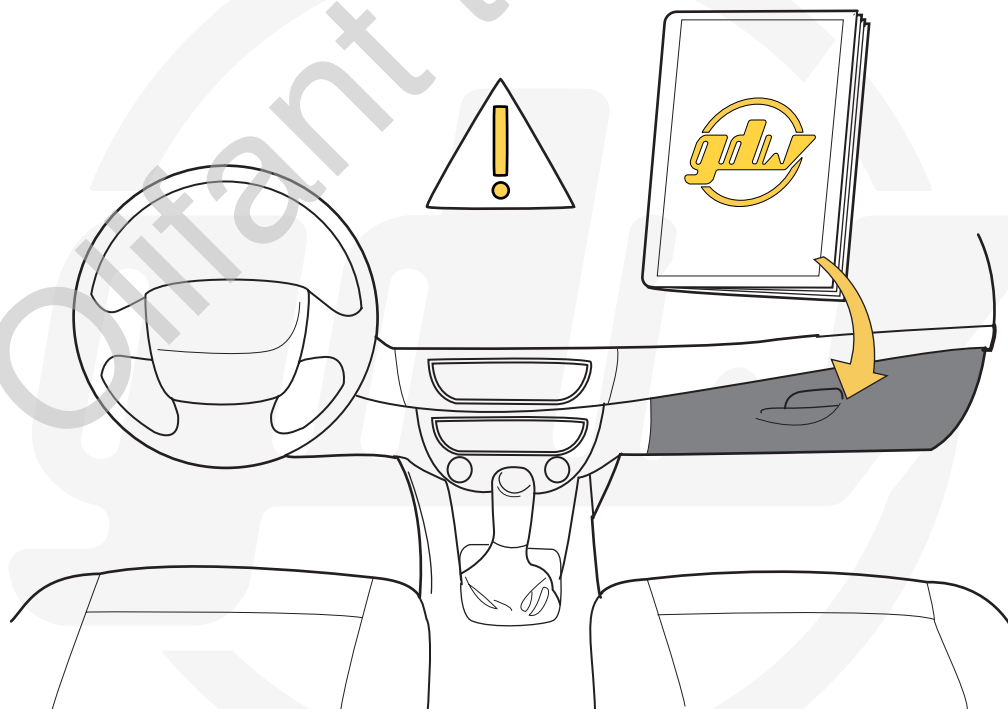


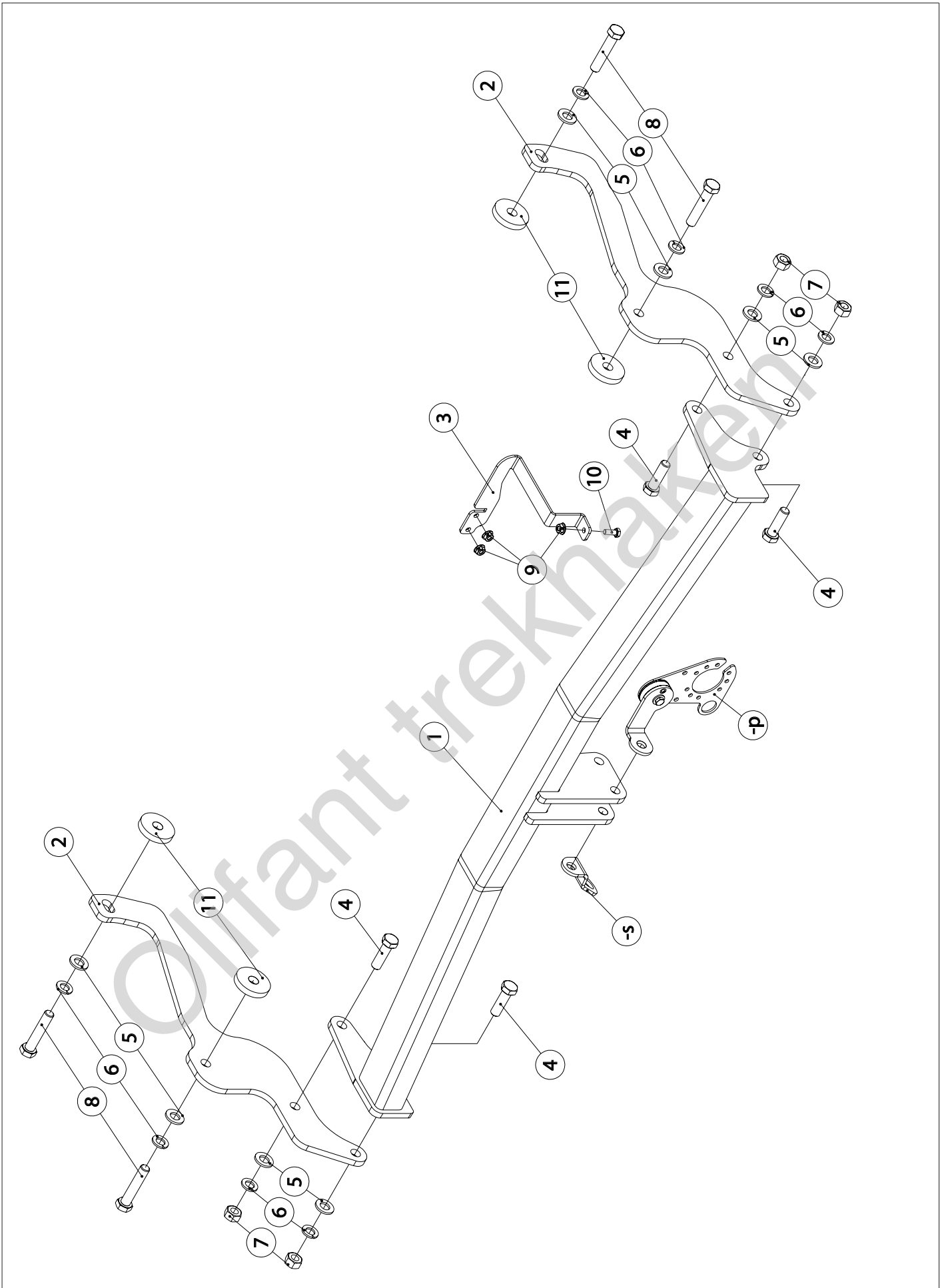


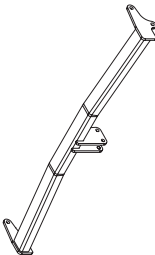

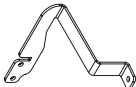









helpdesk@gdwtowbars.com

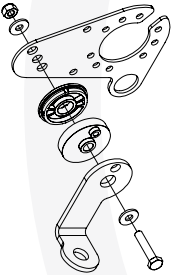
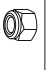



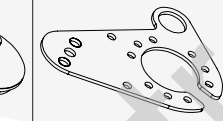


+32 56 62 77 79

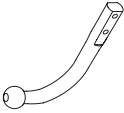
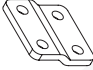

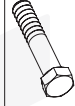

Monday	08:00 - 12:00	12:30 - 16:30
Tuesday	08:00 - 12:00	12:30 - 16:30
Wednesday	08:00 - 12:00	12:30 - 16:30
Thursday	08:00 - 12:00	12:30 - 16:30
Friday	08:00 - 12:00	12:30 - 15:30






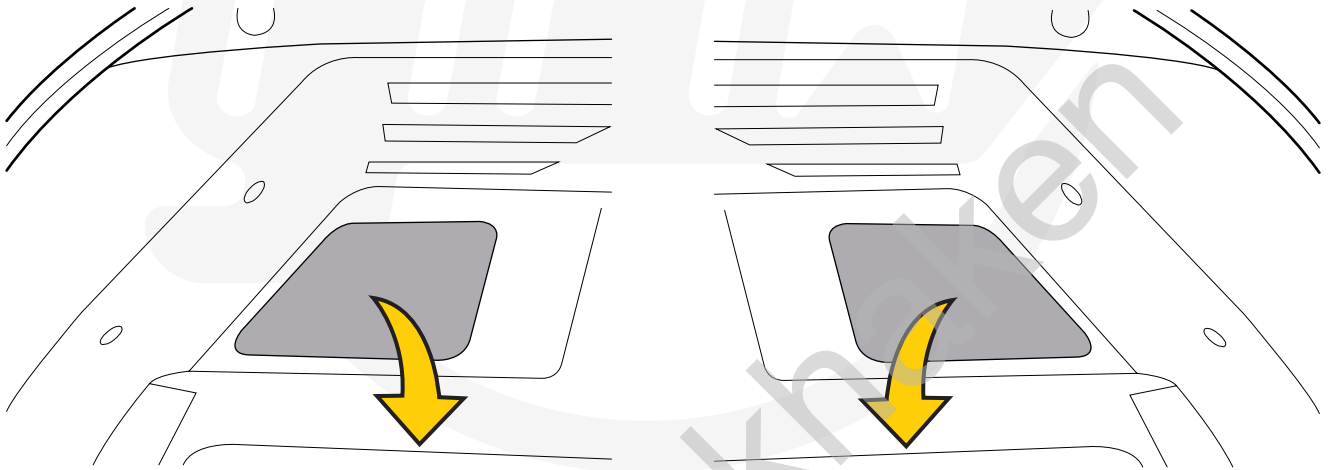
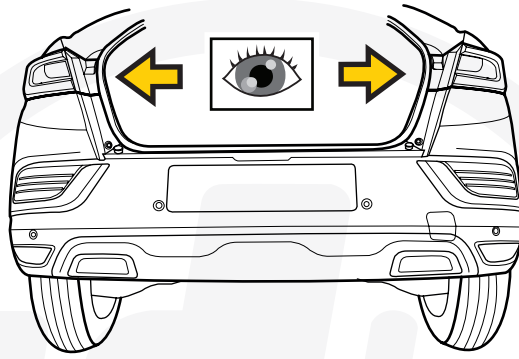
1		X1	GDW REF. 2603
2		X2	GDW REF. 2
3		X1	GDW REF. 3
4		X4	DIN933-M12X40
5		X8	DIN125-A12-140HV-ELVZ
6		X8	DIN128A-M12
7		X4	DIN934-M12
8		X4	DIN931-M12X50
9		X3	DIN16923-M6
10		X1	DIN933-M6X20
11		X4	GDW REF. 11
-5		X1	GDW REF. 900.053

-P		X1	GDW REF. P46
↑		X1	DIN985-M6
↑		X2	6,2 X 15,4 X 1,6 (NYLON)
↑		X1	GDW REF. 718.16.002
↑		X1	GDW REF. 718.16.003
↑		X1	GDW REF. 908.094
↑		X1	DIN933-M6 X 30
↑		X1	GDW REF. 908.101

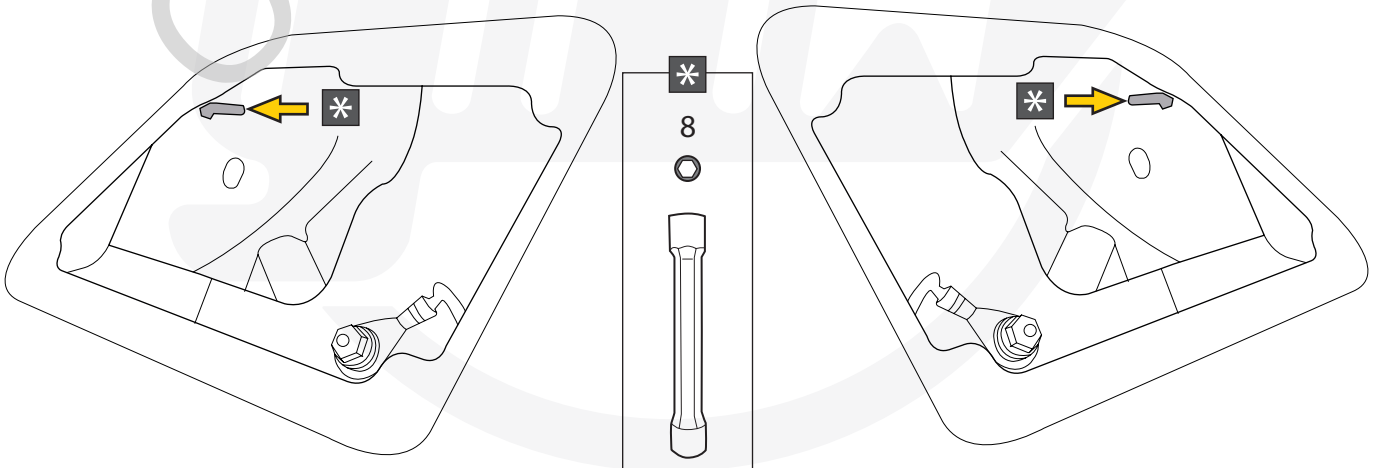
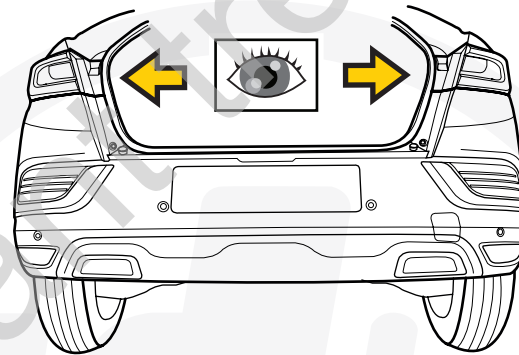
Geleverd met - Livré avec - Delivered with Geflefert mit - Elementos adjuntos - Leverages med		X1	944.H006
		X2	GDW REF. 900.008
		X2	GDW REF. 900.011 Ø 21.3 X 11.7
		X4	DIN931-M12 X 70
		X4	DIN985-M12

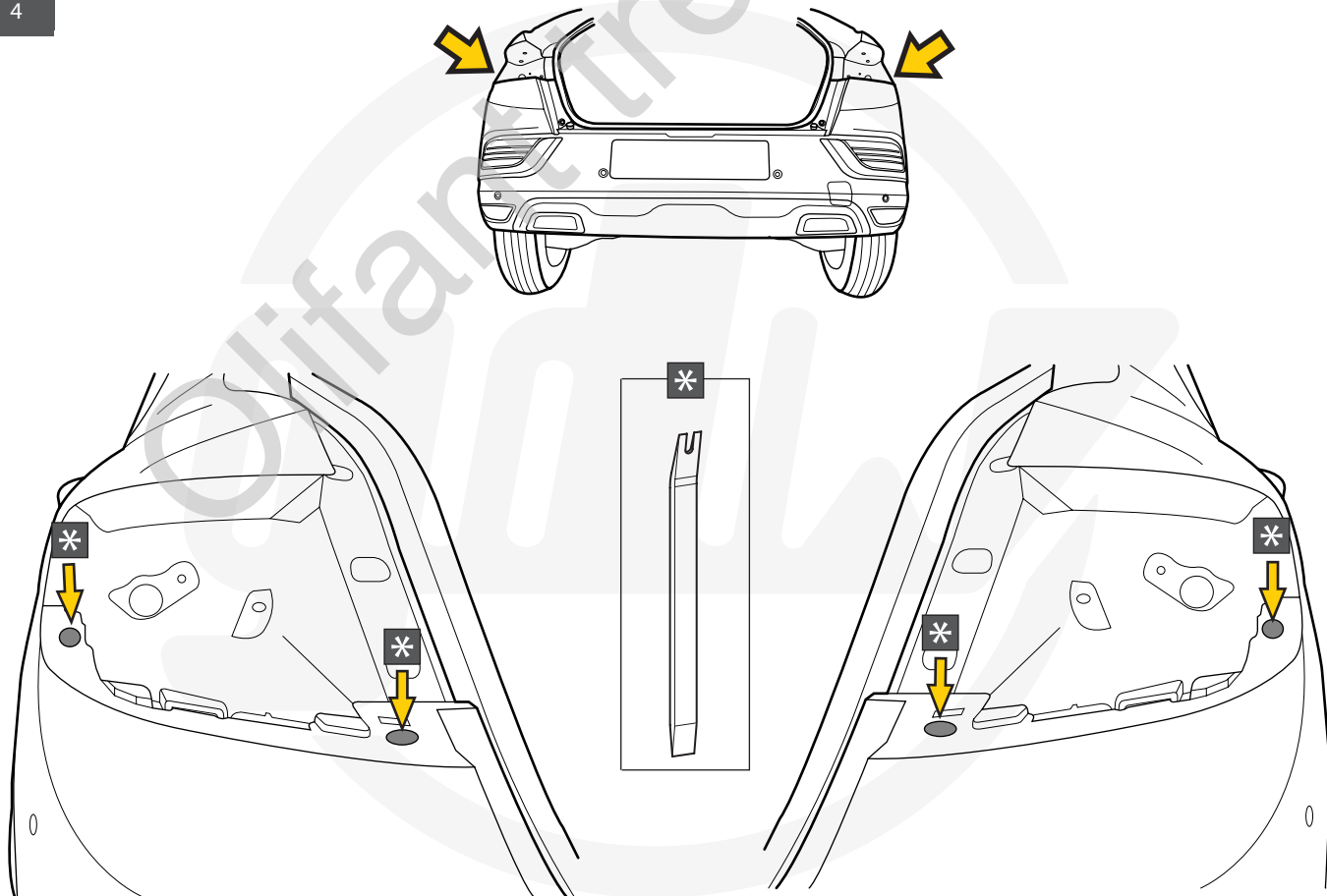
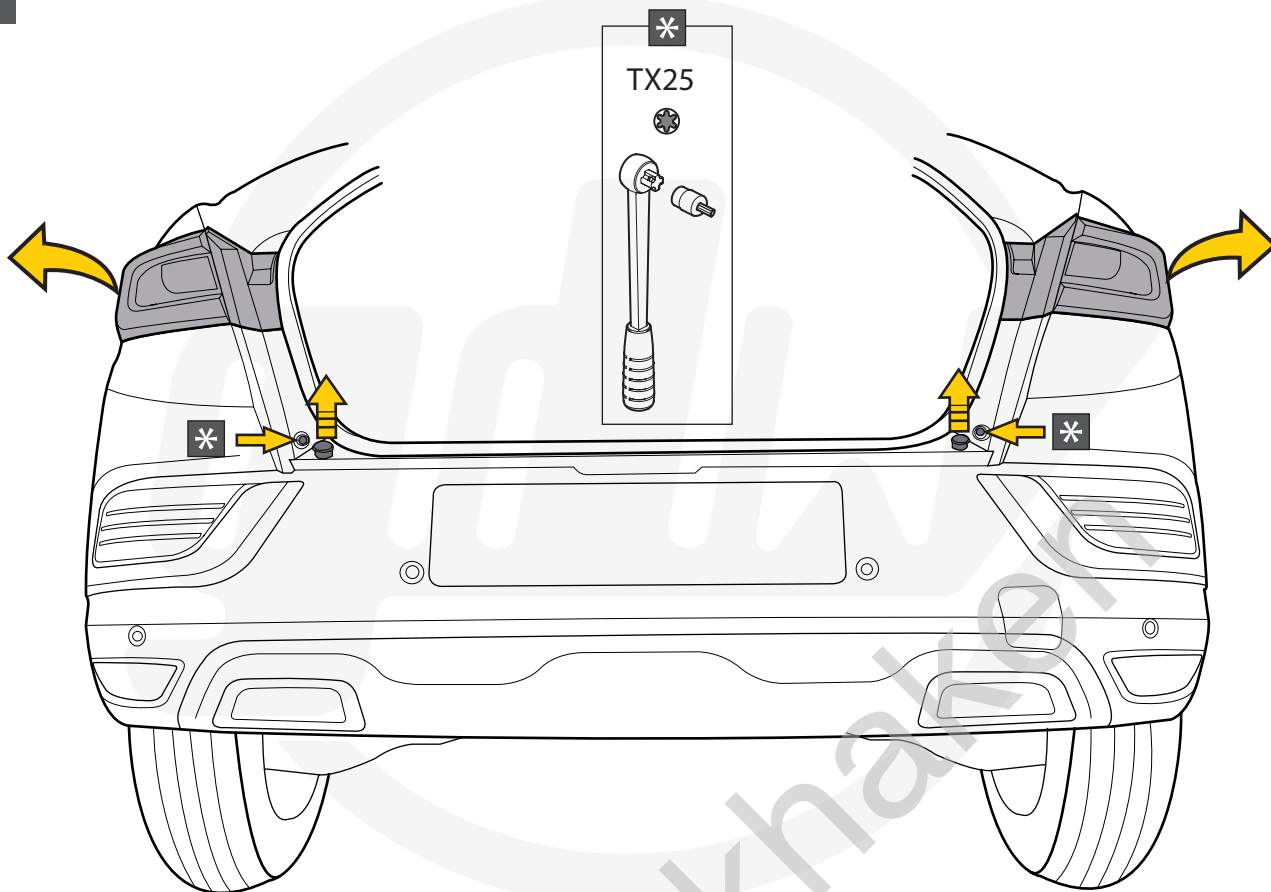
OPTION T36		
	X1	KITT36-2603

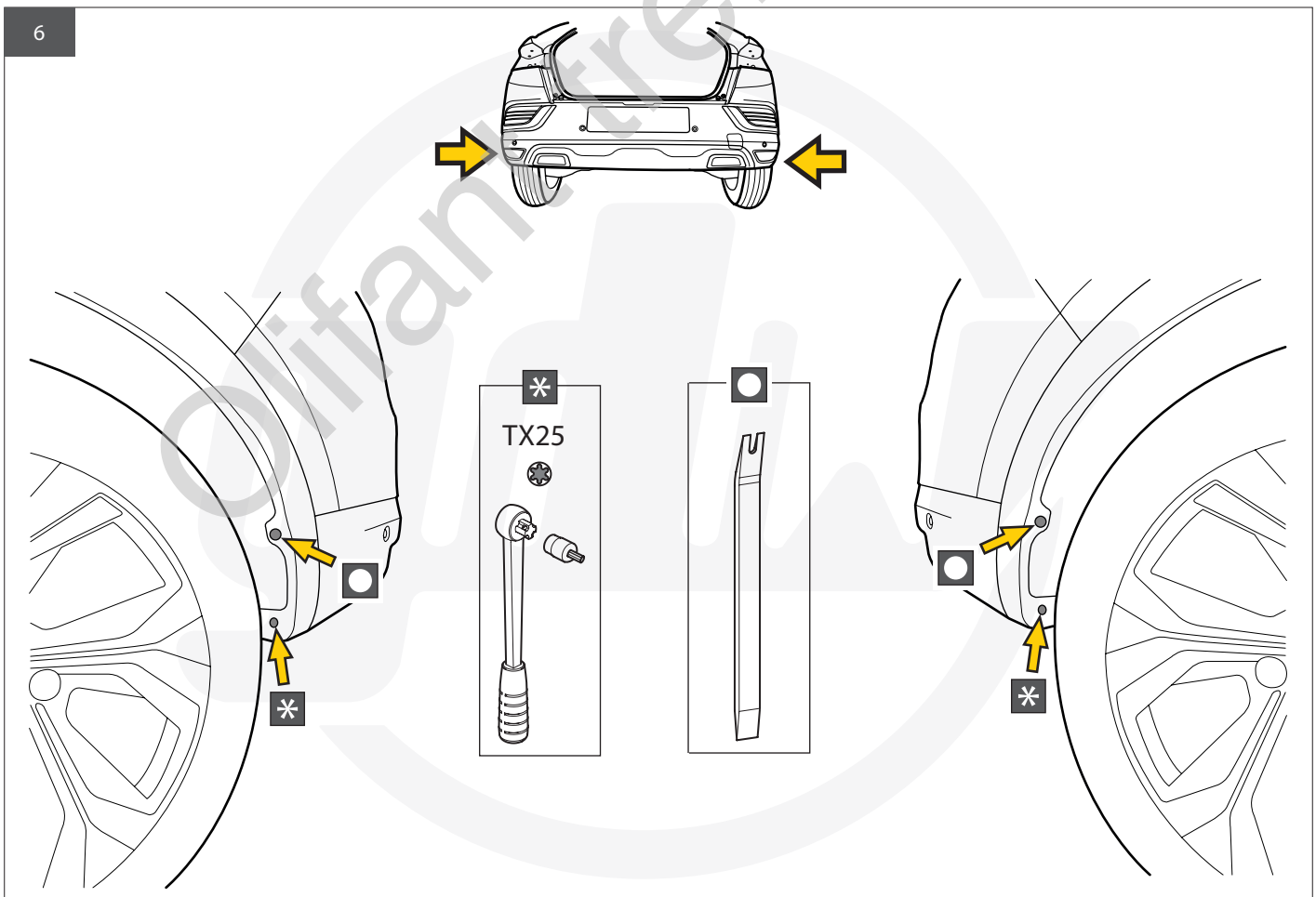
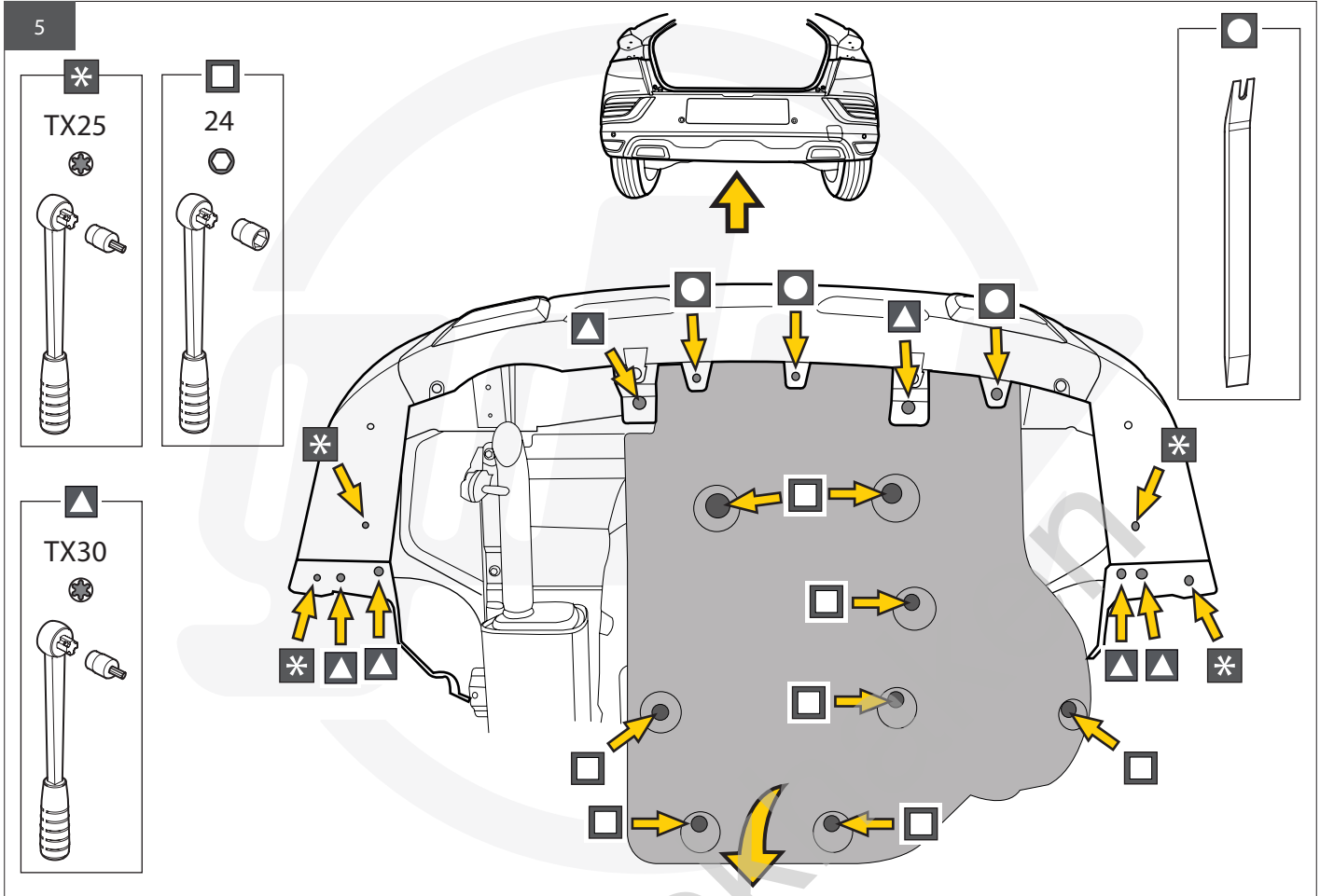
1

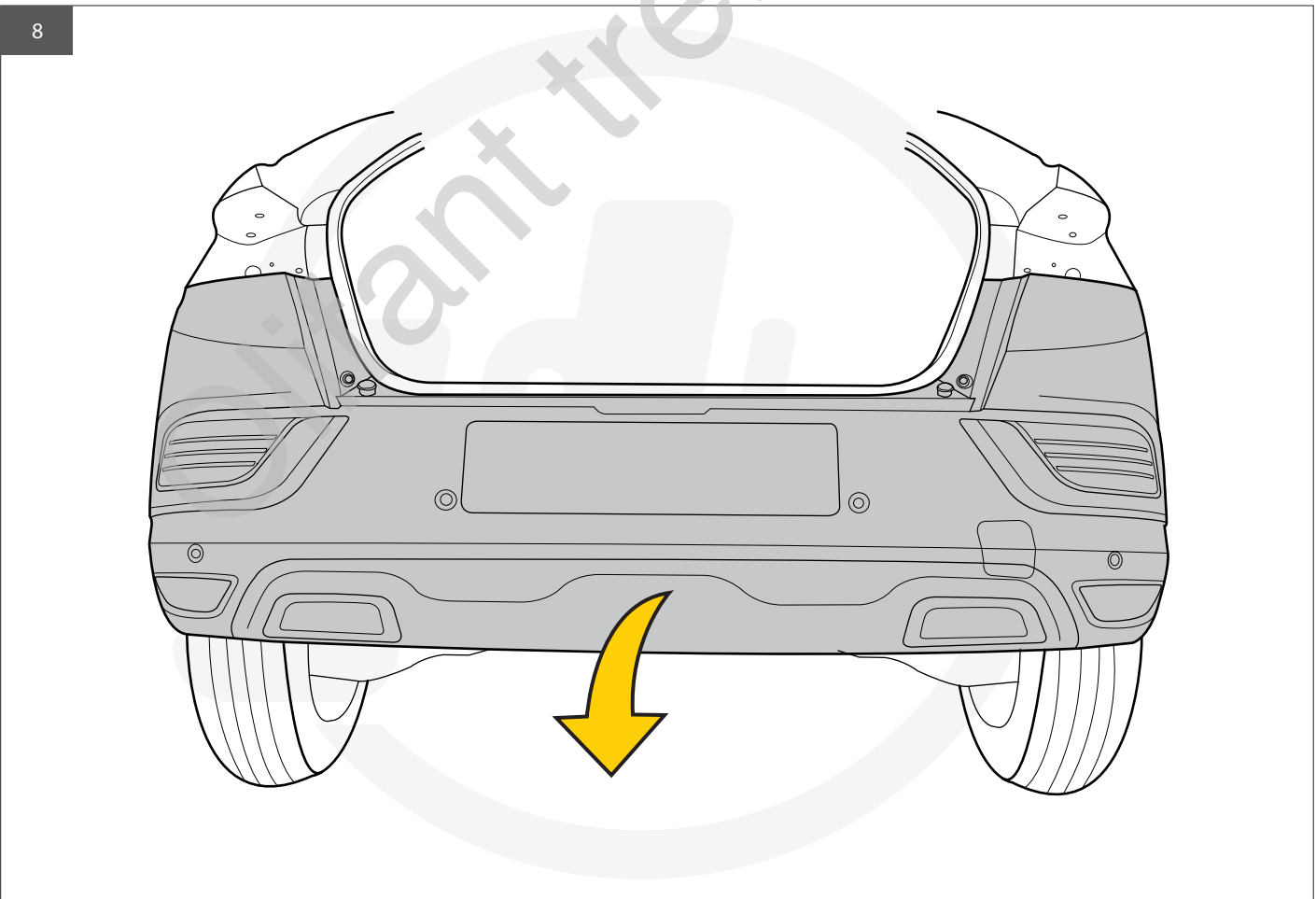
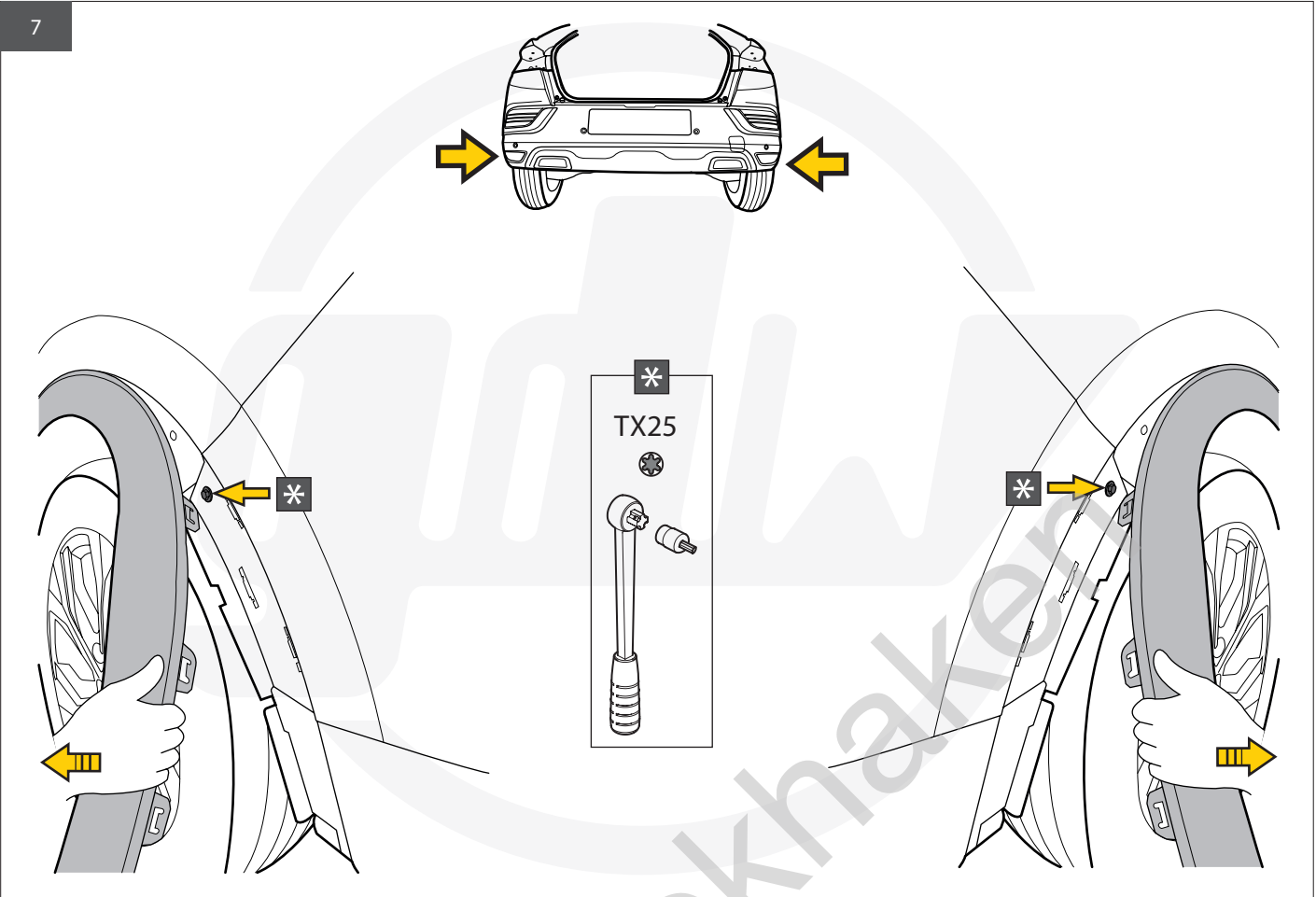


2

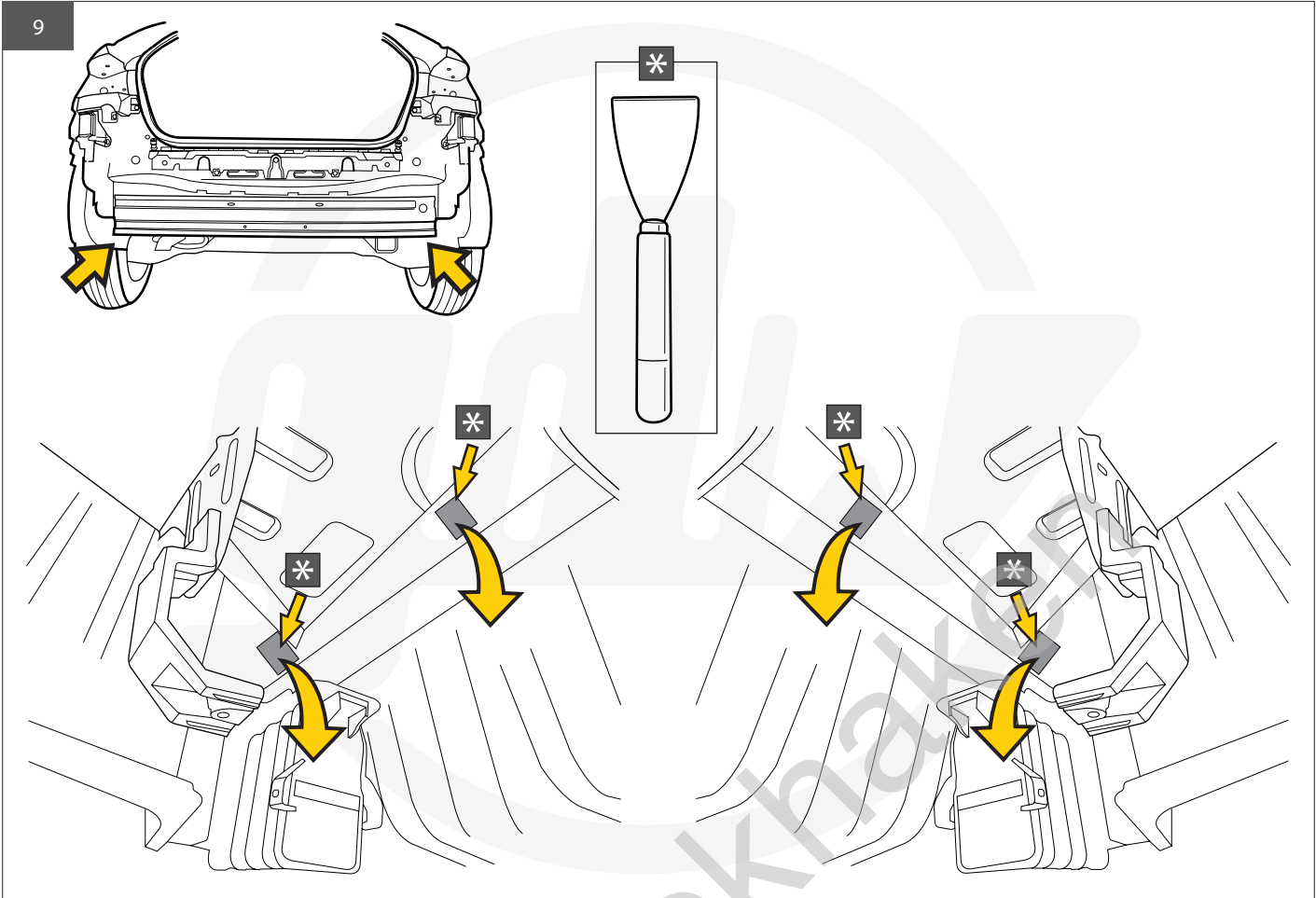




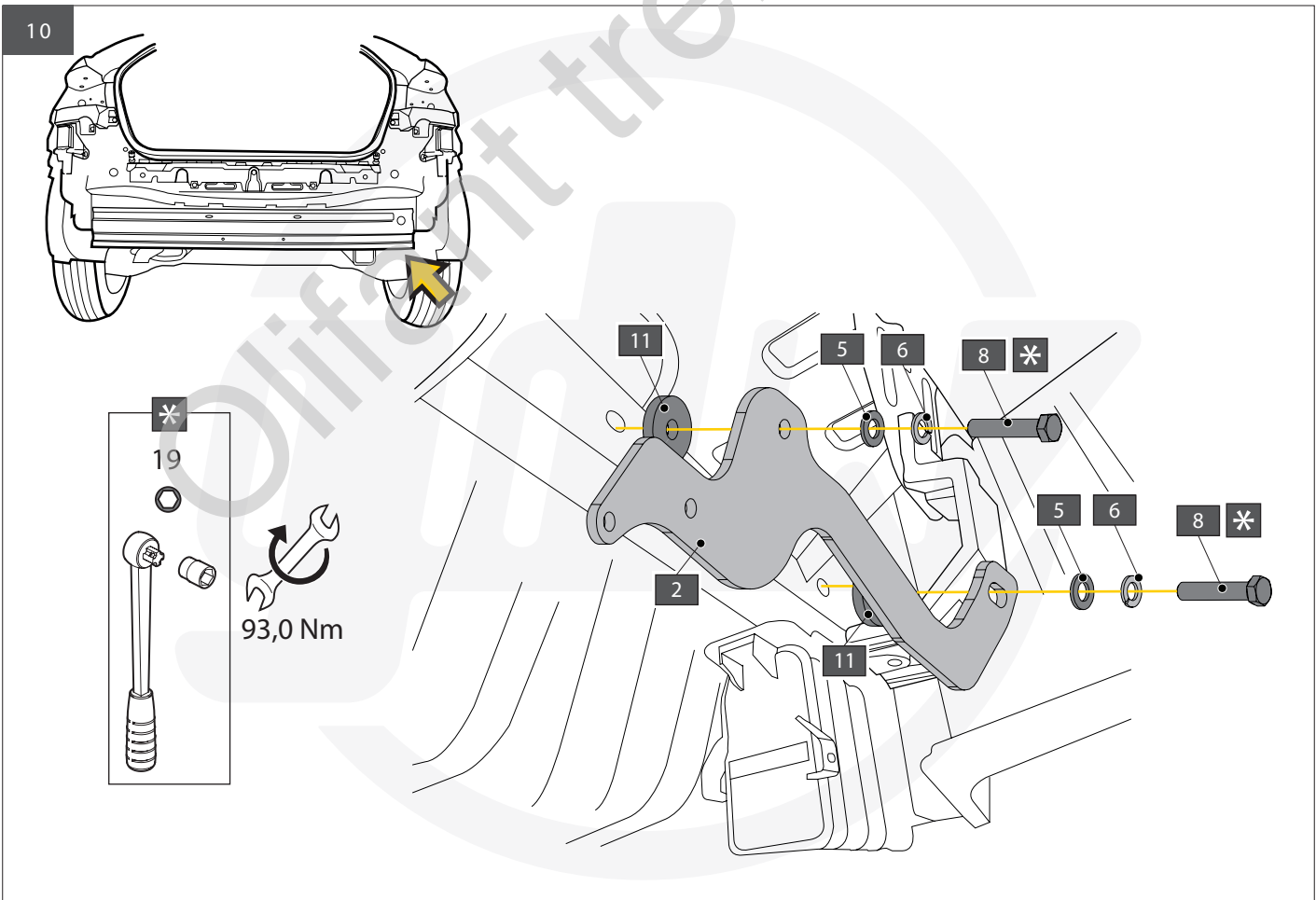




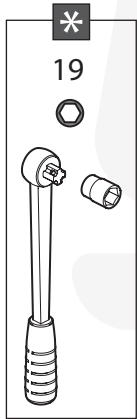
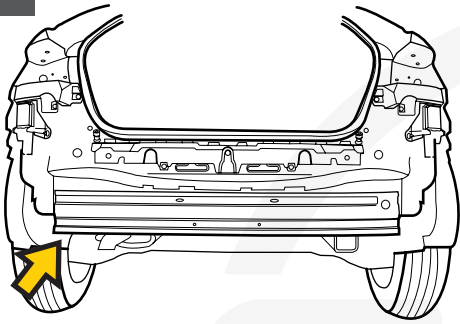
9



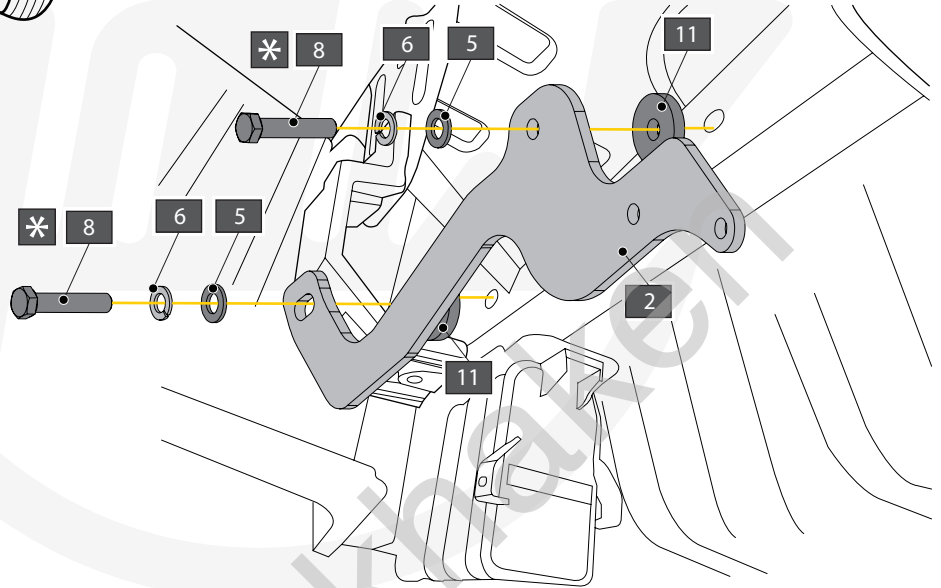
10



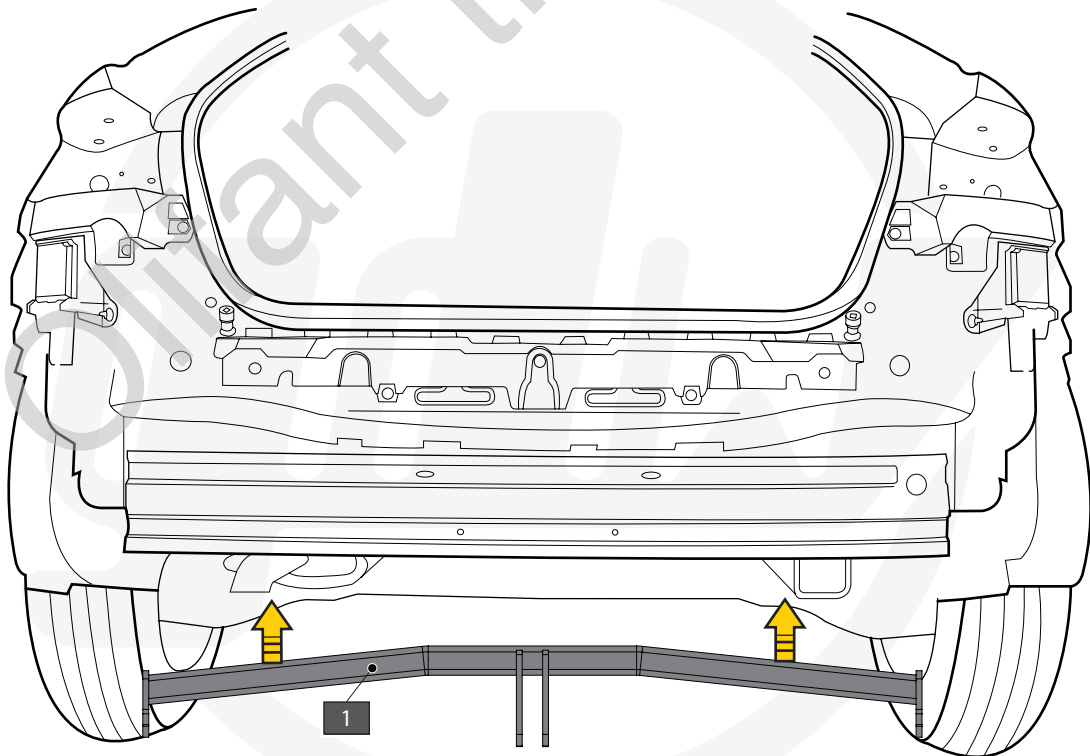
11



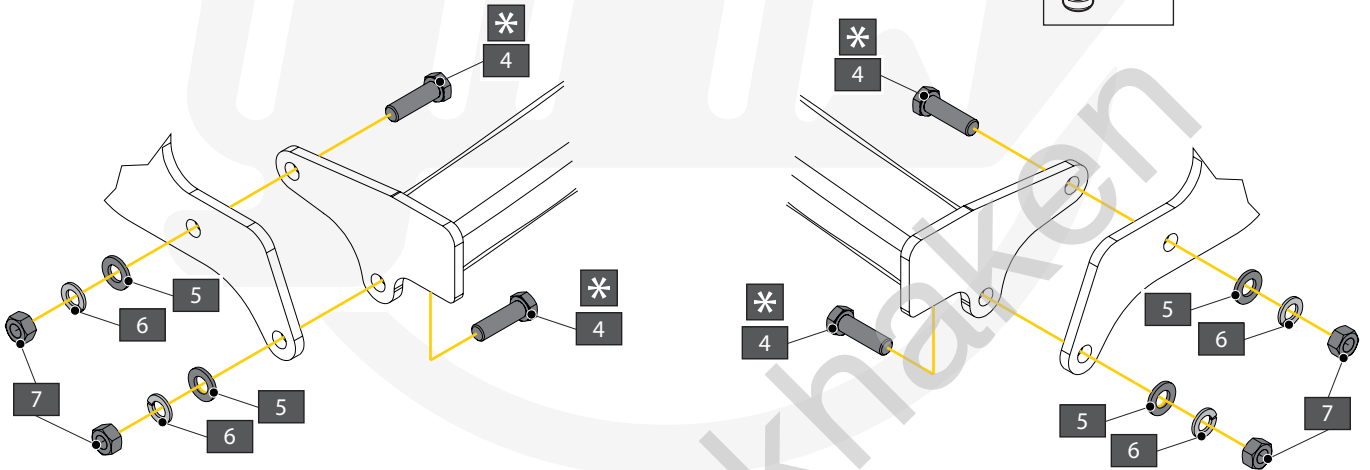
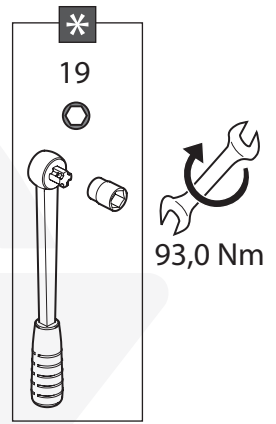
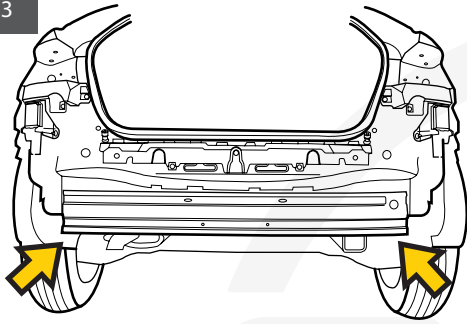
93,0 Nm



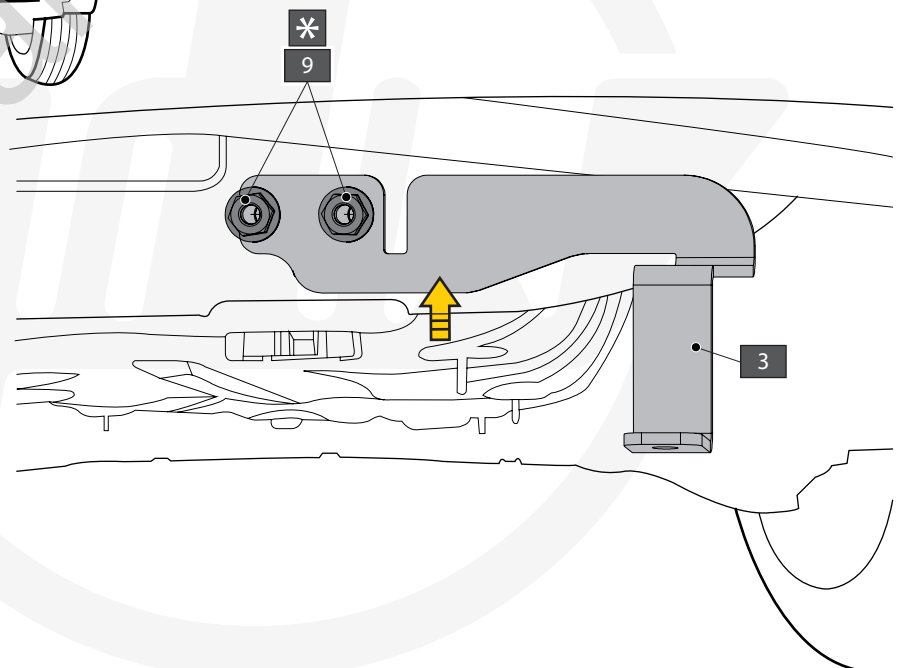
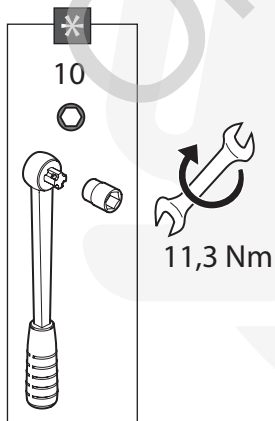
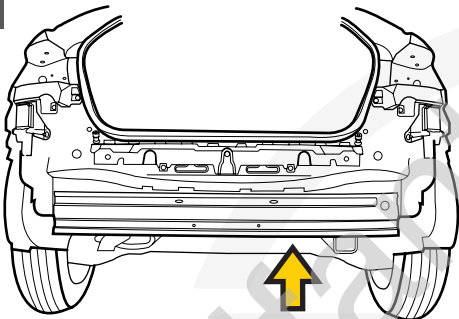
12



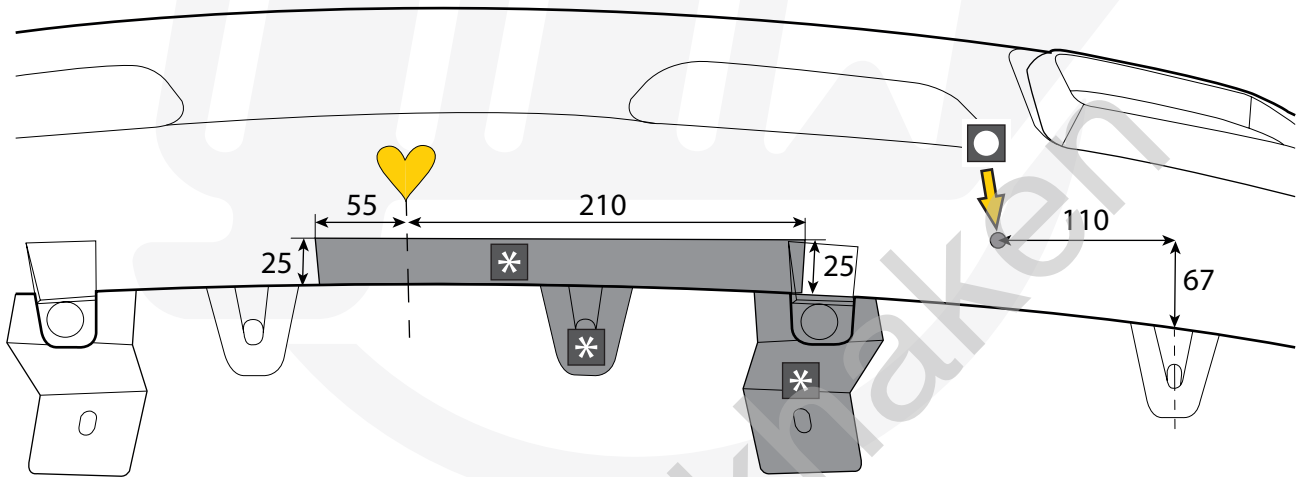
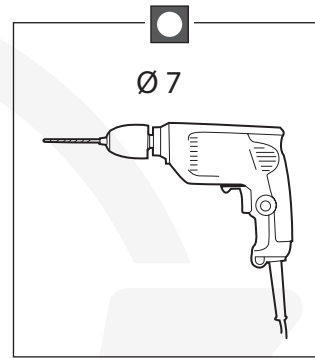
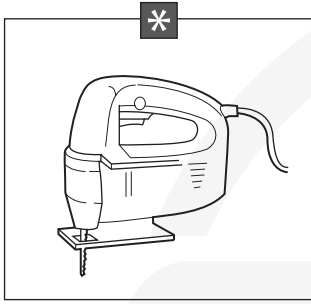
13



14

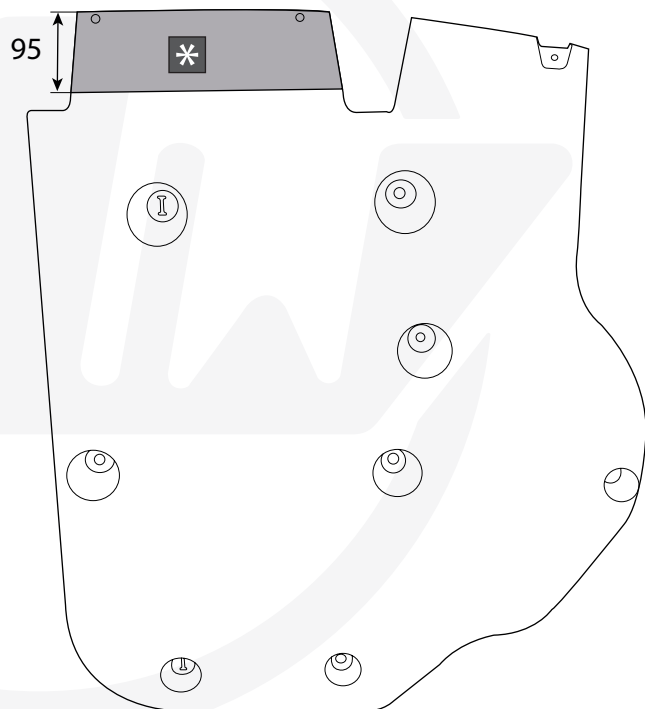
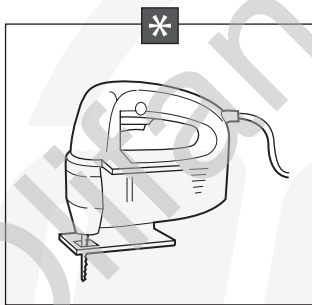


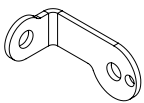



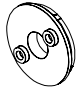
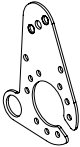

15

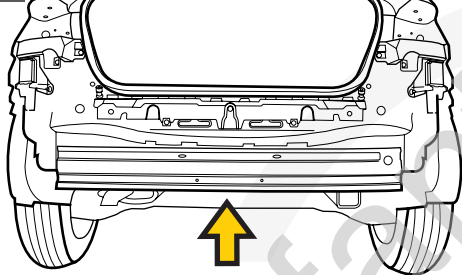


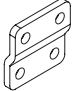

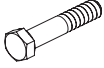


16

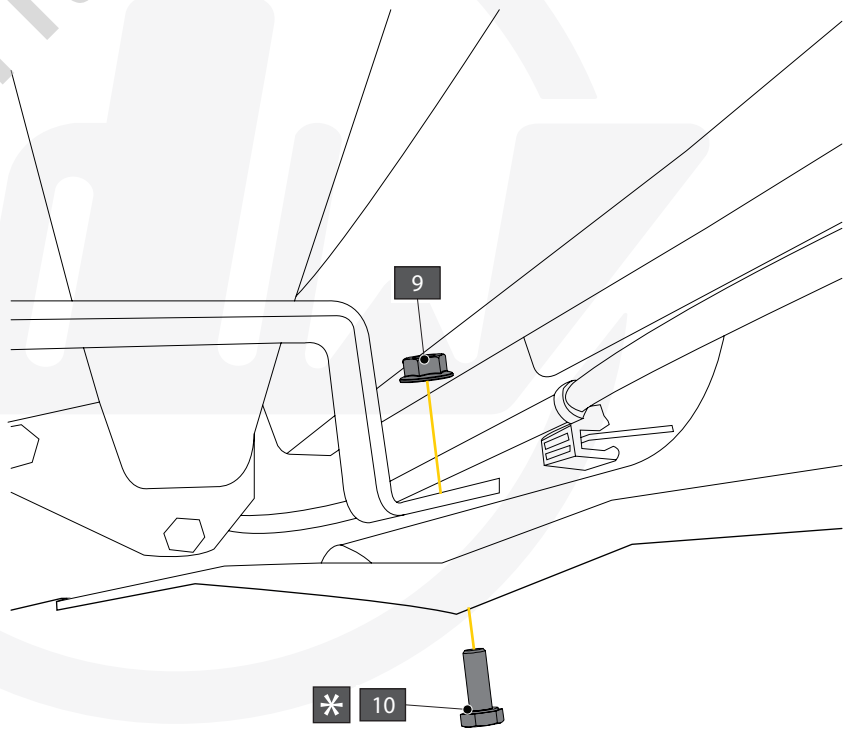
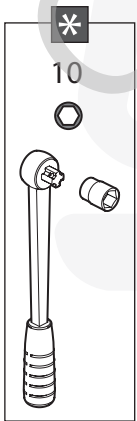
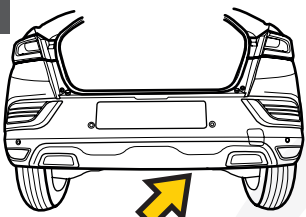
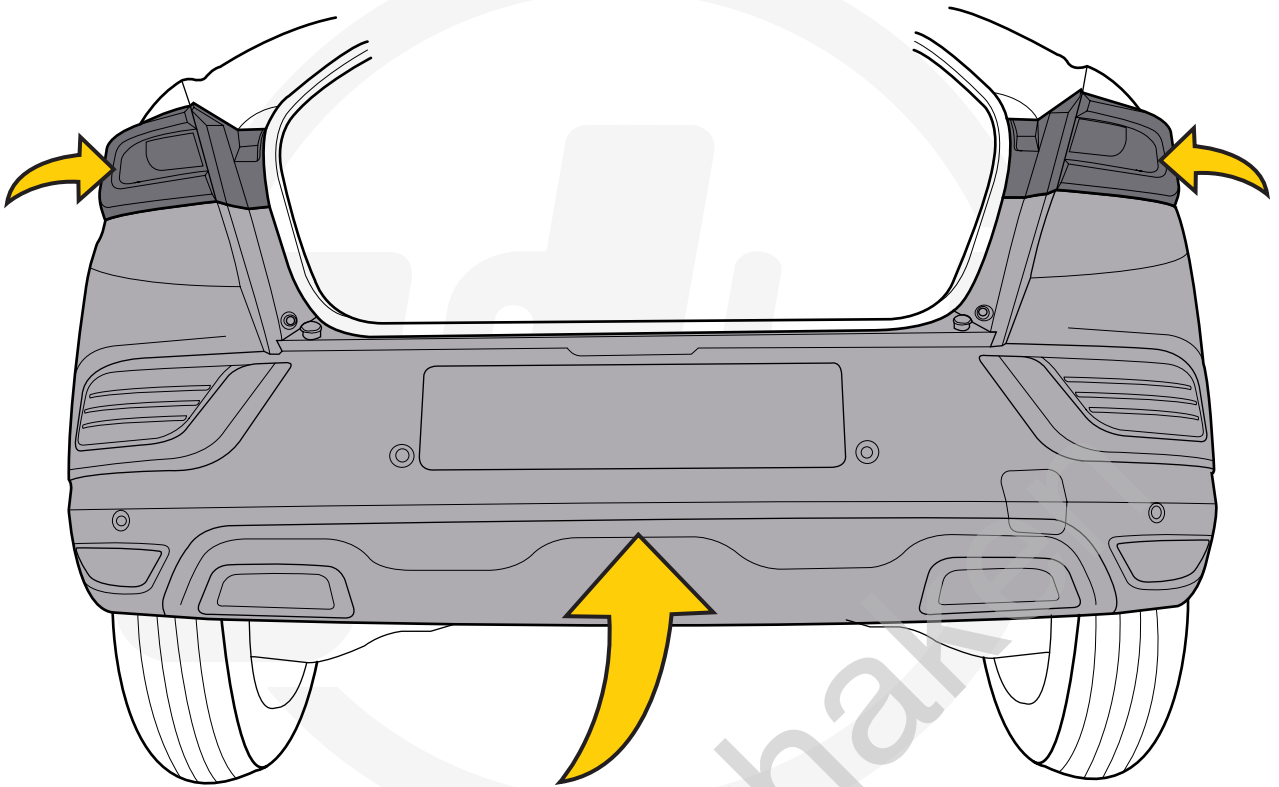
NOT FOR HYBRID

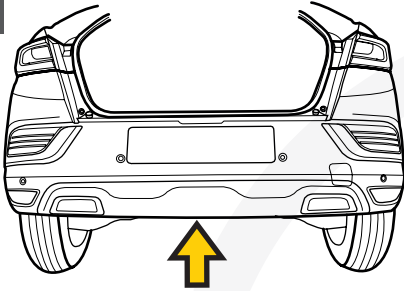


A		X1	GDW REF. 908.101
B		X1	DIN985-M6
C		X2	Ø15,4 X 6,2 X 1,6 (NYLON)
D		X1	GDW REF. 718.16.002
E		X1	GDW REF. 718.16.003
F		X1	GDW REF. 908.094
G		X1	DIN933-M6 X 30

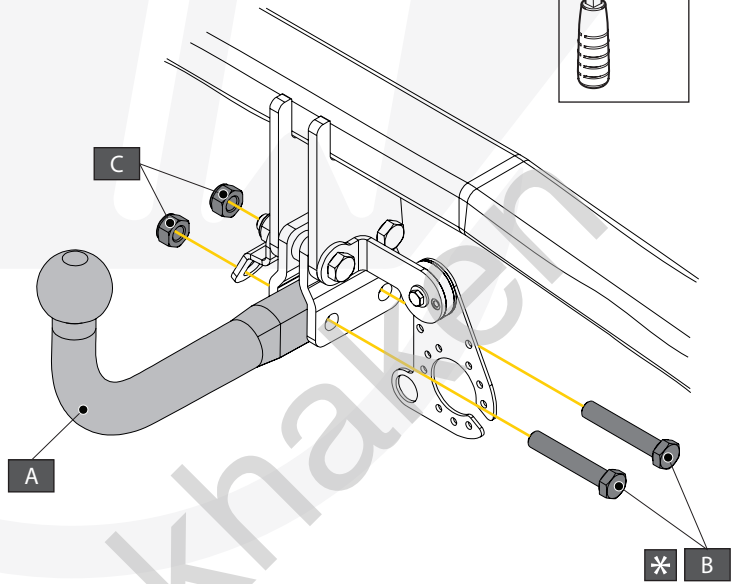
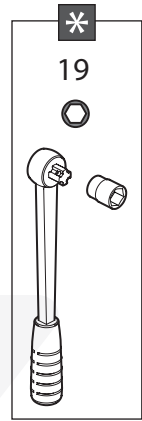


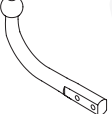
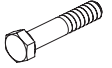

A		X2	GDW REF. 900.008
B		X2	GDW REF. 900.011 Ø 21.3 X 11.7
C		X2	DIN931-M12 X 70
D		X2	DIN985-M12
-S		X1	GDW REF. 900.053



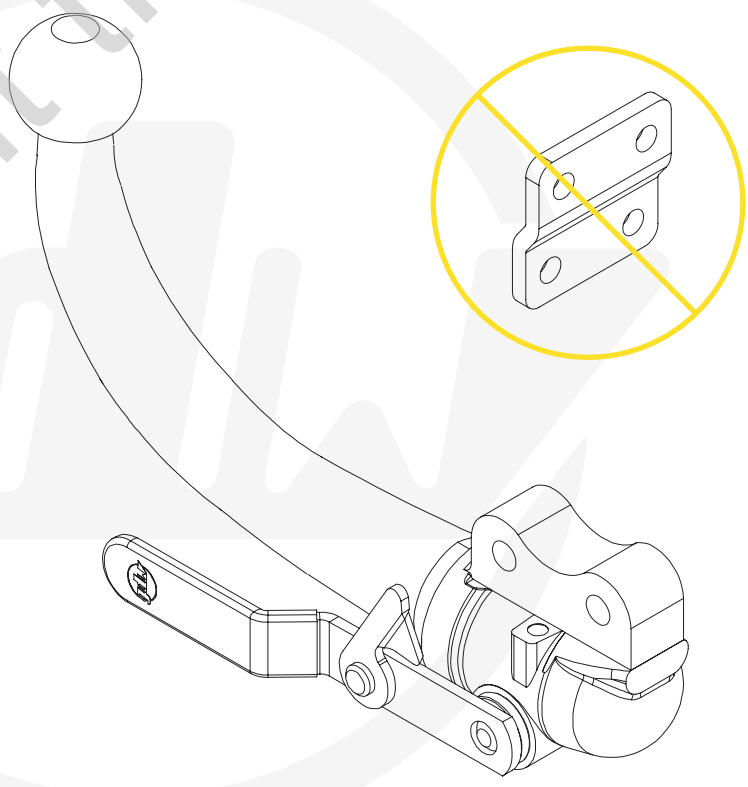


93,0 Nm




- A  X1 944.H006
- B  X2 DIN931-M12 X 70
- C  X2 DIN985-M12

AFN Opties - Options - Options - Optionen - Opciones - Muligheder



OPTION T36

	X1	KITT36-2603
---	----	-------------