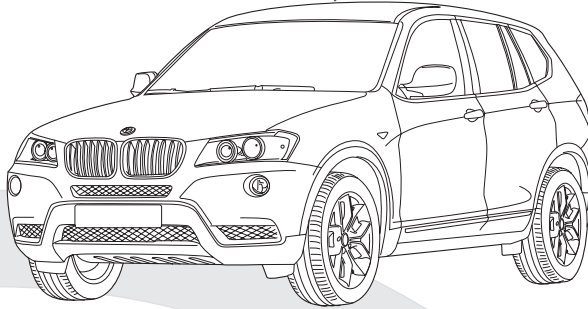




BMW X3 (F25)

09/'10-10/'17

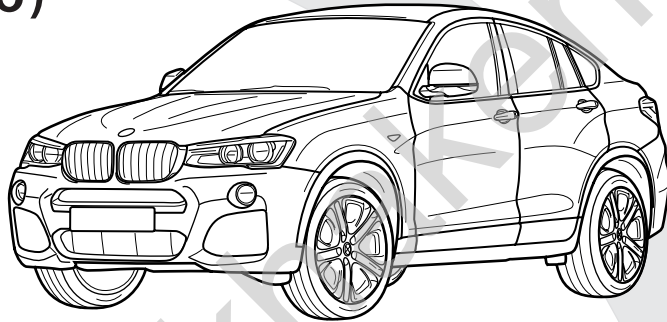
- ✓ STANDARD
- ✓ HYBRID
- ✓ M SPORT PACKAGE



BMW X4 (F26)

07/'14-03/'18

- ✓ STANDARD
- ✓ M SPORT PACKAGE



BMW X3 +

10/'17-

- ✓ STANDARD
- ✓ xLINE
- ✓ HANDSFREE TAILGATE
- ✓ HYBRID
- ✓ M SPORT PACKAGE

✗ M SERIES

BMW X3 Facelift (G01, F97)

08/'21-

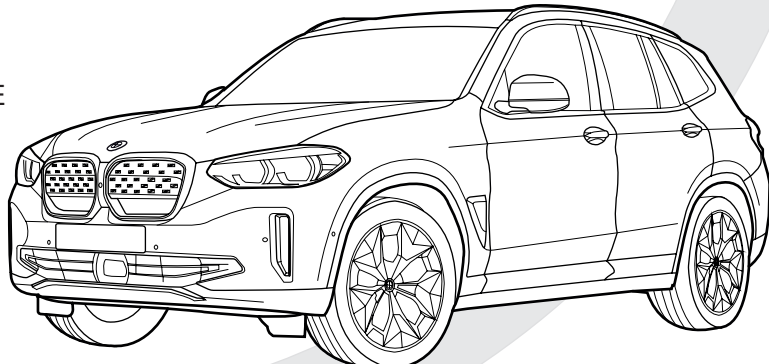
- ✓ STANDARD
- ✓ xLINE
- ✓ HANDSFREE TAILGATE
- ✓ HYBRID
- ✓ M SPORT PACKAGE

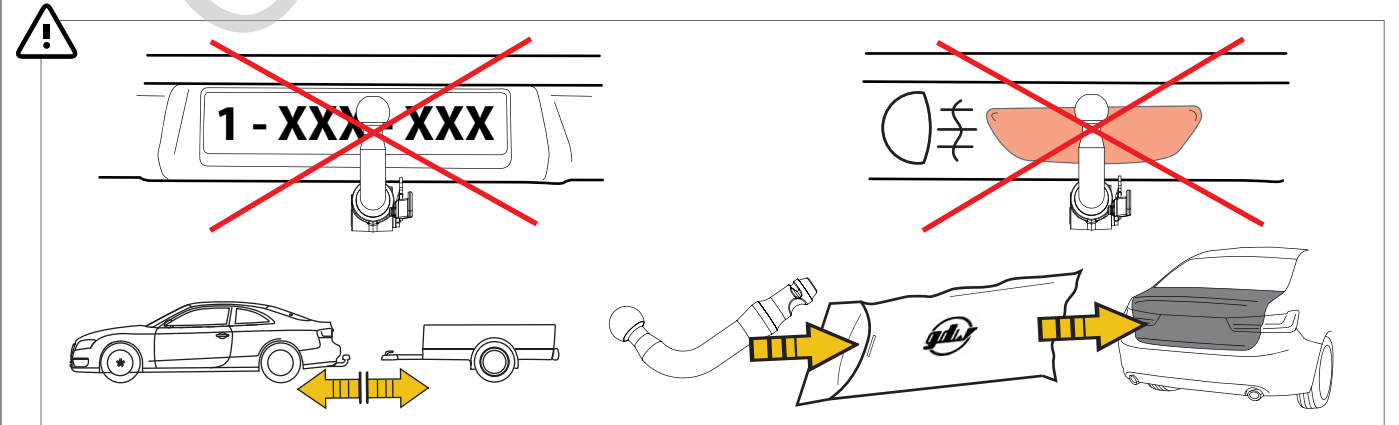
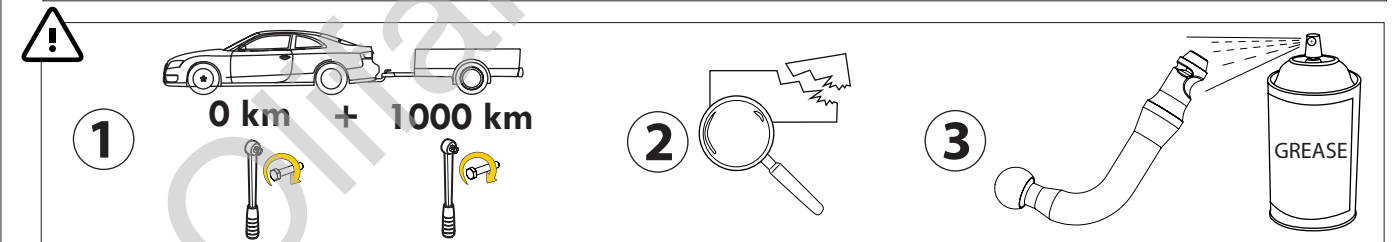
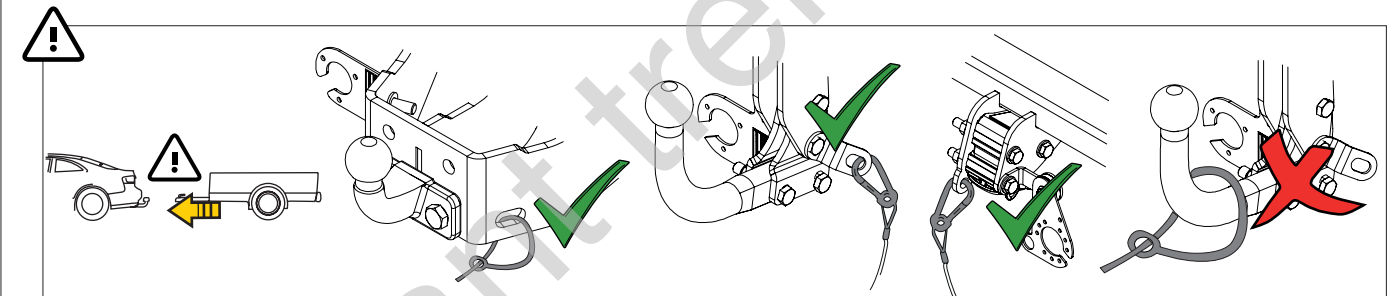
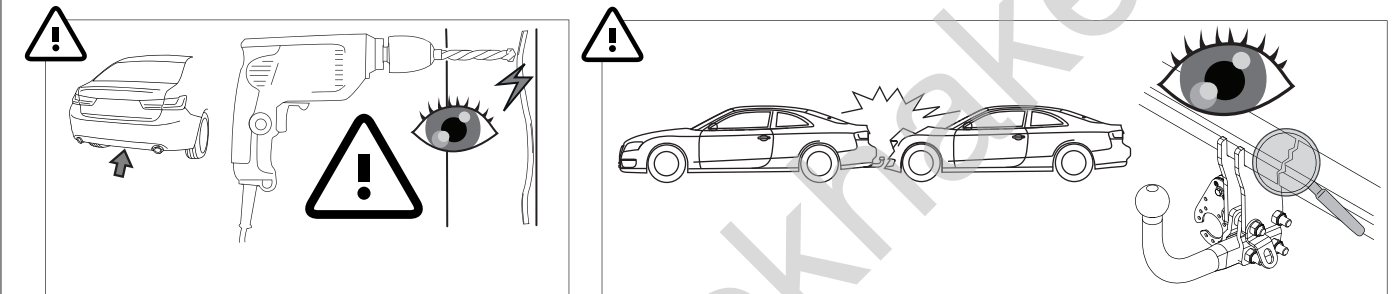
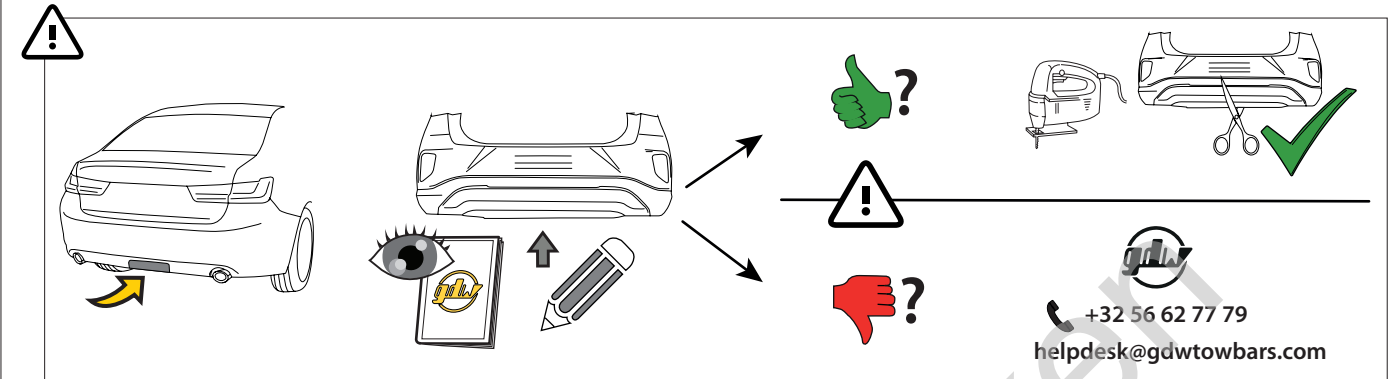
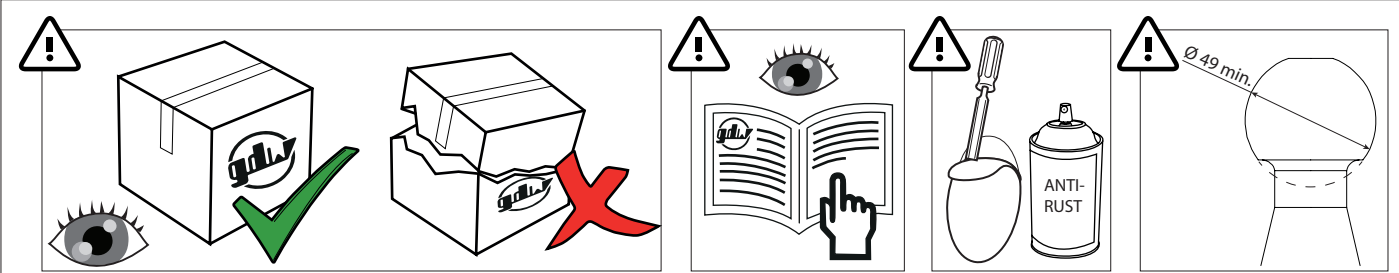



BMW iX3 (G08)

09/'20-

- ✓ HANDSFREE TAILGATE







MADE BY  **D 12,60** **F** **E6**

BELGIUM **S 115** **55R-02 1680**

REF N° **2592T60** **SERIAL N° XXXX**

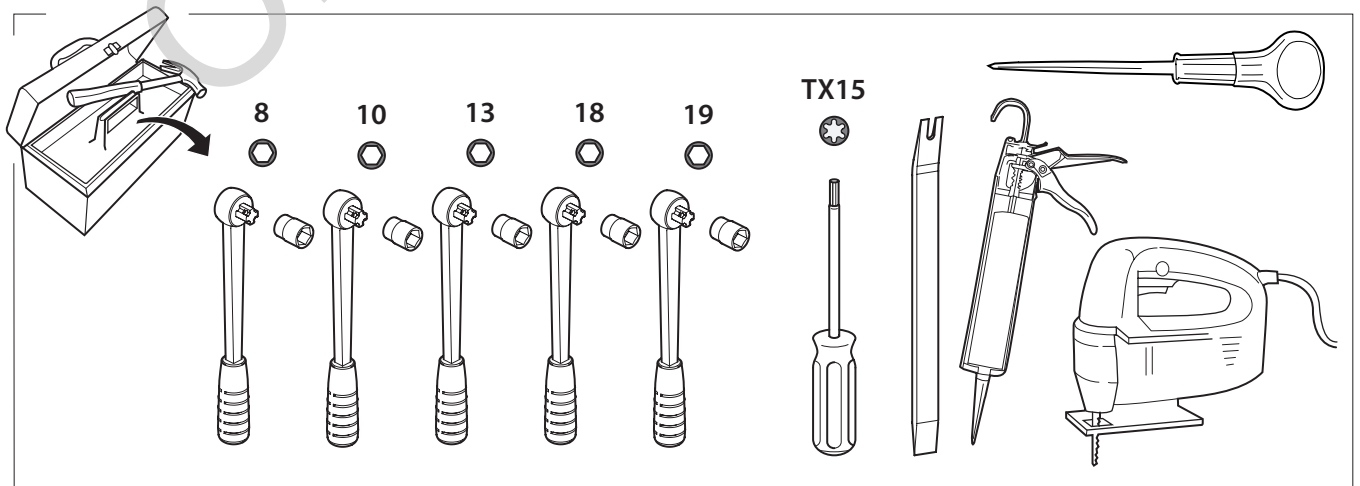
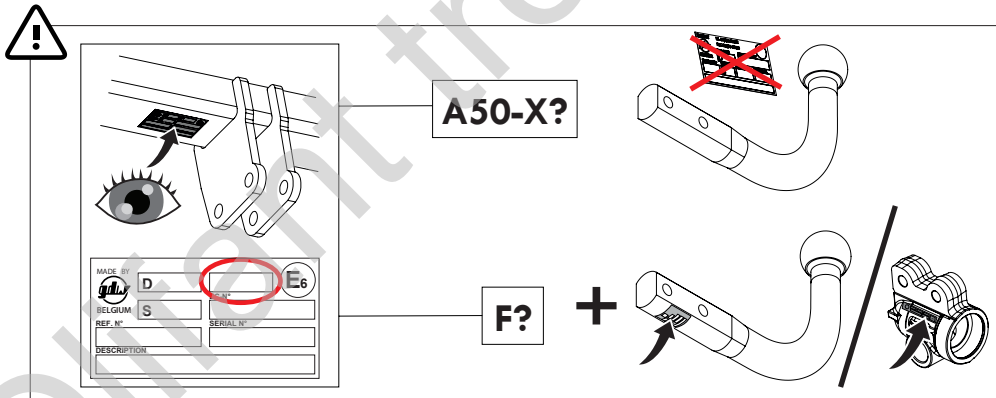
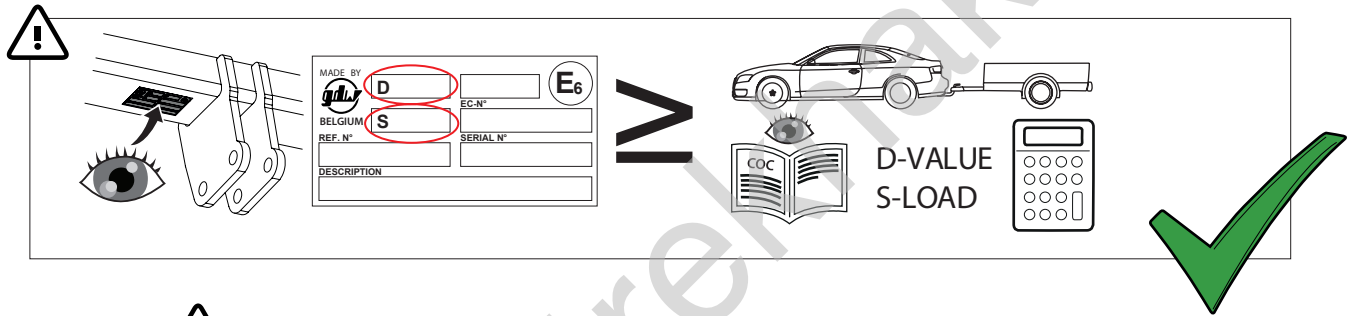
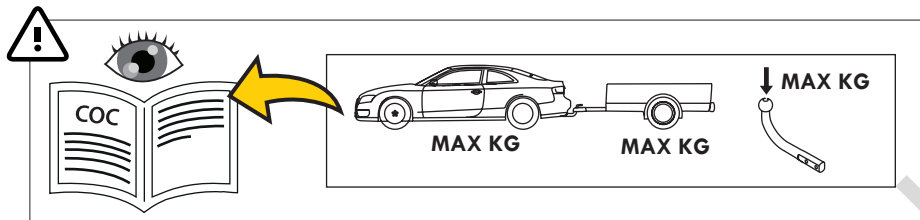
DESCRIPTION
BMW X3 + X4 + iX3

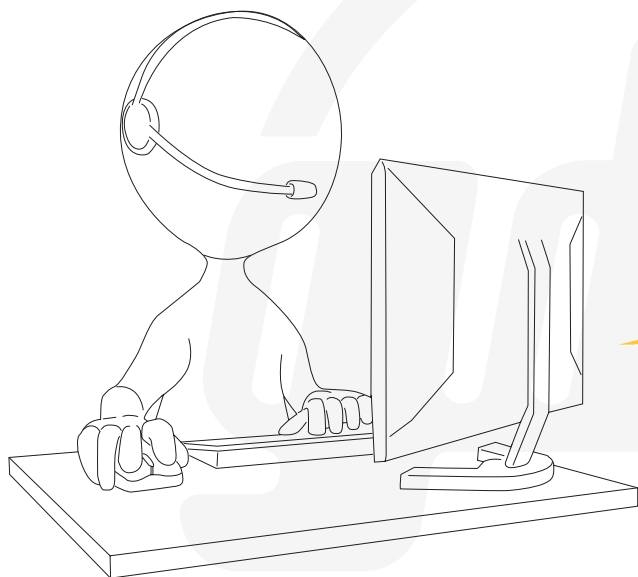
 

$$D = \frac{\text{max kg (car)} \times \text{max kg (trailer)}}{\text{max kg (car)} + \text{max kg (trailer)}} \times 0.00981 \leq 12,60 \text{ kN}$$

$$S = \begin{matrix} \leq 115 \text{ kg} & \leq 2400 \text{ kg} \end{matrix}$$

See the Certificate Of Conformity (COC) of your vehicle or contact your dealer to verify the max. trailer weight of your car!

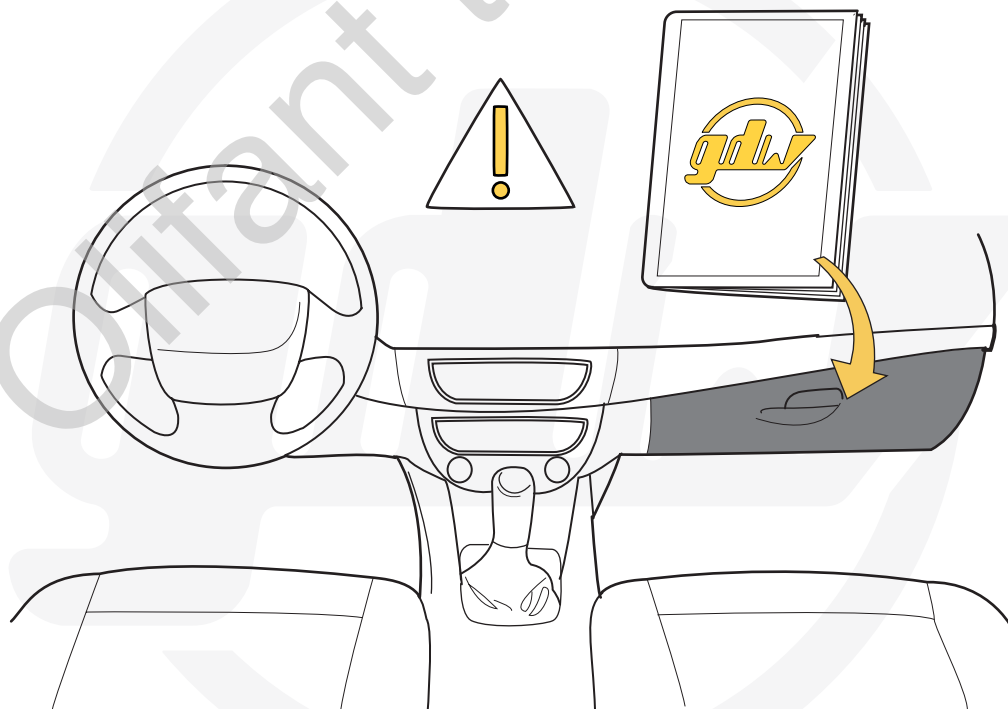




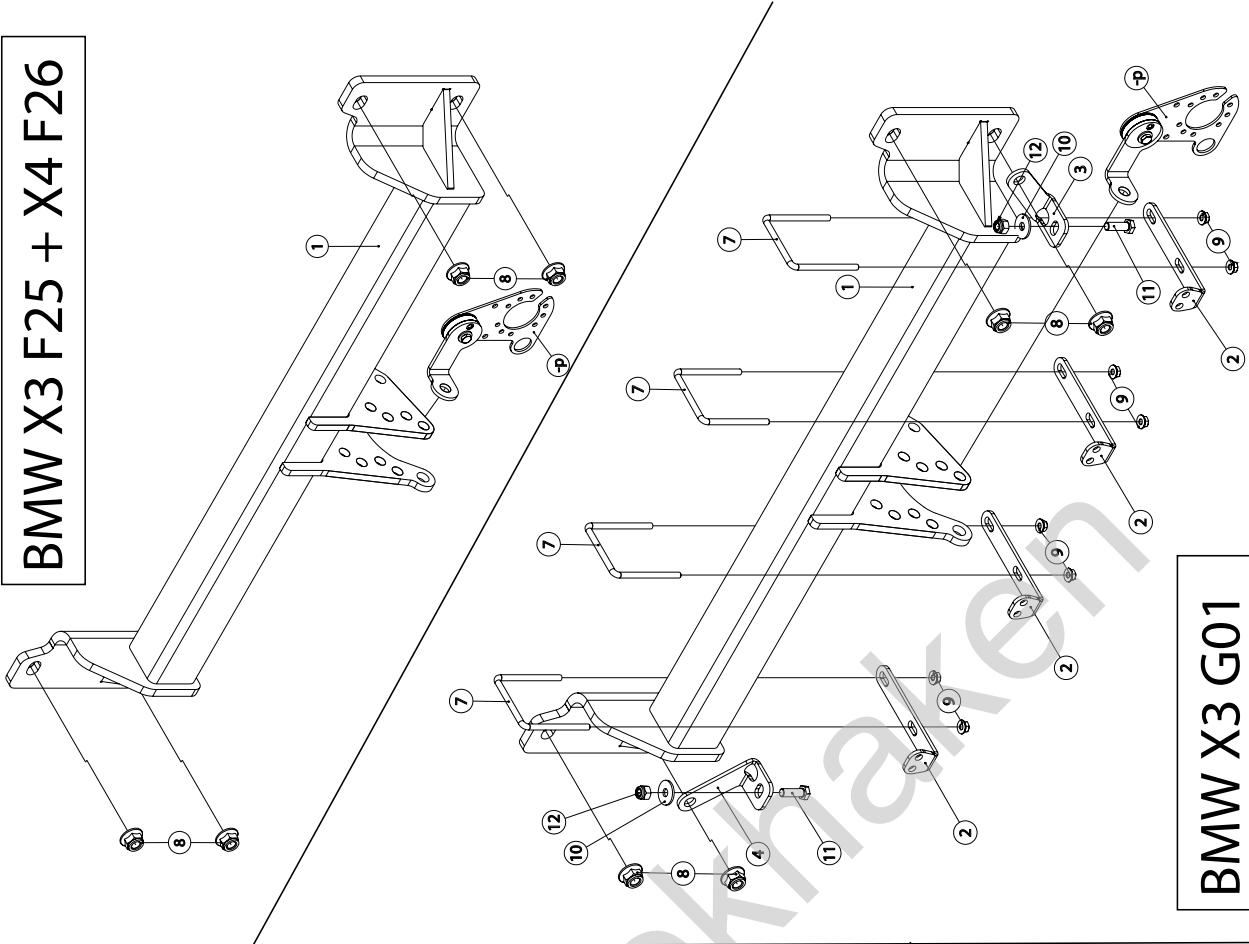
helpdesk@gdwtowbars.com

+32 56 62 77 79

Monday	08:00 - 12:00	12:30 - 16:30
Tuesday	08:00 - 12:00	12:30 - 16:30
Wednesday	08:00 - 12:00	12:30 - 16:30
Thursday	08:00 - 12:00	12:30 - 16:30
Friday	08:00 - 12:00	12:30 - 15:30

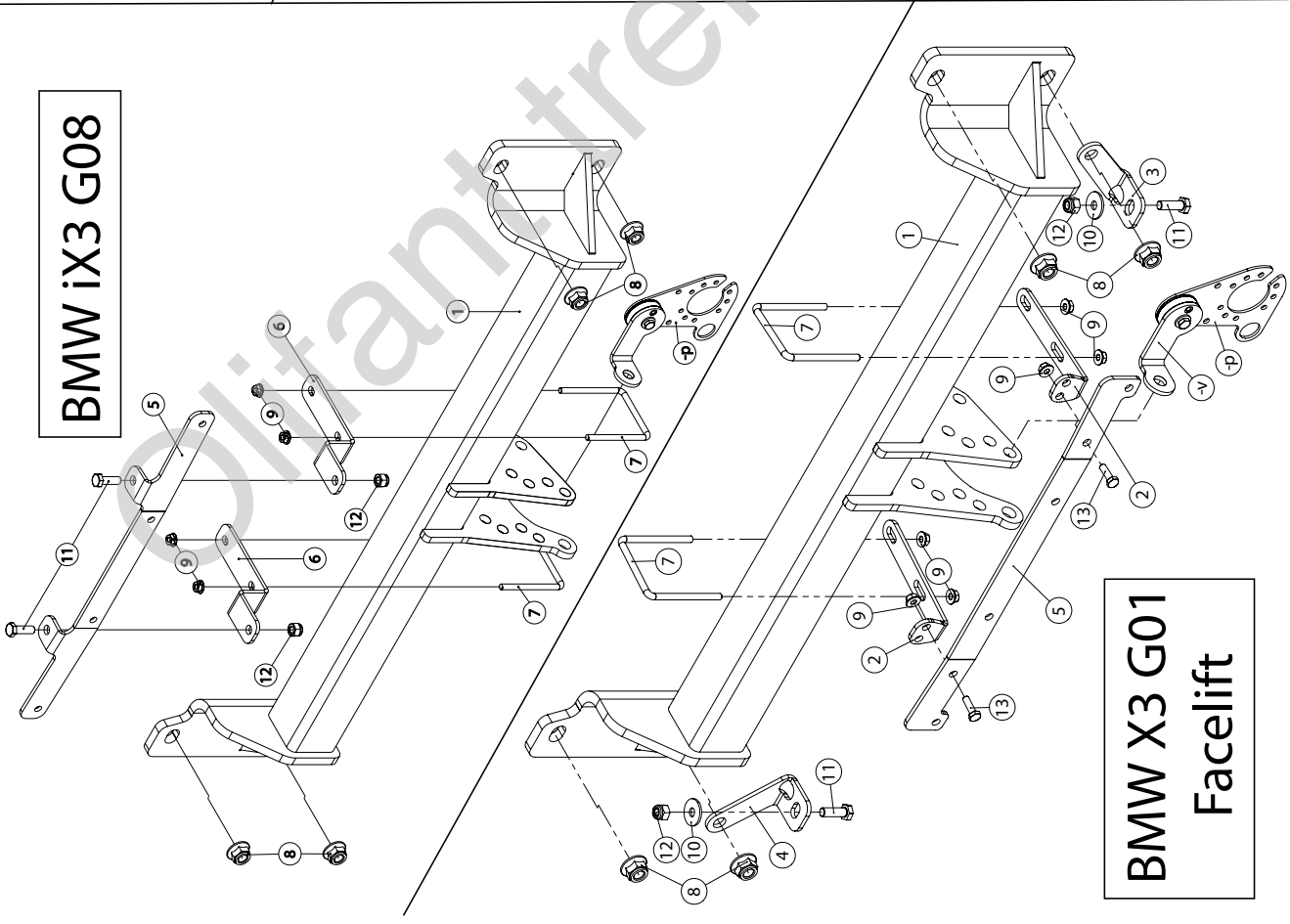


BMW X3 F25 + X4 F26

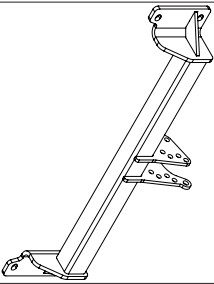


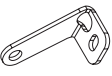
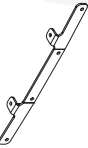
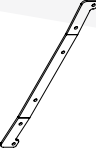
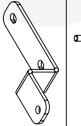
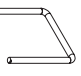
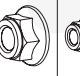
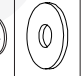
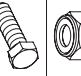
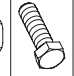
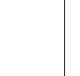



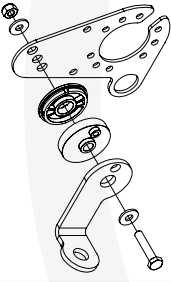

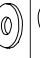


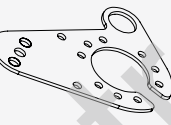

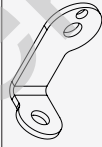

BMW X3 G01

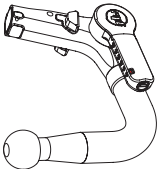
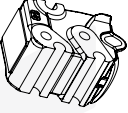
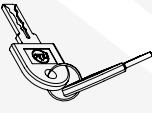


BMW iX3 G08



**BMW X3 G01
Facelift**

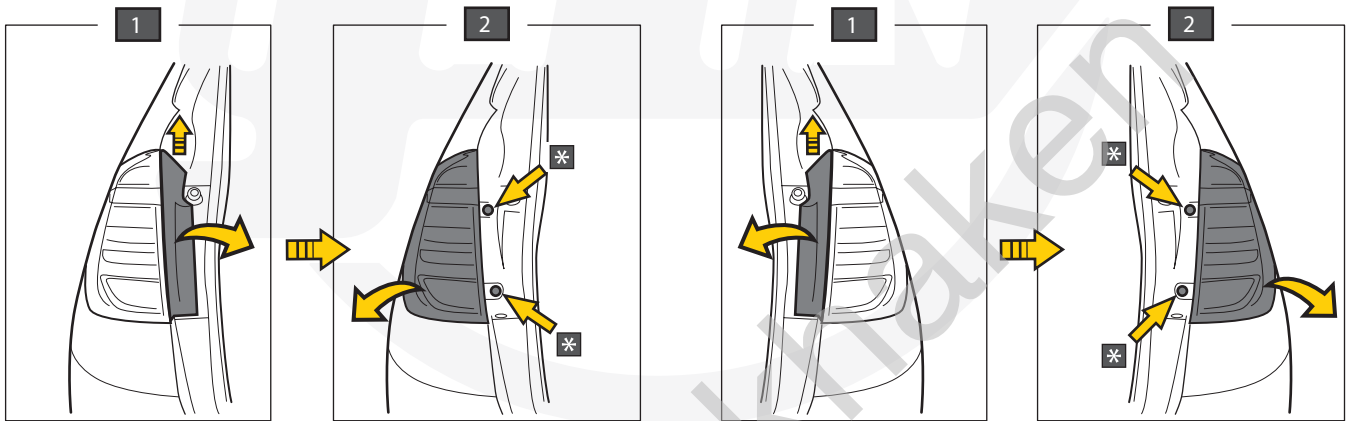
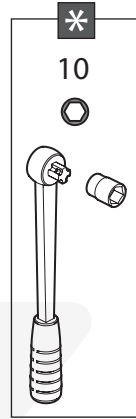
1		X1	GDW REF. 2592T60
2		X4	GDW REF. 2
3		X1	GDW REF. 3
4		X1	GDW REF. 4
5A		X1	GDW REF. 5A
5B		X1	GDW REF. 5B
6		X2	GDW REF. 6
7		X4	GDW REF. 7
8		X4	MBN13023-M12X1.5- KL10-ZNF
9		X8	DIN6923-M6
10		X2	DIN9021-M8-ELVZ
11		X2	DIN933-M8X25
12		X2	DIN985-M8
13		X2	DIN933-M6X20

-P		X1	GDW REF. P46
↑		X1	DIN985-M6
↑		X2	6,2 X 15,4 X 1,6 (NYLON)
↑		X1	GDW REF. 718.16.002
↑		X1	GDW REF. 718.16.003
↑		X1	GDW REF. 908.094
↑		X1	DIN933-M6 X 30
↑		X1	GDW REF. 908.101
		X8	GDW REF. 749.02.00351888

Geleverd met - Livré avec - Delivered with Geliefert mit - Elementos adjuntos-Leveres med		X1	GDW REF. 960.V0808
	↑	X1	GDW REF. 740.200
		X1	GDW REF. 912.003
	↑	X1	GDW REF. 740.112
	↑	X1	GDW REF. 740.111
		X1	GDW REF. 740.12X X= LAST NUMBER ON KEY
		X1	GDW REF. 718.15.001
		X1	GDW REF. SYST60-10
	↑	X3	DIN931-M12X110-8.8
	↑	X3	DIN128A-M12
	↑	X6	DIN125A-M12
	↑	X3	DIN934-M12

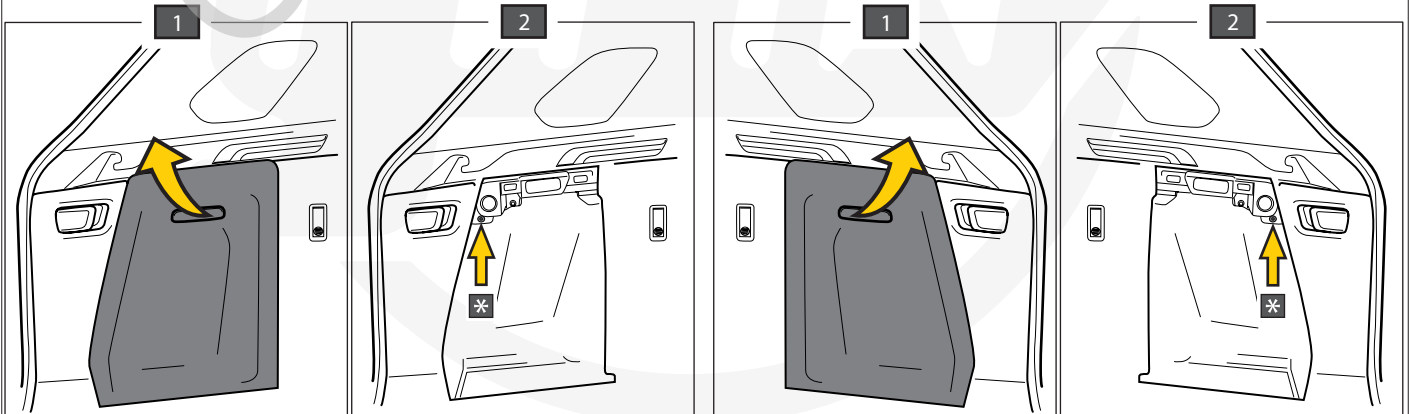
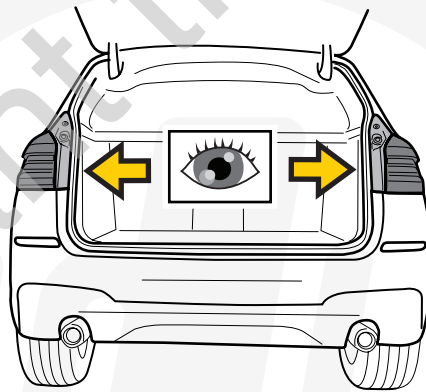
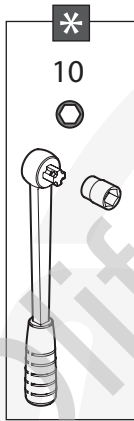
1

X3 (TYPE F25) & X4 (TYPE F26)



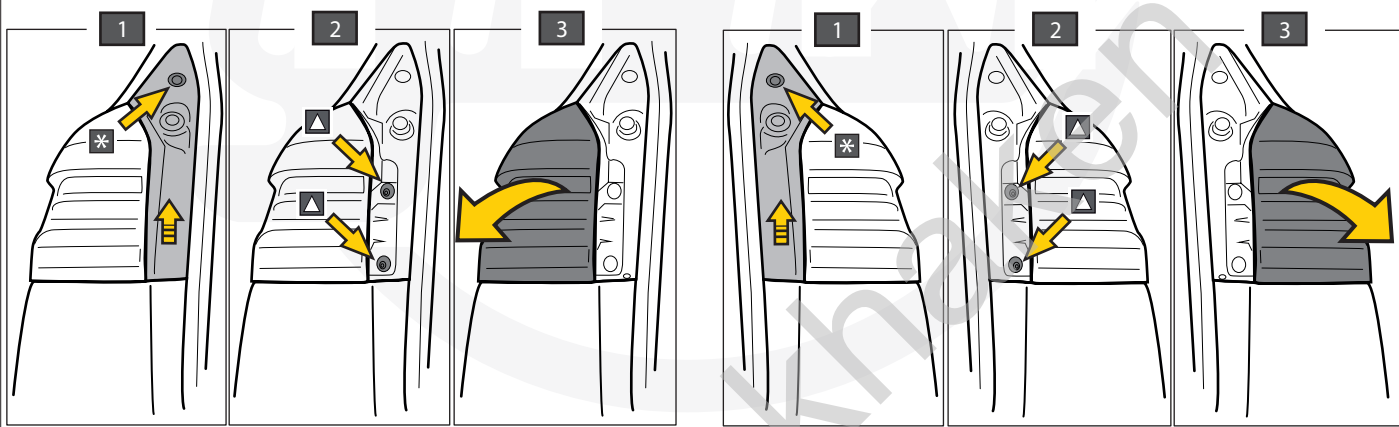
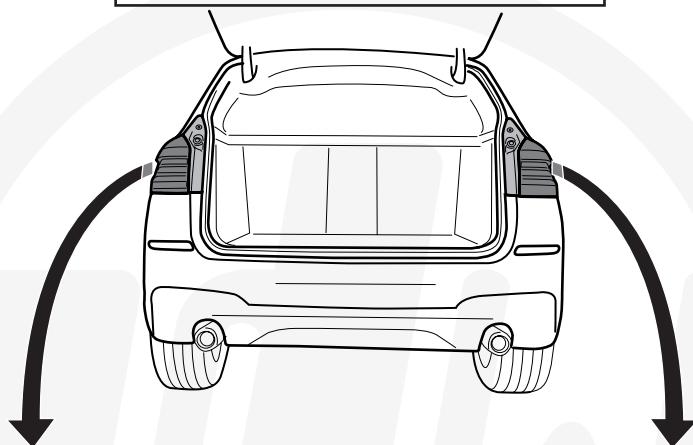
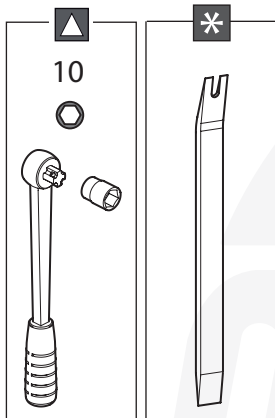
2

X3 (TYPE G01) + iX3 (TYPE G08)



3

X3 (TYPE G01) + iX3 (TYPE G08)

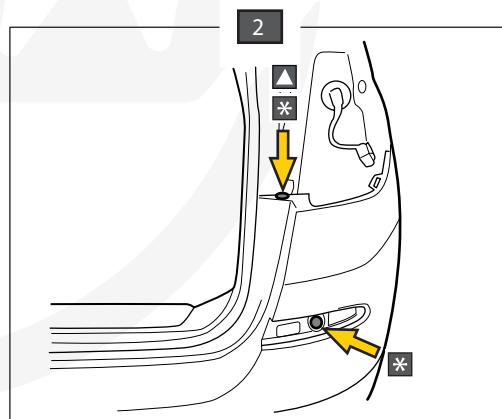
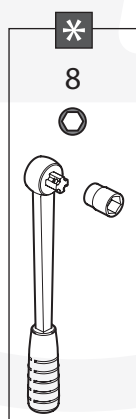
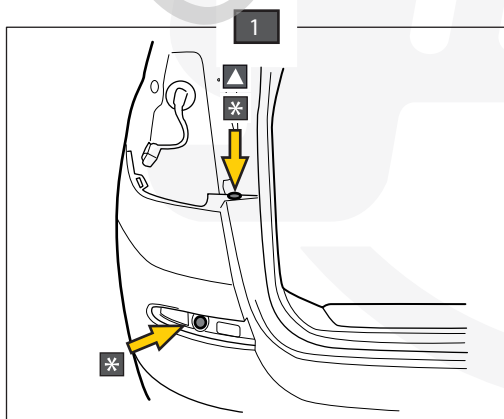
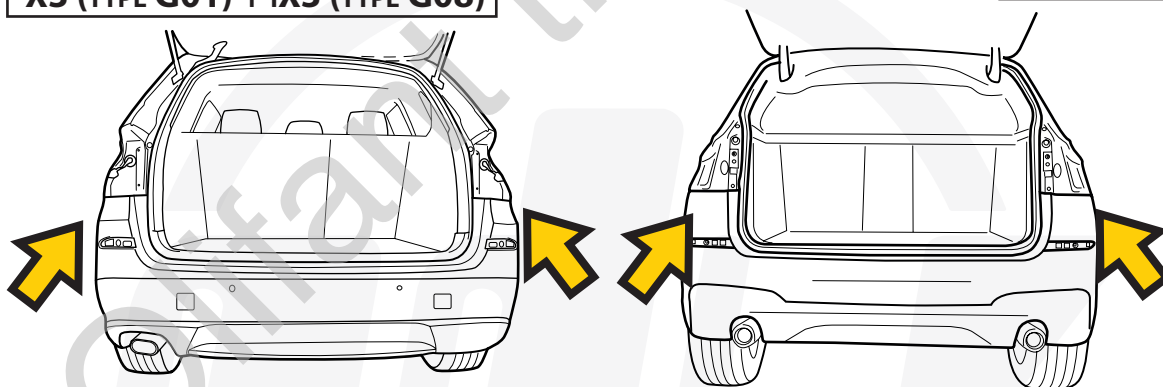


4

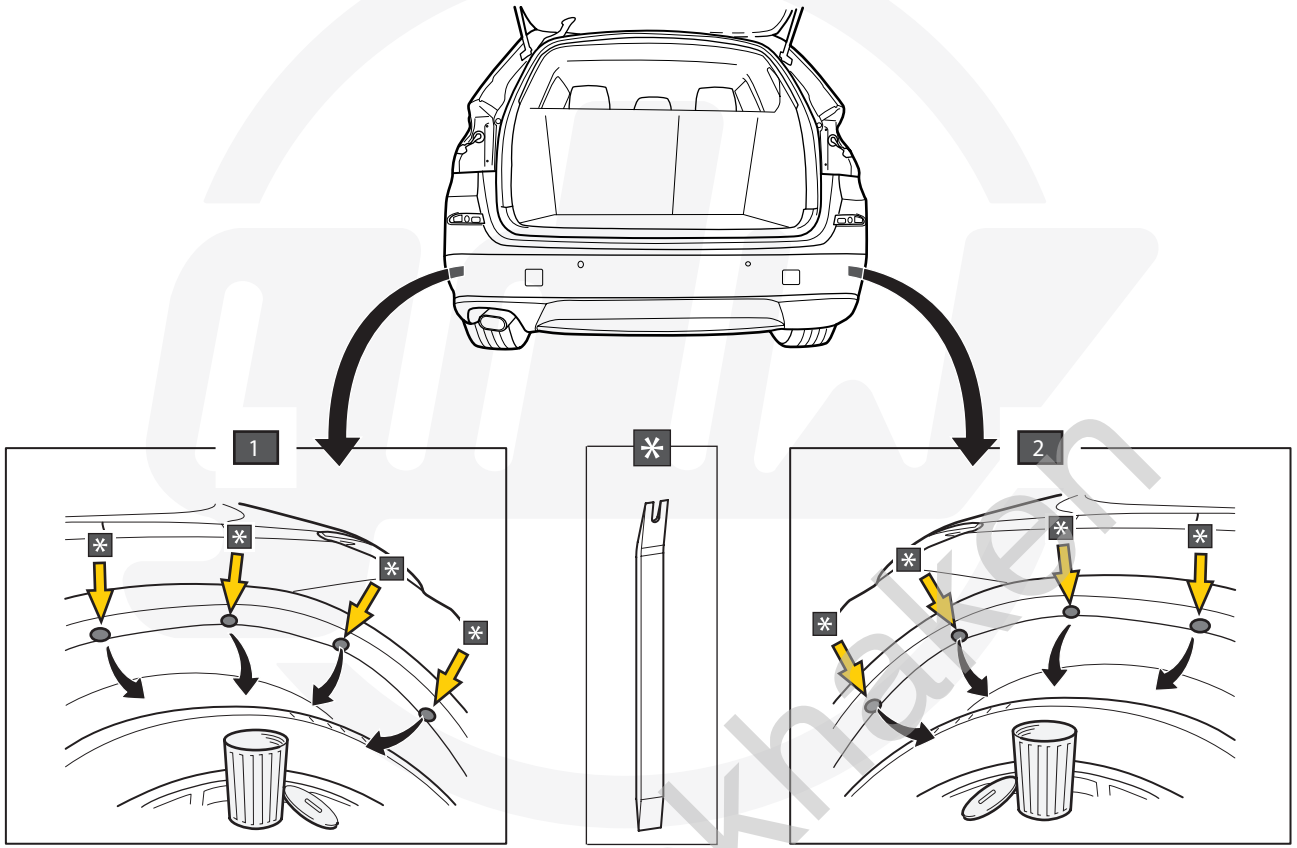
X3 (TYPE F25) & X4 (TYPE F26)

X3 (TYPE G01) + iX3 (TYPE G08)

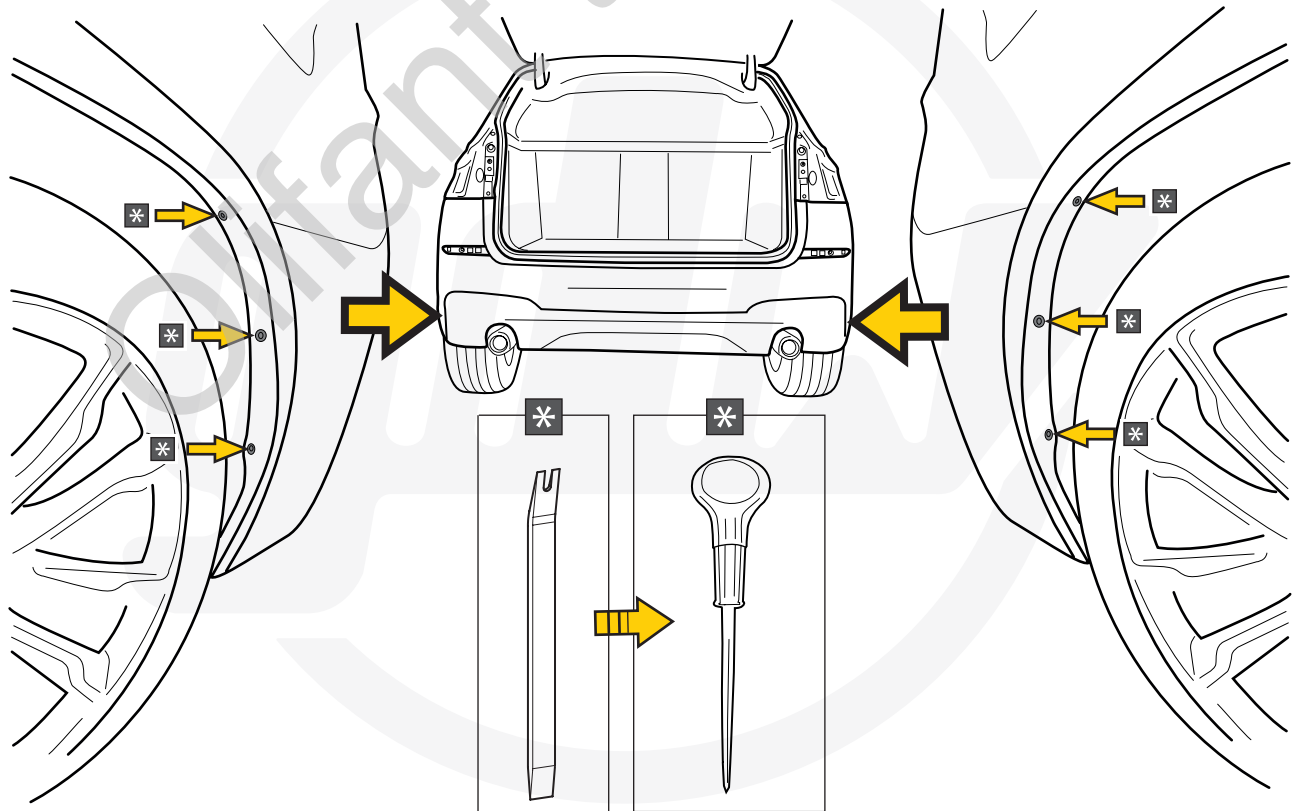
▲ iX3 (G08)



X3 (TYPE F25) & X4 (TYPE F26)

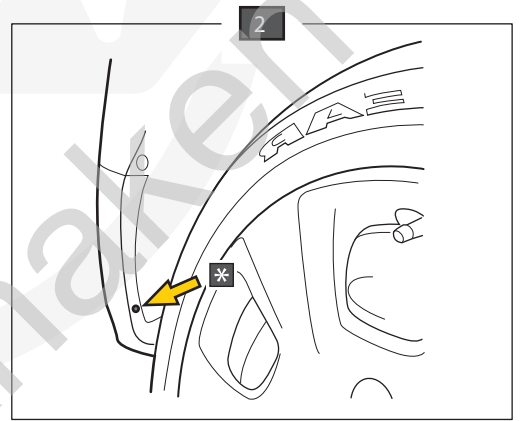
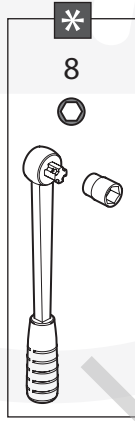
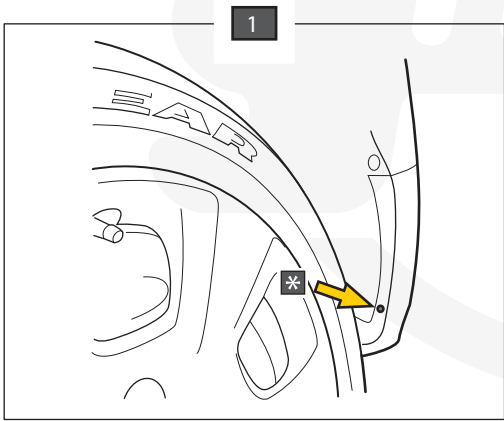
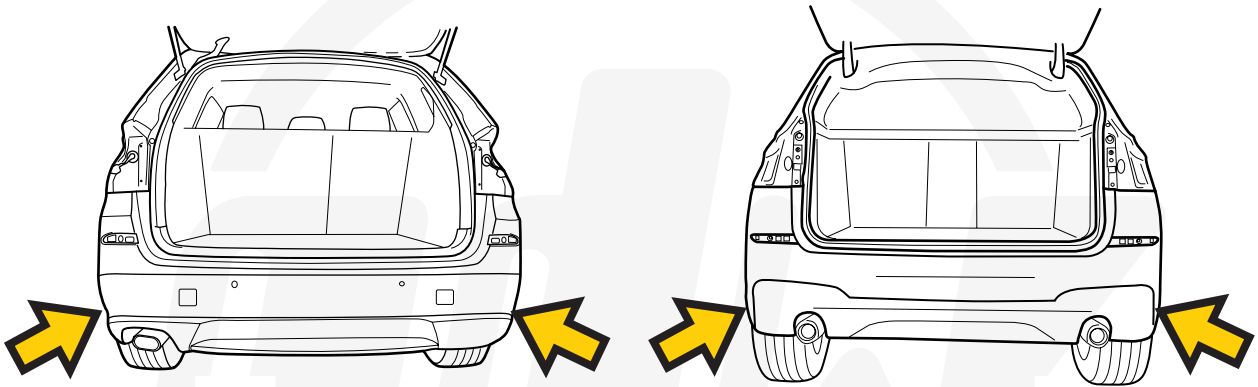


X3 (TYPE G01) + IX3 (TYPE G08)



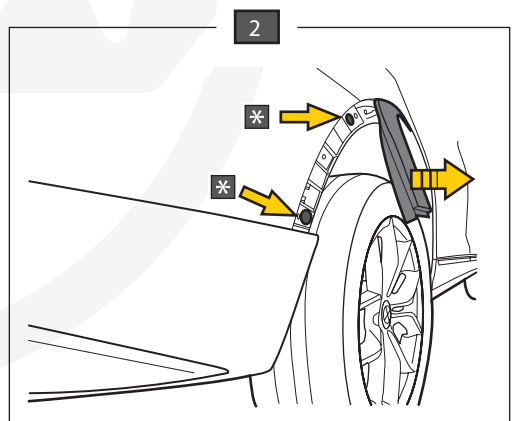
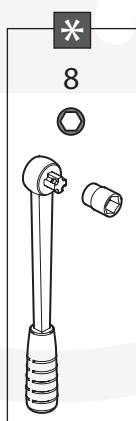
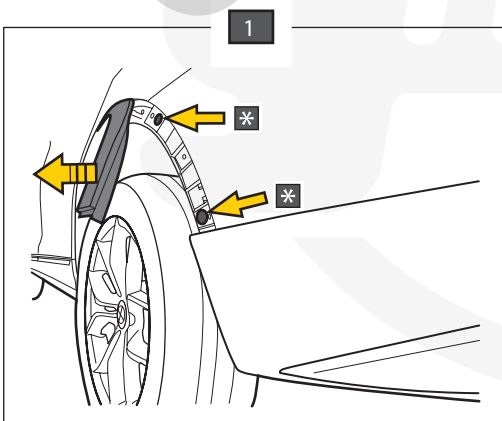
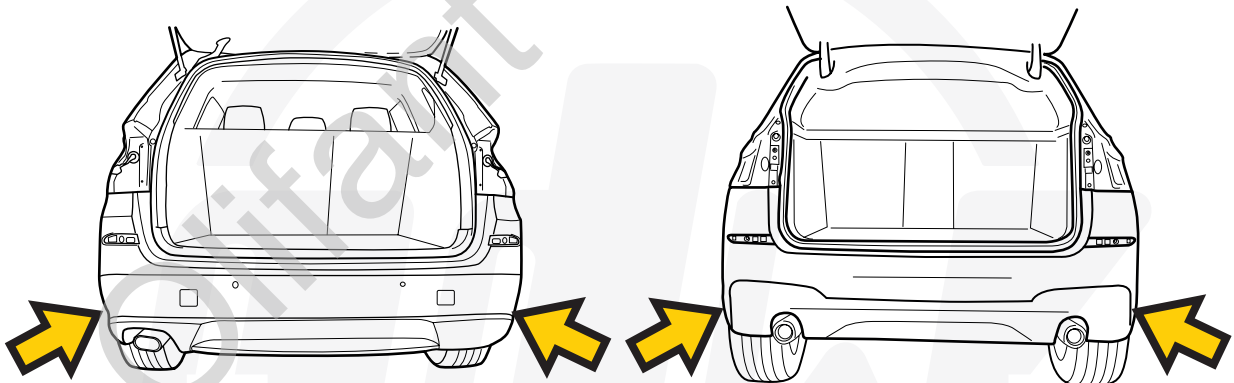
X3 (TYPE F25) & X4 (TYPE F26)

X3 (TYPE G01) + iX3 (TYPE G08)

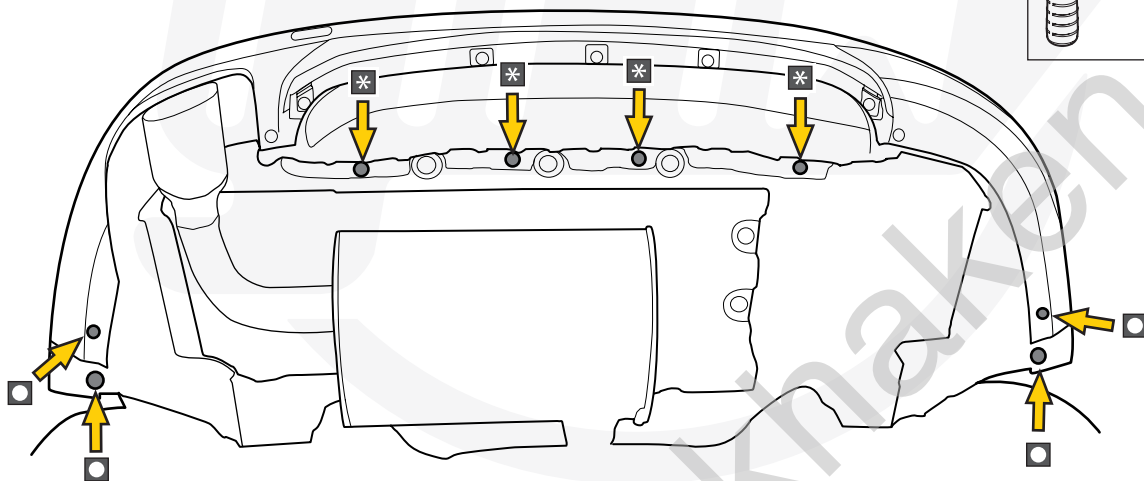
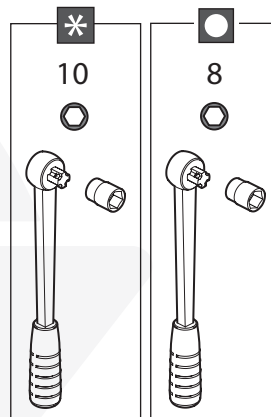
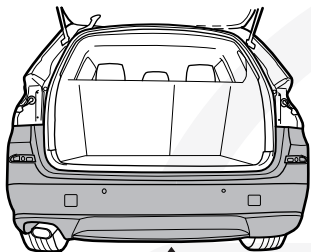


X3 (TYPE F25) & X4 (TYPE F26)

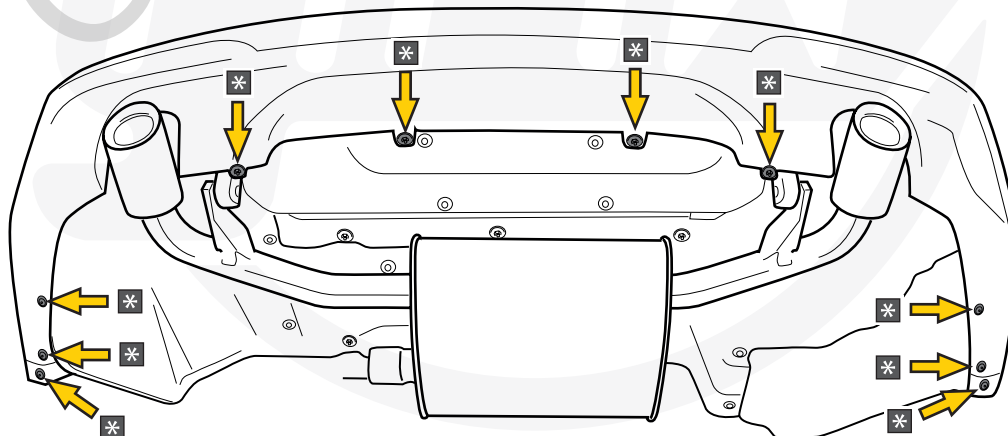
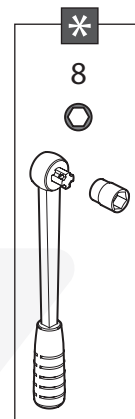
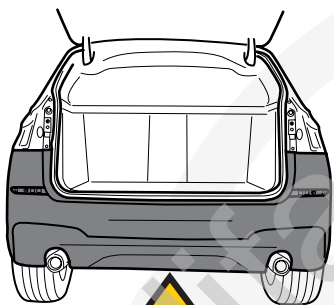
X3 (TYPE G01) + iX3 (TYPE G08)



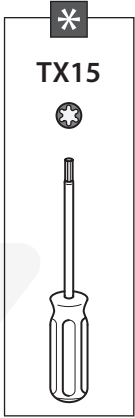
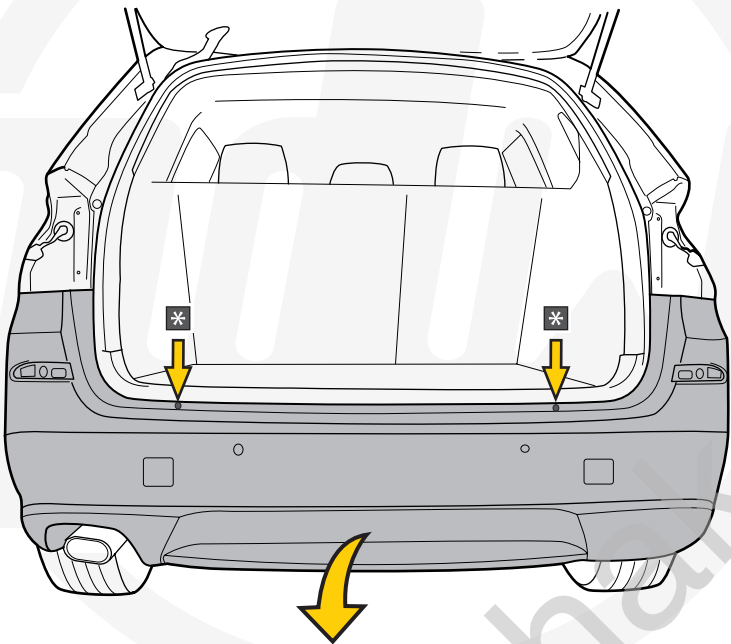
X3 (TYPE F25) & X4 (TYPE F26)



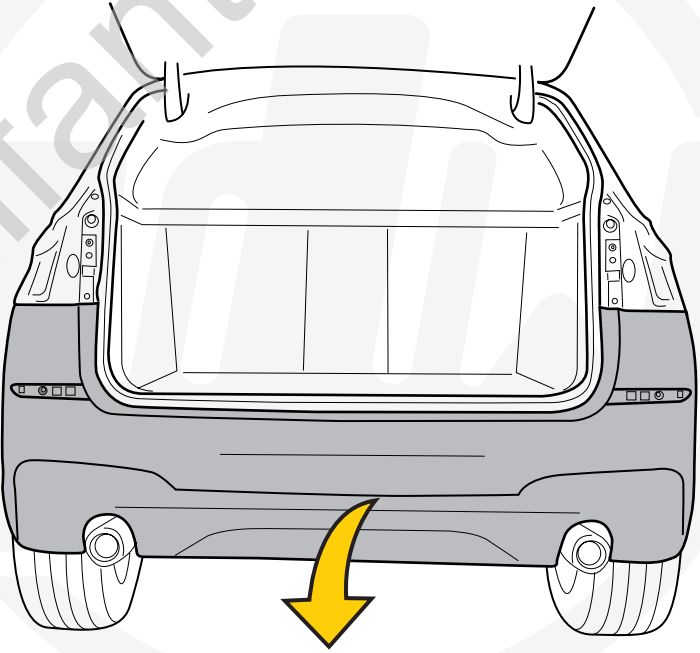
X3 (TYPE G01) + iX3 (TYPE G08)



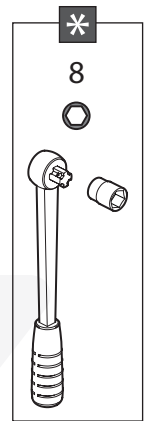
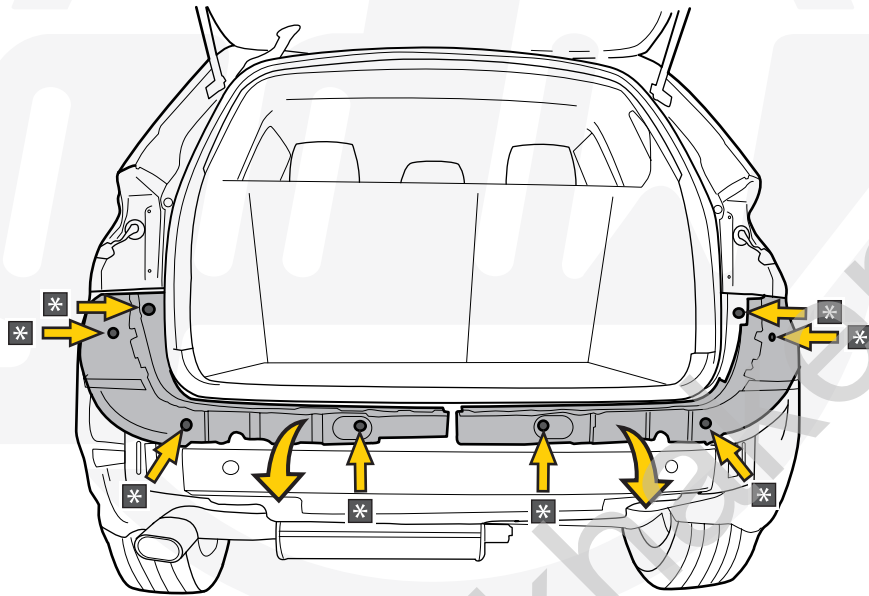
X3 (TYPE F25) & X4 (TYPE F26)



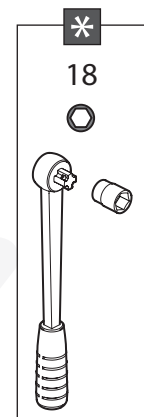
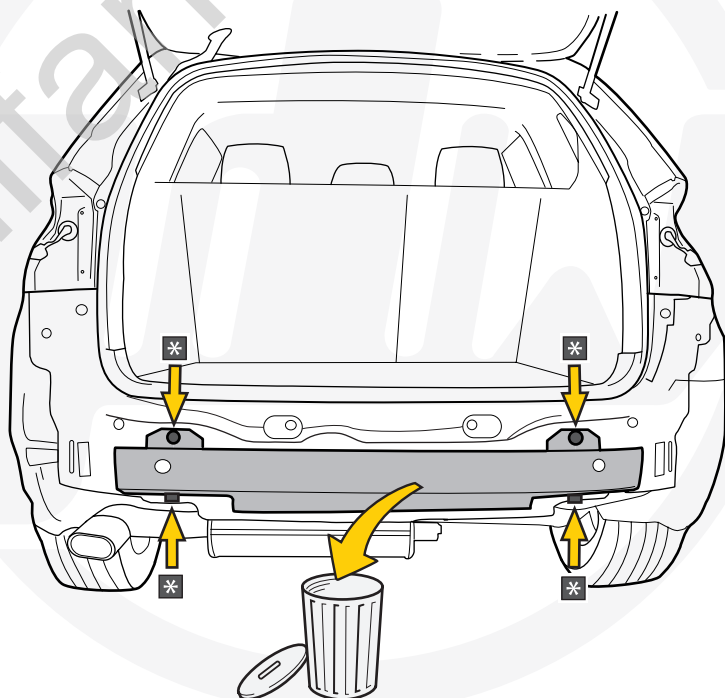
X3 (TYPE G01) + iX3 (TYPE G08)



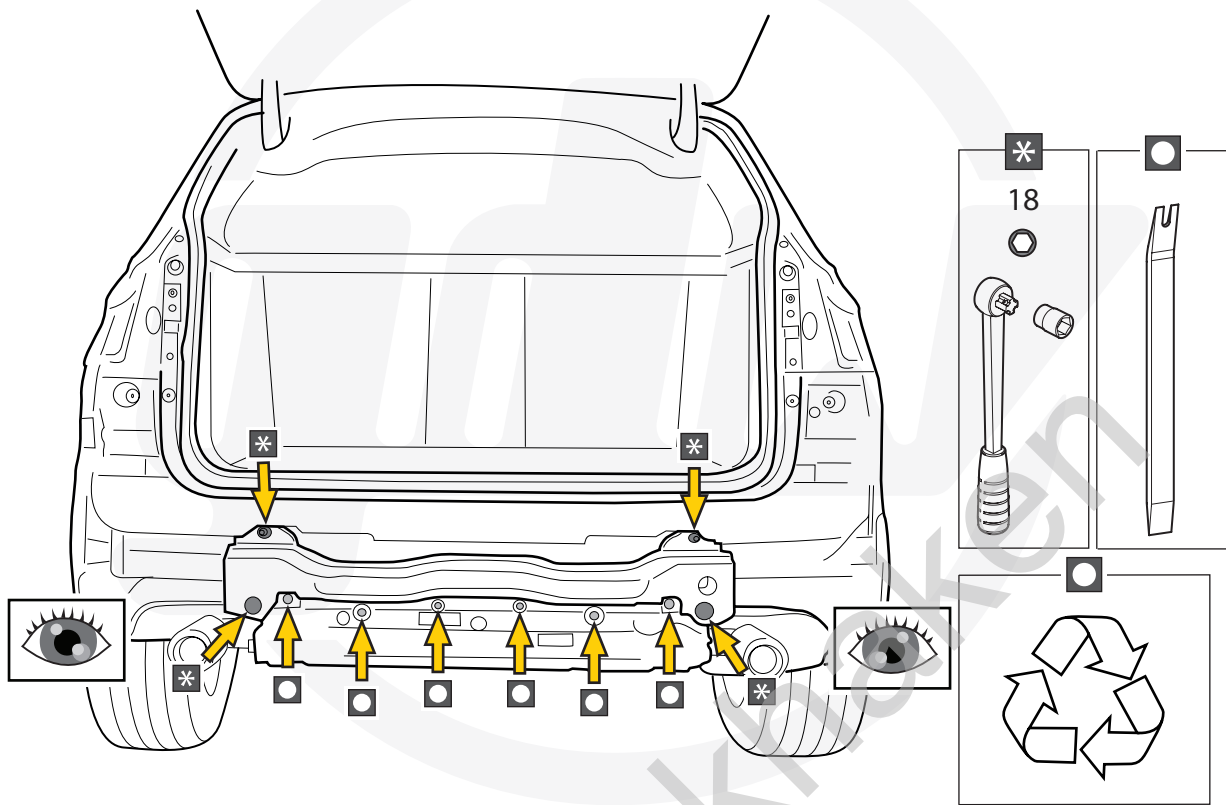
X3 (TYPE F25) & X4 (TYPE F26)



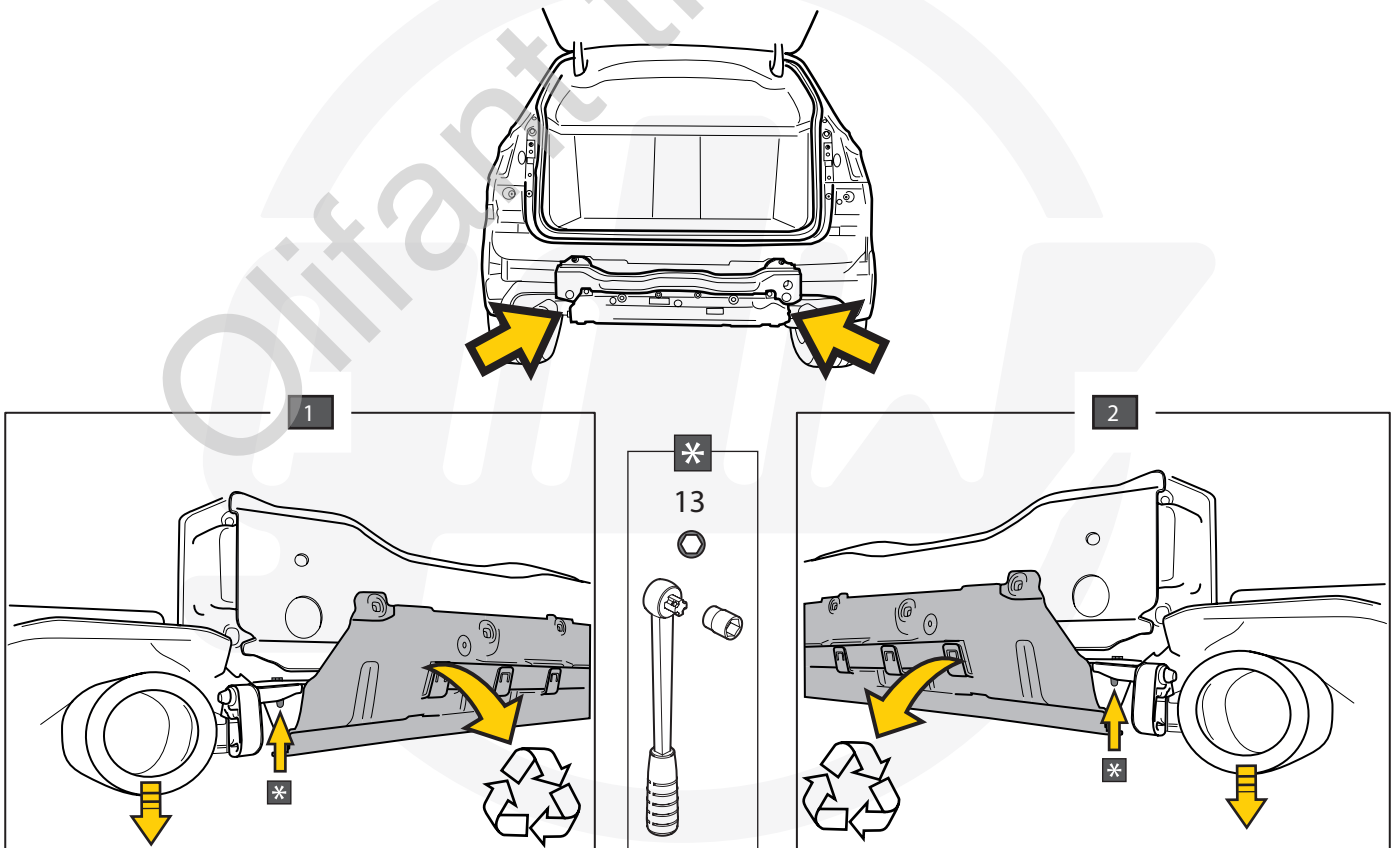
X3 (TYPE F25) & X4 (TYPE F26)



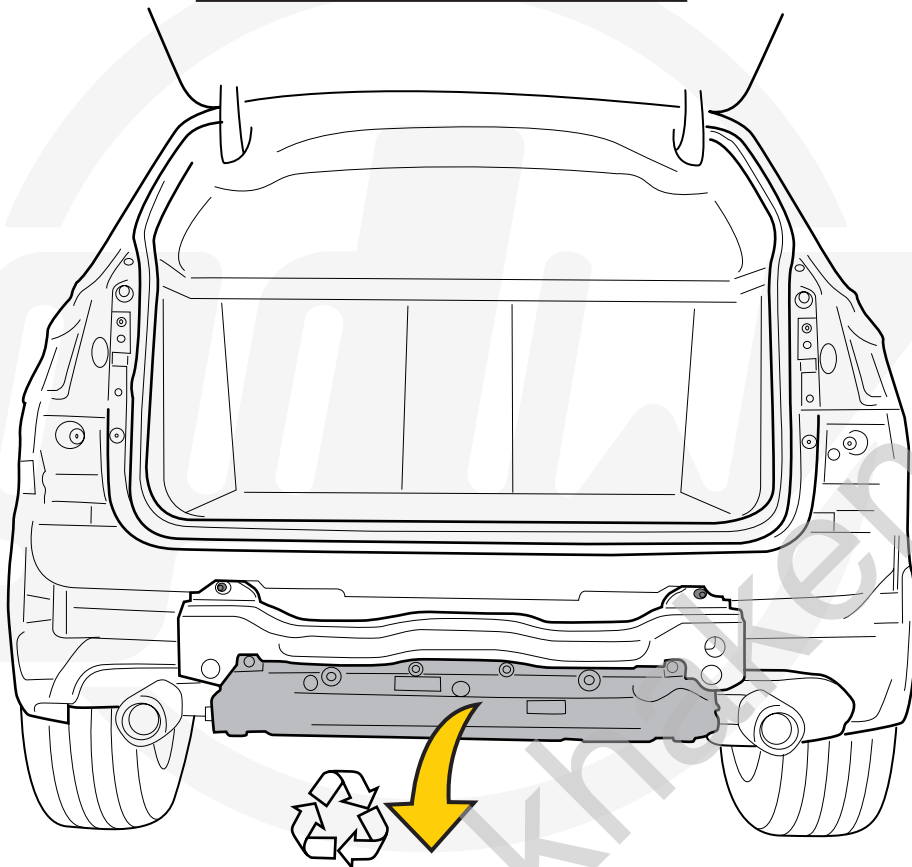
X3 (TYPE G01) + iX3 (TYPE G08)



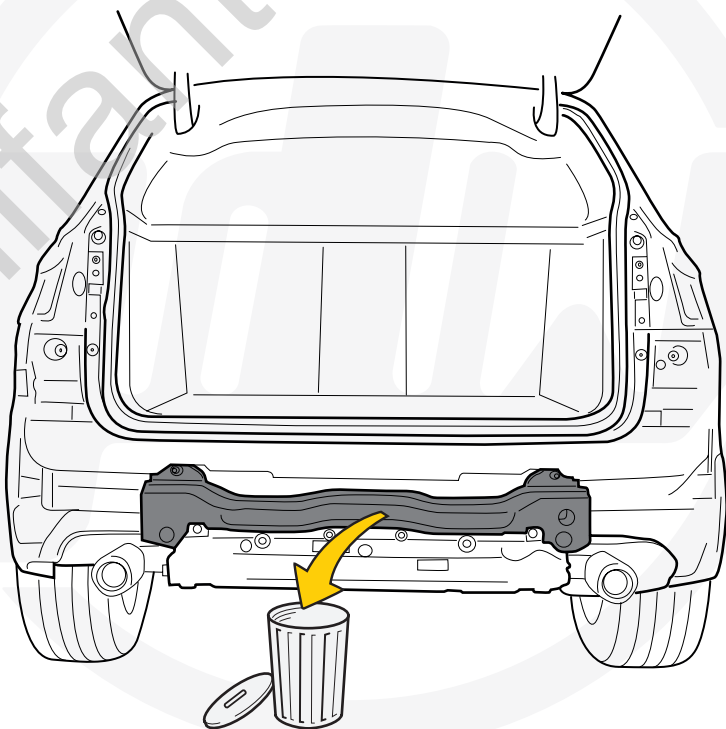
X3 (TYPE G01)



X3 (TYPE G01) + iX3 (TYPE G08)

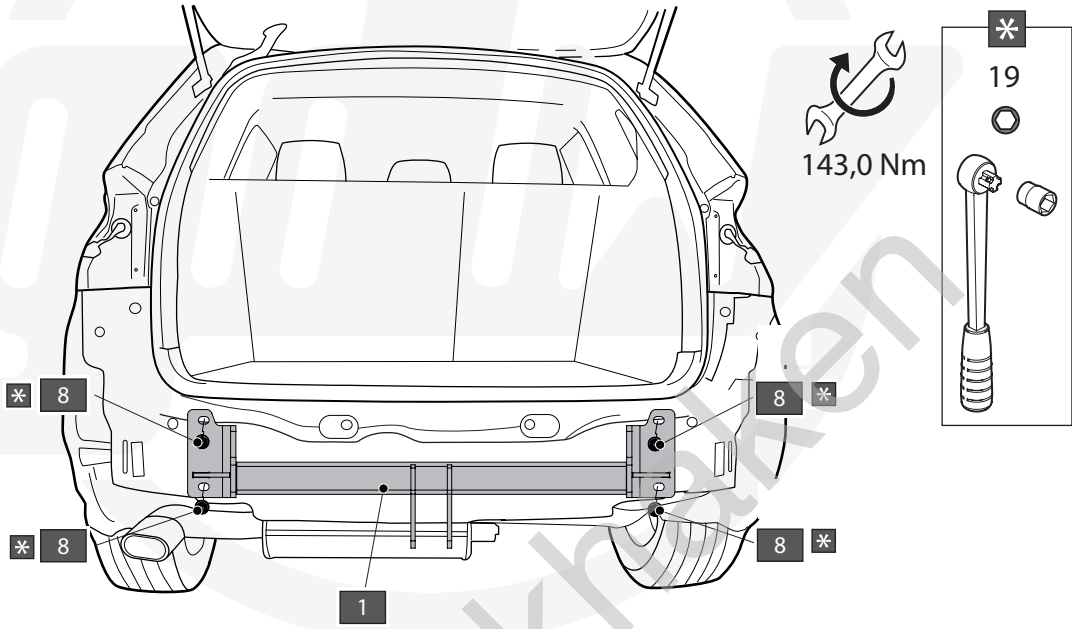


X3 (TYPE G01) + iX3 (TYPE G08)



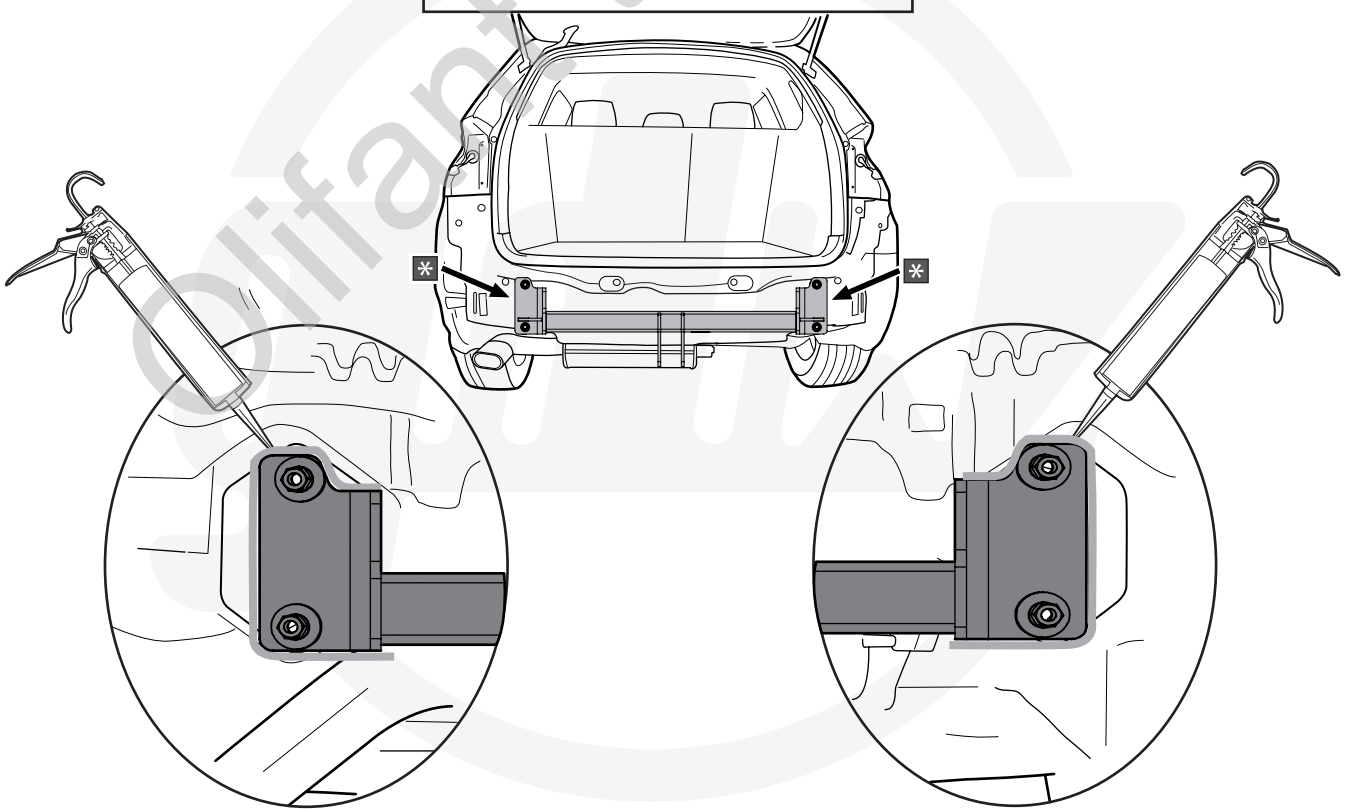
X3 (TYPE F25) & X4 (TYPE F26)

iX3 (TYPE G08)



X3 (TYPE F25) & X4 (TYPE F26)

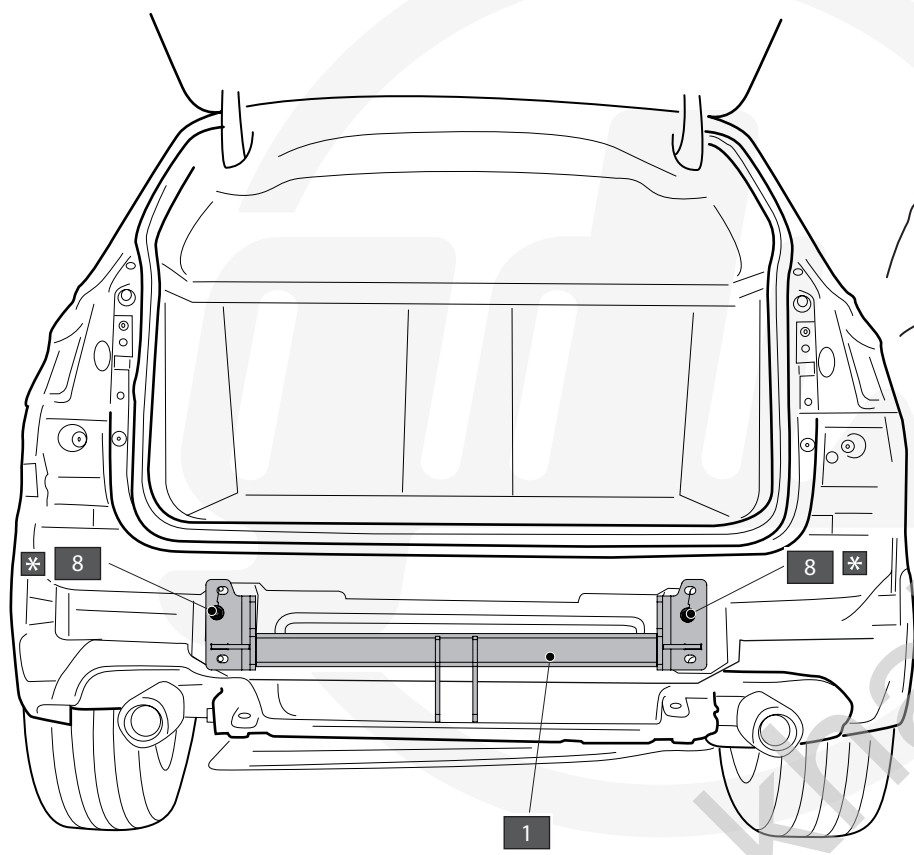
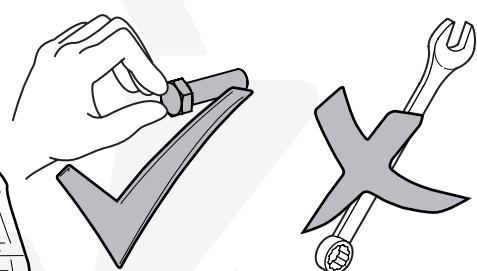
iX3 (TYPE G08)



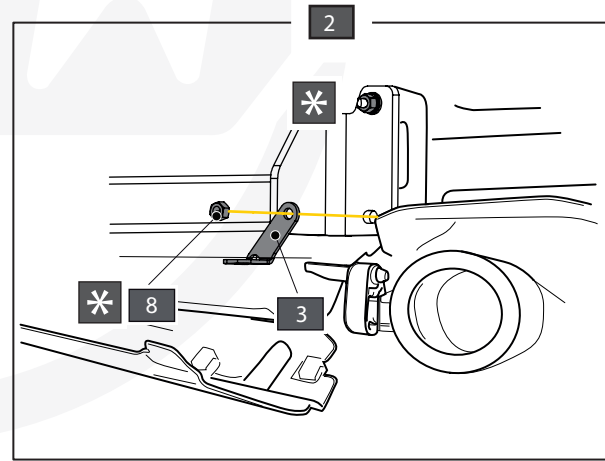
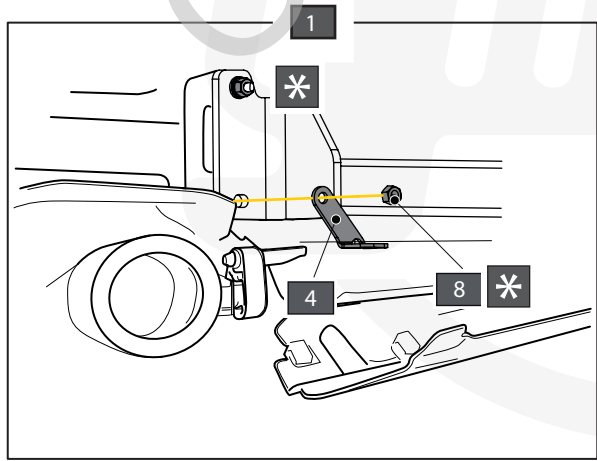
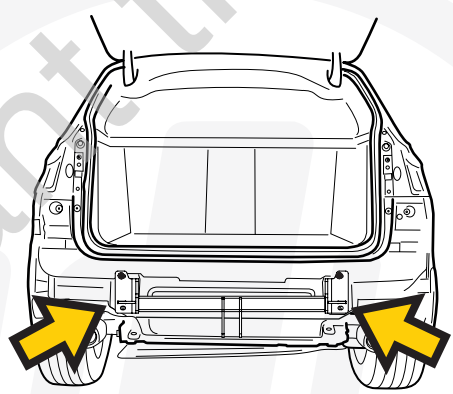
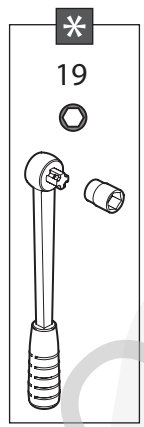
X3 (TYPE G01)



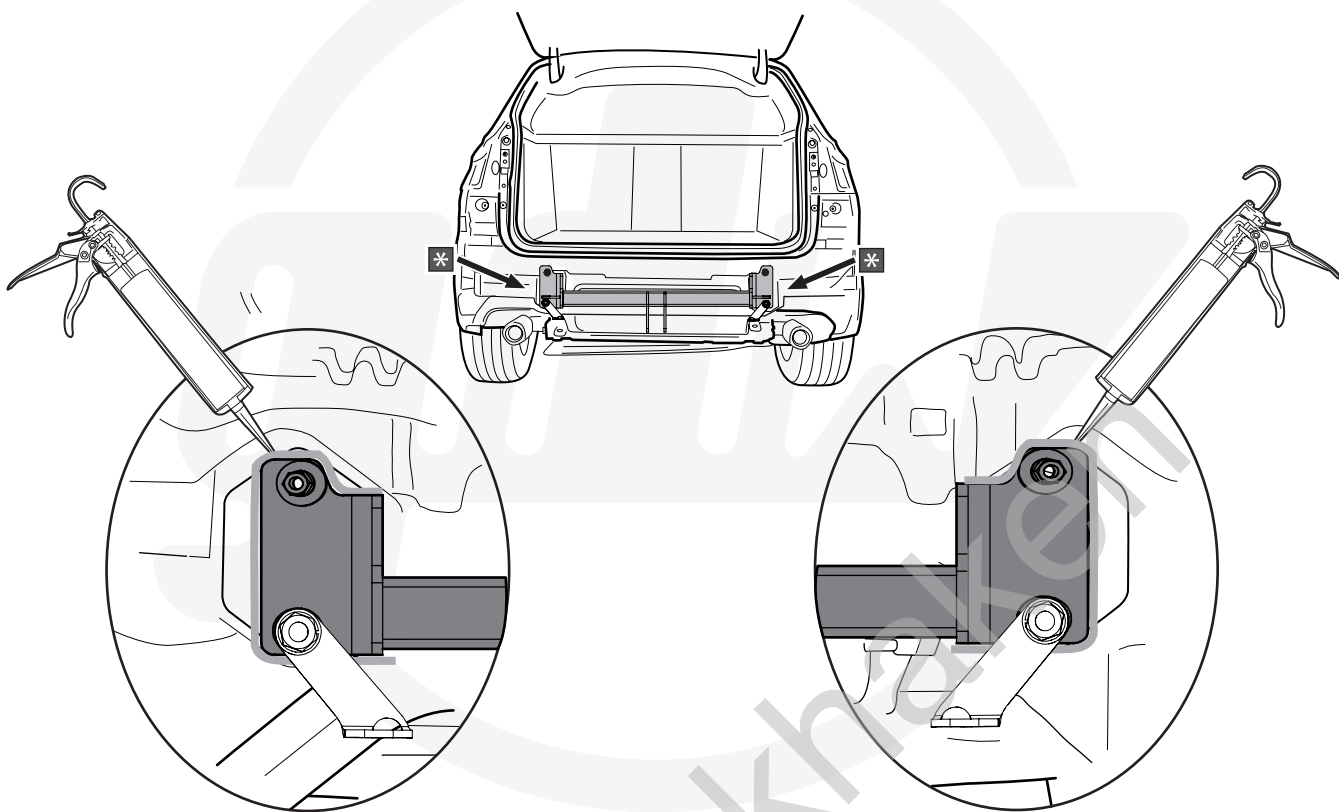
*



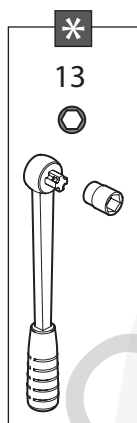
X3 (TYPE G01) + FL



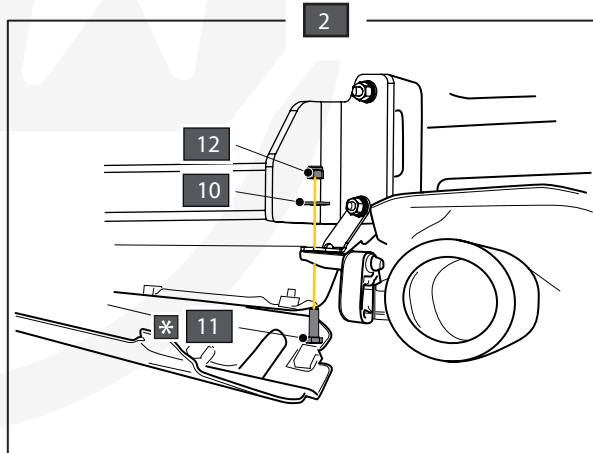
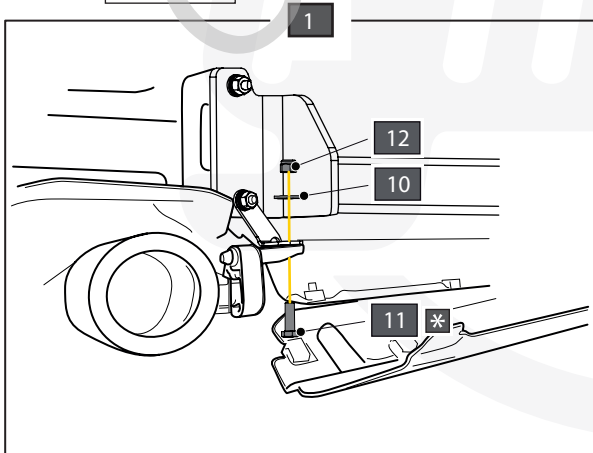
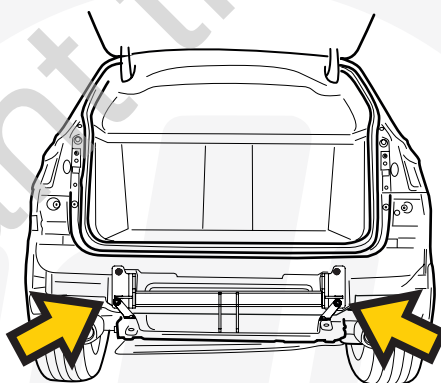
X3 (TYPE G01) + FL



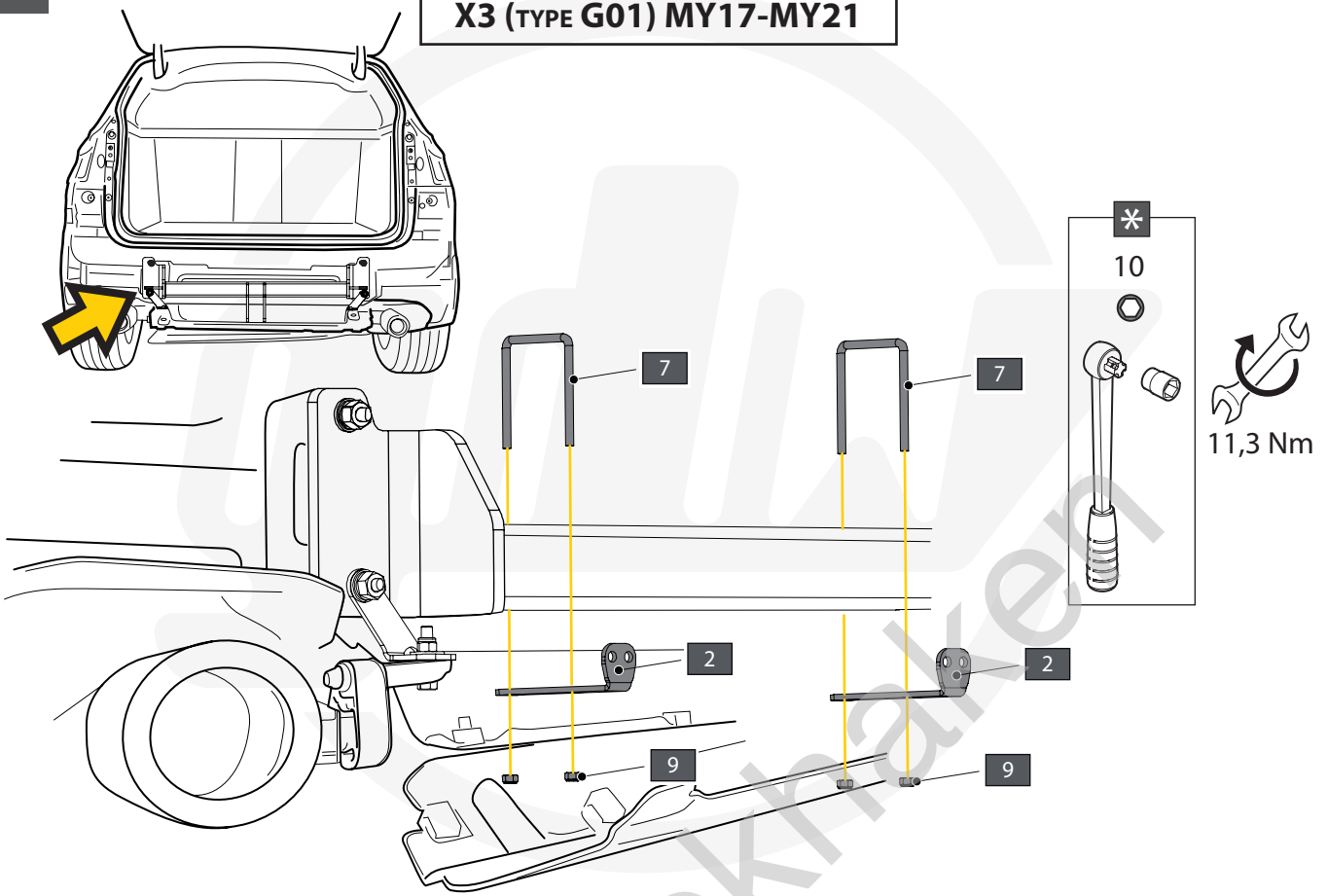
X3 (TYPE G01) + FL



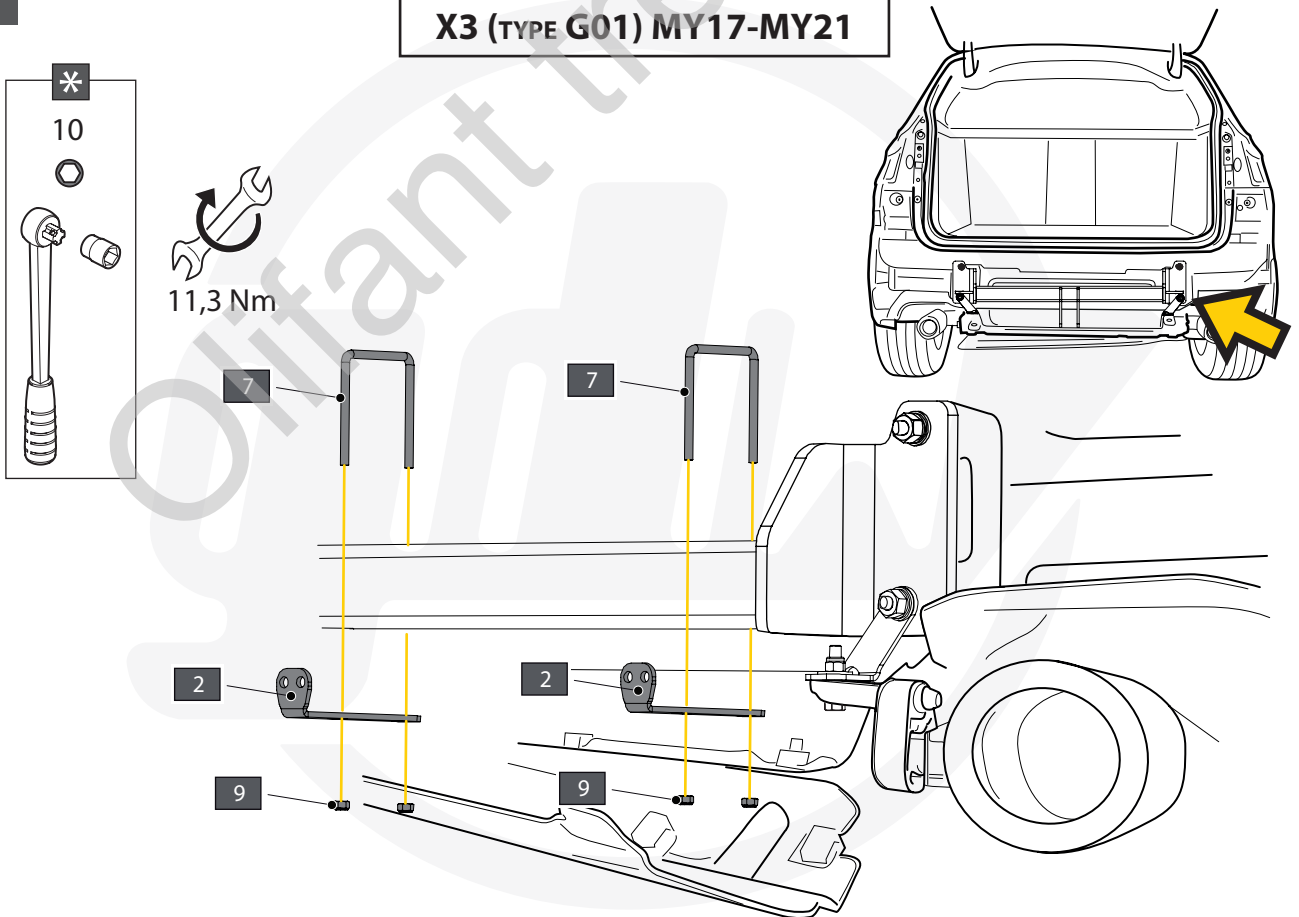
27,3 Nm



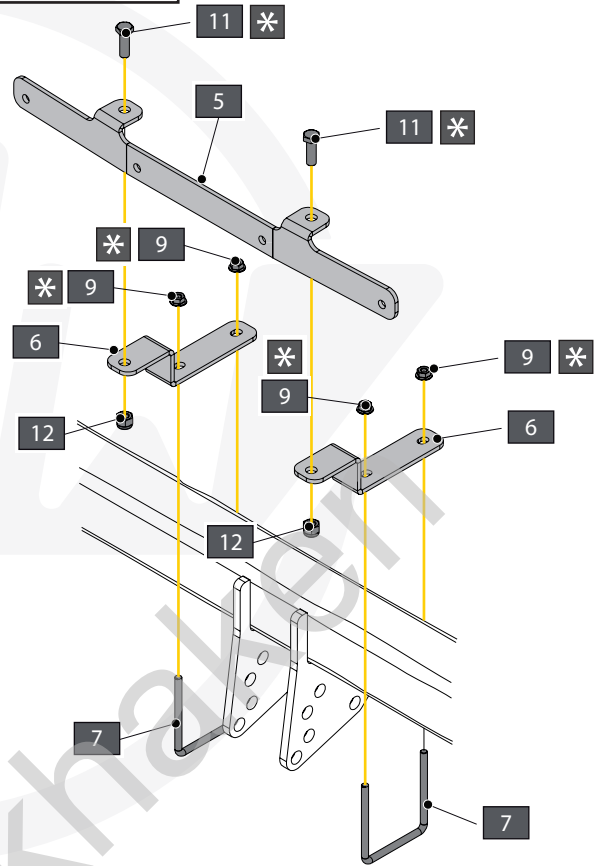
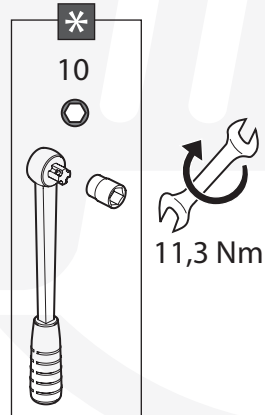
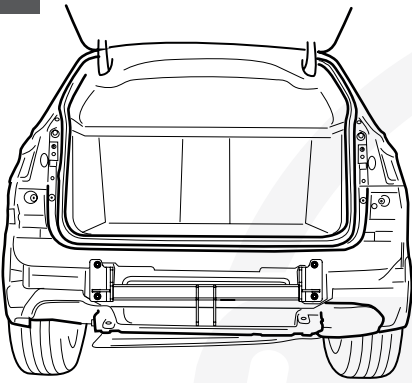
X3 (TYPE G01) MY17-MY21



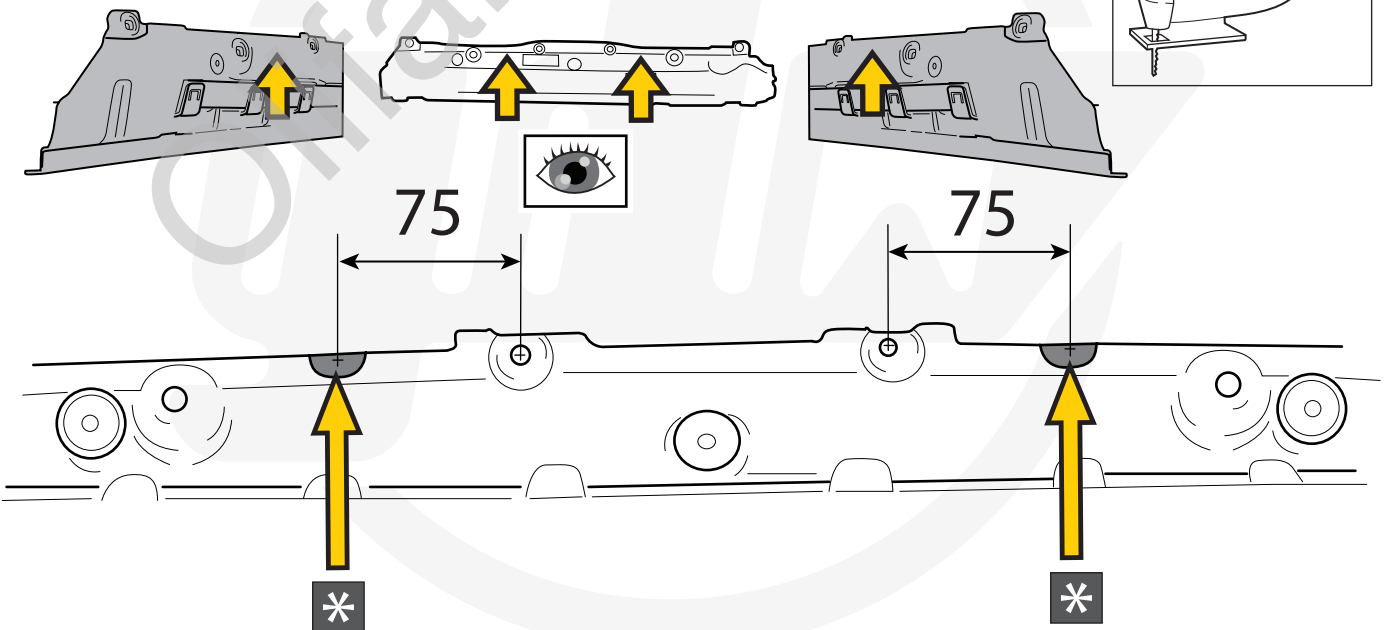
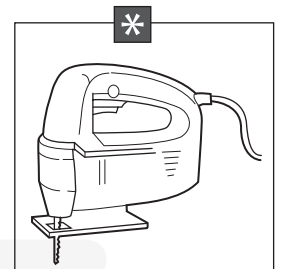
X3 (TYPE G01) MY17-MY21



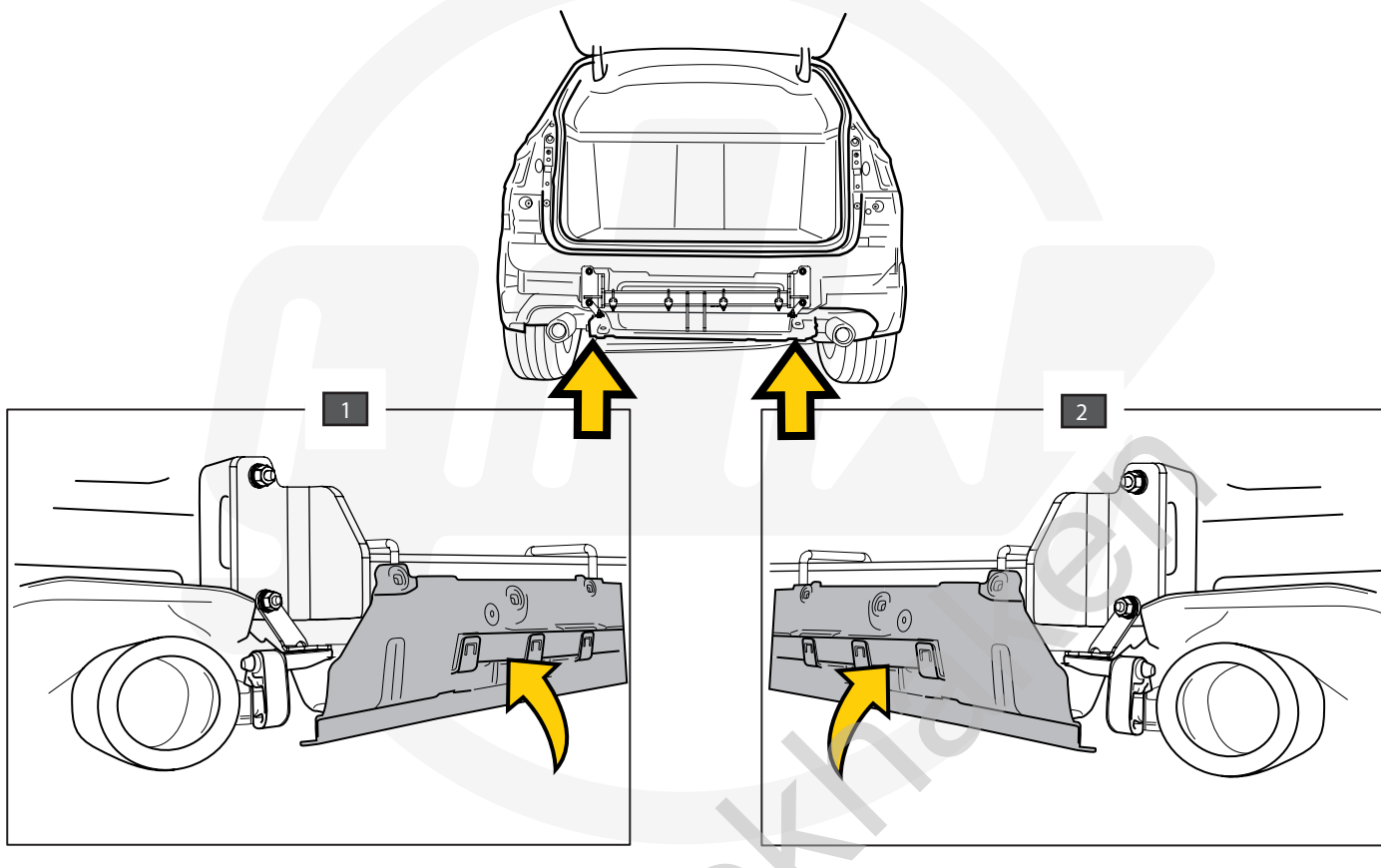
iX3 (TYPE G08)



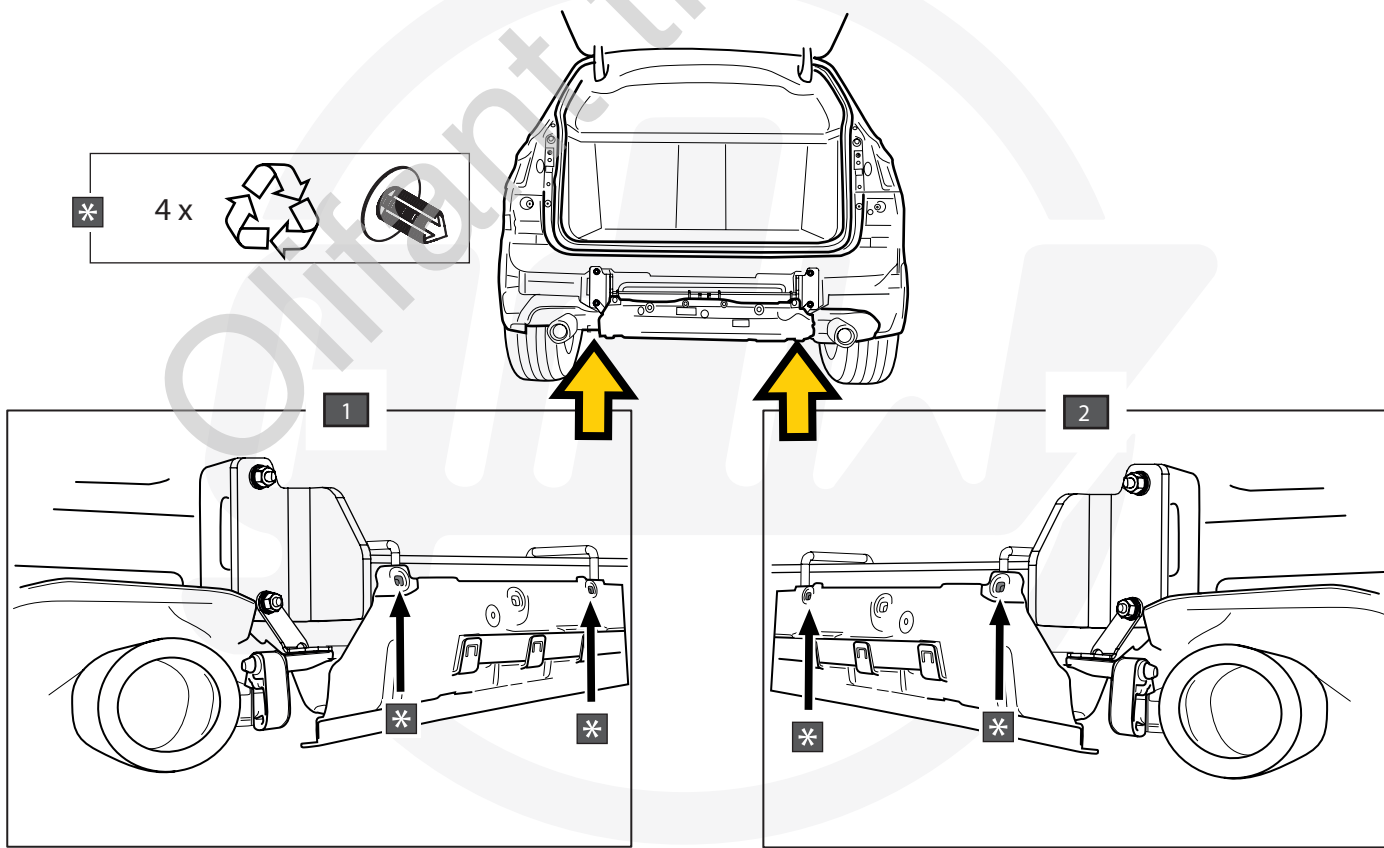
X3 (TYPE G01) FACELIFT MY22



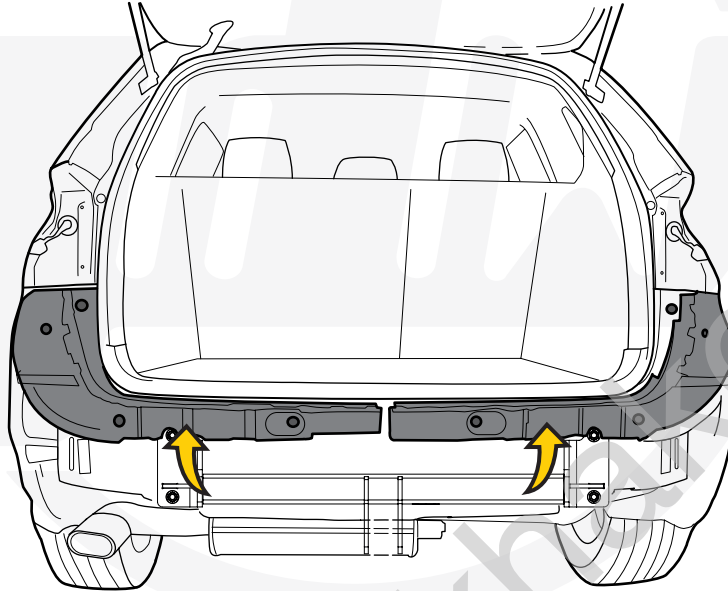
X3 (TYPE G01) + iX3 (TYPE G08)

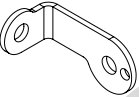



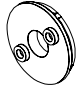
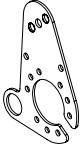



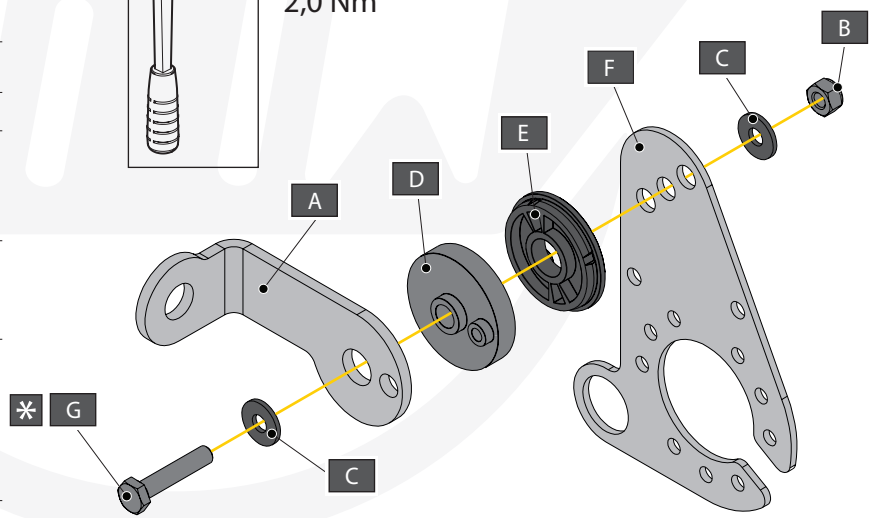
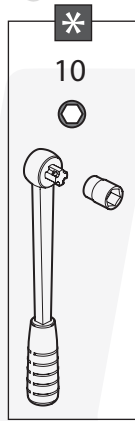
X3 (TYPE G01) + iX3 (TYPE G08)



X3 (TYPE F25) & X4 (TYPE F26)

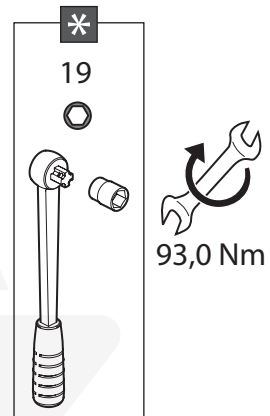


A		X1 GDW REF. 908.101
B		X1 DIN985-M6
C		X2 Ø15,4 X 6,2 X 1,6 (NYLON)
D		X1 GDW REF. 718.16.002
E		X1 GDW REF. 718.16.003
F		X1 GDW REF. 908.094
G		X1 DIN933-M6 X 30

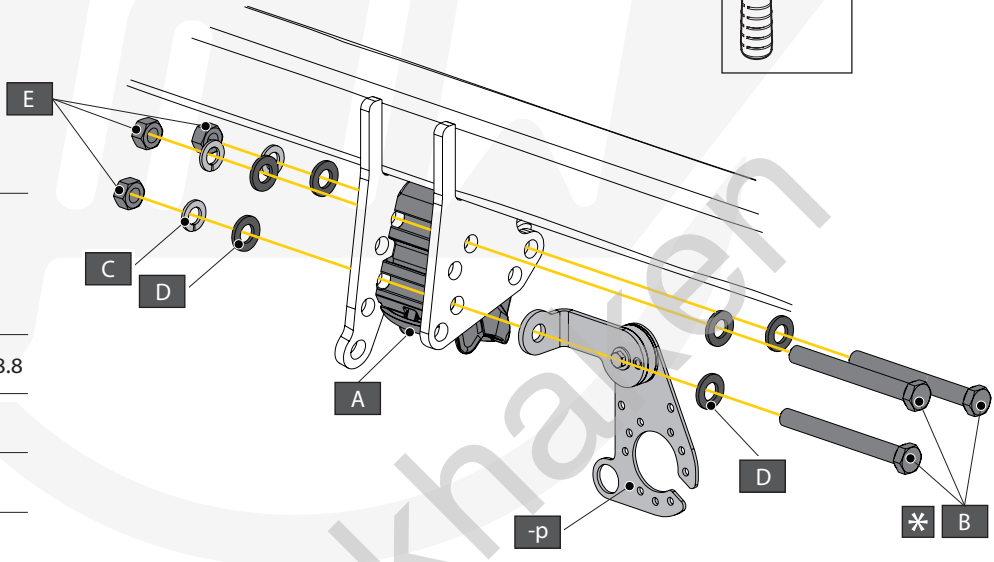


X3 (TYPE F25) & X4 (TYPE F26)

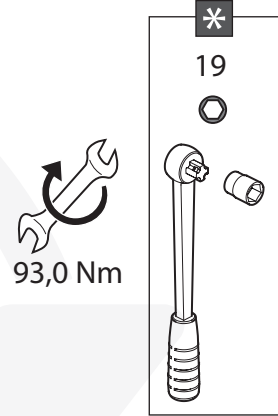
iX3 (TYPE G08)



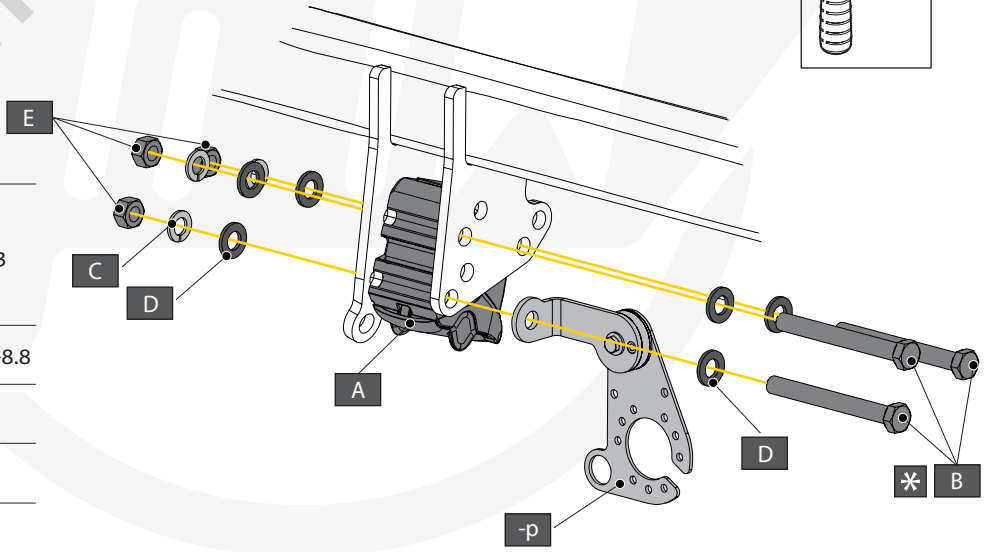
A		X1	GDW REF. 912.003
B		X3	DIN931-M12X110-8.8
C		X3	DIN128A-M12
D		X6	DIN125A-M12
E		X3	DIN934-M12

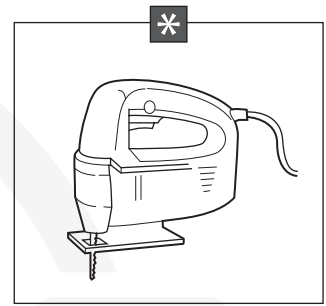
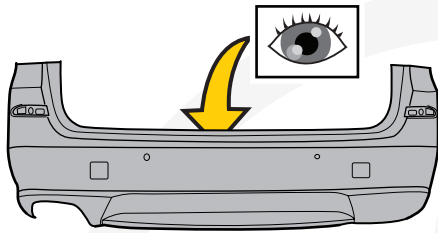


X3 (TYPE G01)

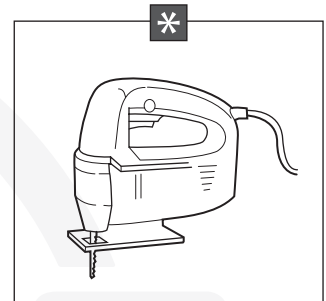
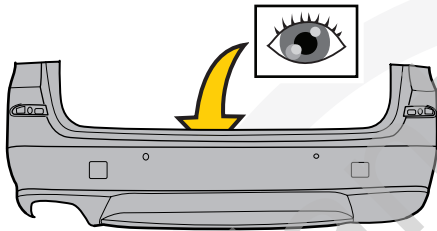
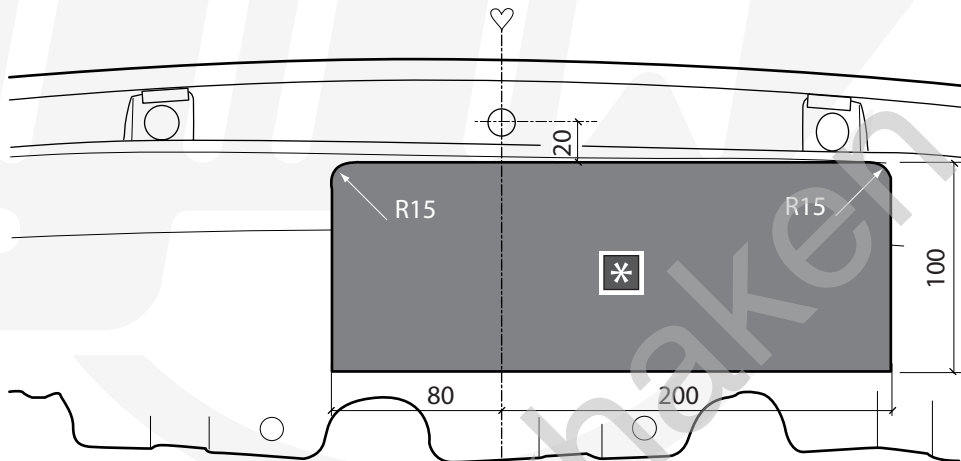


A		X1	GDW REF. 912.003
B		X3	DIN931-M12X110-8.8
C		X3	DIN128A-M12
D		X6	DIN125A-M12
E		X3	DIN934-M12

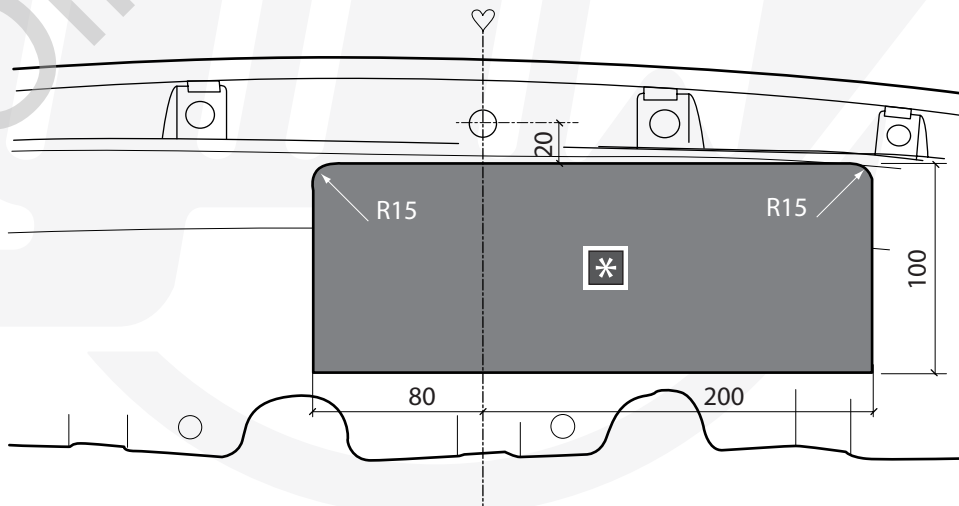


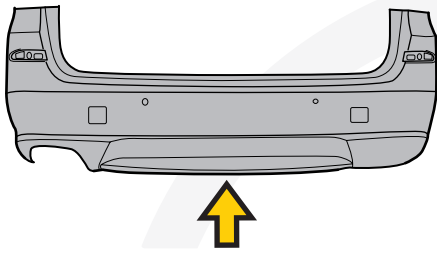


BMW X3 Typ F25 11/'10 - 04/'14

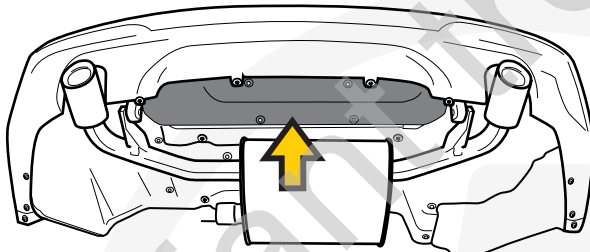
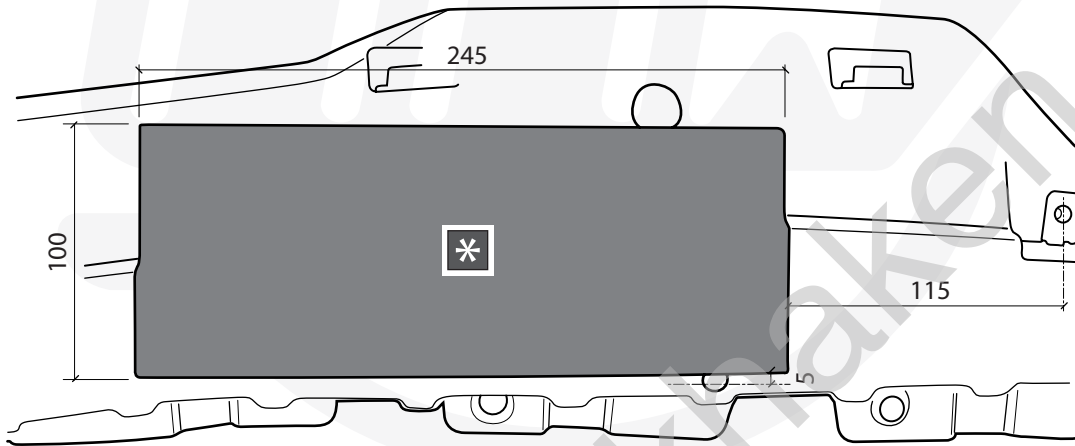
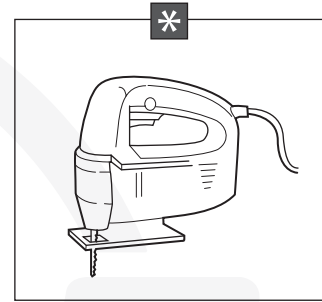


BMW X3 Typ F25 05/'14 -

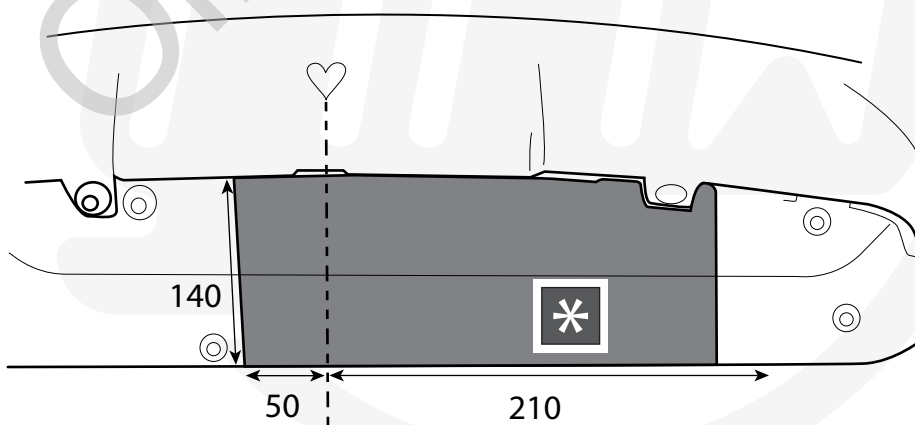
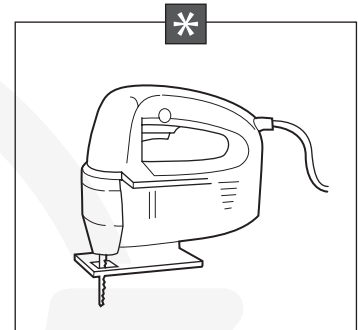


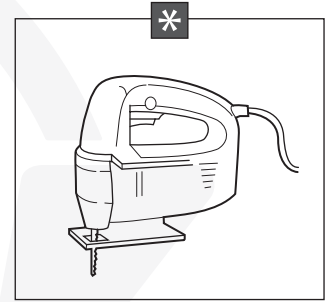
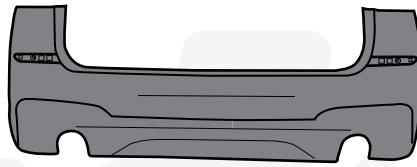


BMW X4 Typ F26 '14 -

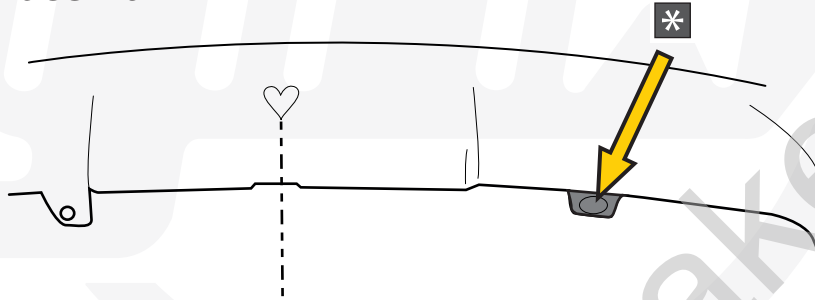


BMW X3 Typ G01 '17 - '21
BMW X3 Facelift MY22

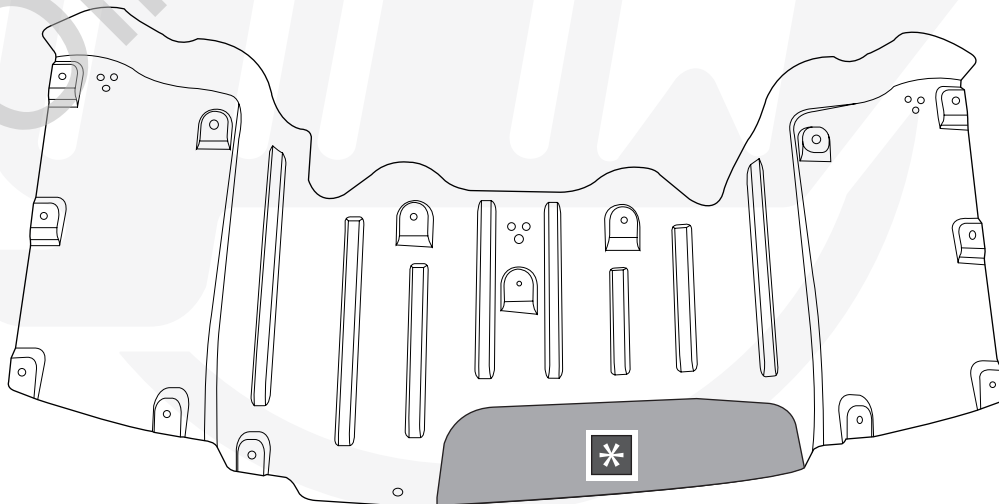
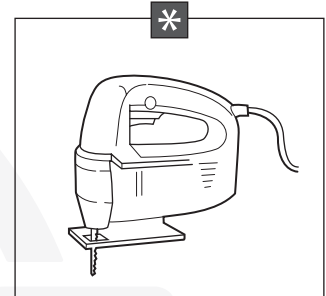
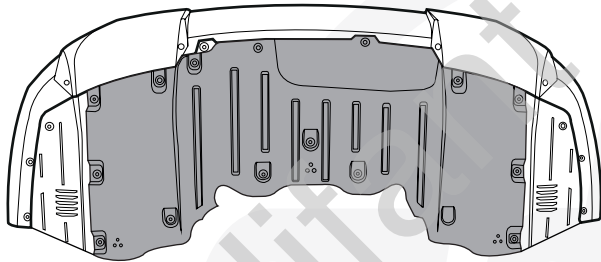




BMW X3 Facelift MY22

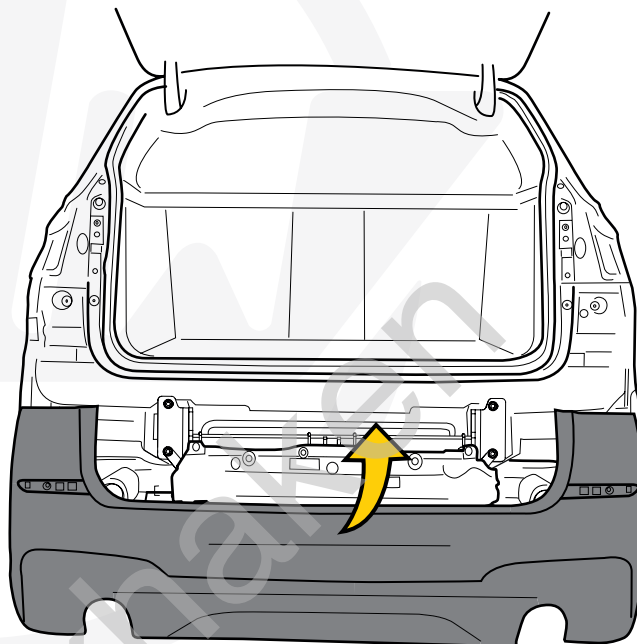
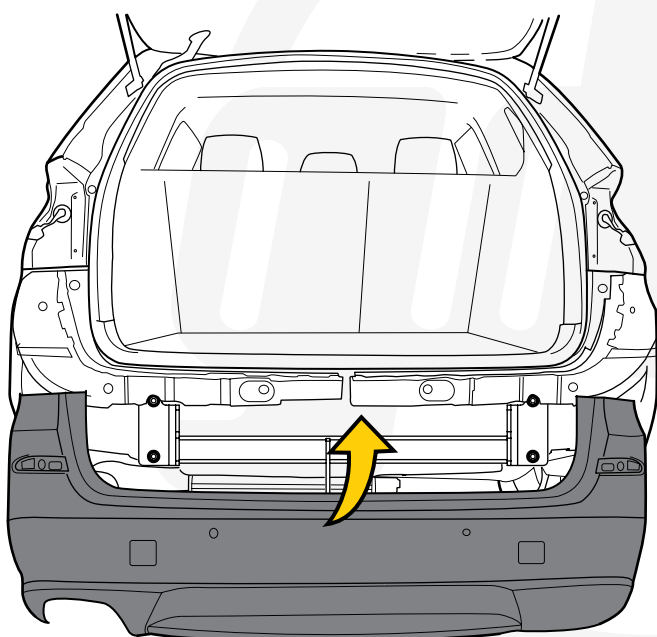


iX3 (TYPE G08)

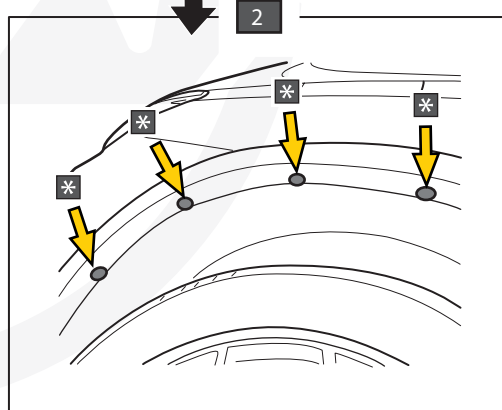
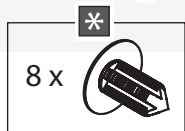
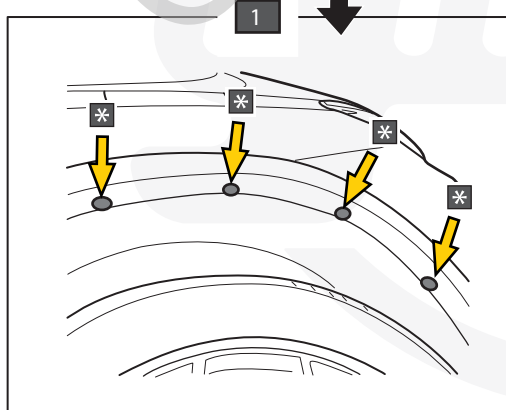
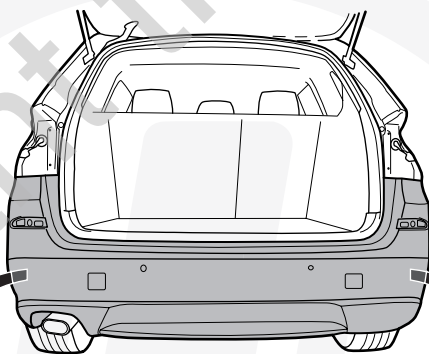


X3 (TYPE F25) & X4 (TYPE F26)

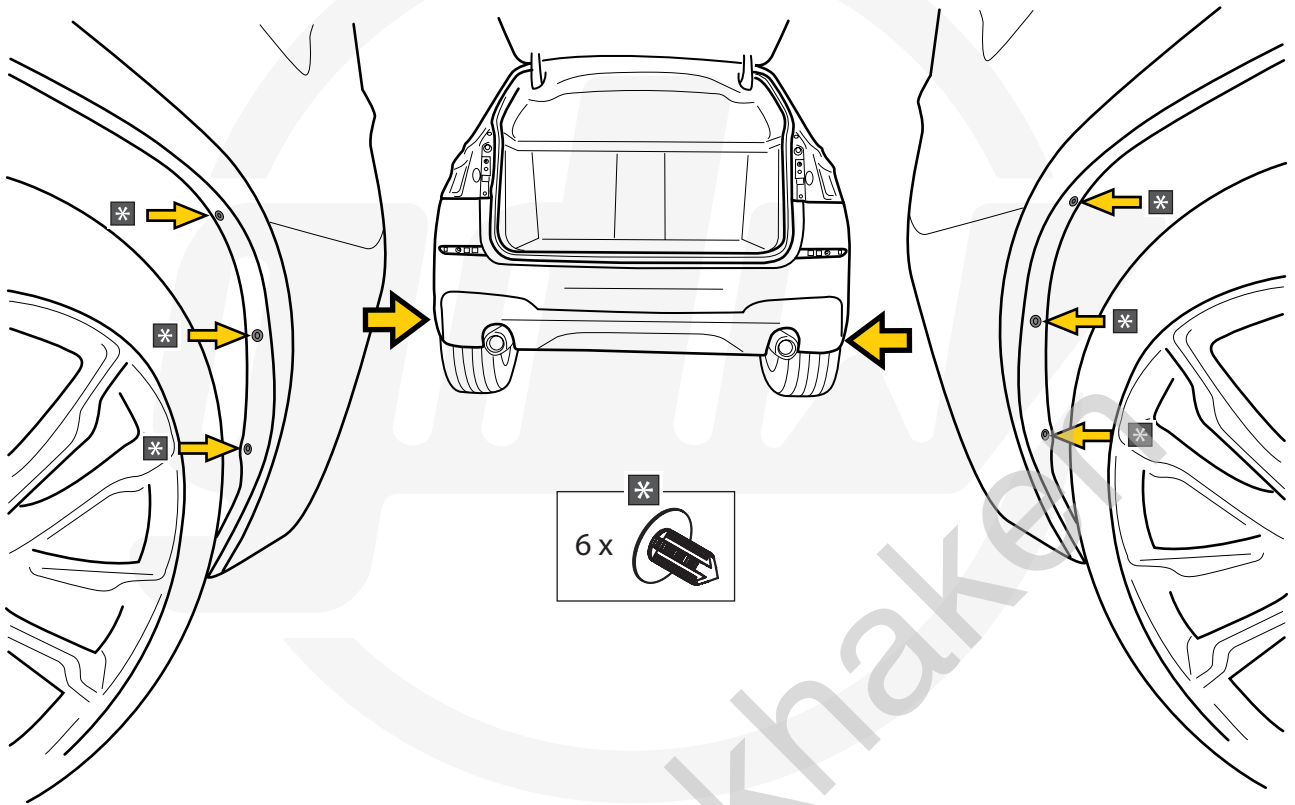
X3 (TYPE G01) + iX3 (TYPE G08)



X3 (TYPE F25) & X4 (TYPE F26)



X3 (TYPE G01) + iX3 (TYPE G08)



X3 (TYPE F25) & X4 (TYPE F26)

X3 (TYPE G01) + iX3 (TYPE G08)

