



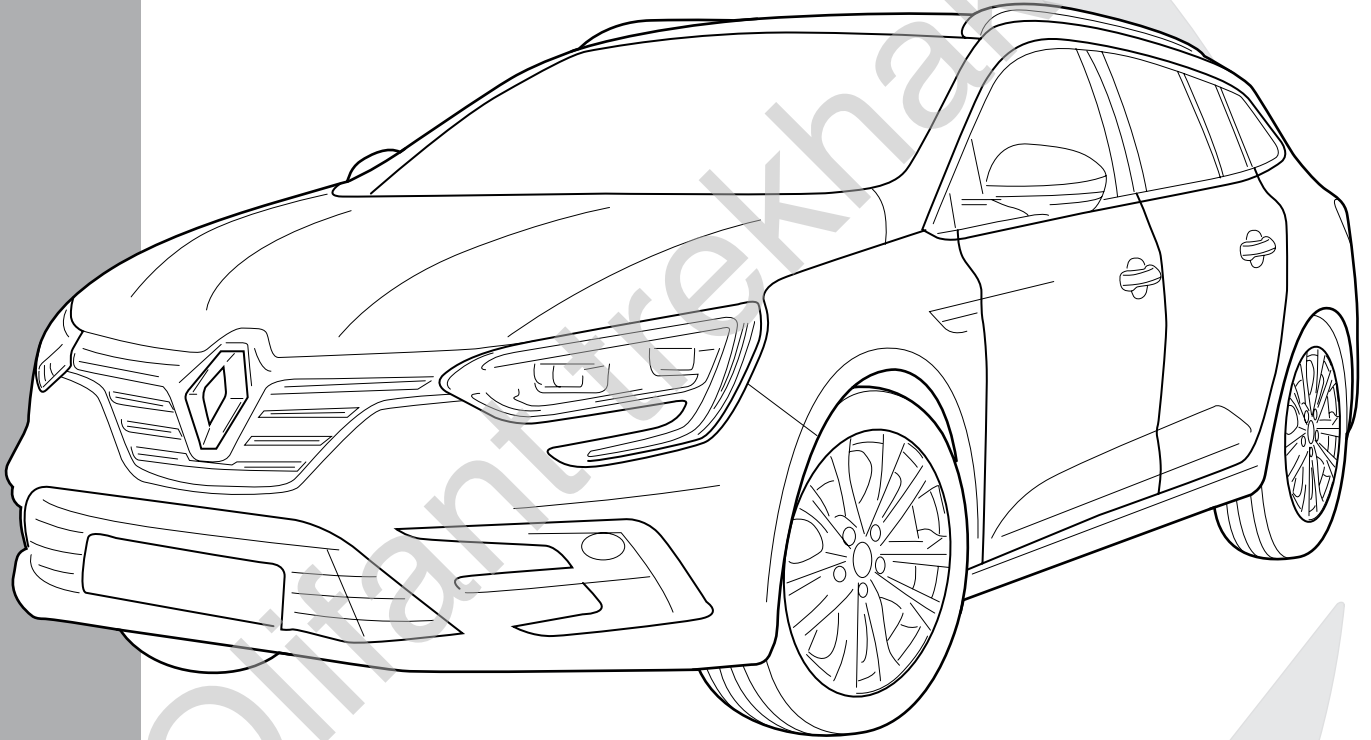
TREKHAKEN • ATTELAGES • ANHÄNGERVORRICHTUNGEN • TOWBARS • ENHANCES • ANHÆNGERTRÆK

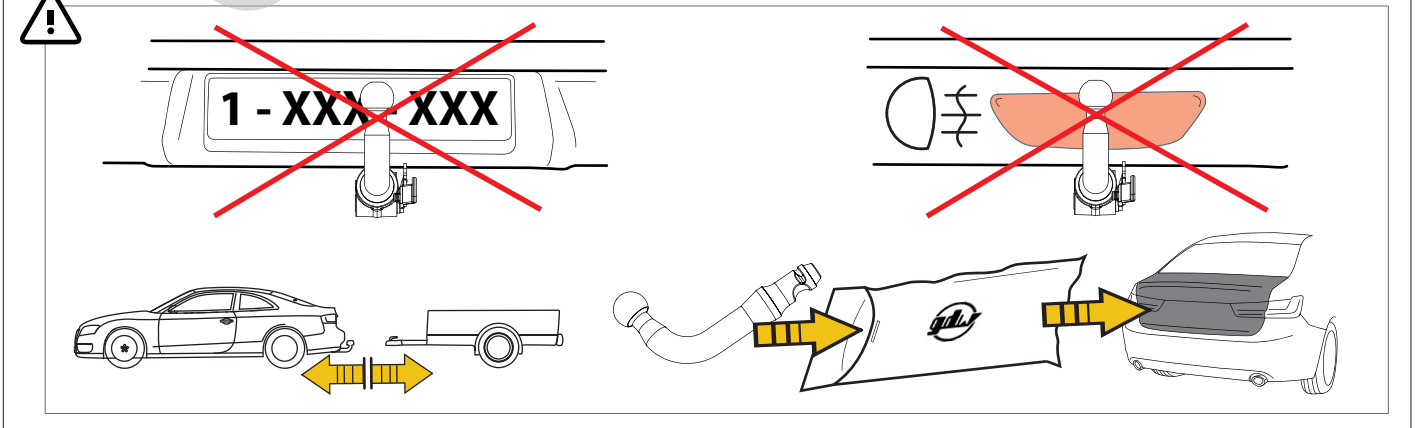
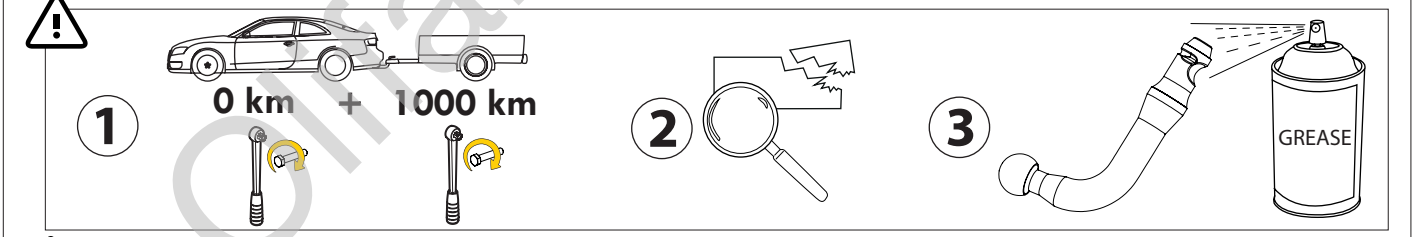
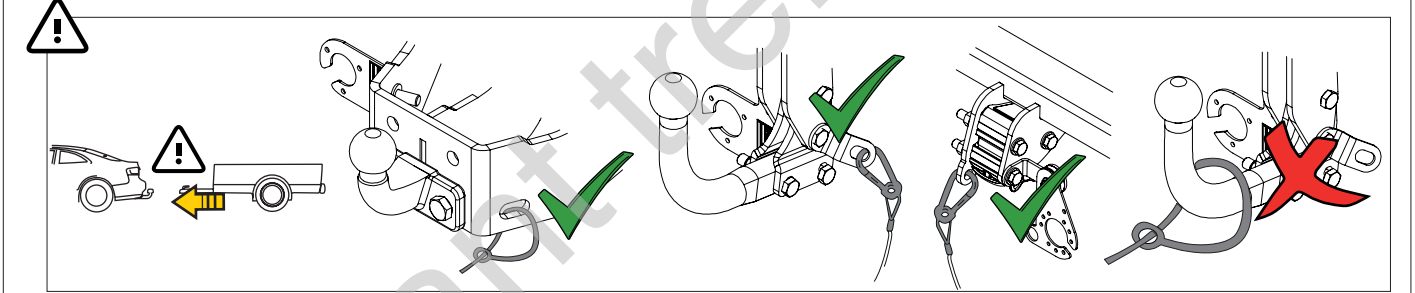
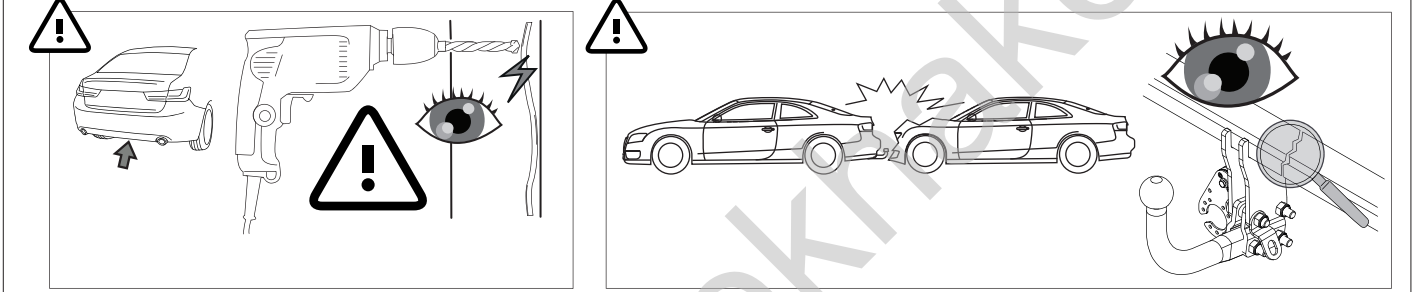
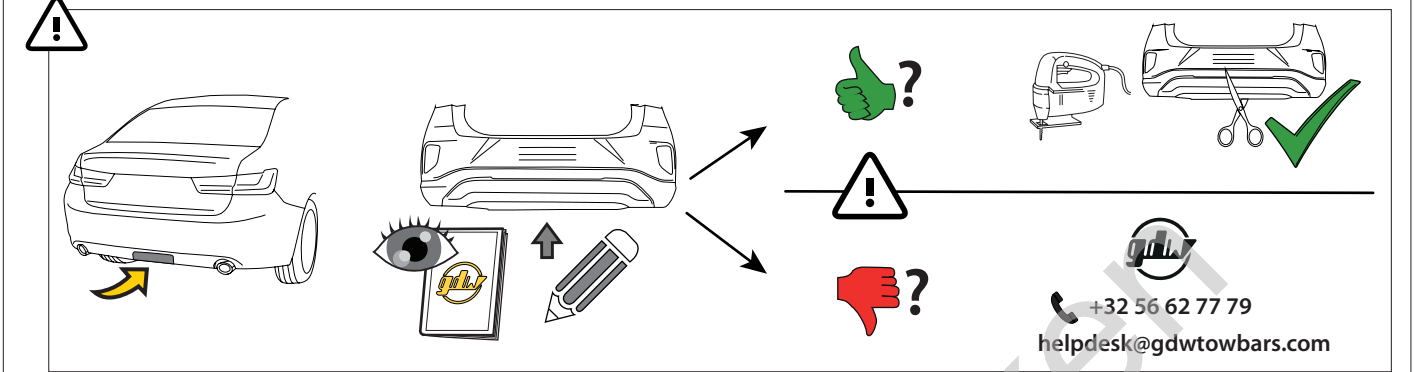
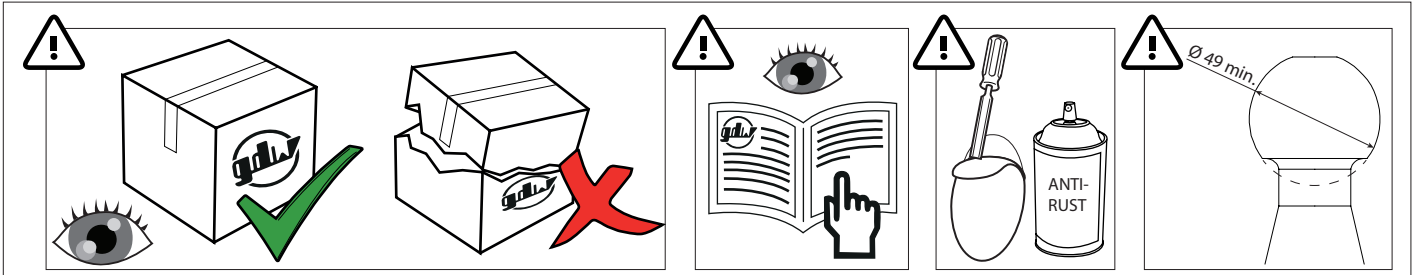
Montagehandleiding | instructions de montage | Einbauanleitung | Mounting instruction
Instrucciones de montaje | monteringsvejledning






Renault Mégane Grandtour E-Tech

11/'20-





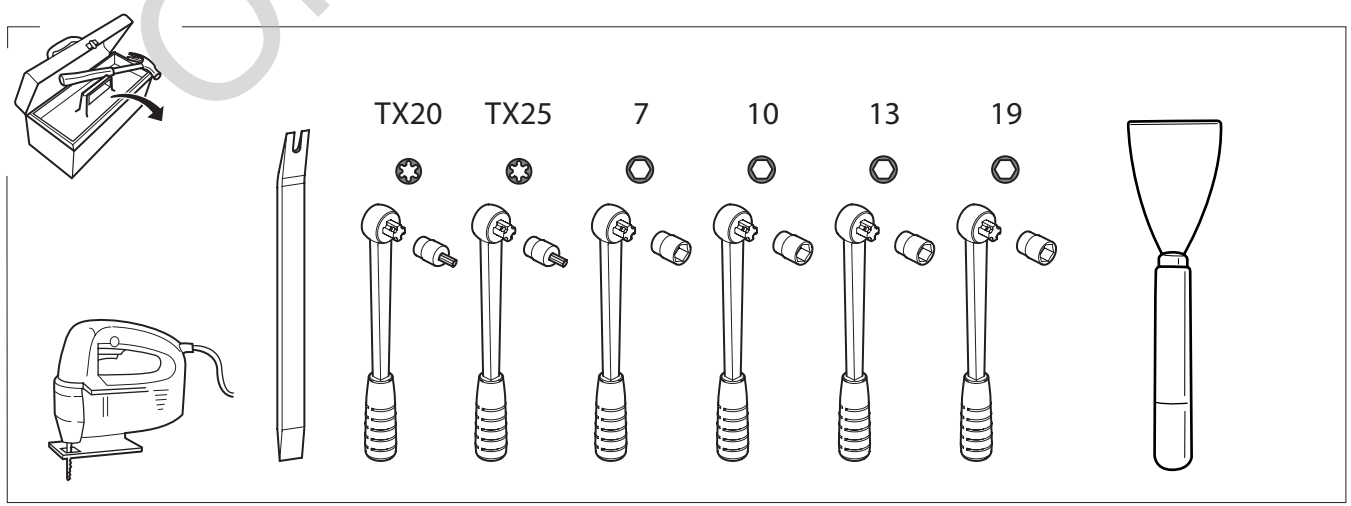
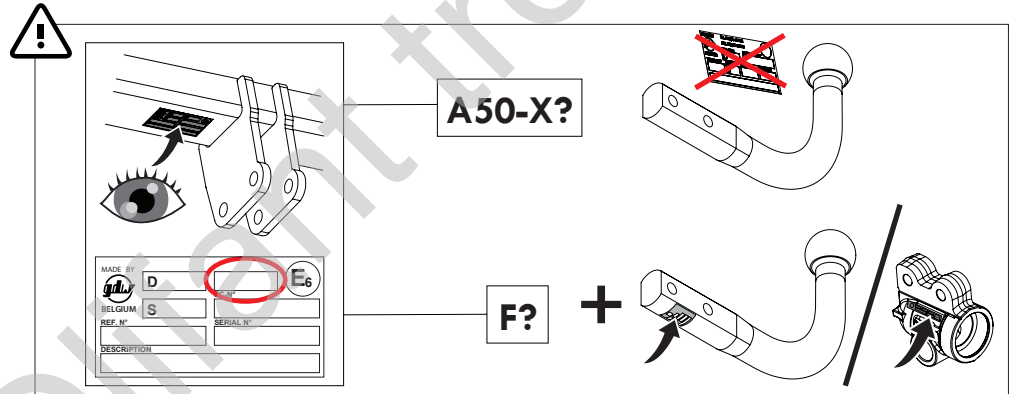
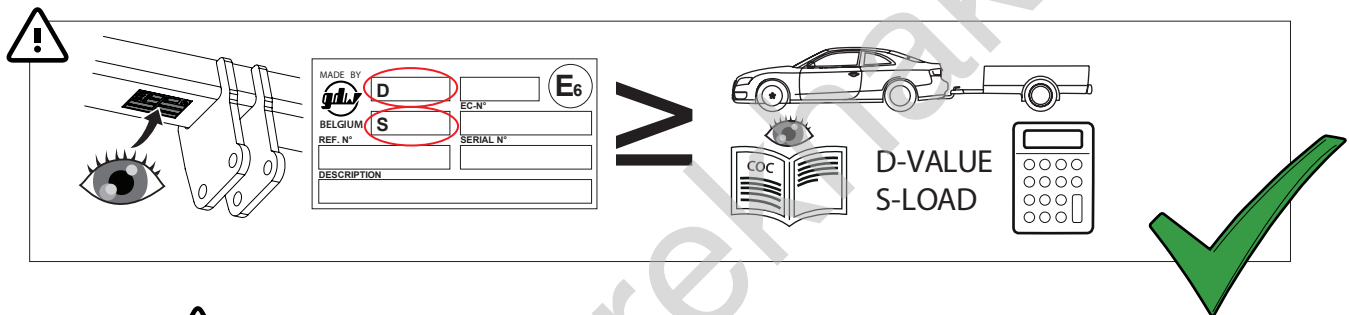
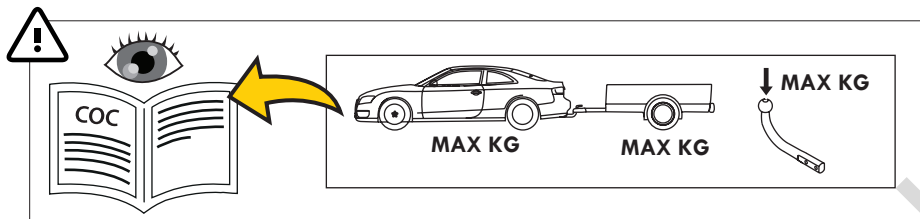
MADE BY 	D 6,70	F	E6
BELGIUM	S 75	EC-N° 55R - 02 1672	
REF N° 2584T60		SERIAL N° XXXX	
DESCRIPTION Renault Mégane Grandtour E-Tech 11/'20-			

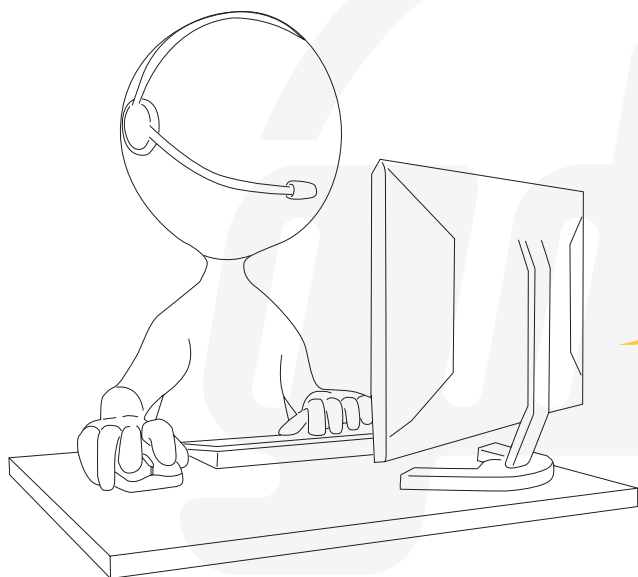
 

$$D = \frac{\text{max kg (car)} \times \text{max kg (trailer)}}{\text{max kg (car)} + \text{max kg (trailer)}} \times 0.00981 \leq 6,70 \text{ kN}$$

$$S = \begin{cases} \leq 75 \text{ kg} \\ \leq 1000 \text{ kg} \end{cases}$$

See the Certificate Of Conformity (COC) of your vehicle or contact your dealer to verify the max. trailer weight of your car!

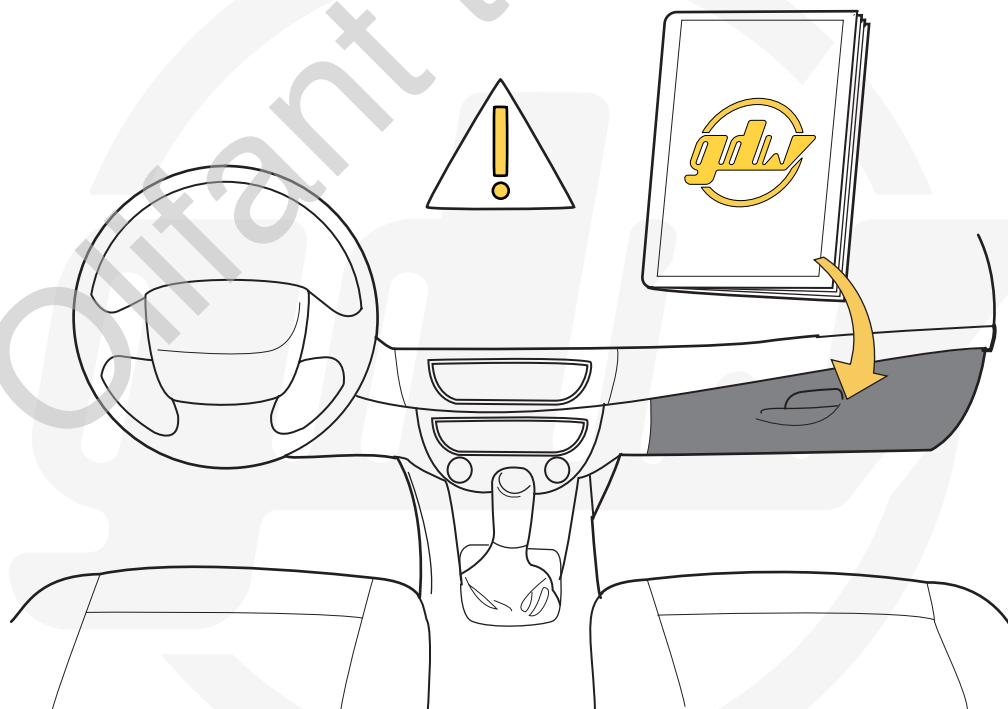


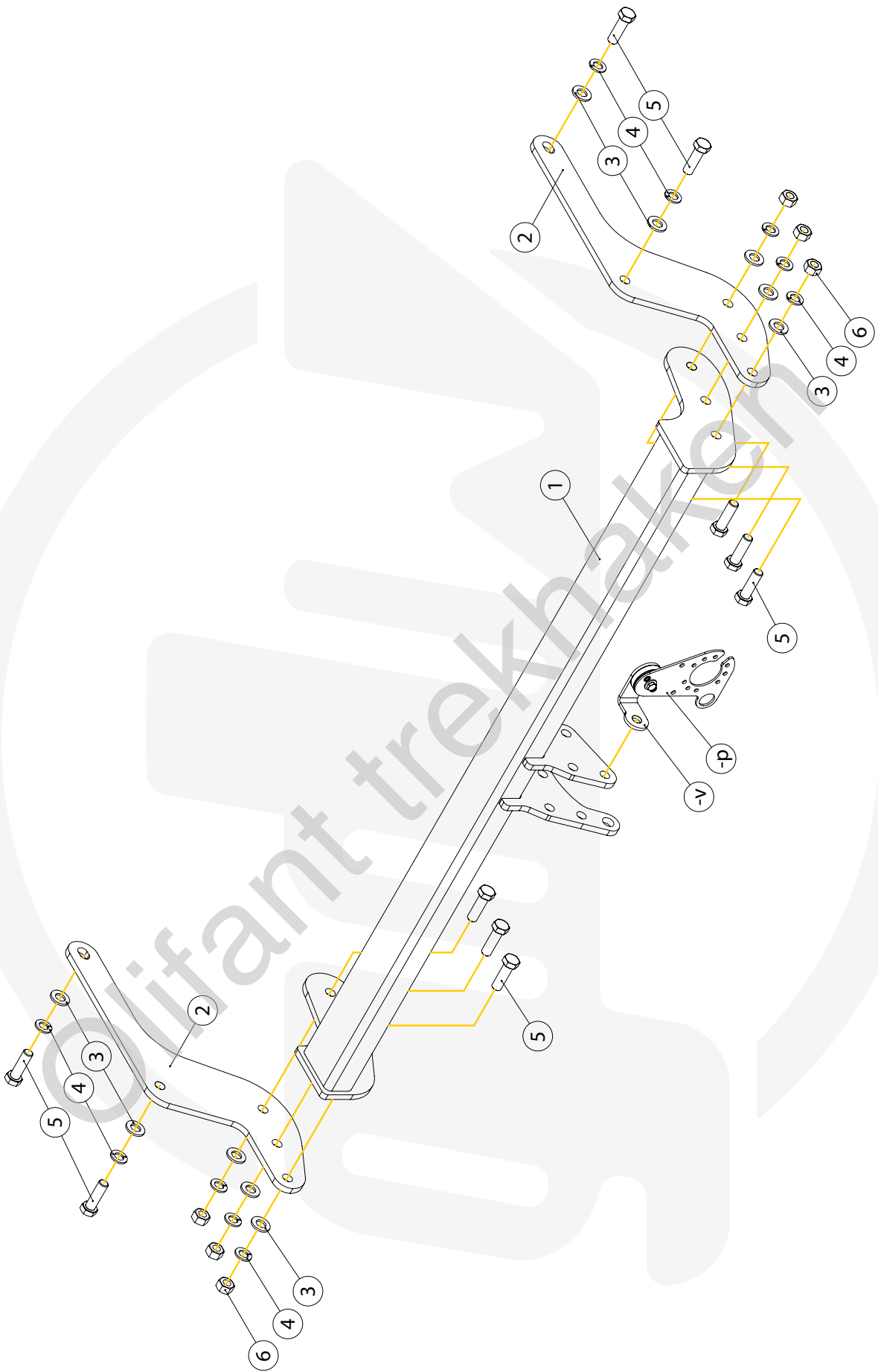


helpdesk@gdwtowbars.com

+32 56 62 77 79

Monday	08:00 - 12:00	12:30 - 16:30
Tuesday	08:00 - 12:00	12:30 - 16:30
Wednesday	08:00 - 12:00	12:30 - 16:30
Thursday	08:00 - 12:00	12:30 - 16:30
Friday	08:00 - 12:00	12:30 - 15:30



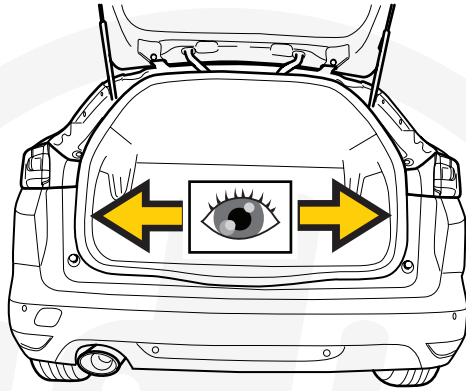


1		X1	GDW REF. 2584T60
2		X2	GDW REF. 2
3		X10	DIN125-M12-140HV-ELVZ
4		X10	DIN128A-M12
5		X10	DIN933-M12x40
6		X6	DIN934-M12

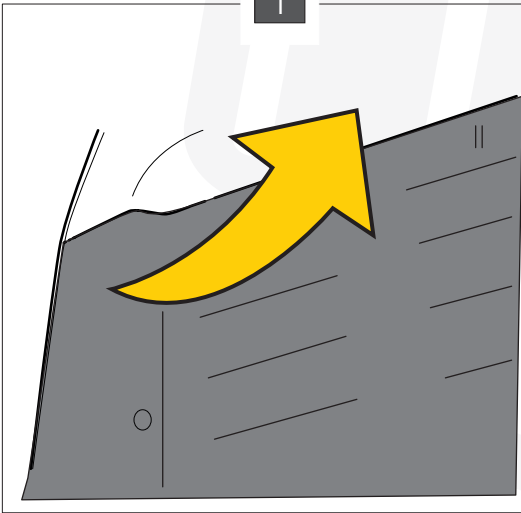
-P		X1	GDW REF. P46
↑		X1	DIN985-M6
↑		X2	6,2 X 15,4 X 1,6 (NYLON)
↑		X1	GDW REF. 718.16.002
↑		X1	GDW REF. 718.16.003
↑		X1	GDW REF. 908.094
↑		X1	DIN933-M6 X 30
↑		X1	GDW REF. 908.101

Geleverd met - Livré avec - Delivered with Geliefert mit - Elementos adjuntos-Leveres med	X1	GDW REF. 960.V1012
↑	X1	GDW REF. 740.200
↑	X1	GDW REF. 912.003
↑	X1	GDW REF. 740.112
↑	X1	GDW REF. 740.111
↑	X1	GDW REF. 740.12X X= LAST NUMBER ON KEY
↑	X1	GDW REF. 718.15.001
↑	X1	GDW REF. SYST60-10
↑	X3	DIN931-M12X110-8.8
↑	X3	DIN128A-M12
↑	X6	DIN125A-M12
↑	X3	DIN934-M12

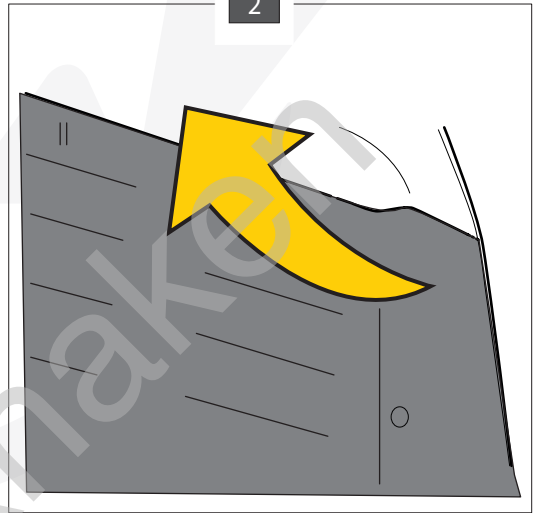
1



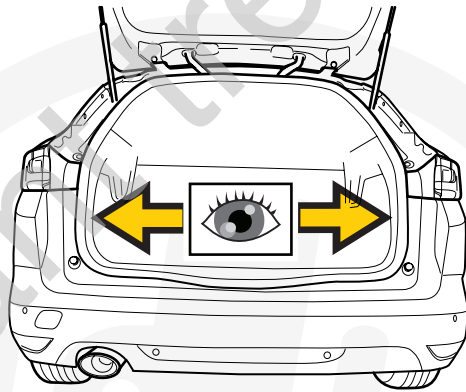
1



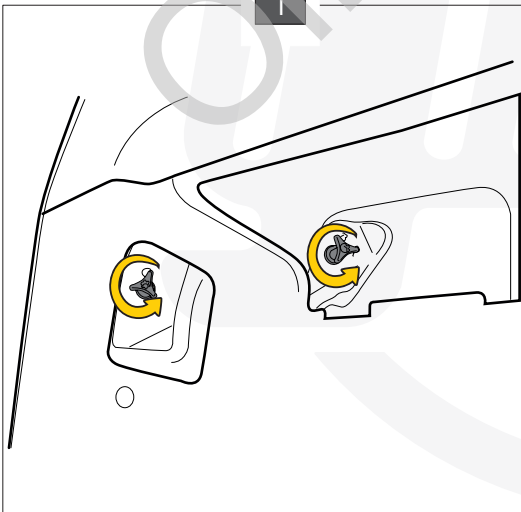
2



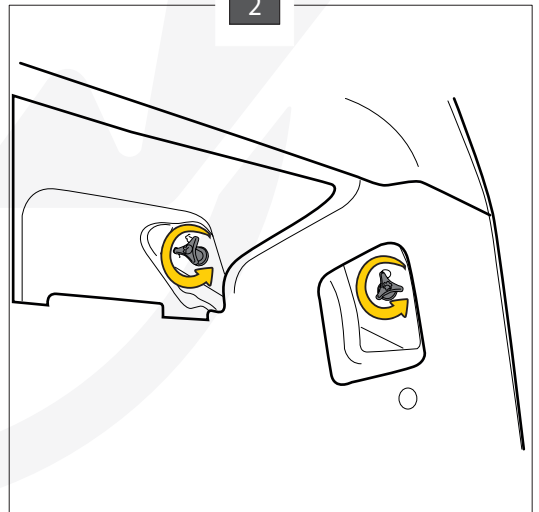
2

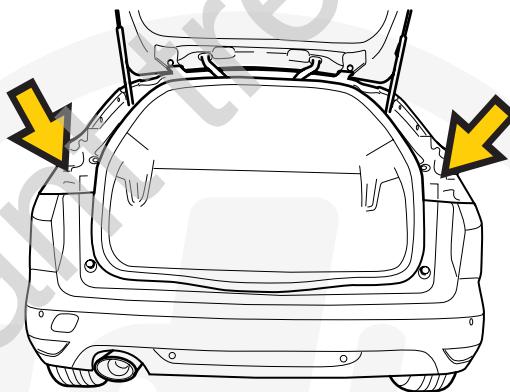
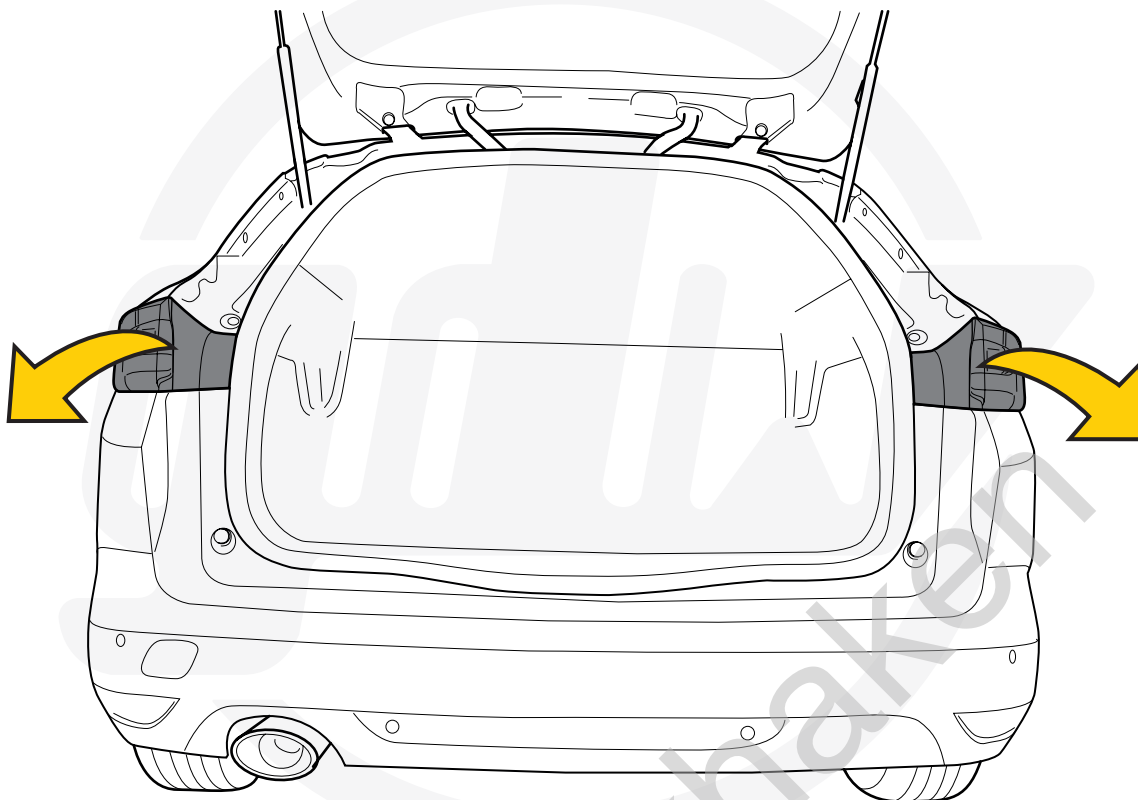


1

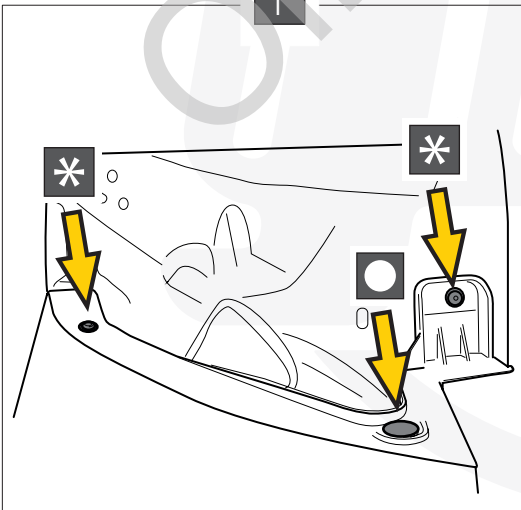


2

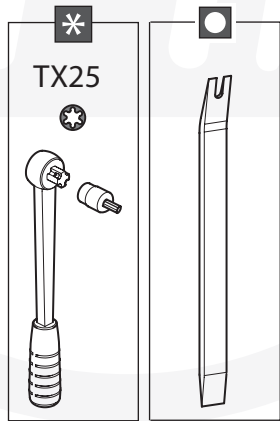
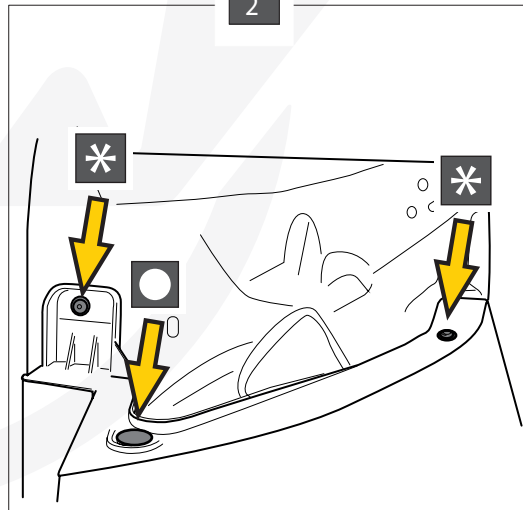




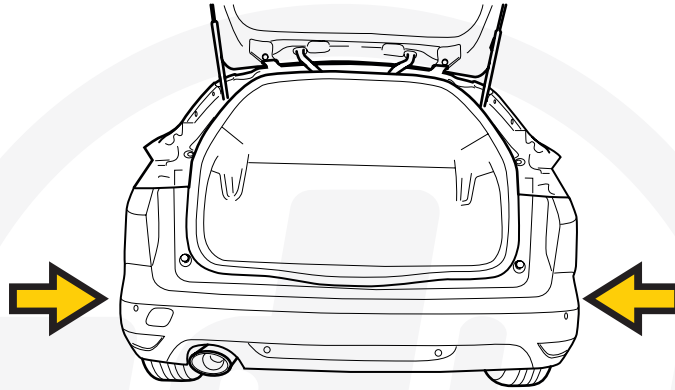
1



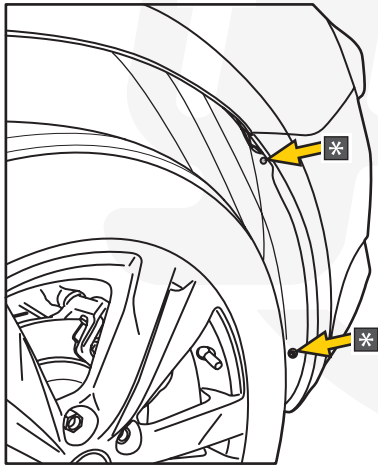
2



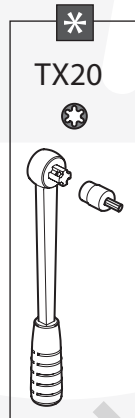
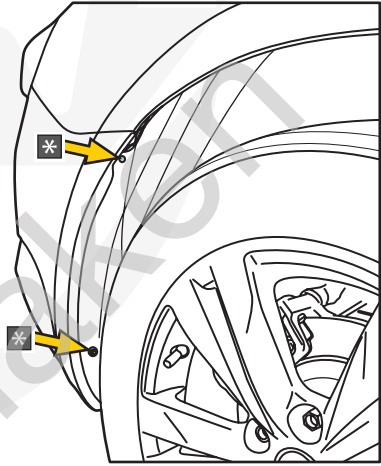
5



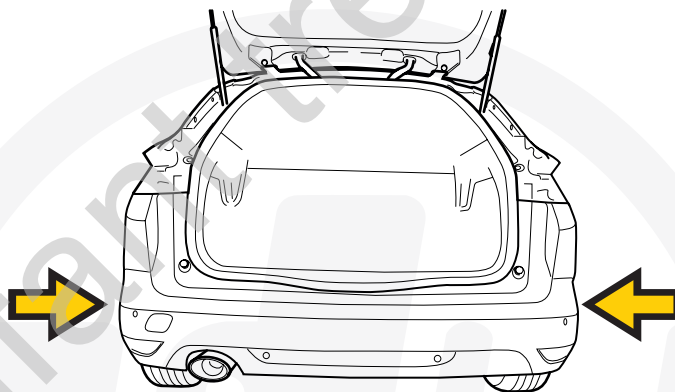
1



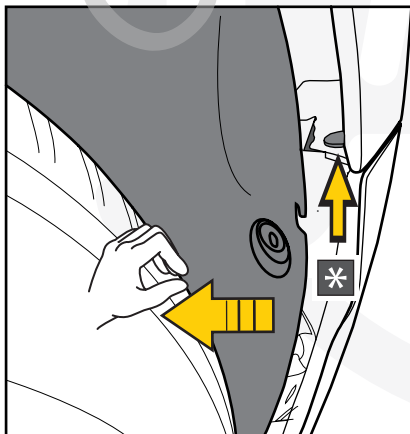
2



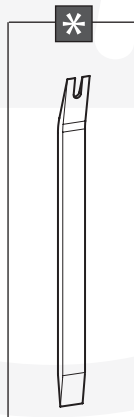
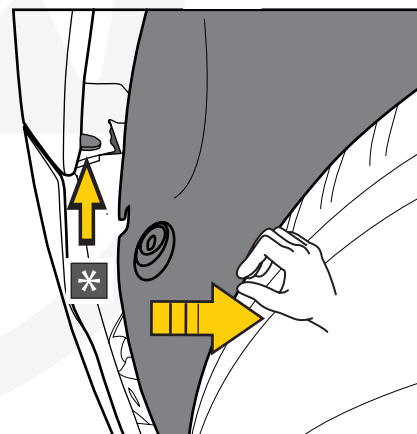
6

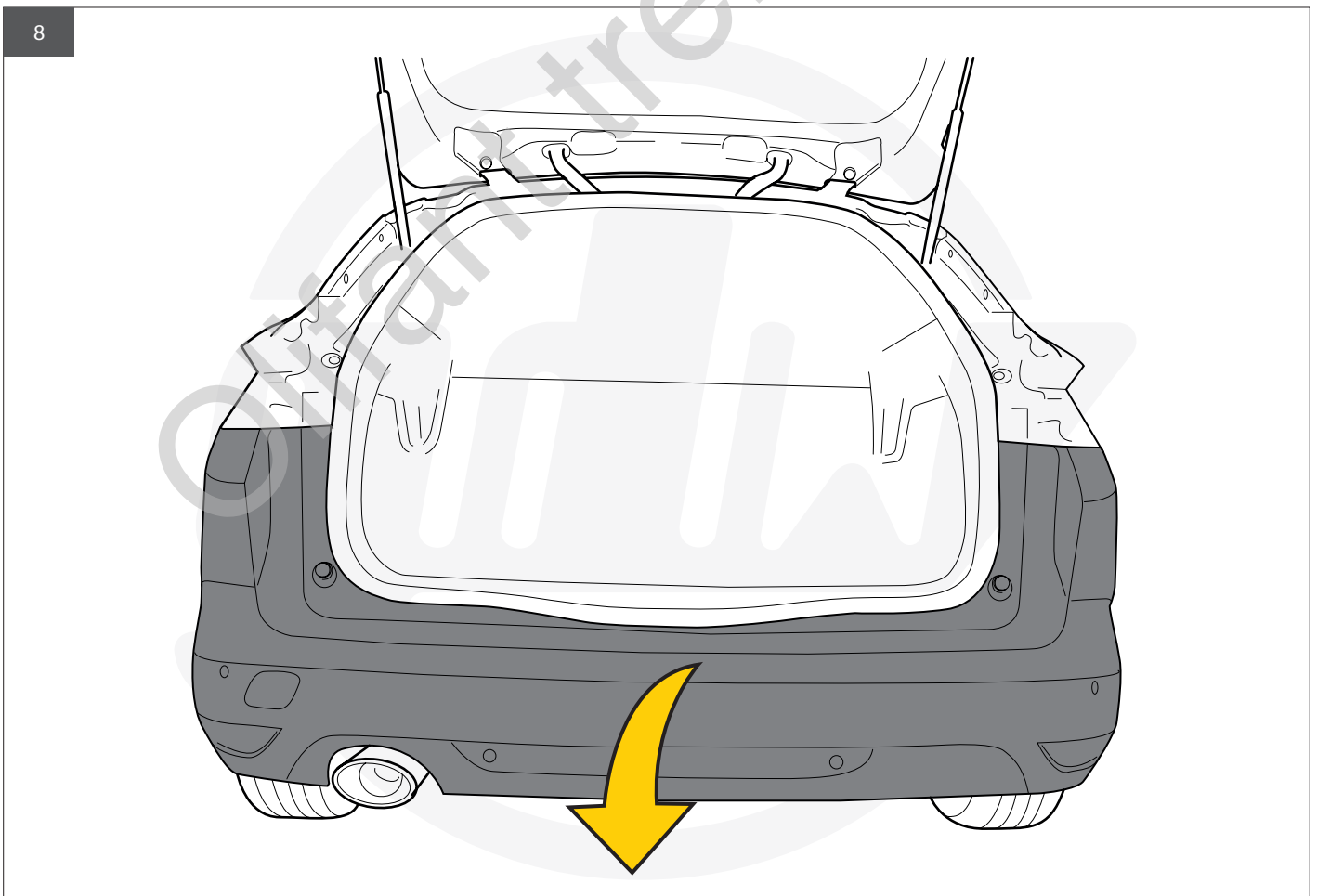
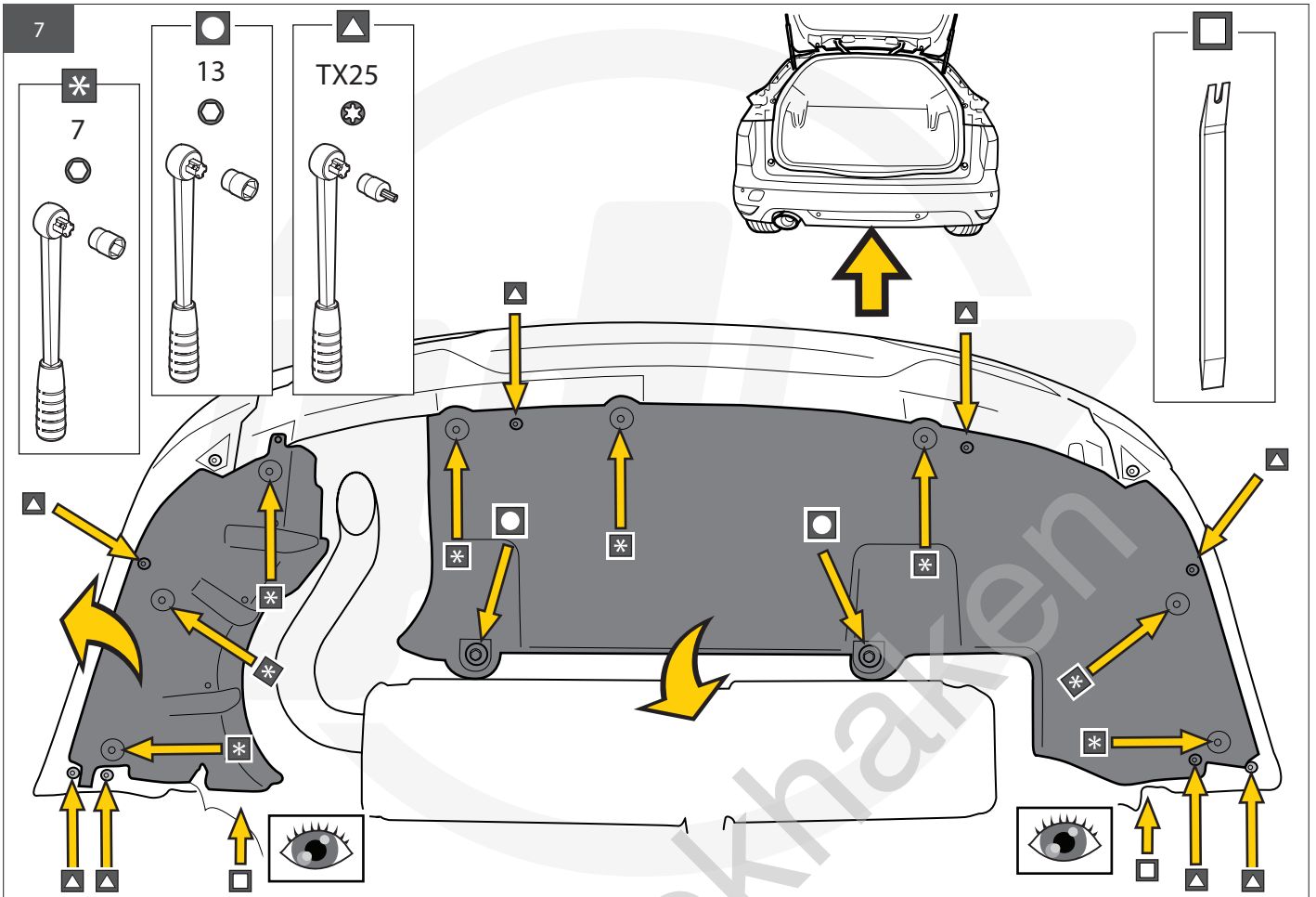


1

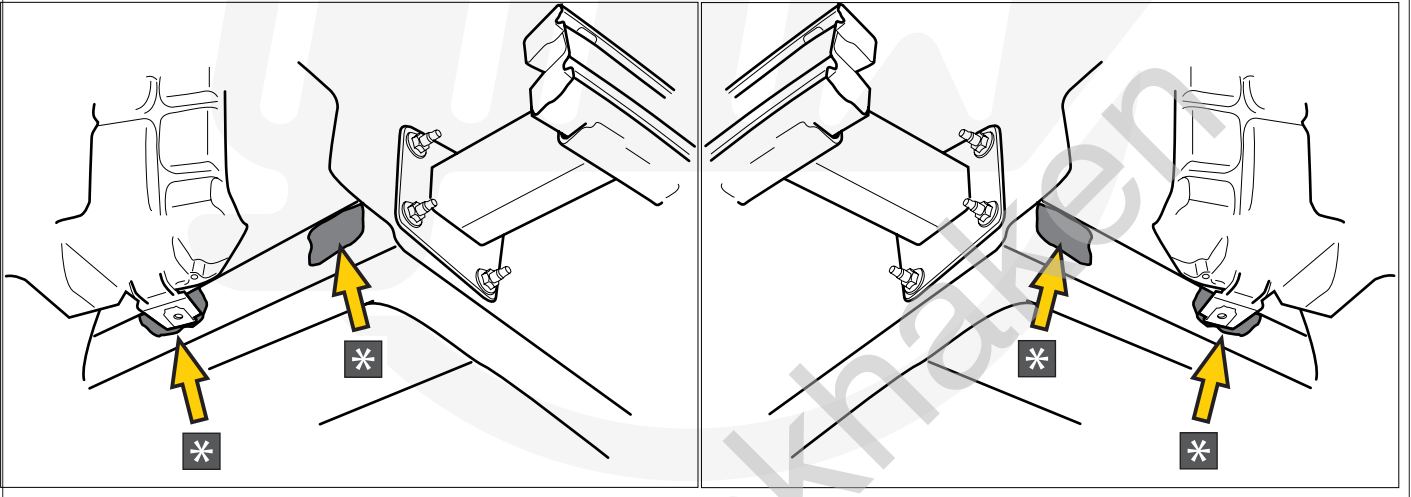
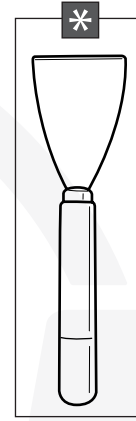
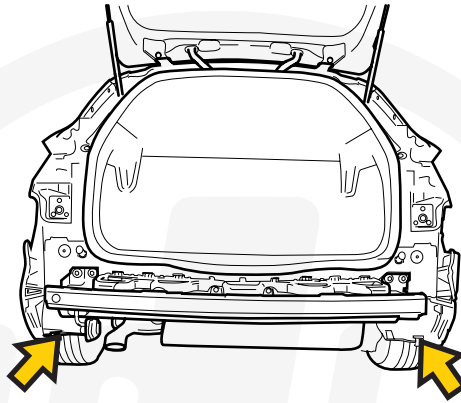


2

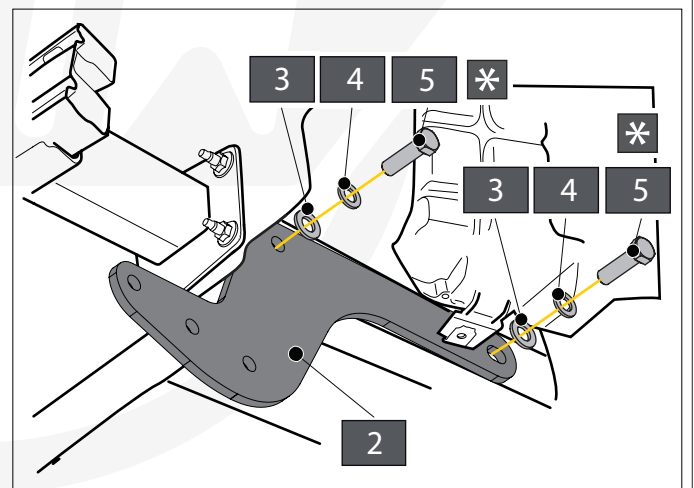
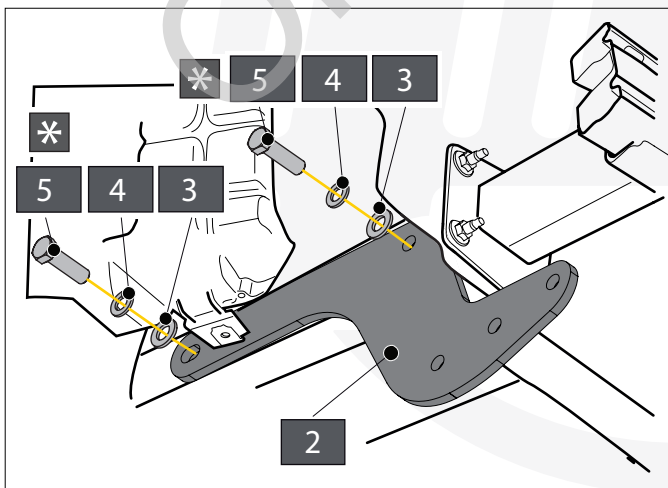
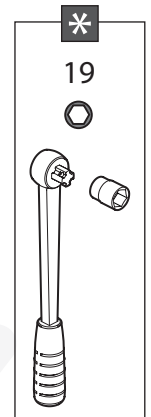
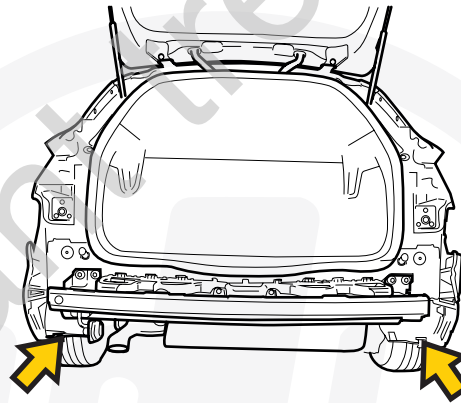


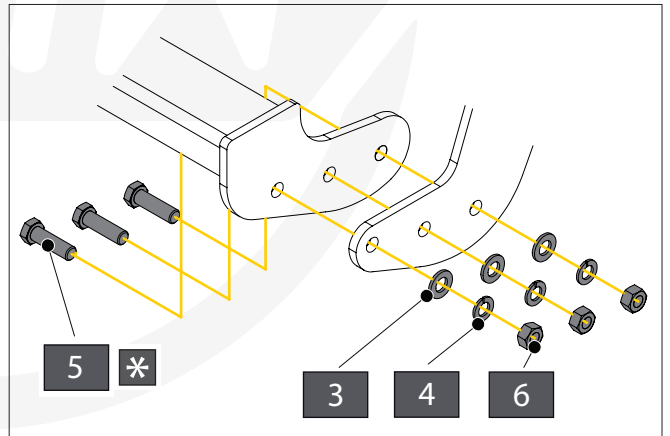
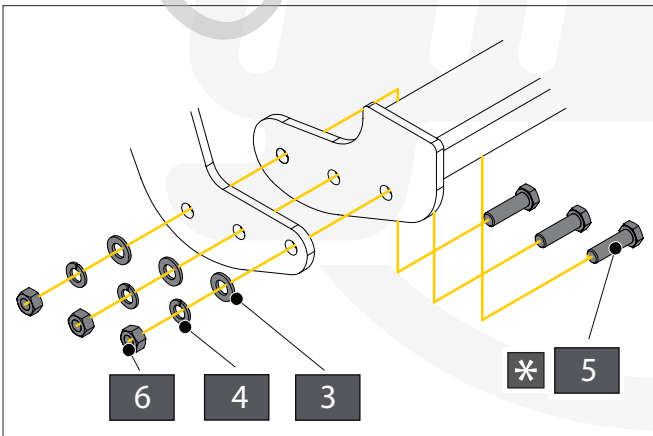
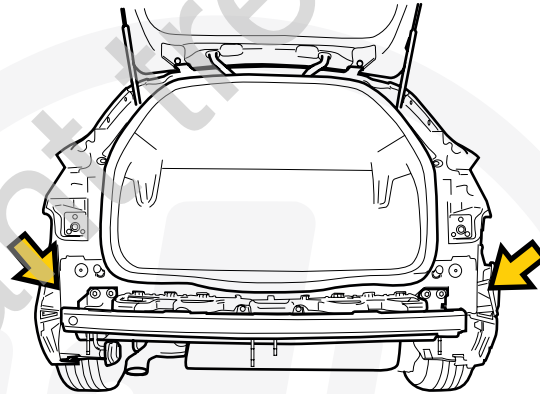
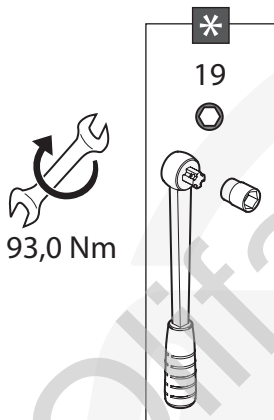
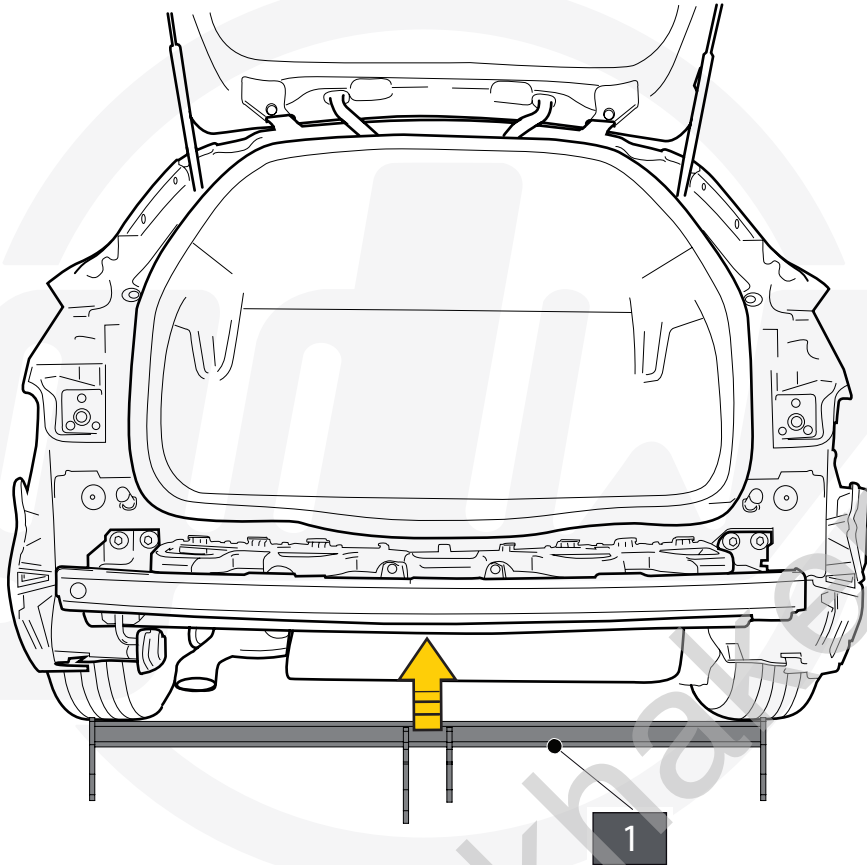


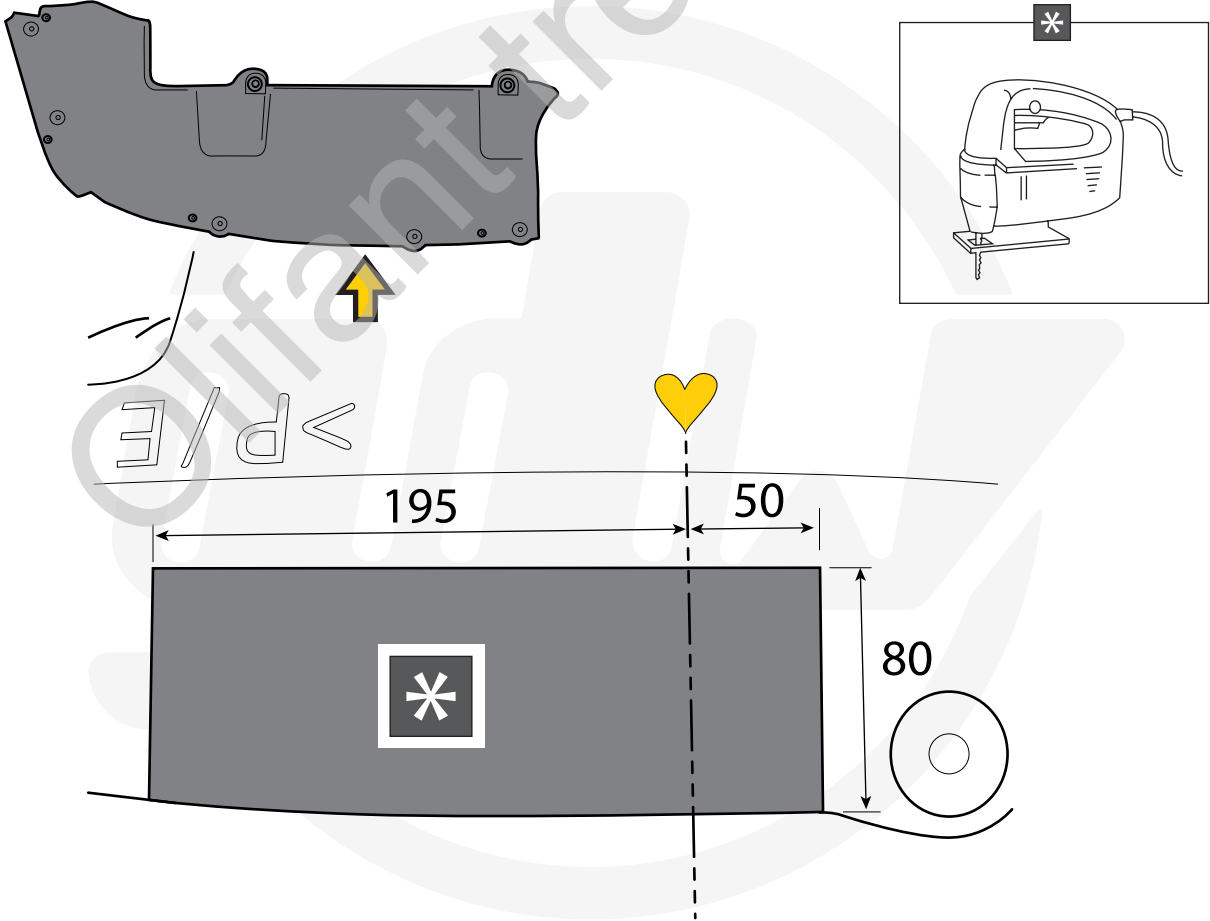
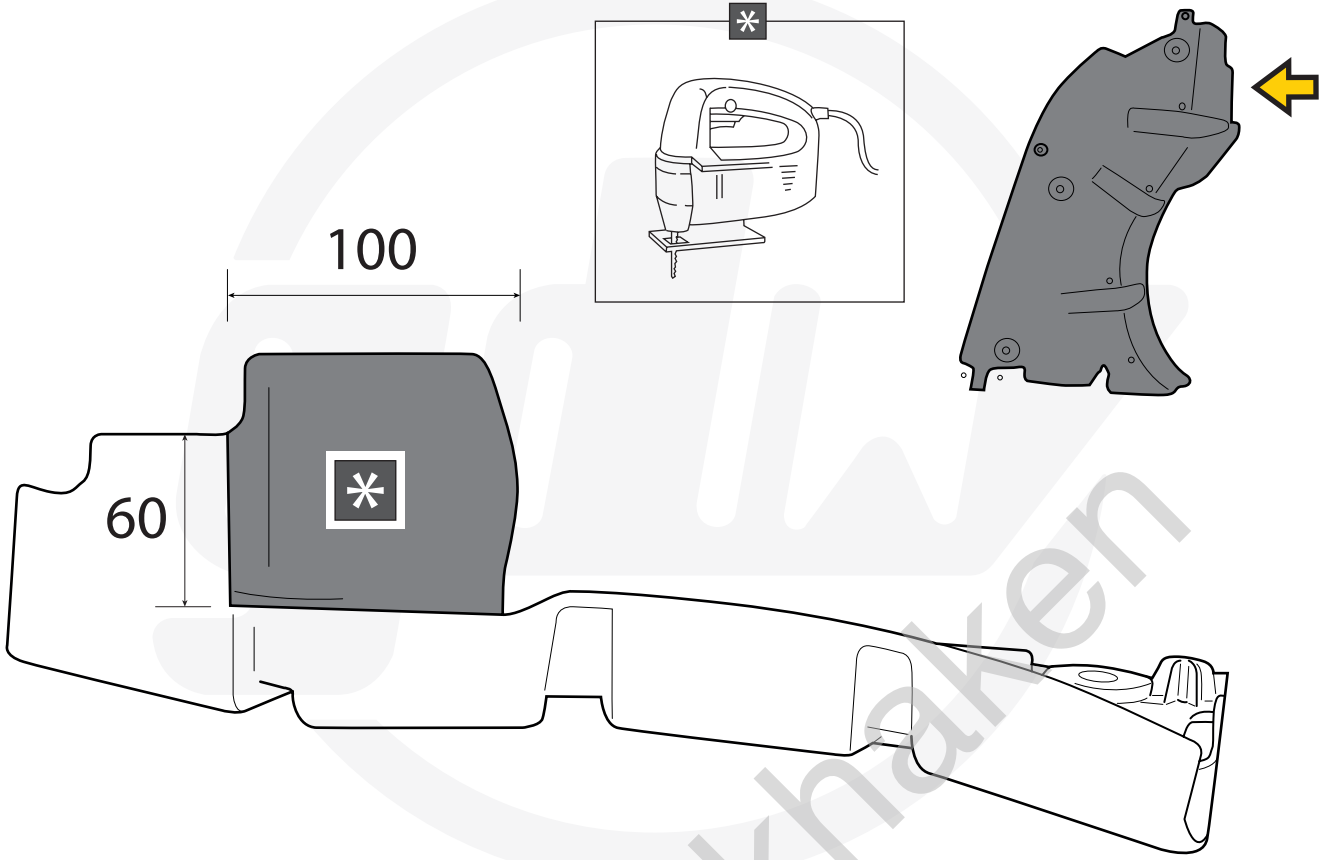
9



10







A		X1	GDW REF. 908.101
B		X1	DIN985-M6
C		X2	6,2 X 15,4 X 1,6 (NYLON)
D		X1	GDW REF. 718.16.002
E		X1	GDW REF. 718.16.003
F		X1	GDW REF. 908.094
G		X1	DIN933-M6 X 30

A		X1	GDW REF. 912.003
B		X3	DIN931-M12X110-8.8
C		X3	DIN128A-M12
D		X6	DIN125A-M12
E		X3	DIN934-M12

