



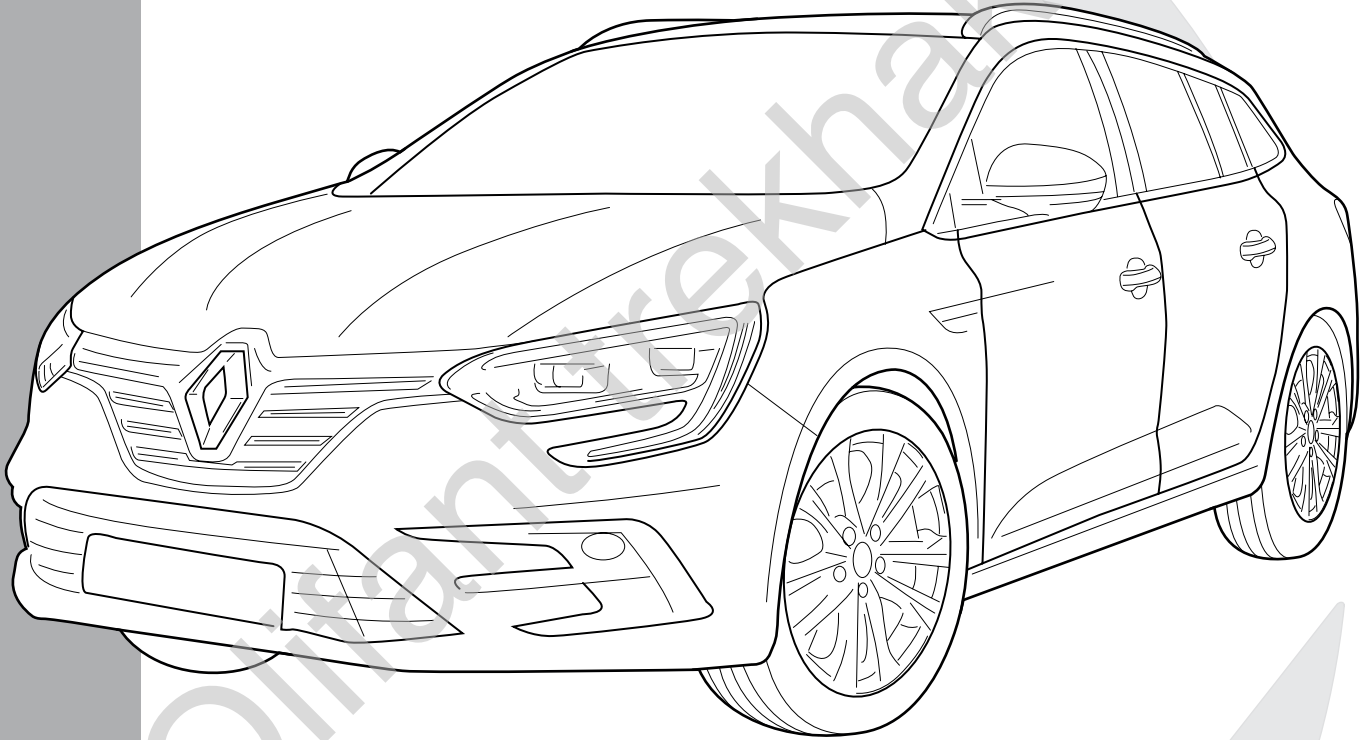
TREKHAKEN • ATTELAGES • ANHÄNGERVORRICHTUNGEN • TOWBARS • ENHANCES • ANHÆNGERTRÆK

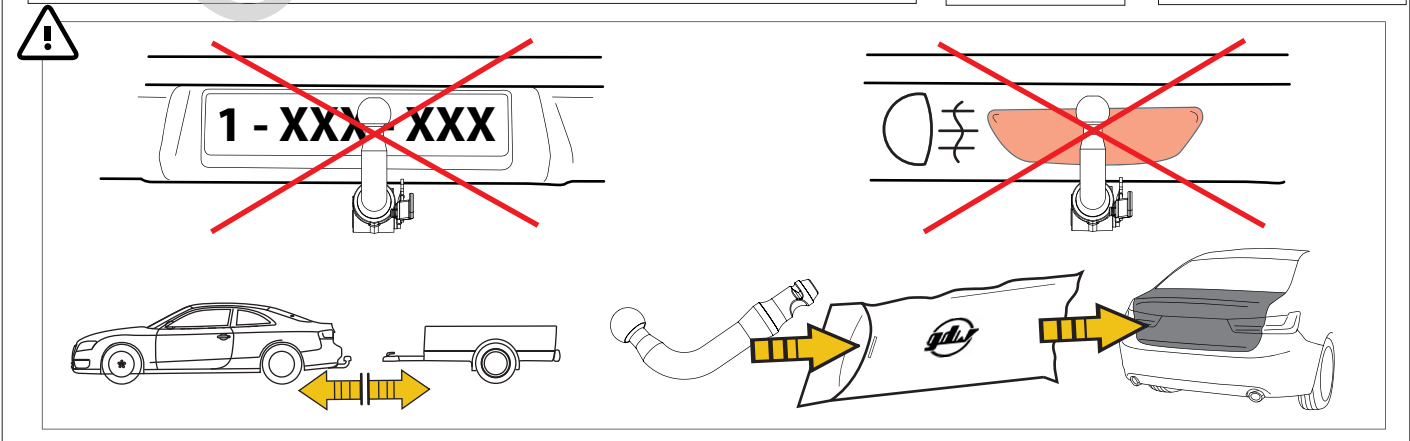
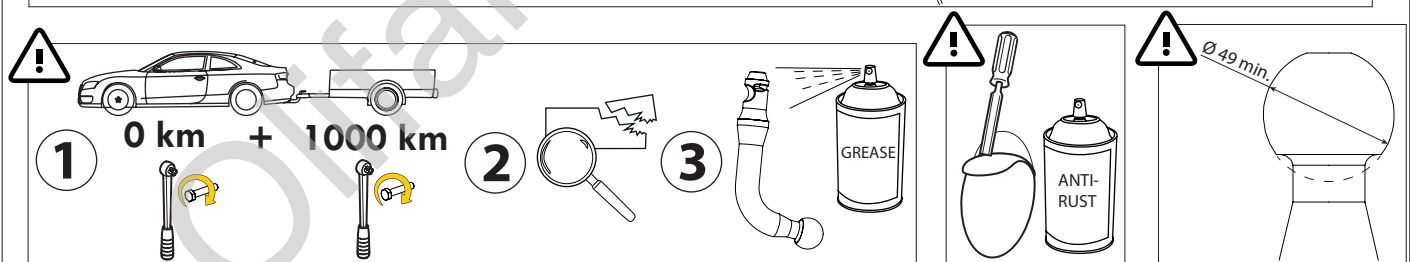
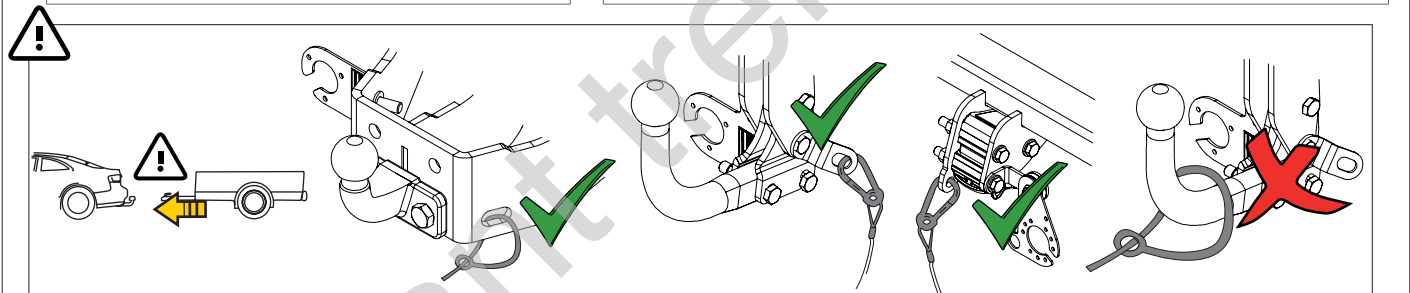
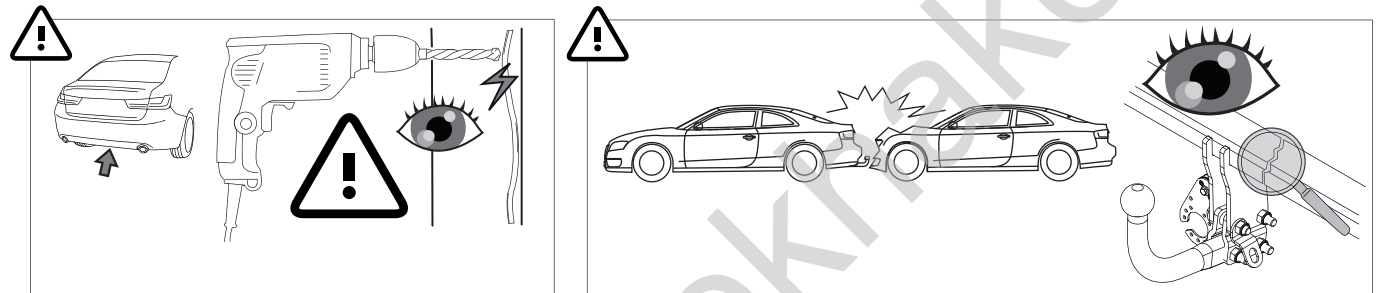
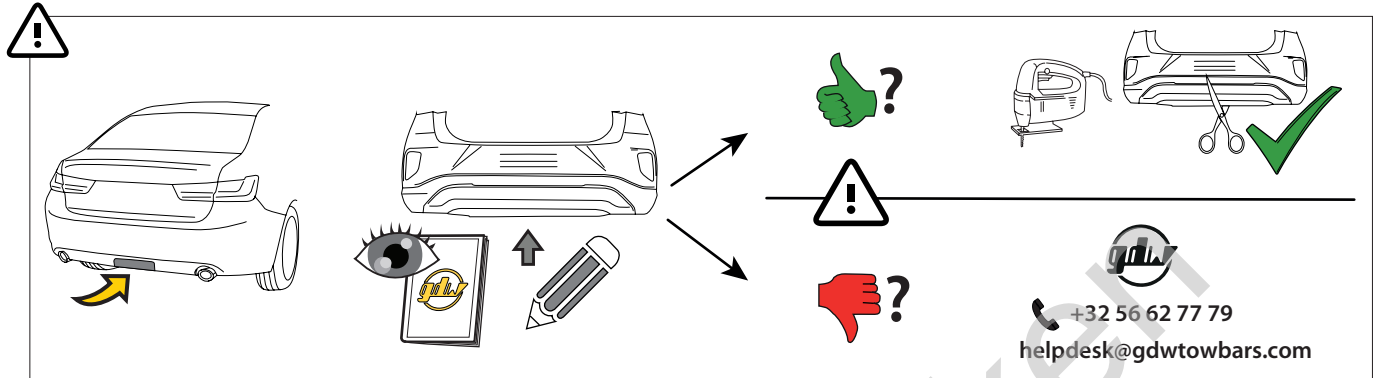
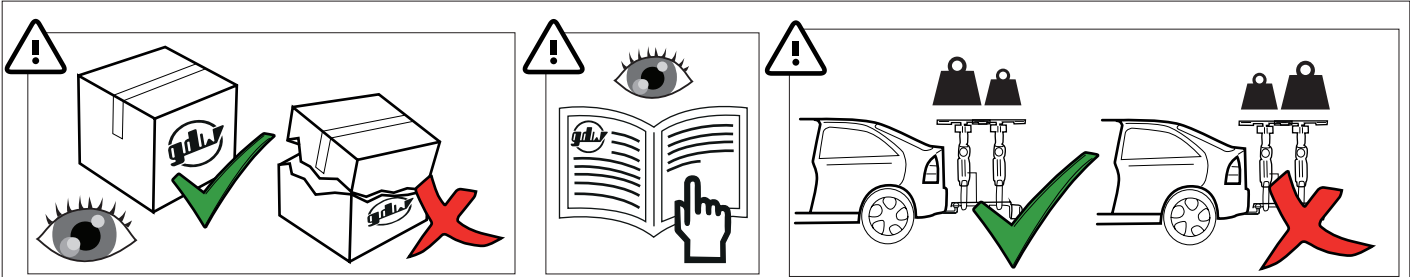
Montagehandleiding | instructions de montage | Einbauanleitung | Mounting instruction  
Instrucciones de montaje | monteringsvejledning





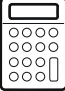
# Renault Mégane Grandtour E-Tech

11/'20-





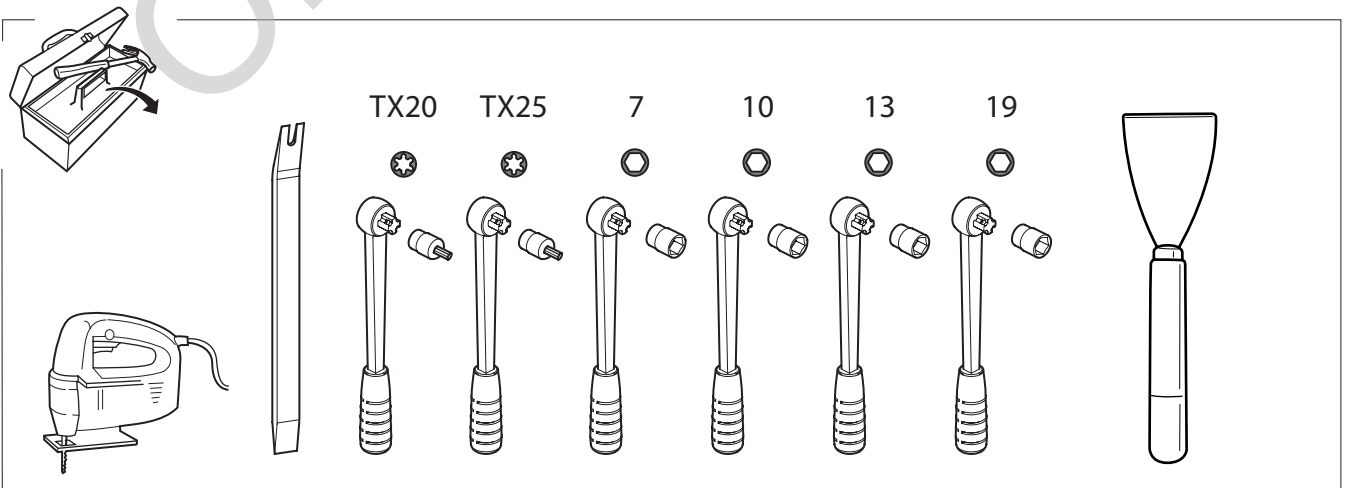
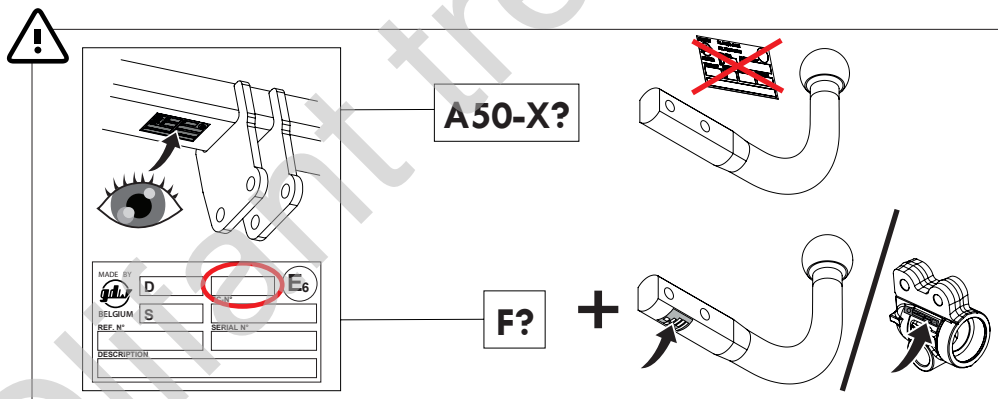
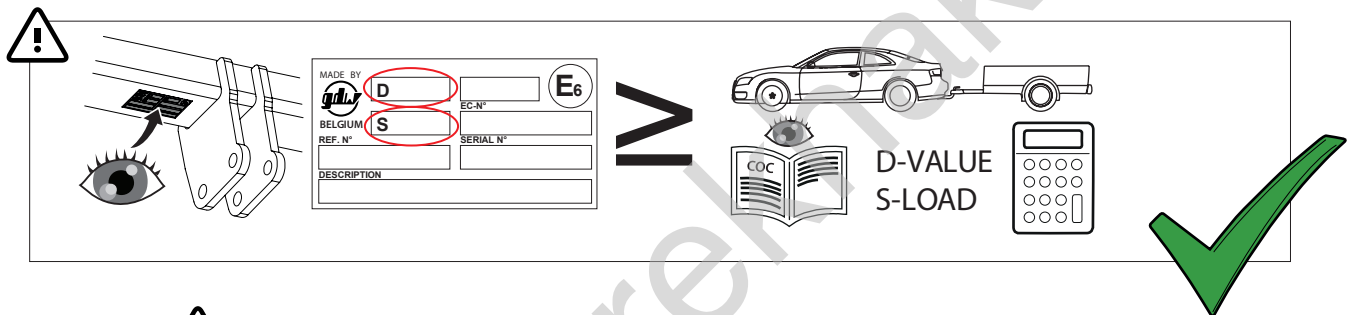
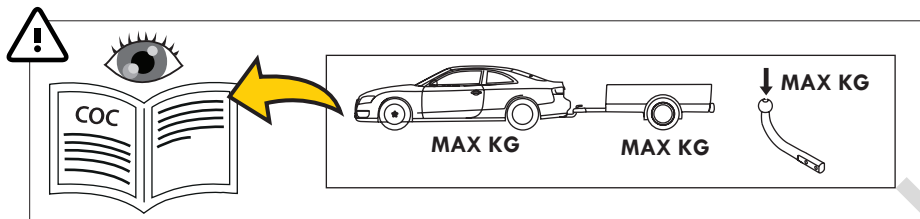
MADE BY 	<b>D 6,70</b>	<b>F</b>	<b>E6</b>
BELGIUM	<b>S 75</b>	EC-N° 55R - 02 1672	
REF N° 2583		SERIAL N° XXXX	
<b>DESCRIPTION</b> Renault Mégane Grandtour E-Tech 11/'20-			

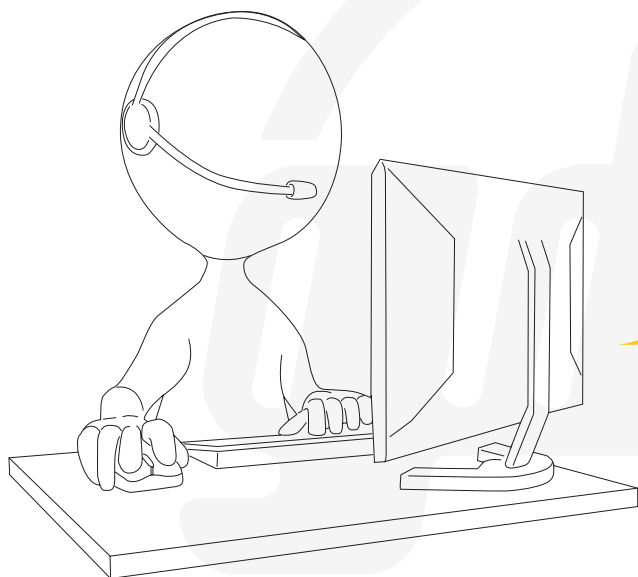
 

$$D = \frac{\text{max kg (car)} \times \text{max kg (trailer)}}{\text{max kg (car)} + \text{max kg (trailer)}} \times 0.00981 \leq 6,70 \text{ kN}$$

$$S = \begin{cases} \leq 75 \text{ kg} \\ \leq 1000 \text{ kg} \end{cases}$$

See the Certificate Of Conformity (COC) of your vehicle or contact your dealer to verify the max. trailer weight of your car!

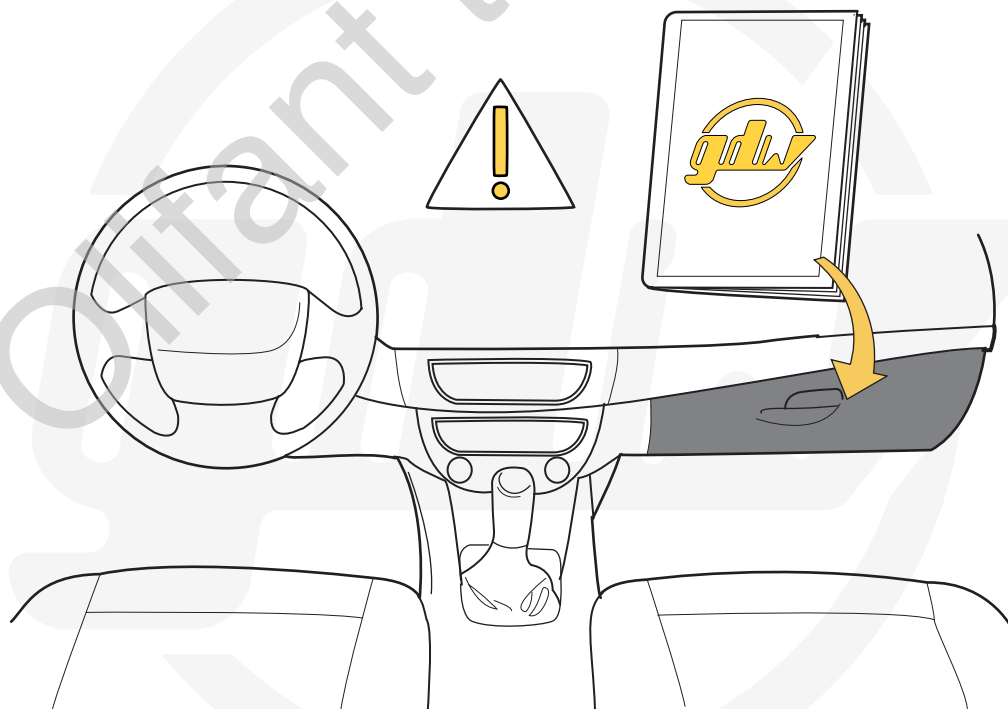


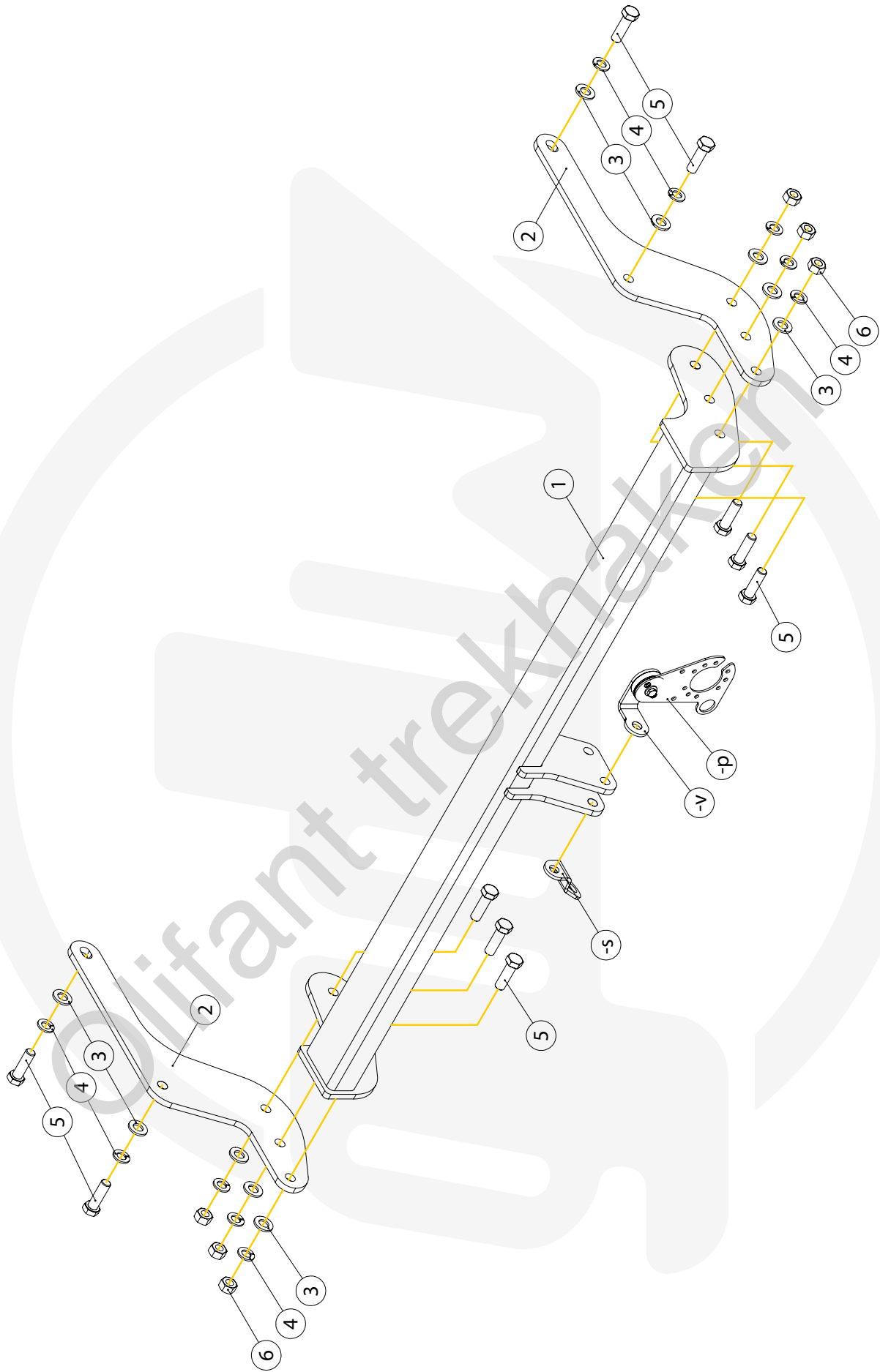


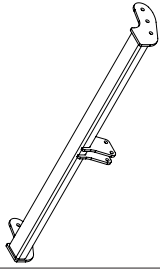
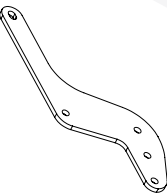





**helpdesk@gdwtowbars.com**

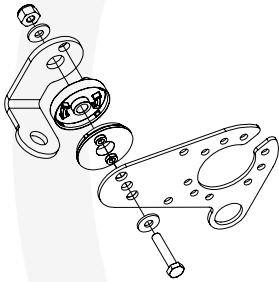




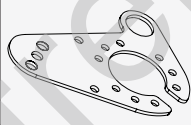


**+32 56 62 77 79**

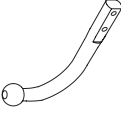
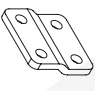



Monday	08:00 - 12:00	12:30 - 16:30
Tuesday	08:00 - 12:00	12:30 - 16:30
Wednesday	08:00 - 12:00	12:30 - 16:30
Thursday	08:00 - 12:00	12:30 - 16:30
Friday	08:00 - 12:00	12:30 - 15:30






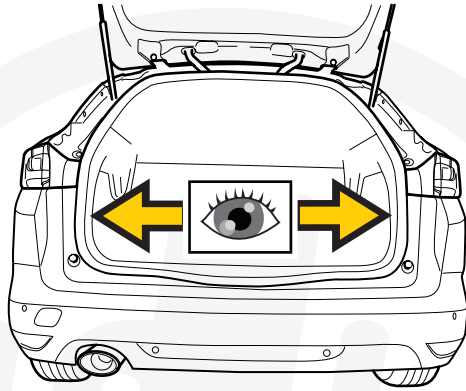
1		X1	GDW REF. 2583
2		X2	GDW REF. 2
3		X10	DIN125-A12-140HV- ELVZ
4		X10	DIN128A-M12
5		X10	DIN933-M12X40
6		X6	DIN934-M12
-S		X1	GDW REF. 900.053

-P		X1	GDW REF. P46
↑		X1	DIN985-M6
↑		X2	6,2 X 15,4 X 1,6 (NYLON)
↑		X1	GDW REF. 718.16.002
↑		X1	GDW REF. 718.16.003
↑		X1	GDW REF. 908.094
↑		X1	DIN933-M6 X 30
↑		X1	GDW REF. 908.101

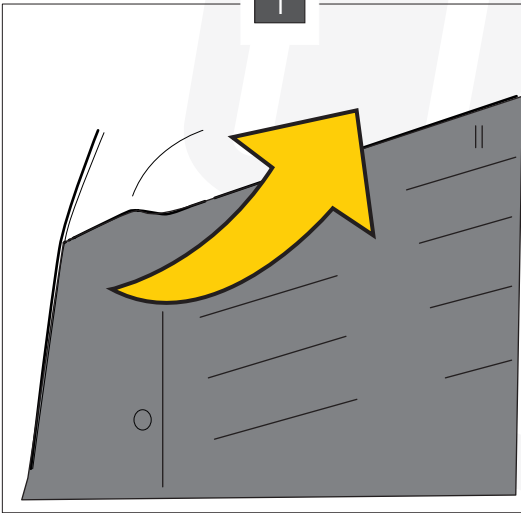
Geleverd met - Livré avec - Delivered with Geliefert mit - Elementos adjuntos-Leveres med		X1	944-L031
		X2	GDW REF. 900.008
		X2	GDW REF. 900.011 Ø 21.3 X 11.7
		X4	DIN931-M12 X 70
		X4	DIN985-M12

<b>OPTION T36</b>		
	X1	KITT36-2583

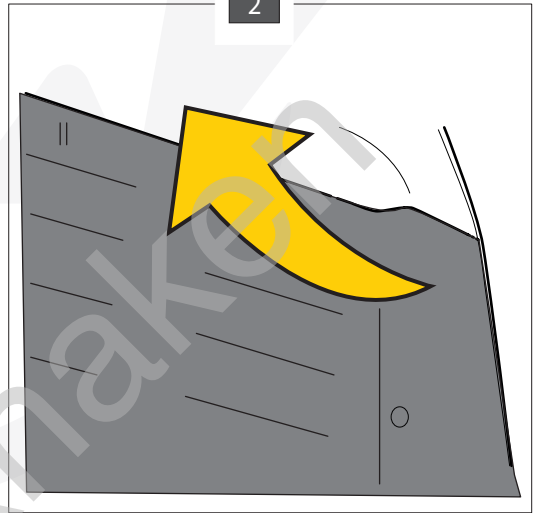
1



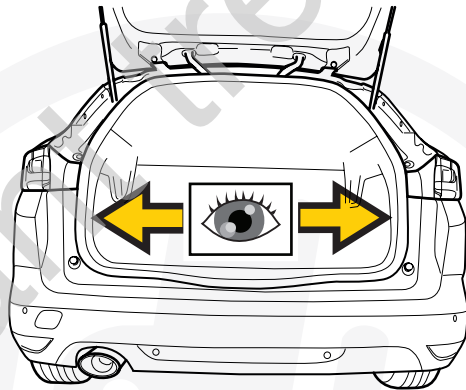
1



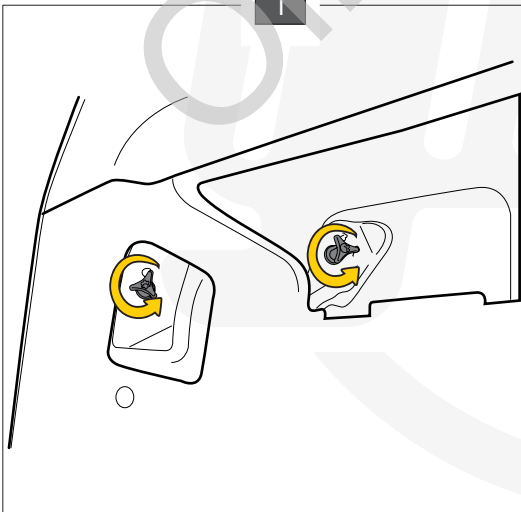
2



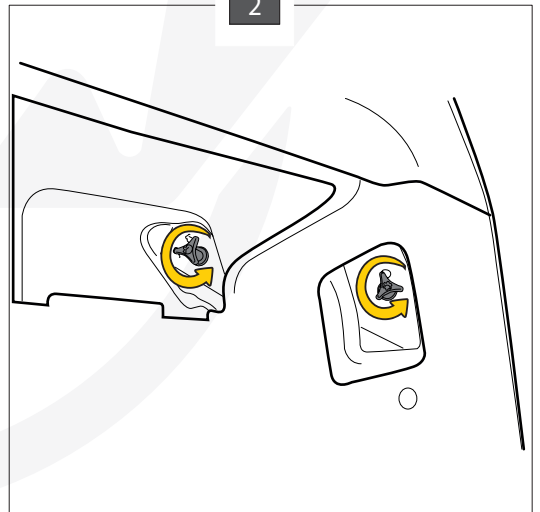
2

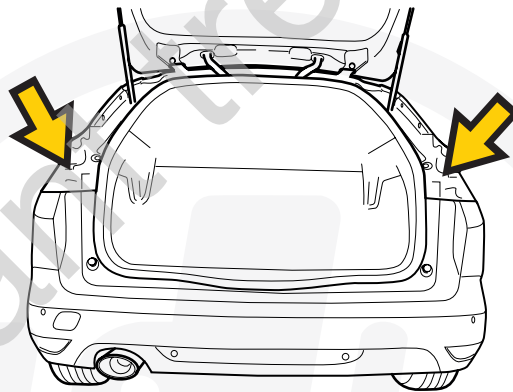
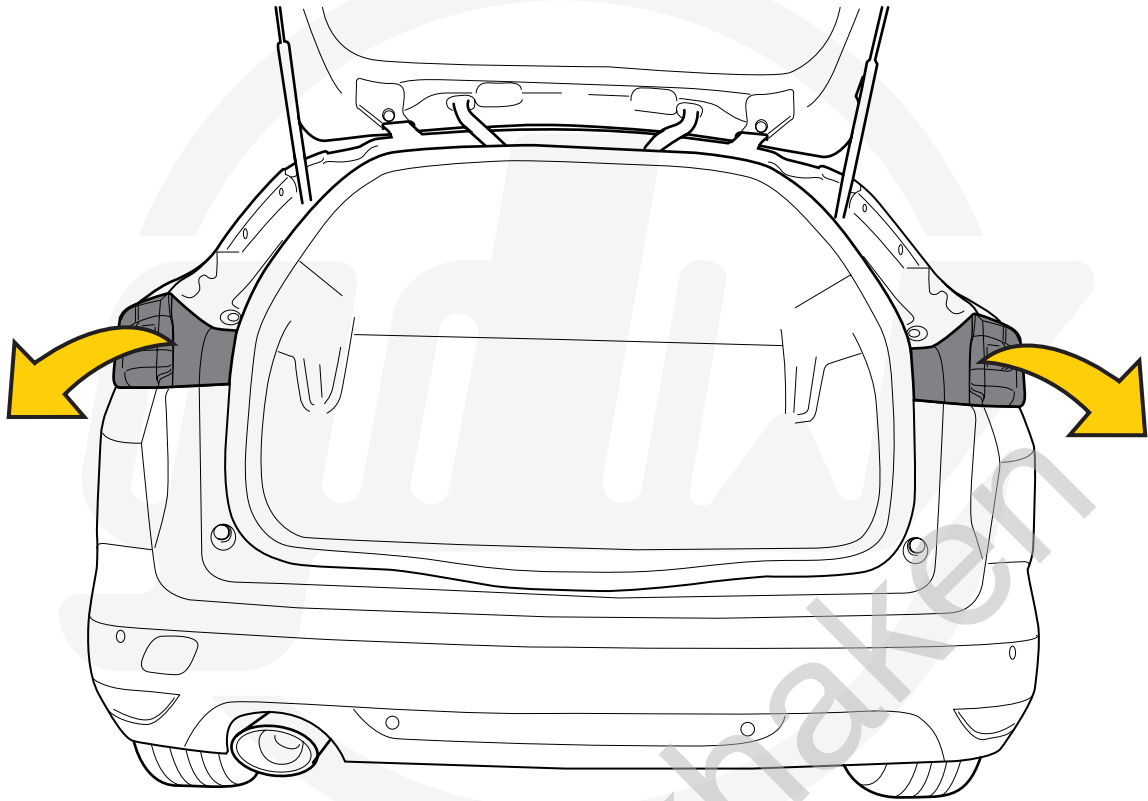


1

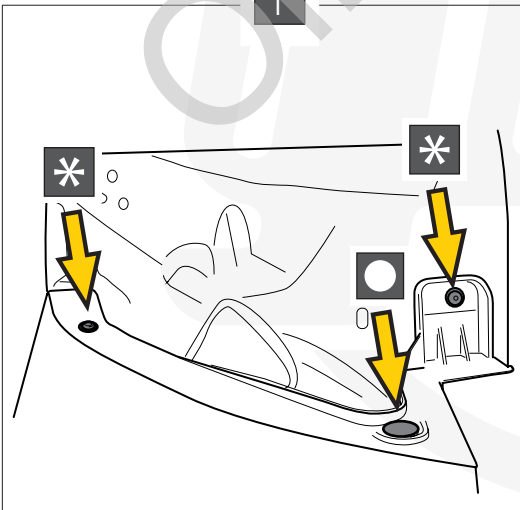


2

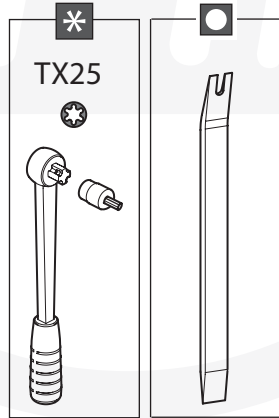
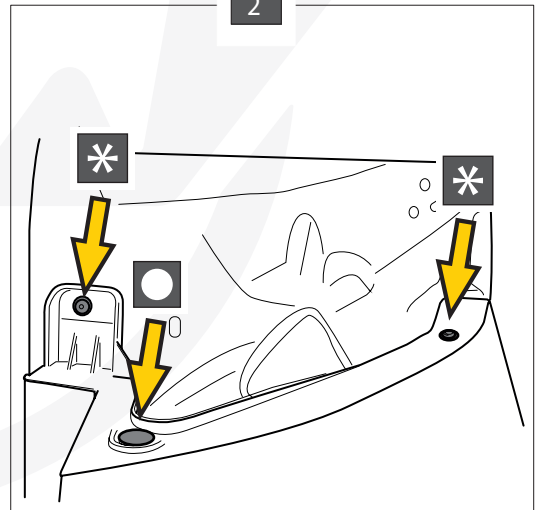




1

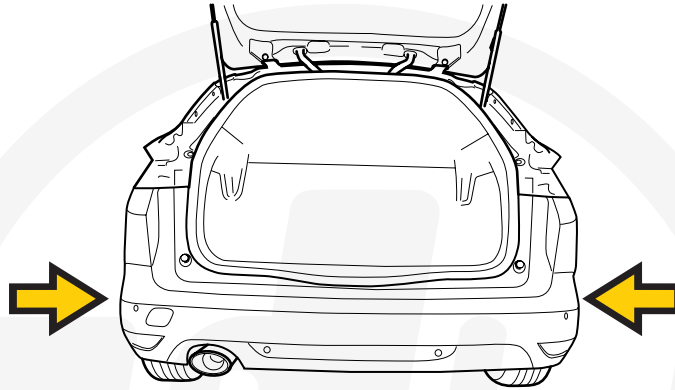


2

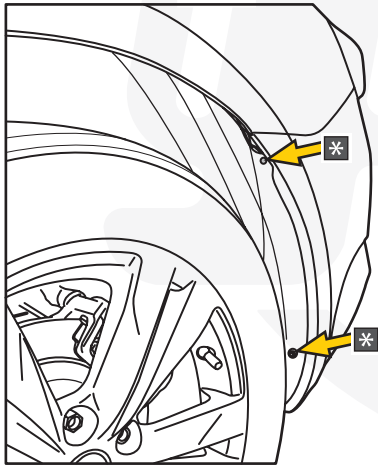




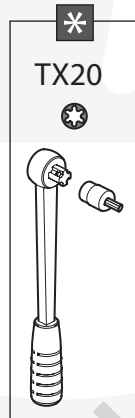
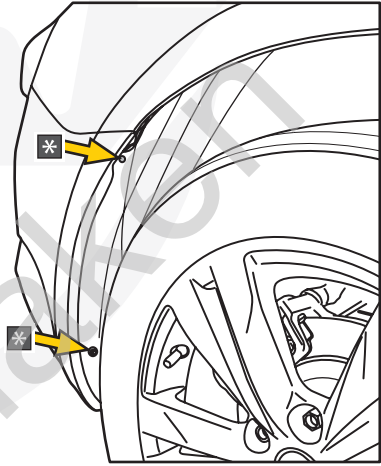
5



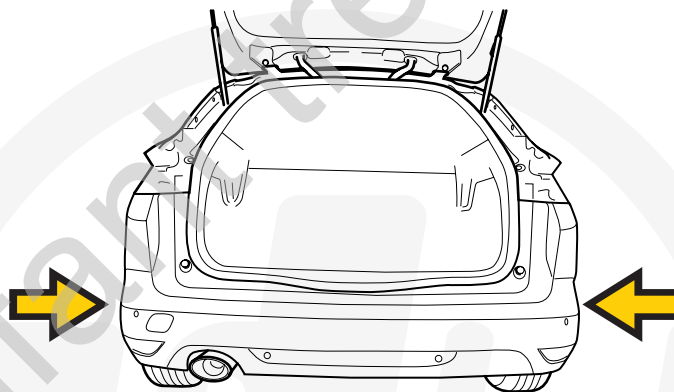
1



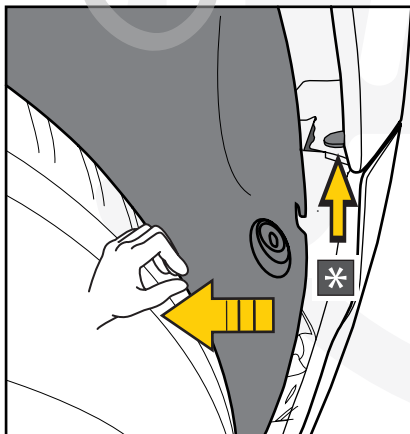
2



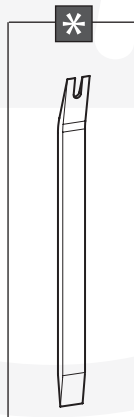
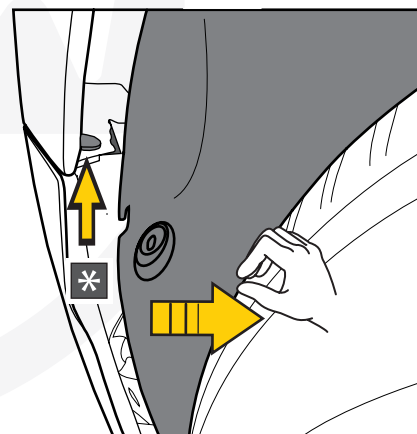
6

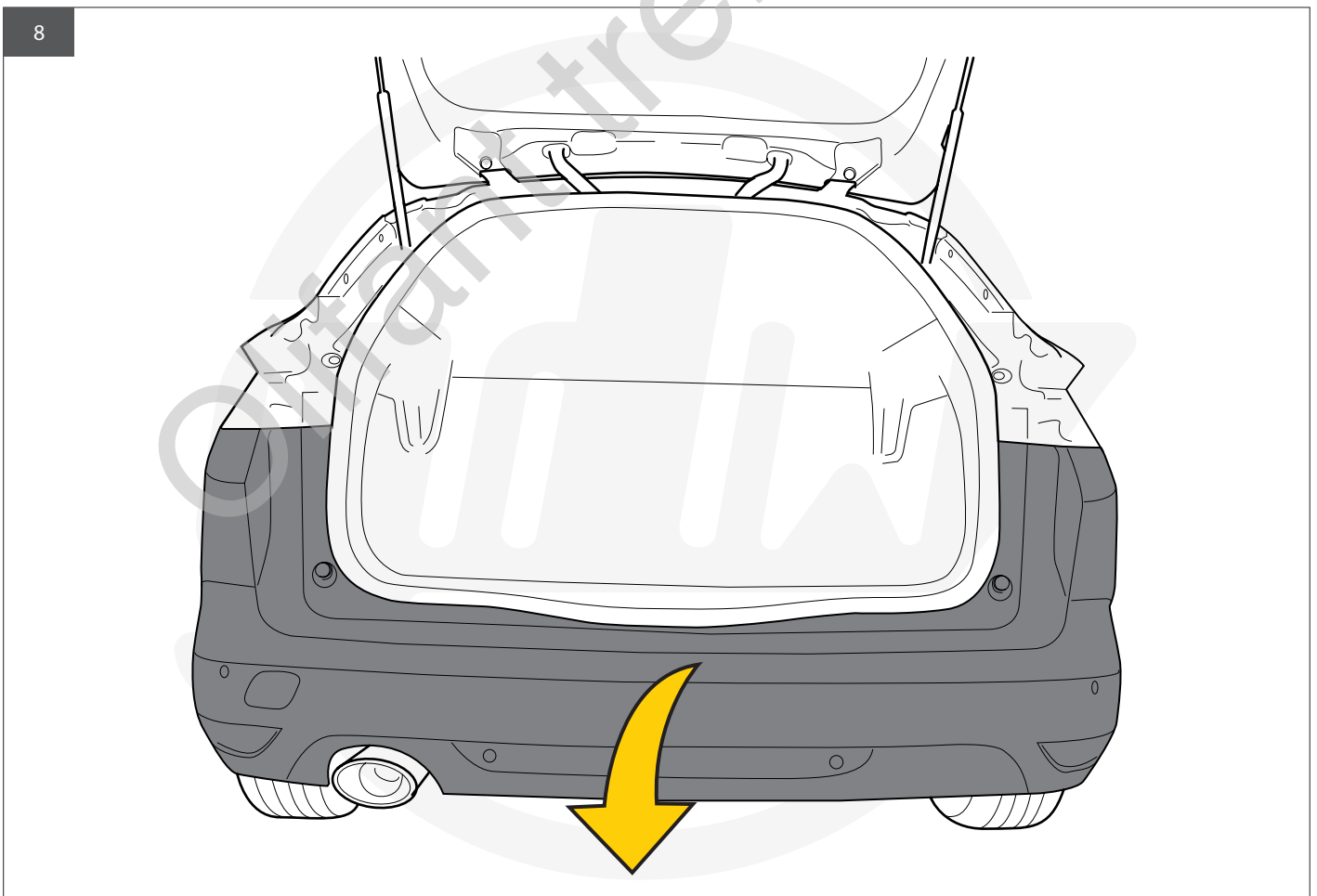
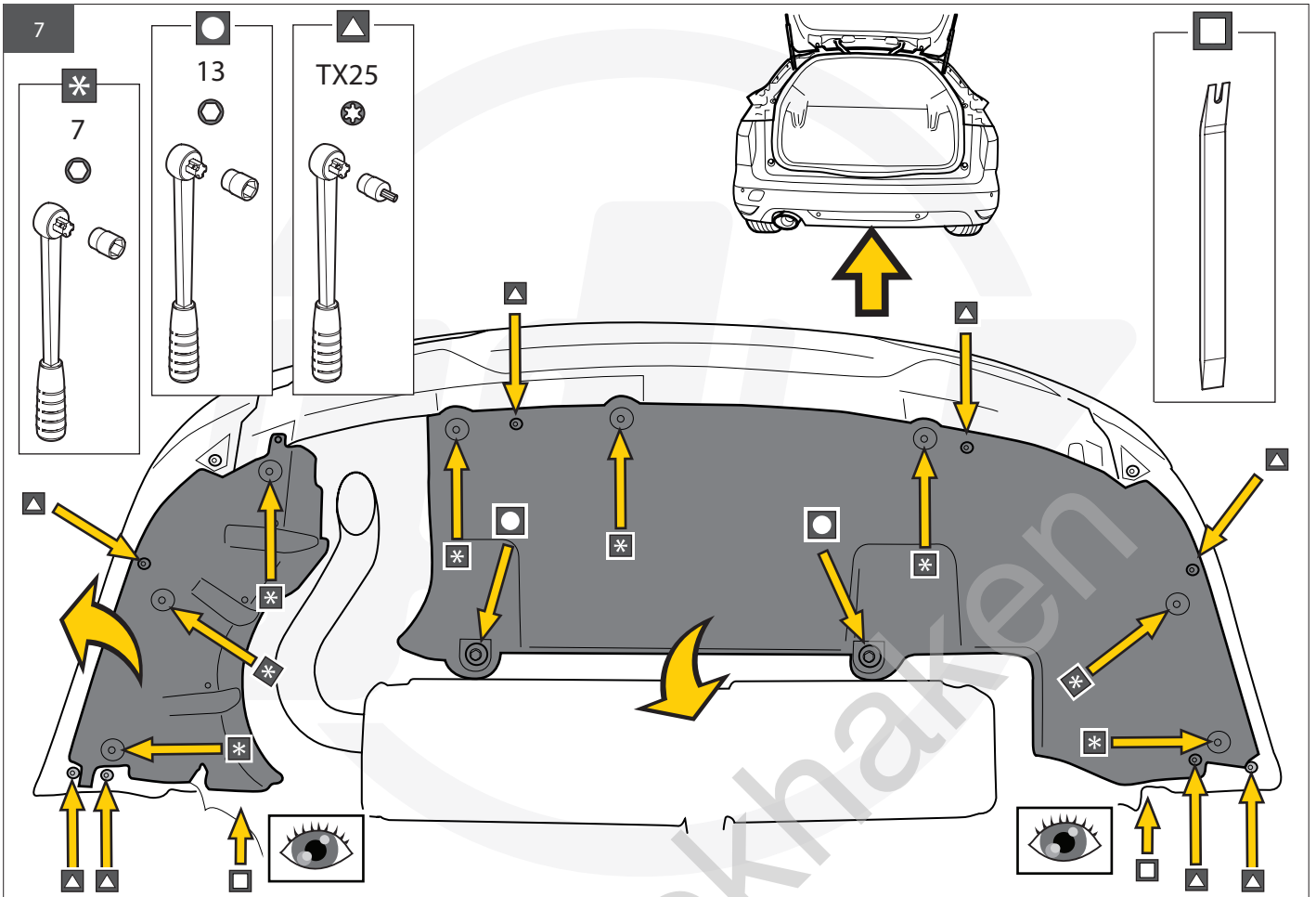


1

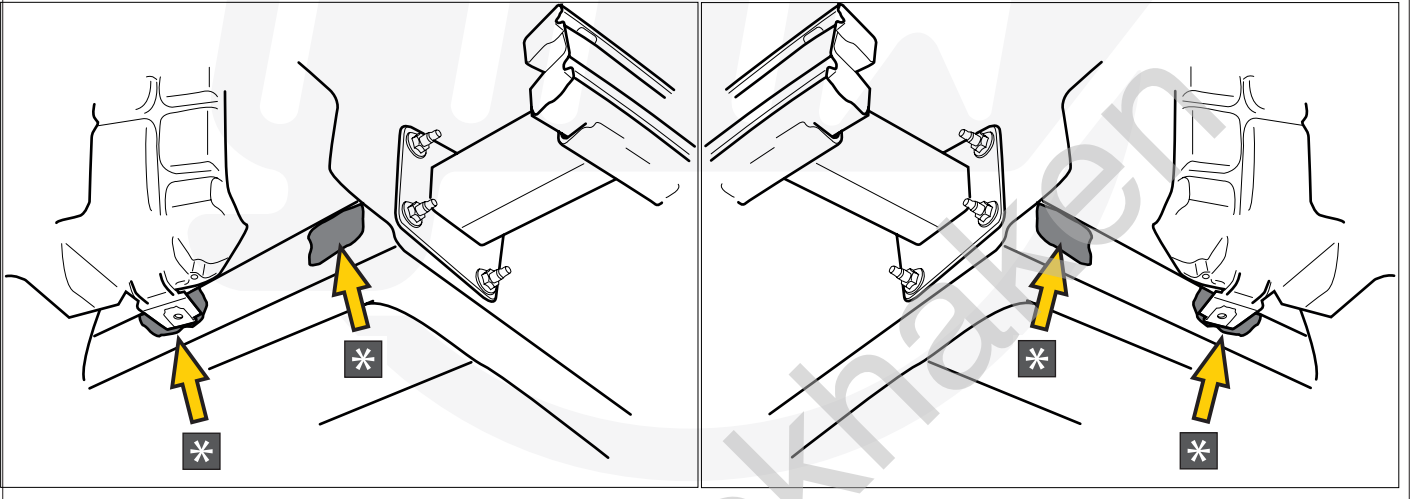
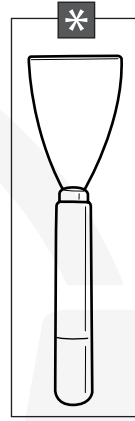
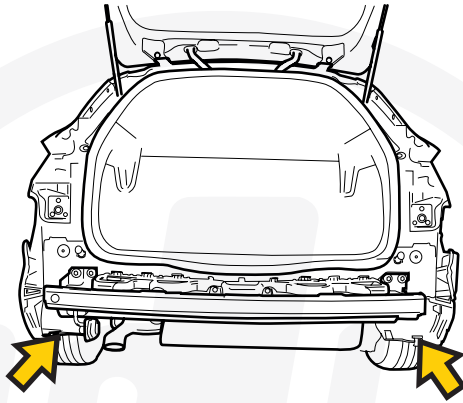


2

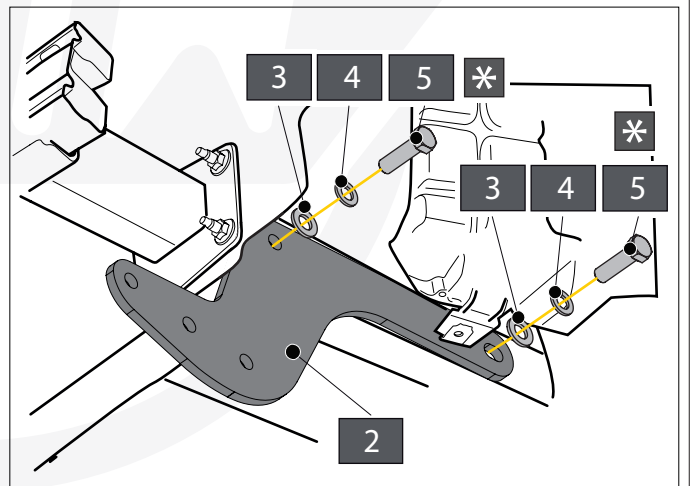
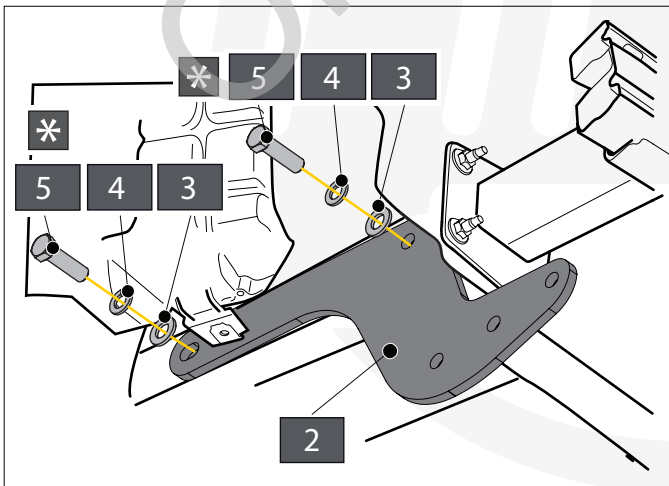
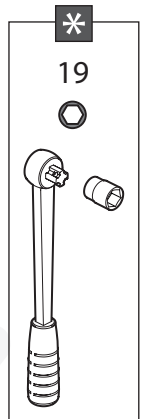
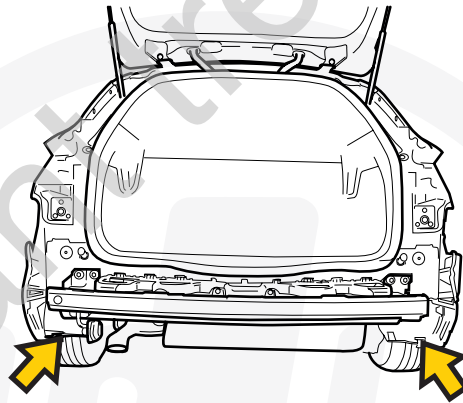


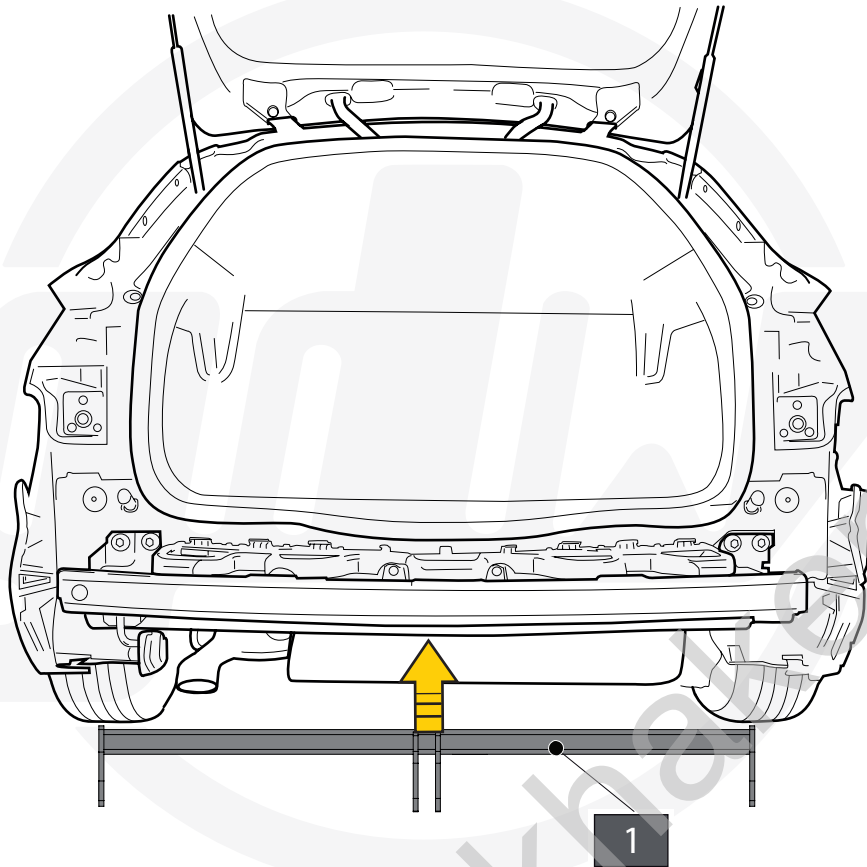


9

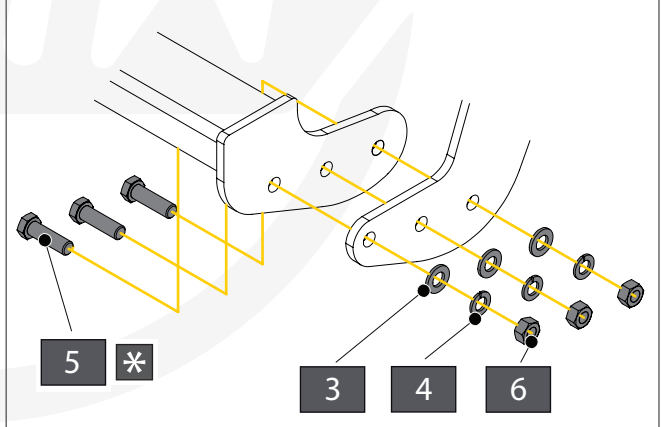
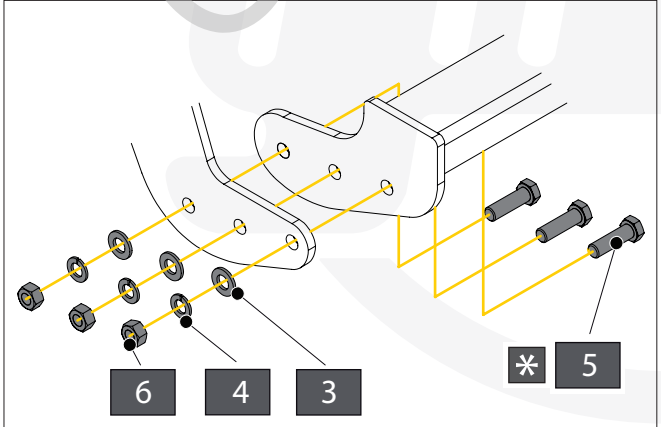
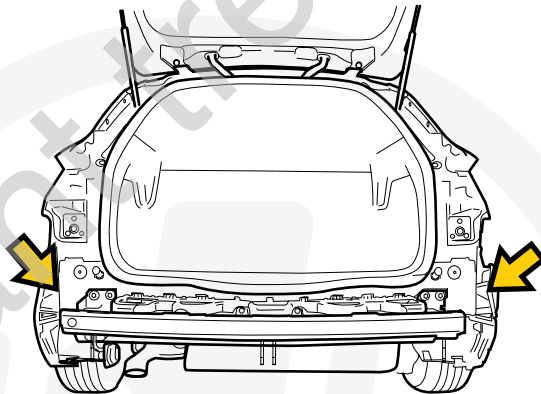
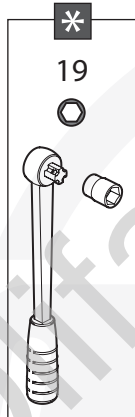


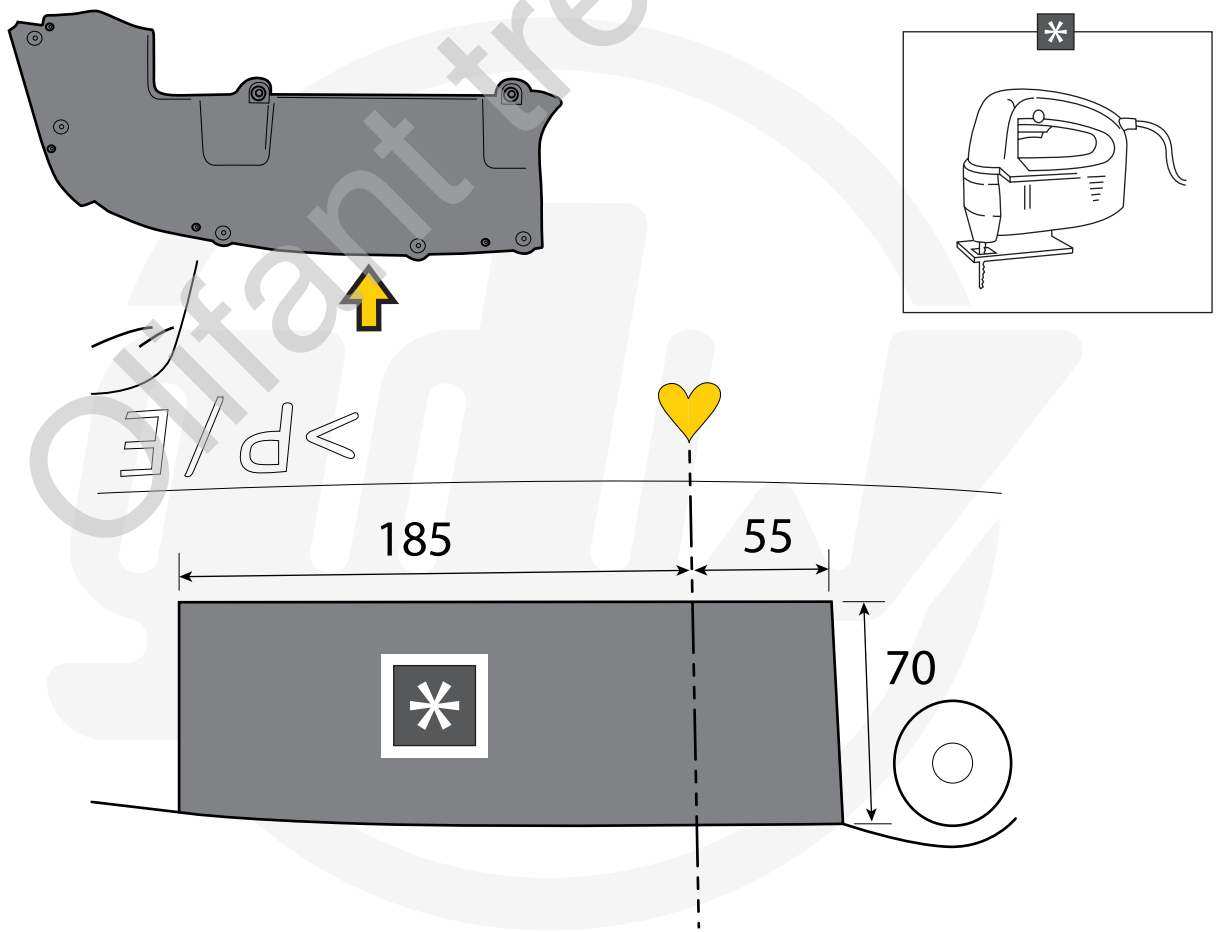
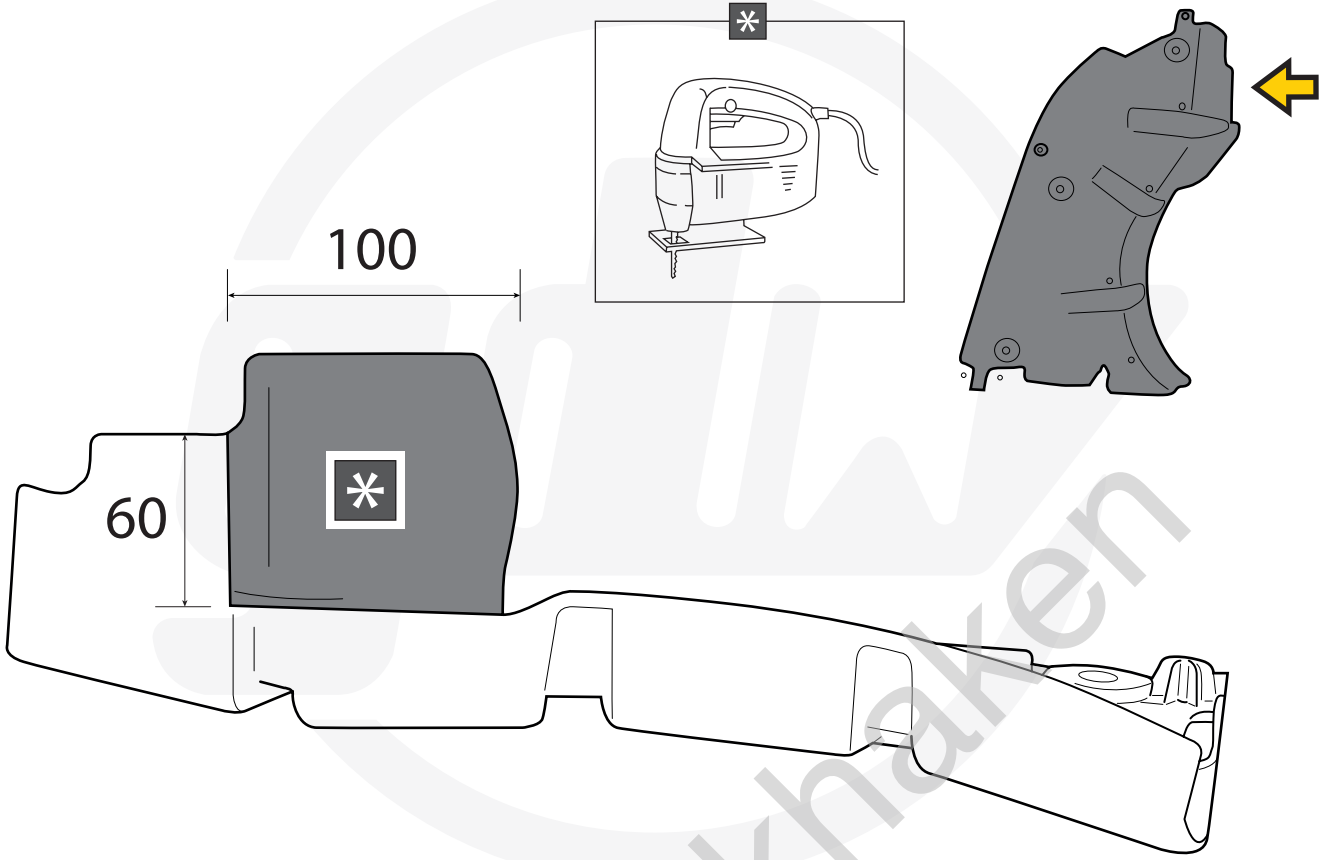
10

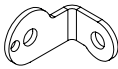




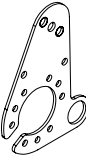



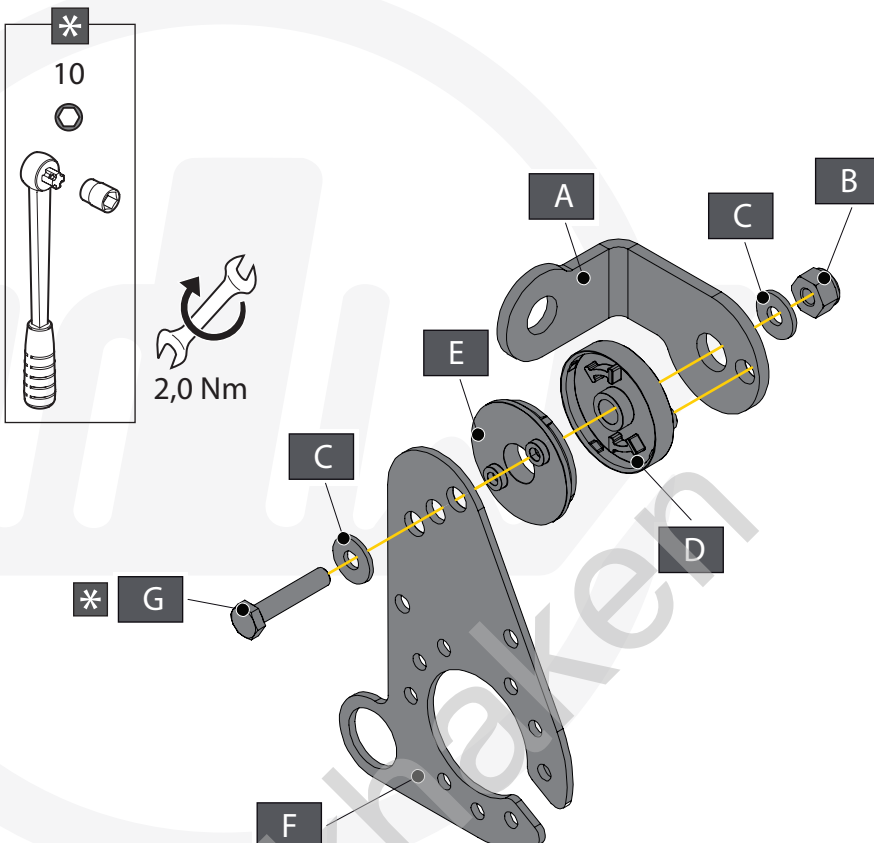


93,0 Nm



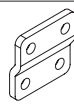

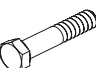



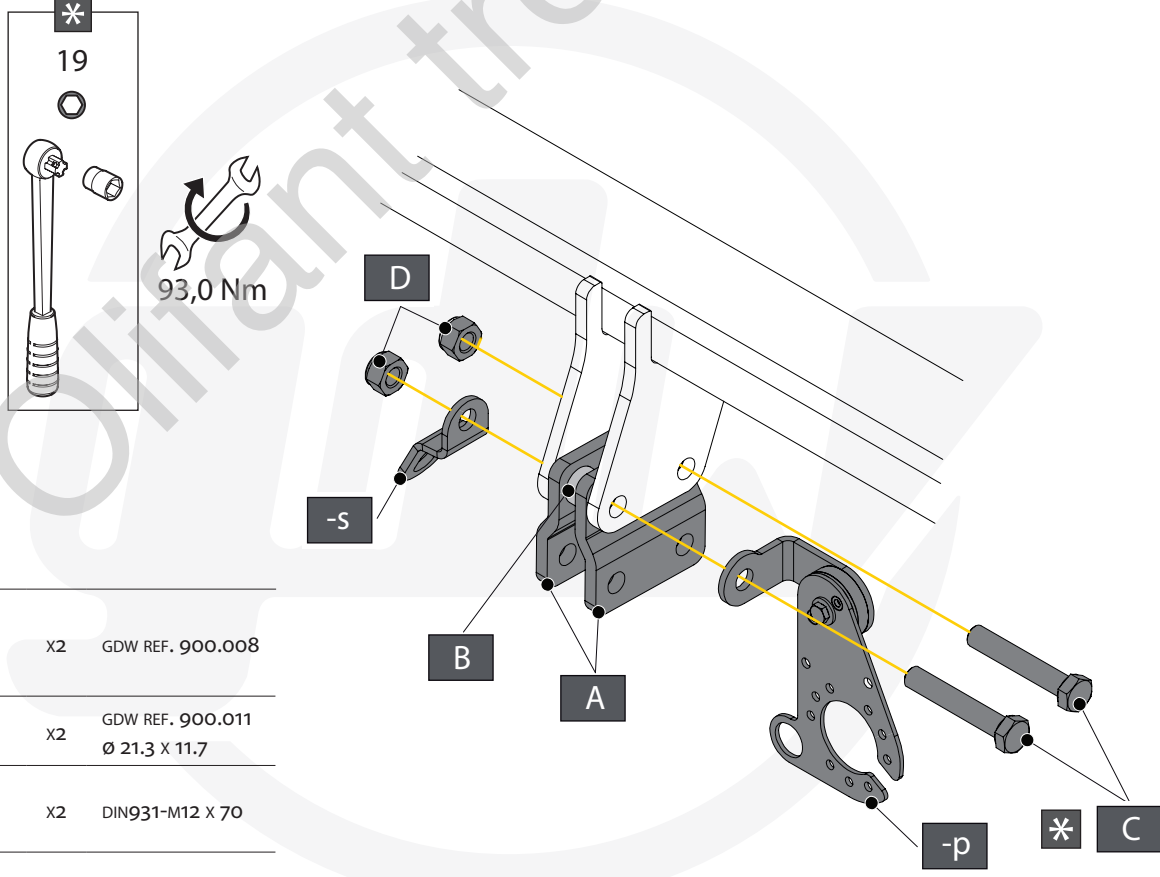
A		X1	GDW REF. 908.101
B		X1	DIN985-M6
C		X2	6,2 X 15,4 X 1,6 (NYLON)
D		X1	GDW REF. 718.16.002
E		X1	GDW REF. 718.16.003
F		X1	GDW REF. 908.094
G		X1	DIN933-M6 X 30



**10**

2,0 Nm

A		X2	GDW REF. 900.008
B		X2	GDW REF. 900.011 Ø 21,3 X 11,7
C		X2	DIN931-M12 X 70
D		X2	DIN985-M12



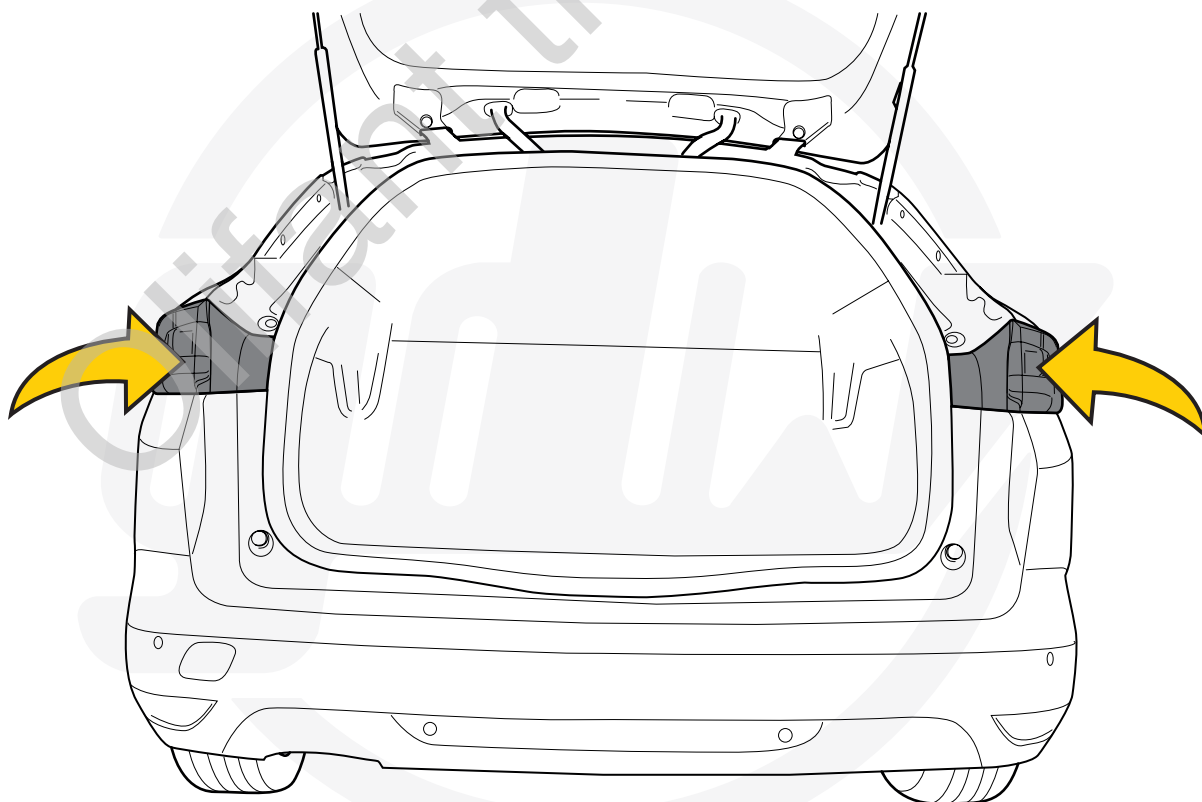
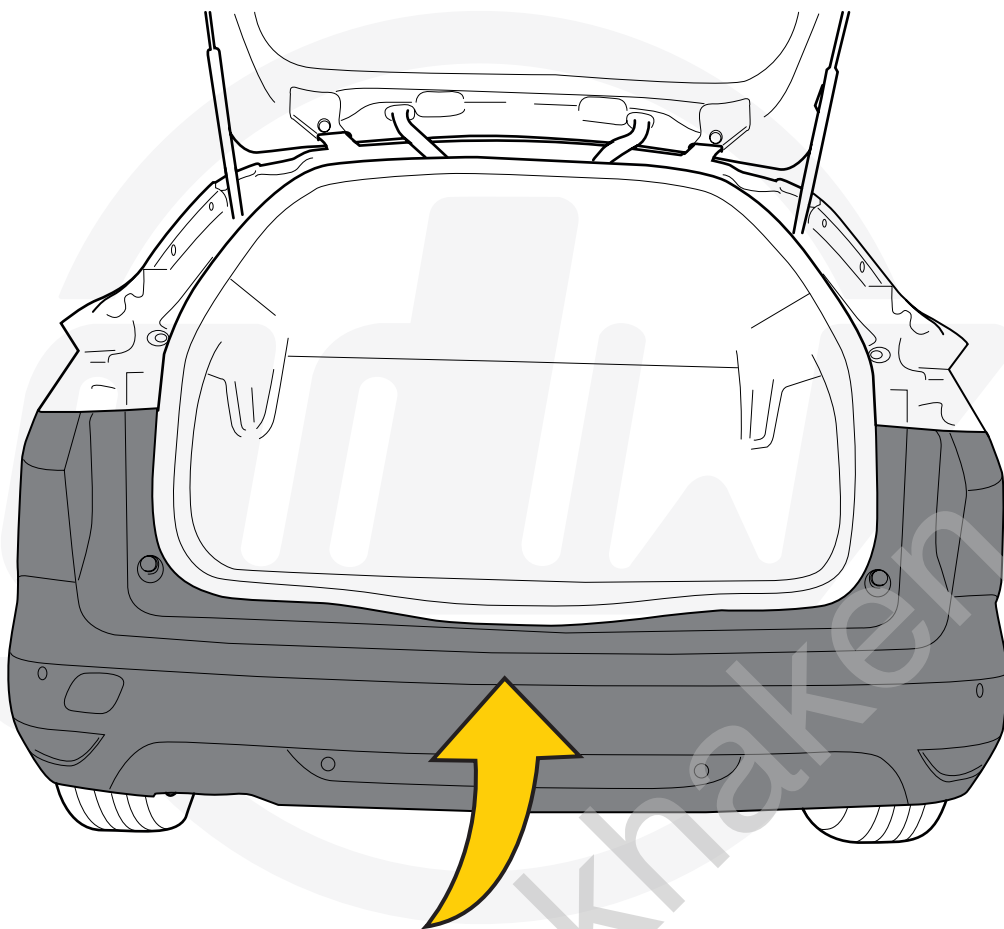
**19**

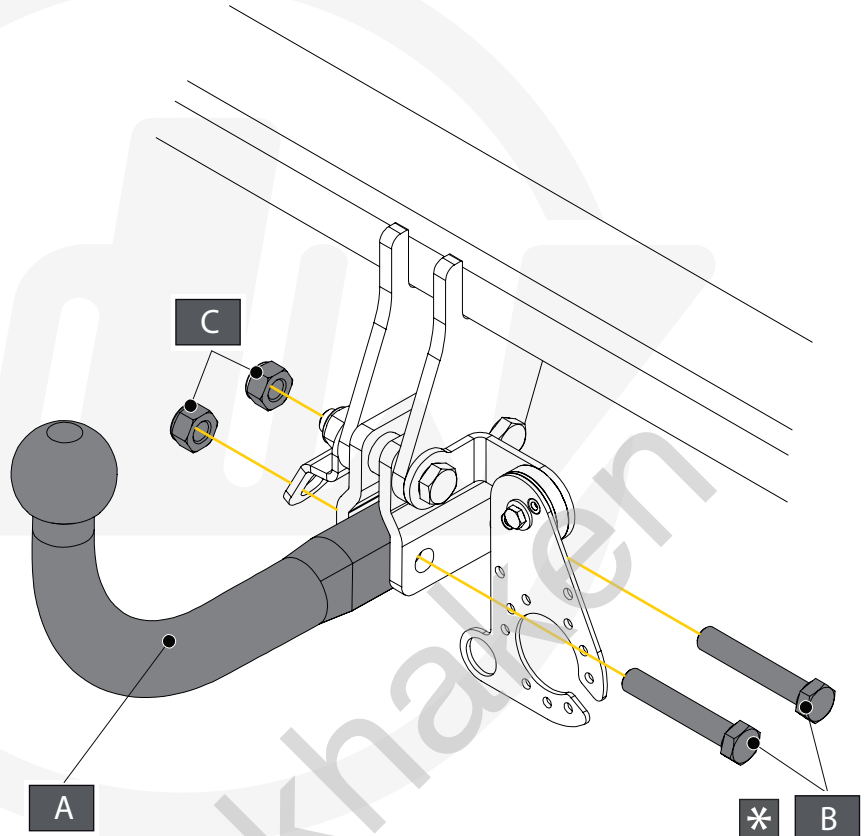
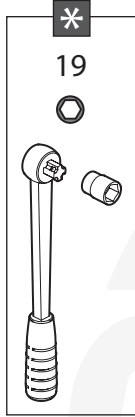
93,0 Nm

-S

-p

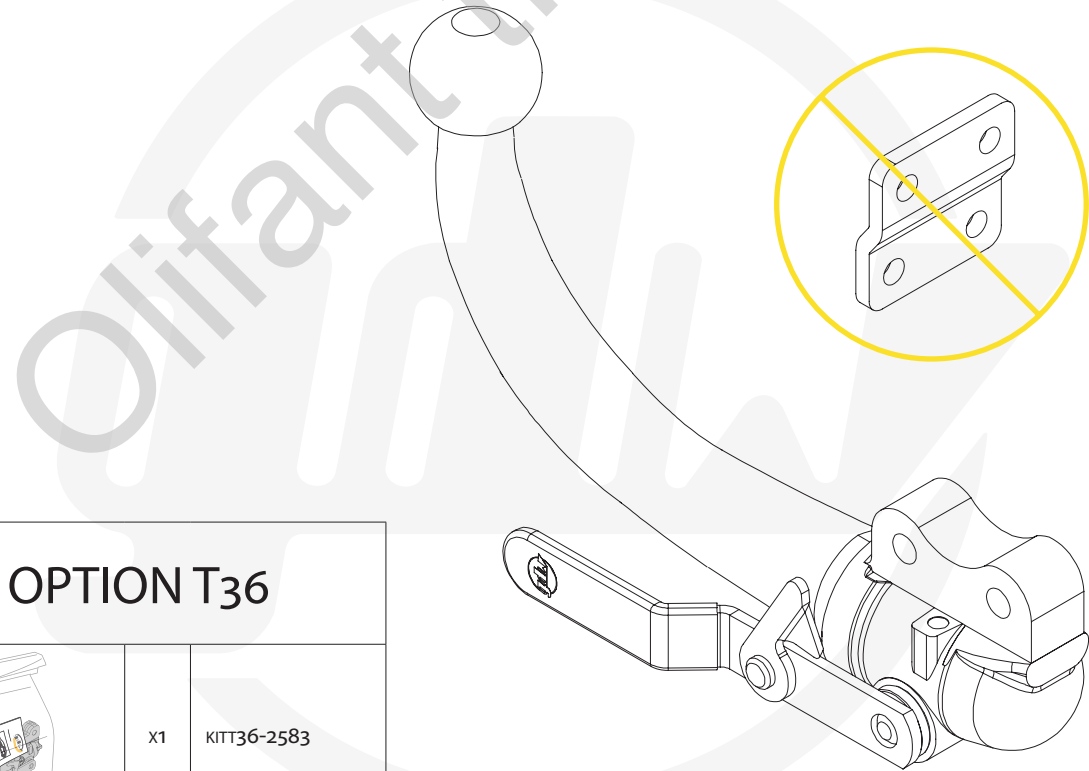
\*





A		X1	944.L031
B		X2	DIN931-M12 X 70
C		X2	DIN985-M12

AFN Opties - Options - Options - Optionen - Opciones - Muligheder



<b>OPTION T36</b>		
	X1	KITT36-2583