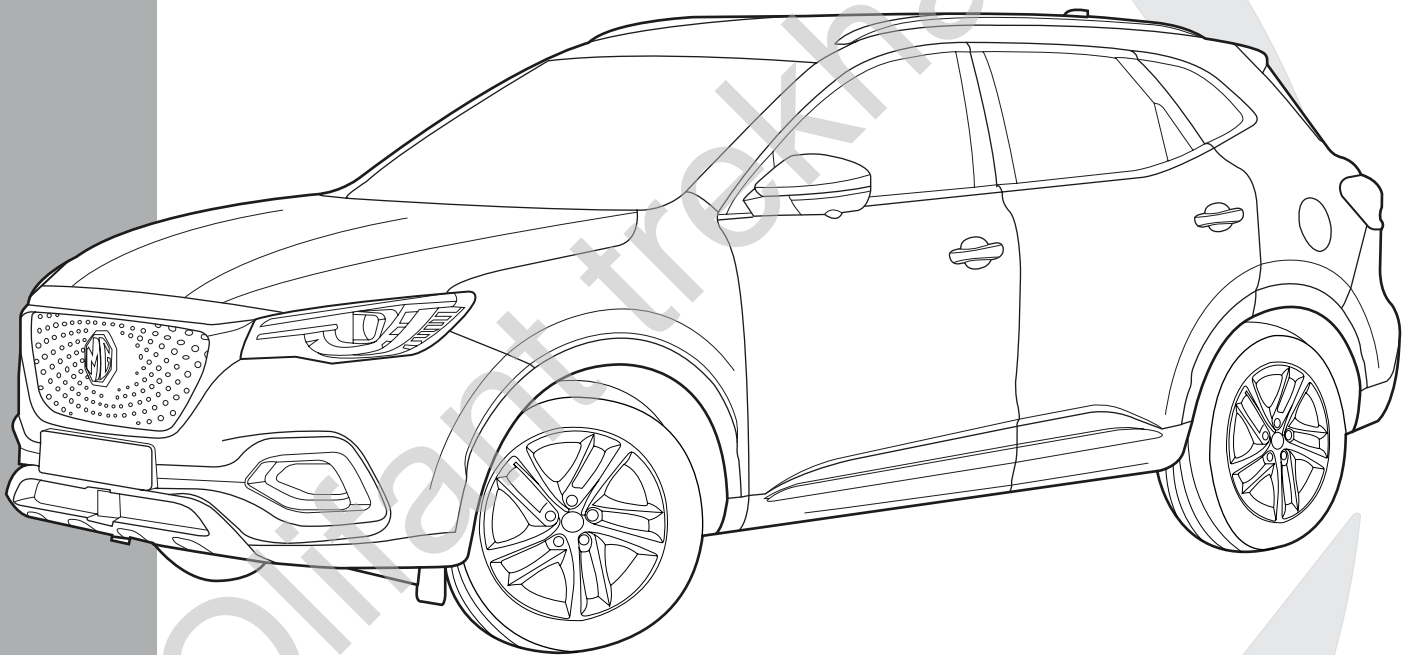


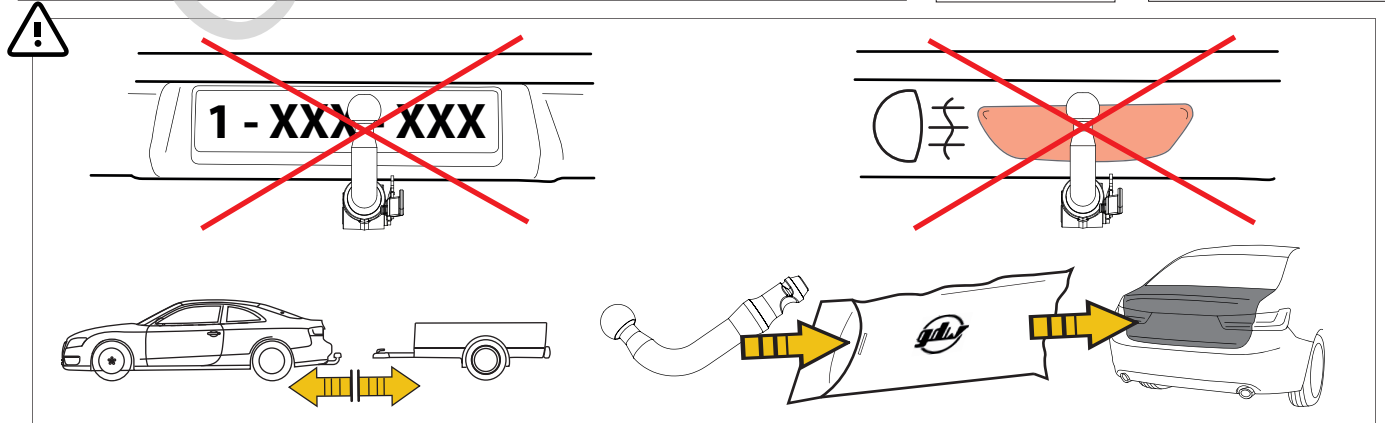
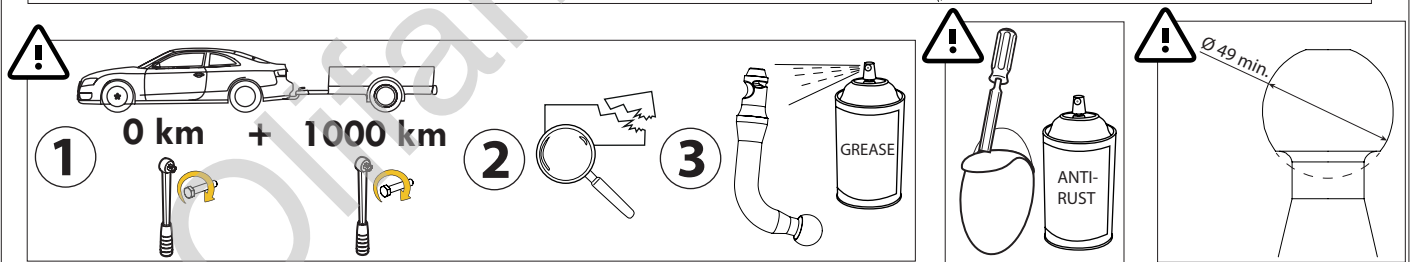
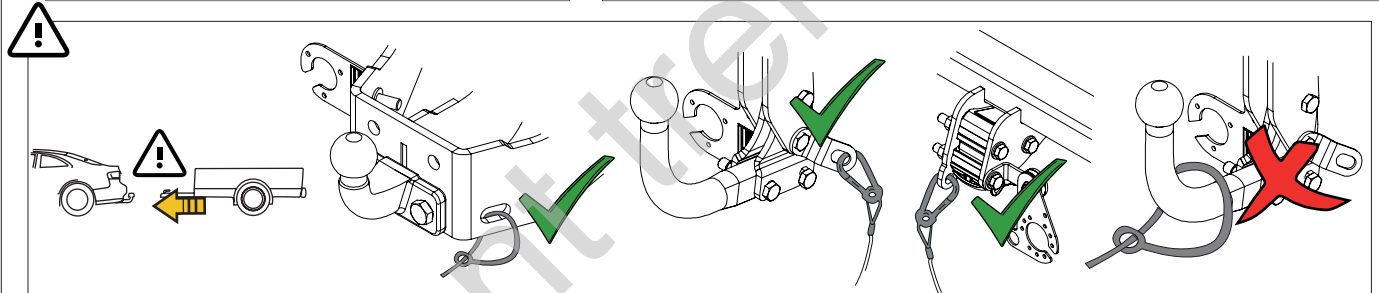
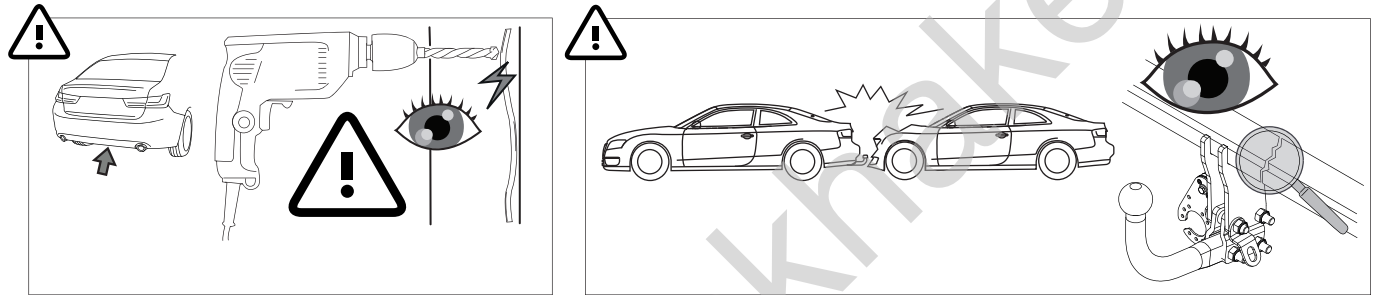
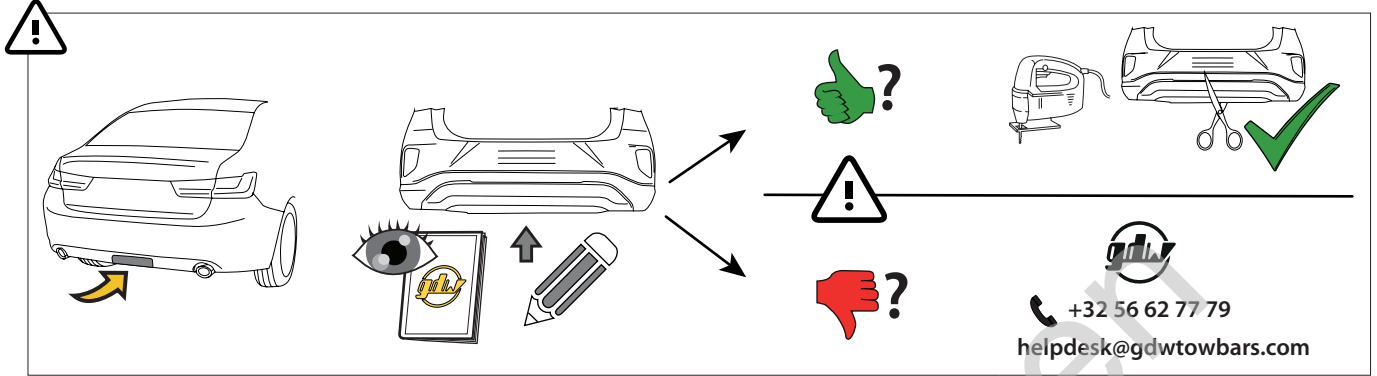
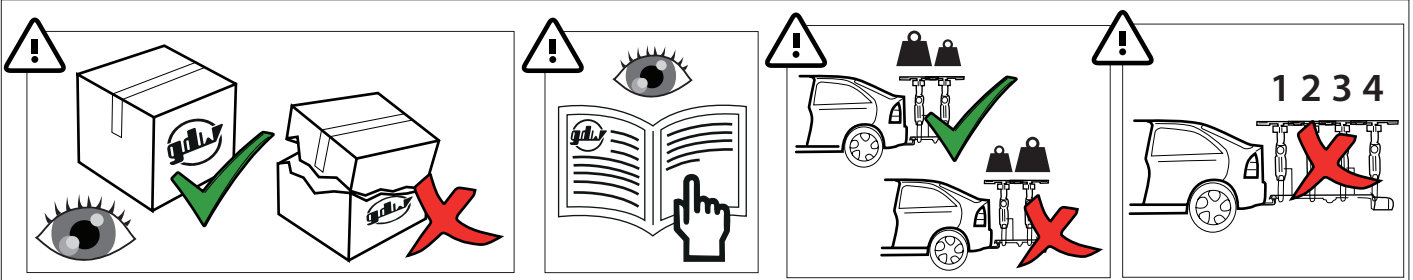


MG HS

12/'20 -

- ✓ PHEV (EHS)
- ✓ PETROL ENGINE





MADE BY



D 9,30

F

E6

BELGIUM

S 90

EC-N°

55R-02 1682

REF N°

2576T60

SERIAL N°

XXXX

DESCRIPTION

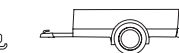
MG HS PHEV 12/'20-



D =



max kg



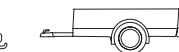
max kg

X

X 0.00981 ≤ 9,30 kN

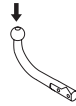


max kg

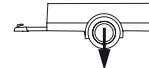


max kg

+



≤ 90 kg



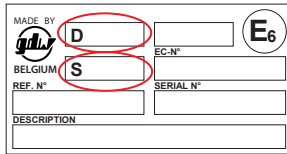
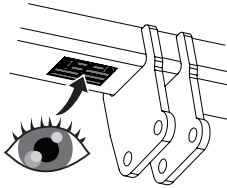
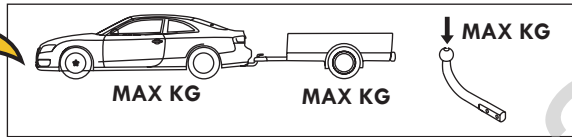
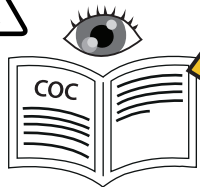
≤ 1750 kg



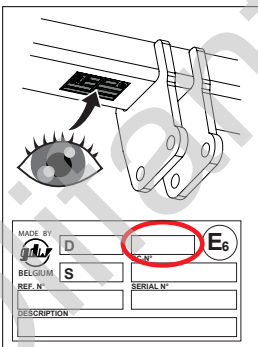
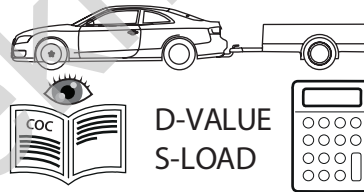
See the Certificate Of Conformity (COC) of your vehicle or contact your dealer to verify the max. trailer weight of your car!



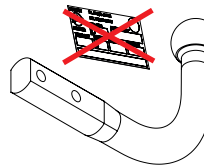
See the user manual of the vehicle for correct use of bicycle carriers!



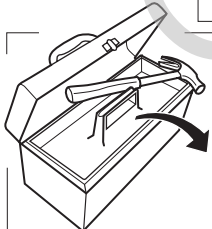
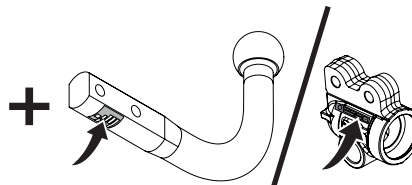
≥



A50-X?



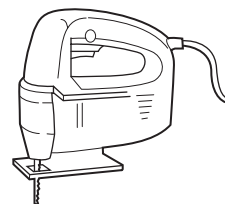
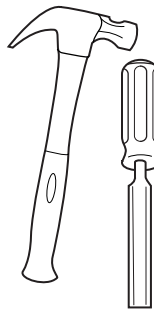
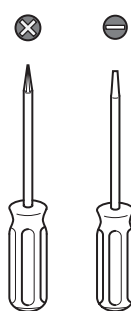
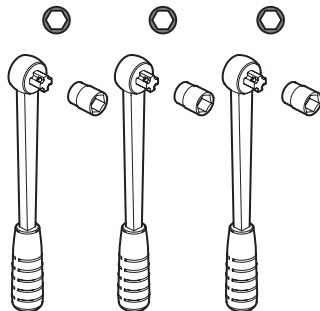
F?

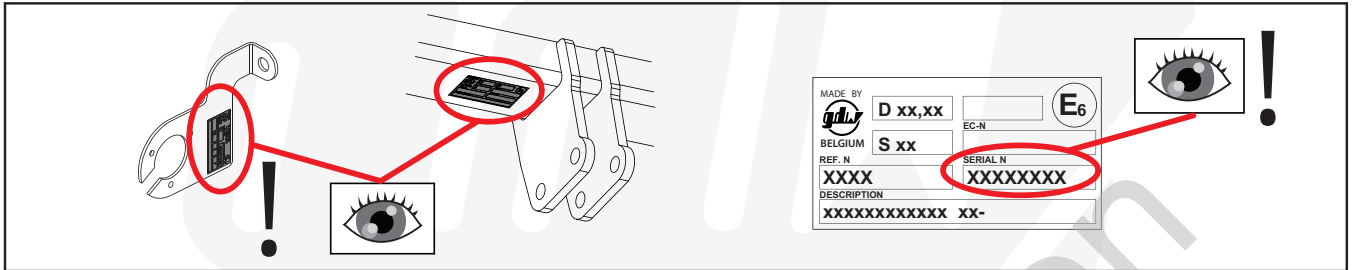


10

13

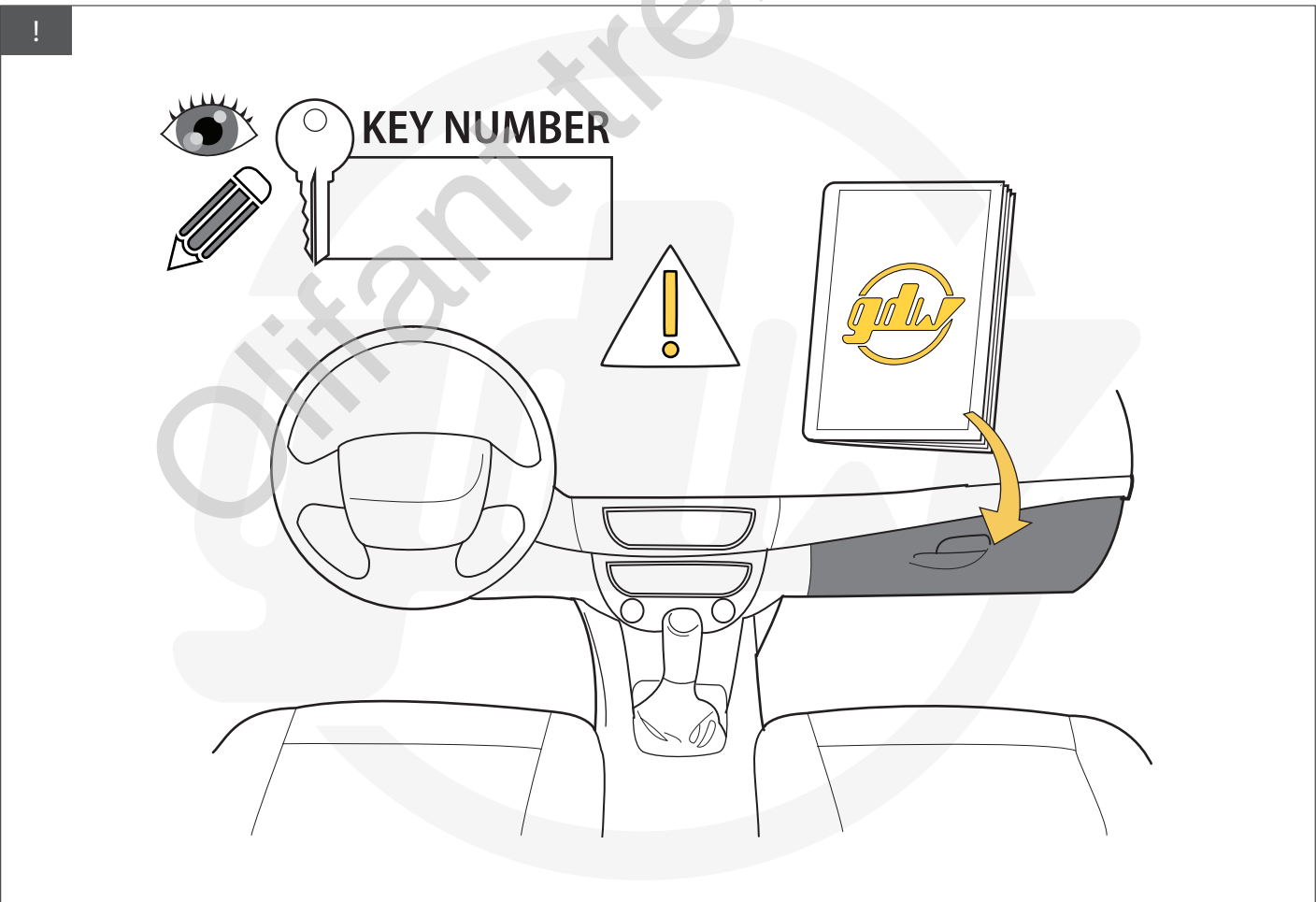
19

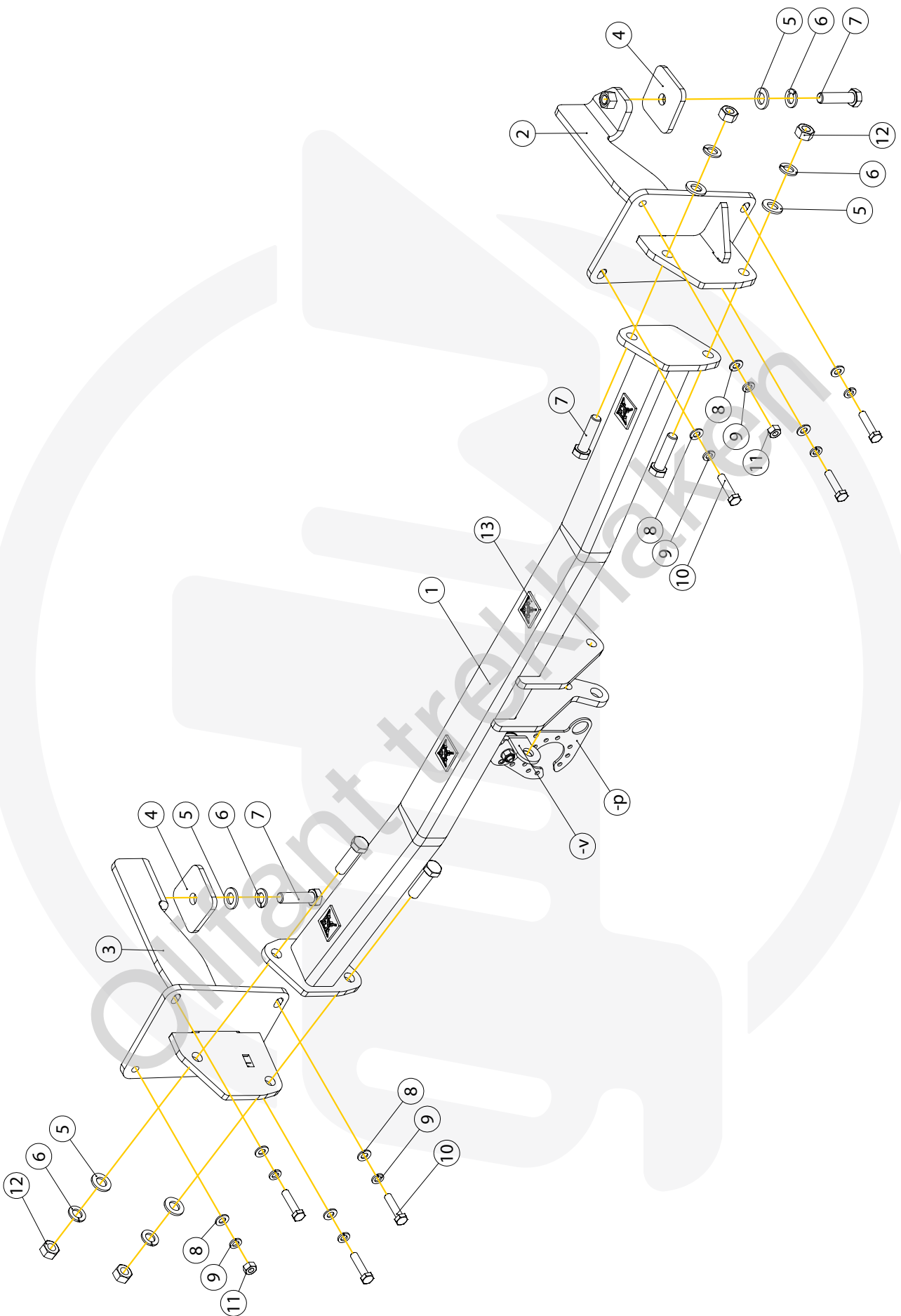


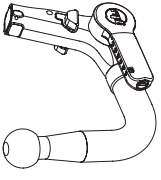
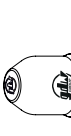
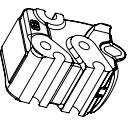


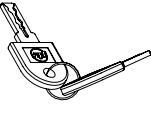

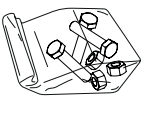






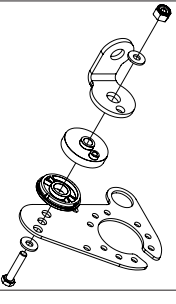

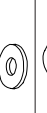

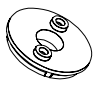
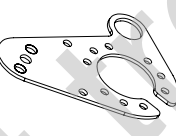


helpdesk@gdwtowbars.com
+32 56 62 77 79

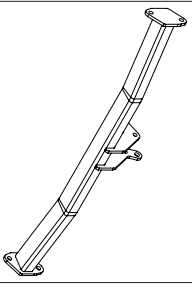
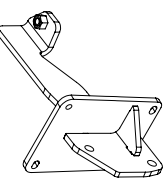
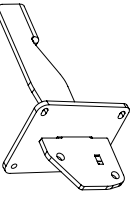










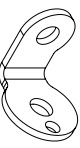

Monday	08:00 - 12:00	12:30 - 16:30
Tuesday	08:00 - 12:00	12:30 - 16:30
Wednesday	08:00 - 12:00	12:30 - 16:30
Thursday	08:00 - 12:00	12:30 - 16:30
Friday	08:00 - 12:00	12:30 - 15:30



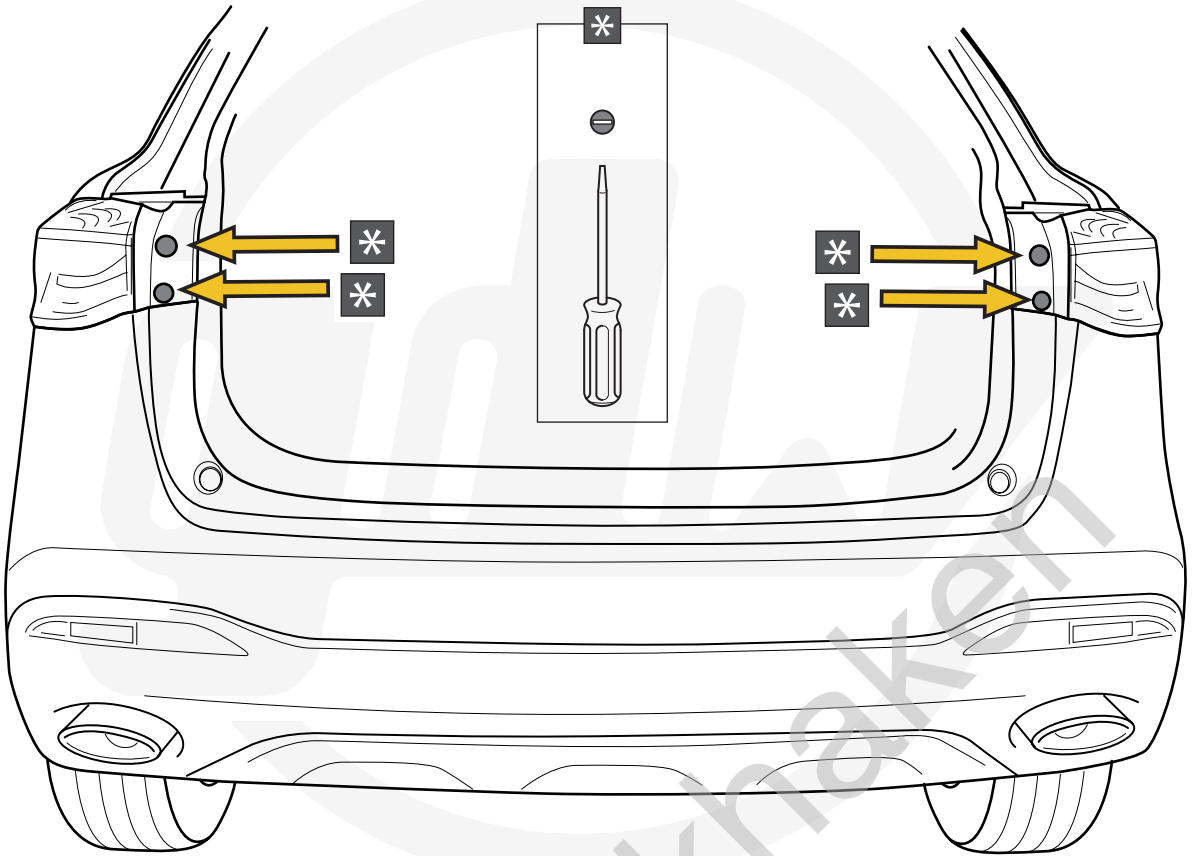


Geleverd met - Livré avec - Delivered with Geliiefert mit - Elementos adjuntos-Leveres med	X1		GDW REF. 960.V1208
	X1	 ⬇	GDW REF. 740.200
	X1		GDW REF. 912.003
	X1	 ⬇	GDW REF. 740.112
	X1	 ⬇	GDW REF. 740.111
	X1		GDW REF. 740.12X X=LAST NUMBER ON KEY
	X1		GDW REF. 718.15.001
	X1		GDW REF. SYST60-10
	X3	 ⬇	DIN931-M12X110-8.8
	X3	 ⬇	DIN128A-M12
	X6	 ⬇	DIN125A-M12
	X3	 ⬇	DIN934-M12

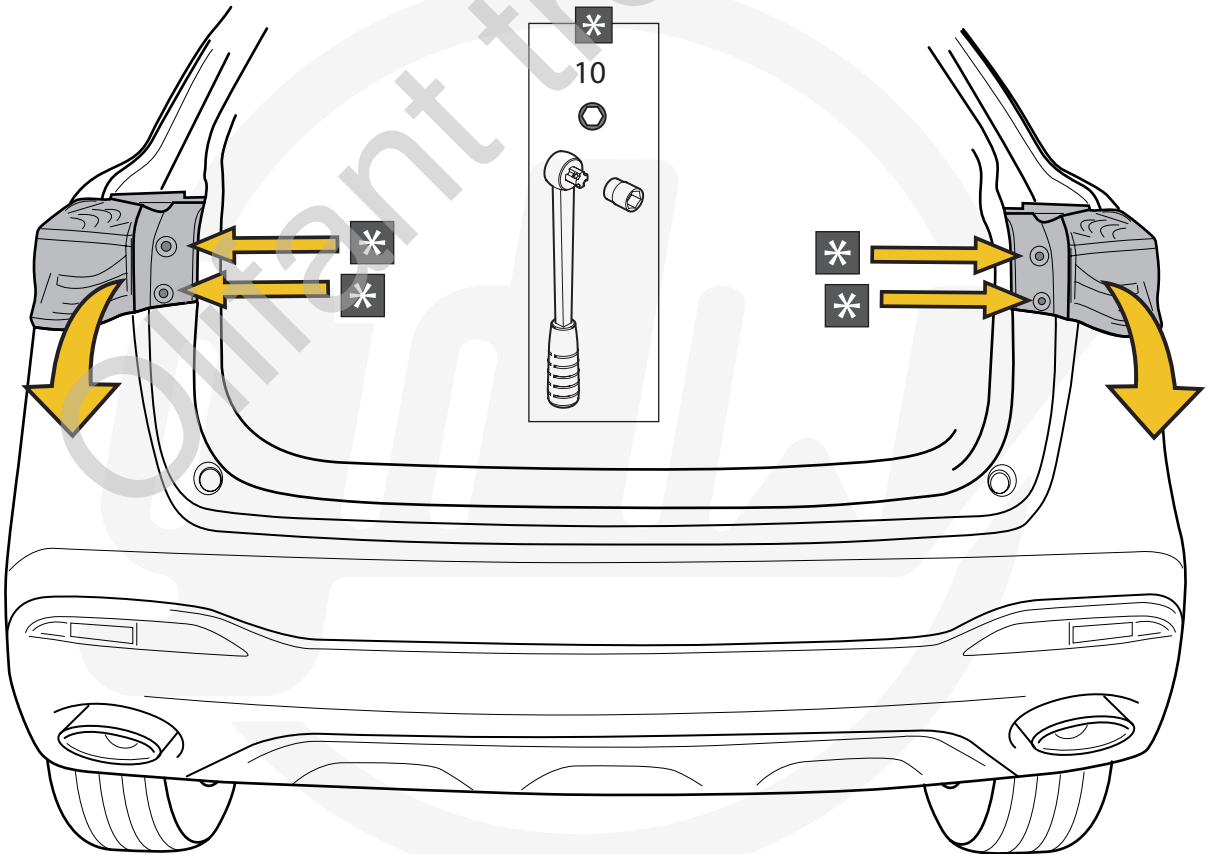
-P		X1	GDW REF. P38 + GDW REF. -V
⬇		X1	DIN935-M6
⬇		X2	6,2 X 15,4 X 1,6 (NYLON)
⬇		X1	GDW REF. 718.16.002
⬇		X1	GDW REF. 718.16.003
⬇		X1	GDW REF. 908.094
⬇		X1	DIN933-M6 X 30
⬇		X1	GDW REF. 2576160-100

1		X1	GDW REF. 2576160
2		X1	GDW REF. 2
3		X1	GDW REF. 3
4		X2	GDW REF. 4
5		X6	DIN125-A12-140HV-ELVZ
6		X6	DIN128A-M12
7		X6	DIN931-M12 X 45
8		X8	DIN125-A8-140HV-ELVZ
9		X8	DIN128A-M8
10		X6	DIN933-M8 X 35
11		X2	DIN934-M8
12		X4	DIN934-M12
13		X4	GDW REF. 718.49.001
-V		X1	GDW REF. 2576160-100
*		X4	GDW REF. 718.00.160025

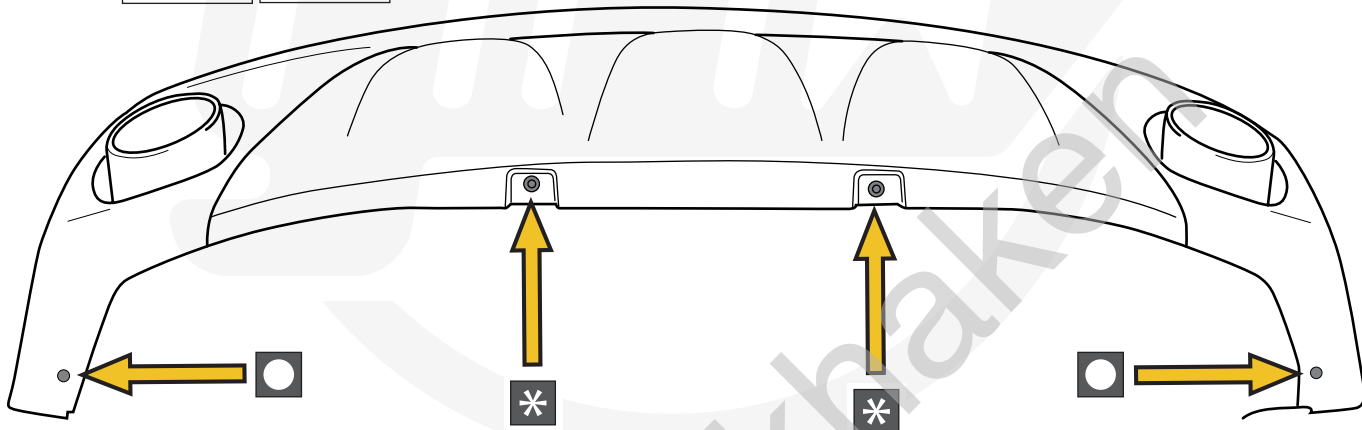
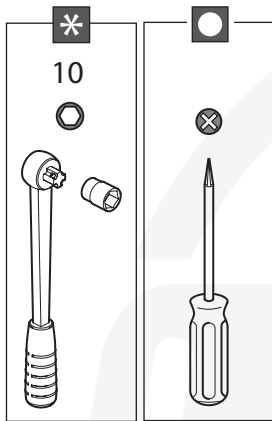
1



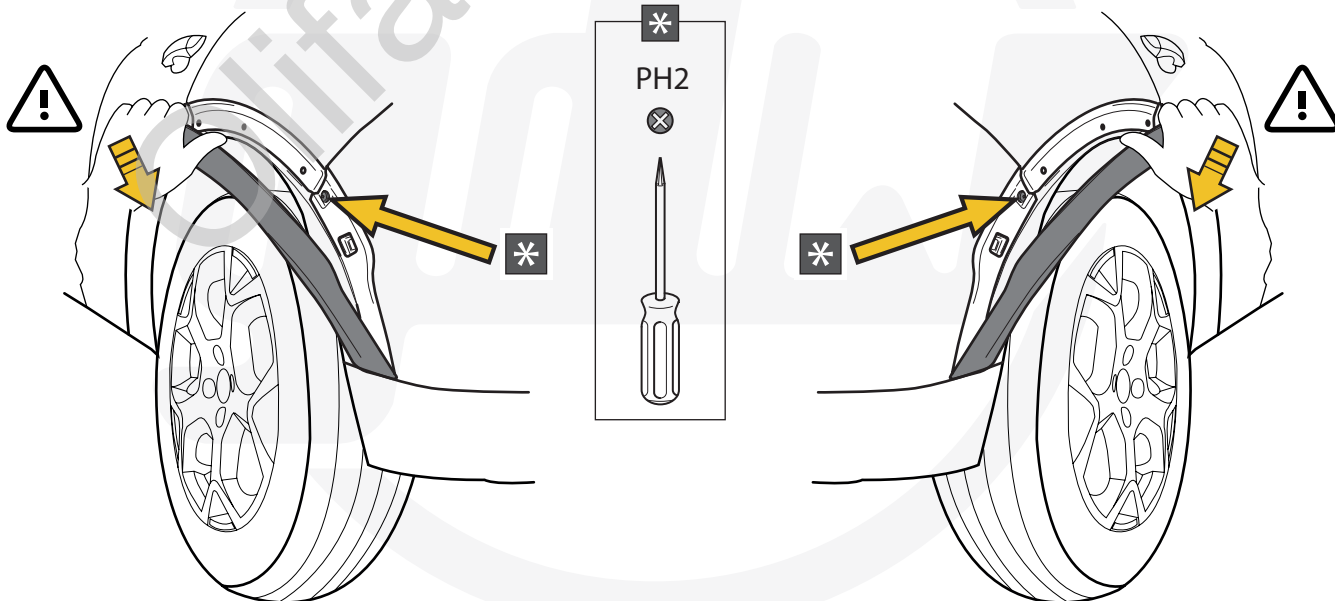
2

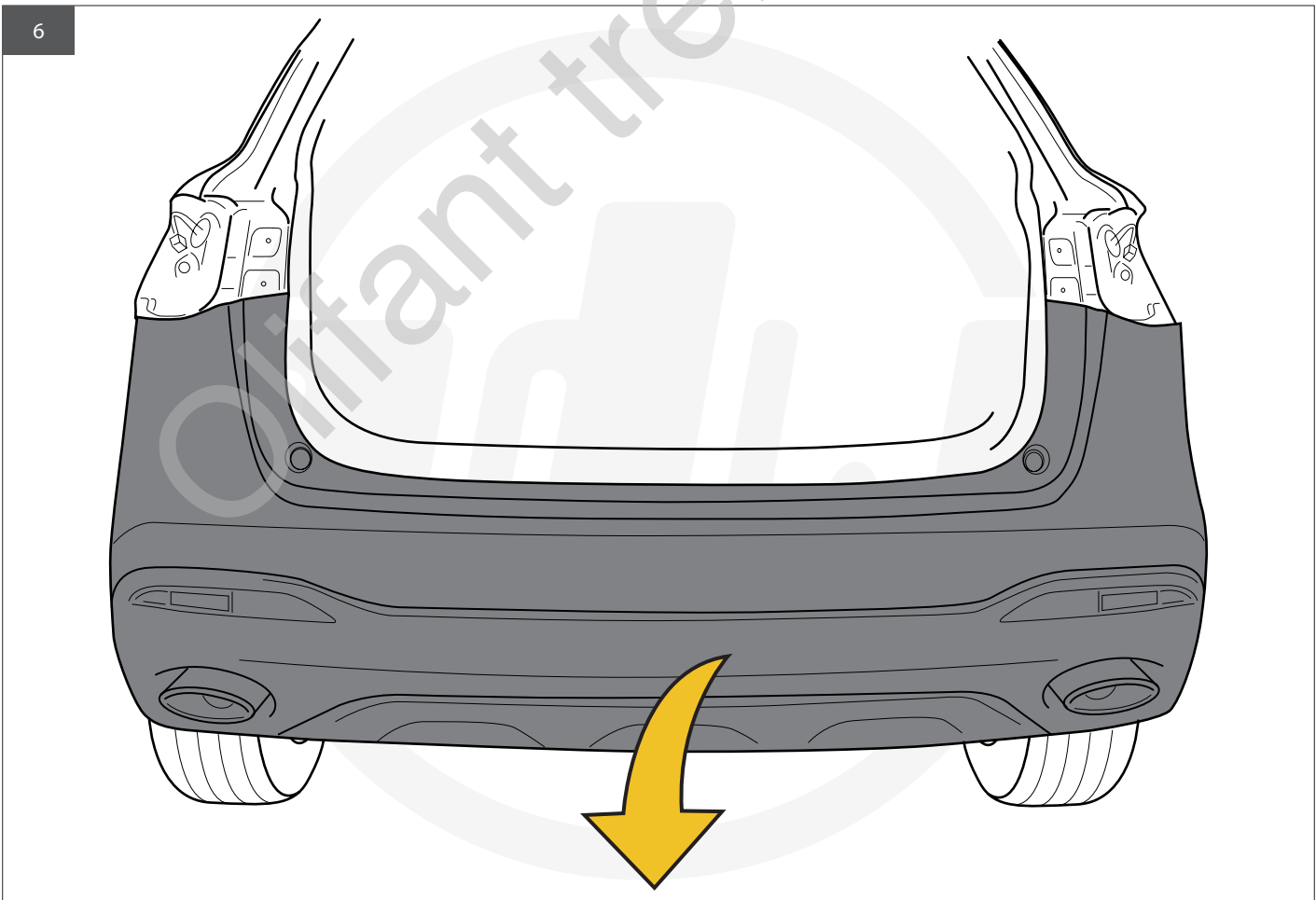
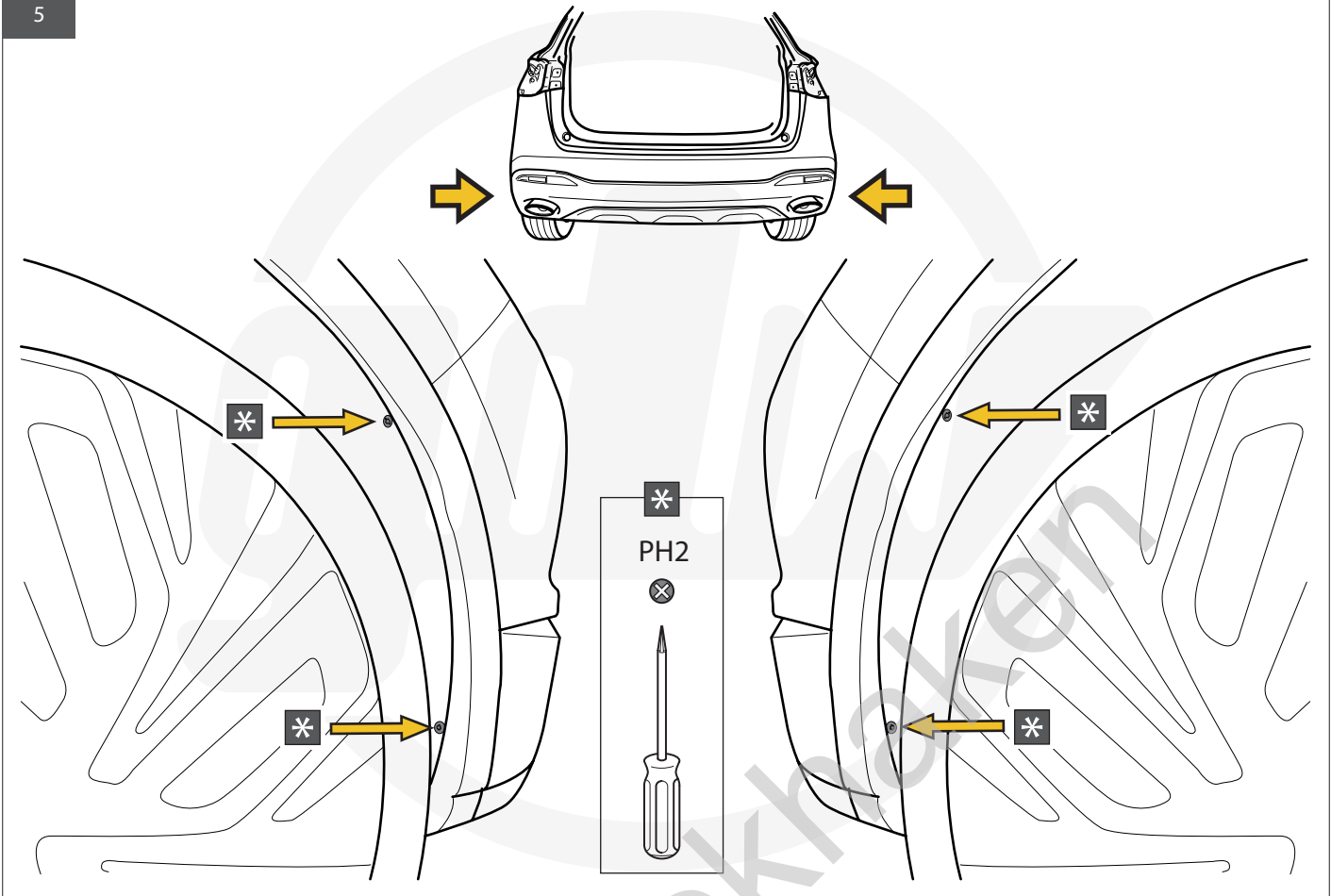


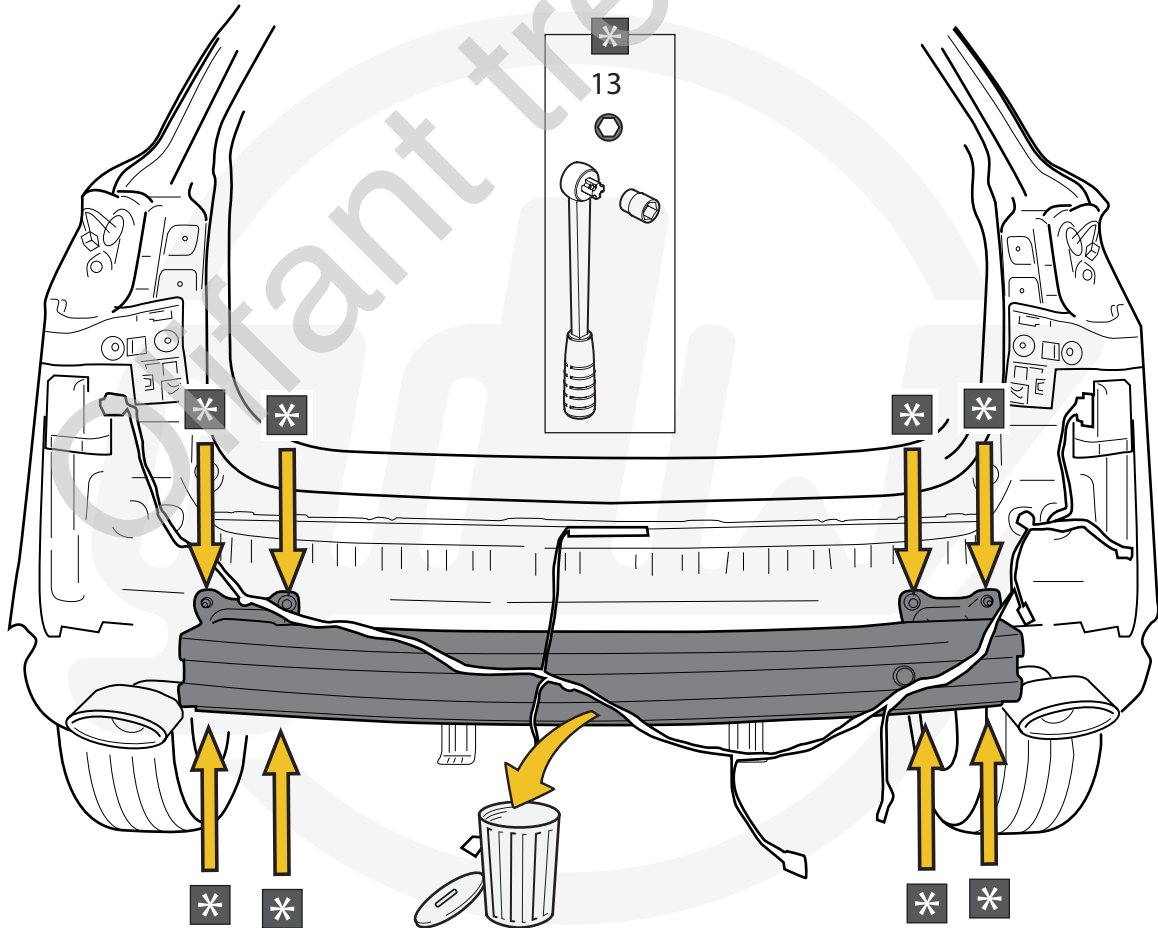
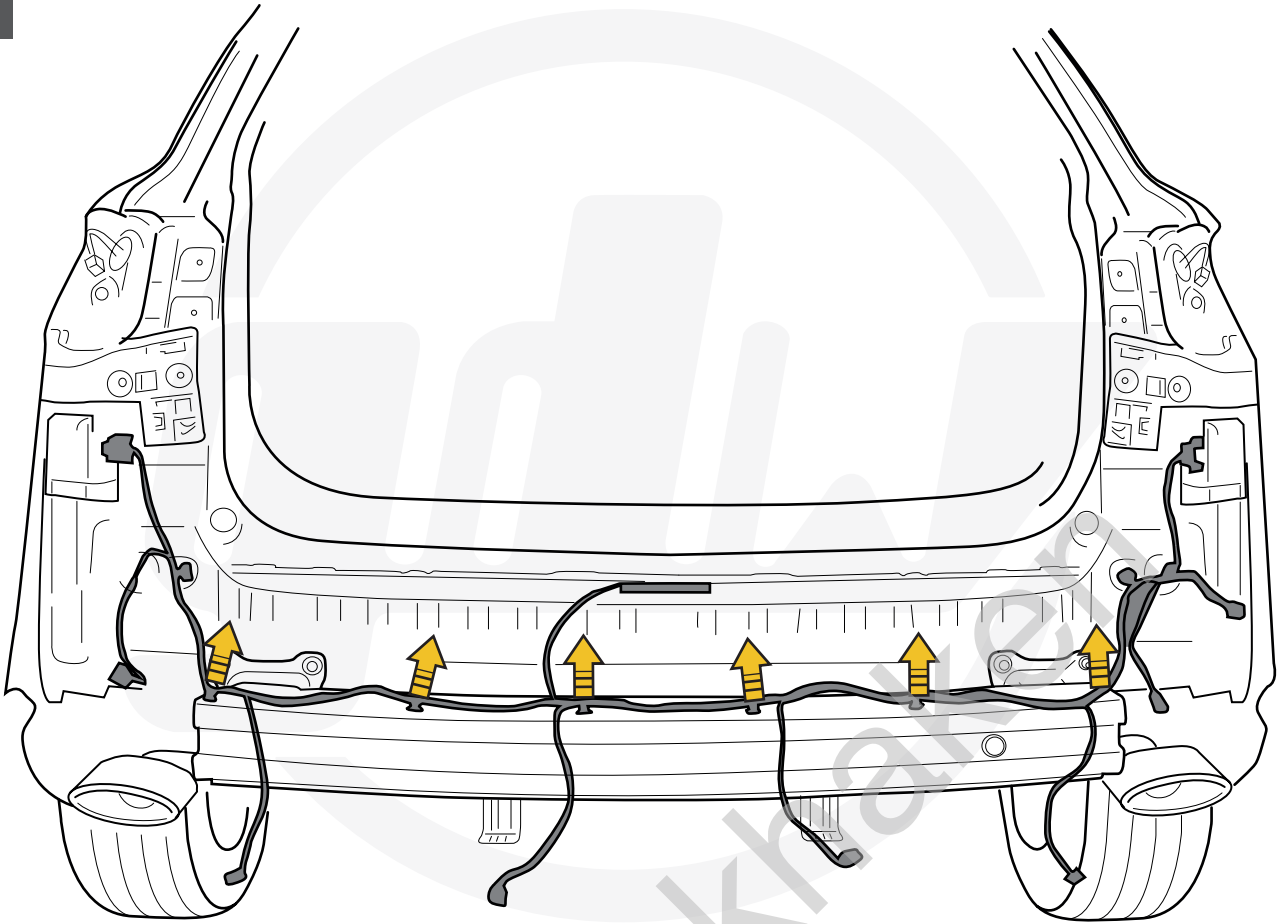
3

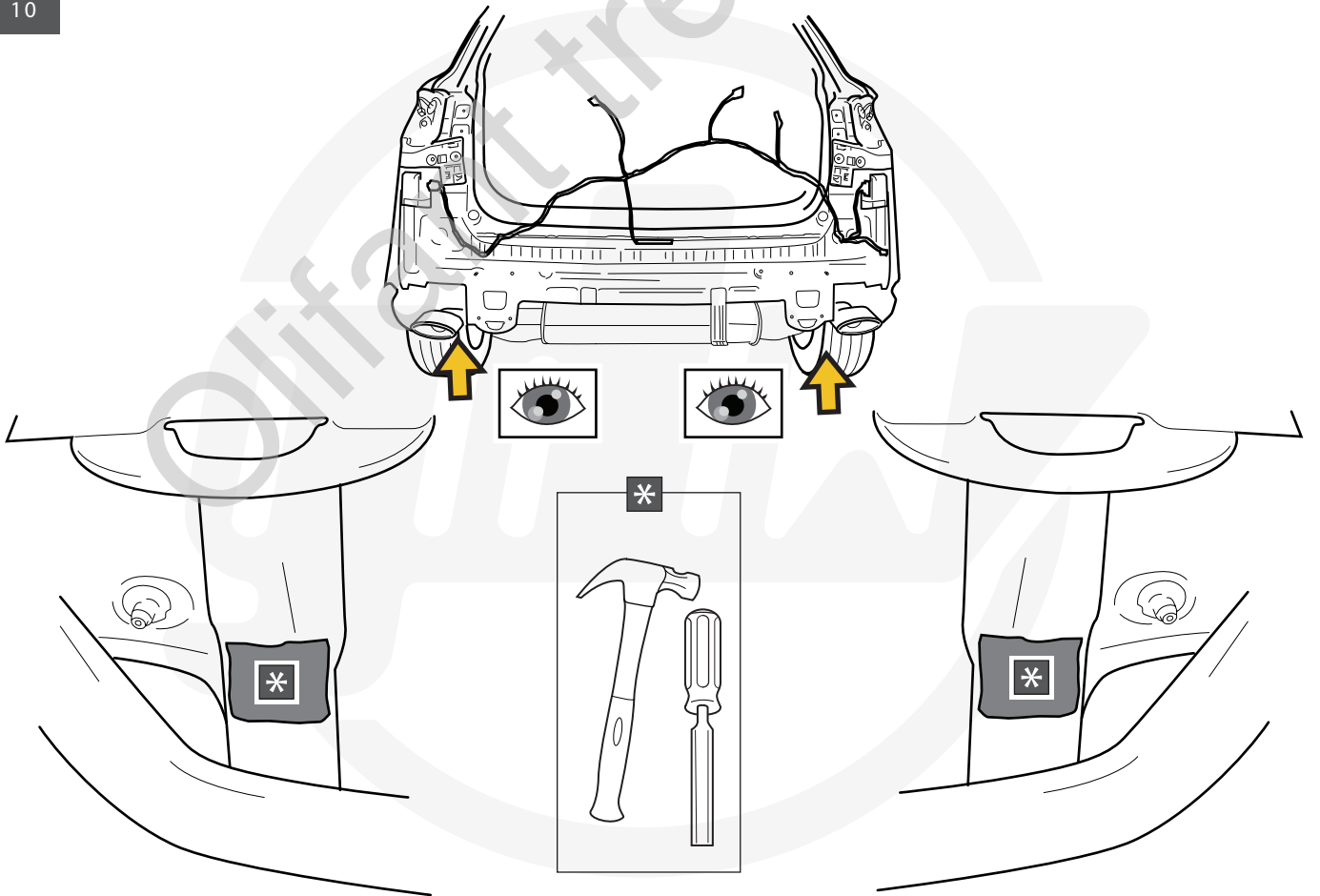
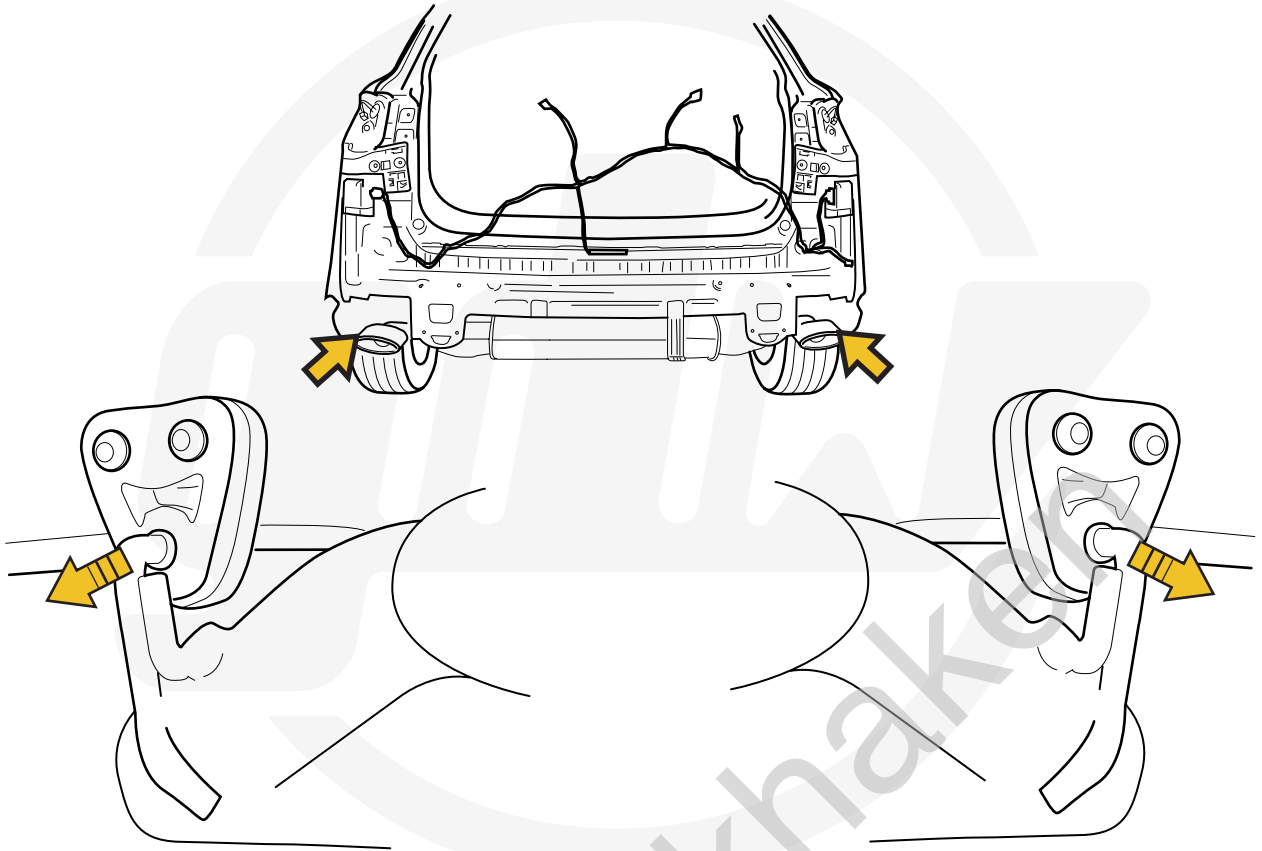


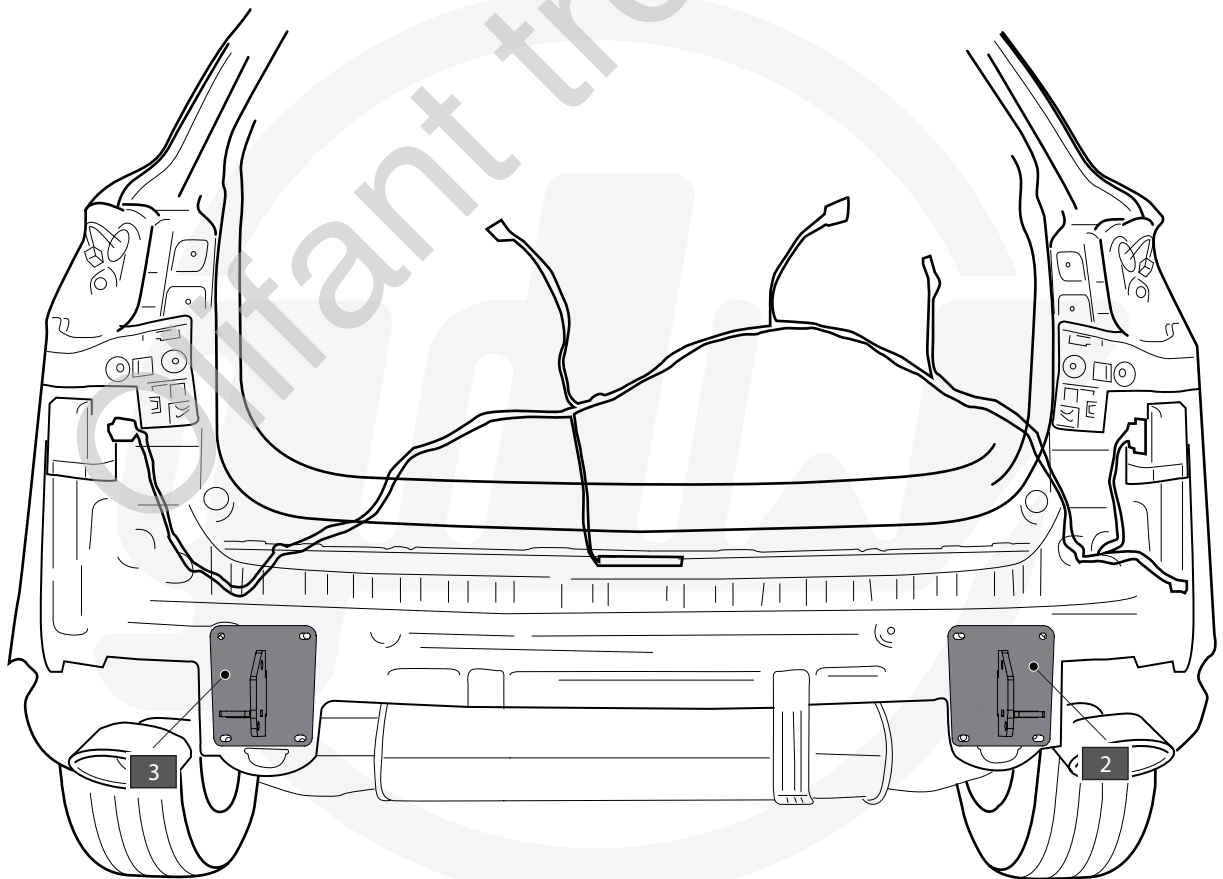
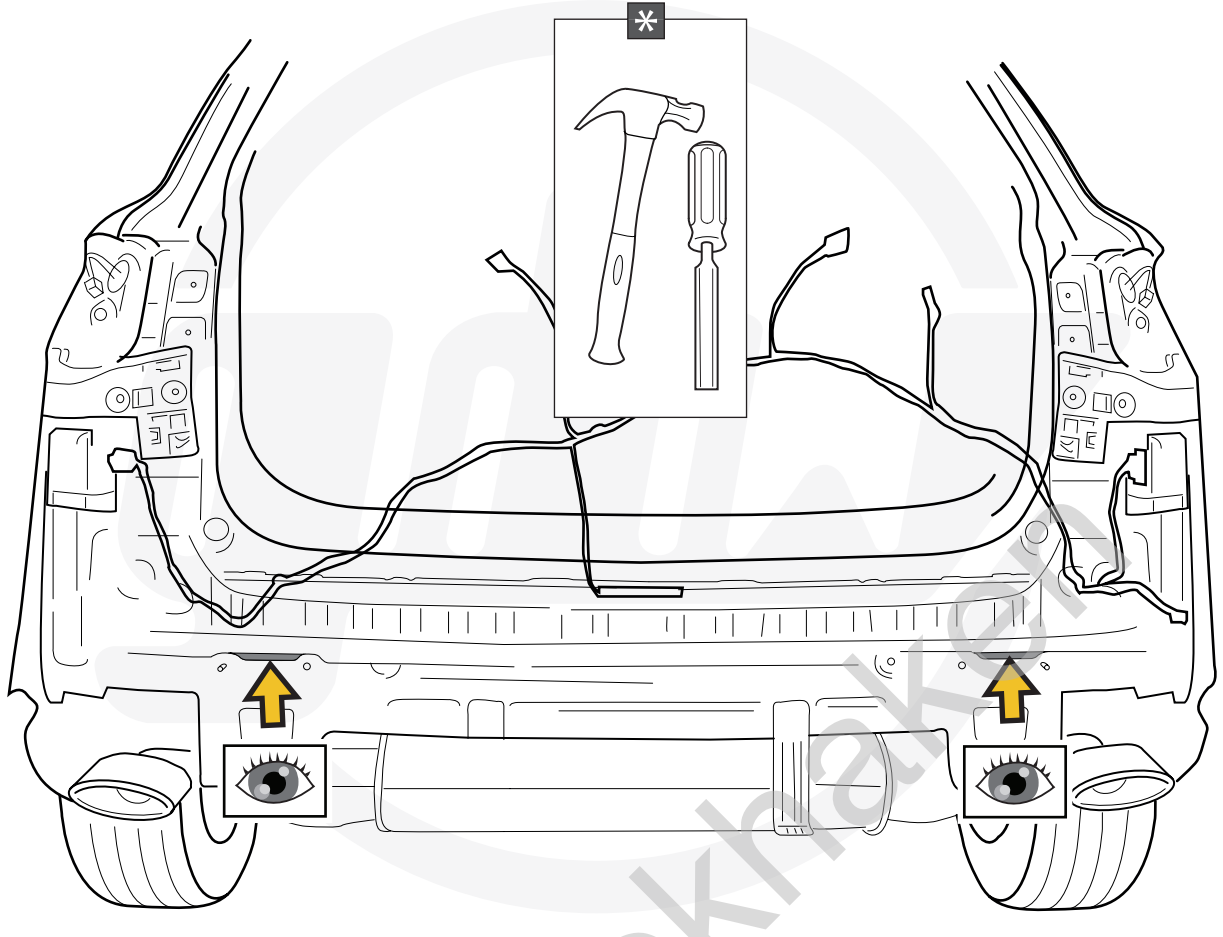
4

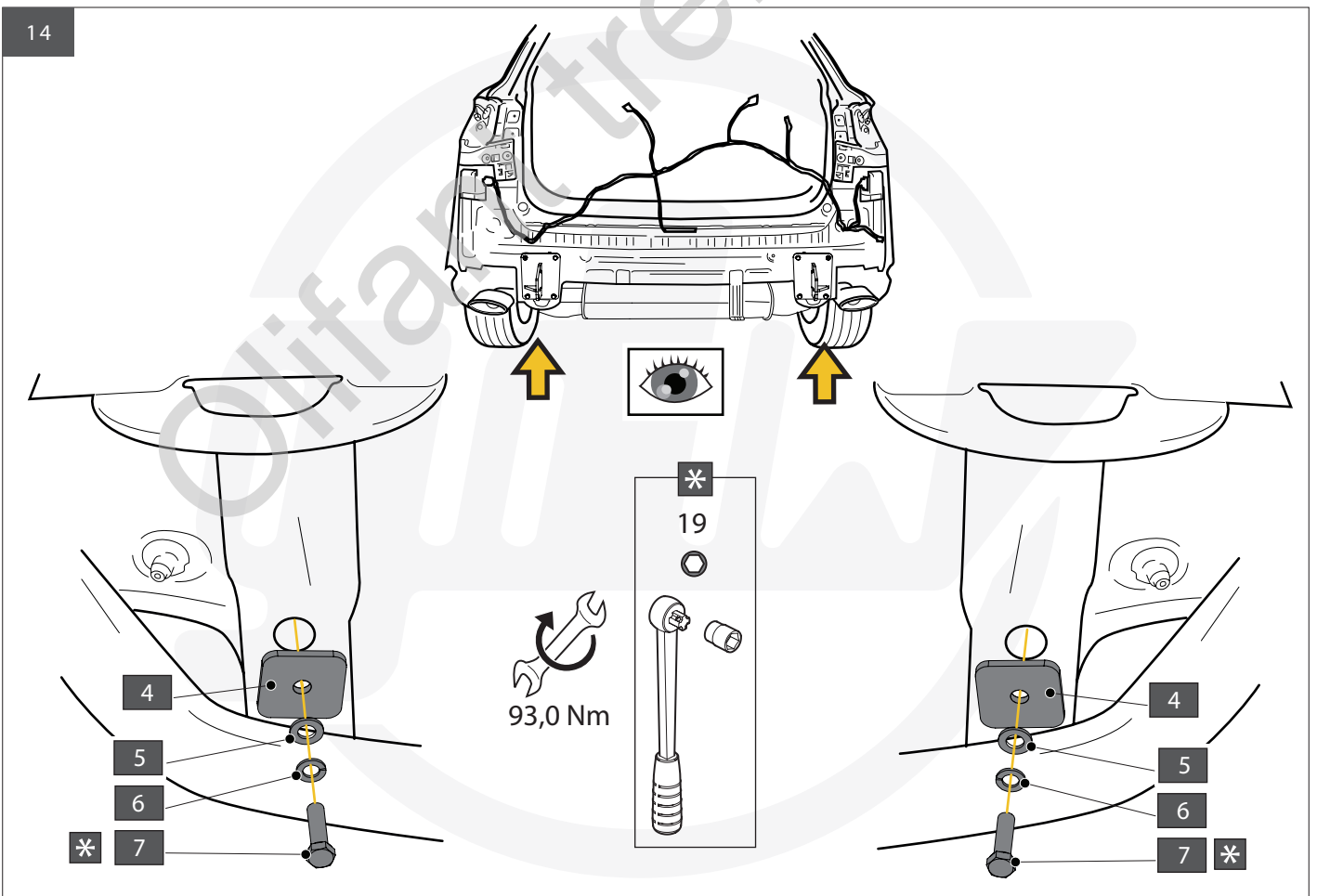
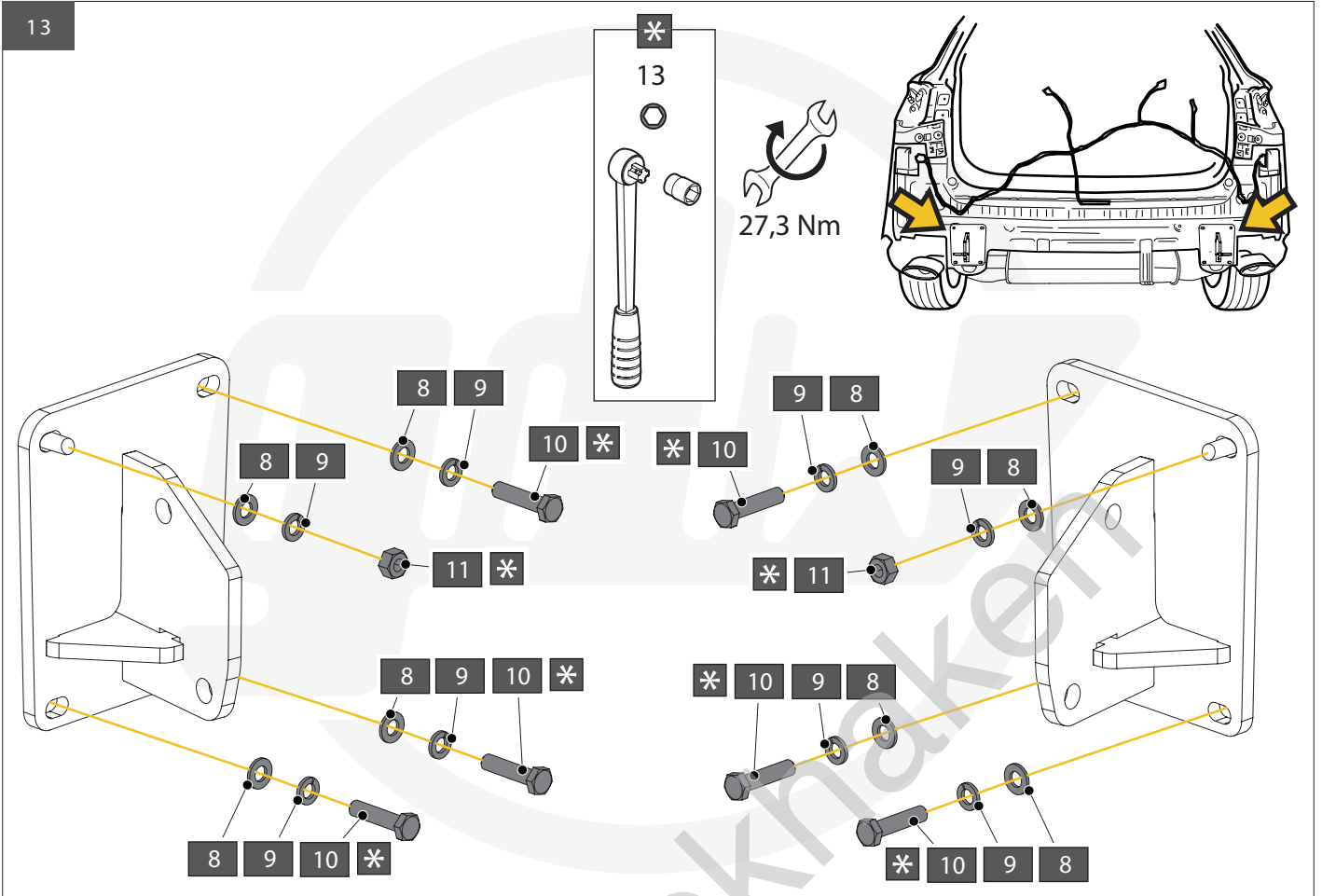


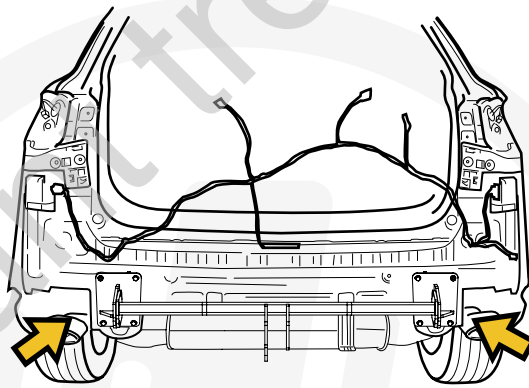
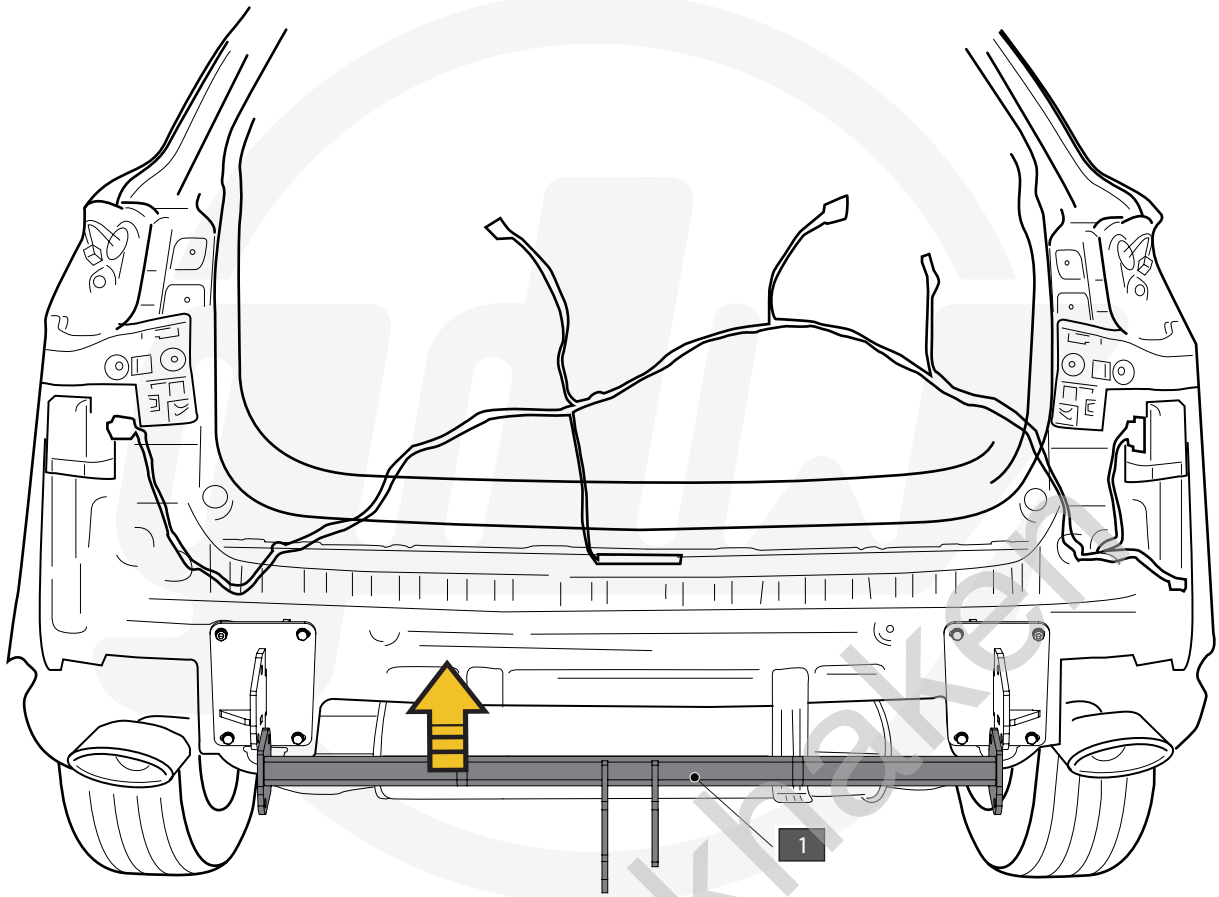




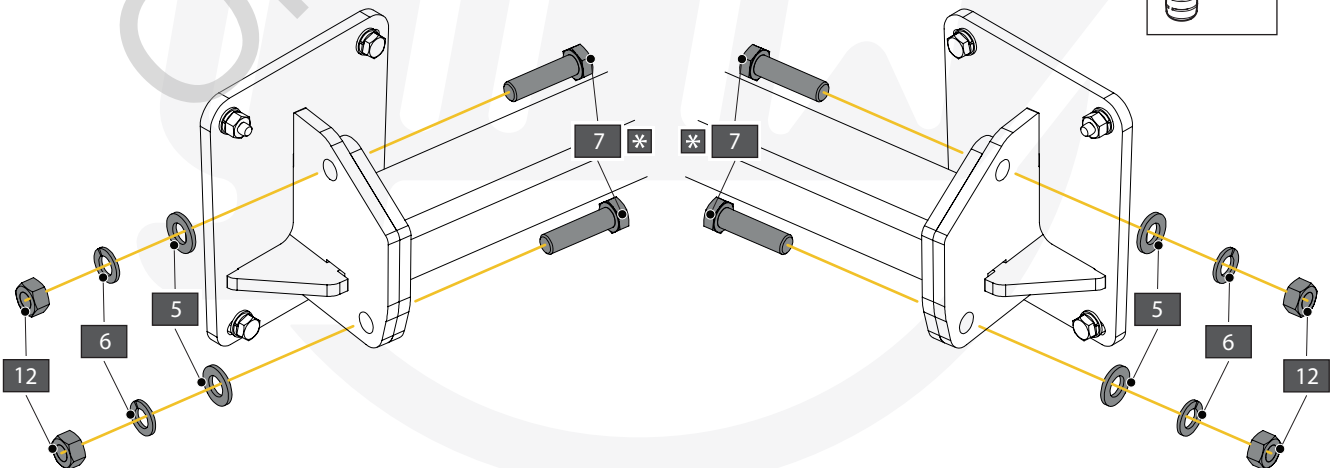
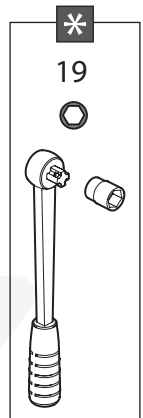




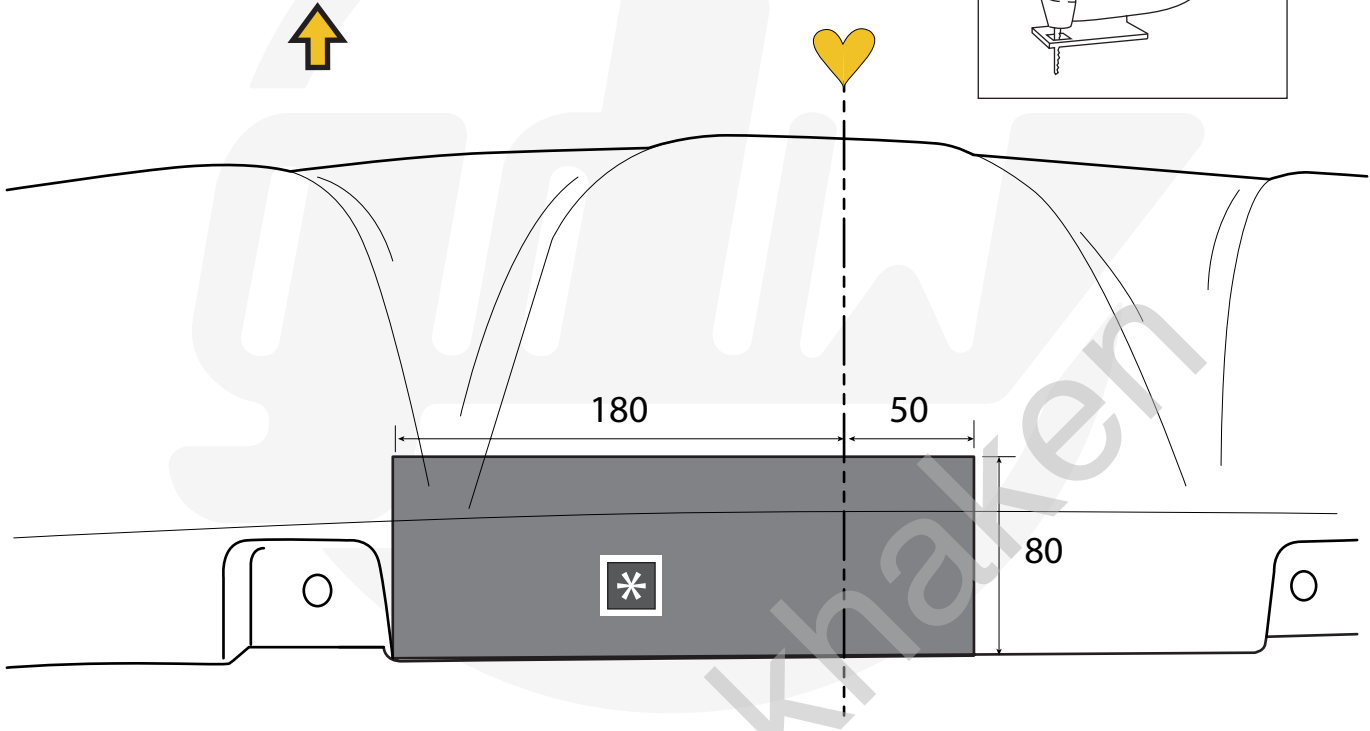
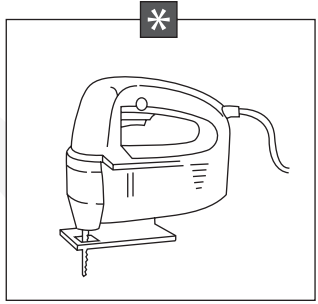
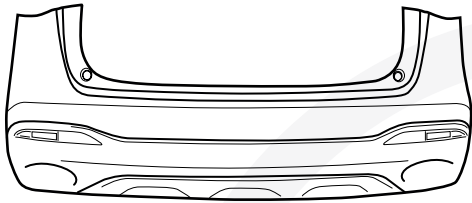




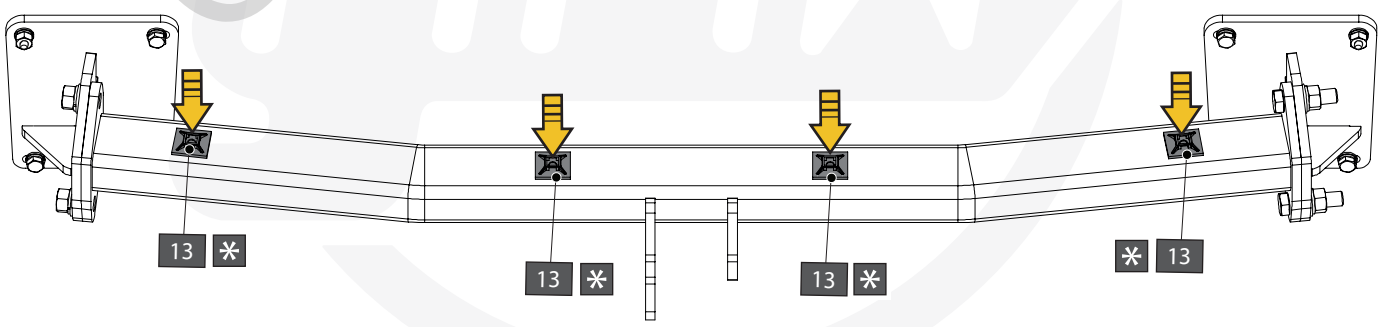
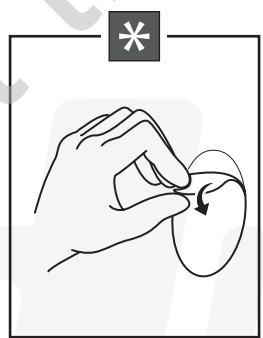

93,0 Nm

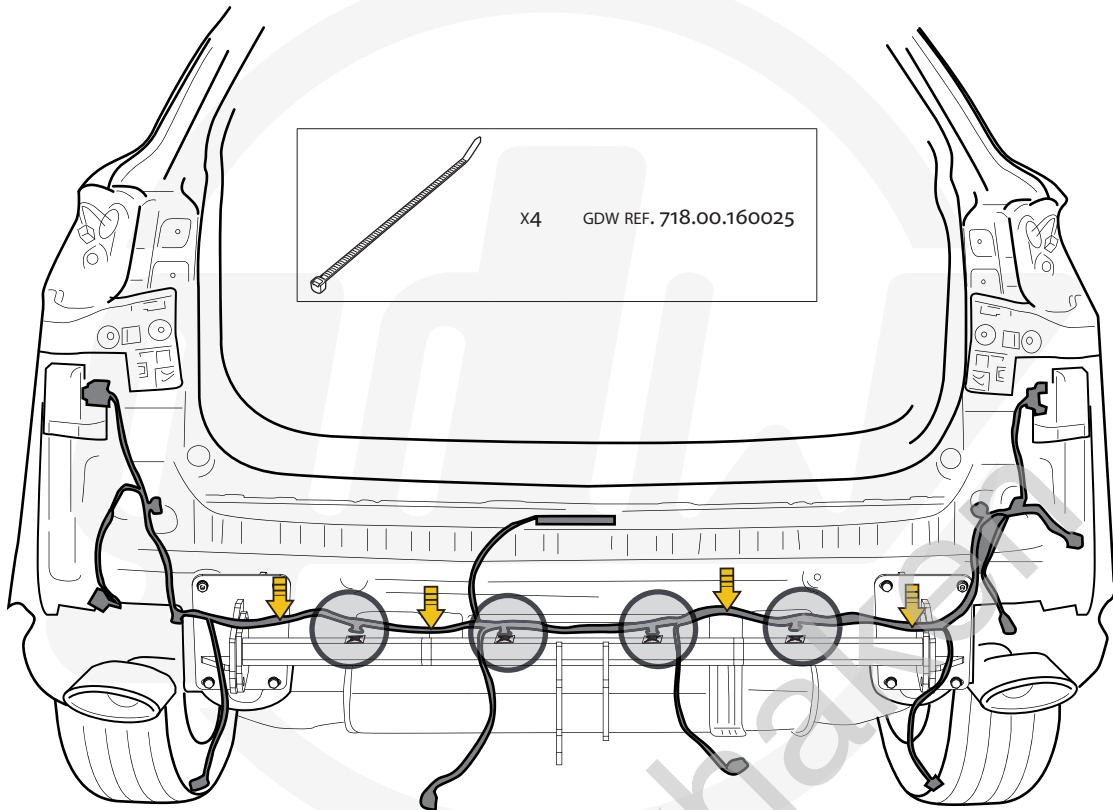







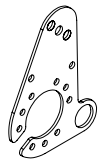

17

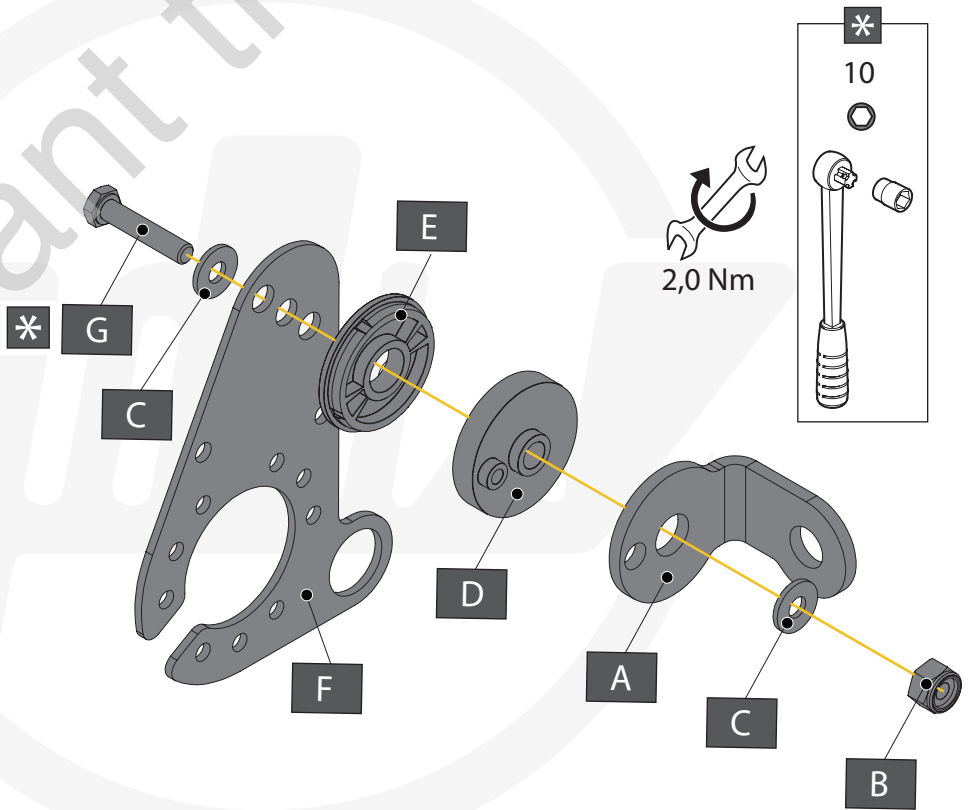


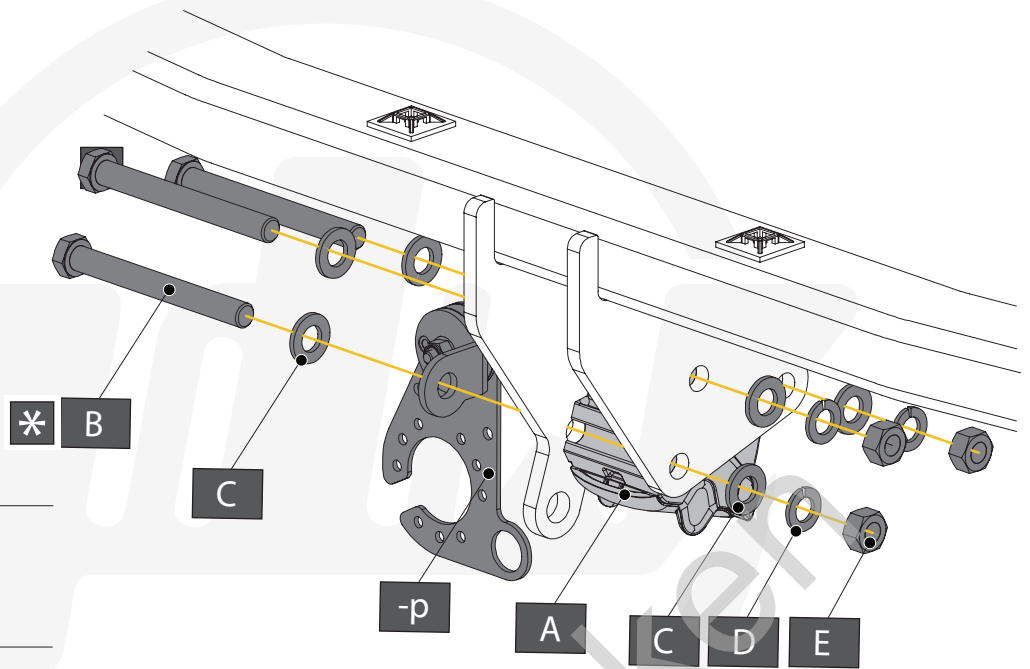
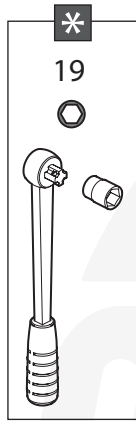
18





A		X1	GDW REF. 2576T60-100
B		X1	DIN985-M6
C		X2	6,2 X 15,4 X 1,6 (NYLON)
D		X1	GDW REF. 718.16.002
E		X1	GDW REF. 718.16.003
F		X1	GDW REF. 908.094
G		X1	DIN933-M6 X 30





A		X1	912.003
B		X3	DIN931-M12X110
C		X6	DIN125A-M12
D		X3	DIN128A-M12
E		X3	DIN934-M12

