



TREKHAKEN • ATTELAGES • ANHÄNGERVORRICHTUNGEN • TOWBARS • ENHANCES • ANHÆNGERTRÆK
Montagehandleiding | instructions de montage | Einbauanleitung | Mounting instruction
Instrucciones de montaje | monteringsvejledning

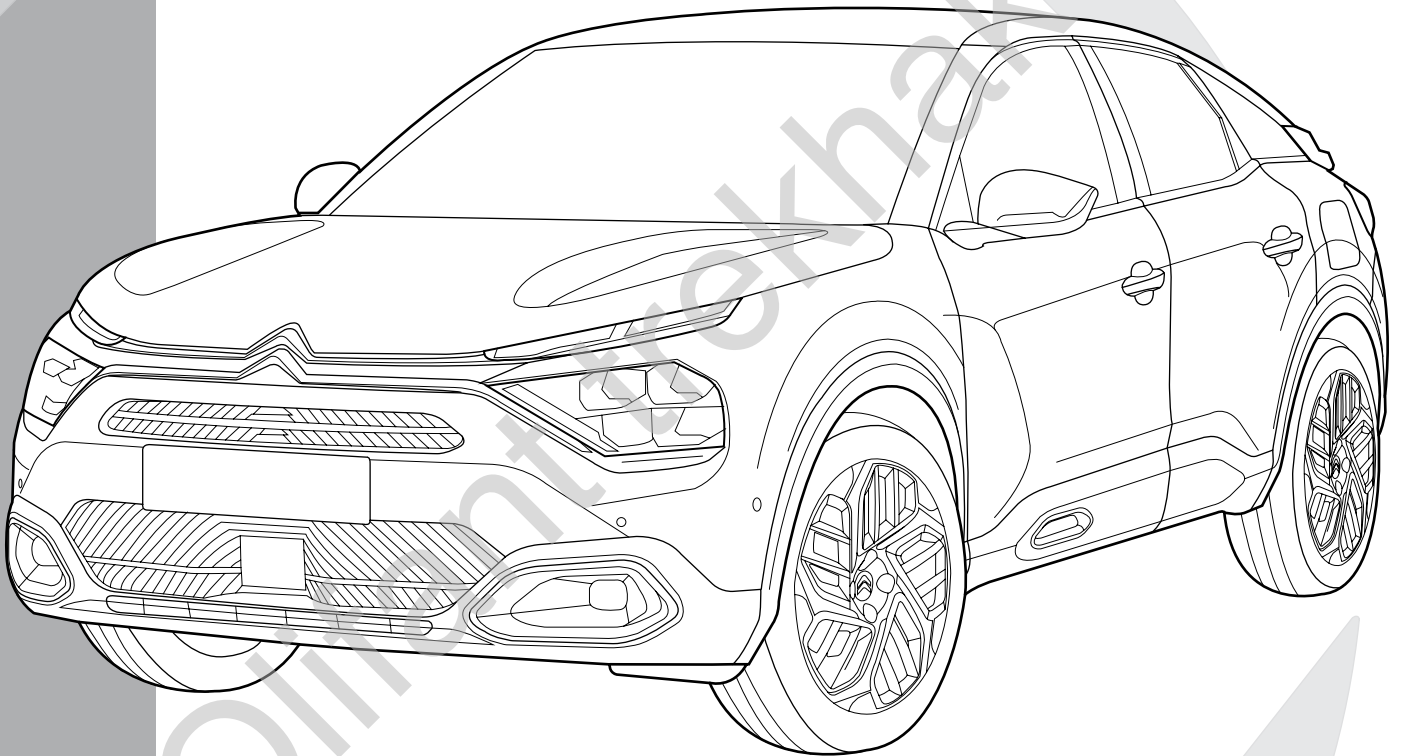


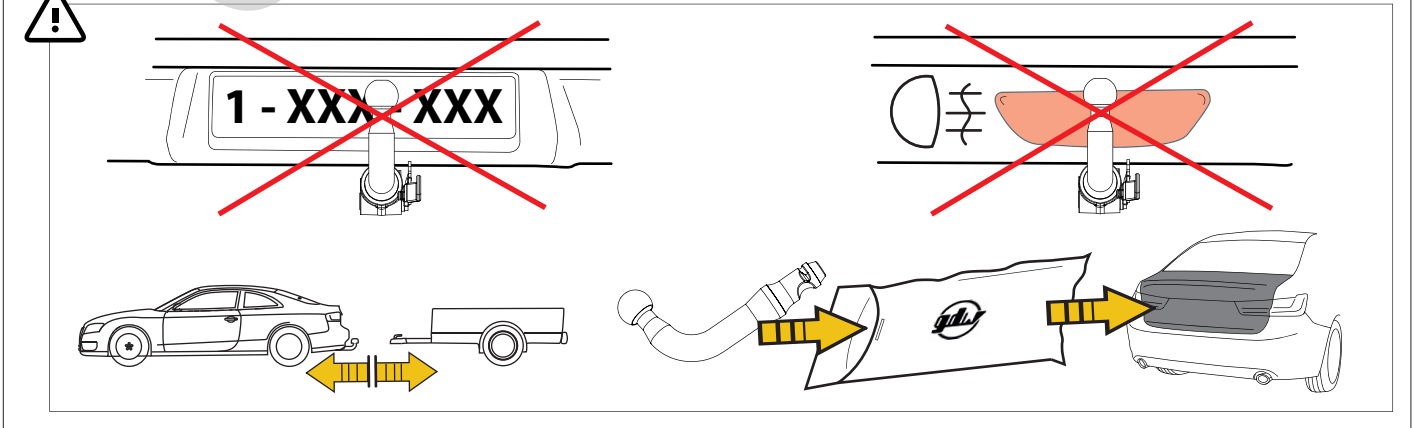
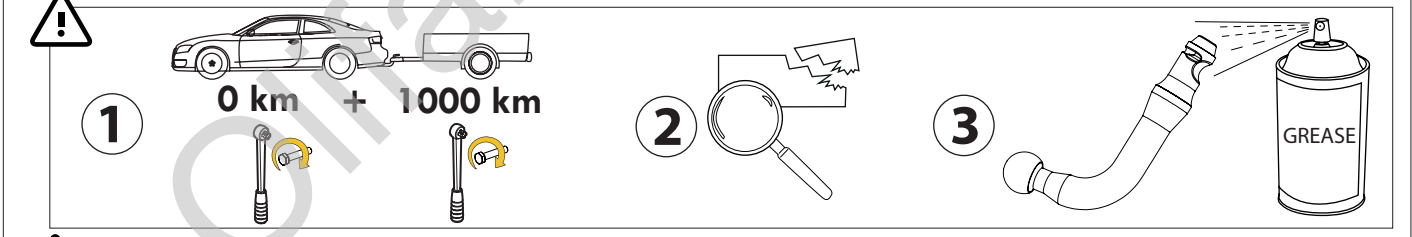
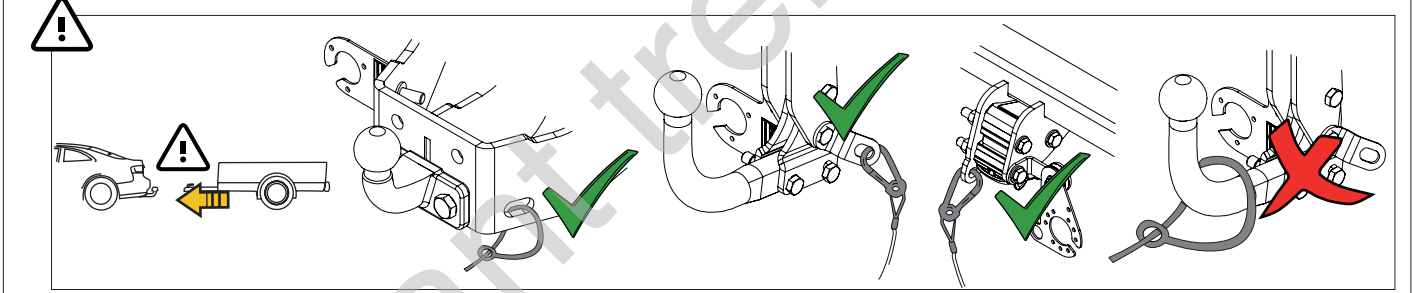
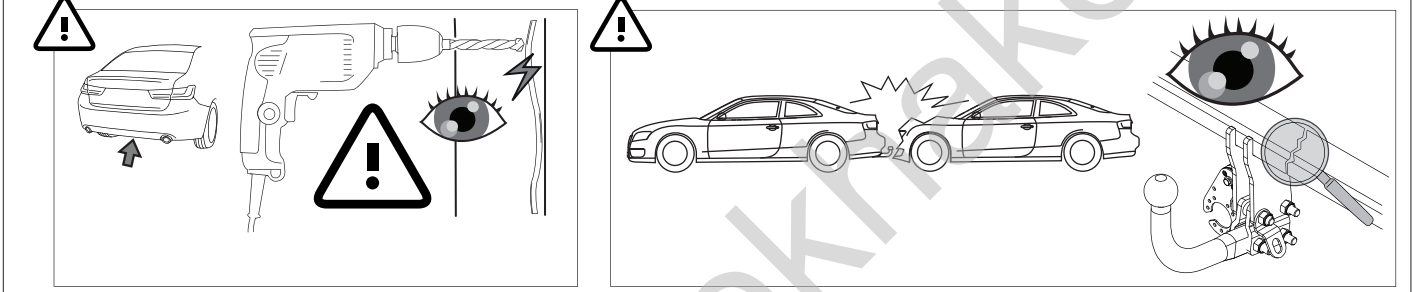
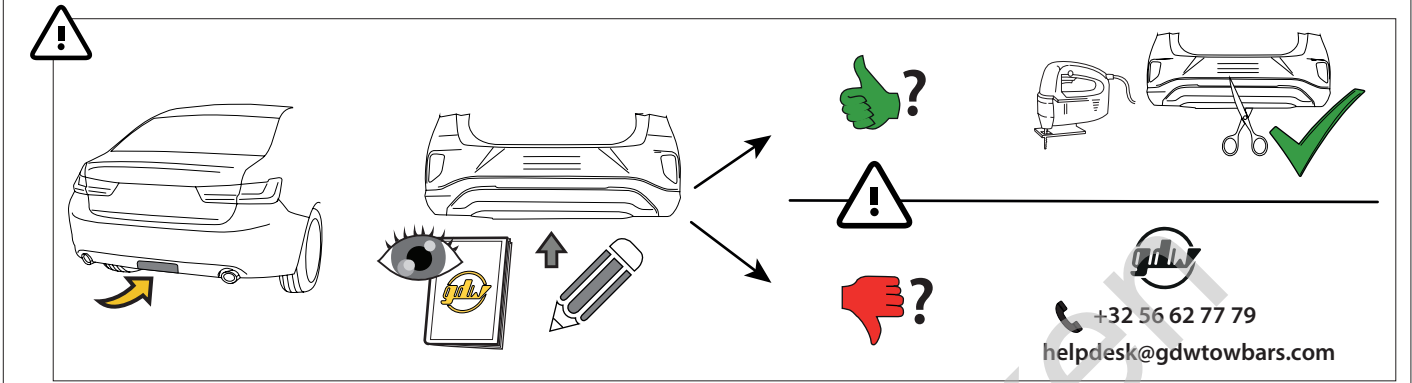
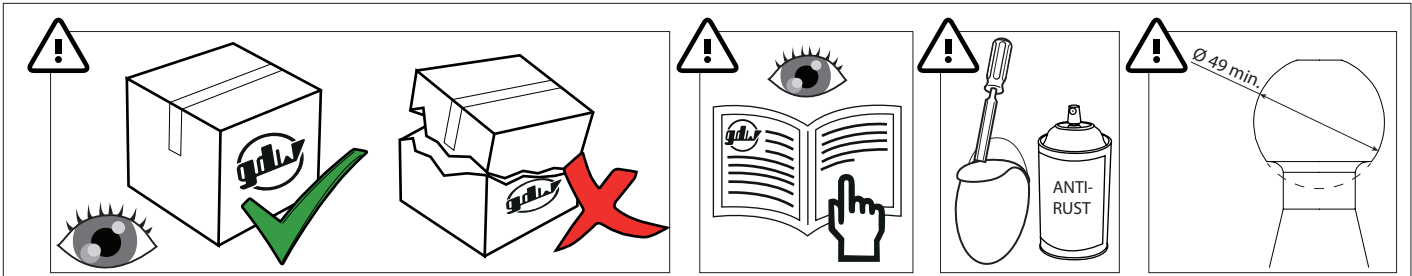
Citroën C4 III

10/'20 -

✓ STANDARD

✓ AD BLUE





MADE BY



D 8,40

F

E6

BELGIUM

S 90

EC-N°

55R-02 1673

REF N°

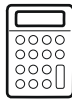
2571T60

SERIAL N°

XXXX

DESCRIPTION

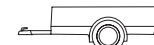
Citroën C4 III 10/20-



D =



max kg



max kg

X

X 0.00981 ≤ 8,40 kN

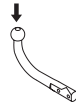


max kg

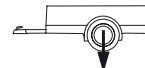
+

max kg

S =



≤ 90 kg



≤ 1200 kg

See the Certificate Of Conformity (COC) of your vehicle or contact your dealer to verify the max. trailer weight of your car!

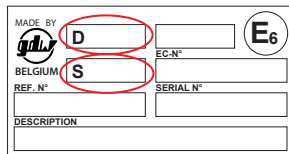
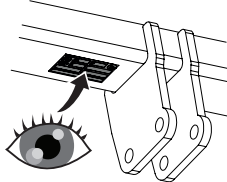


MAX KG

MAX KG



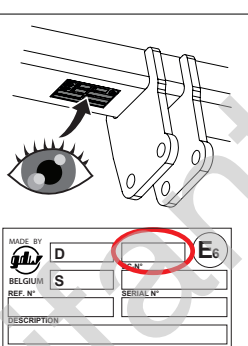
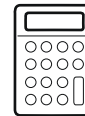
↓ MAX KG



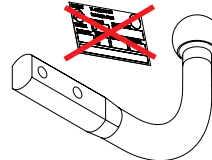
≥



D-VALUE
S-LOAD

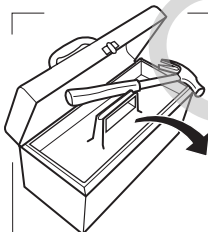
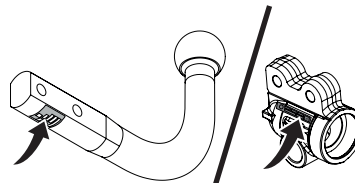


A50-X?



F?

+



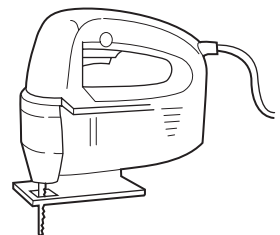
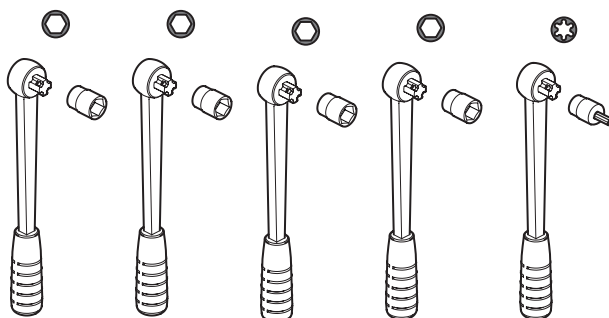
10

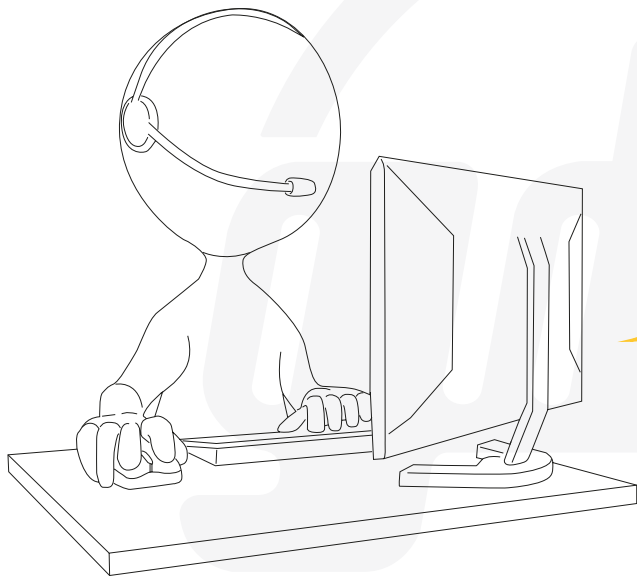
13

17

19

TX15

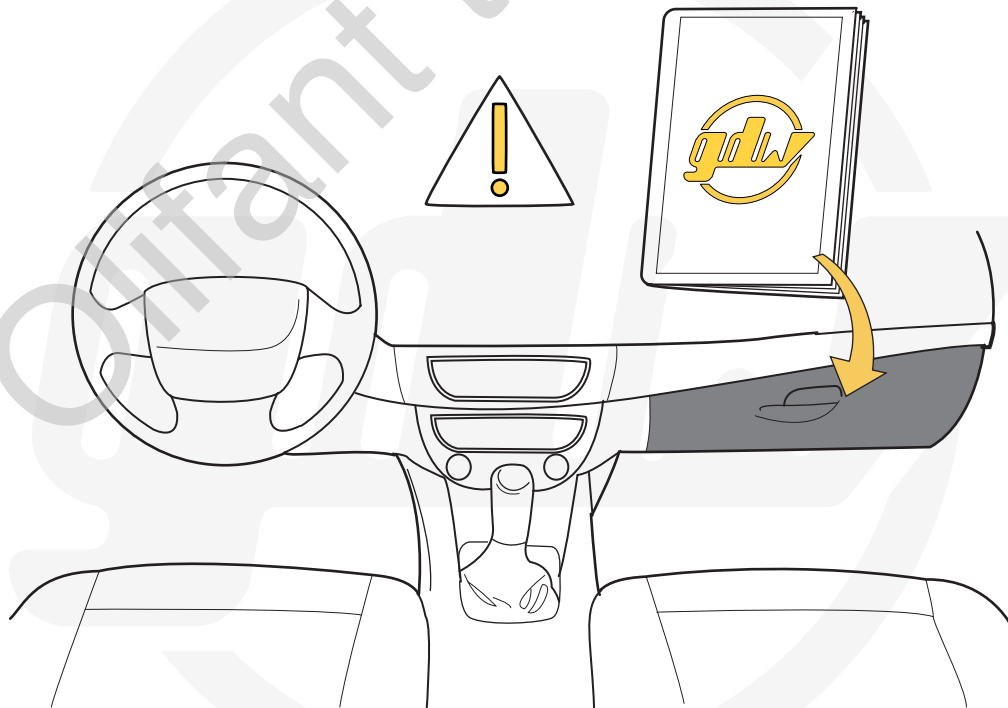


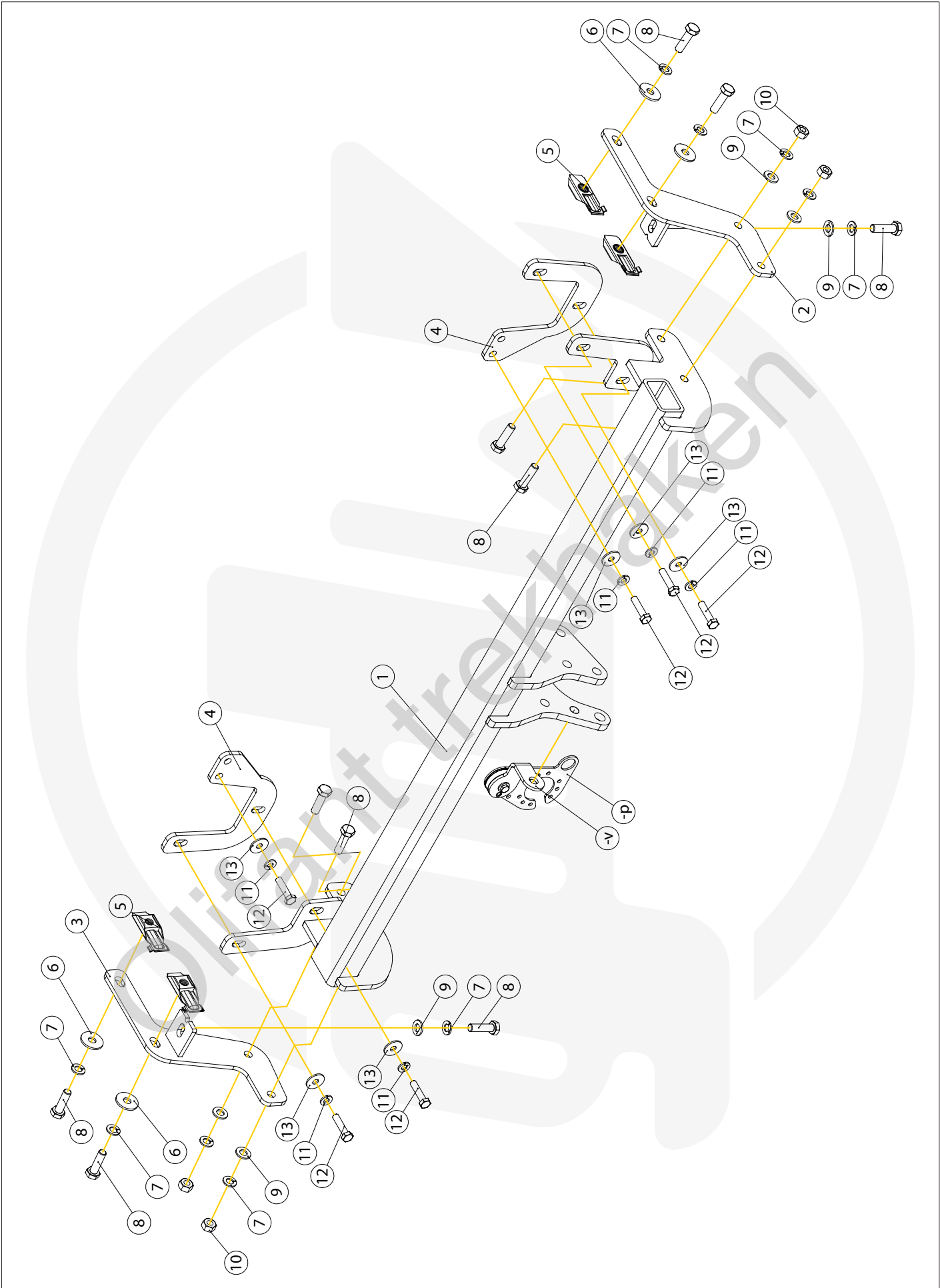


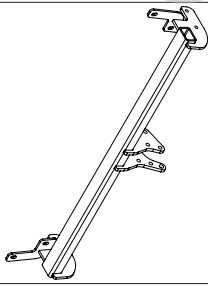
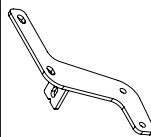
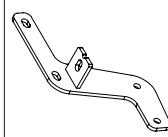
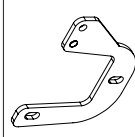
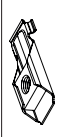



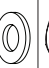





helpdesk@gdwtowbars.com

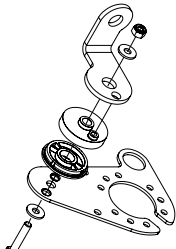




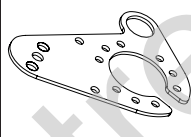


+32 56 62 77 79

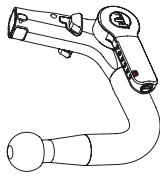
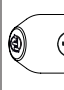
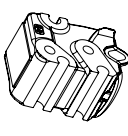


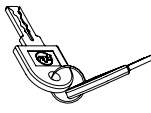




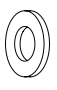
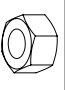
| | | |
|-----------|---------------|---------------|
| Monday | 08:00 - 12:00 | 12:30 - 16:30 |
| Tuesday | 08:00 - 12:00 | 12:30 - 16:30 |
| Wednesday | 08:00 - 12:00 | 12:30 - 16:30 |
| Thursday | 08:00 - 12:00 | 12:30 - 16:30 |
| Friday | 08:00 - 12:00 | 12:30 - 15:30 |

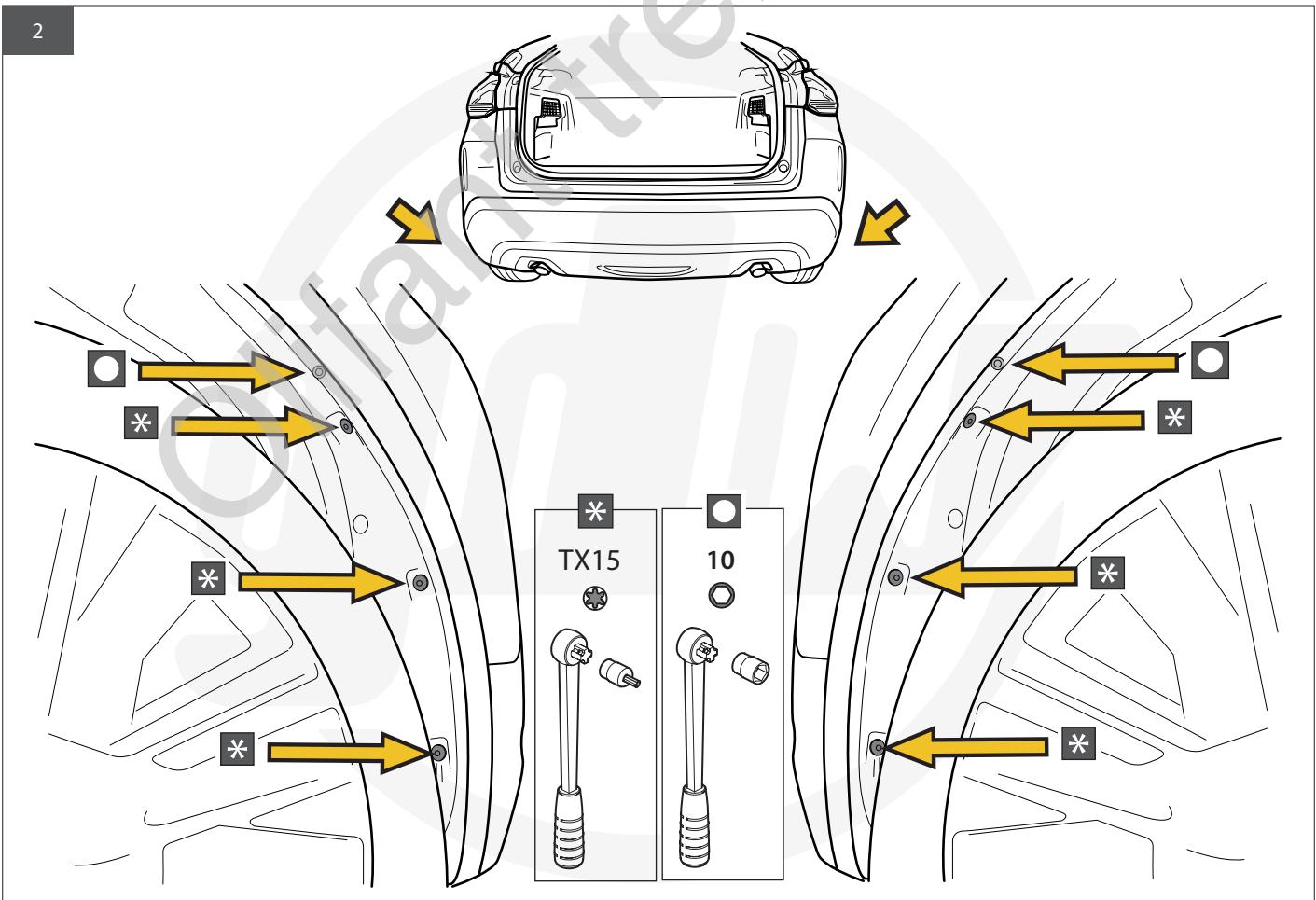
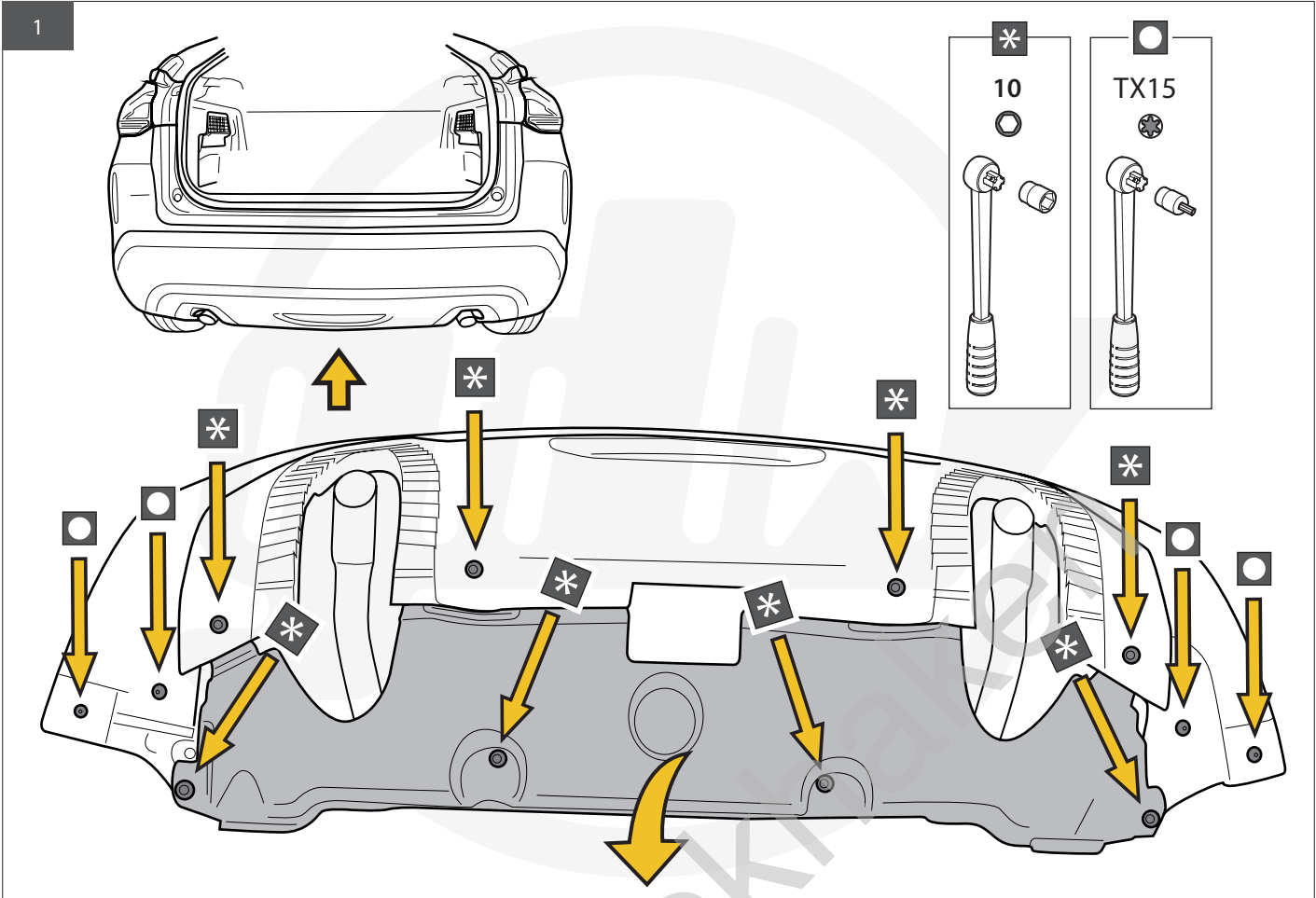


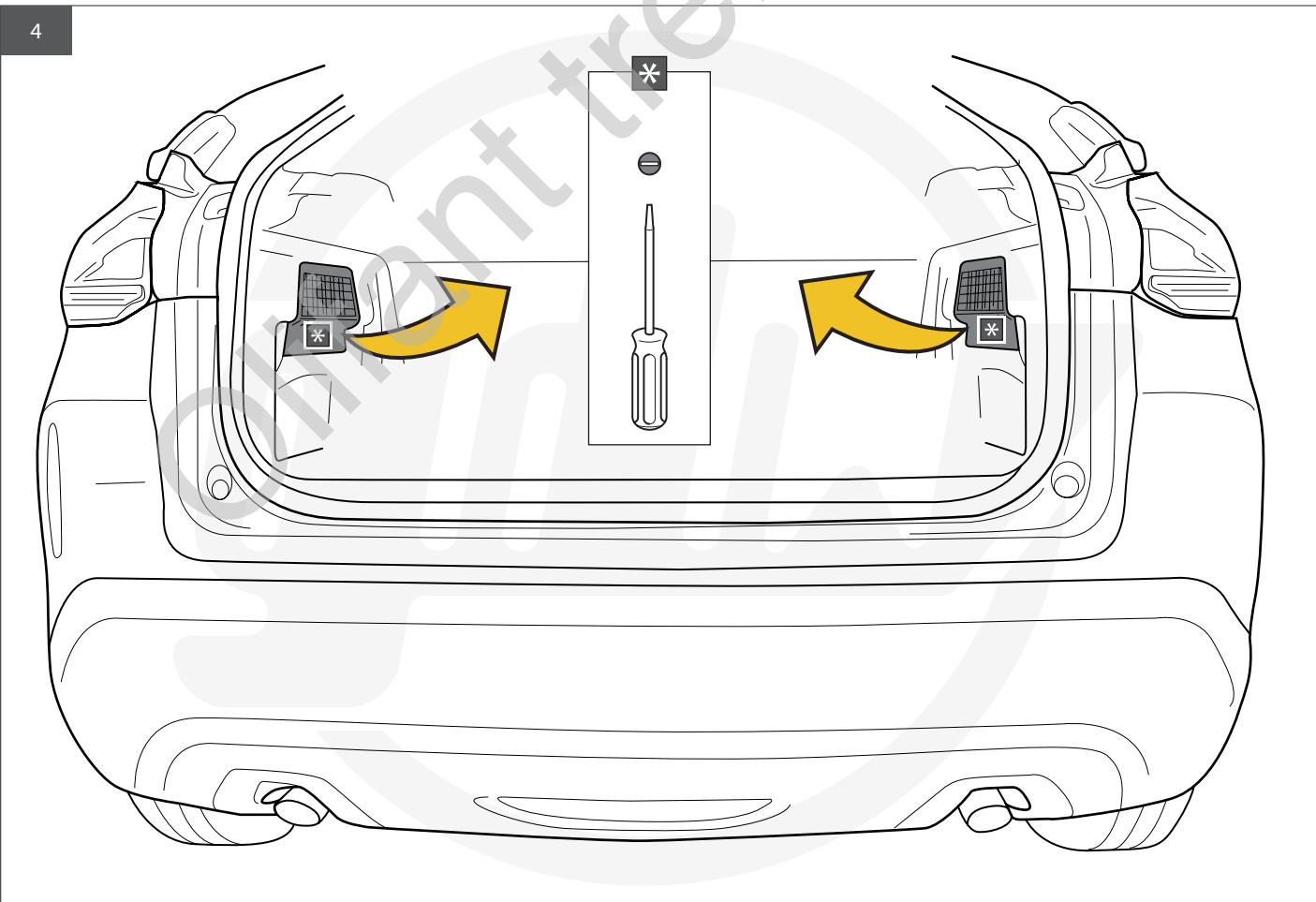
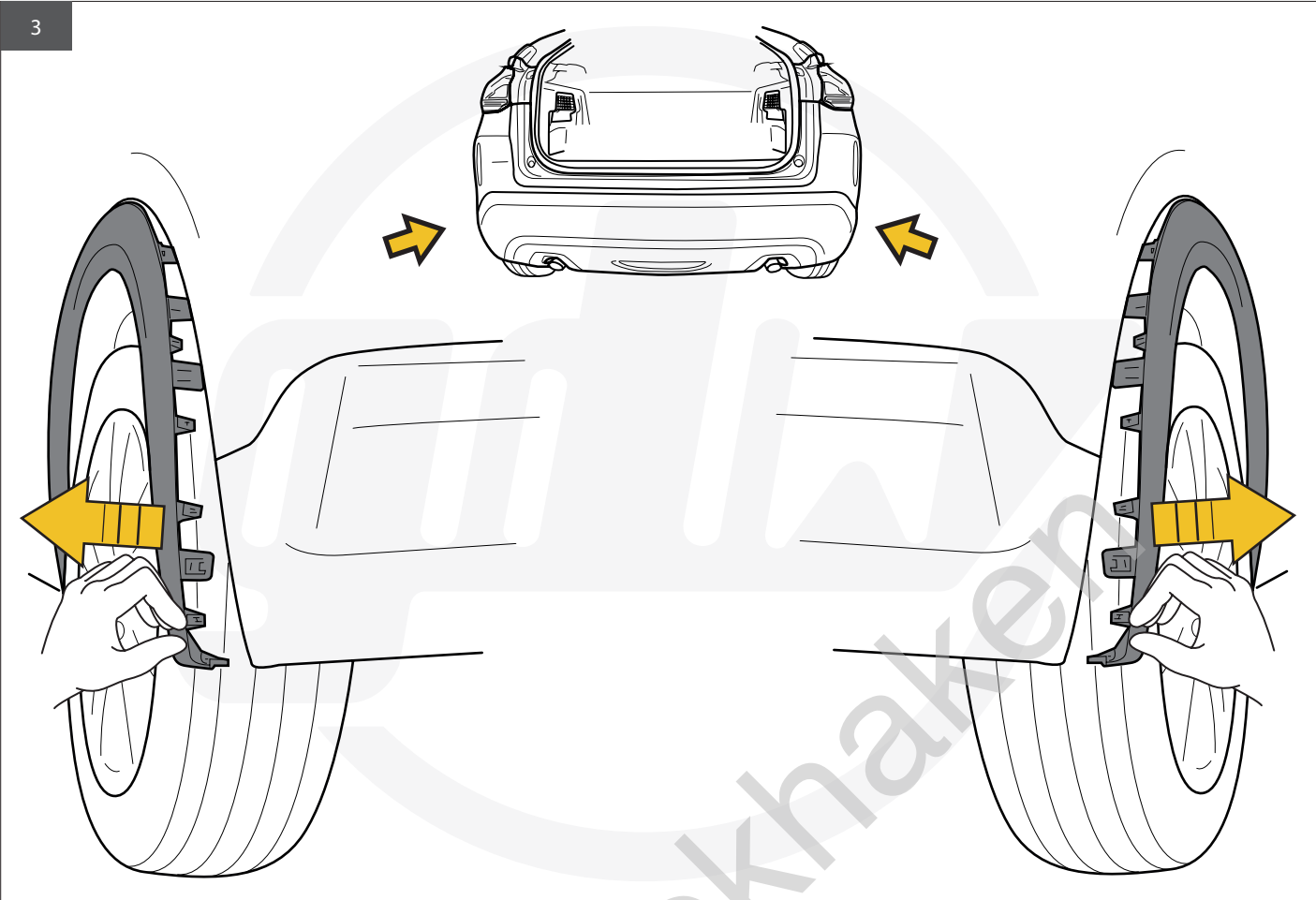


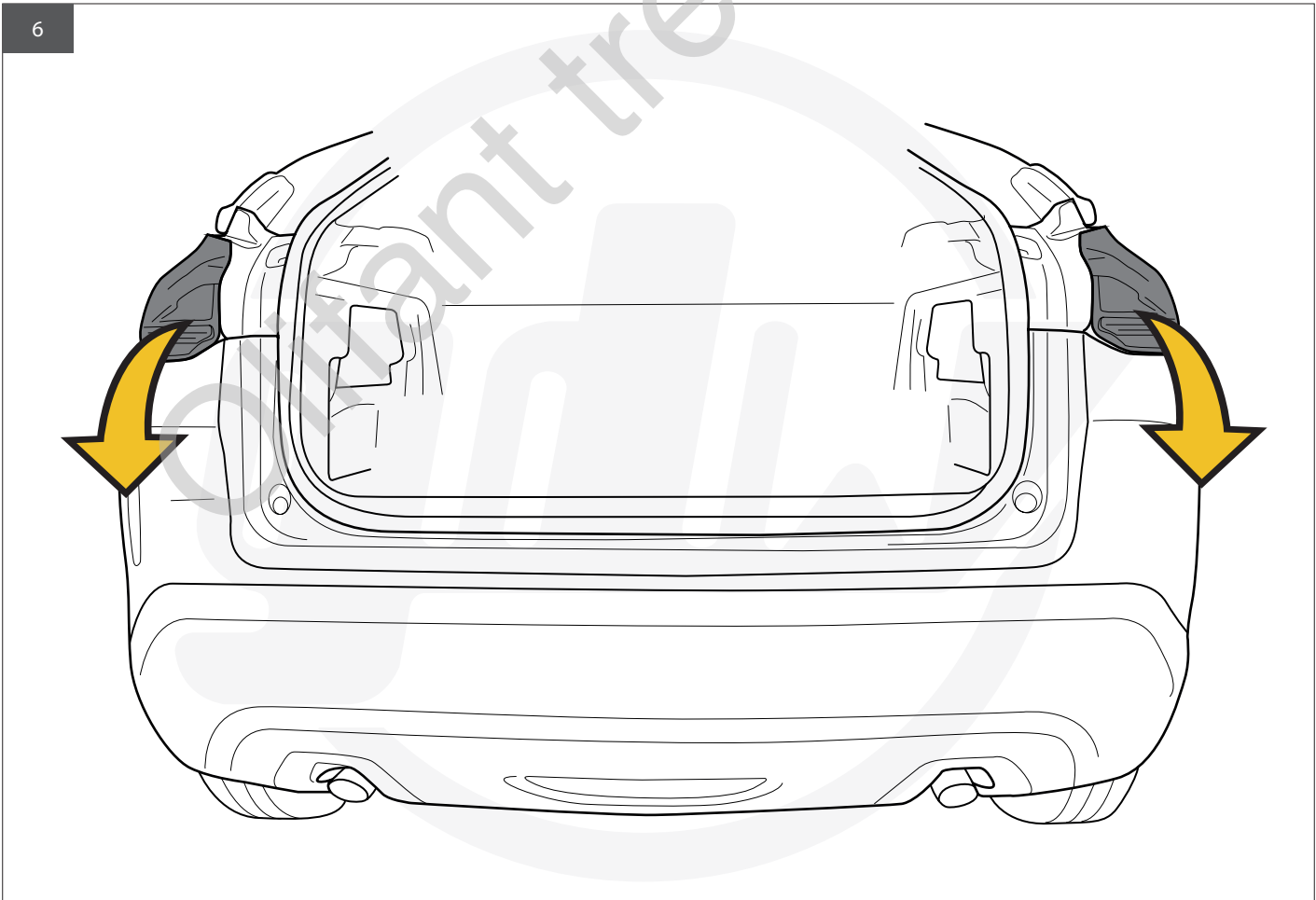
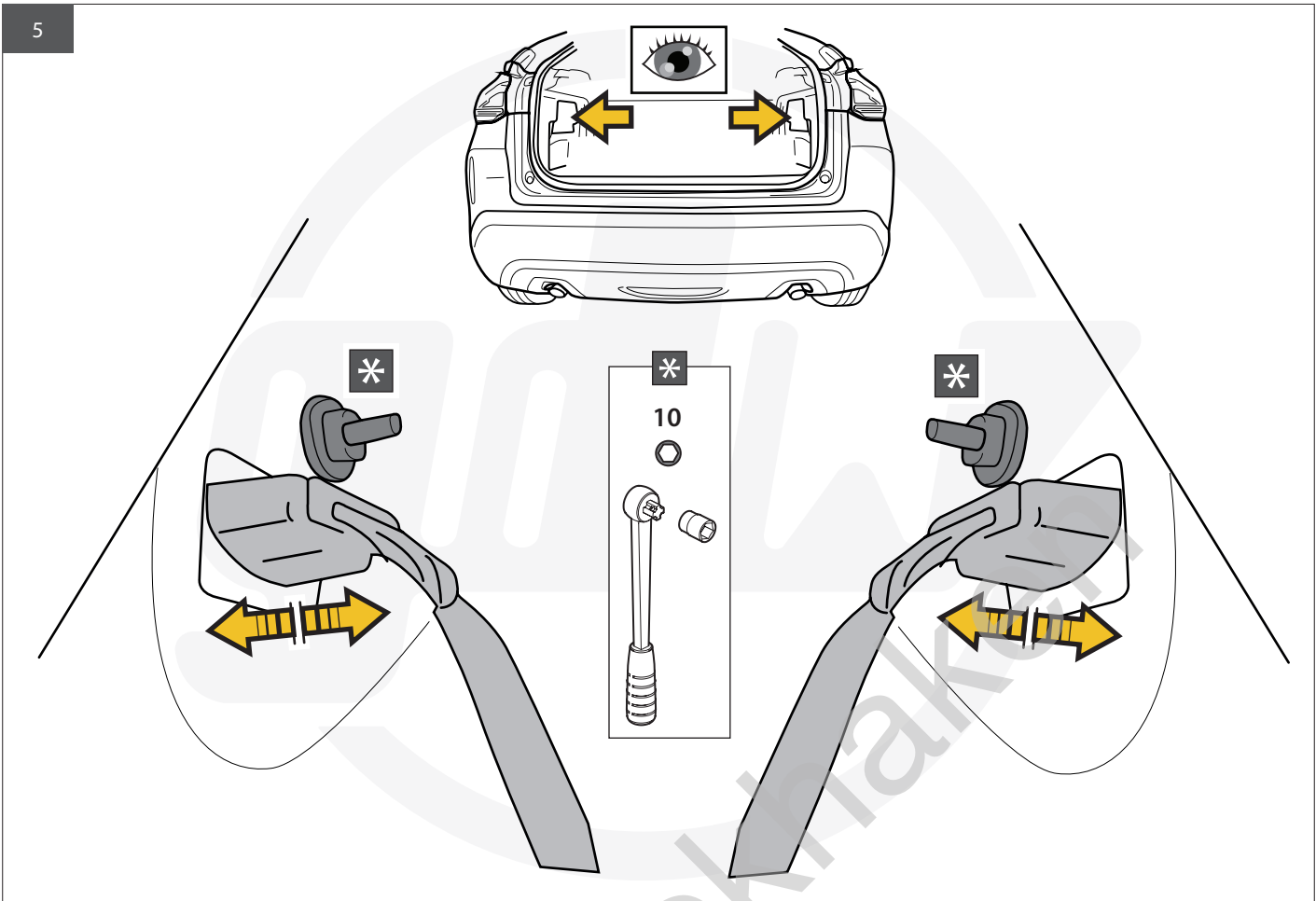
| | | | |
|----|---|-----|------------------------------|
| 1 |  | X1 | GDW REF. 2571160 |
| 2 |  | X1 | GDW REF. 2 |
| 3 |  | X1 | GDW REF. 3 |
| 4 |  | X2 | GDW REF. 4 |
| 5 |  | X4 | M10-CL4870-1-150 |
| 6 |  | X4 | DIN9021-M10-ELVZ |
| 7 |  | X10 | DIN128A-M10 |
| 8 |  | X10 | DIN933-M10 X 35 |
| 9 |  | X6 | DIN125-A10-14OHV- ELVZ |
| 10 |  | X4 | DIN934-M10 |
| 11 |  | X6 | DIN128A-M8 |
| 12 |  | X6 | DIN933-M8 X 35 |
| 13 |  | X6 | DIN9021-M8 Ø 25 X 8.4 X 2 |
| -V |  | X1 | GDW REF. 908.095 |

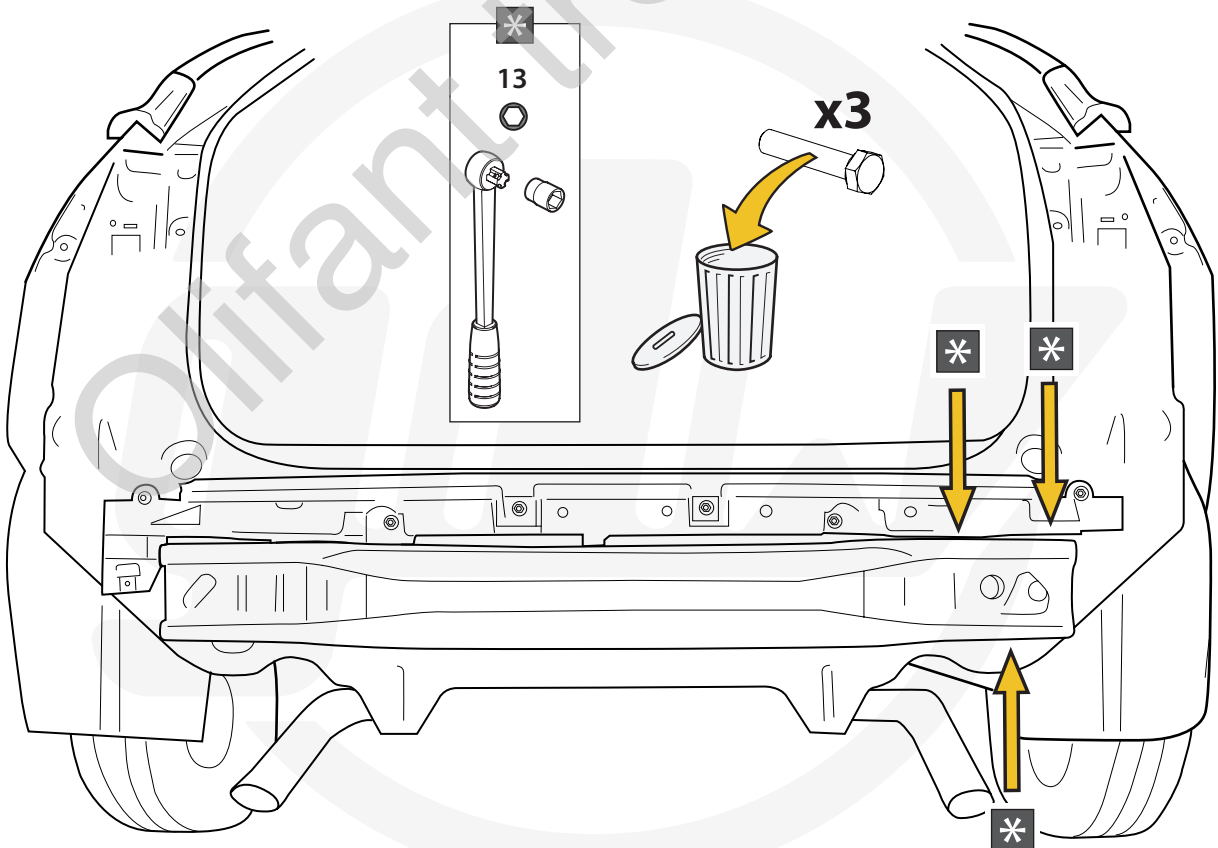
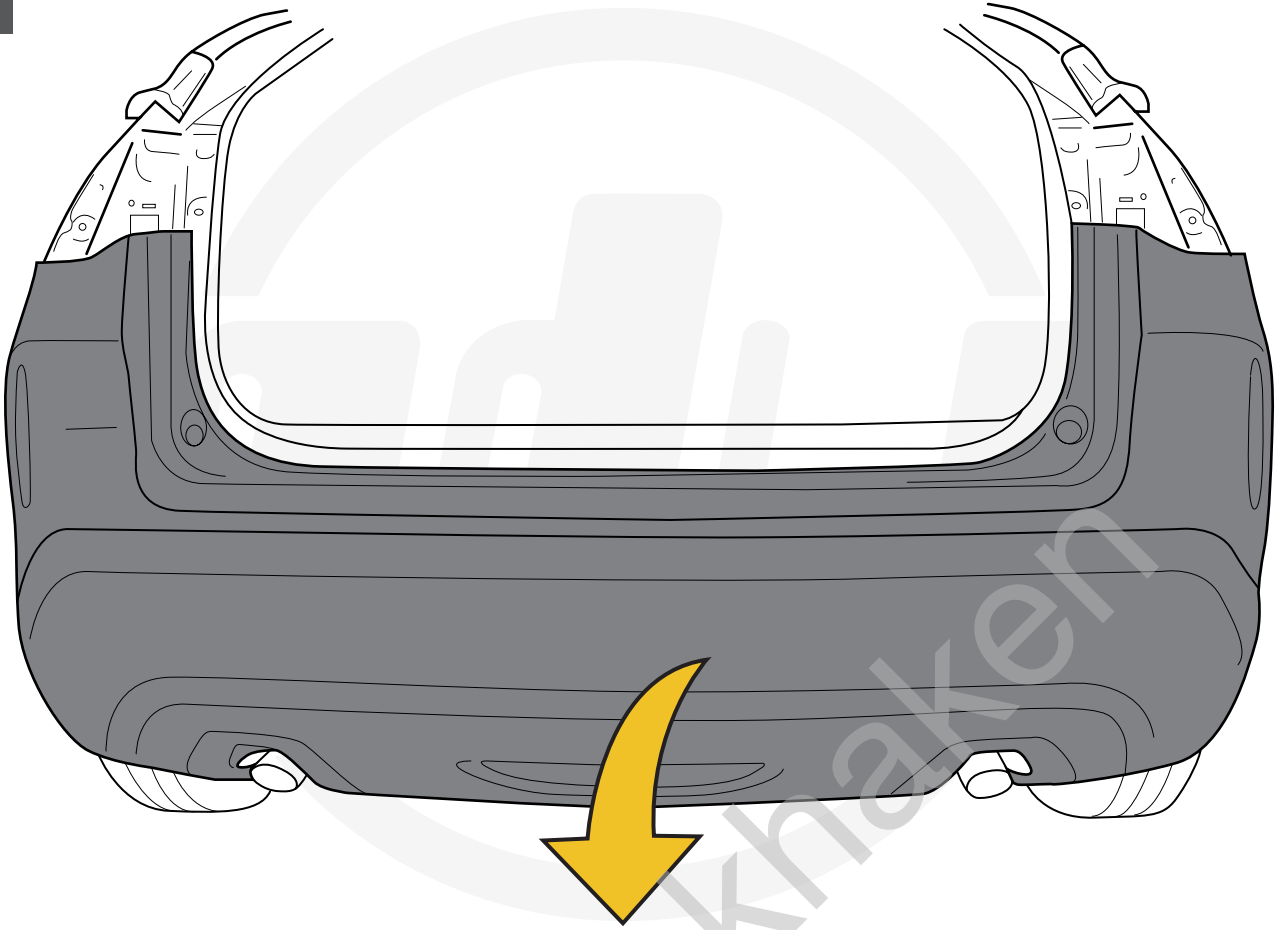
| | | | |
|----|---|----|--------------------------|
| -P |  | X1 | GDW REF. P39 |
| ↳ |  | X1 | DIN985-M6 |
| ↳ |  | X2 | 6,2 X 15,4 X 1,6 (NYLON) |
| ↳ |  | X1 | GDW REF. 718.16.002 |
| ↳ |  | X1 | GDW REF. 718.16.003 |
| ↳ |  | X1 | GDW REF. 908.094 |
| ↳ |  | X1 | DIN933-M6 X 30 |
| ↳ |  | X1 | GDW REF. 908.095 |

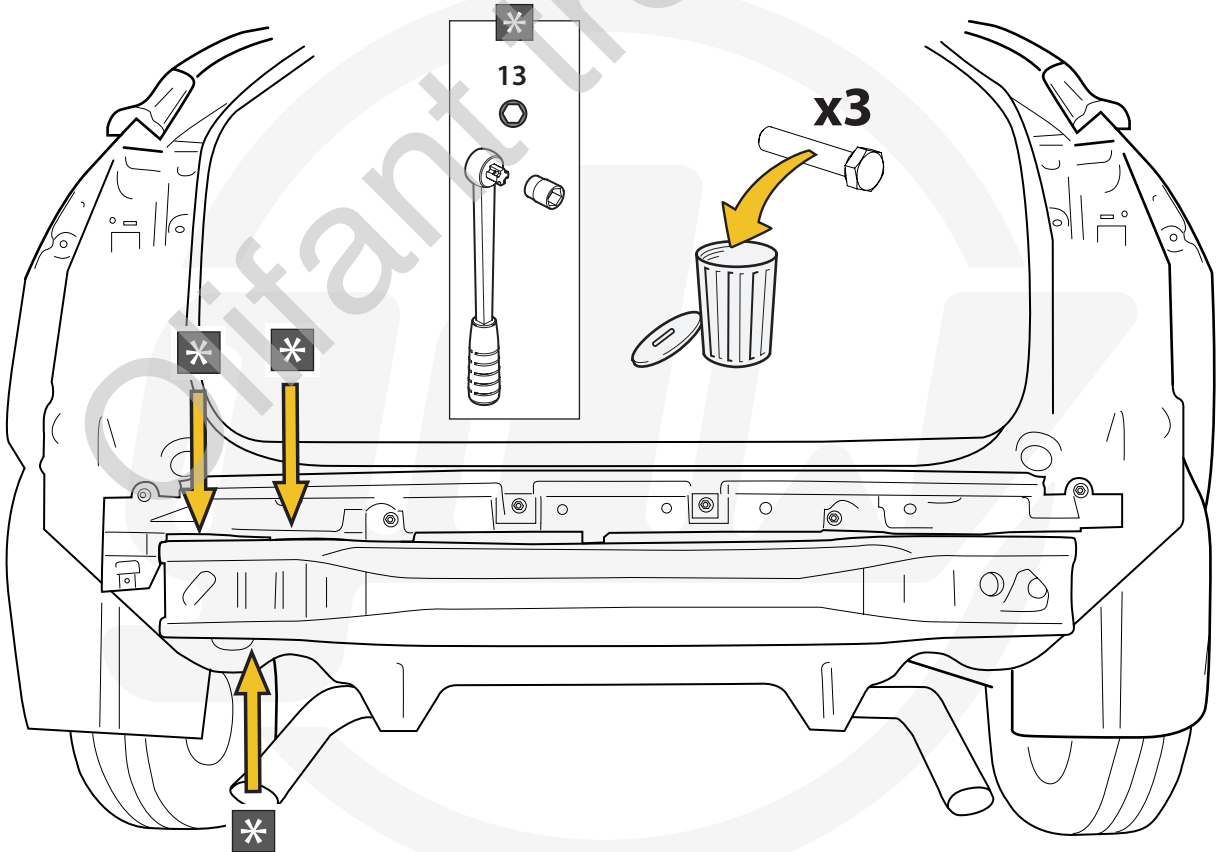
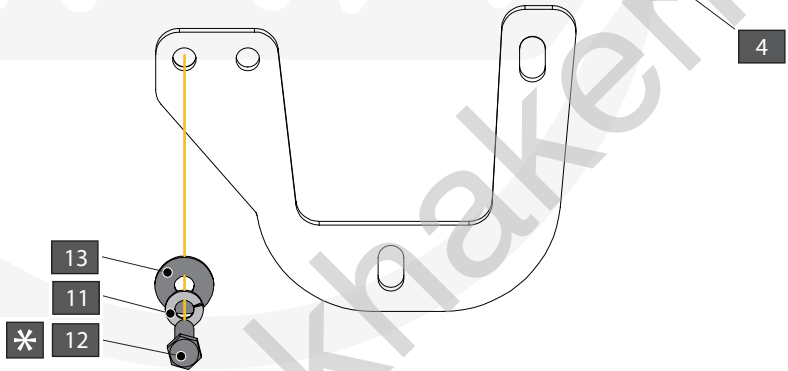
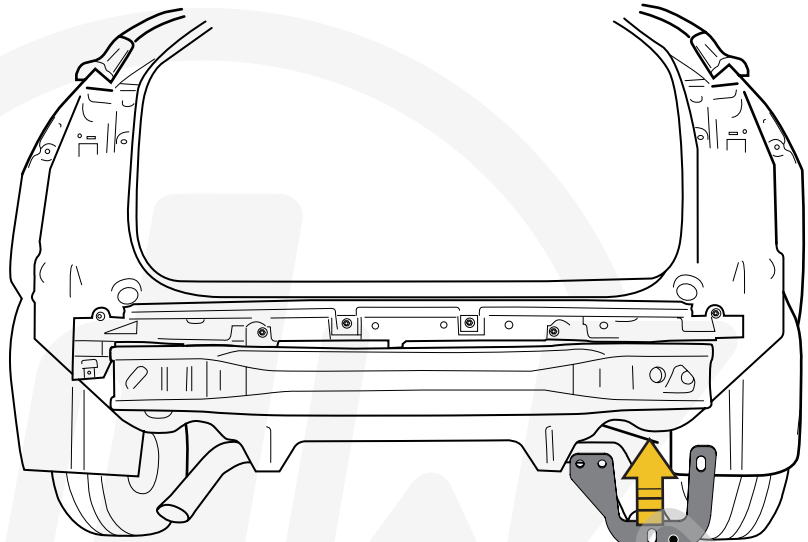
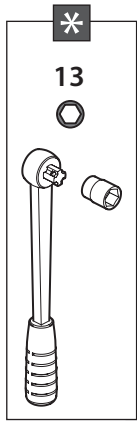
| | | | | |
|--|---|---|--------------------|--|
| Geleverd met - Livré avec - Delivered with Geliefert mit - Elementos adjuntos-Leveres med |  | X1 | GDW REF. 960.V1010 | |
| | ↳ |  | X1 | GDW REF. 740.200 |
| | ↳ |  | X1 | GDW REF. 912.003 |
| | ↳ |  | X1 | GDW REF. 740.112 |
| | ↳ |  | X1 | GDW REF. 740.111 |
| | ↳ |  | X1 | GDW REF. 740.12X X= LAST NUMBER ON KEY |
| | ↳ |  | X1 | GDW REF. 718.15.001 |
| | ↳ |  | X1 | GDW REF. SYST60-10 |
| | ↳ |  | X3 | DIN931-M12 X 110 |
| | ↳ |  | X3 | DIN128A-M12 |
| | ↳ |  | X6 | DIN125A-M12 |
| | ↳ |  | X3 | DIN934-M12 |



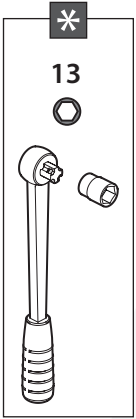




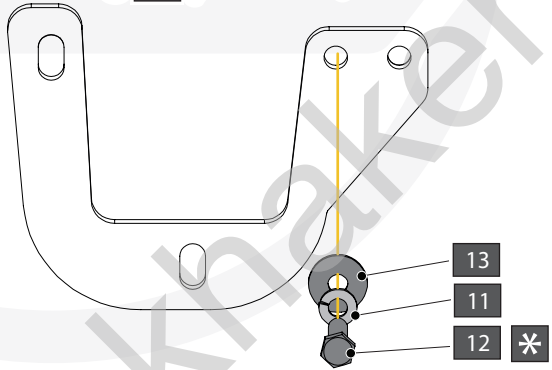
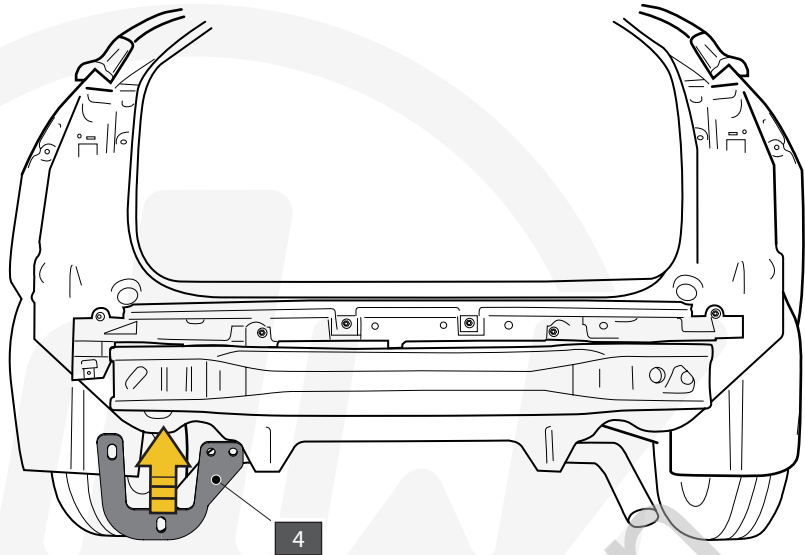




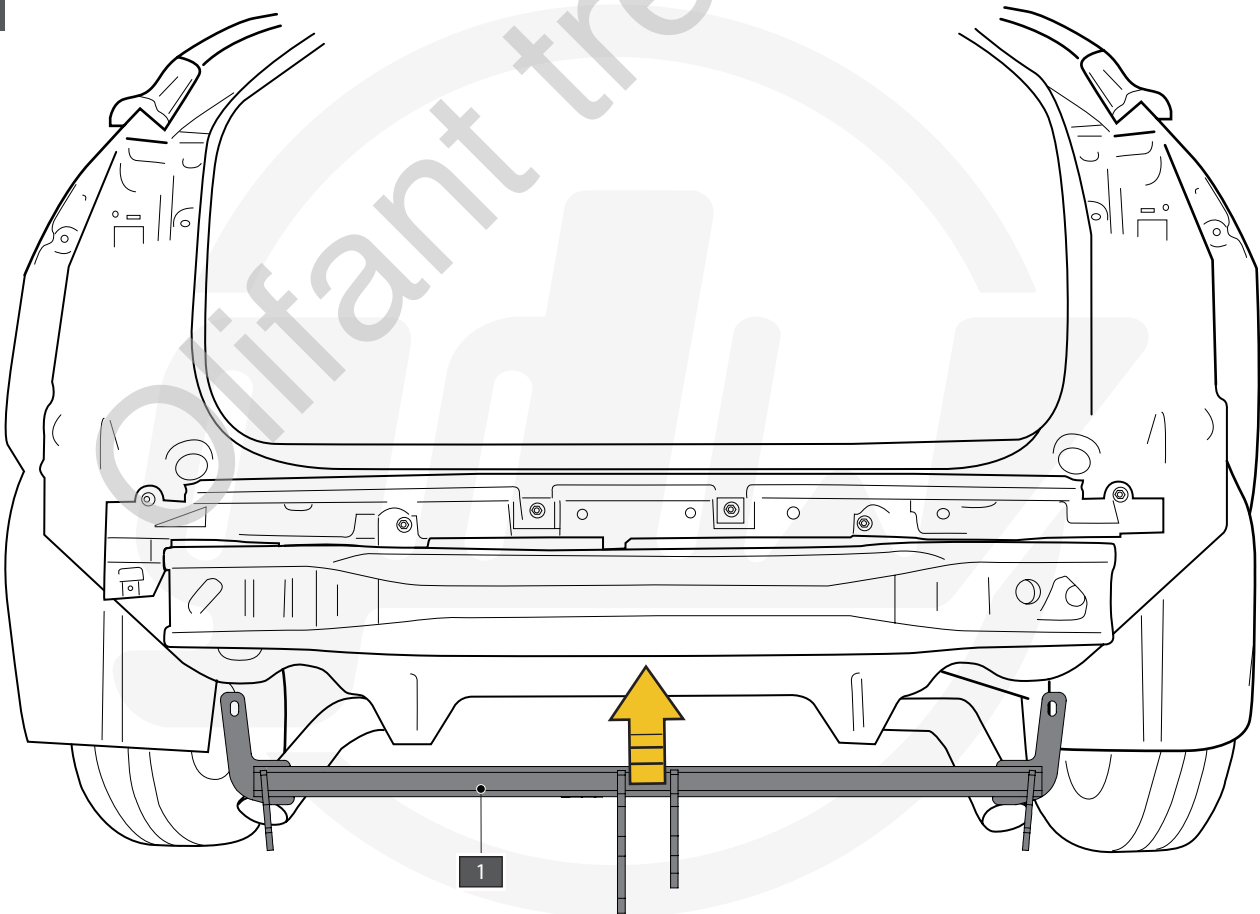
11

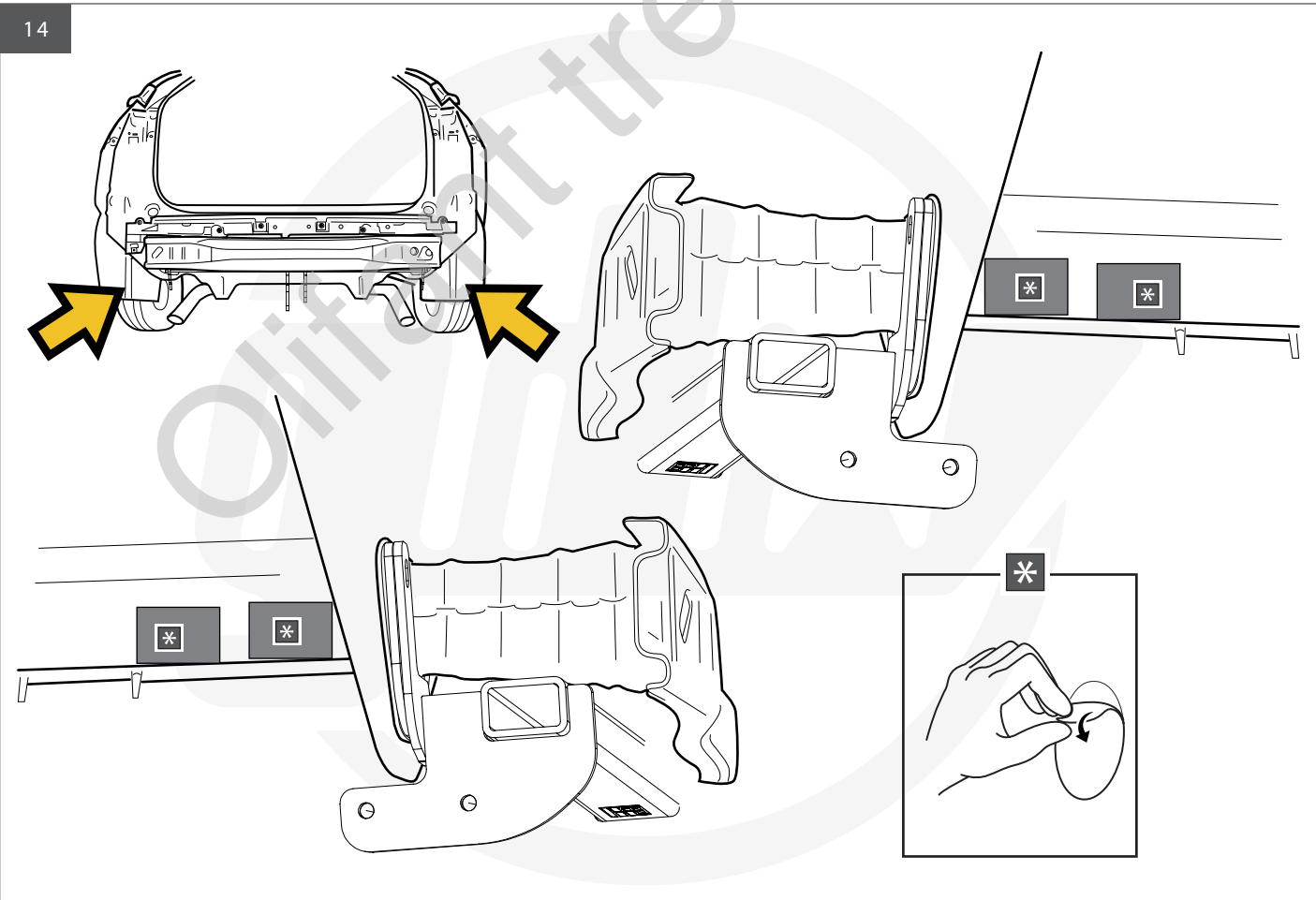
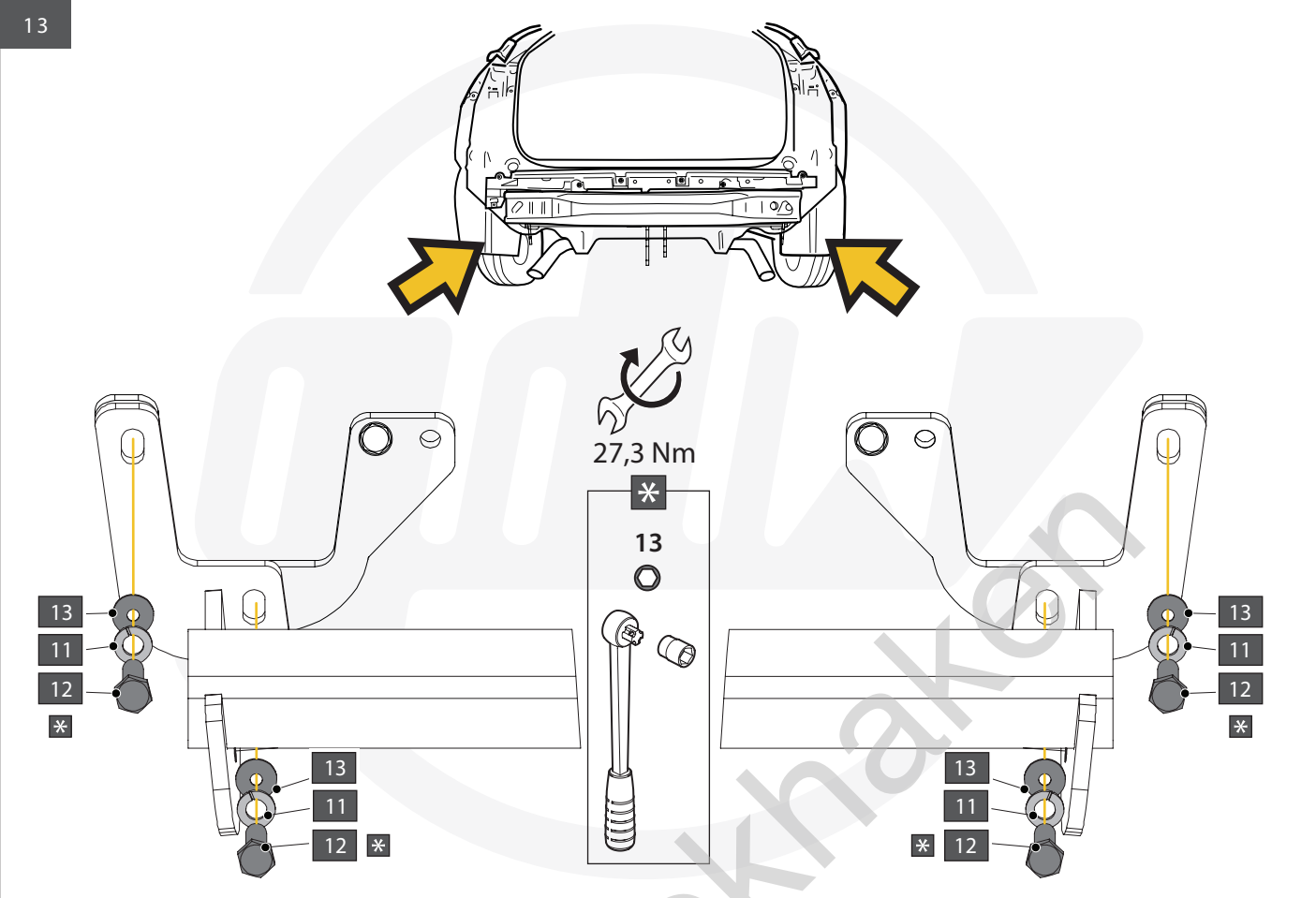


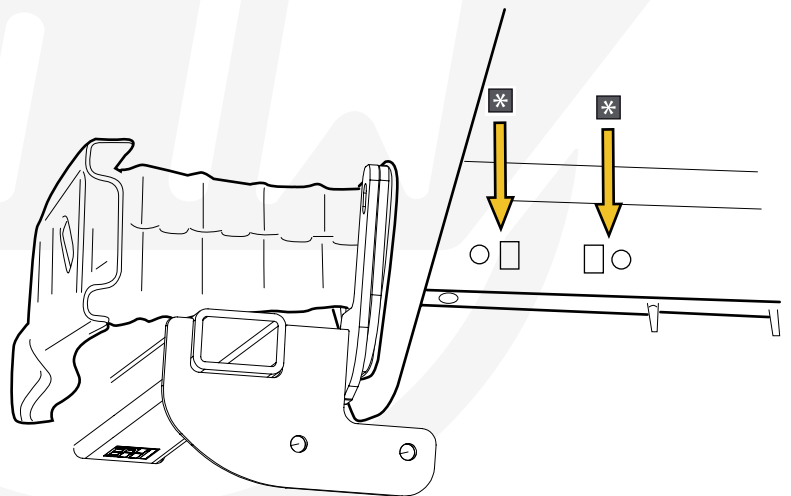
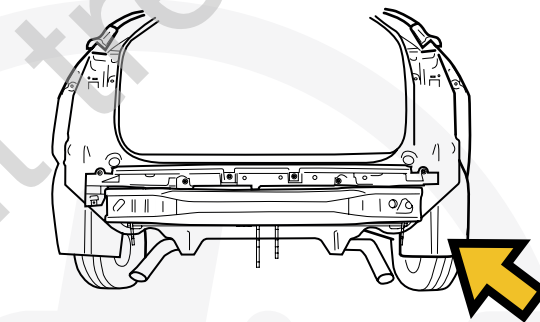
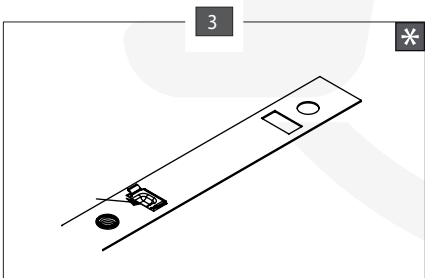
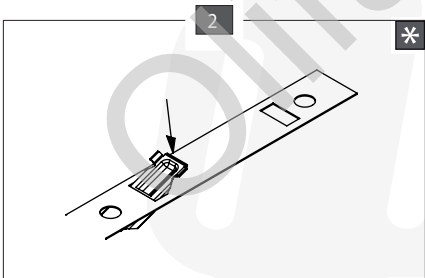
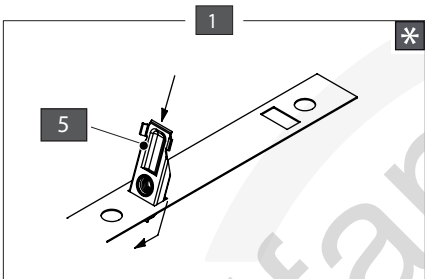
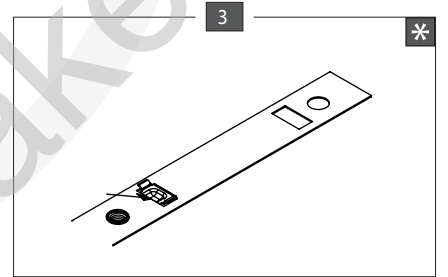
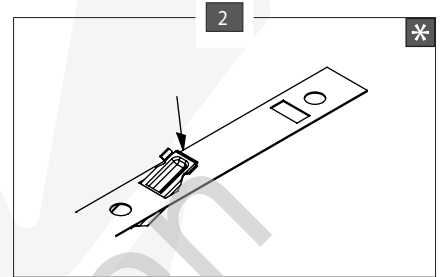
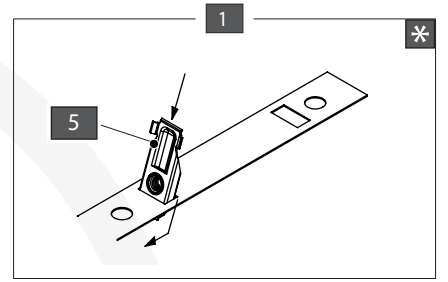
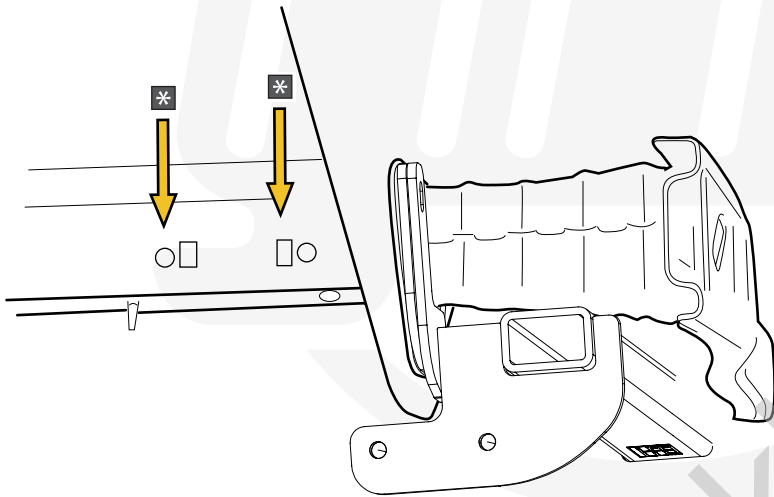
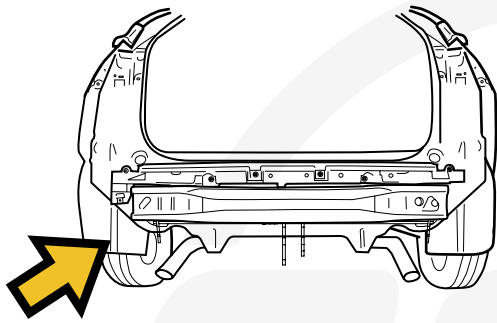
27,3 Nm

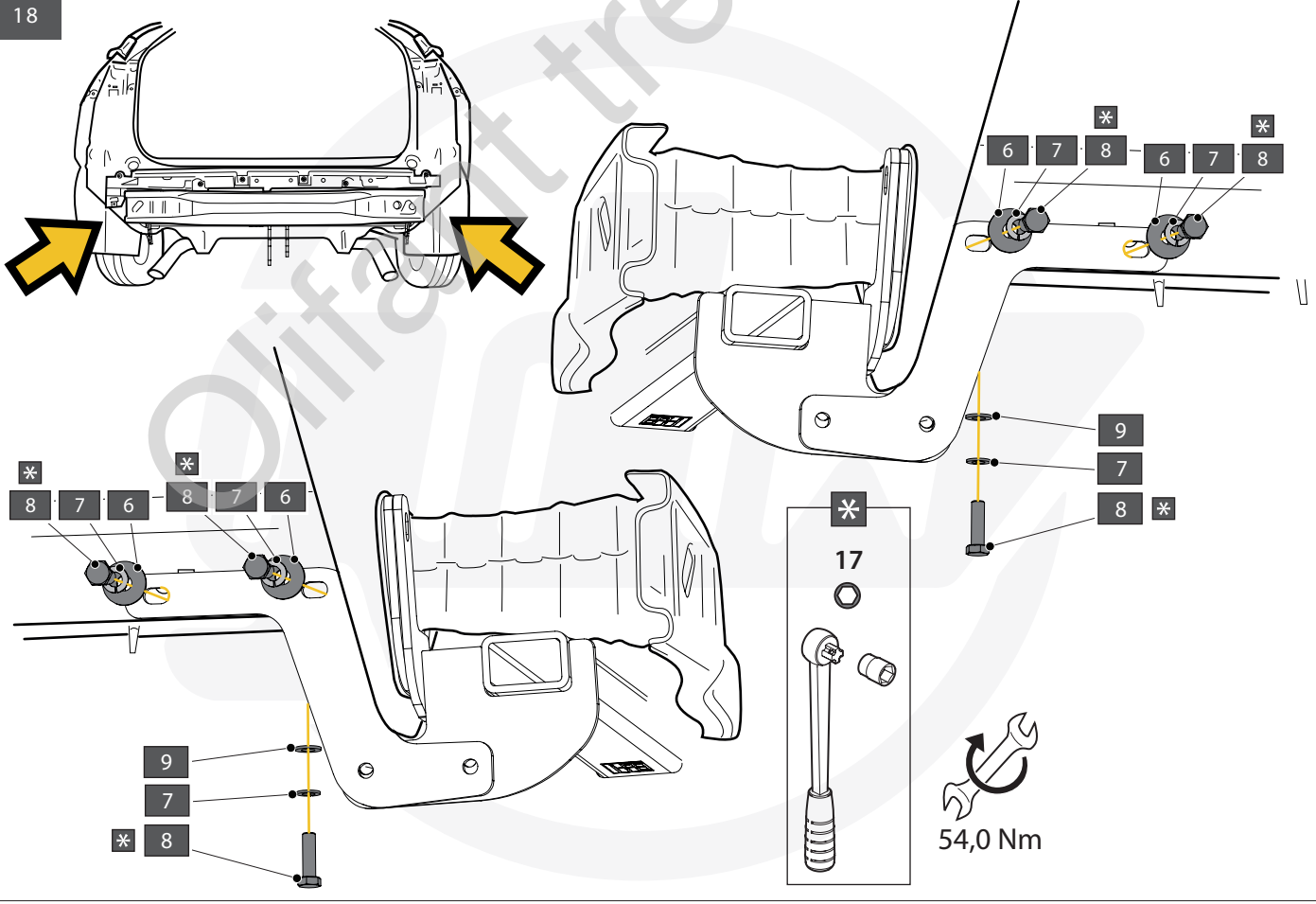
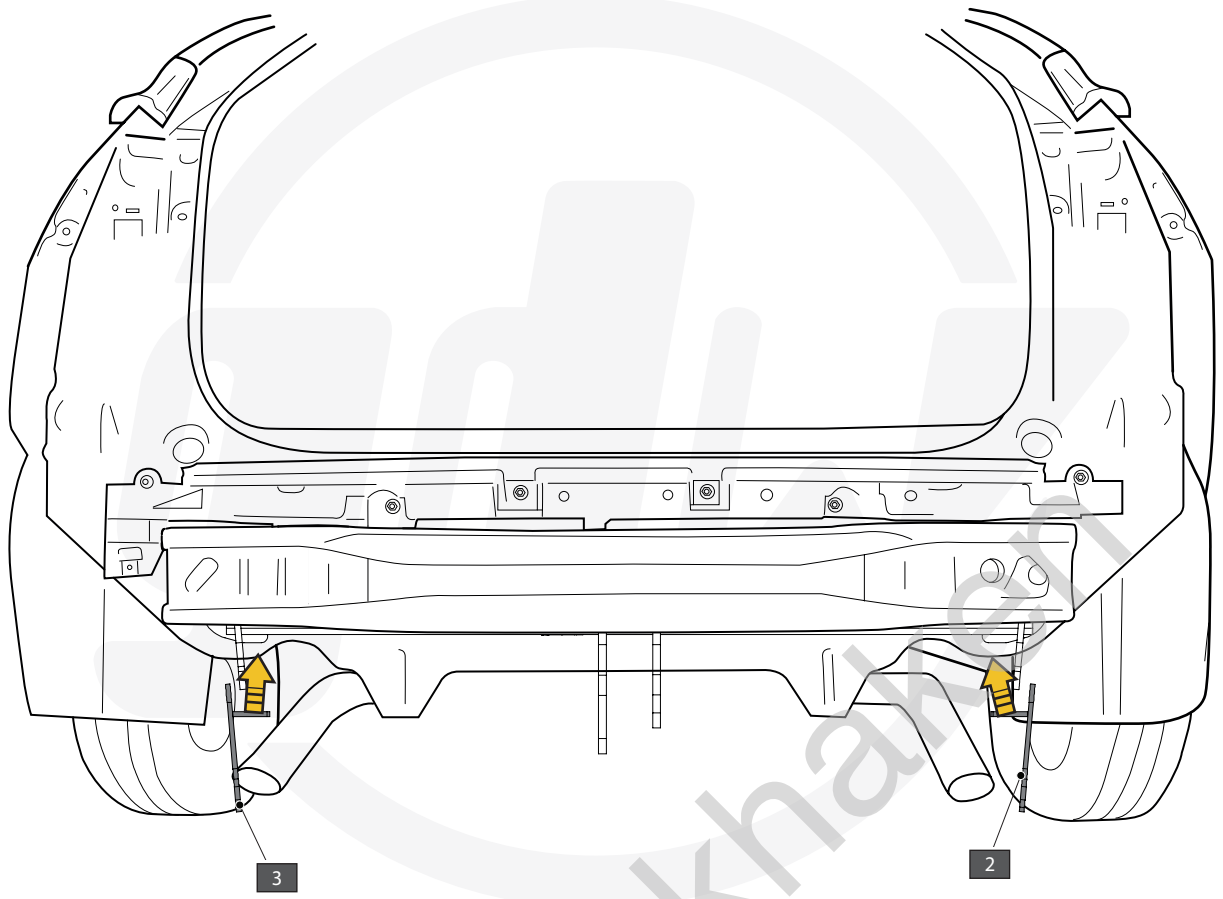


12

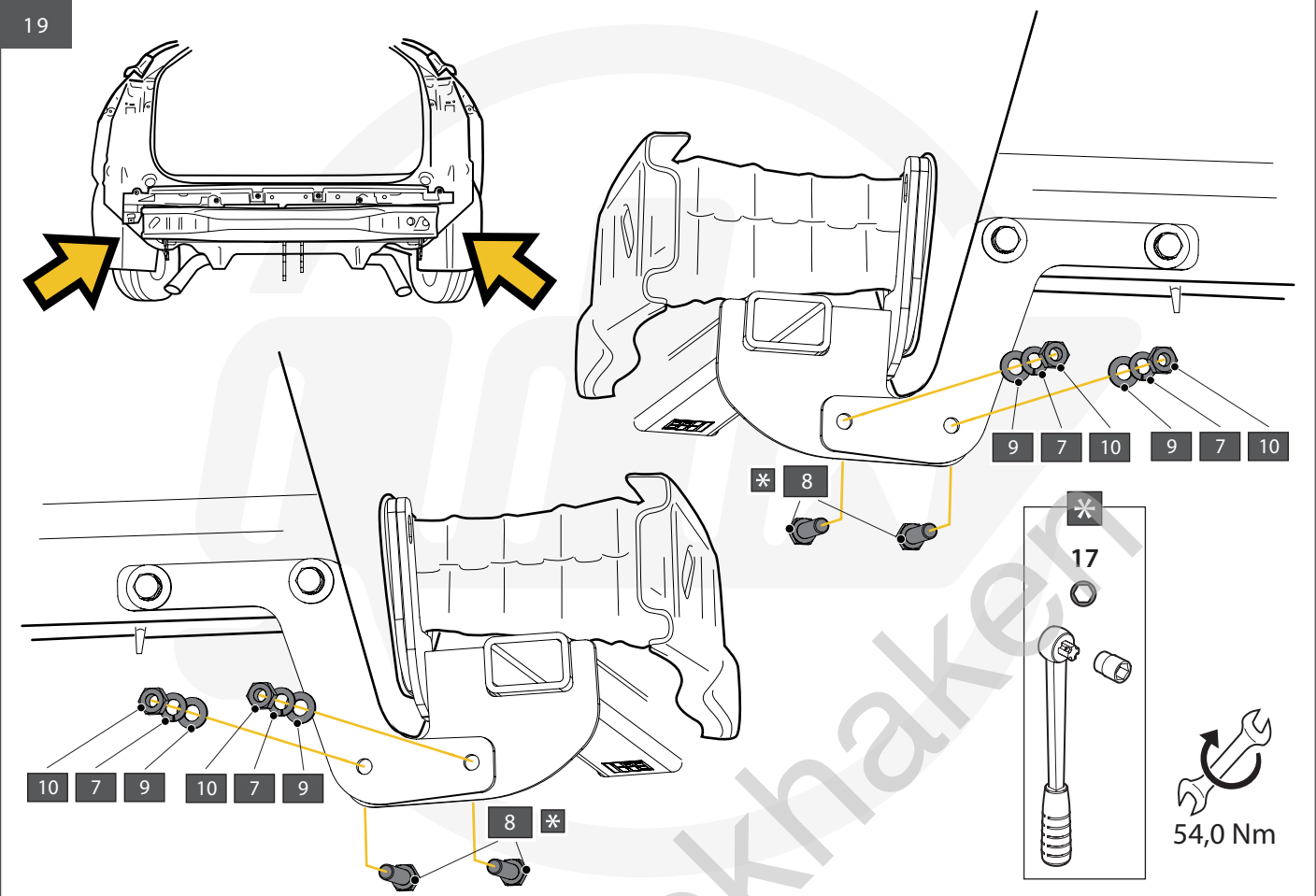




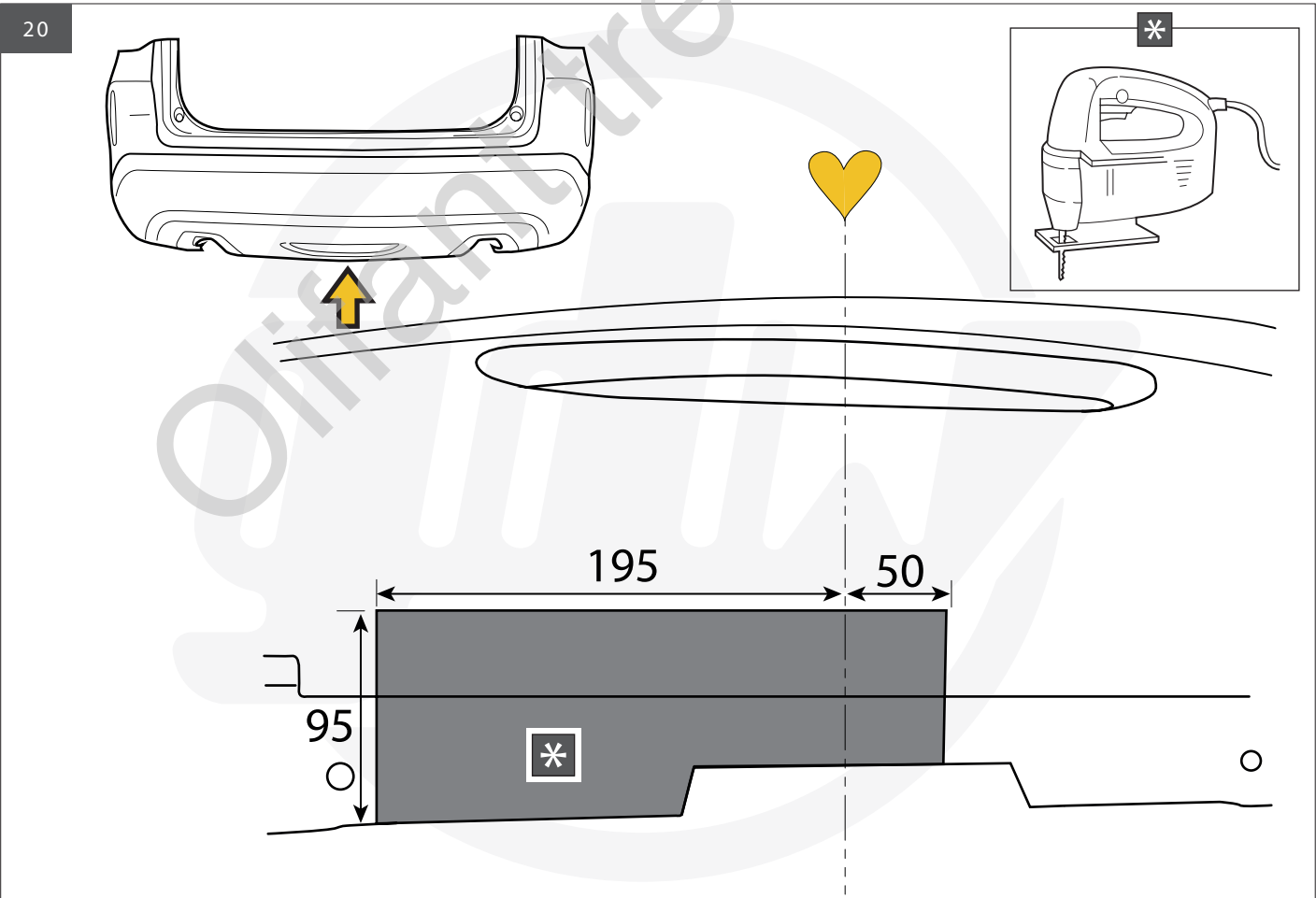


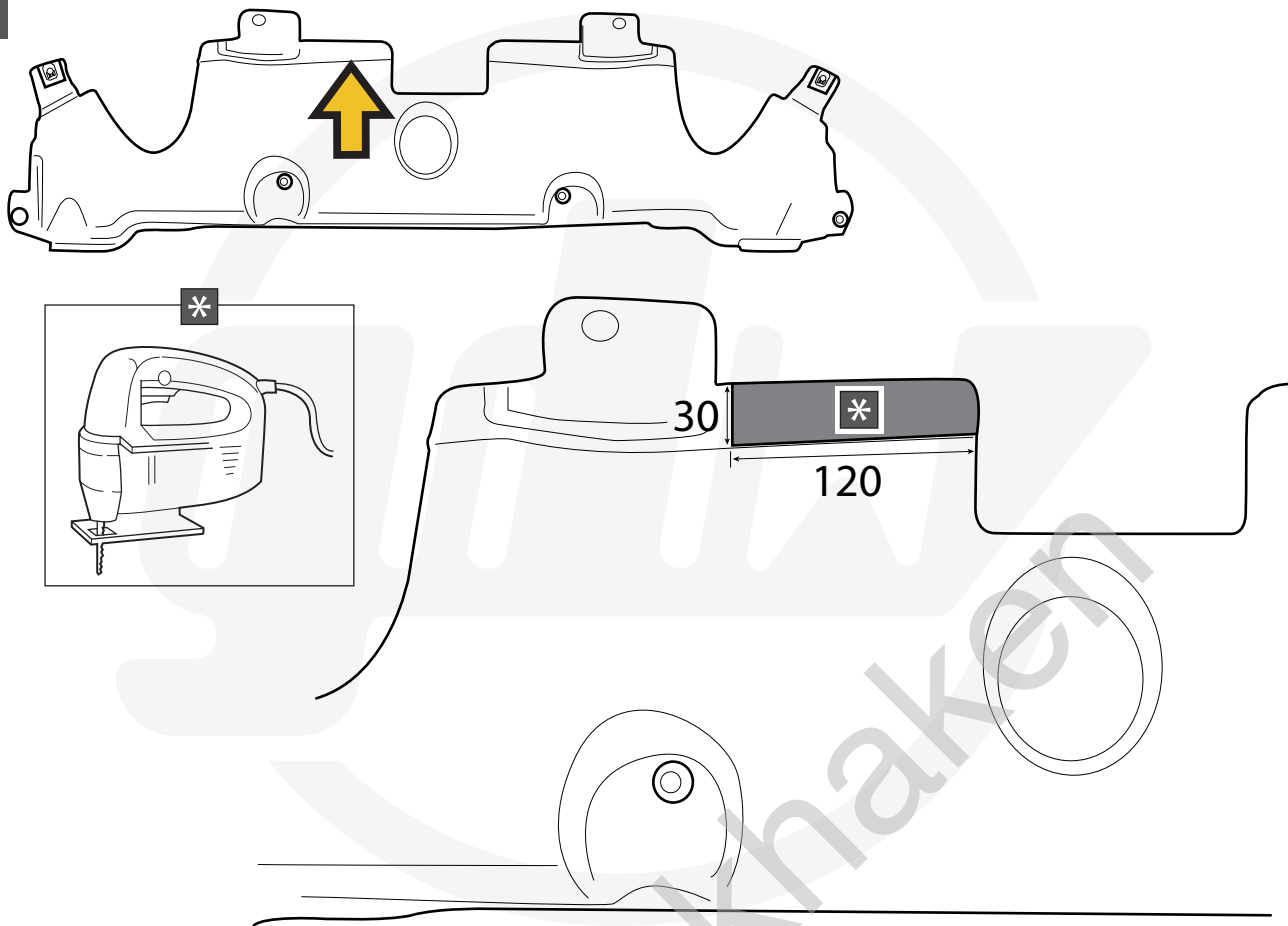


19



20

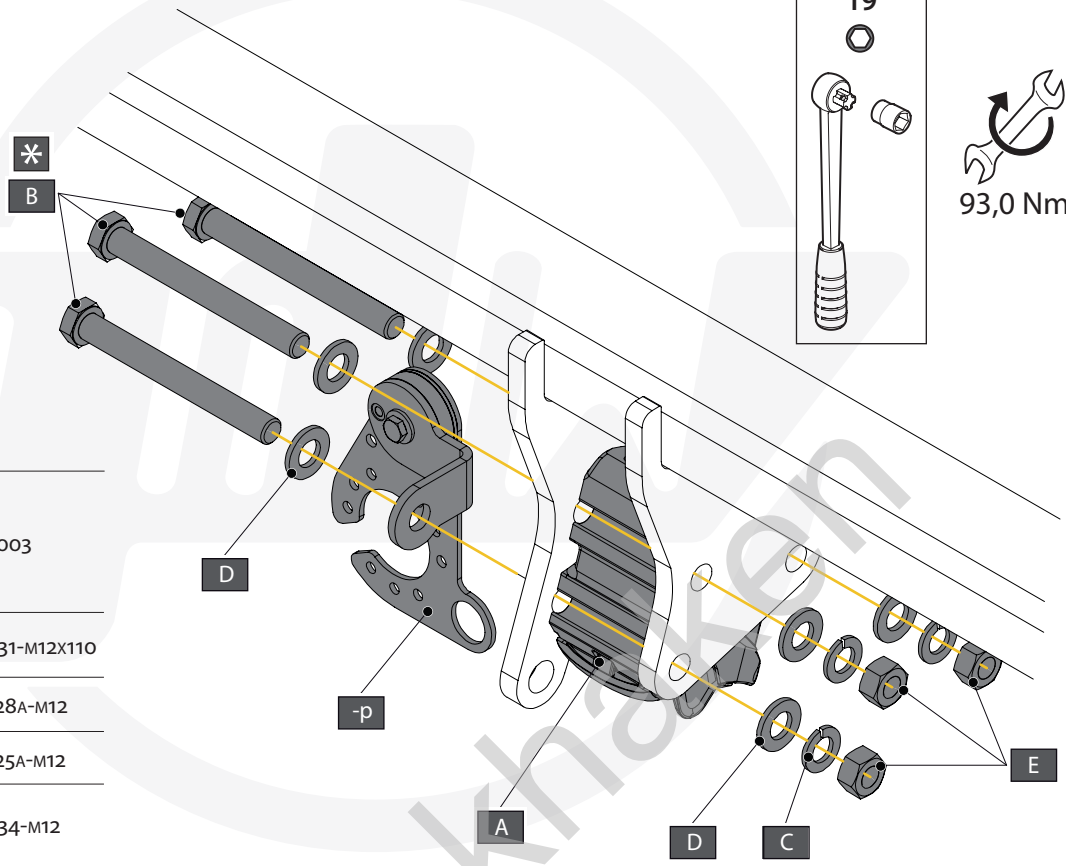
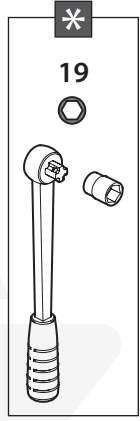




| | | | |
|---|--|----|--------------------------|
| A | | X1 | GDW REF. 908.095 |
| B | | X1 | DIN985-M6 |
| C | | X2 | 6,2 X 15,4 X 1,6 (NYLON) |
| D | | X1 | GDW REF. 718.16.002 |
| E | | X1 | GDW REF. 718.16.003 |
| F | | X1 | GDW REF. 908.094 |
| G | | X1 | DIN933-M6 X 30 |

10

2,0 Nm



- | | | | |
|---|--|----|----------------|
| A | | X1 | 912.003 |
| B | | X3 | DIN931-M12X110 |
| C | | X3 | DIN128A-M12 |
| D | | X6 | DIN125A-M12 |
| E | | X3 | DIN934-M12 |

