



TREKHAKEN • ATTELAGES • ANHÄNGERVORRICHTUNGEN • TOWBARS • ENHANCES • ANHÆNGERTRÆK • GANCI DI TRAINO

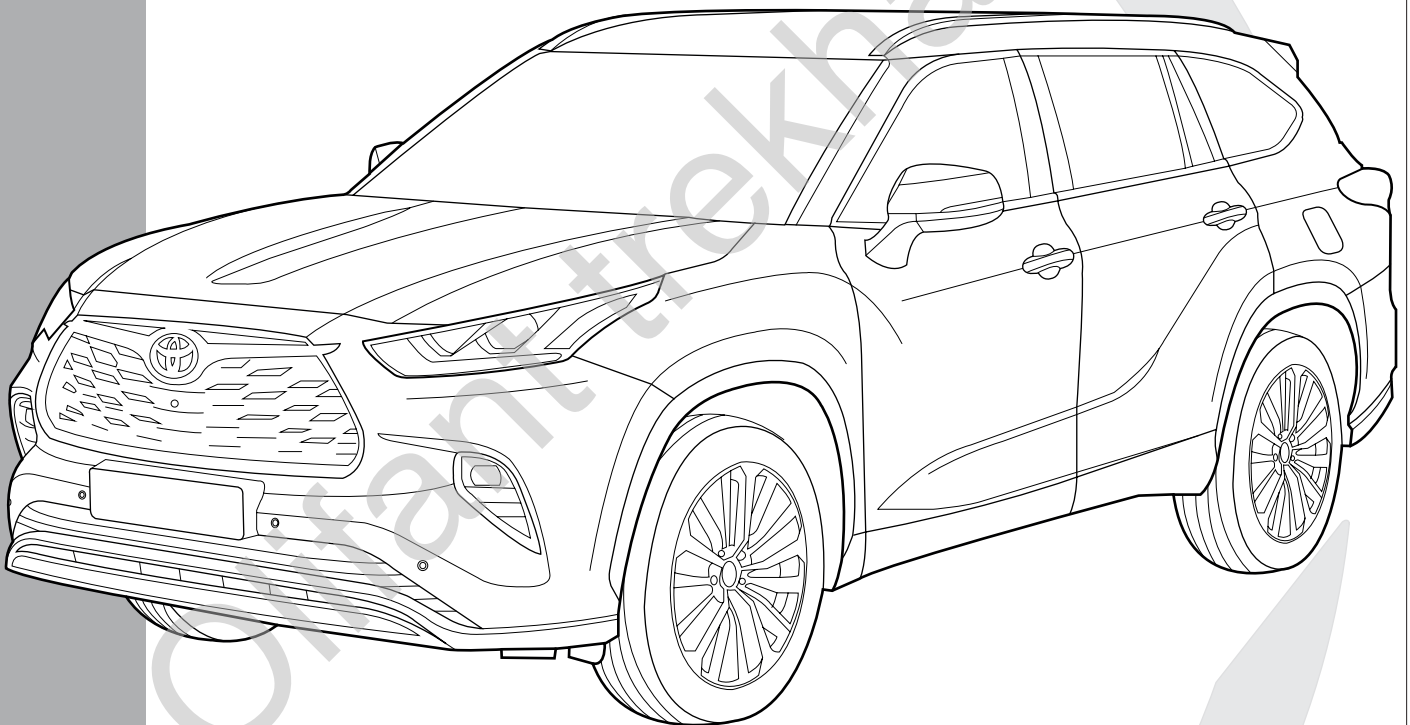
Montagehandleiding | instructions de montage | Einbauanleitung | Mounting instruction
Instrucciones de montaje | monteringsvejledning | istruzioni di montaggio

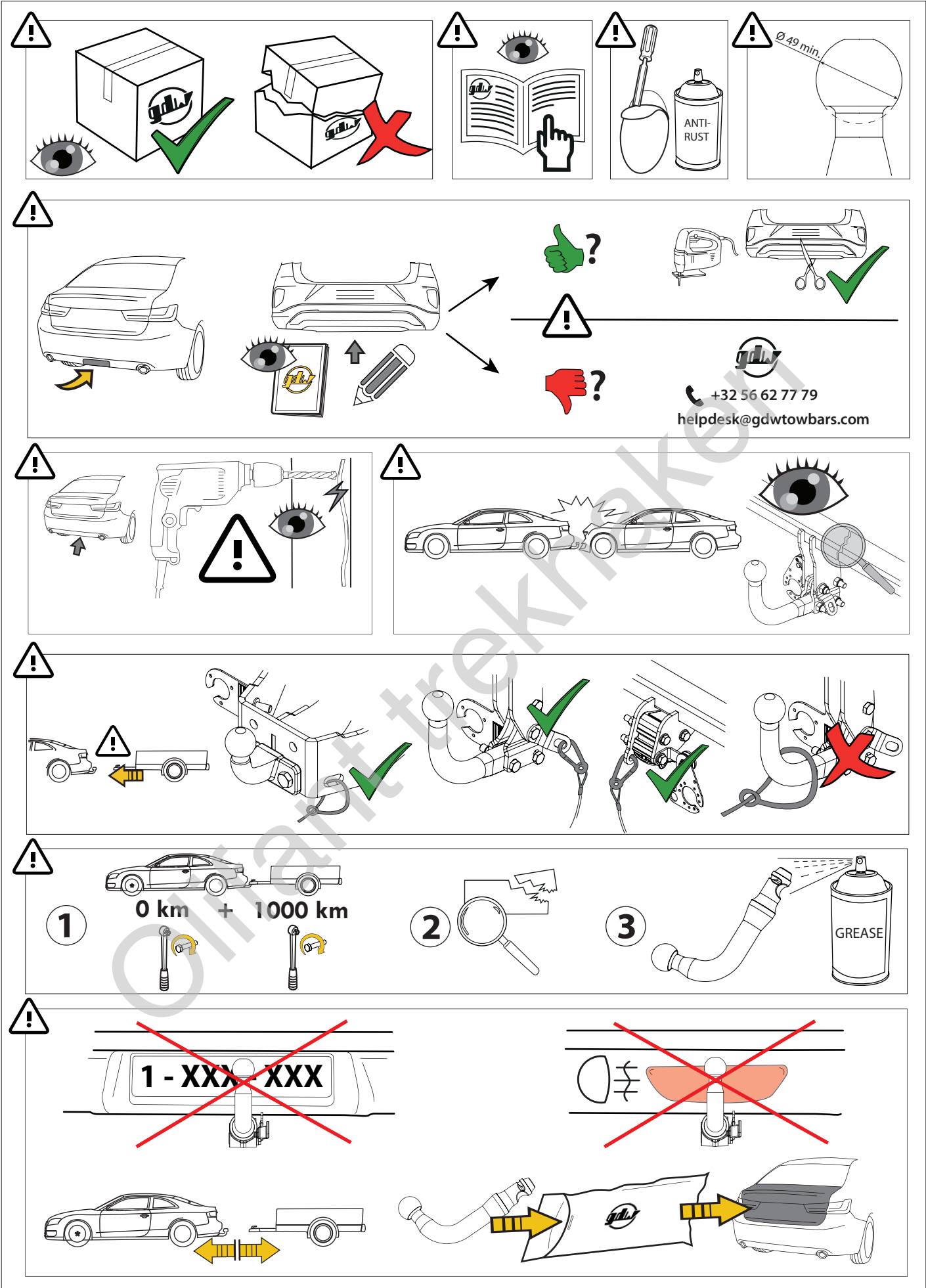


Toyota Highlander (type GSU7, AXUH7)

12/'19 -

- ✓ STANDARD
- ✓ HYBRID
- ✓ HANDSFREE TAILGATE



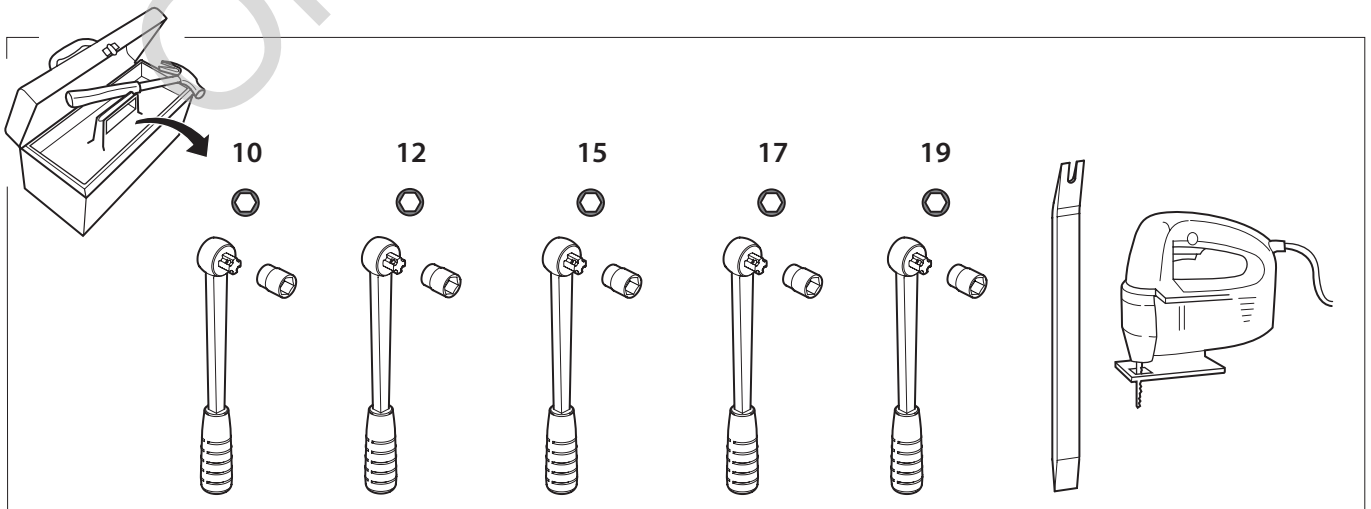
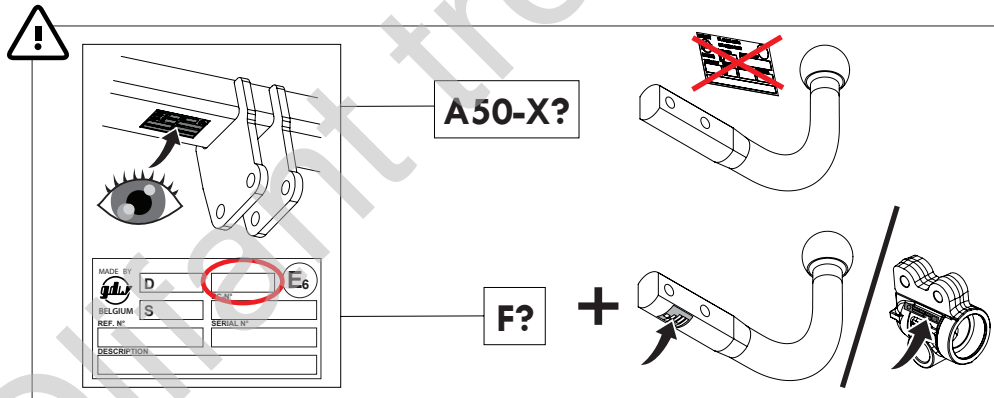
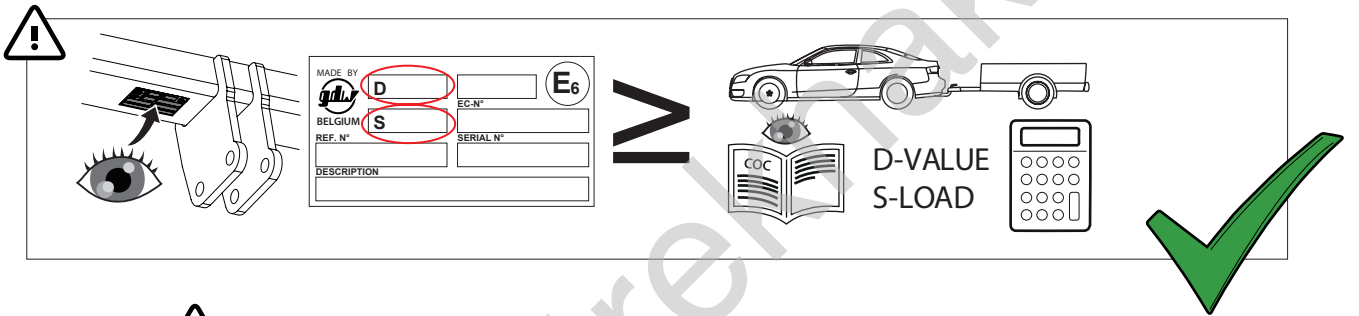
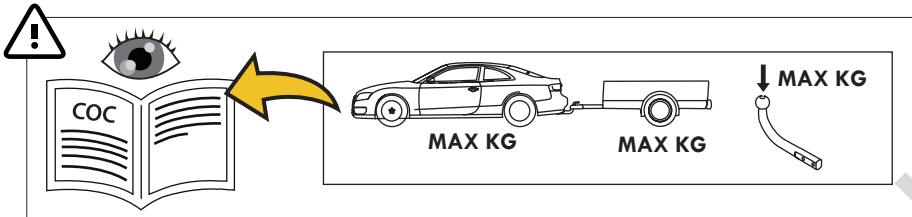


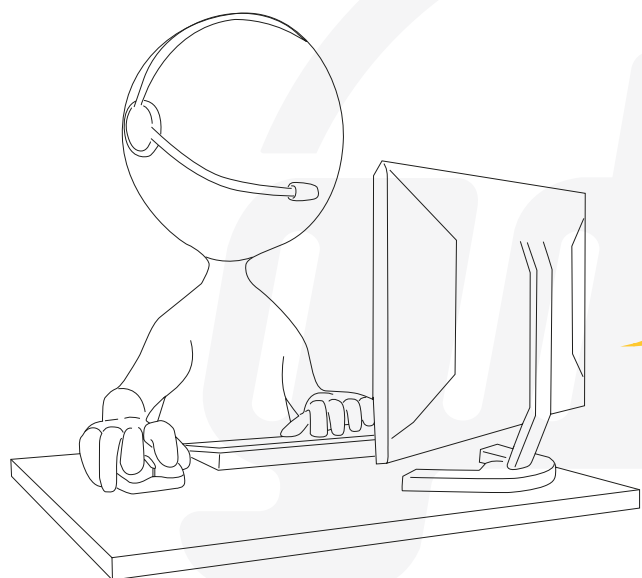
MADE BY 	D 11,50	F	E6
BELGIUM	S 100	EC-N° 55R - 02 1670	
REF N° 2564T60		SERIAL N° XXXX	
DESCRIPTION Toyota Highlander 12/19-			

D = $\frac{\text{max kg (car)} \times \text{max kg (trailer)}}{\text{max kg (car)} + \text{max kg (trailer)}} \times 0.00981 \leq 11,50 \text{ kN}$

S = ≤ 100 kg ≤ 2000 kg

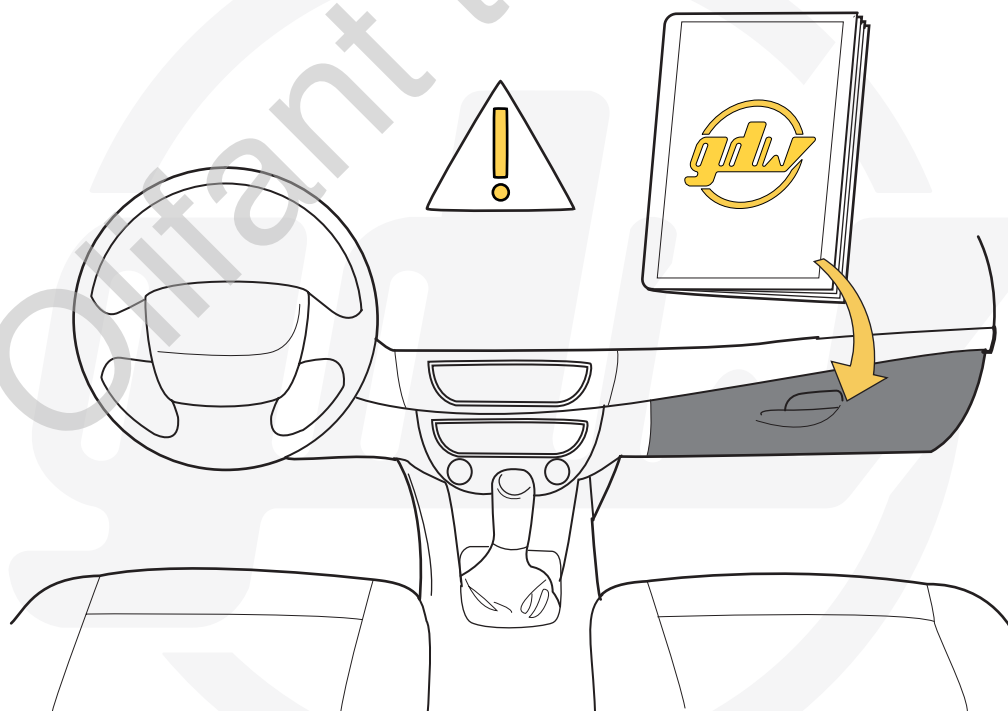
See the Certificate Of Conformity (COC) of your vehicle or contact your dealer to verify the max. trailer weight of your car!

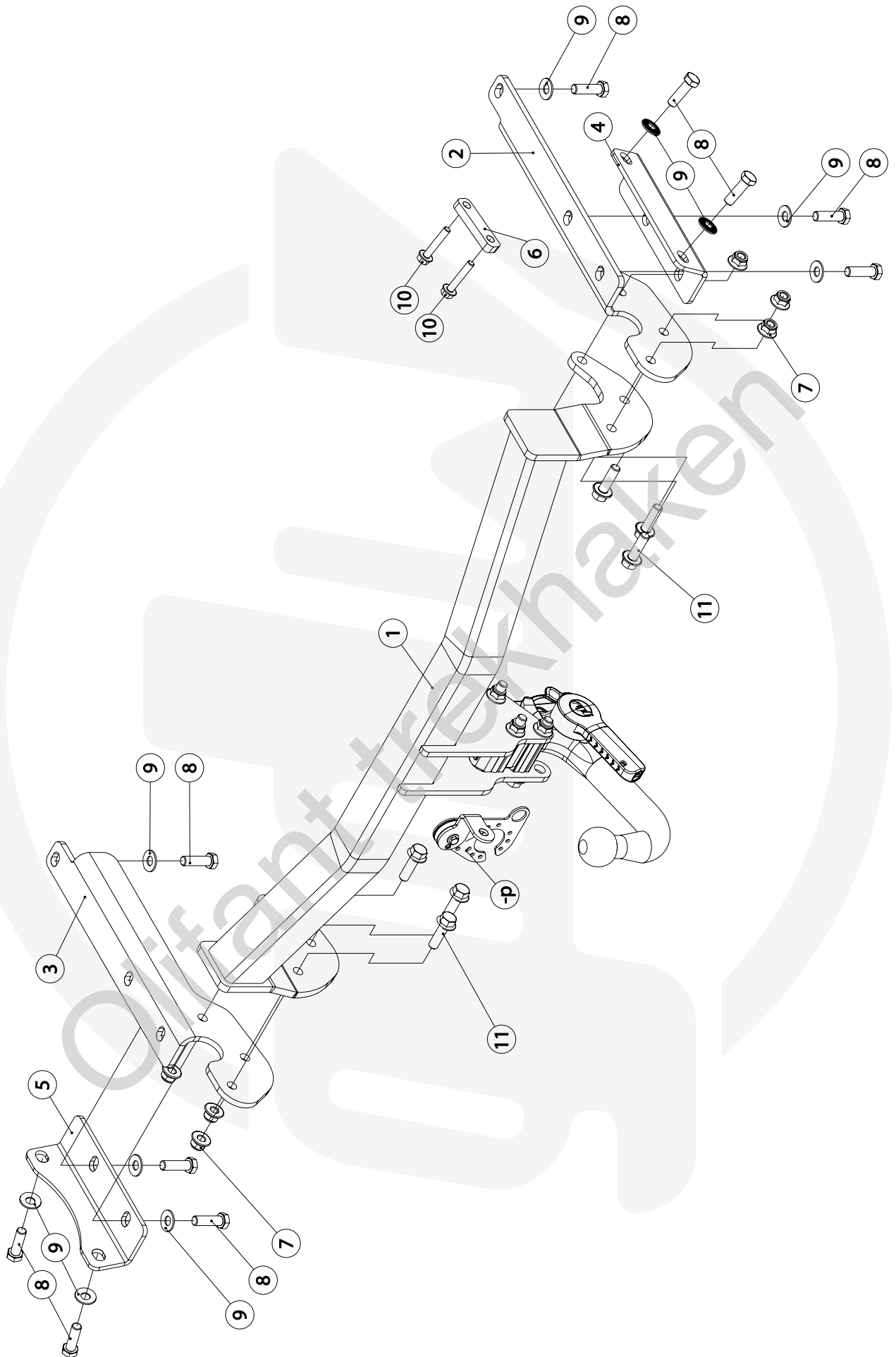


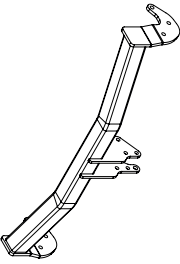
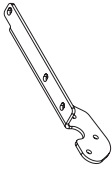
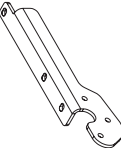
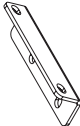
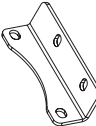









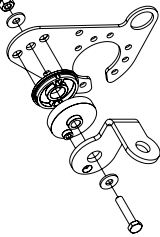

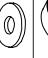


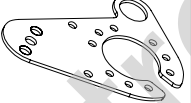


helpdesk@gdwtowbars.com
+32 56 62 77 79

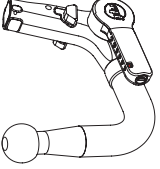

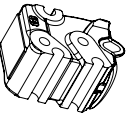


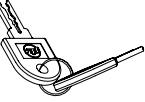

Monday	08:00 - 12:00	12:30 - 16:30
Tuesday	08:00 - 12:00	12:30 - 16:30
Wednesday	08:00 - 12:00	12:30 - 16:30
Thursday	08:00 - 12:00	12:30 - 16:30
Friday	08:00 - 12:00	12:30 - 15:30



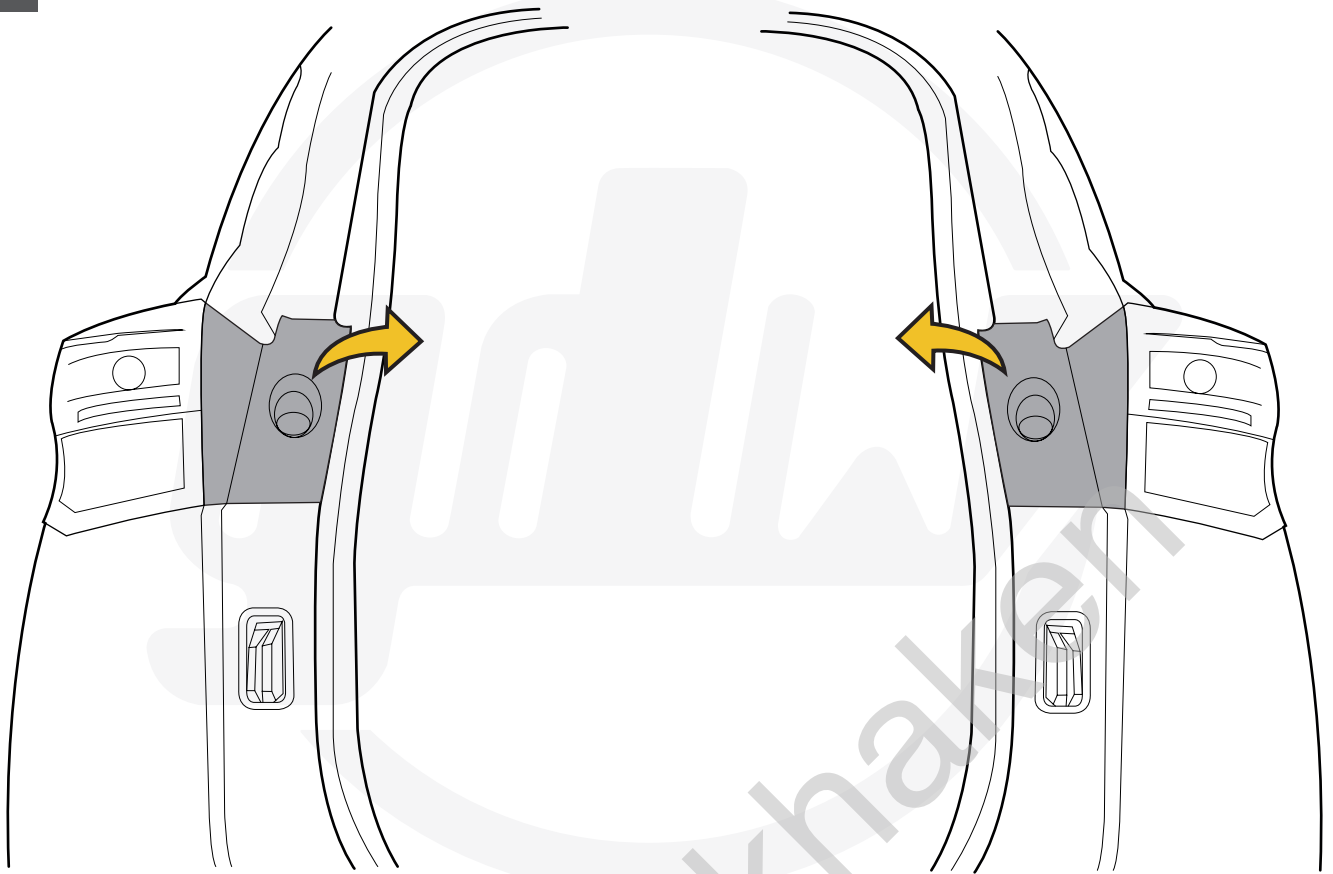


1		X1	GDW REF. 2564160
2		X1	GDW REF. 2
3		X1	GDW REF. 3
4		X1	GDW REF. 4
5		X1	GDW REF. 5
6		X1	GDW REF. 6
7		X9	MBN13023-M12X1.5- KL10-ZF
8		X10	ISO8676 M12X40-1.25- KL10.9-ZNF
9		X10	SKSM M12 ZF
10		X2	MBN10105-M8X45-1.25- KL10.9-ZNF
11		X6	MBN10105 M12X40-1.5- 10.9-ZF
12		X3	MBN10105 M12X100-1.5- 10.9-ZF

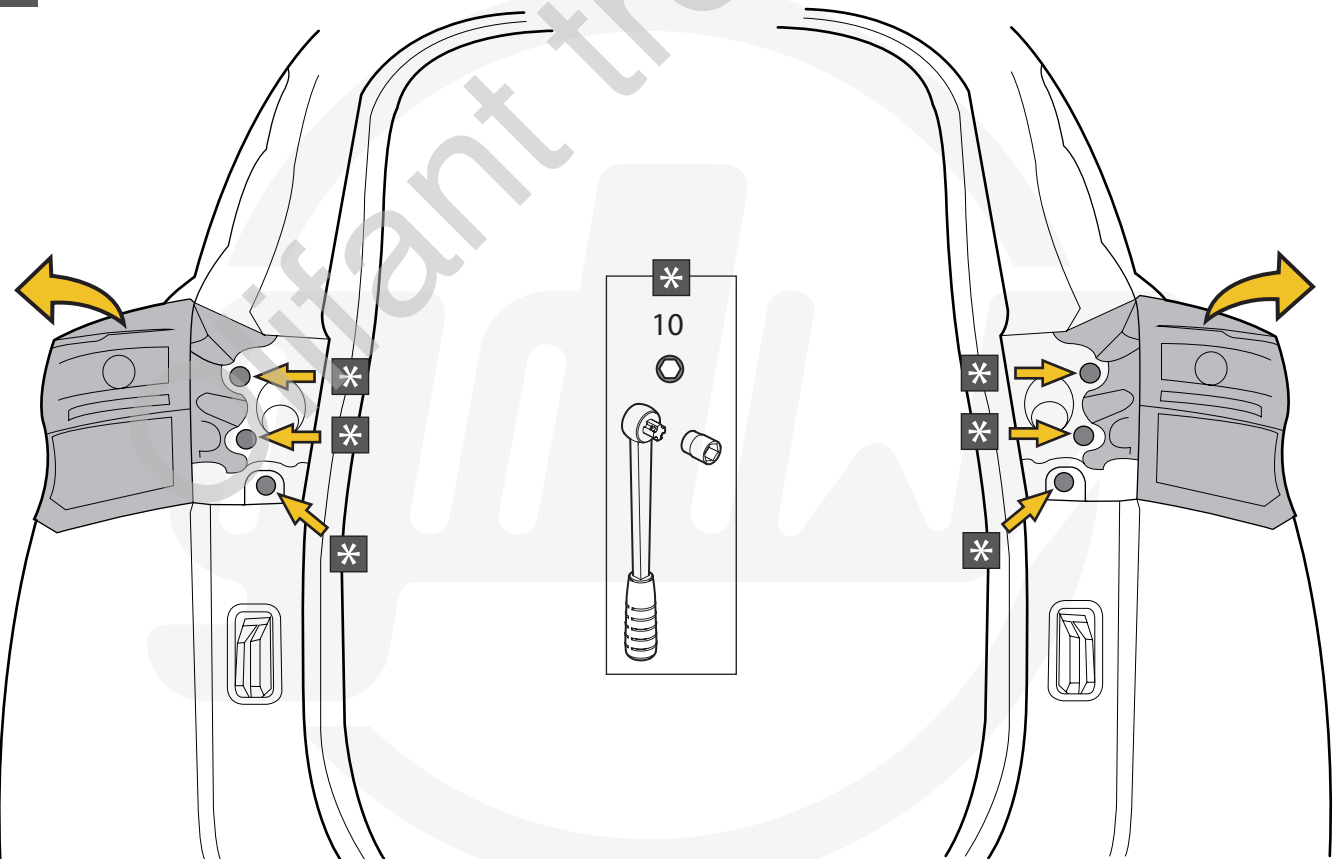
-P		X1	GDW REF. P39
↳		X1	DIN985-M6
↳		X2	6,2 X 15,4 X 1,6 (NYLON)
↳		X1	GDW REF. 718.16.002
↳		X1	GDW REF. 718.16.003
↳		X1	GDW REF. 908.094
↳		X1	DIN933-M6 X 30
↳		X1	GDW REF. 908.095

Geleverd met - Livré avec - Delivered with Geliefert mit - Elementos adjuntos - Leverses med		X1	GDW REF. 960.X0610
	↳ 	X1	GDW REF. 740.200
		X1	GDW REF. 912.003
	↳ 	X1	GDW REF. 740.112
	↳ 	X1	GDW REF. 740.111
		X1	GDW REF. 740.12X X= LAST NUMBER ON KEY
		X1	GDW REF. 718.15.001

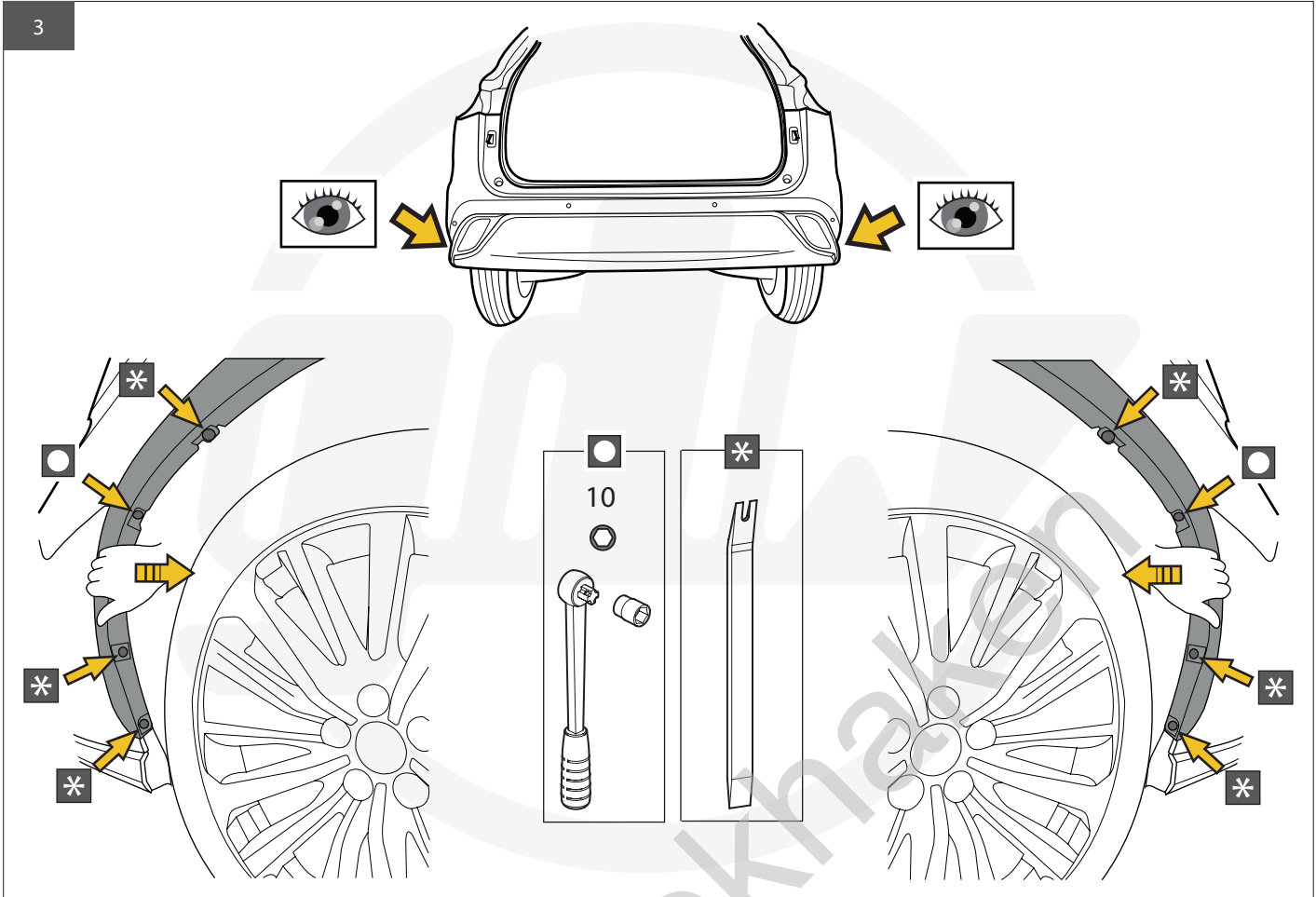
1



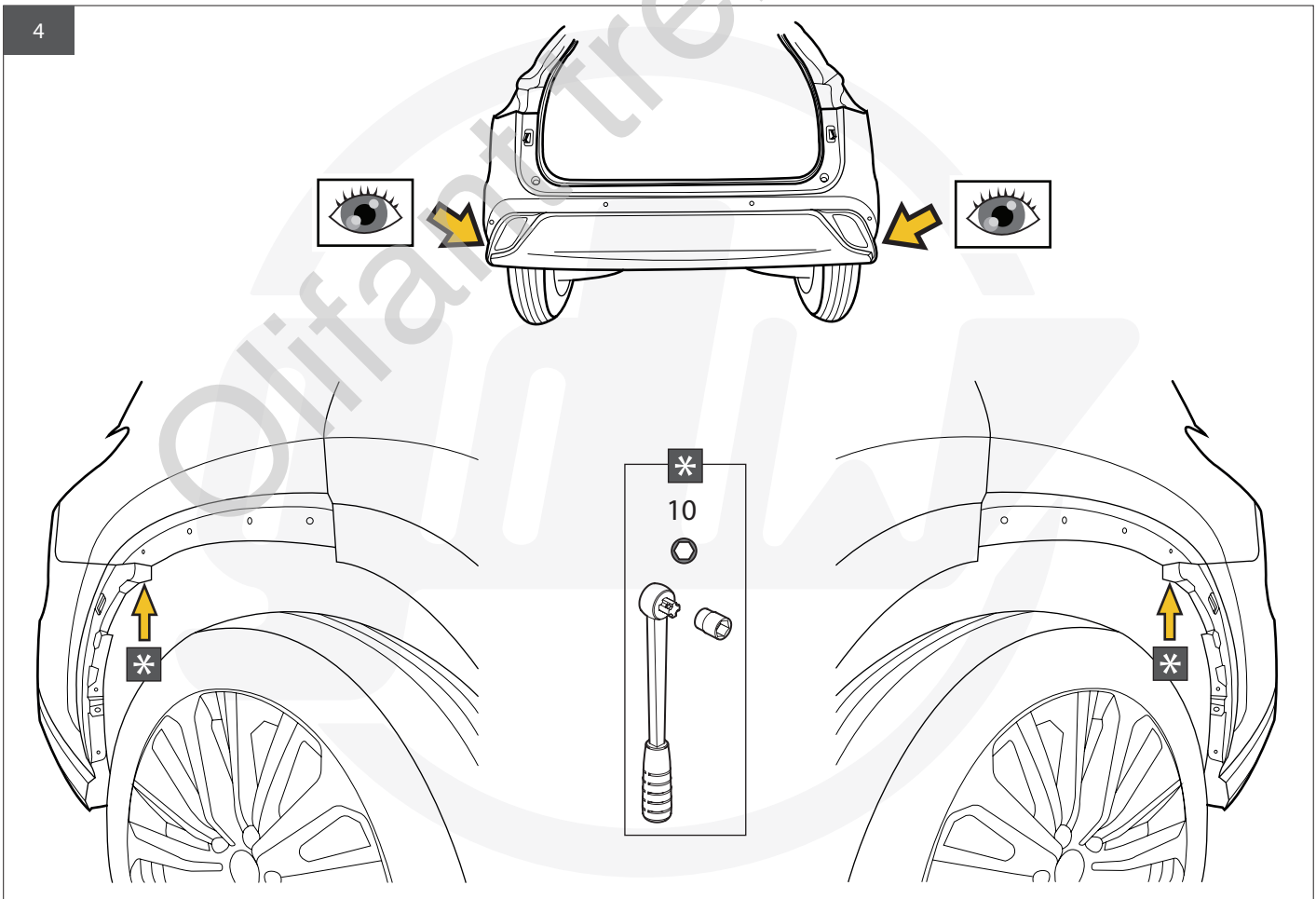
2

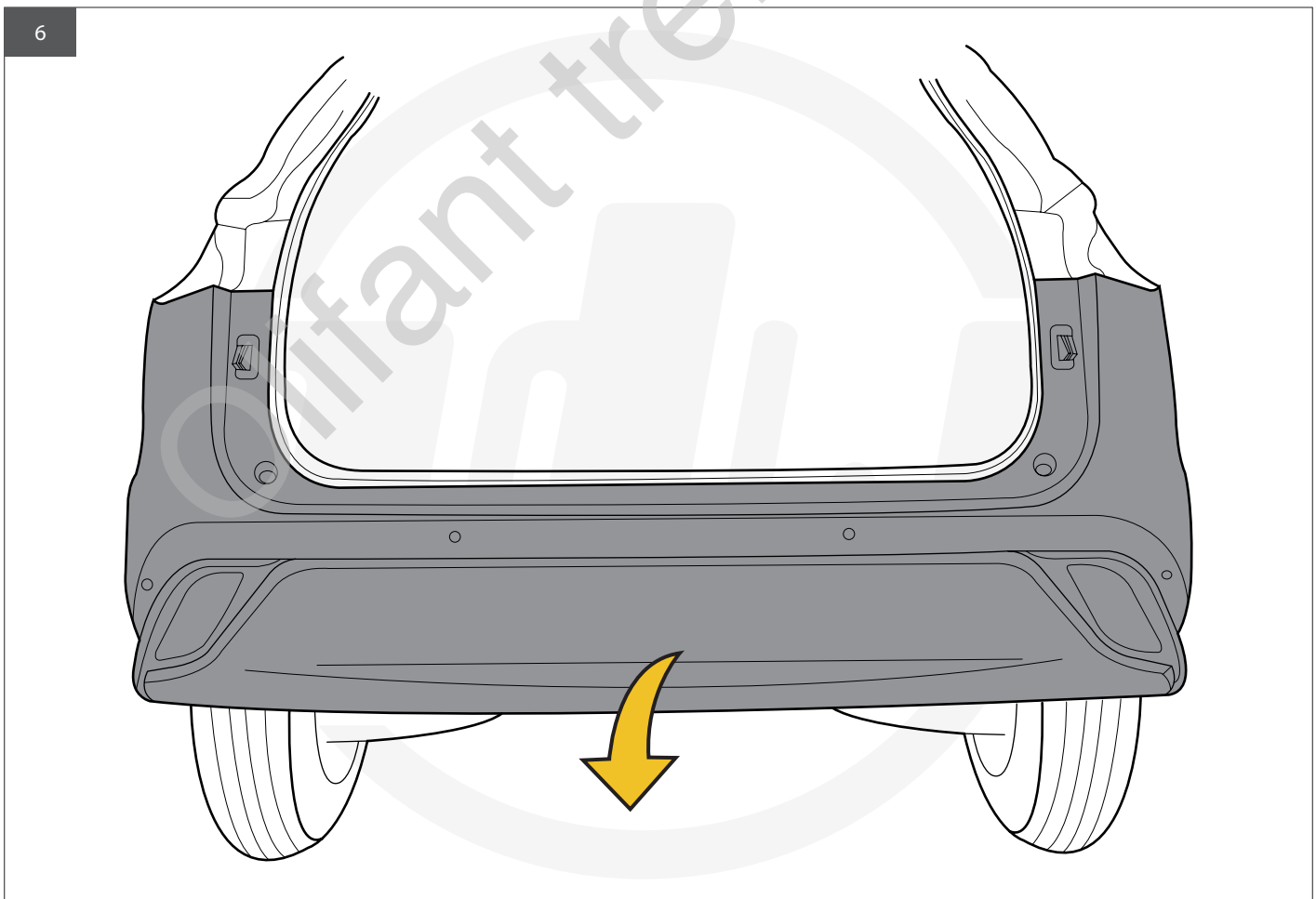
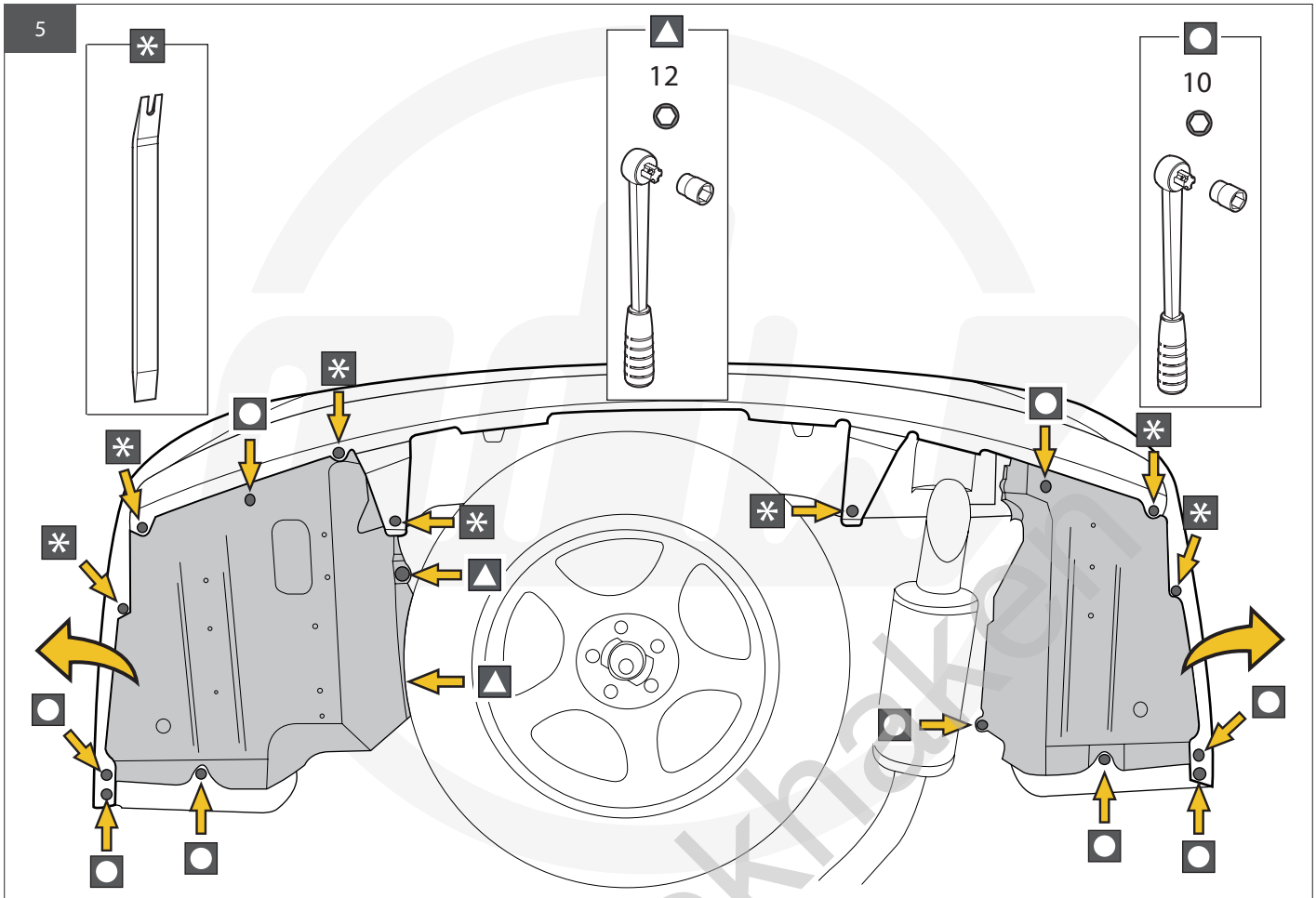


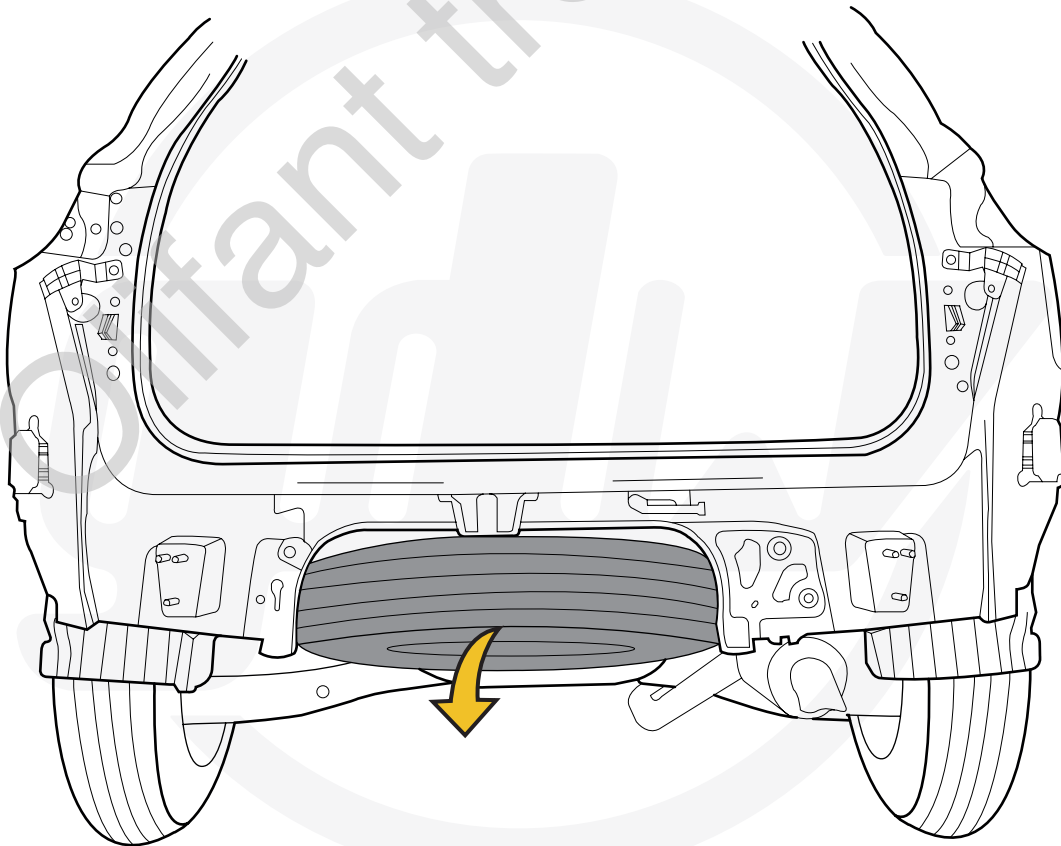
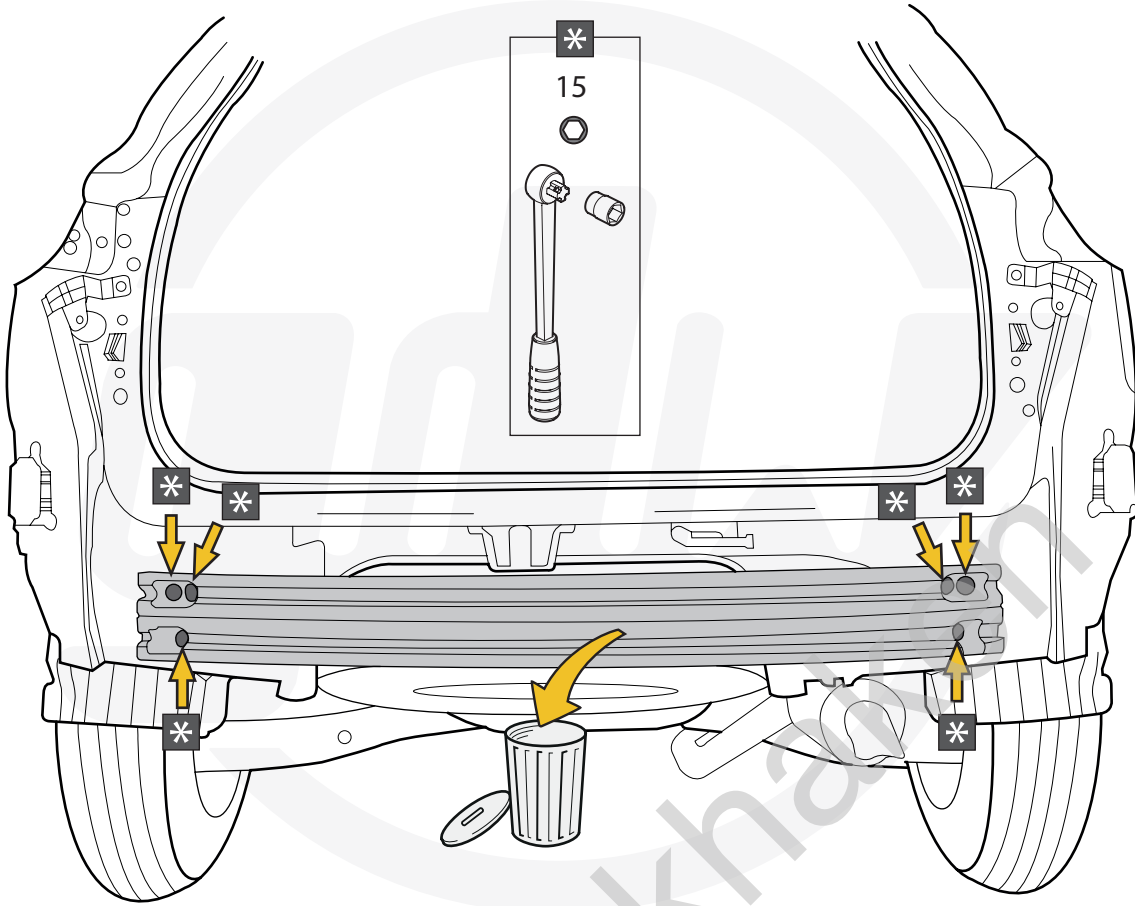
3



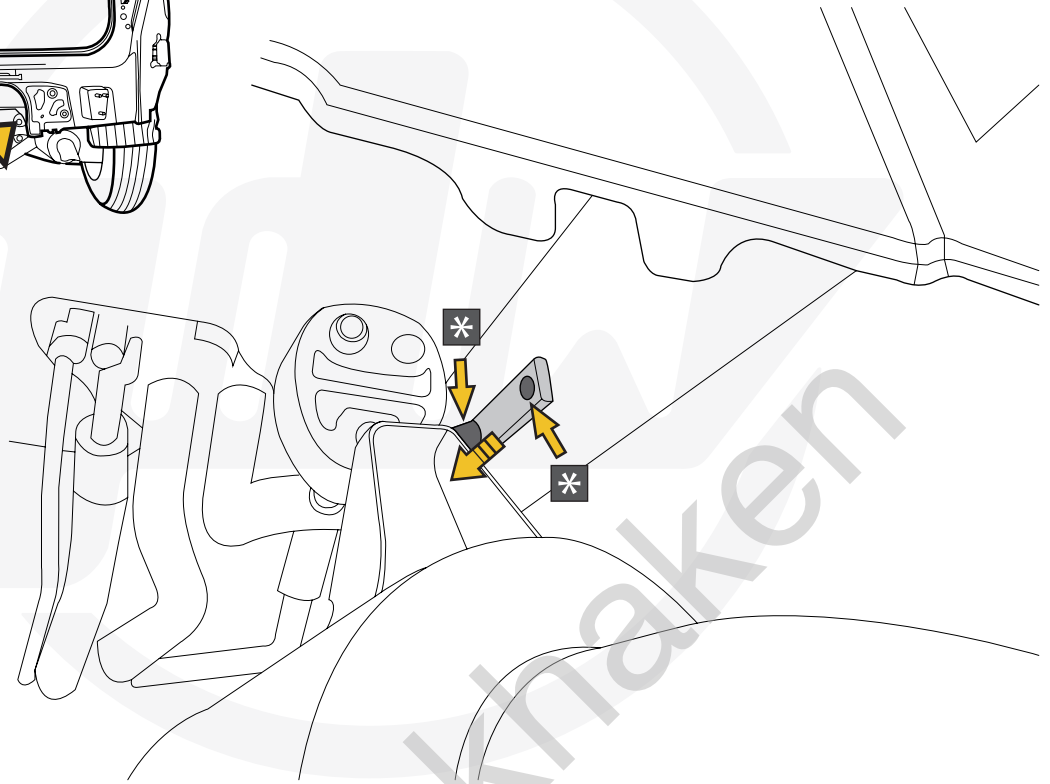
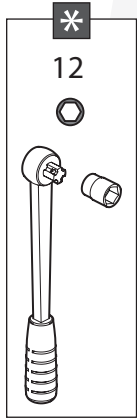
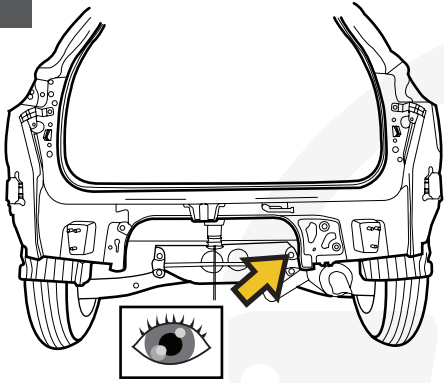
4



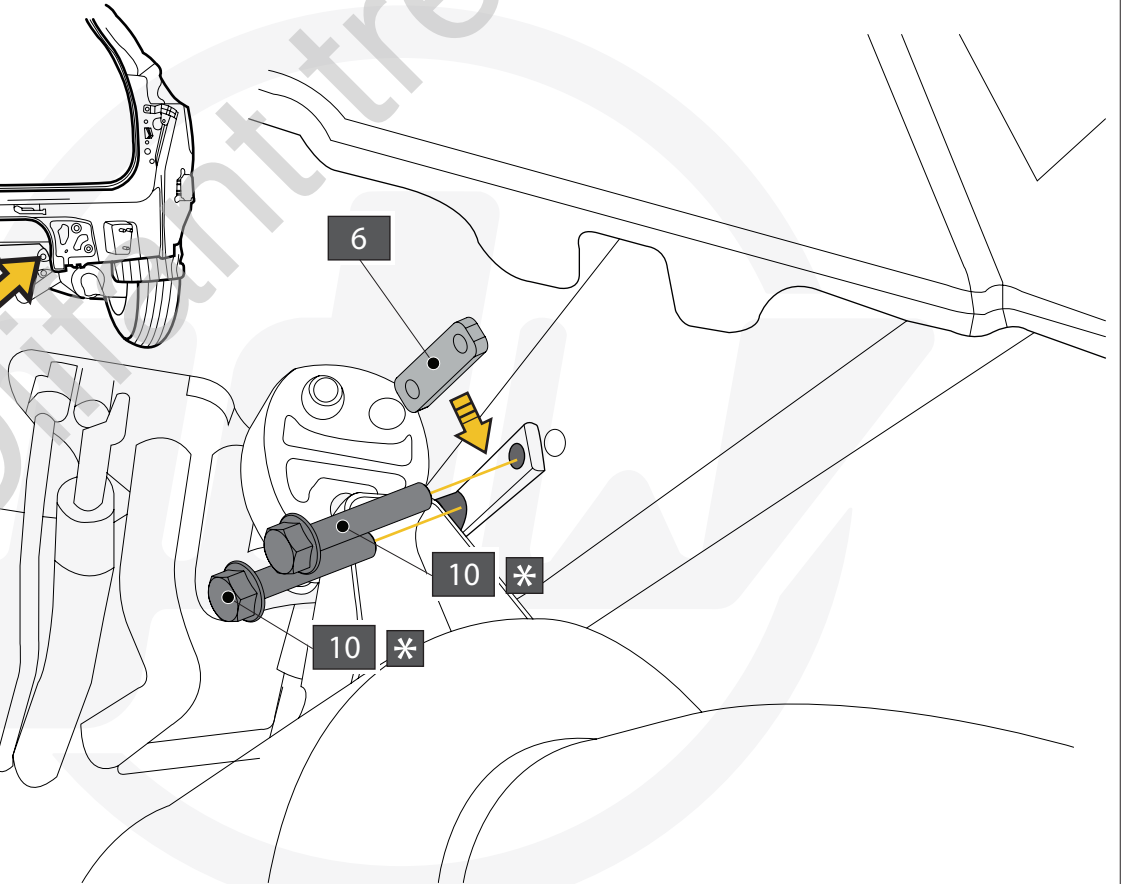
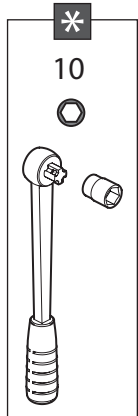
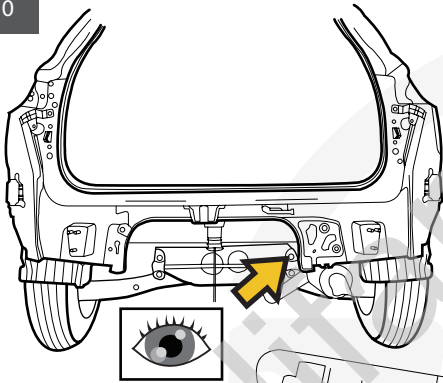




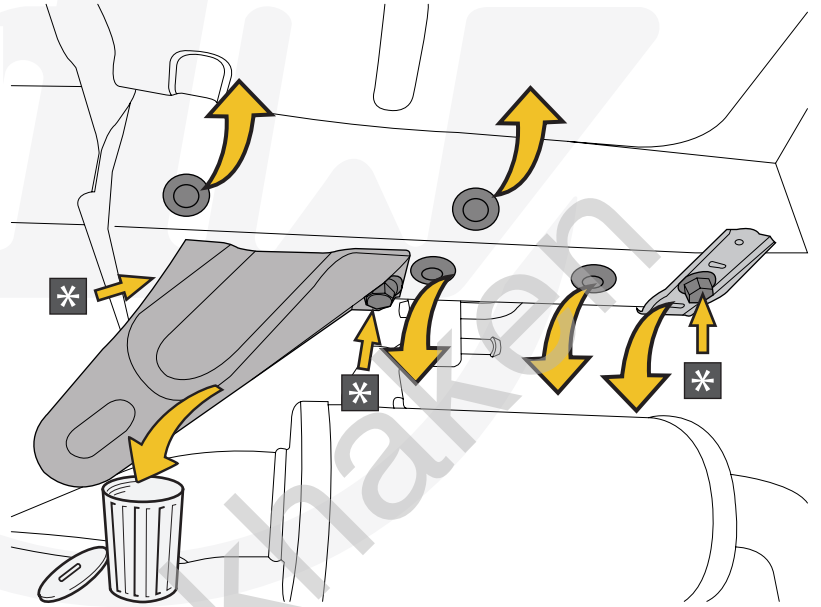
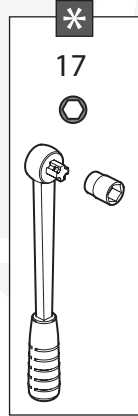
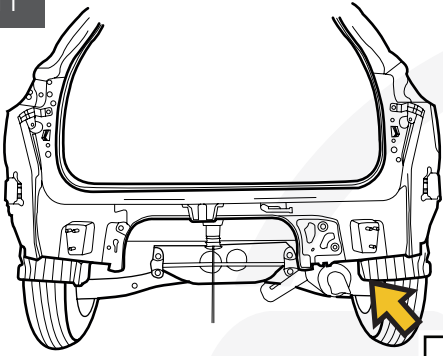
9



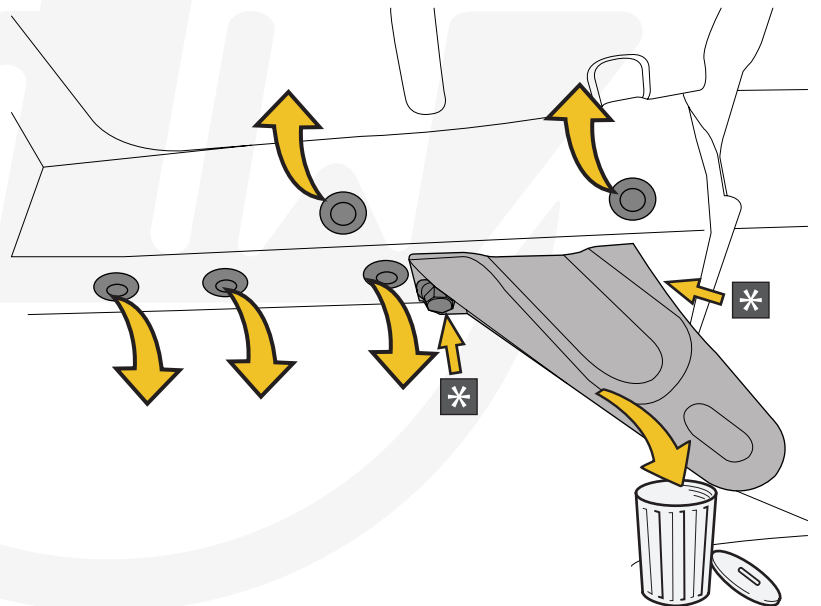
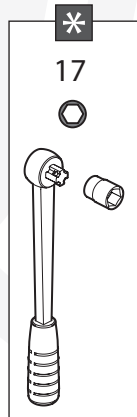
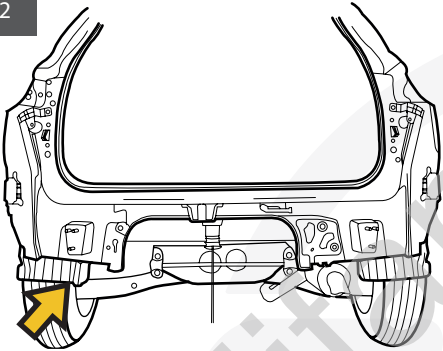
10



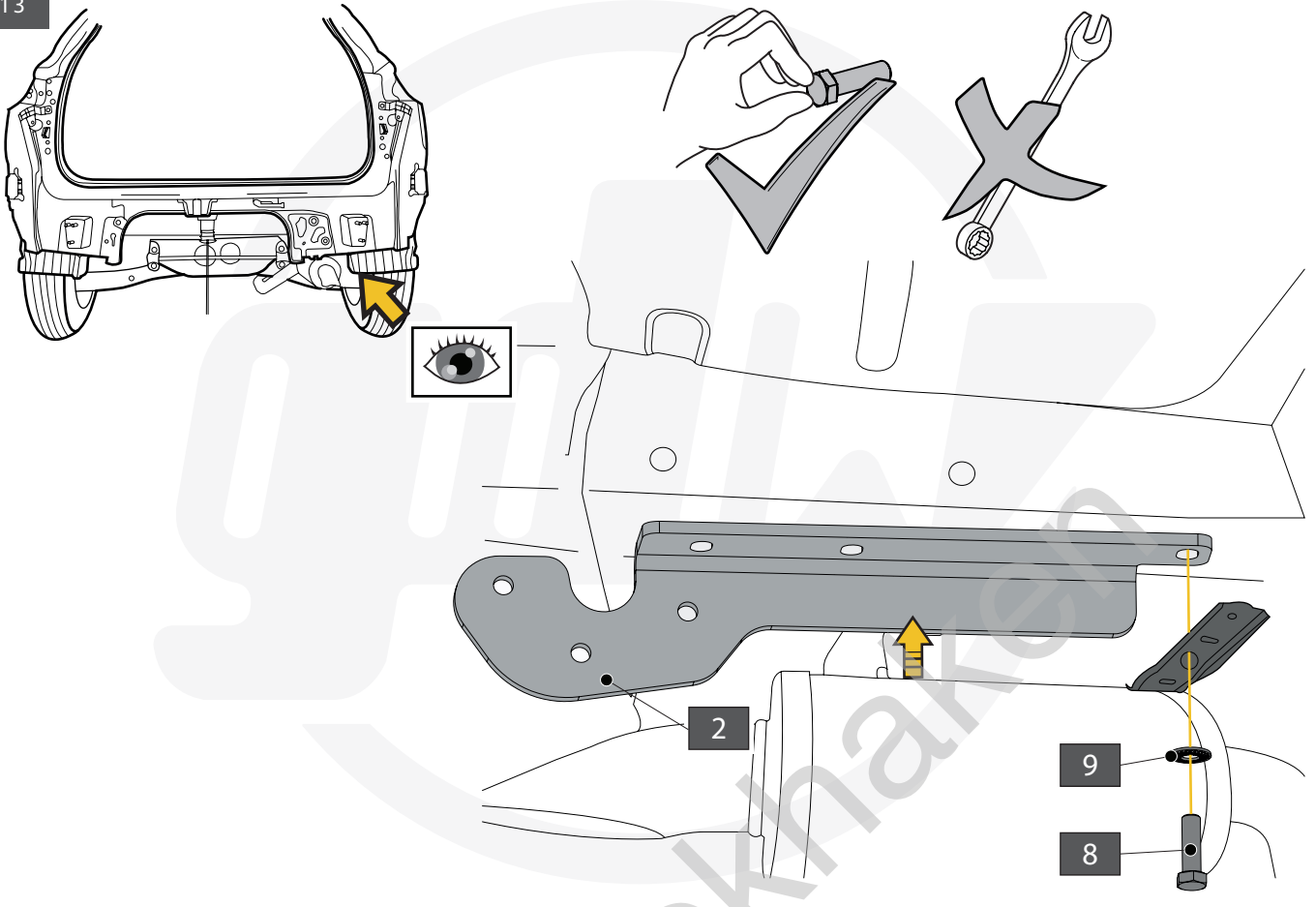
11



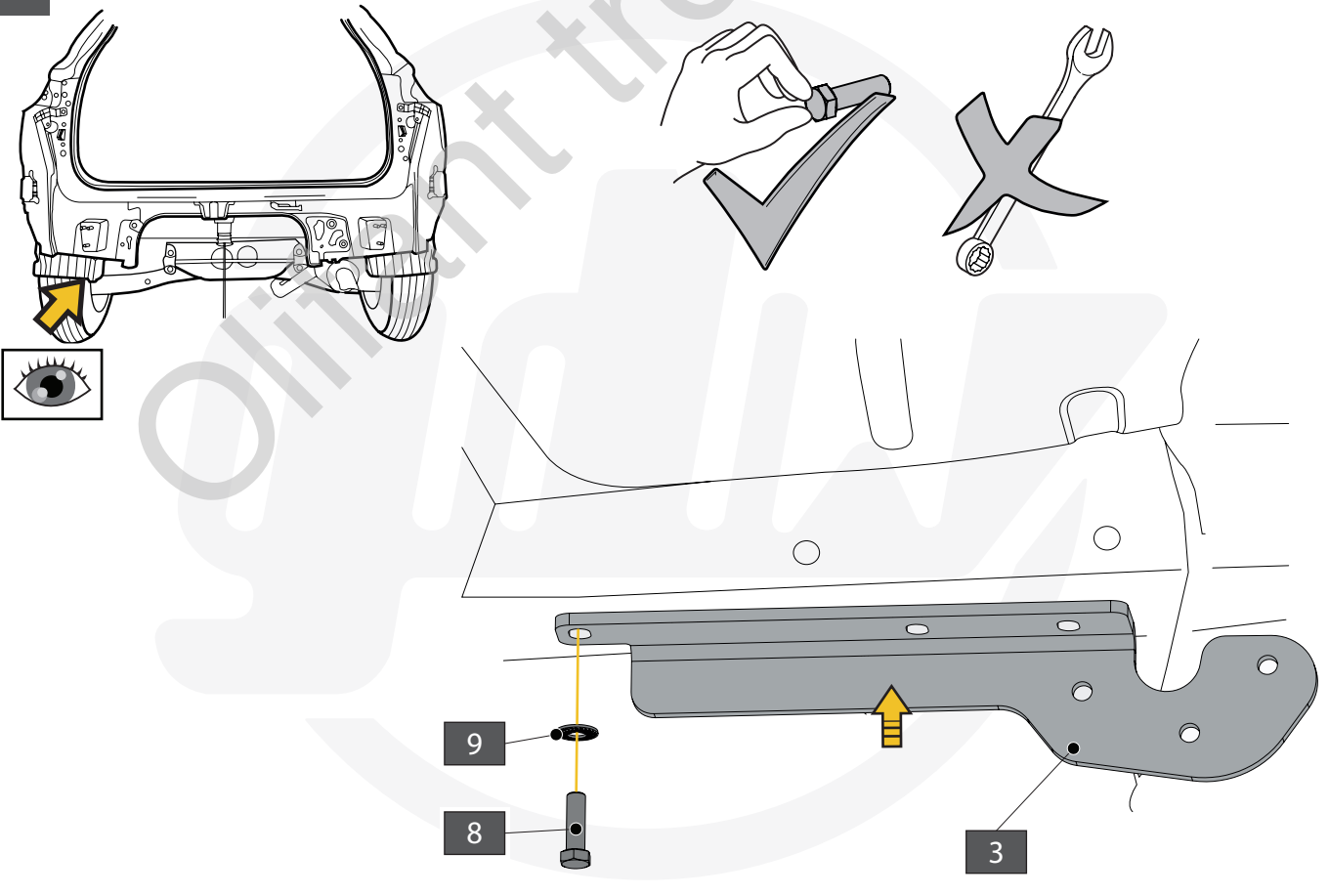
12



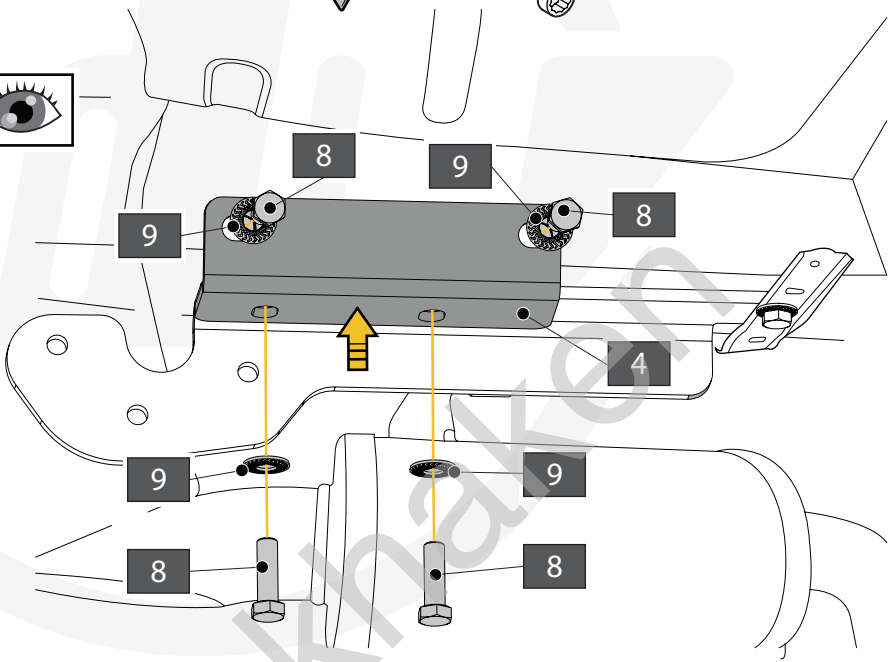
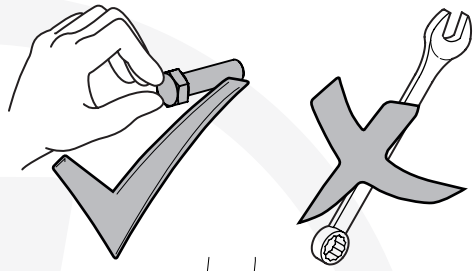
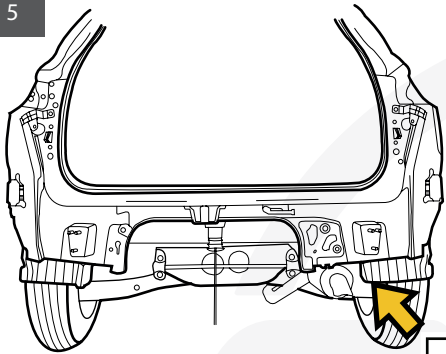
13



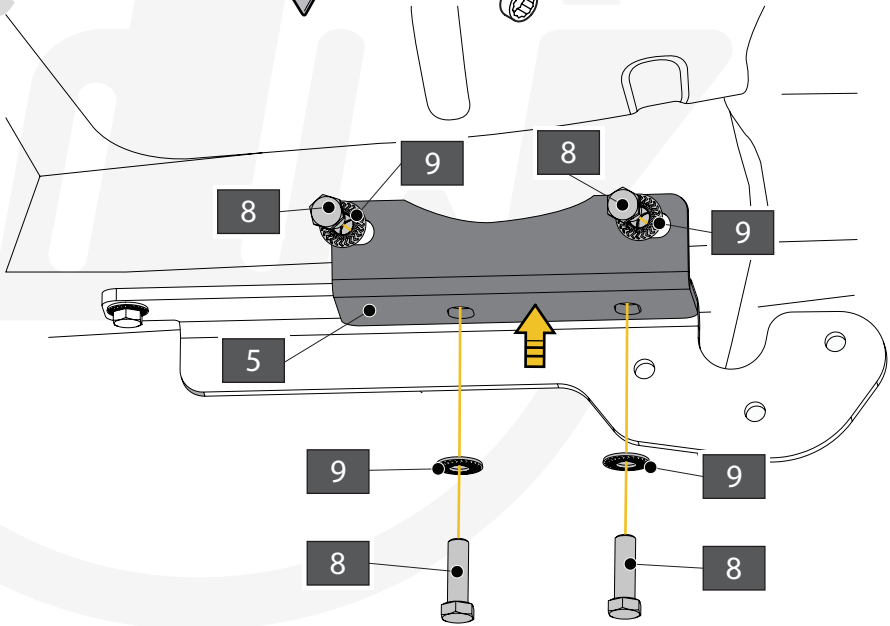
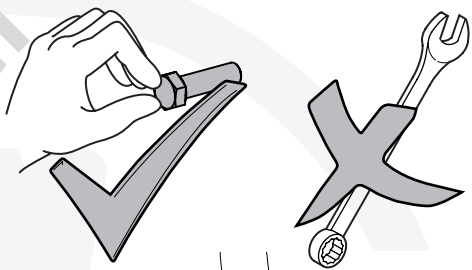
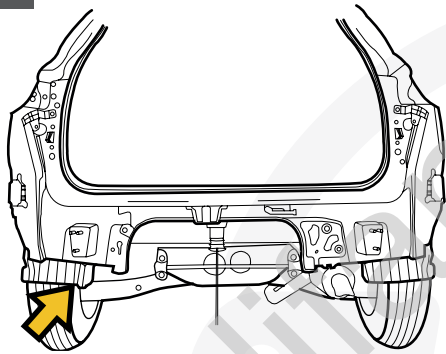
14

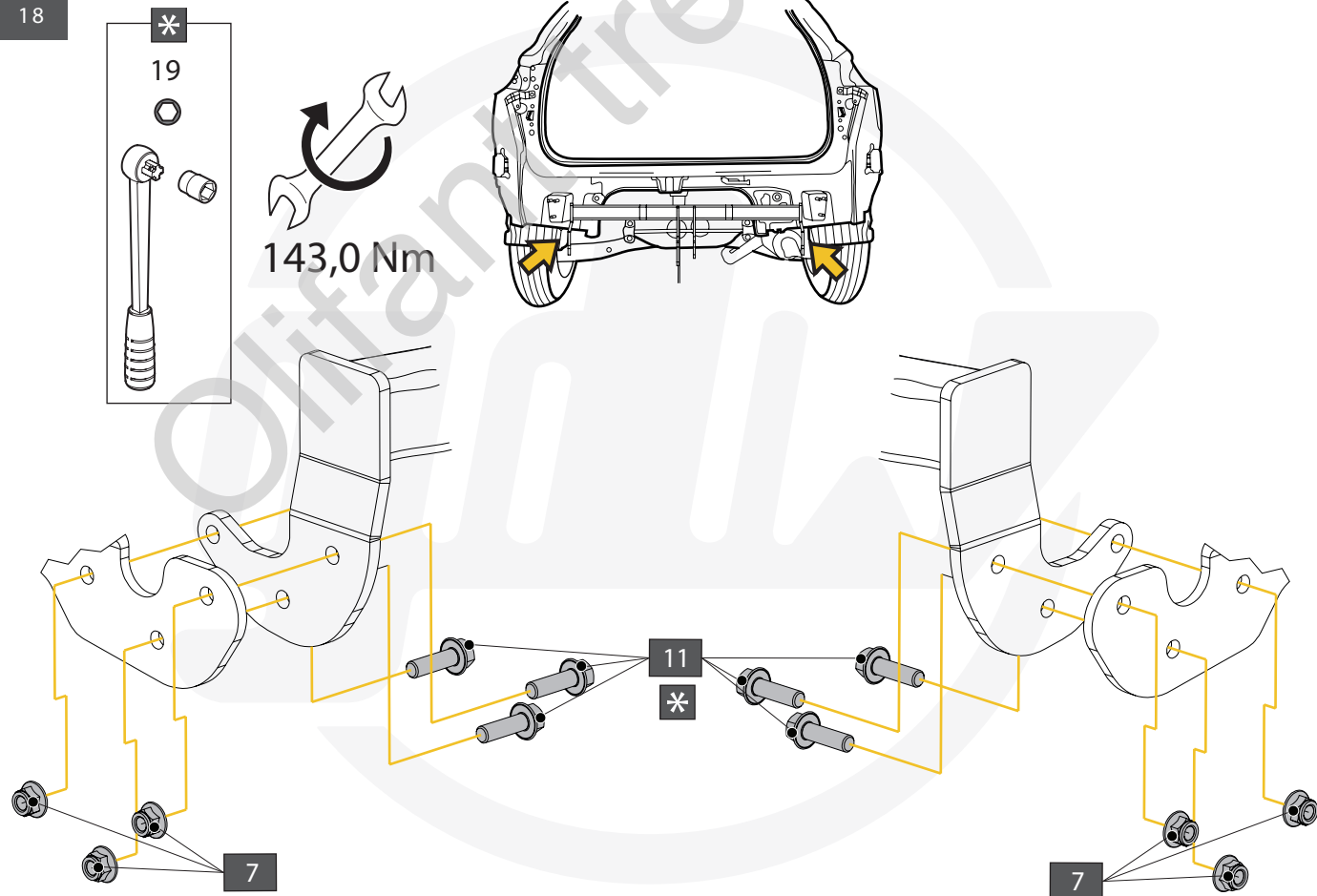
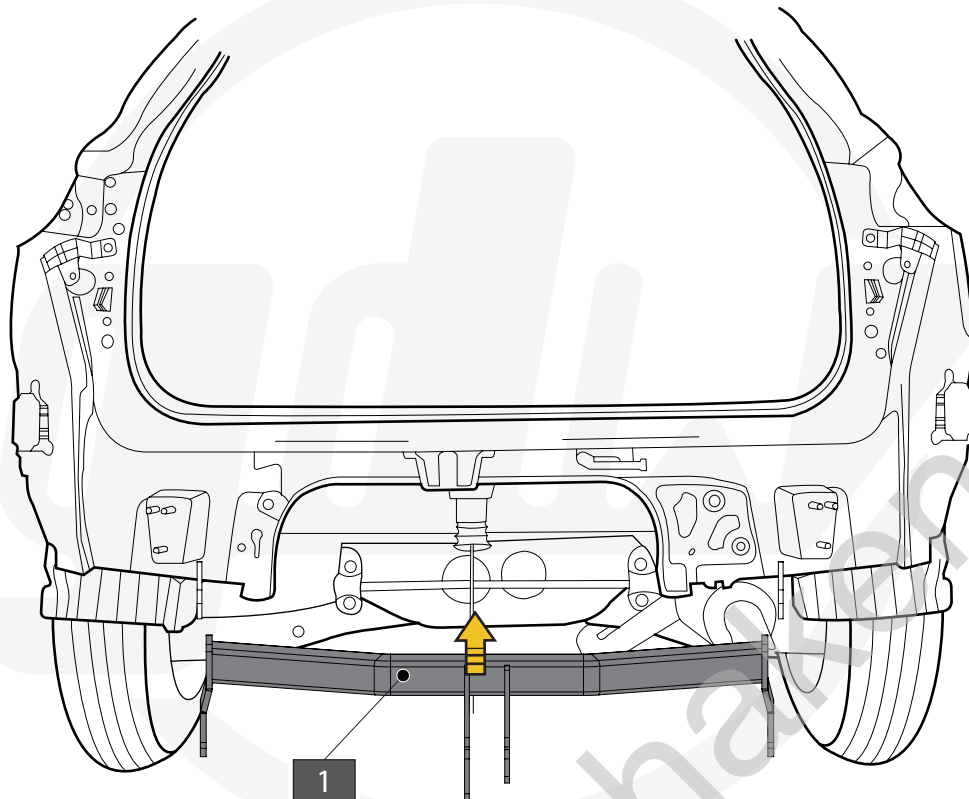


15

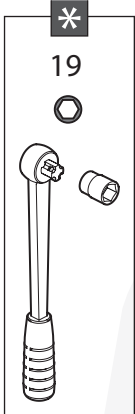


16

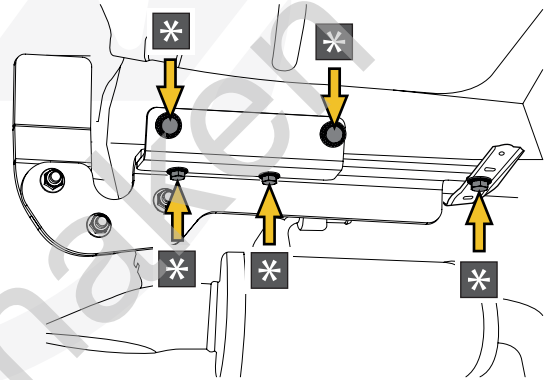
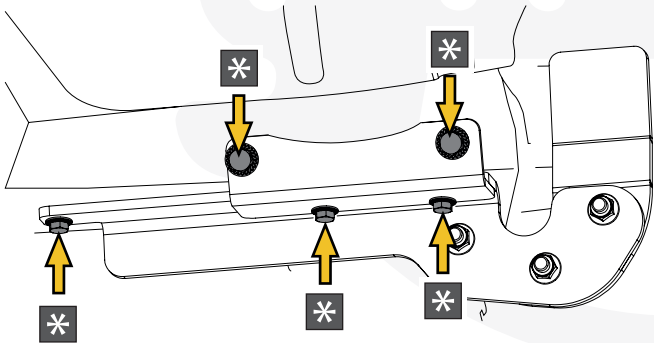
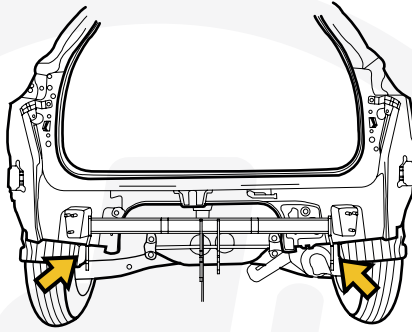




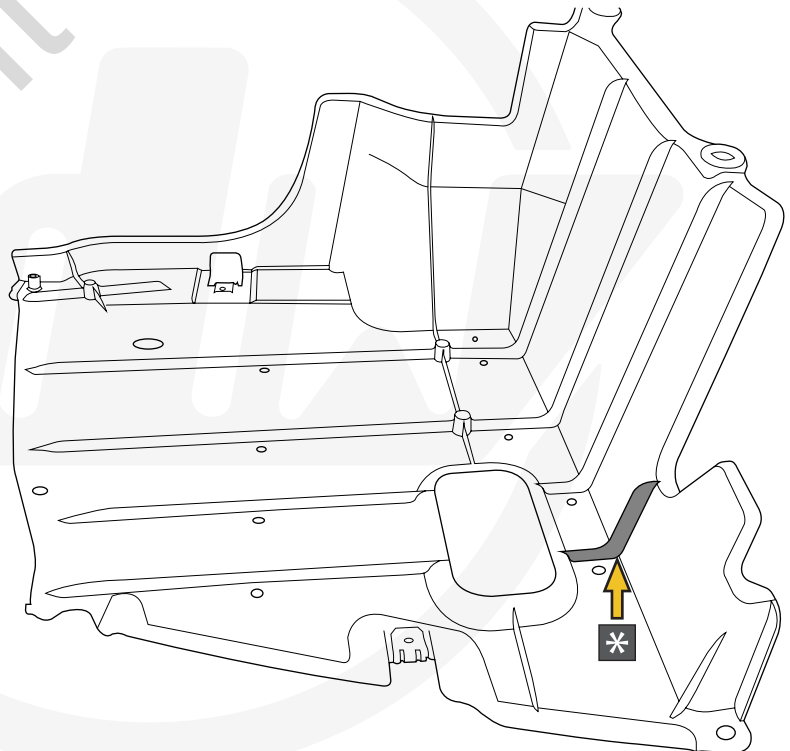
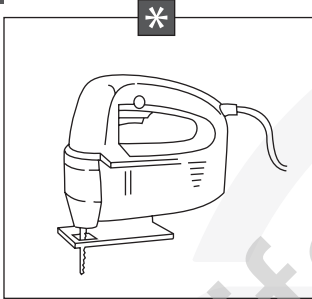
19

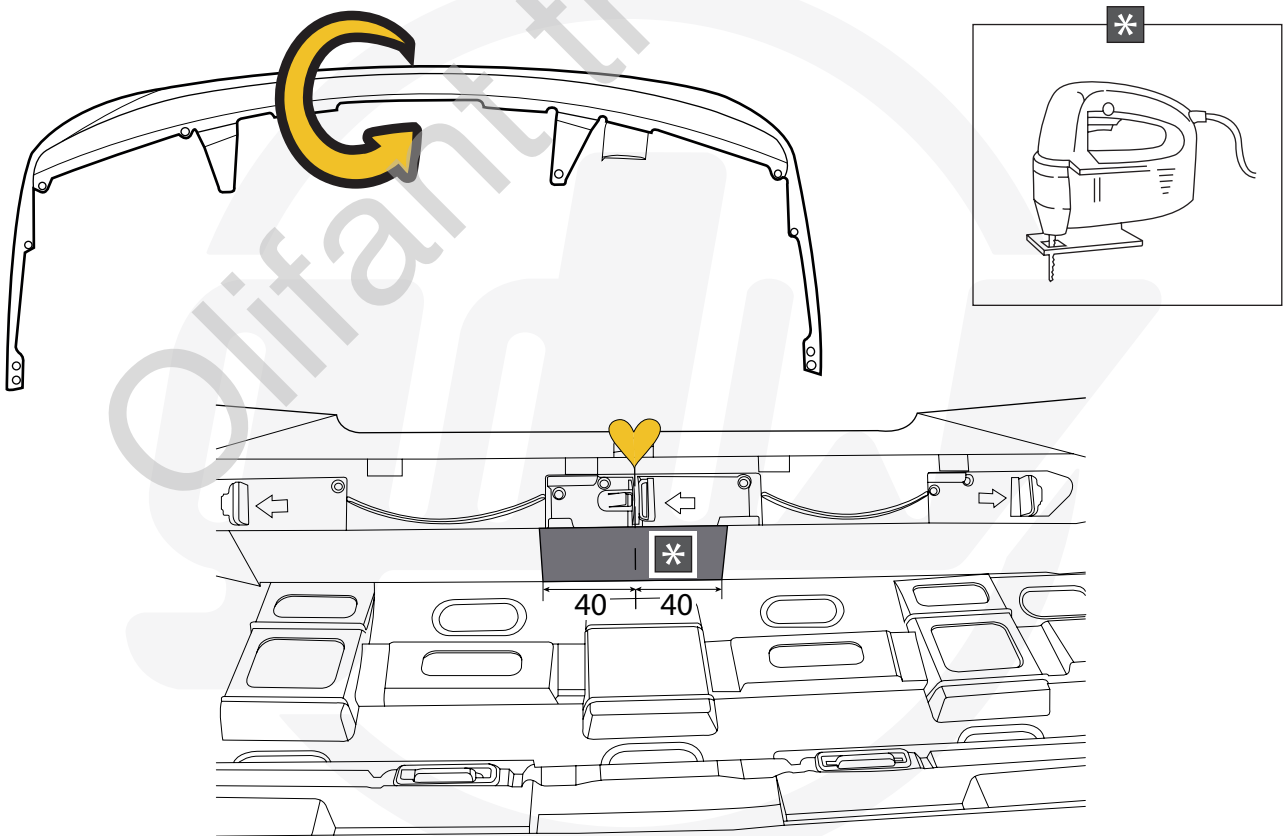
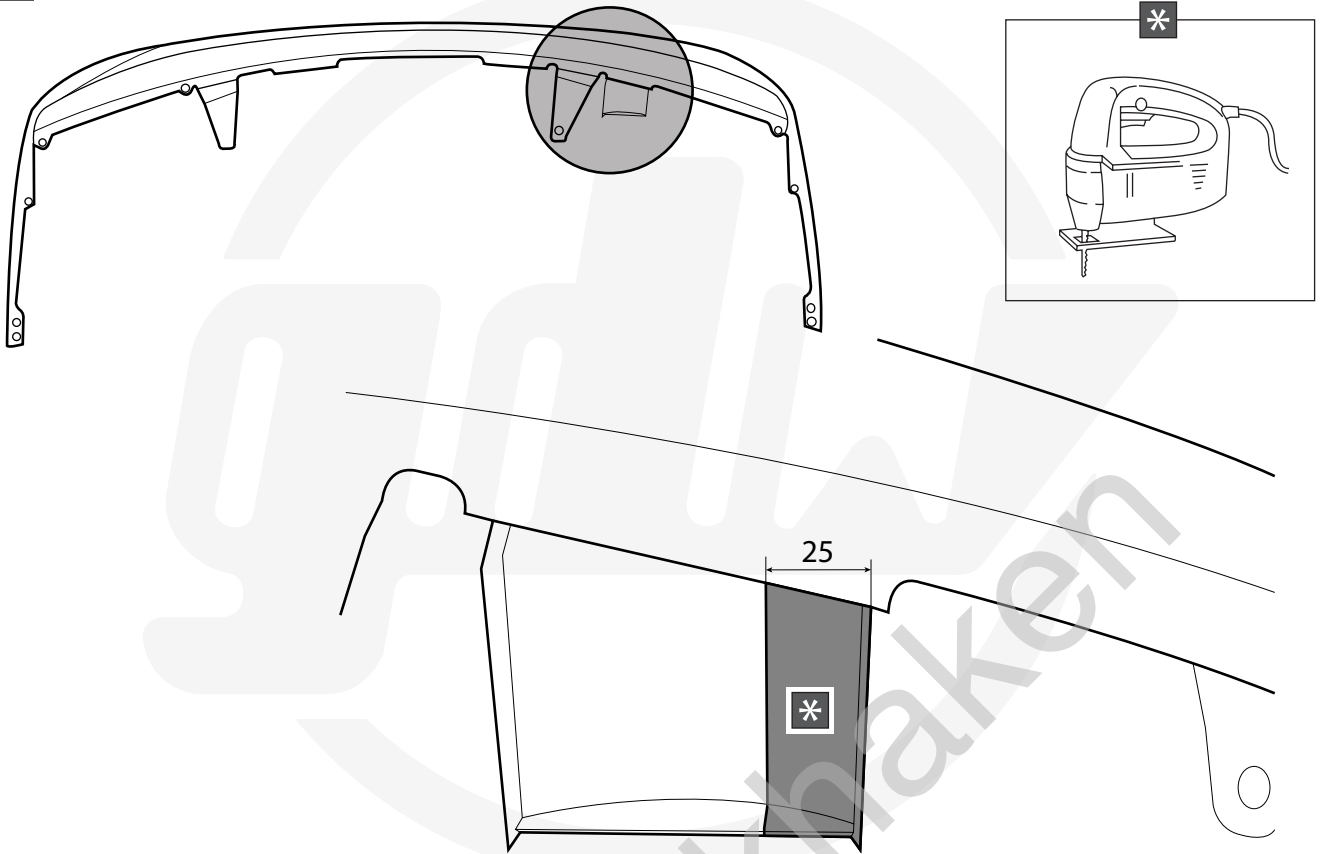


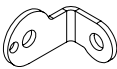




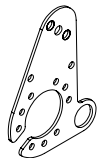

149,0 Nm

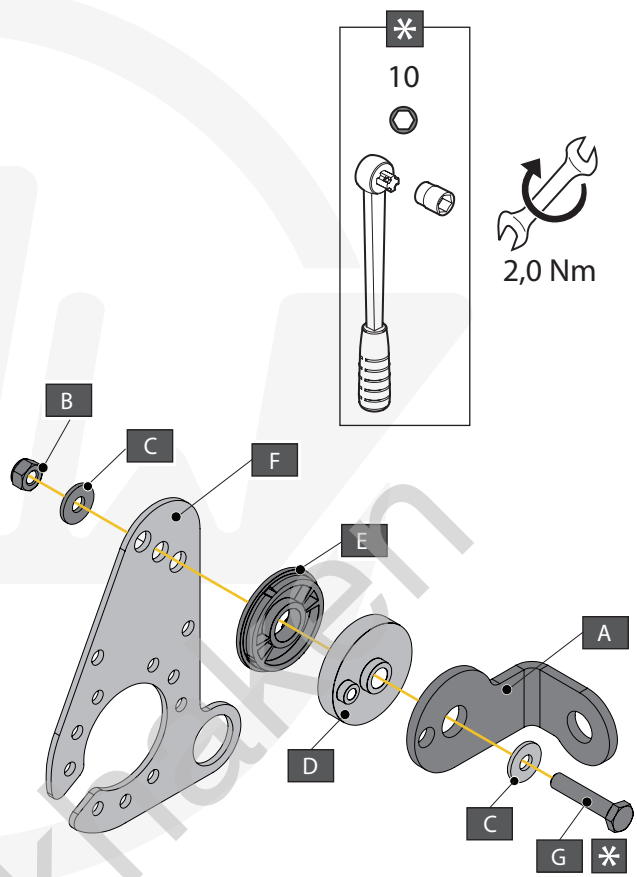



20





A		X1	GDW REF. 908.095
B		X1	DIN985-M6
C		X2	6,2 X 15,4 X 1,6 (NYLON)
D		X1	GDW REF. 718.16.002
E		X1	GDW REF. 718.16.003
F		X1	GDW REF. 908.094
G		X1	DIN933-M6 X 30



A		X1	GDW REF. 912.003
---	---	----	------------------

