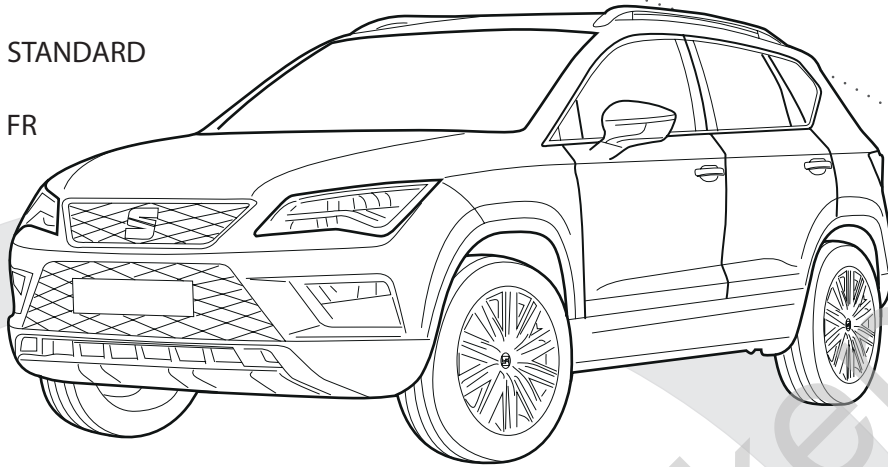




## Seat Ateca (type KH7)

06/'16 - 12/'20

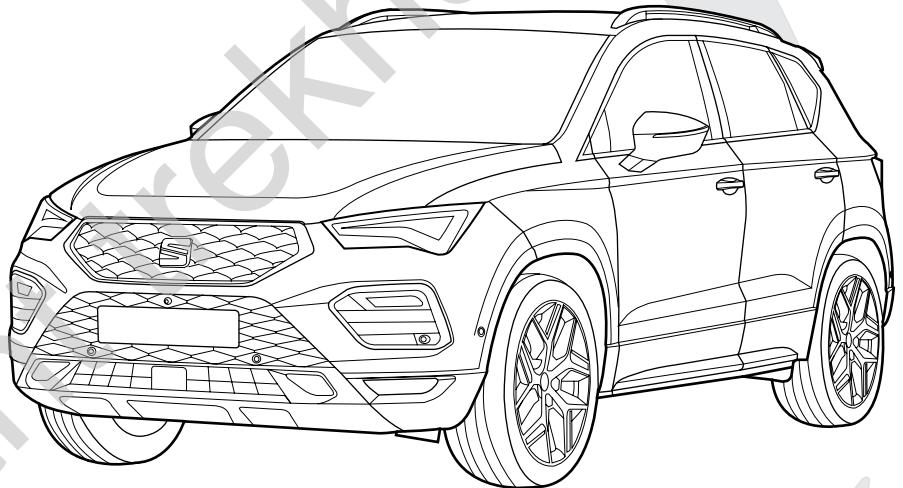
- ✓ STANDARD
- ✓ FR



## Seat Ateca Facelift (type KH7, KHP)

01/'21 -

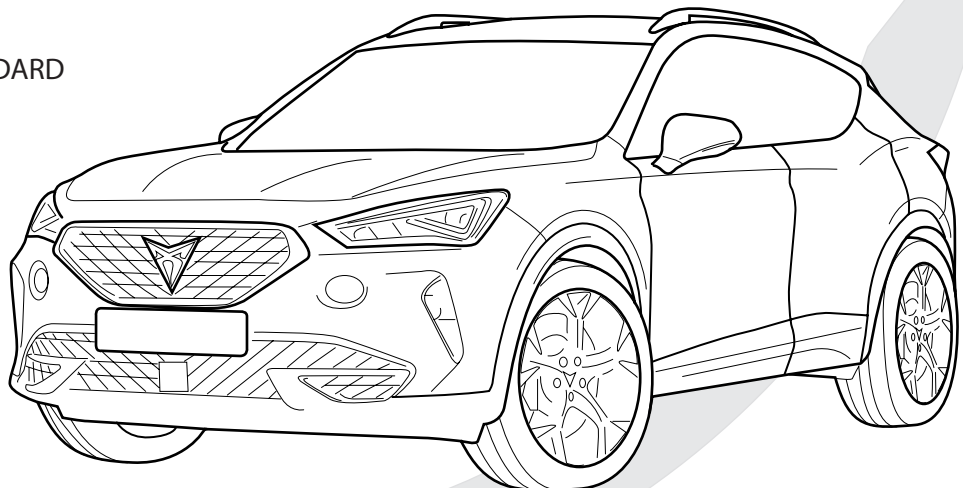
- ✓ STANDARD
- ✓ FR



## Cupra Formentor (KM7)

08/'20 -

- ✓ STANDARD
- ✗ vz5



**Panel 1: Packaging**  
 ! Intact packaging (green check) vs. damaged packaging (red X). Eye icon.

**Panel 2: Manual & Rust Protection**  
 ! Reading the manual (hand icon) and applying ANTI-RUST spray (spray can icon).

**Panel 3: Drilling**  
 ! Drilling into the car chassis (drill icon) with eye icon.


**Panel 4: Inspection**  
 ! Inspecting the car for damage (car icon) and using a magnifying glass (magnifying glass icon).

**Panel 5: Mounting**  
 ! Correct bracket placement (green check) vs. incorrect placement (red X).

**Panel 6: Greasing**  
 ! Greasing the tow bar (grease can icon) with a 0 km + 1000 km interval (1 icon).

**Panel 7: Final Checks**  
 ! License plate alignment (1-XXX-XXX) and light alignment (light icon).

**Contact Information:**  
 +32 56 62 77 79  
 helpdesk@gdwtowbars.com


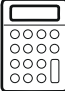
MADE BY  **D 10,65** **F** **E6**

BELGIUM **S 110** EC-N° 55R-02 1657


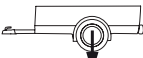
REF N° 2560T60 SERIAL N° XXXX

**DESCRIPTION**

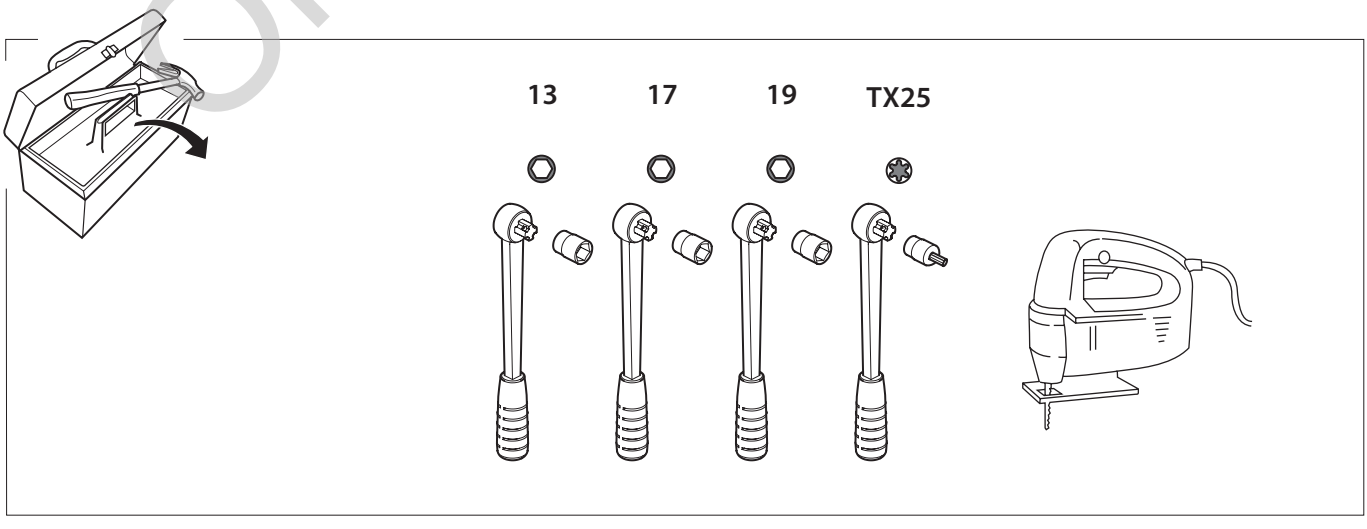
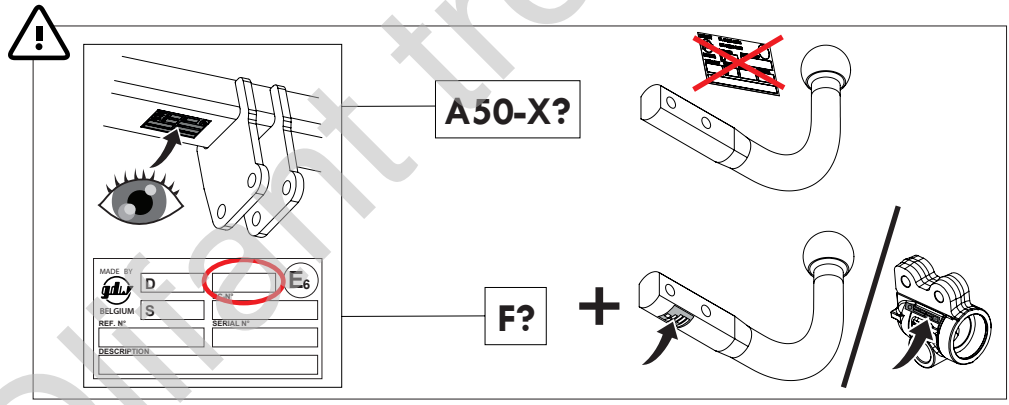
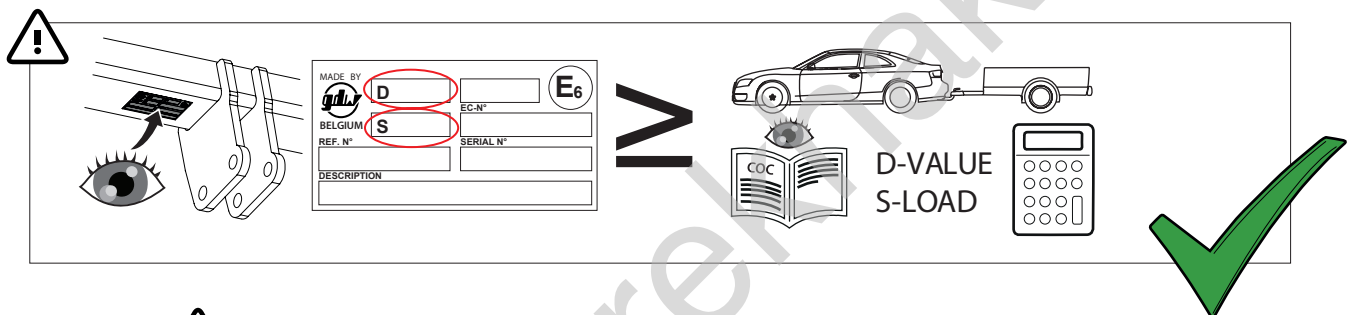
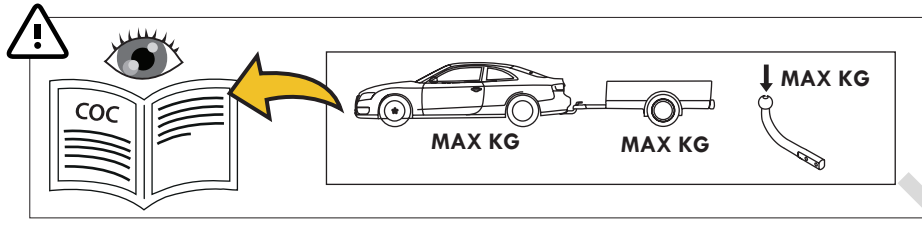
Seat Ateca + Ateca facelift + Cupra Formentor

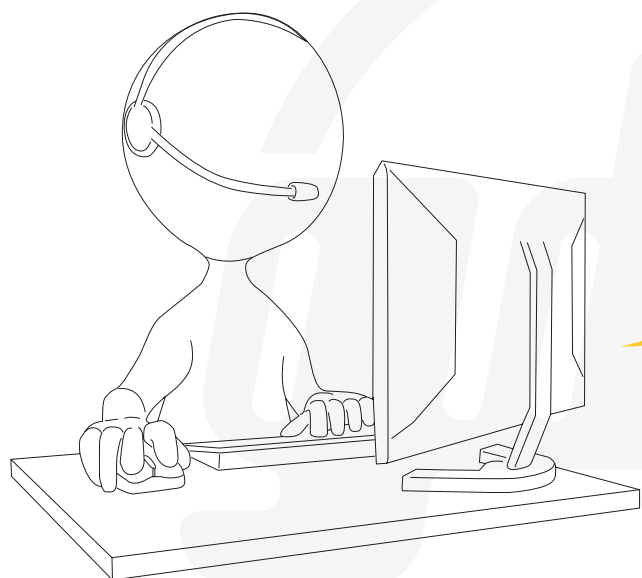
 

**D =**  $\frac{\text{max kg} \times \text{max kg}}{\text{max kg} + \text{max kg}} \times 0.00981 \leq 10,65 \text{ kN}$

**S =**   $\leq 110 \text{ kg}$    $\leq 2200 \text{ kg}$

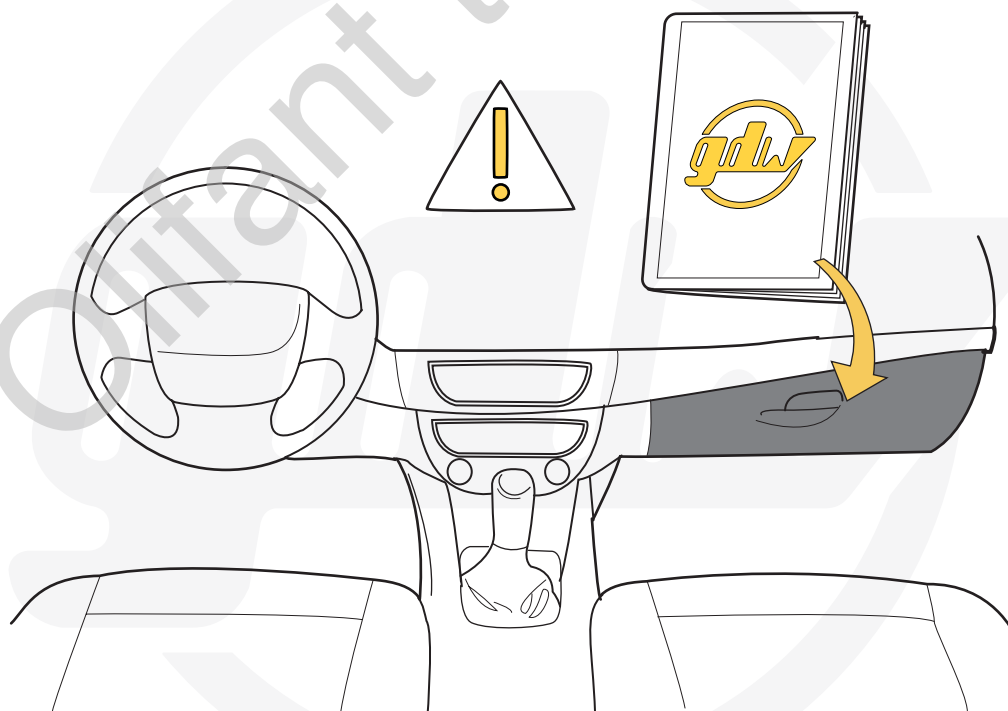
See the Certificate Of Conformity (COC) of your vehicle or contact your dealer to verify the max. trailer weight of your car!

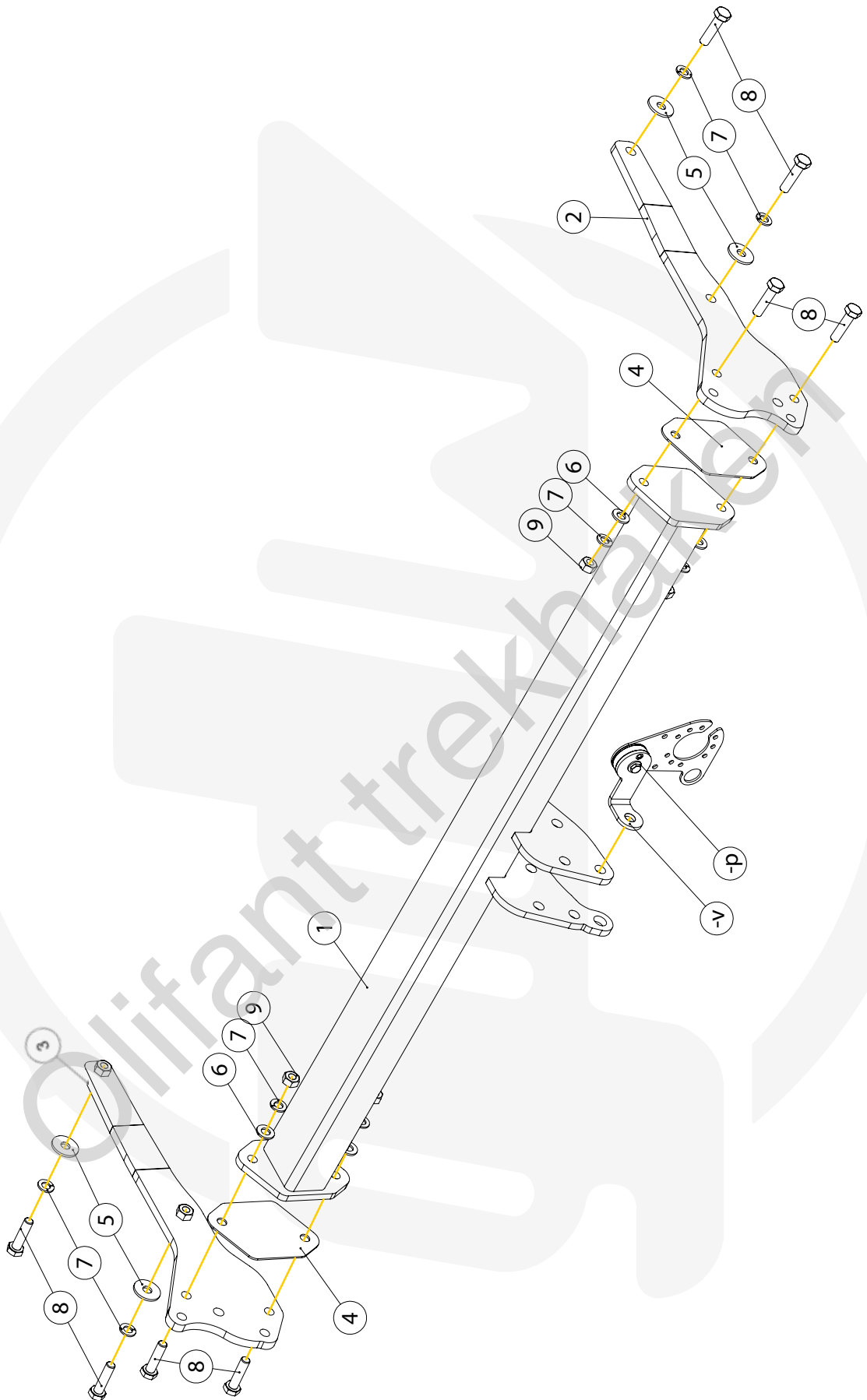


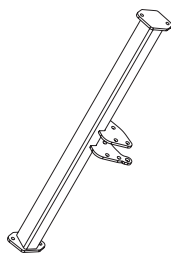
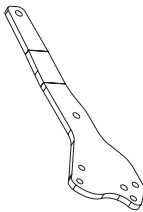
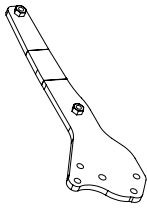
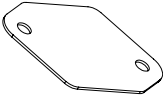
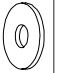

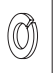




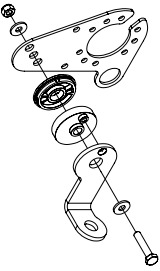




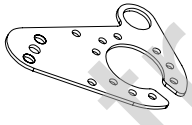
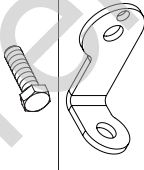

**helpdesk@gdwtowbars.com**  
**+32 56 62 77 79**

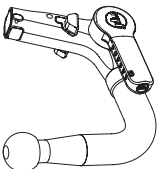

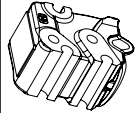
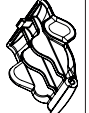

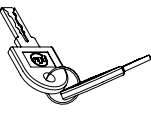

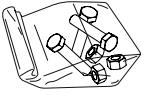




Monday	08:00 - 12:00	12:30 - 16:30
Tuesday	08:00 - 12:00	12:30 - 16:30
Wednesday	08:00 - 12:00	12:30 - 16:30
Thursday	08:00 - 12:00	12:30 - 16:30
Friday	08:00 - 12:00	12:30 - 15:30





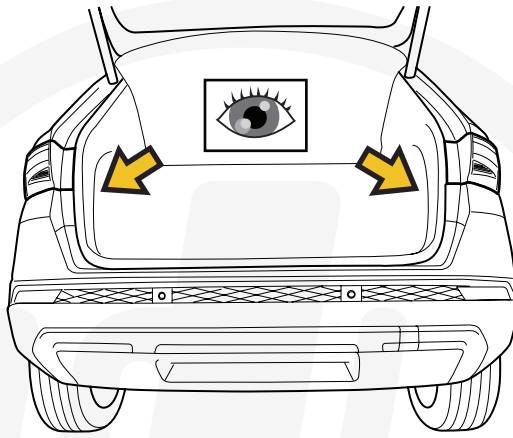
1		X1	GDW REF. 2560160
2		X1	GDW REF. 2
3		X1	GDW REF. 3
4		X2	GDW REF. 4
5		X4	DIN9021-M10-ELVZ
6		X4	DIN125-A10-140HV-ELVZ
7		X8	DIN128A-M10
8		X8	DIN933-M10X40
9		X4	DIN934-M10

-P		X1	GDW REF. P47
↑		X1	DIN985-M6
↑		X2	6,2 X 15,4 X 1,6 (NYLON)
↑		X1	GDW REF. 718.16.002
↑		X1	GDW REF. 718.16.003
↑		X1	GDW REF. 908.094
↑		X1	DIN933-M6 X 30
↑		X1	GDW REF. 908.102

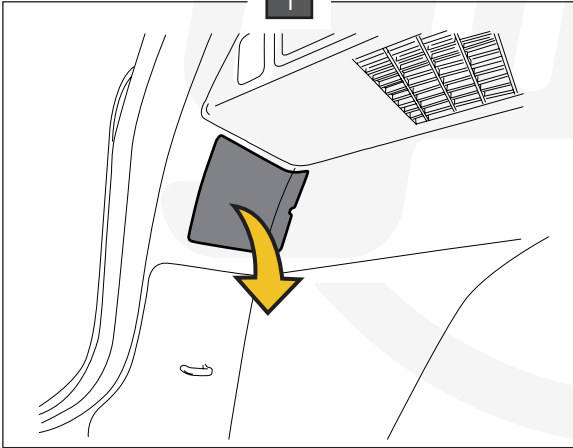
Geleverd met - Livré avec - Delivered with Geflefert mit - Elementos adjuntos-Leveres med		X1	GDW REF. 960.V0804
↑		X1	GDW REF. 740.200
↑		X1	GDW REF. 912.003
↑		X1	GDW REF. 740.112
↑		X1	GDW REF. 740.111
↑		X1	GDW REF. 740.12X X= LAST NUMBER ON KEY
↑		X1	GDW REF. 718.15.001
↑		X1	GDW REF. SYST60-10
↑		X3	DIN931-M12X110-8.8
↑		X3	DIN128A-M12
↑		X6	DIN125A-M12
↑		X3	DIN934-M12

1

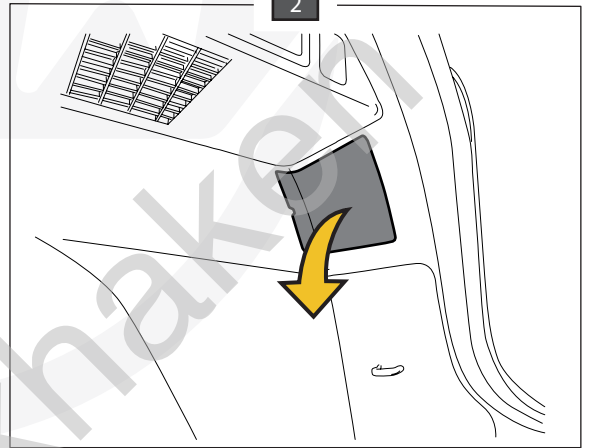
# SEAT ATECA



1

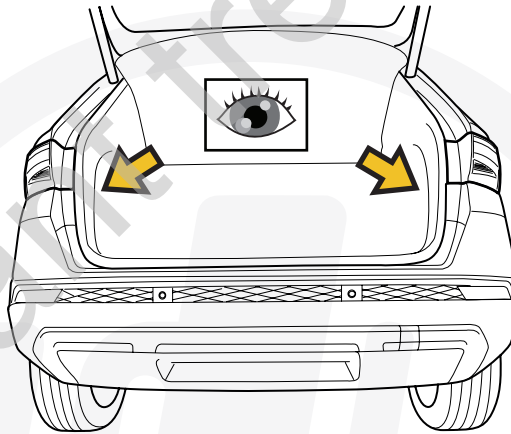


2

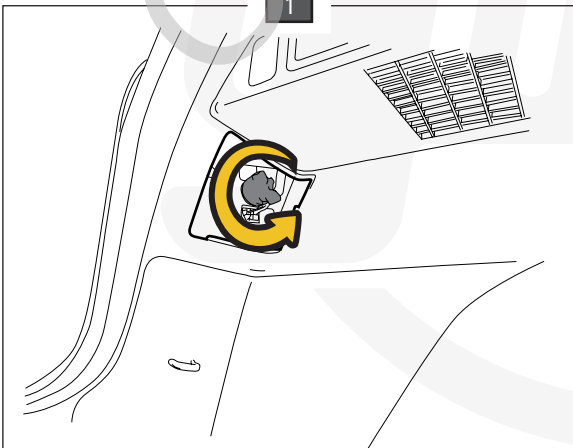


2

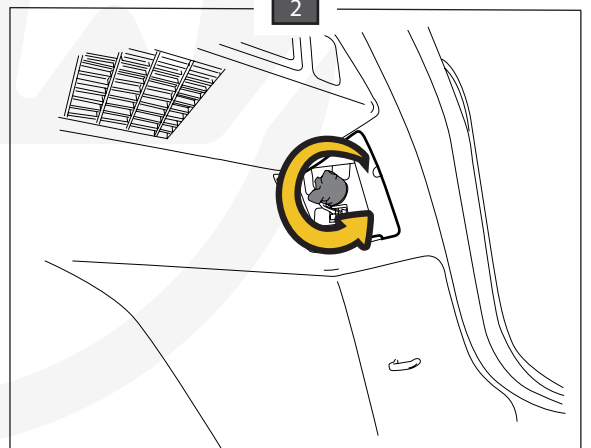
# SEAT ATECA



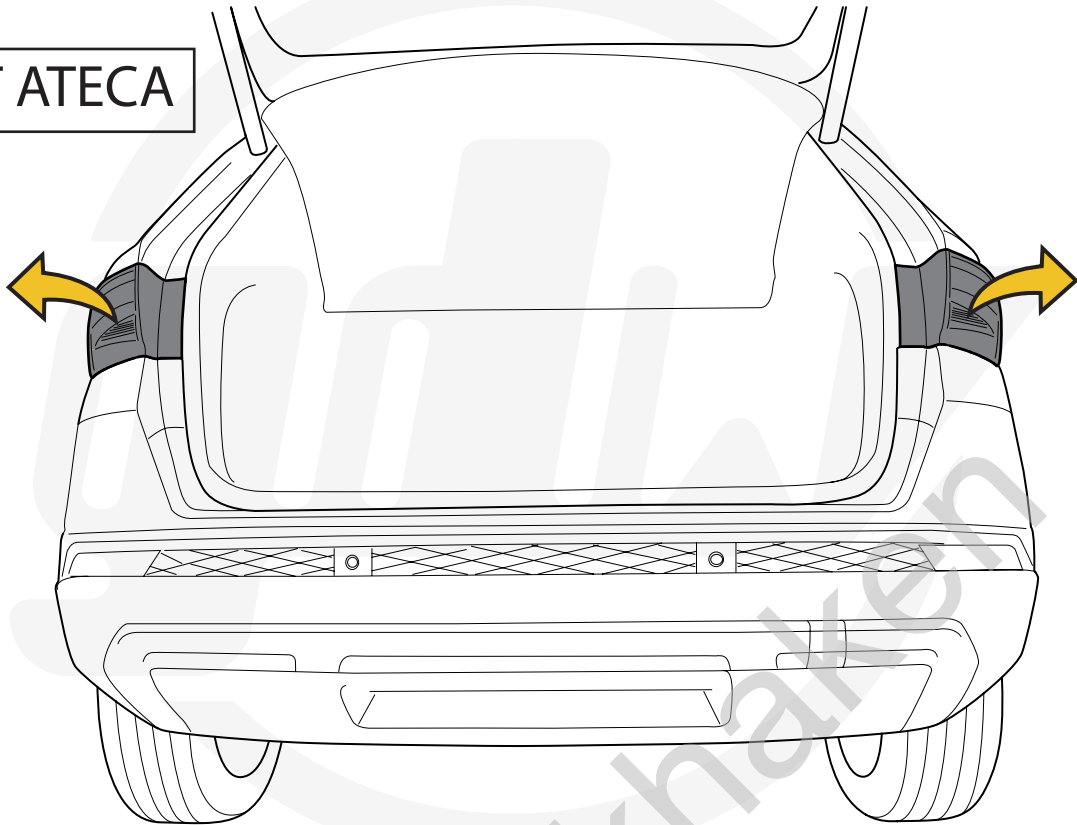
1



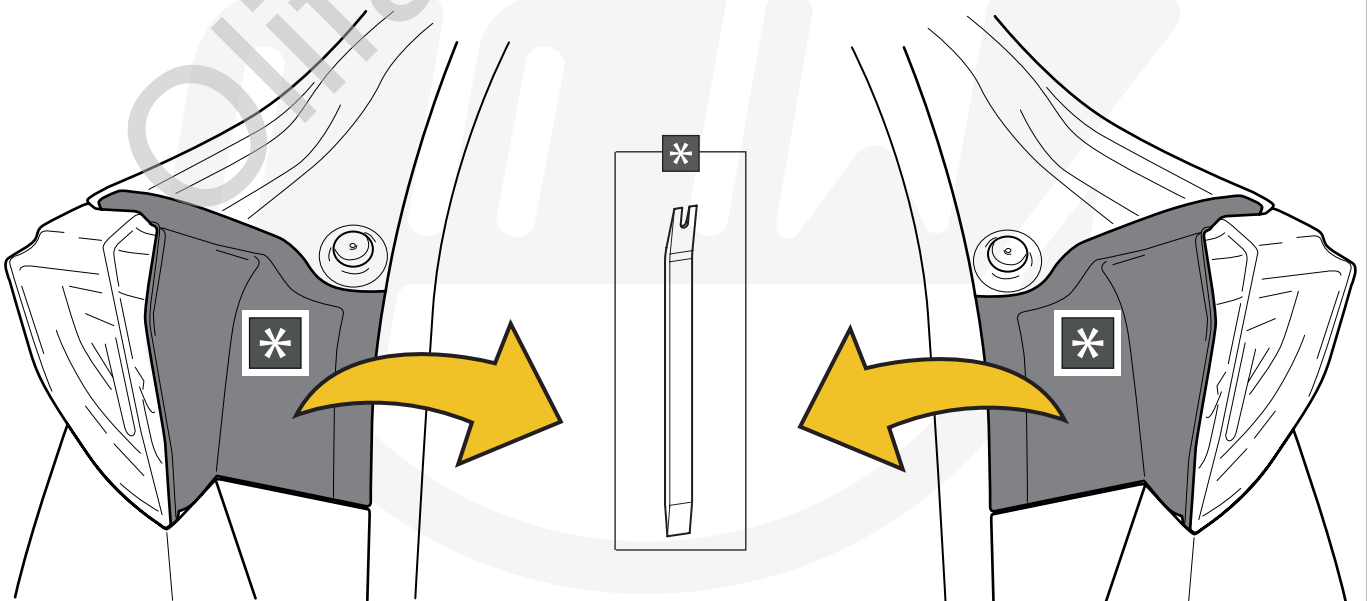
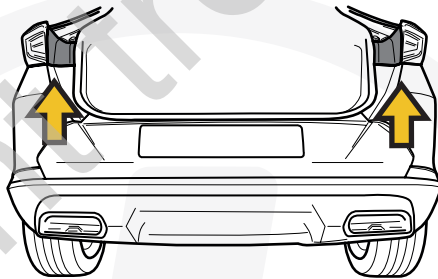
2



SEAT ATECA

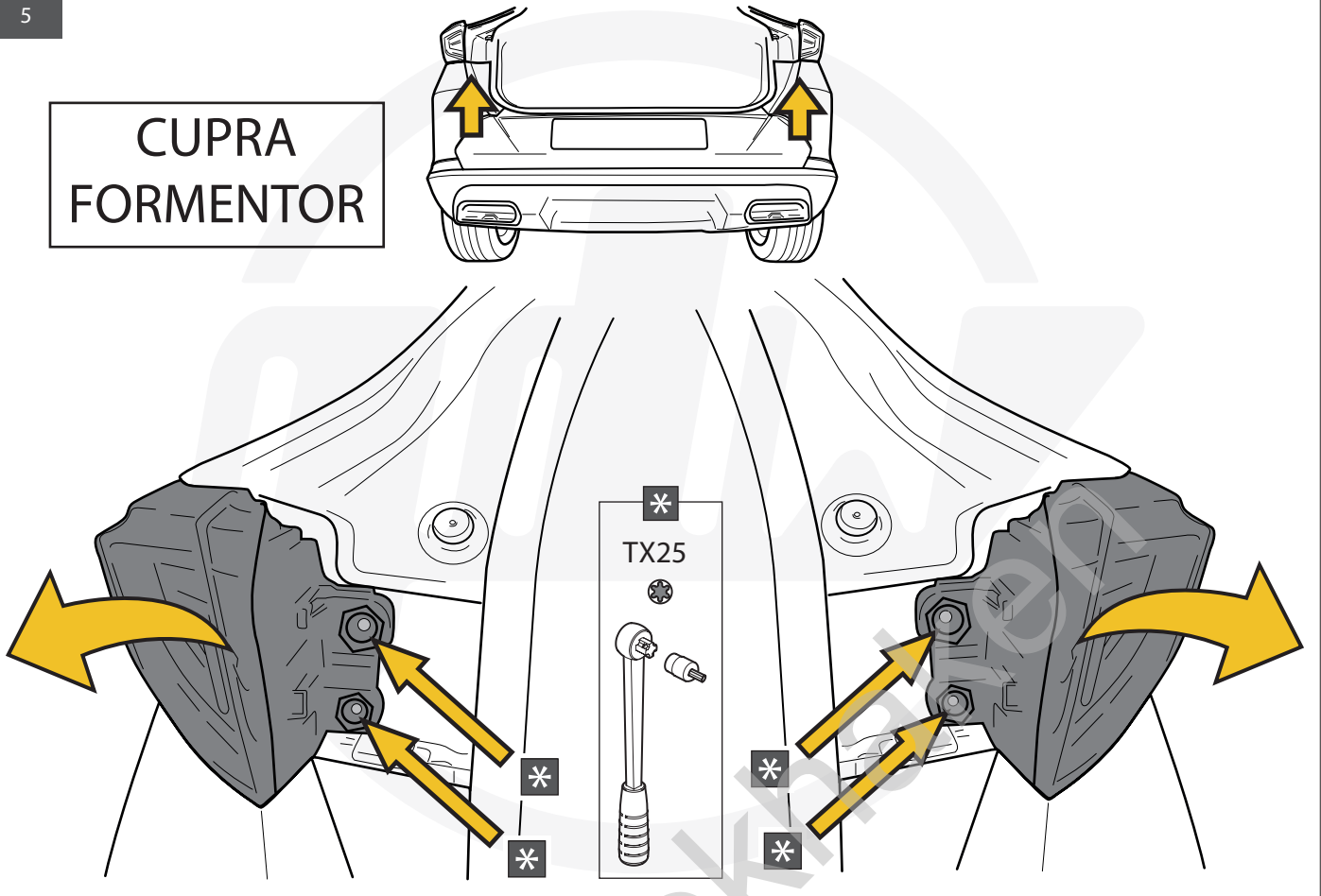


CUPRA FORMENTOR

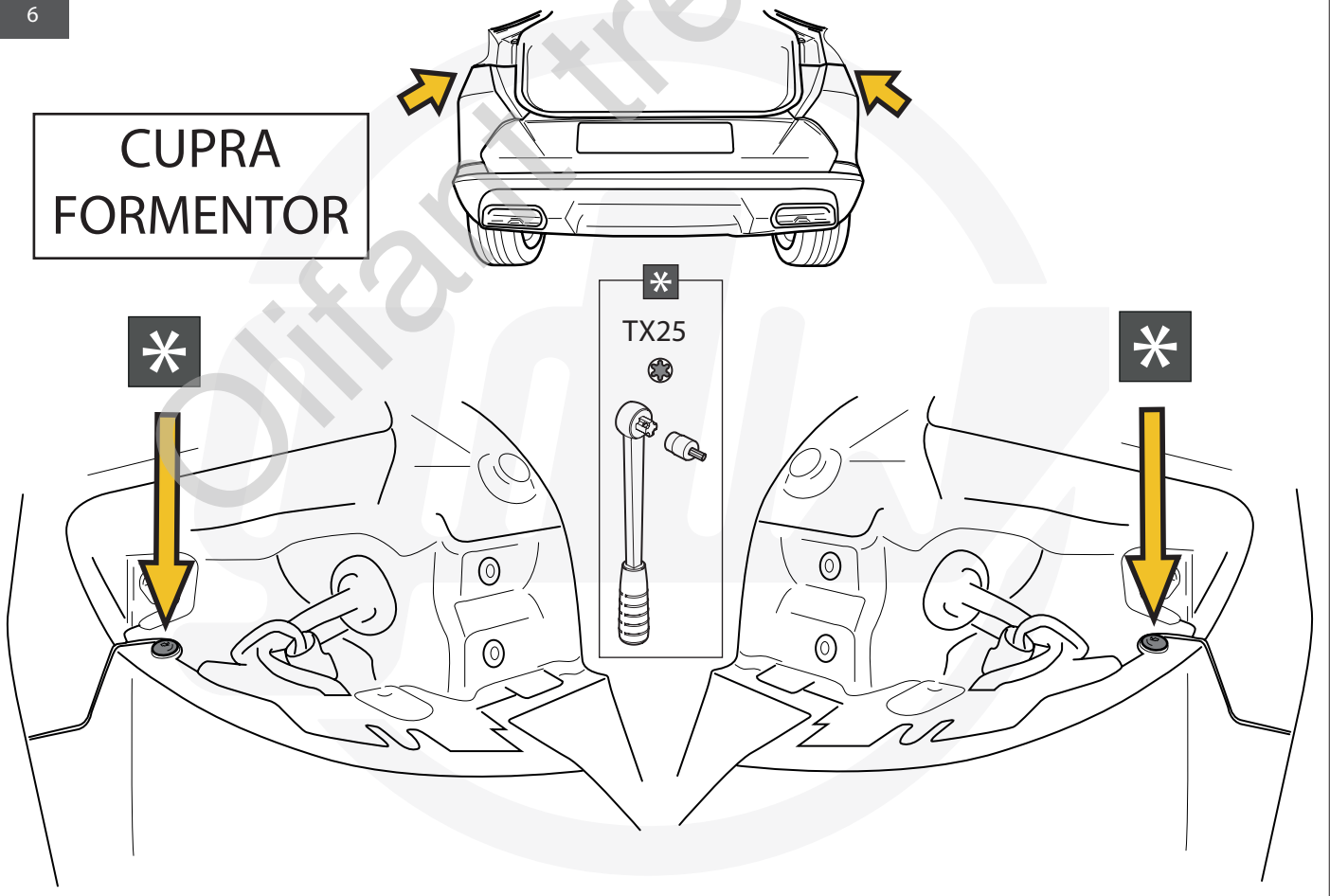


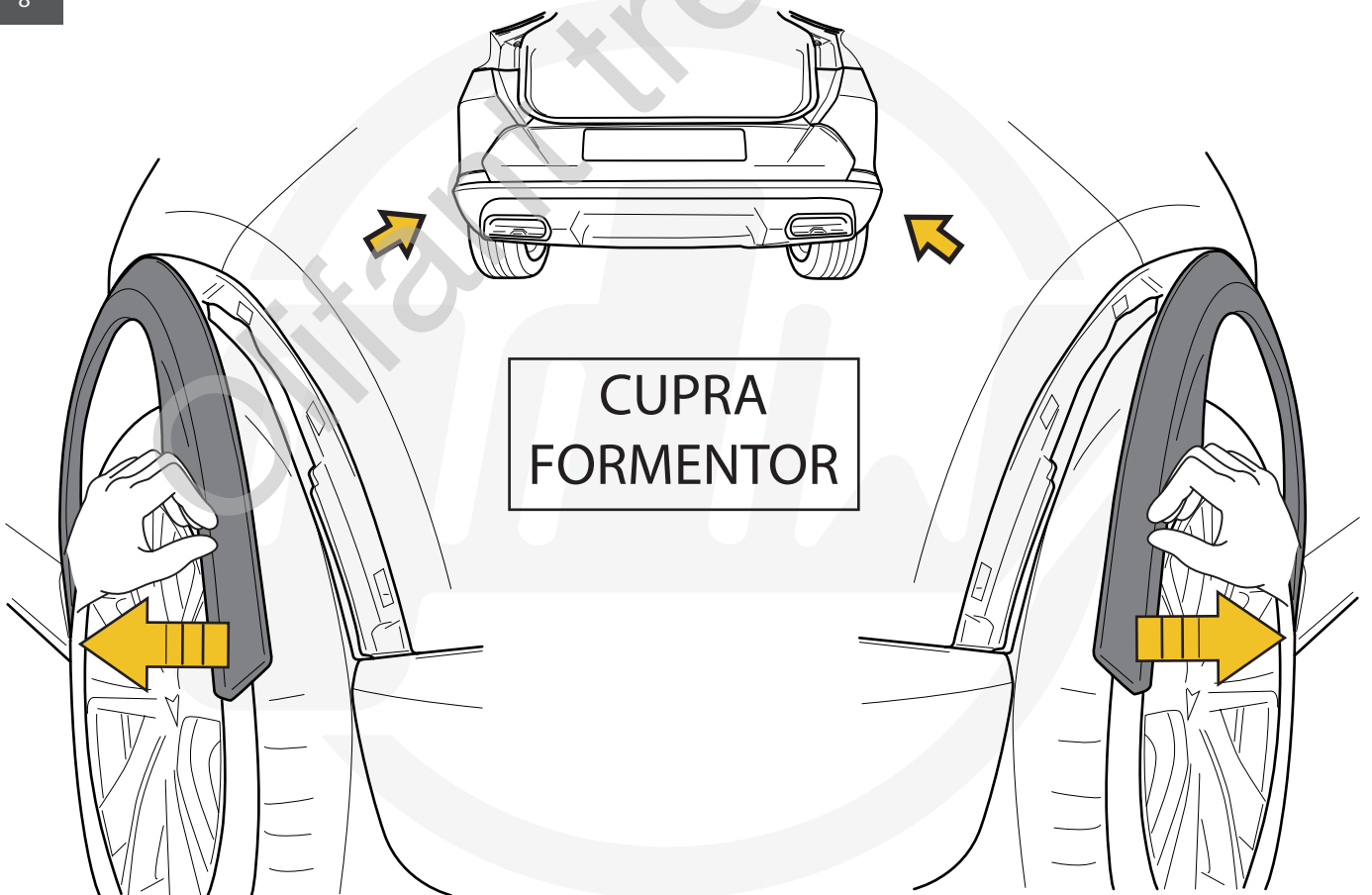
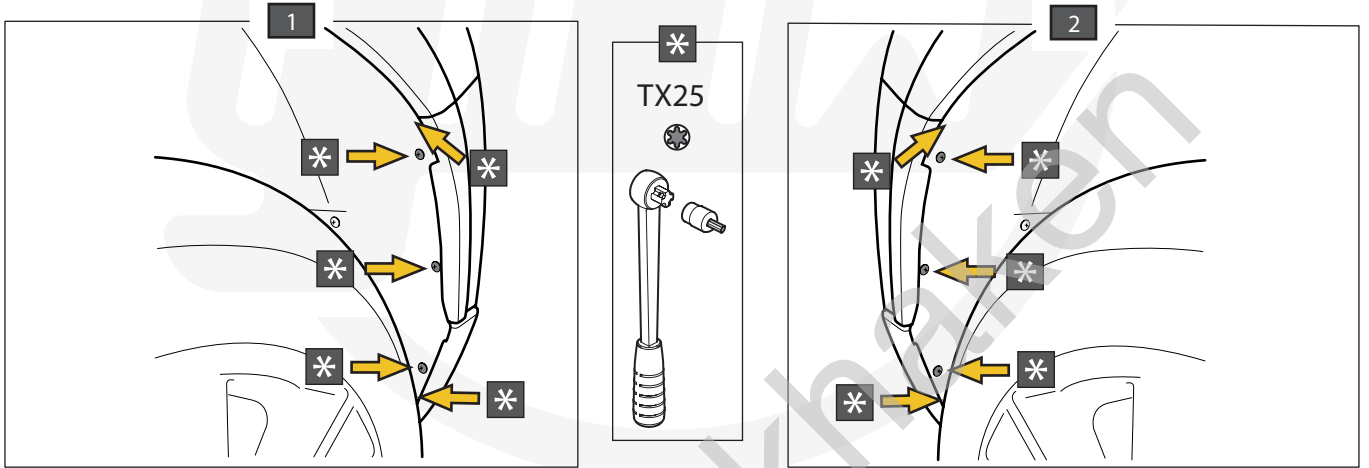
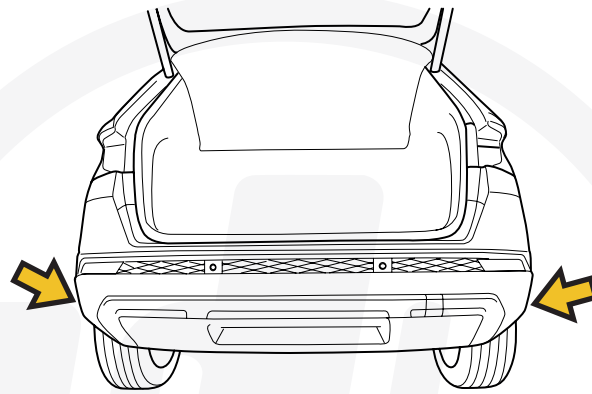


CUPRA  
FORMENTOR



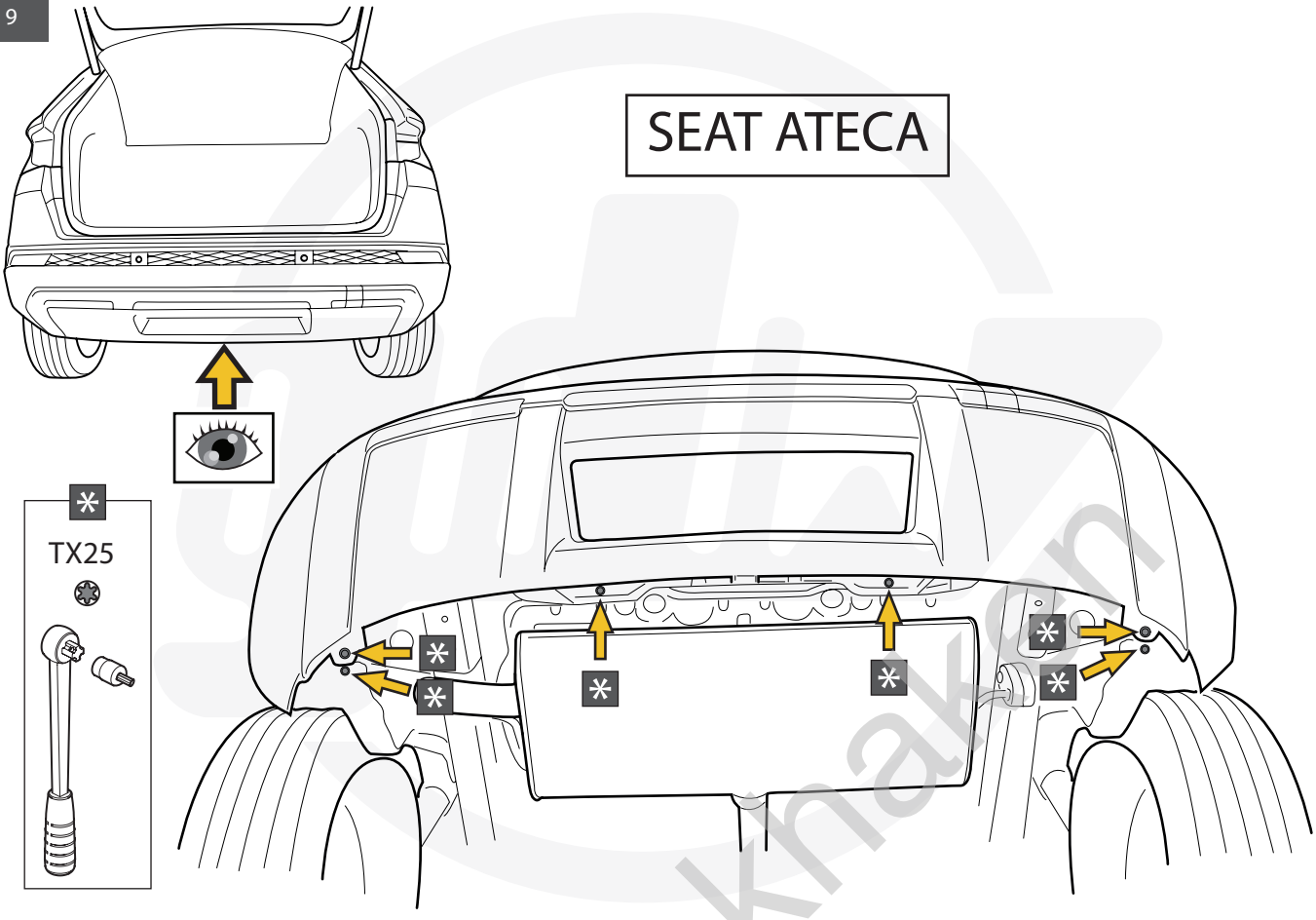
CUPRA  
FORMENTOR





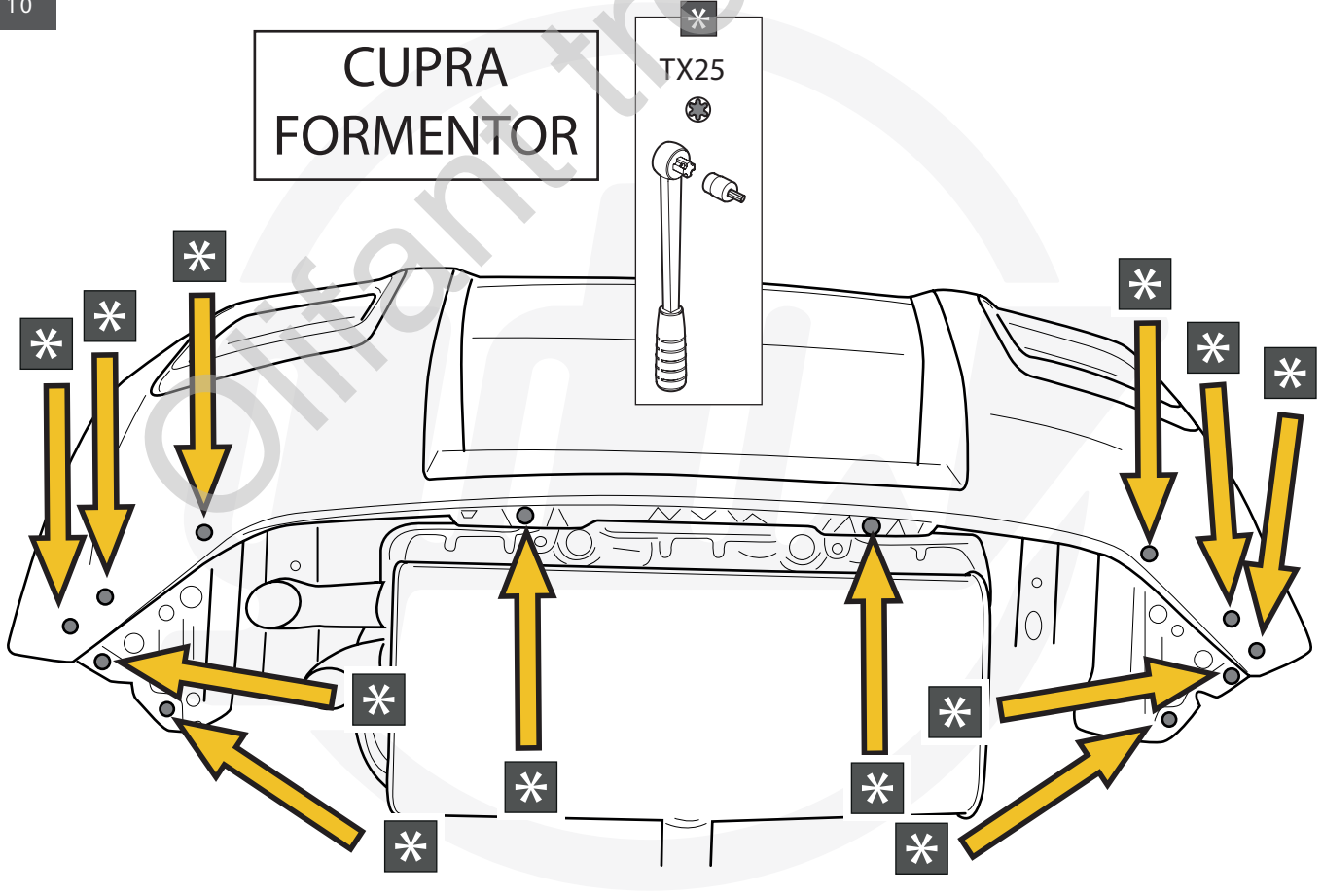
9

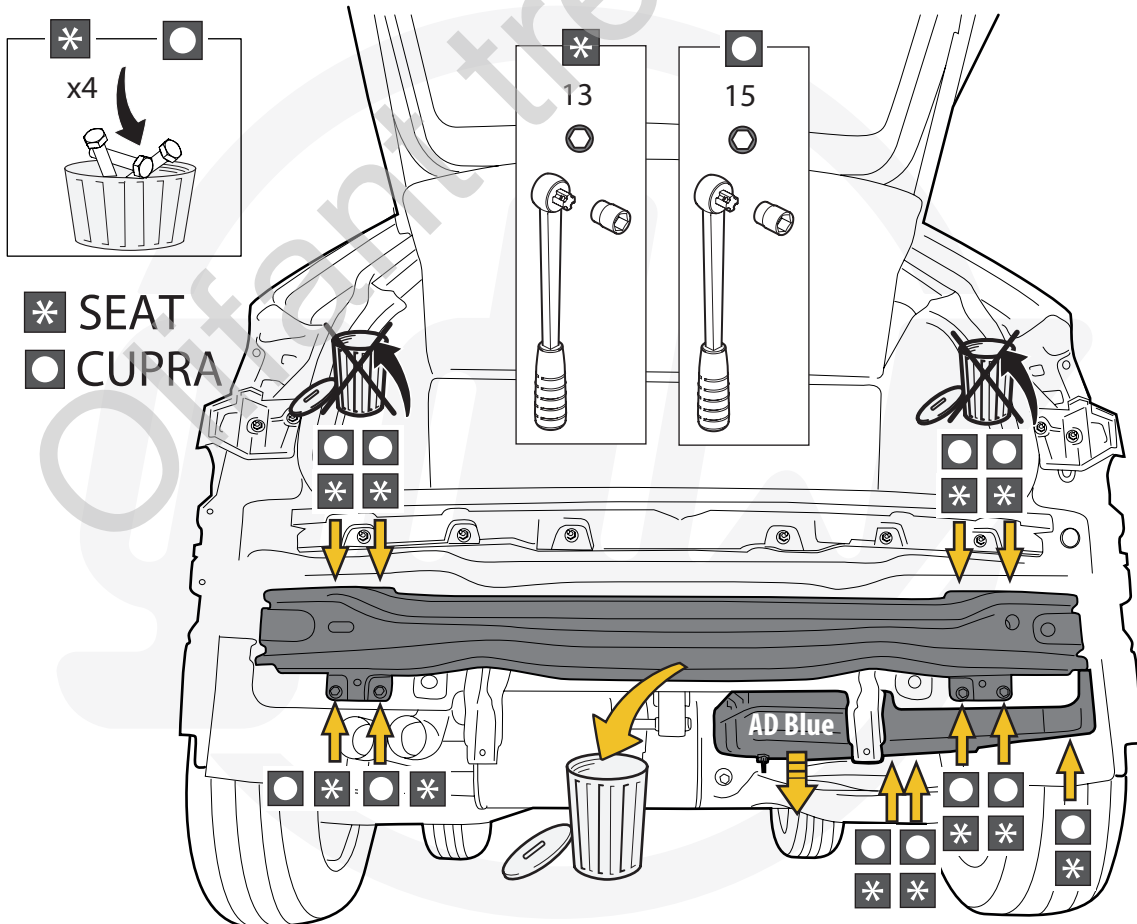
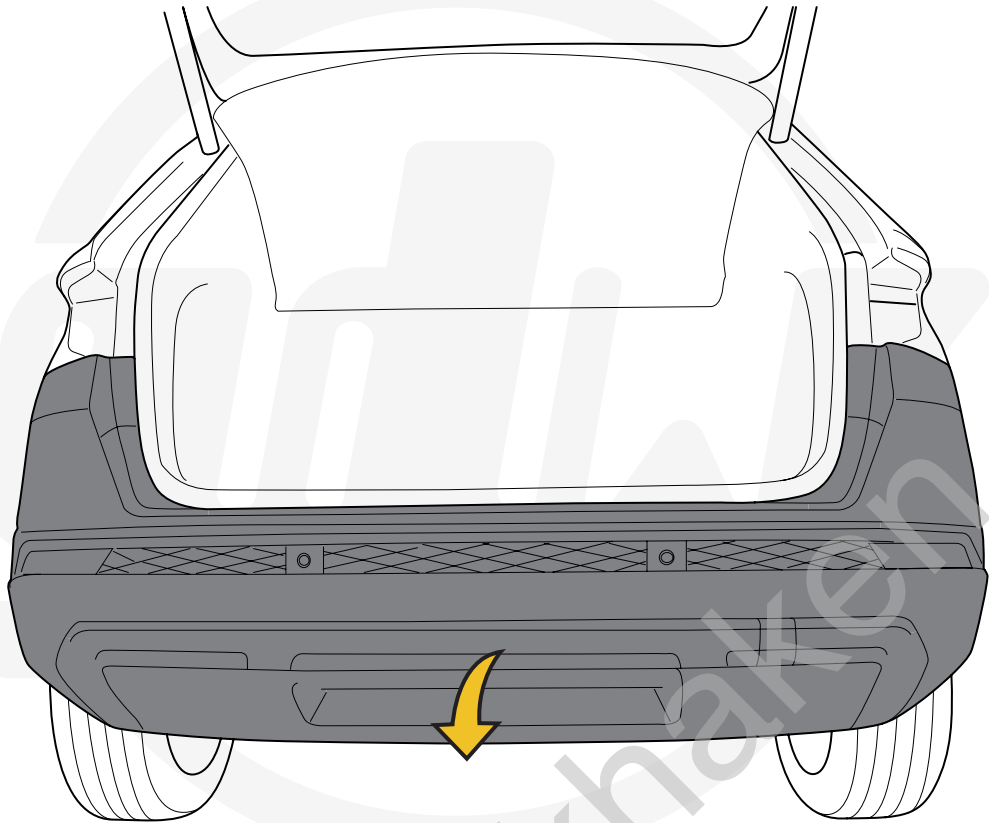
# SEAT ATECA

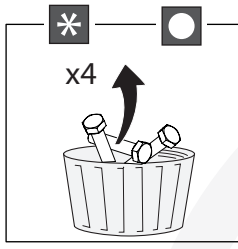


10

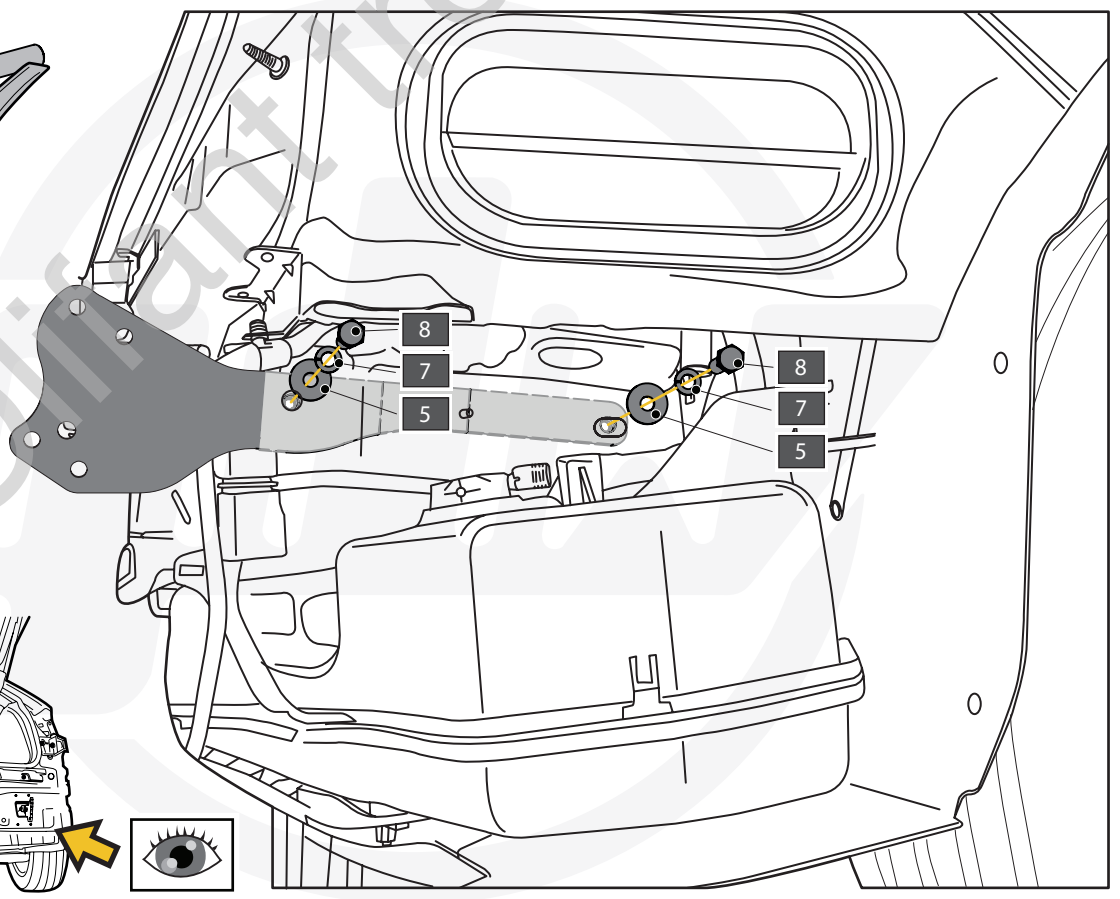
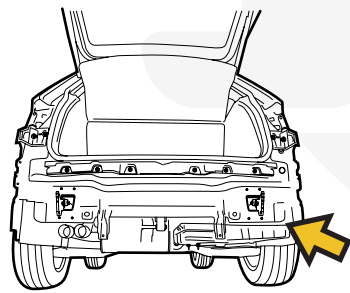
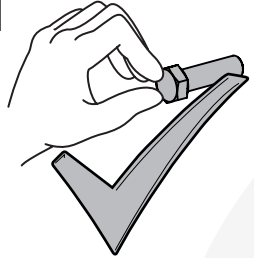
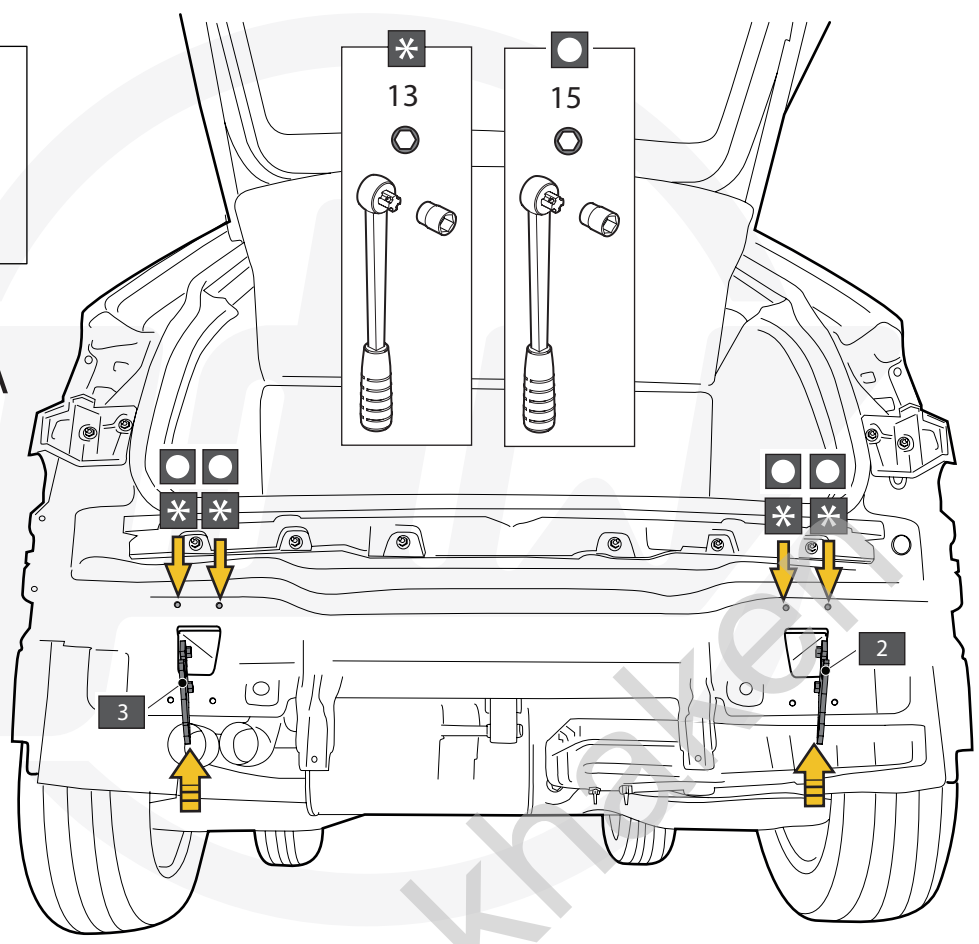
# CUPRA FORMENTOR

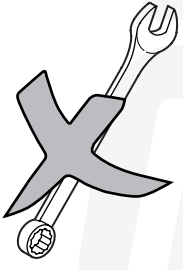
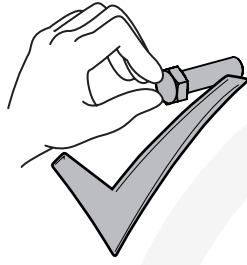






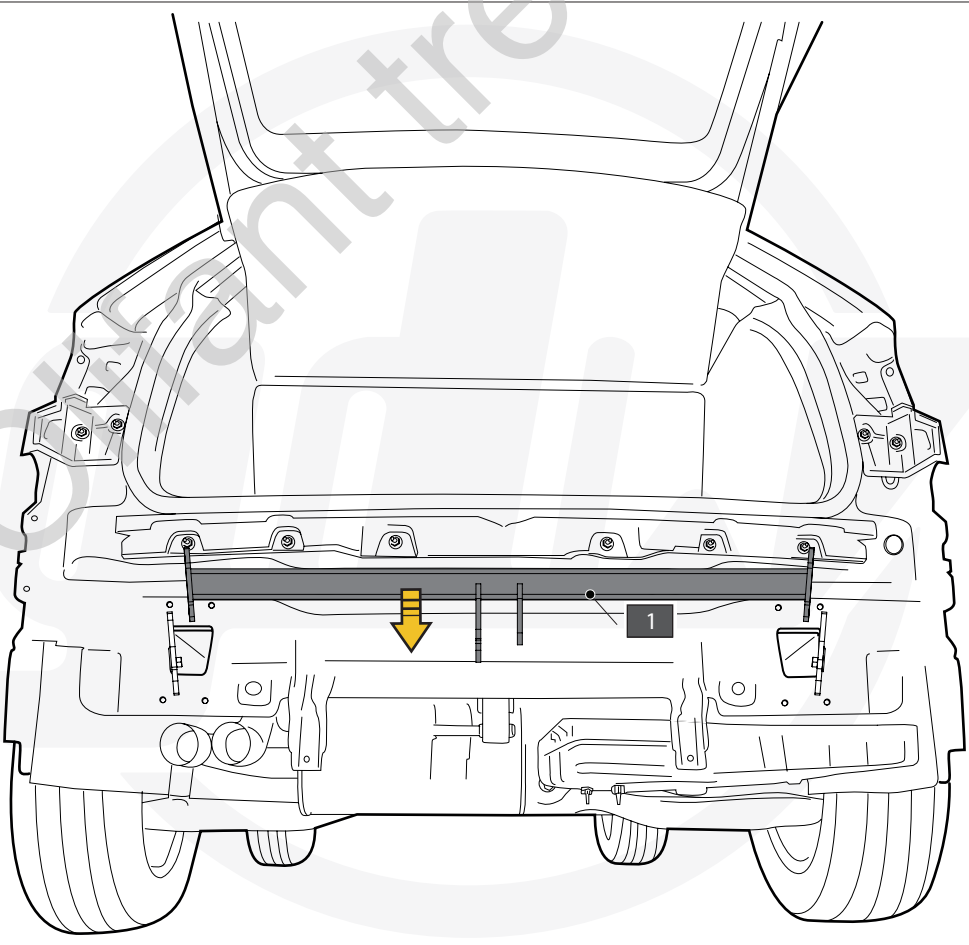
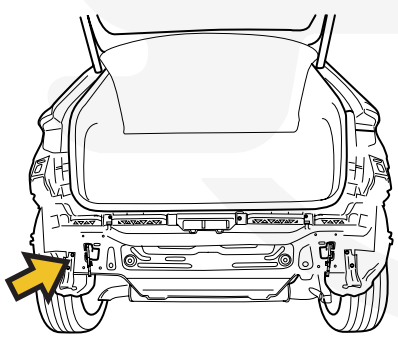
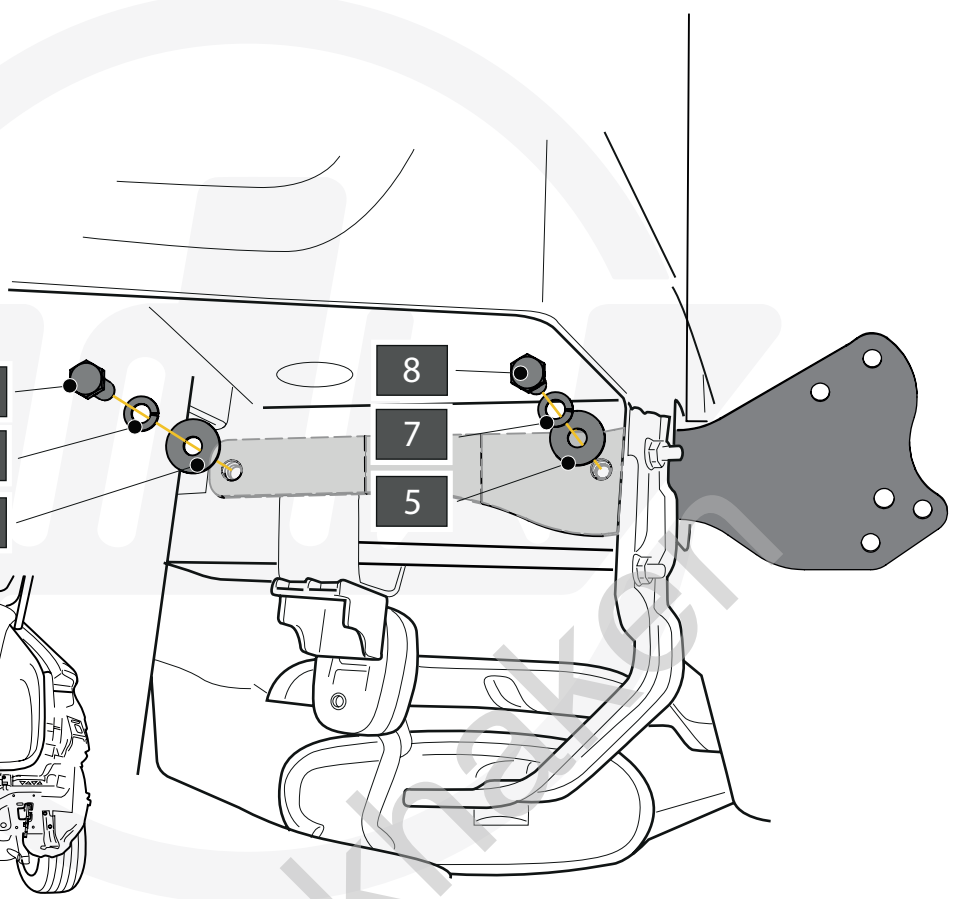
\* SEAT  
● CUPRA





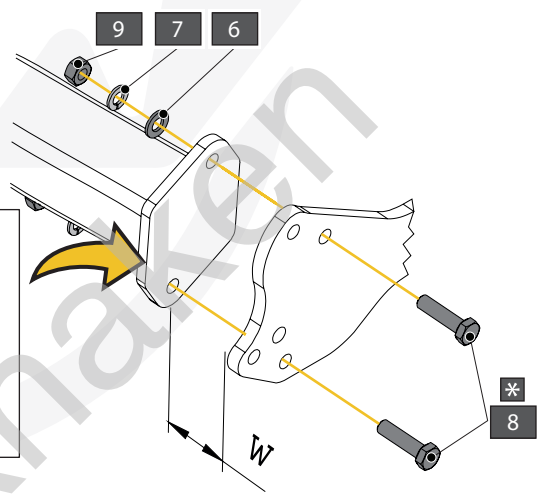
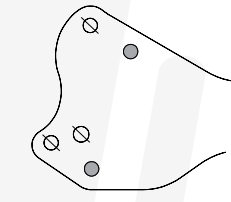
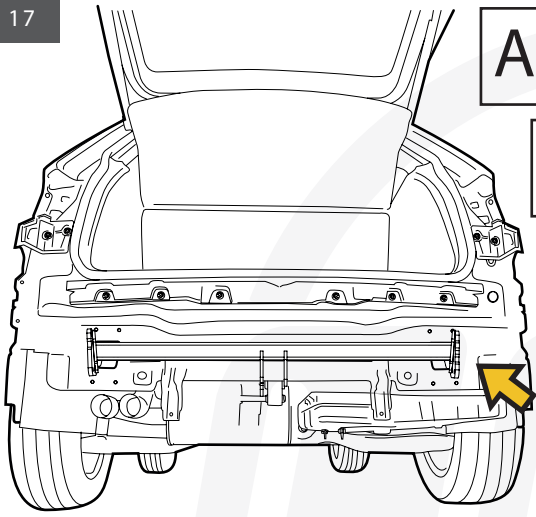
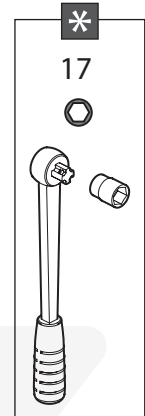
8  
7  
5

8  
7  
5



# Ateca 06/'16 - 12/'20

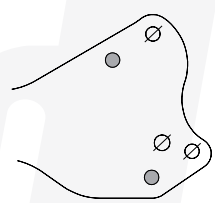
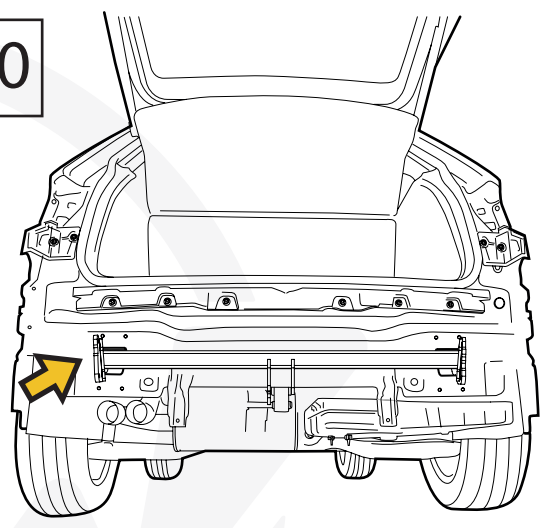
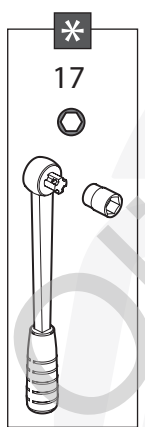
## Cupra Formentor



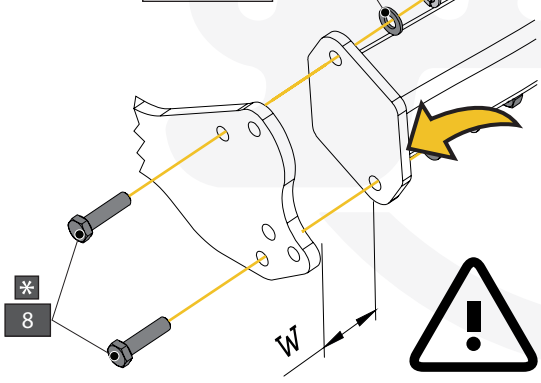
$X < 2 \text{ mm}$	$2 \leq X < 4 \text{ mm}$	$4 \leq X < 6 \text{ mm}$

# Ateca 06/'16 - 12/'20

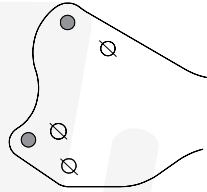
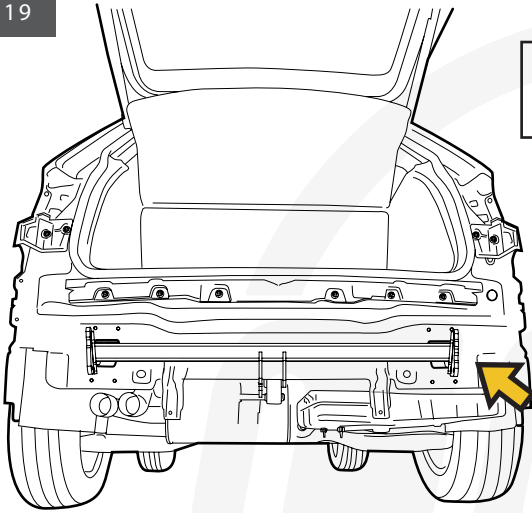
## Cupra Formentor



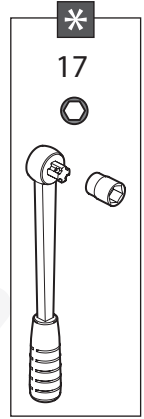
$X < 2 \text{ mm}$	$2 \leq X < 4 \text{ mm}$	$4 \leq X < 6 \text{ mm}$



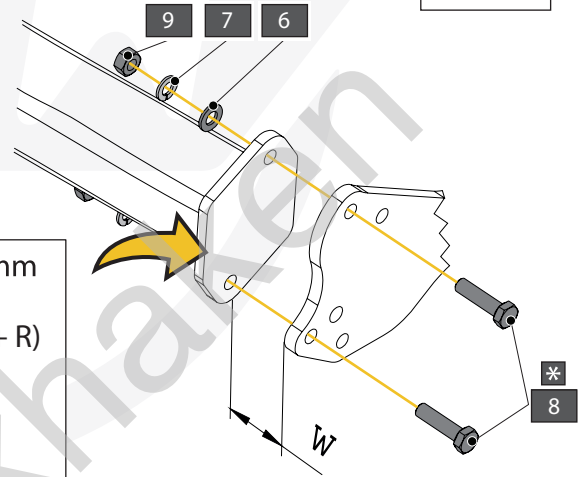
# Ateca Facelift 01/'21



54,0 Nm

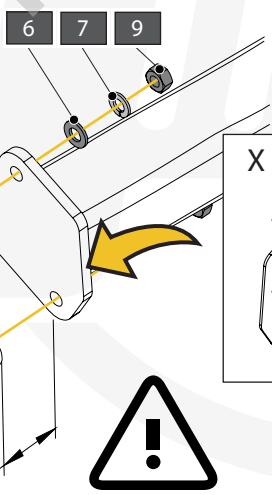
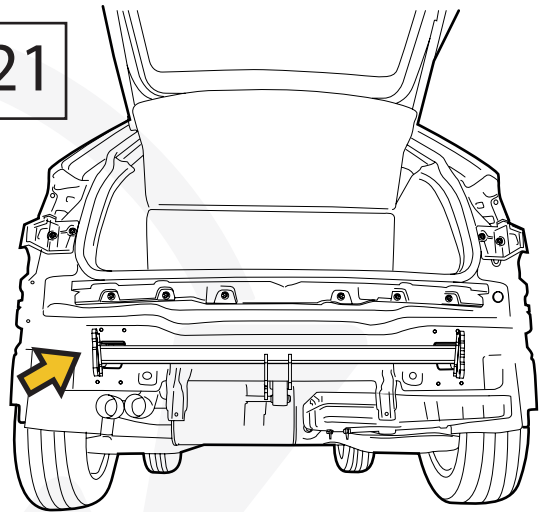
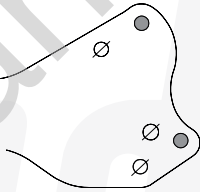
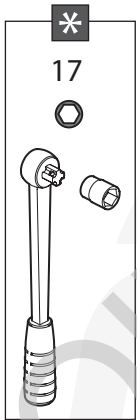


$X < 2 \text{ mm}$	$2 \leq X < 4 \text{ mm}$	$4 \leq X < 6 \text{ mm}$



# Ateca Facelift 01/'21

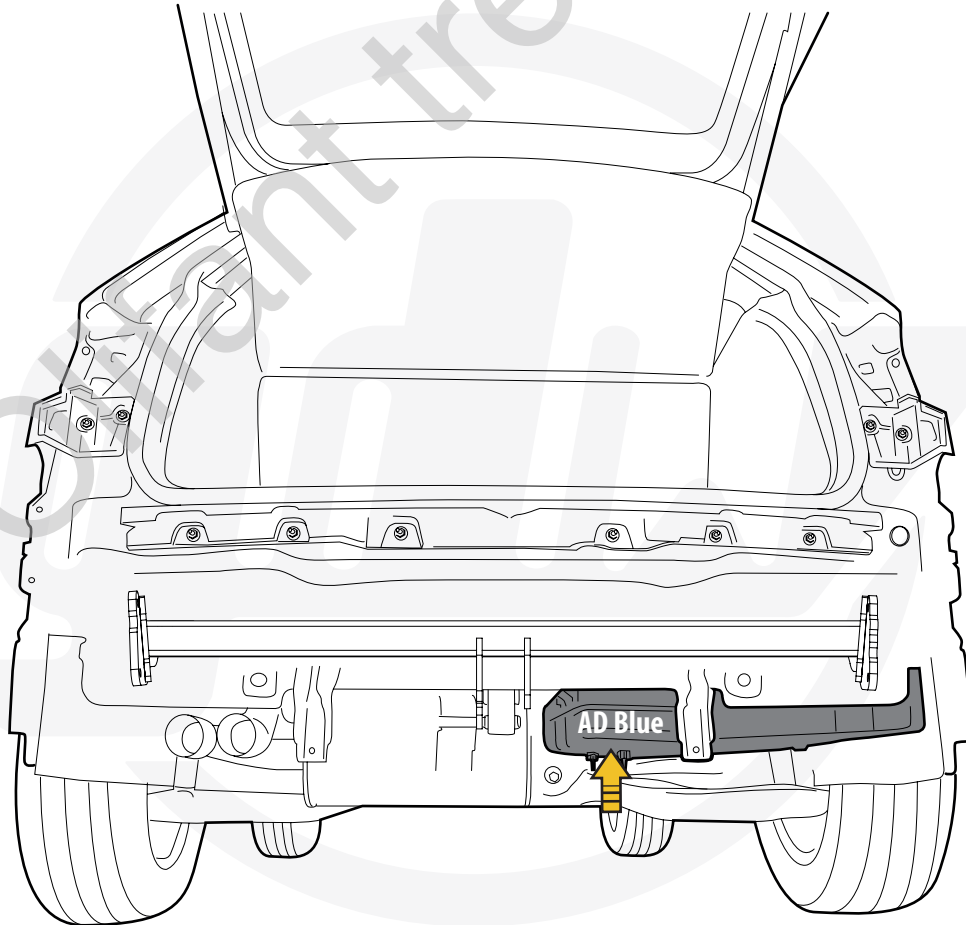
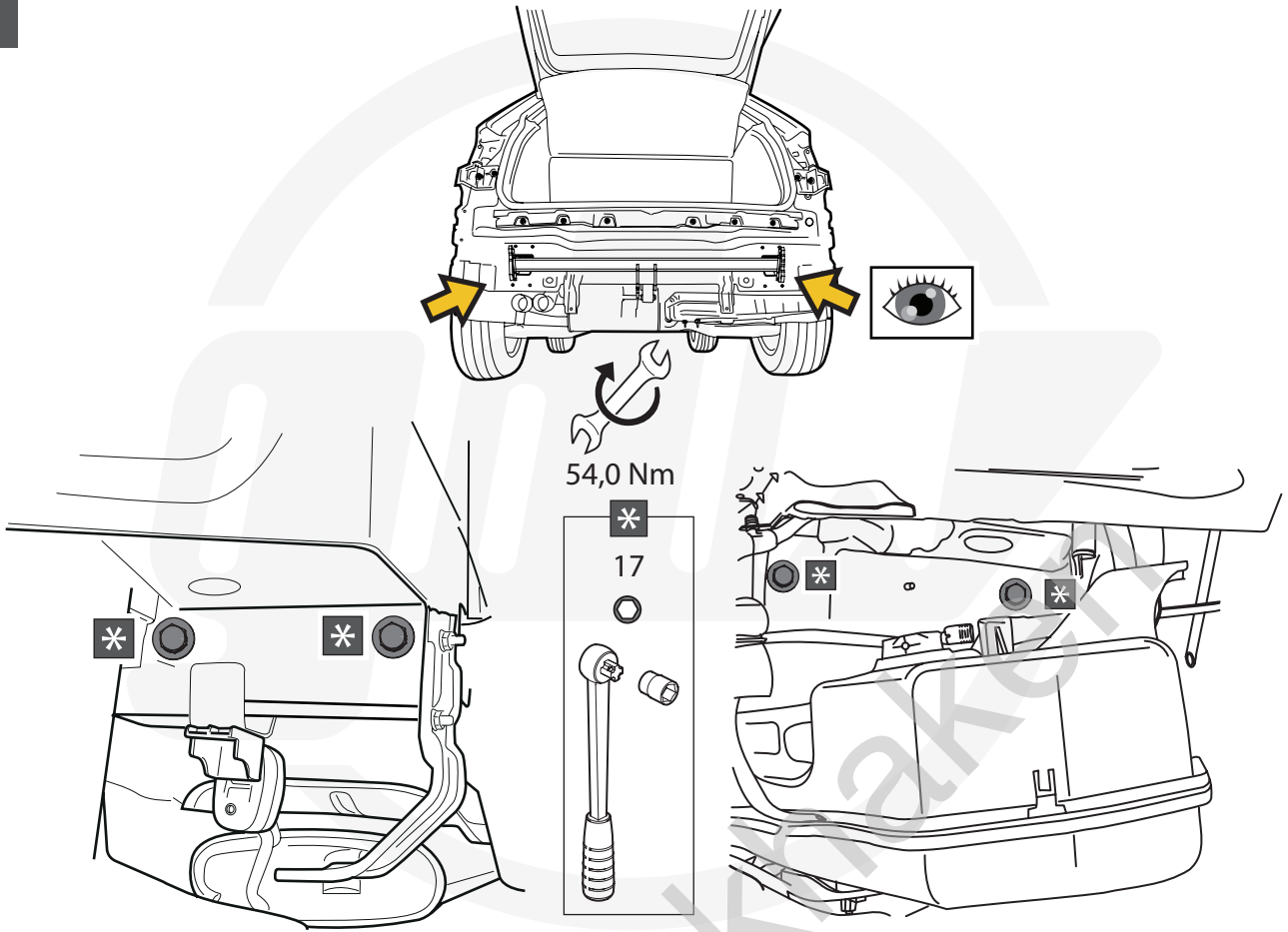
54,0 Nm

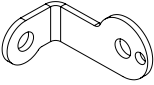



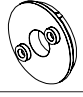
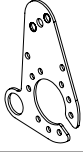



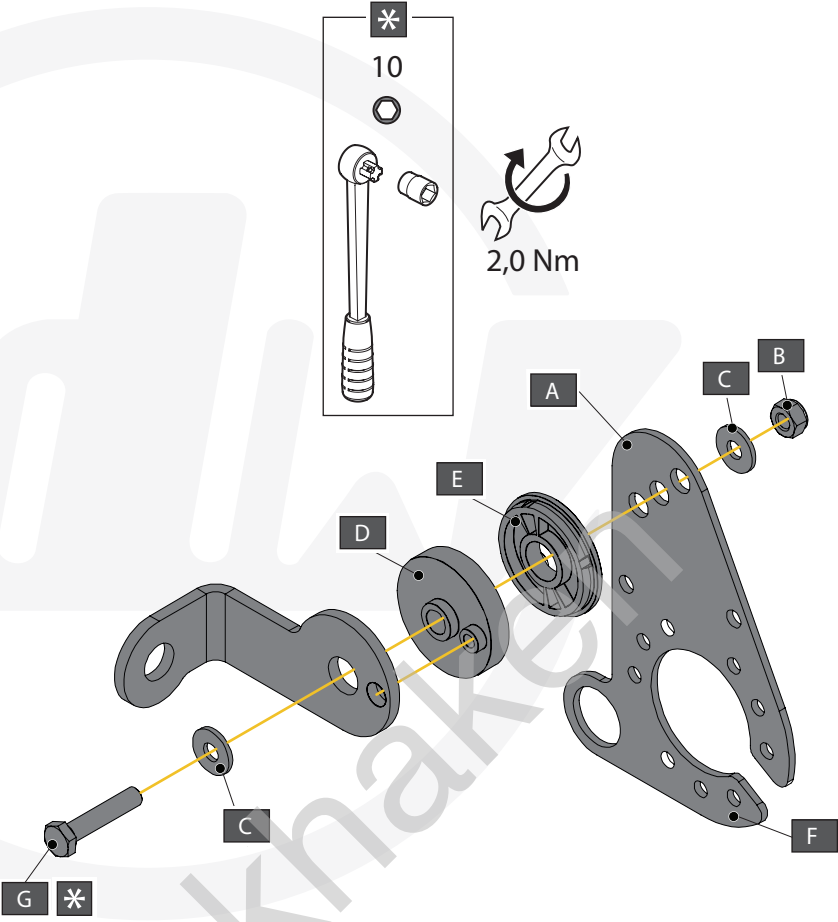
$X < 2 \text{ mm}$	$2 \leq X < 4 \text{ mm}$	$4 \leq X < 6 \text{ mm}$



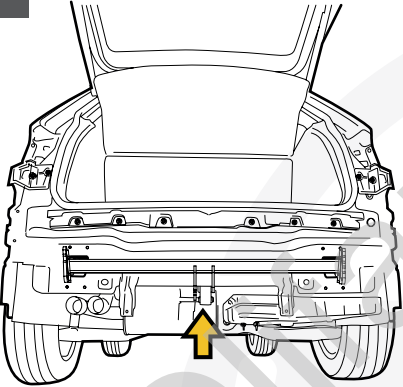


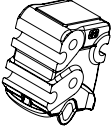






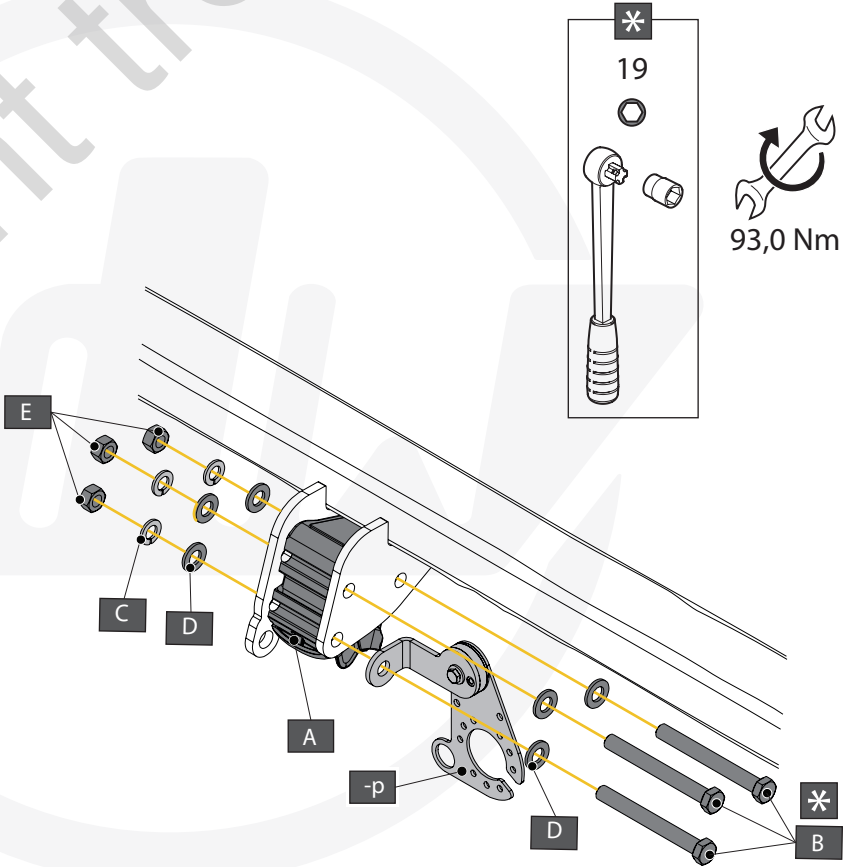
A		X1 GDW REF. 908.102
B		X1 DIN985-M6
C		X2 Ø15,4 X 6,2 X 1,6 (NYLON)
D		X1 GDW REF. 718.16.002
E		X1 GDW REF. 718.16.003
F		X1 GDW REF. 908.094
G		X1 DIN933-M6 X 30



\*  
10  
2,0 Nm



A		X1 GDW REF. 912.003
B		X3 DIN931-M12X110-8.8
C		X3 DIN128A-M12
D		X6 DIN125A-M12
E		X3 DIN934-M12



\*  
19  
93,0 Nm

