

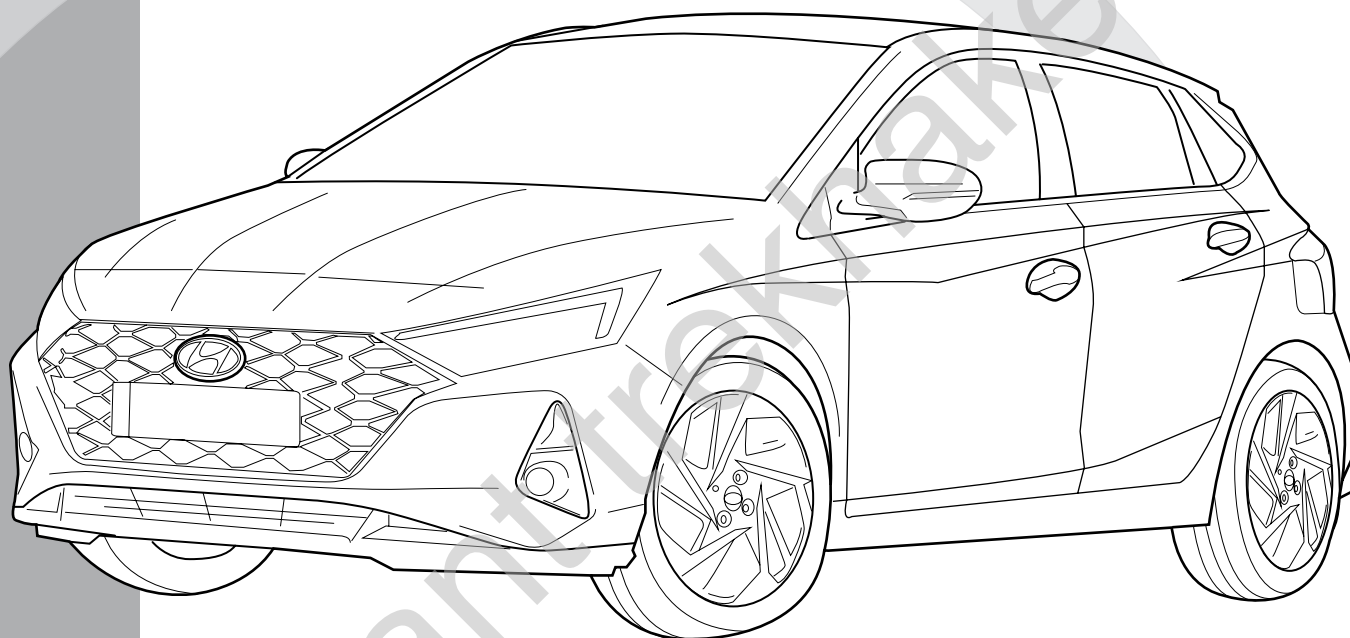


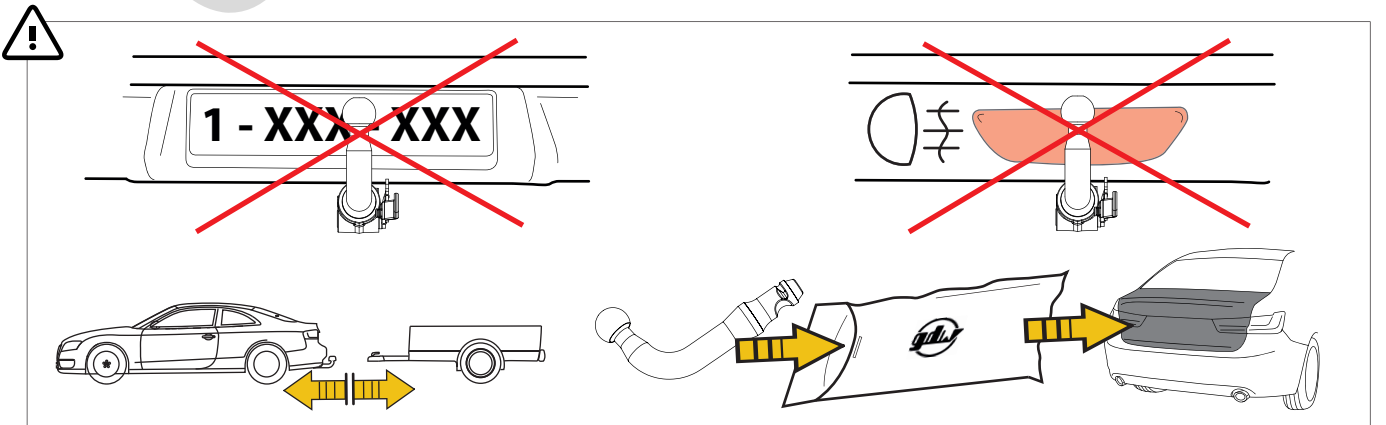
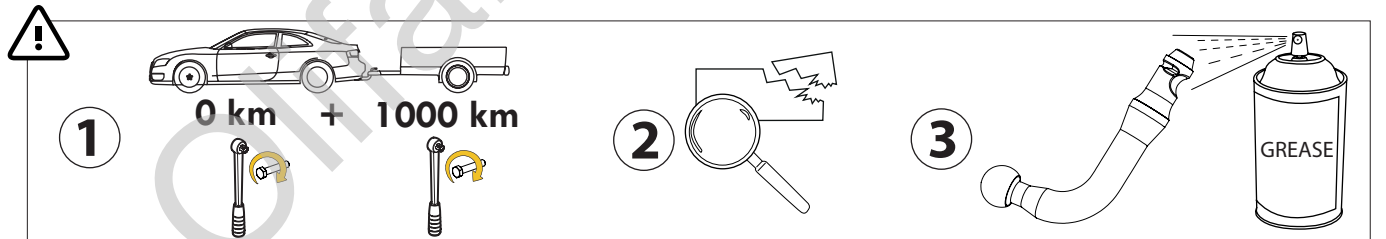
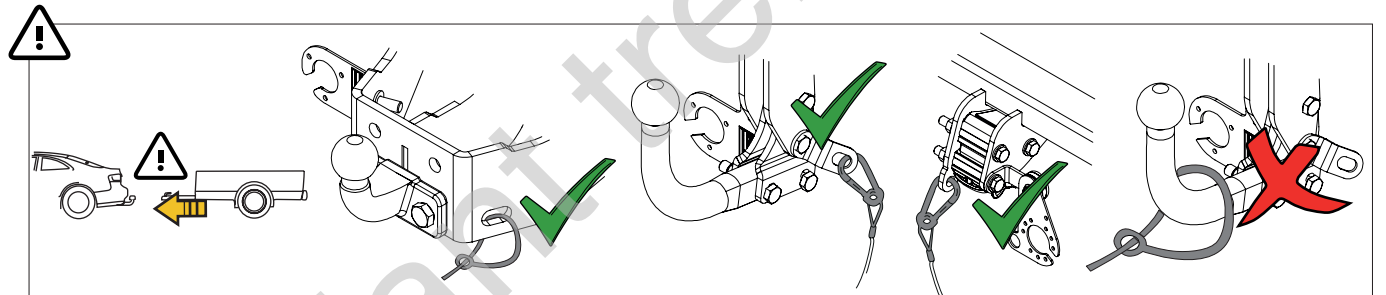
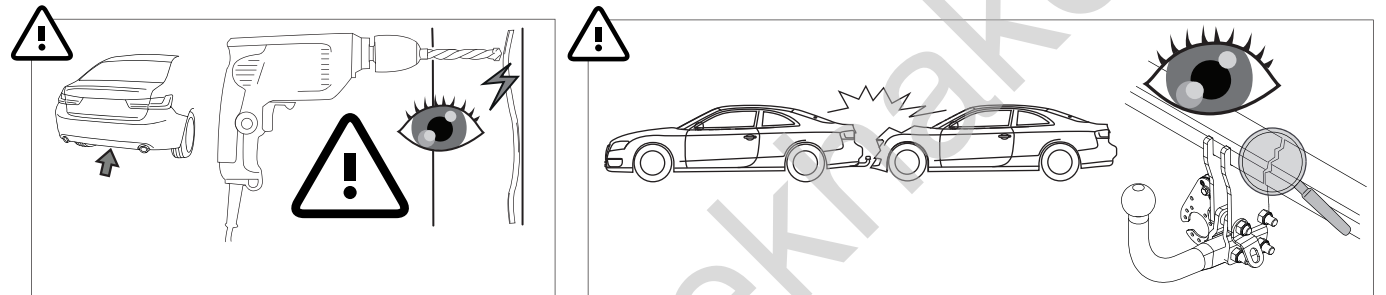
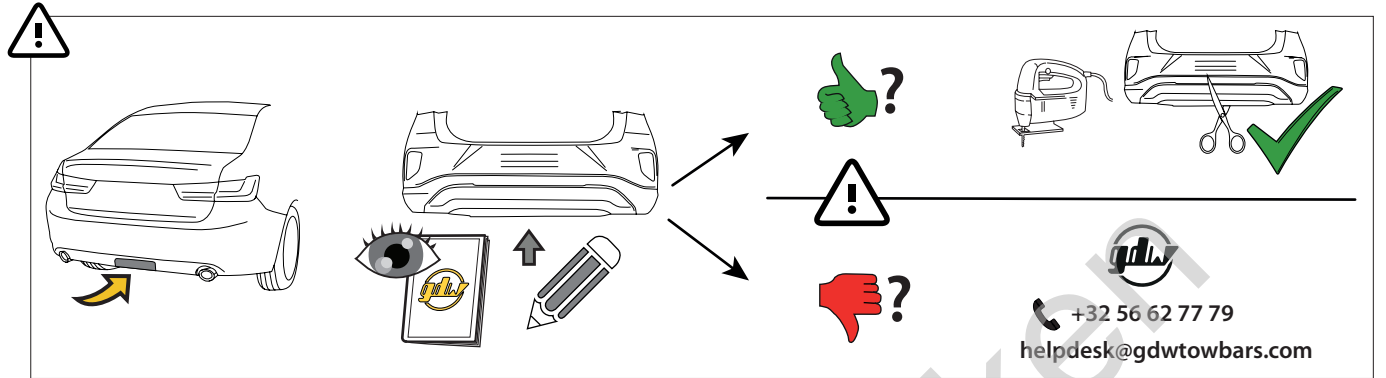
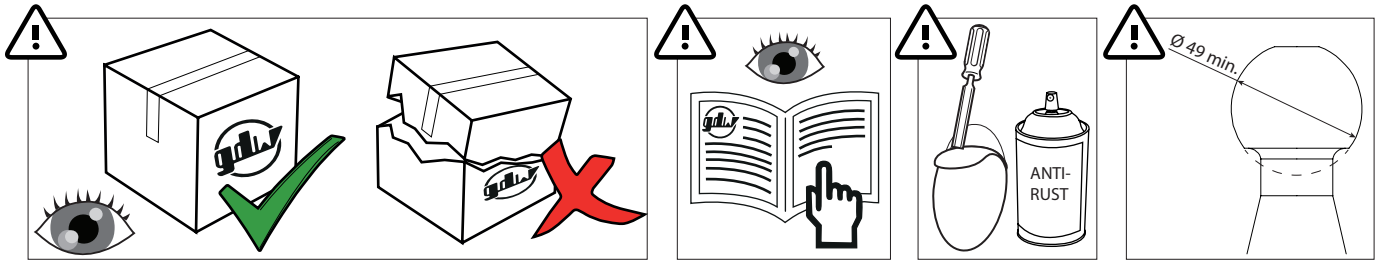
TREKHAKEN • ATTELAGES • ANHÄNGERVORRICHTUNGEN • TOWBARS • ENHANCES • ANHÆNGERTRÆK  
Montagehandleiding | instructions de montage | Einbauanleitung | Mounting instruction  
Instrucciones de montaje | monteringsvejledning



# Hyundai i20 (type BC3, BI3)

08/'20 -





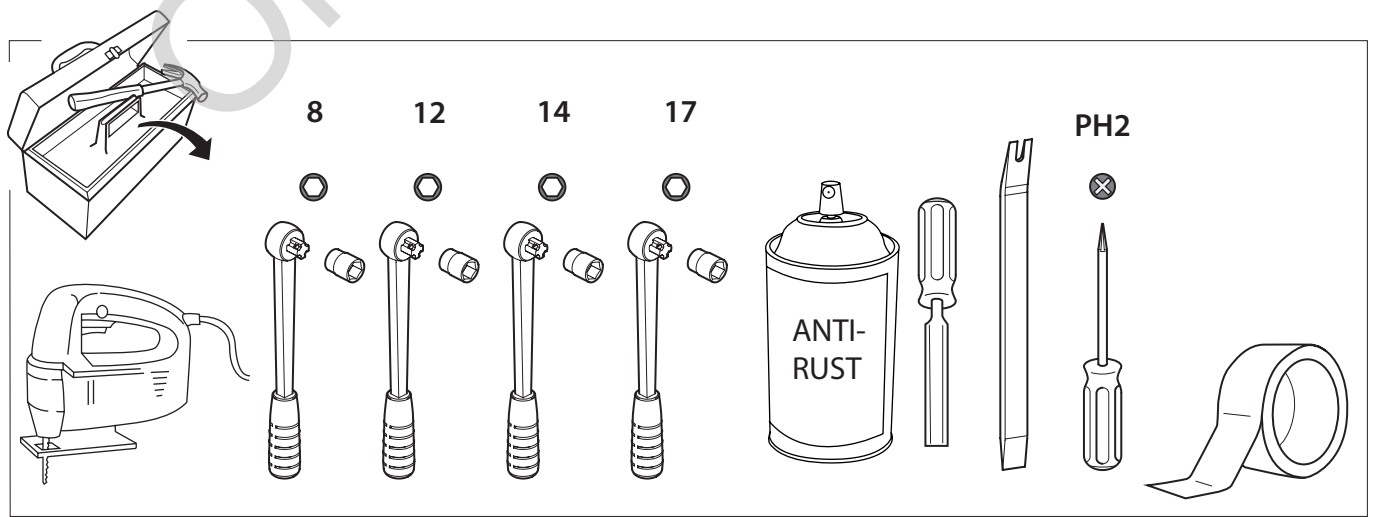
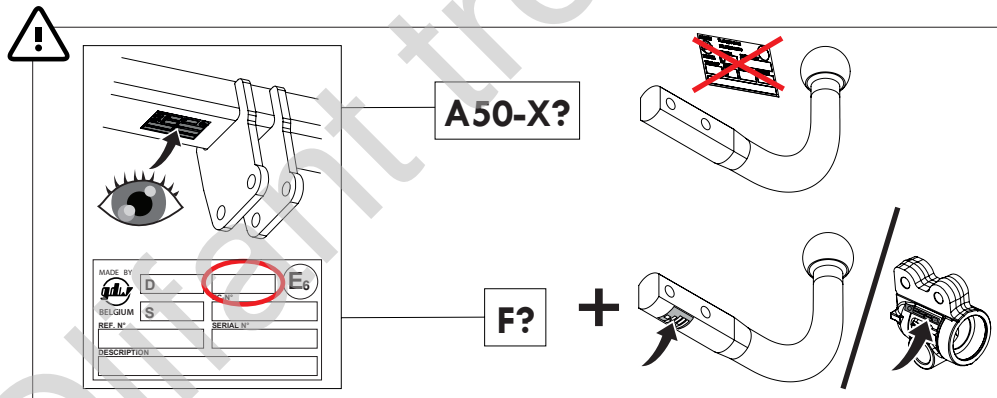
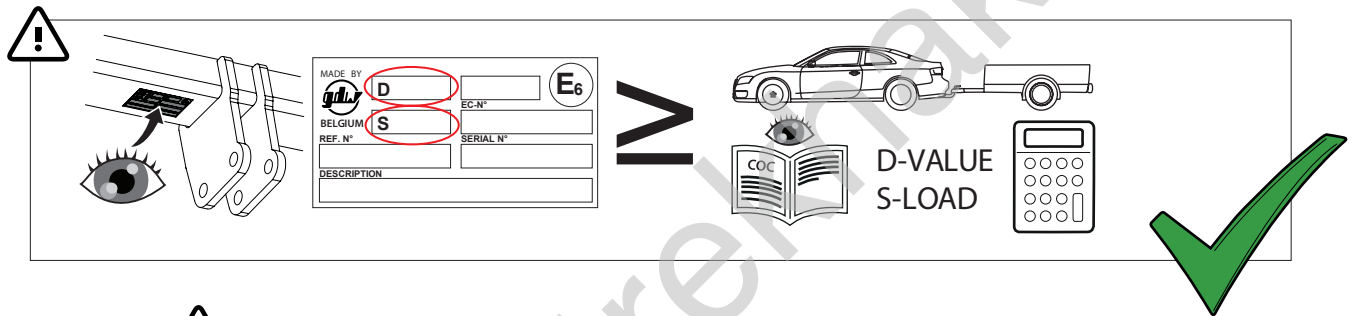
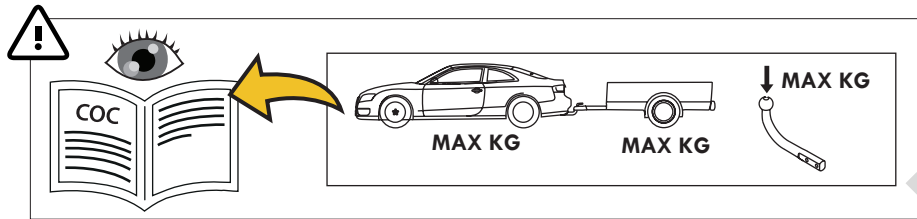
<b>MADE BY</b> 	<b>D 7,00</b>	<b>F</b>	
	<b>S 80</b>	<b>EC-N°</b> 55R-021661	
<b>REF N°</b> 2557T60	<b>SERIAL N°</b> XXXX		
<b>DESCRIPTION</b> Hyundai i20 08/'20-			

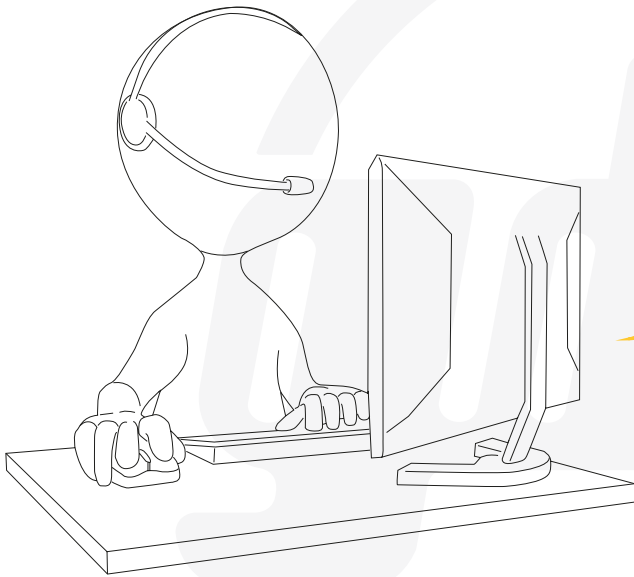
  

$$D = \frac{\text{max kg} \times \text{max kg}}{\text{max kg} + \text{max kg}} \times 0.00981 \leq 7,00 \text{ kN}$$

$$S = \begin{matrix} \leq 80 \text{ kg} & \leq 1200 \text{ kg} \end{matrix}$$

See the Certificate Of Conformity (COC) of your vehicle or contact your dealer to verify the max. trailer weight of your car!

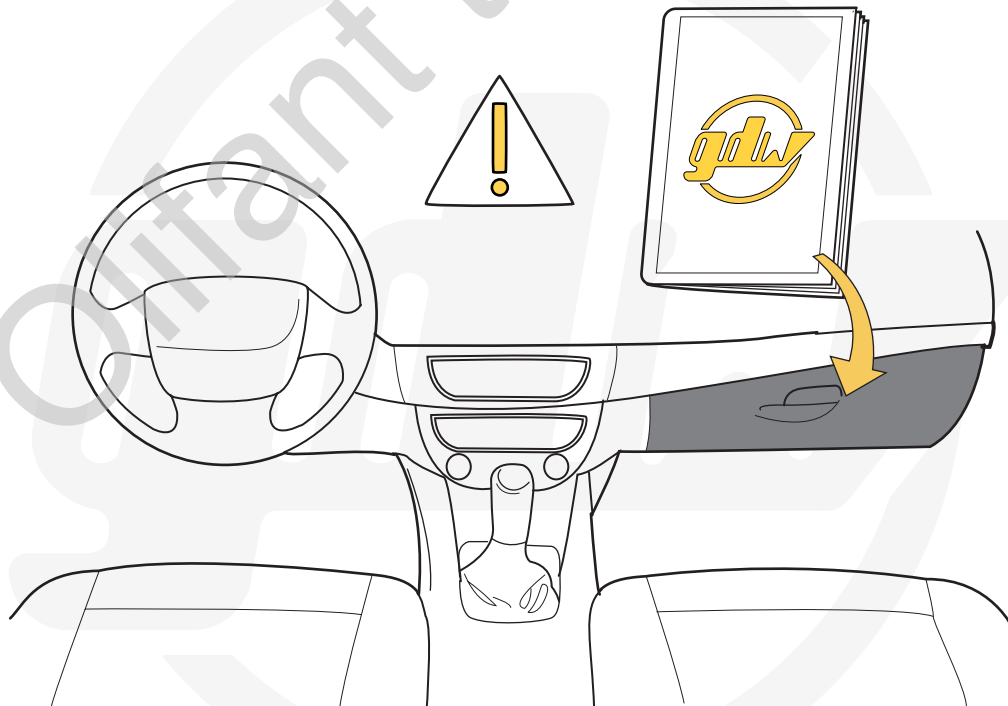


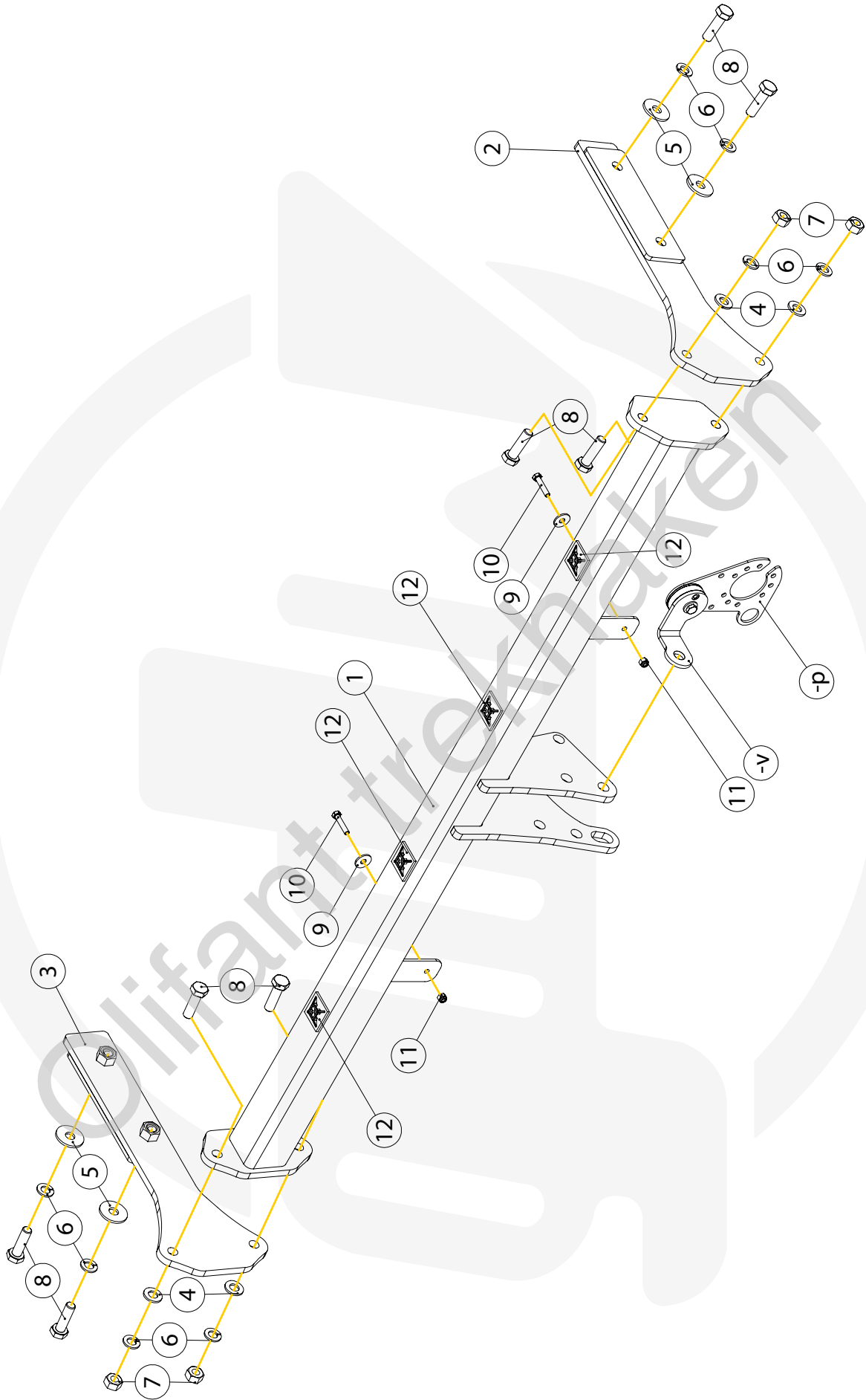


**helpdesk@gdwtowbars.com**

**+32 56 62 77 79**

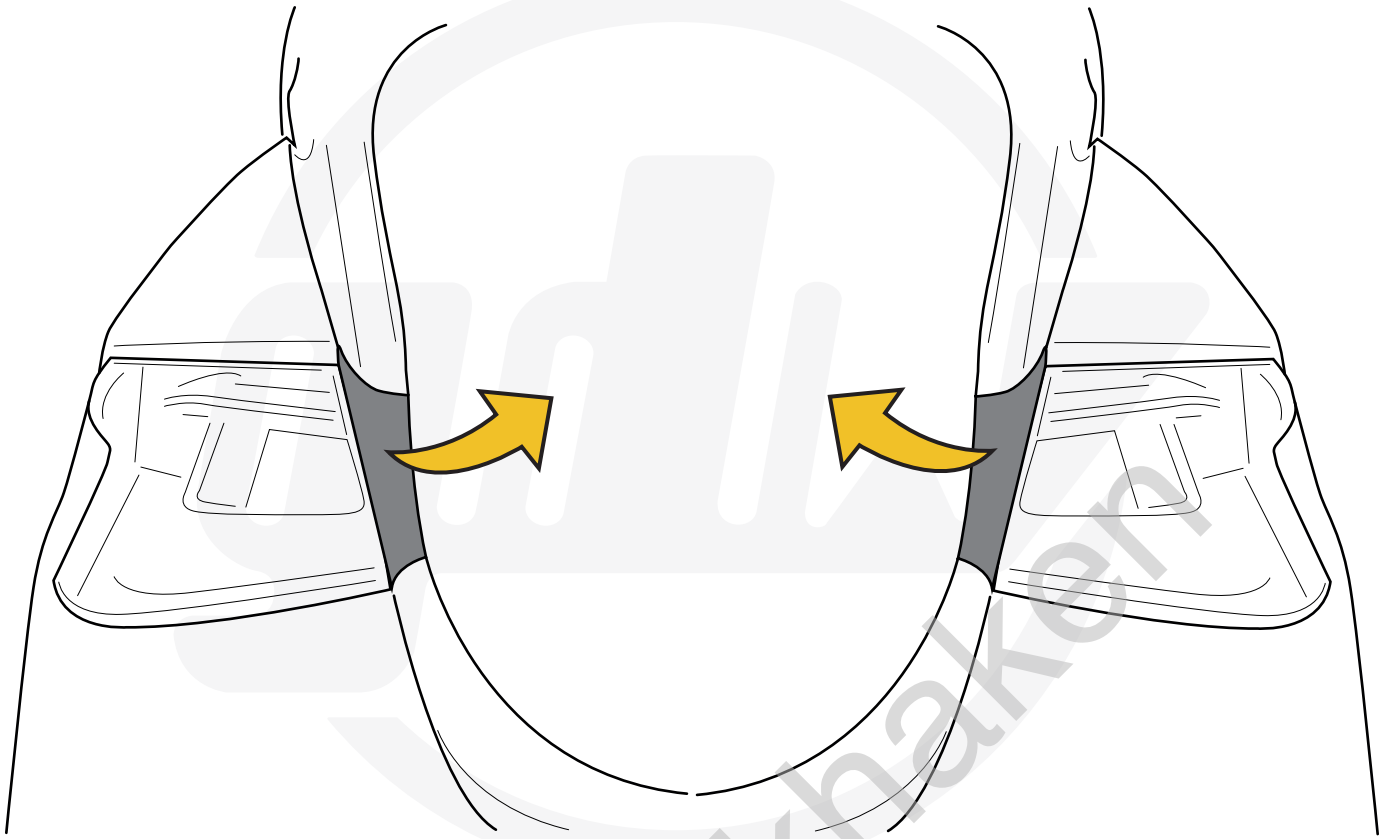
Monday	08:00 - 12:00	12:30 - 16:30
Tuesday	08:00 - 12:00	12:30 - 16:30
Wednesday	08:00 - 12:00	12:30 - 16:30
Thursday	08:00 - 12:00	12:30 - 16:30
Friday	08:00 - 12:00	12:30 - 15:30



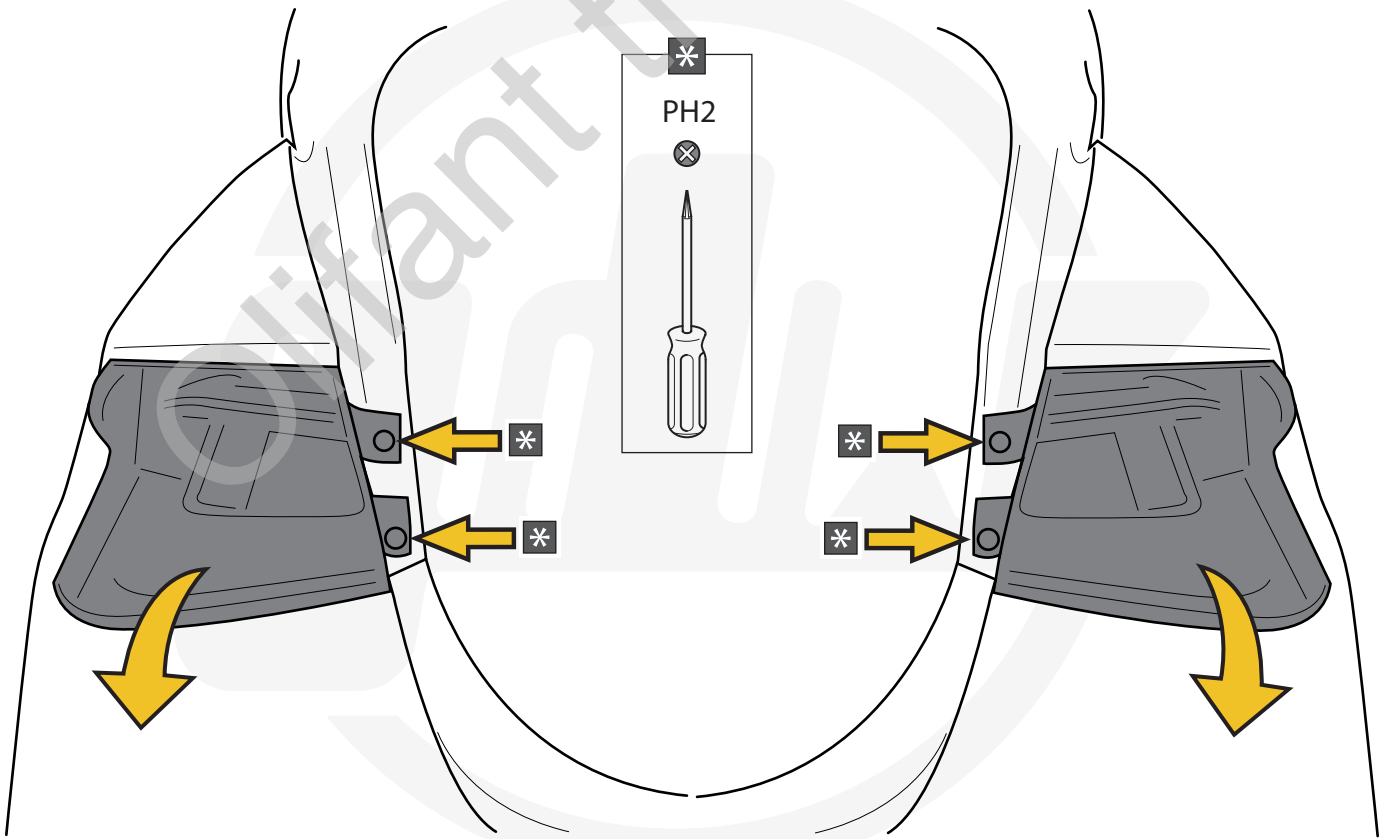




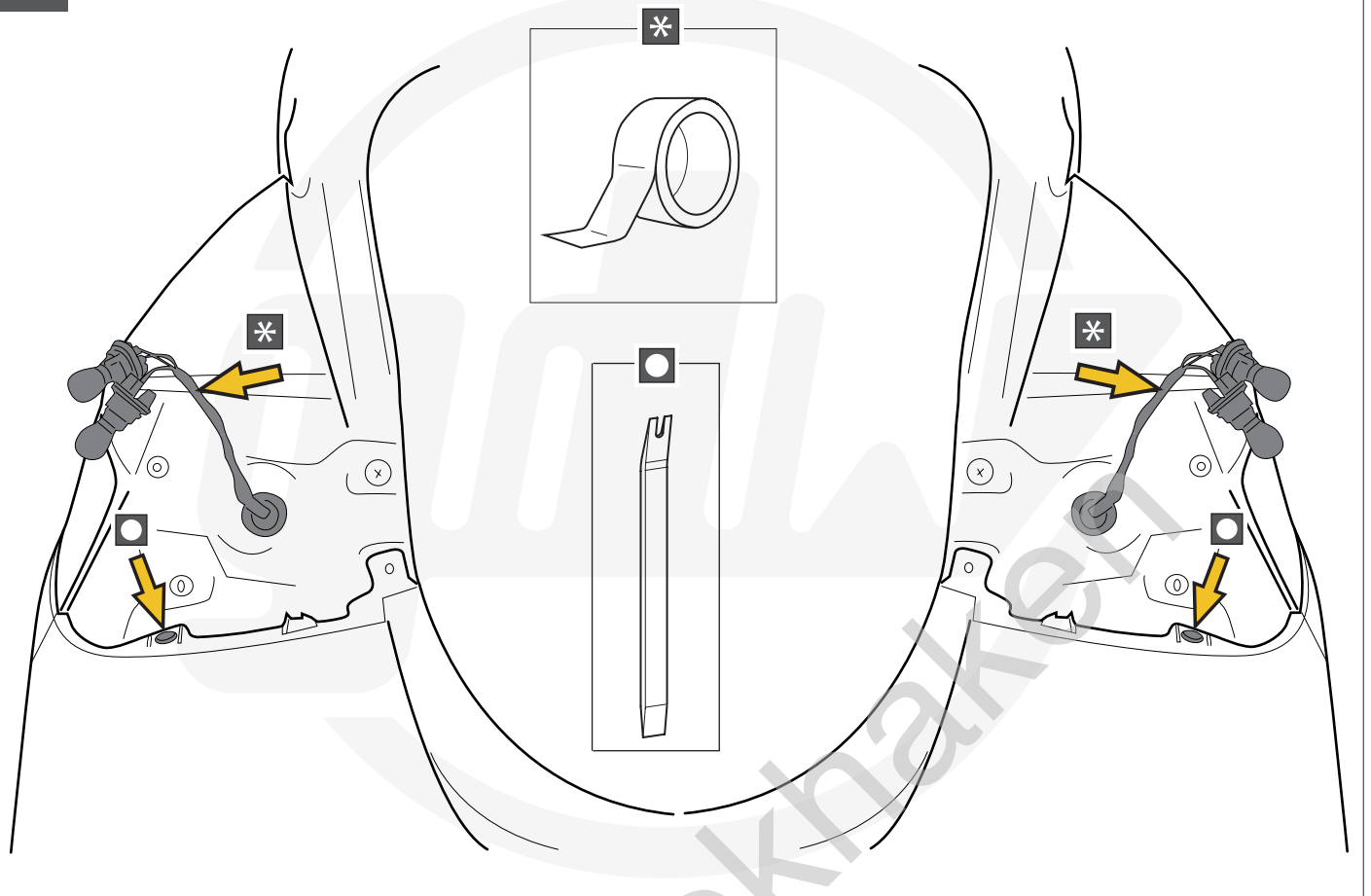
1



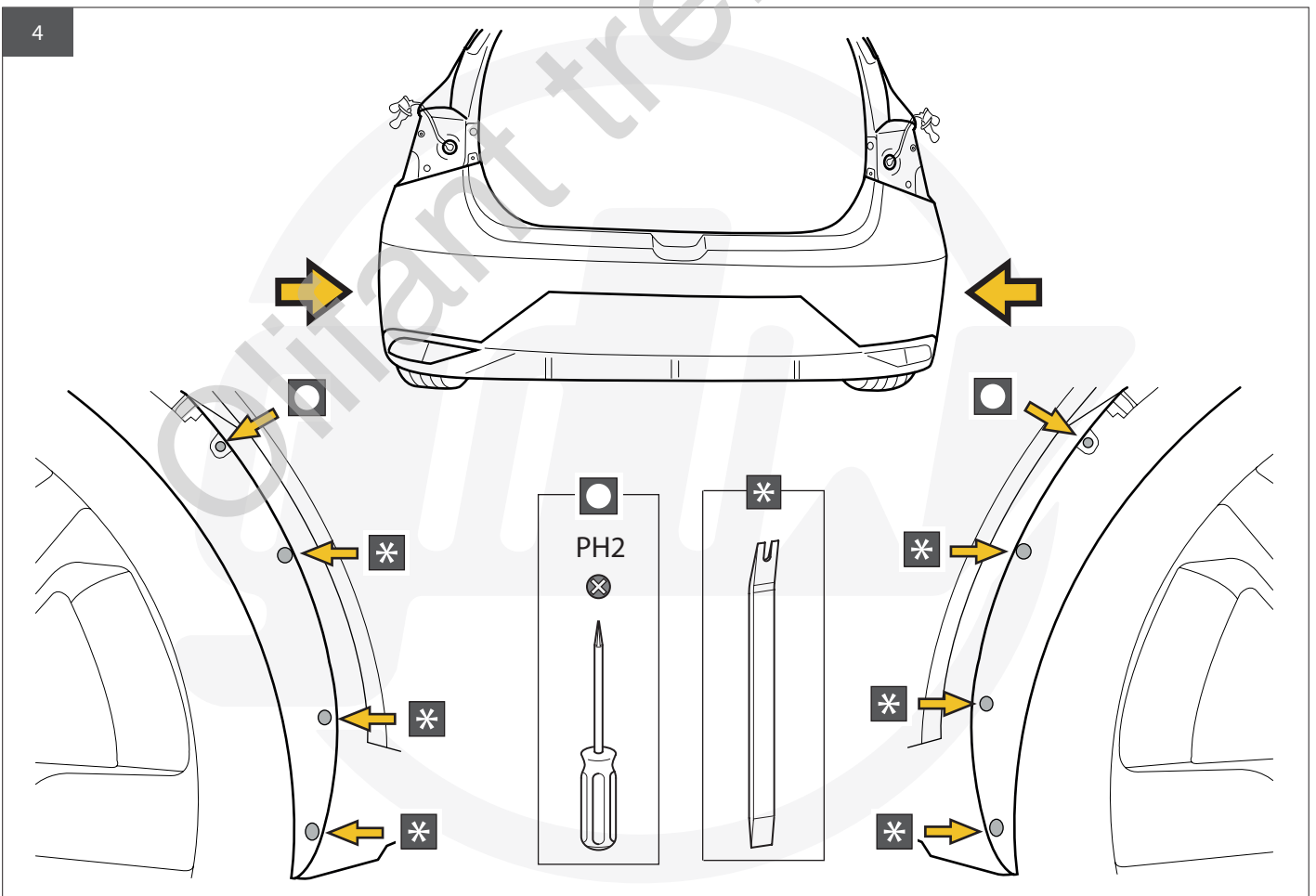
2



3

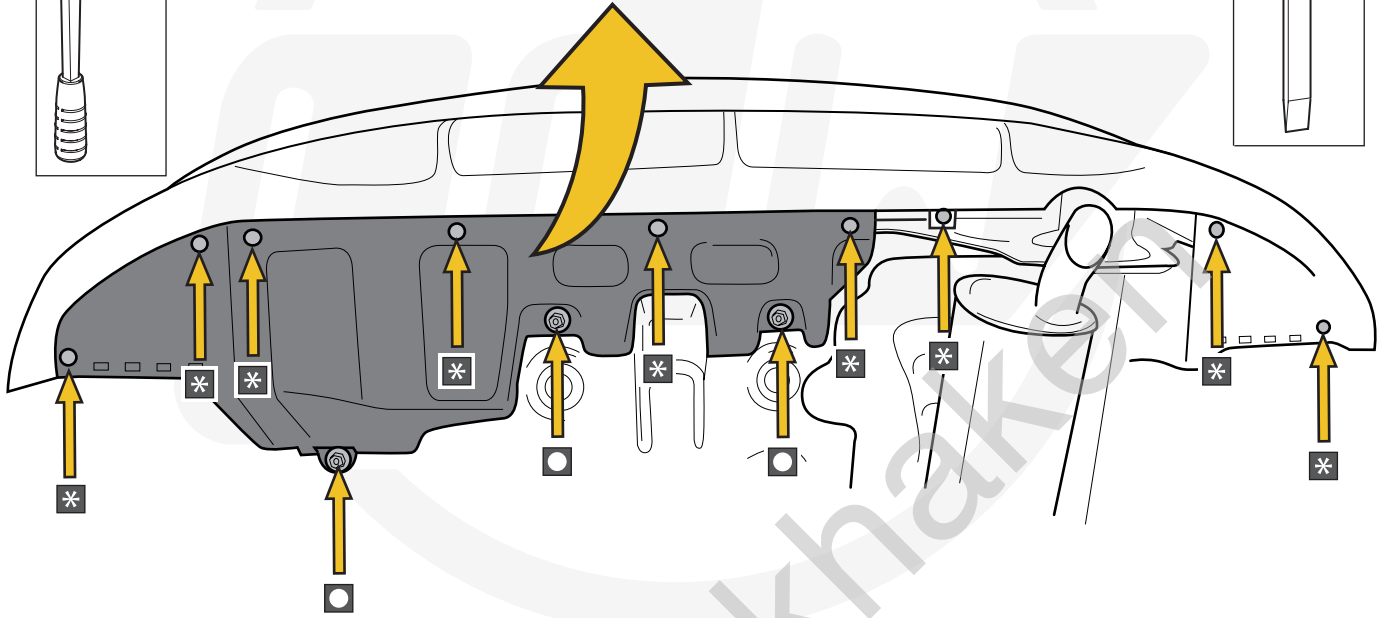
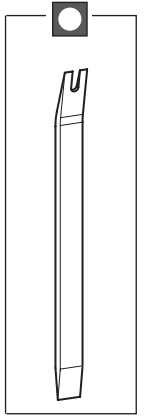
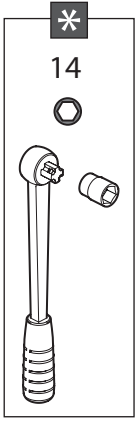


4

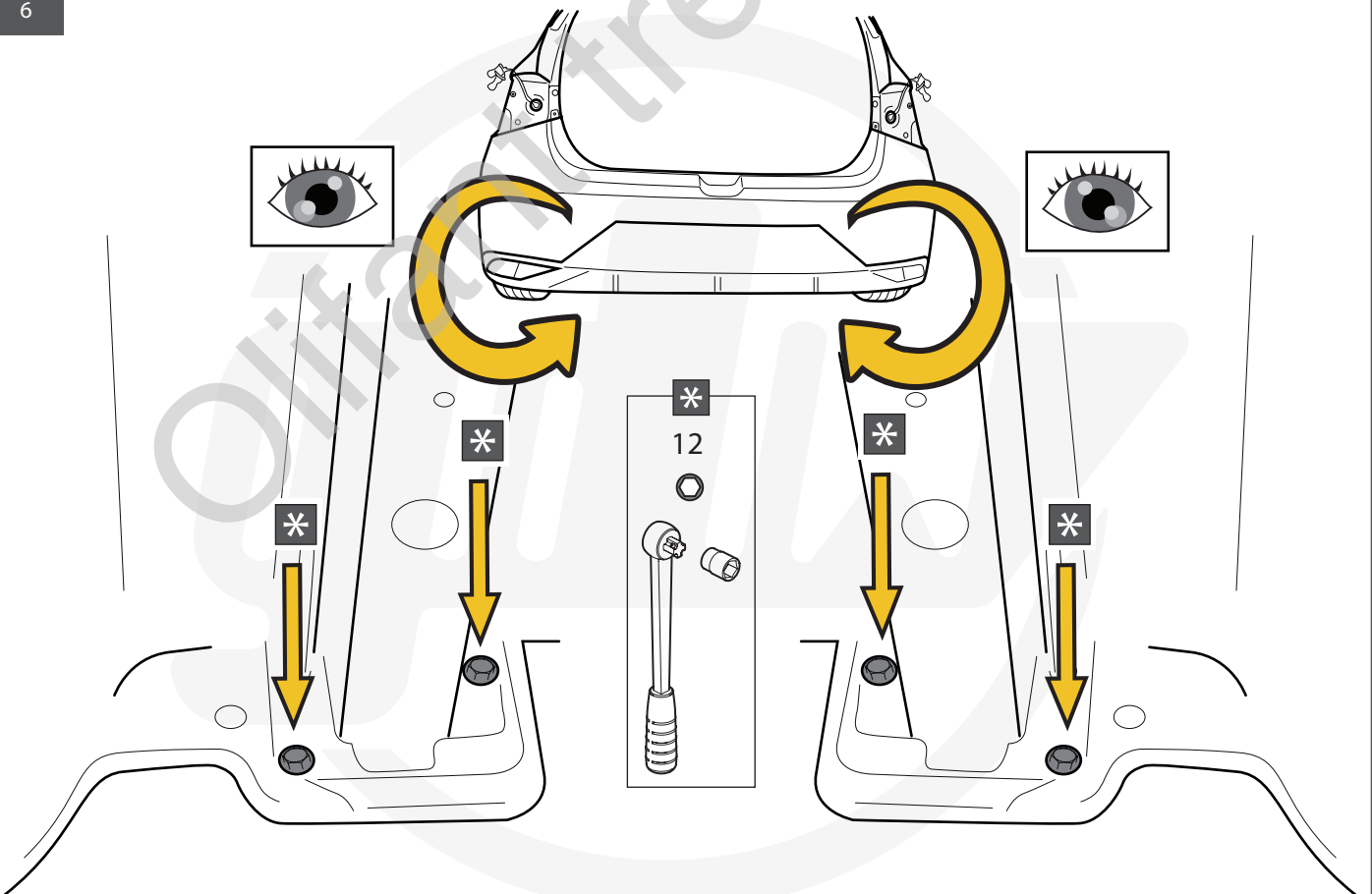
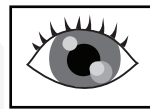
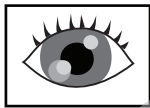


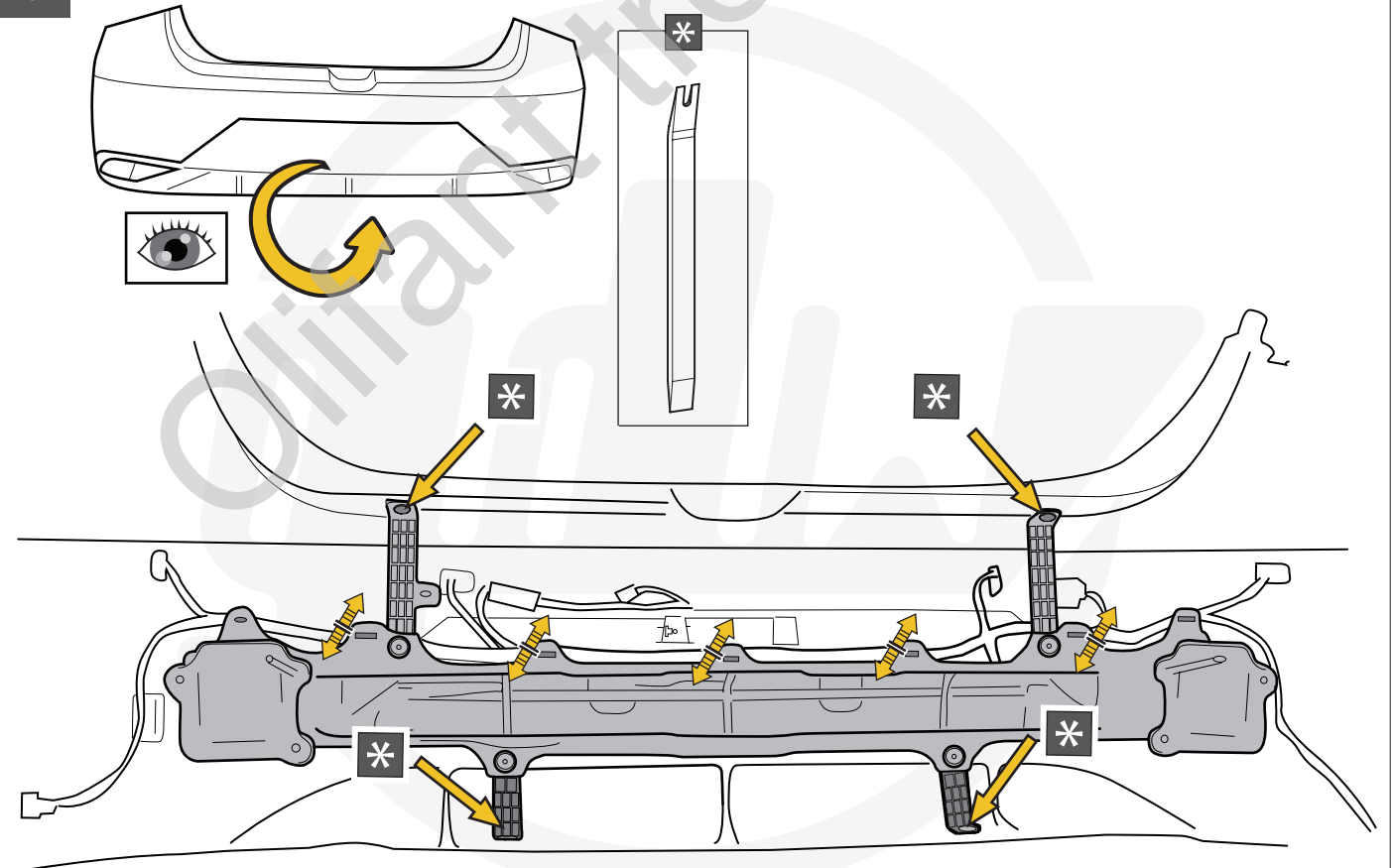
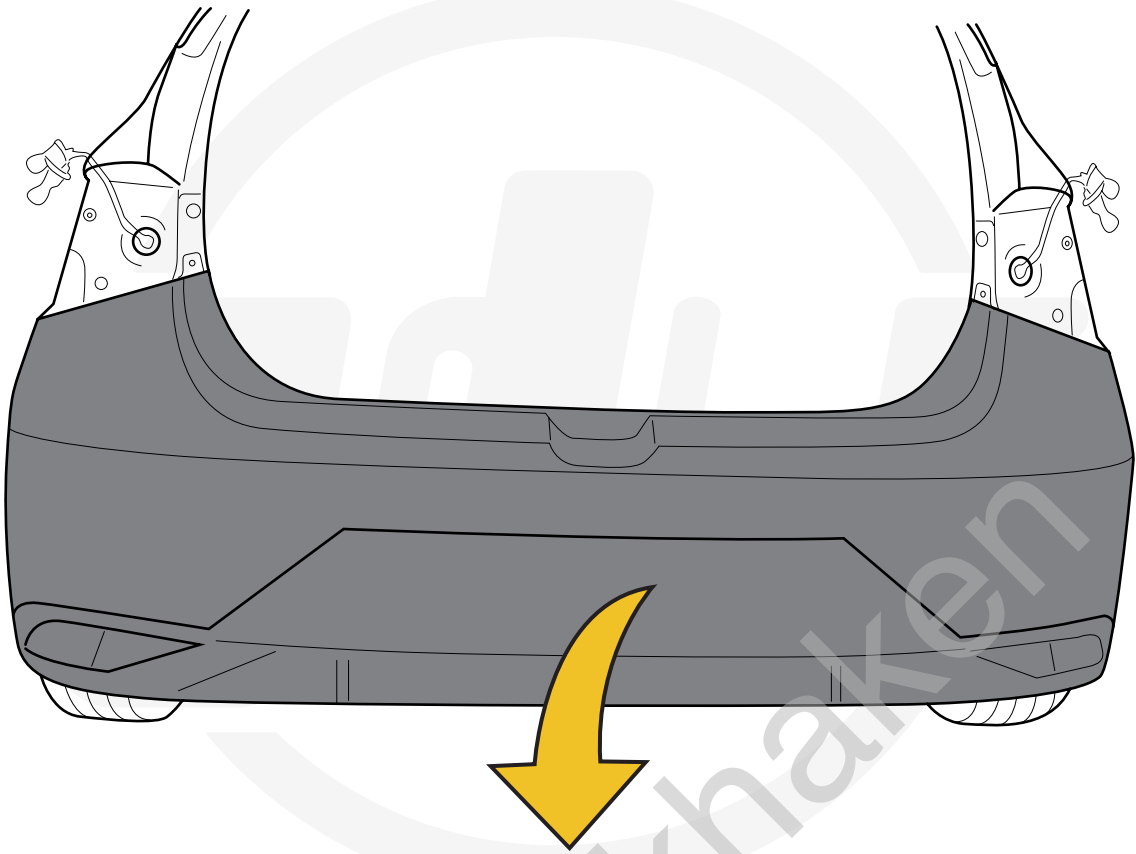


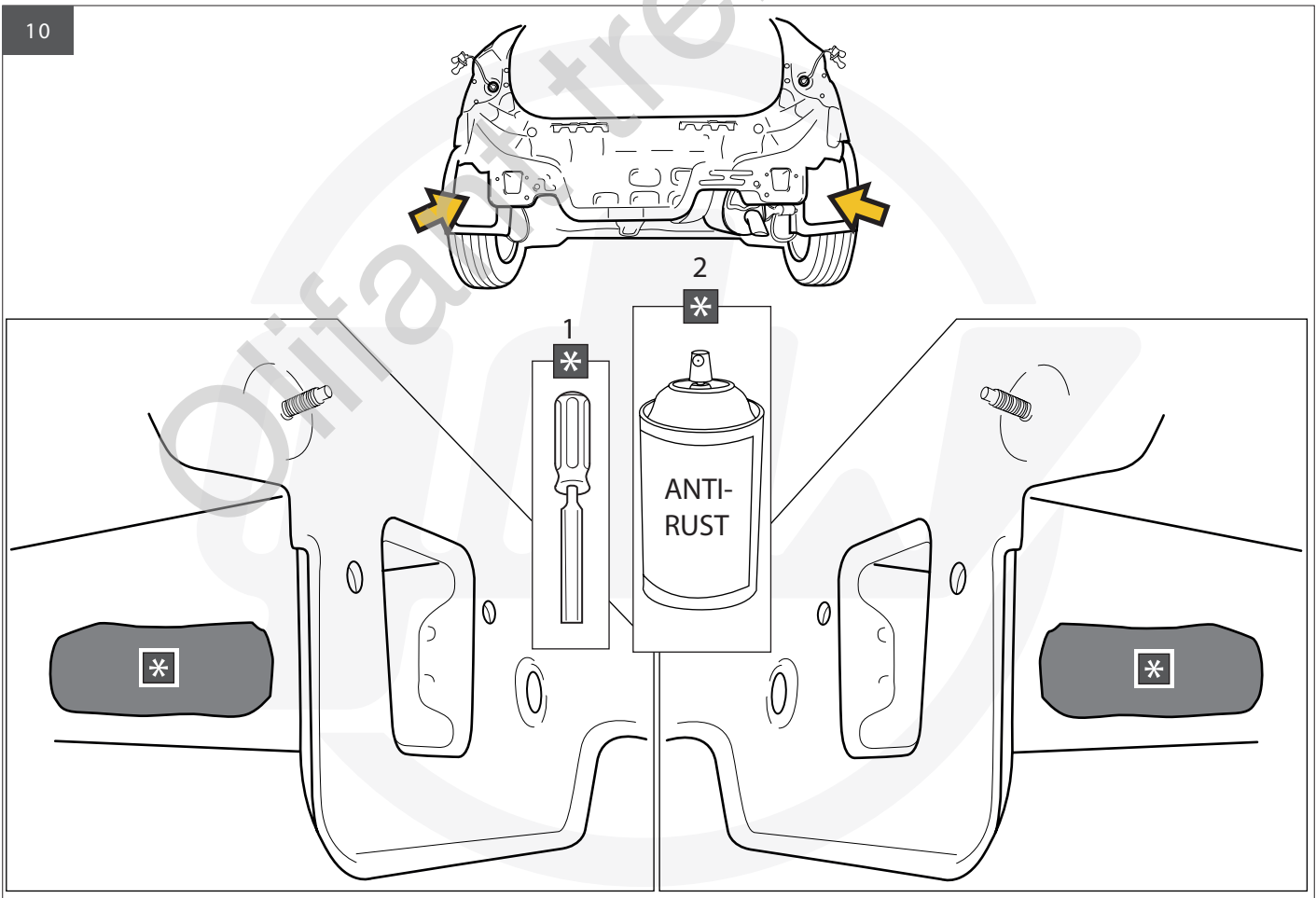
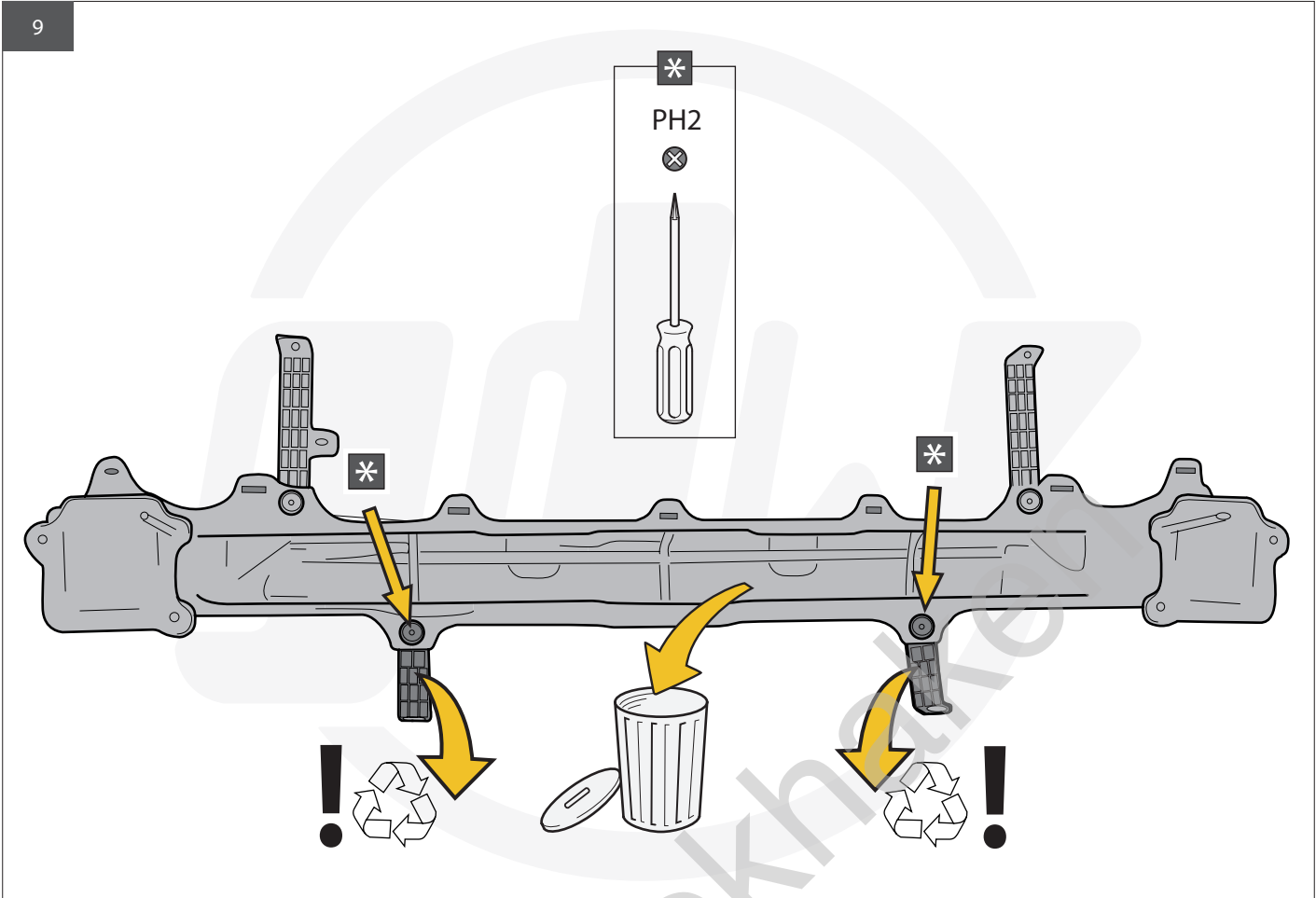
5

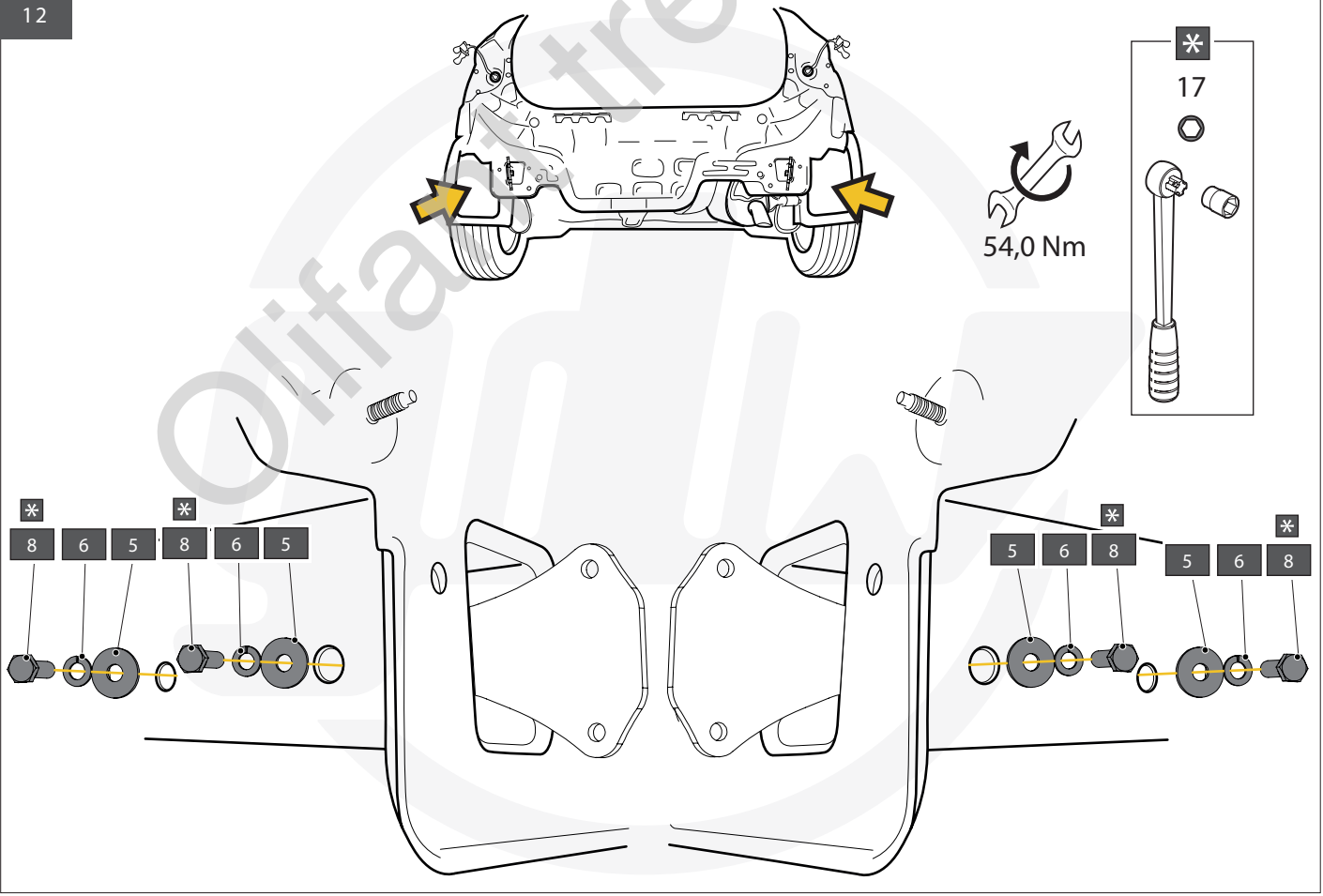
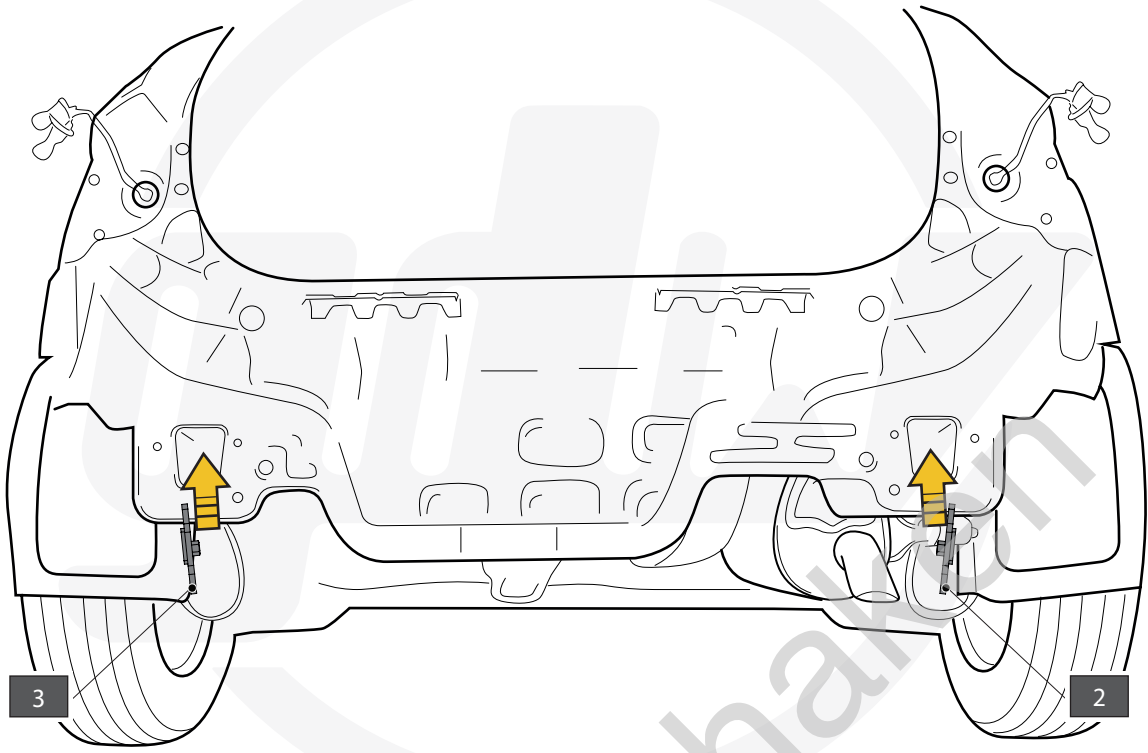


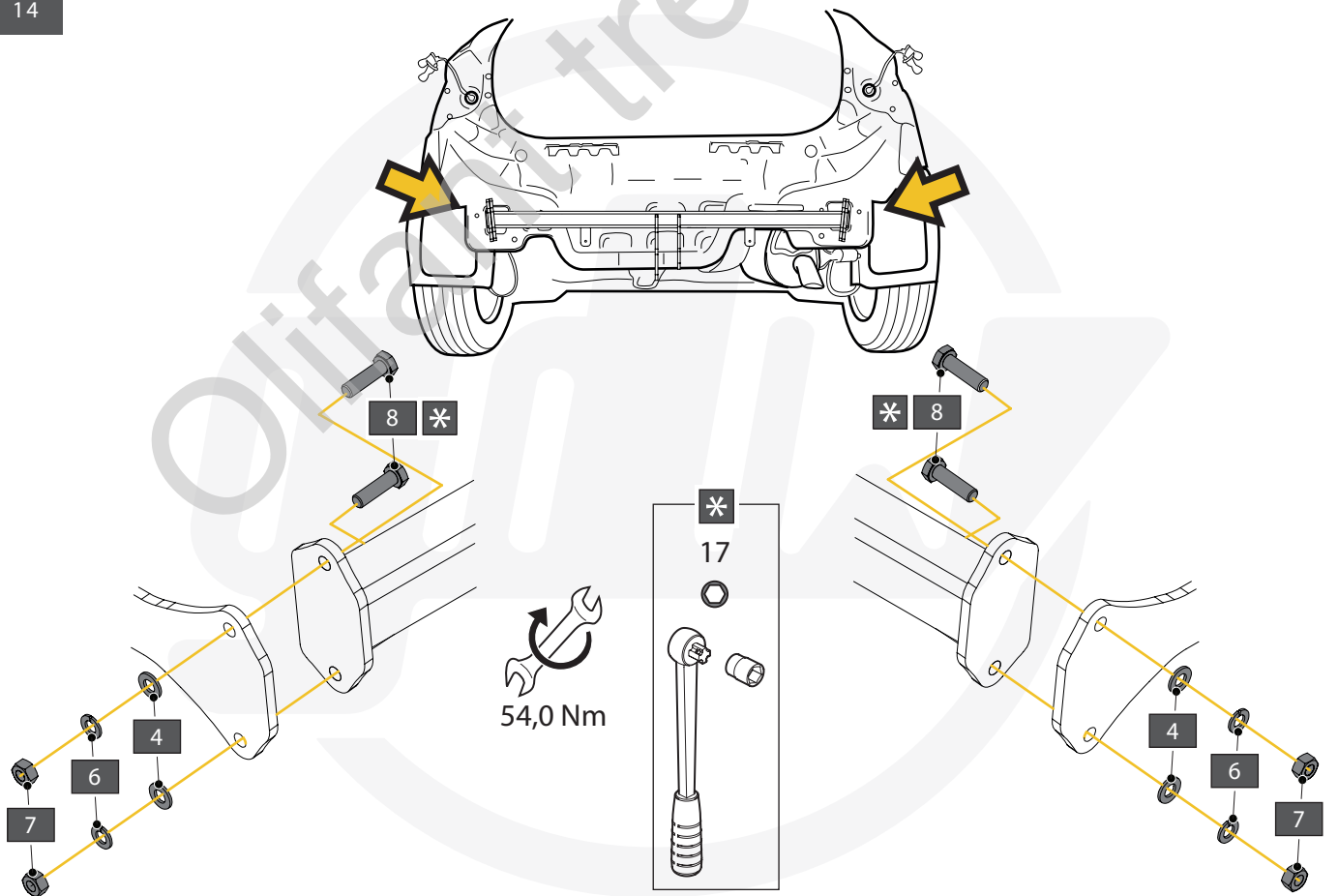
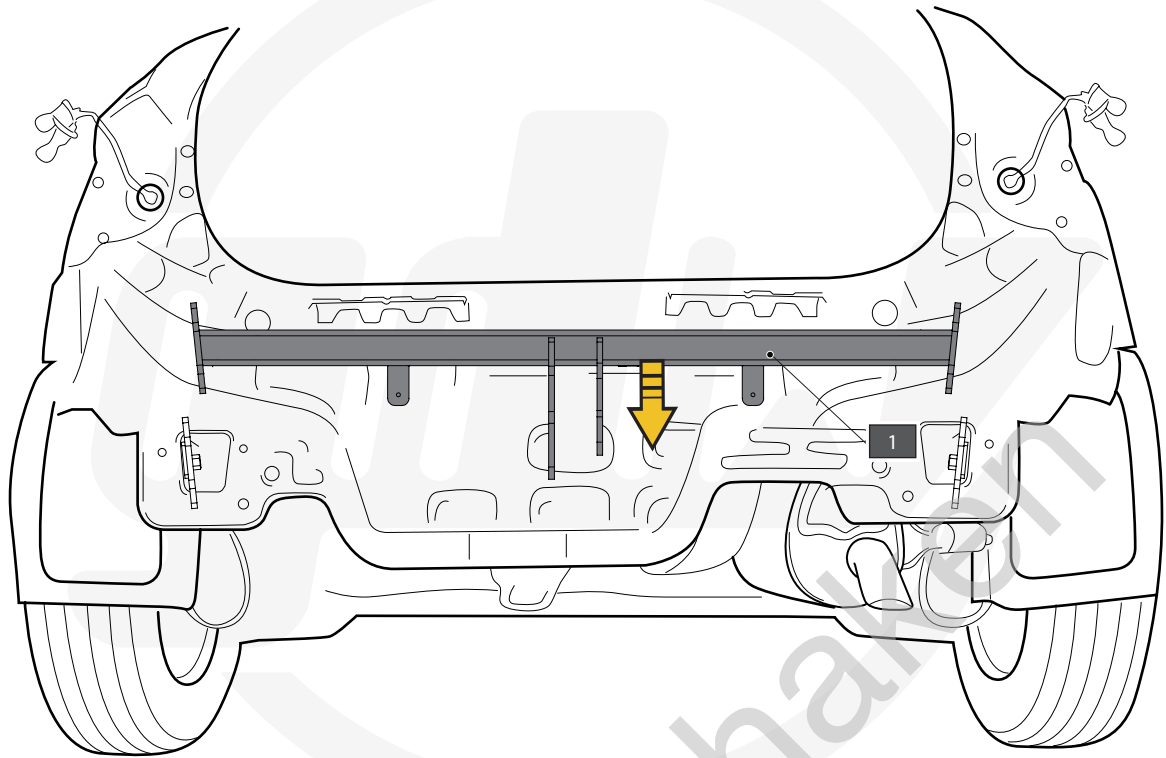
6

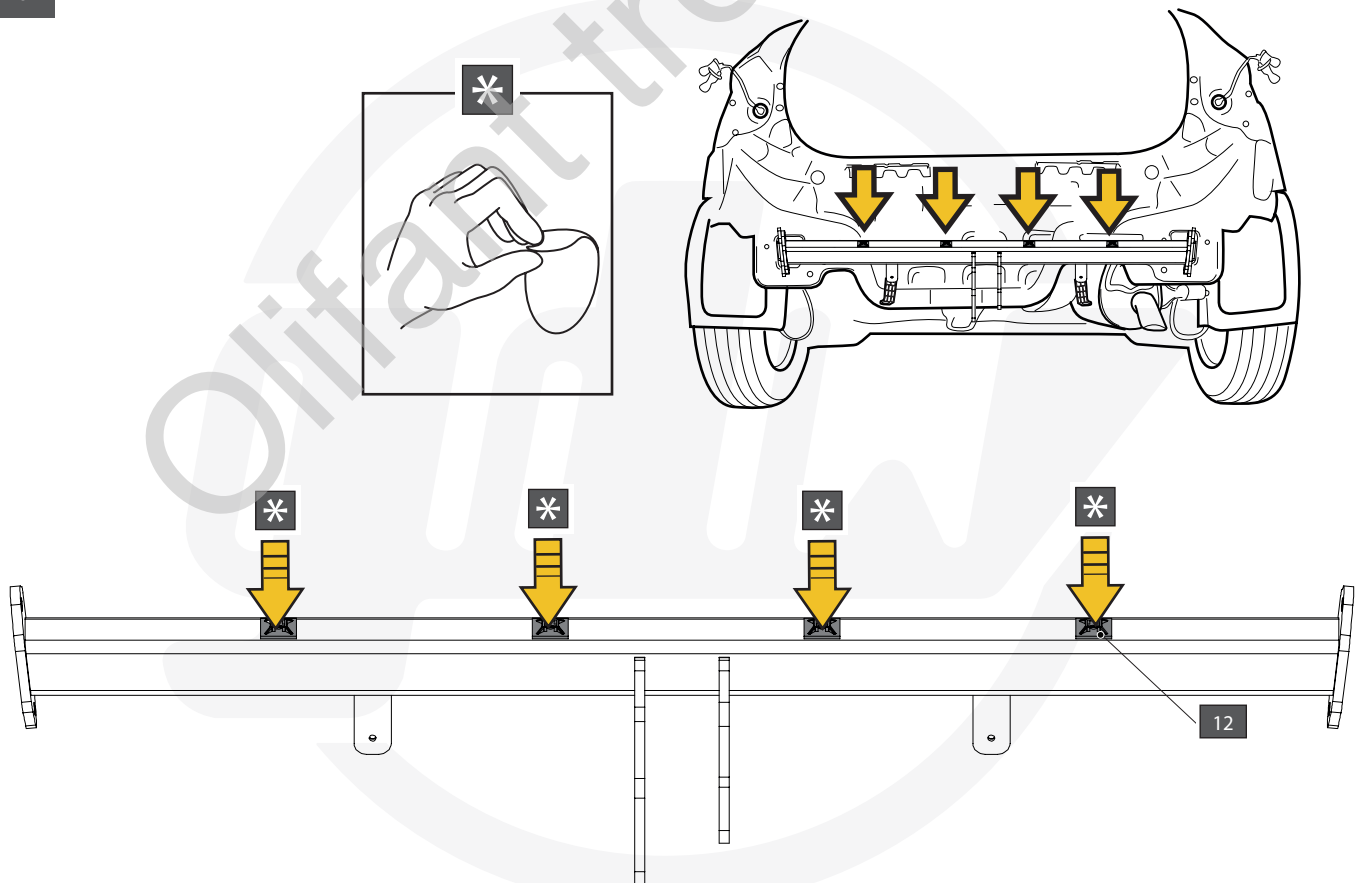
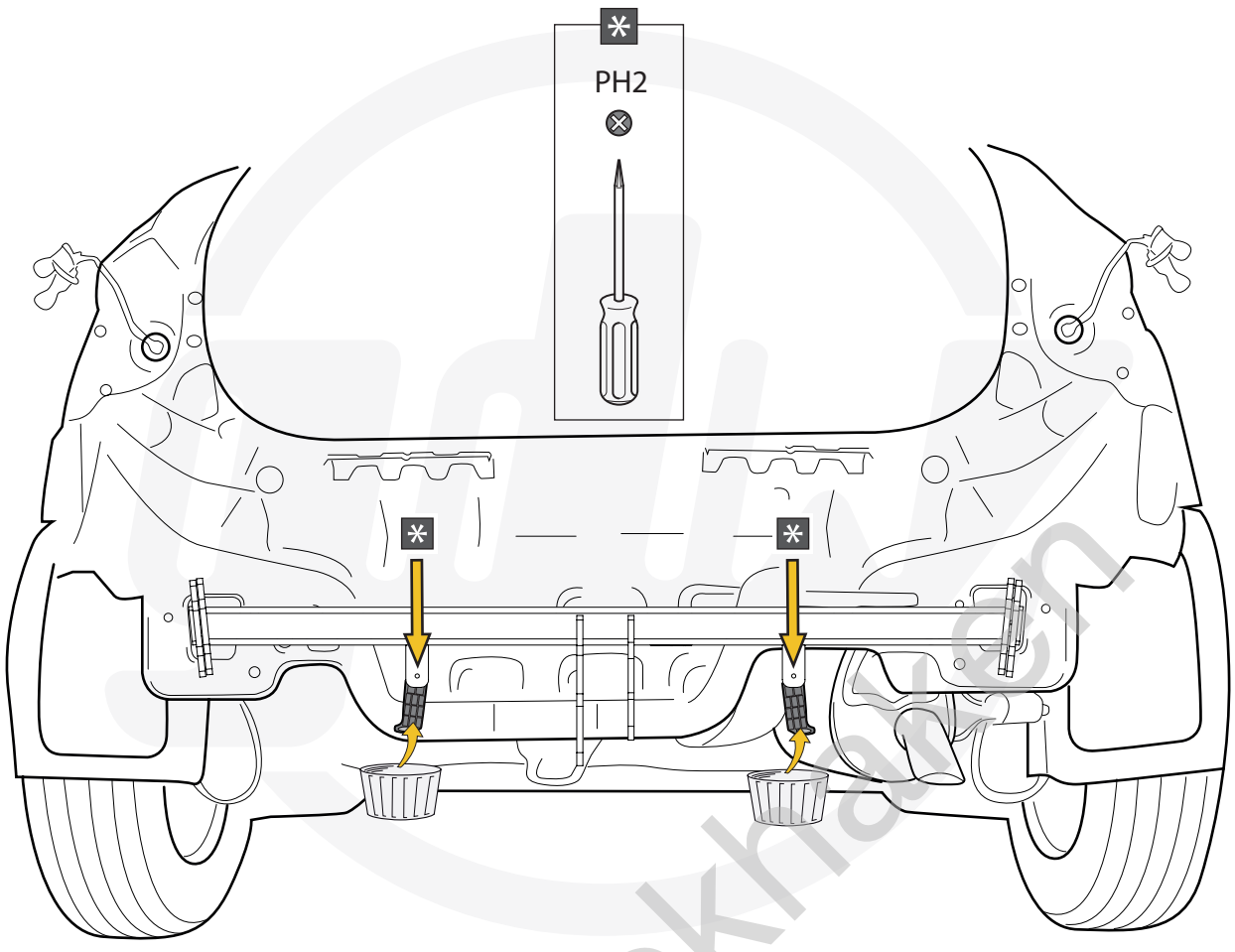




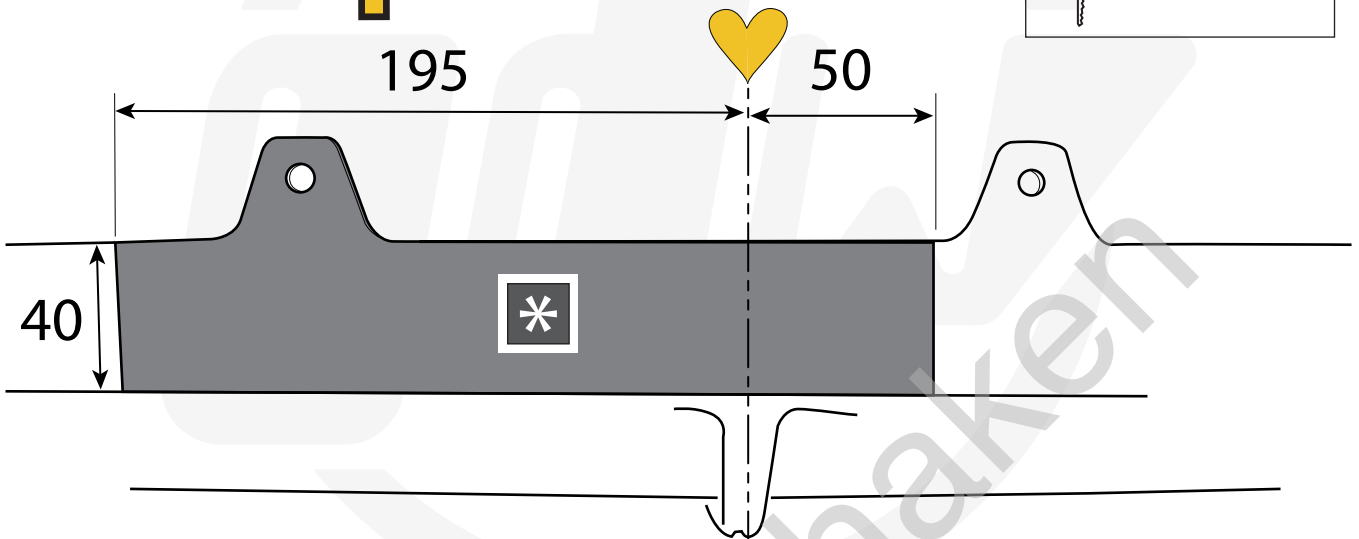
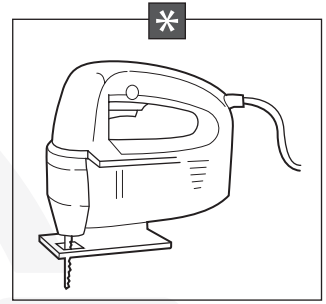
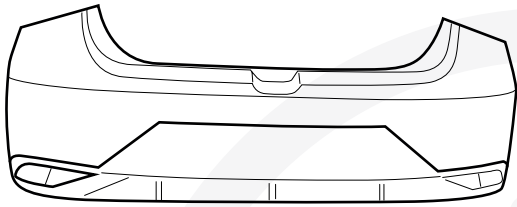




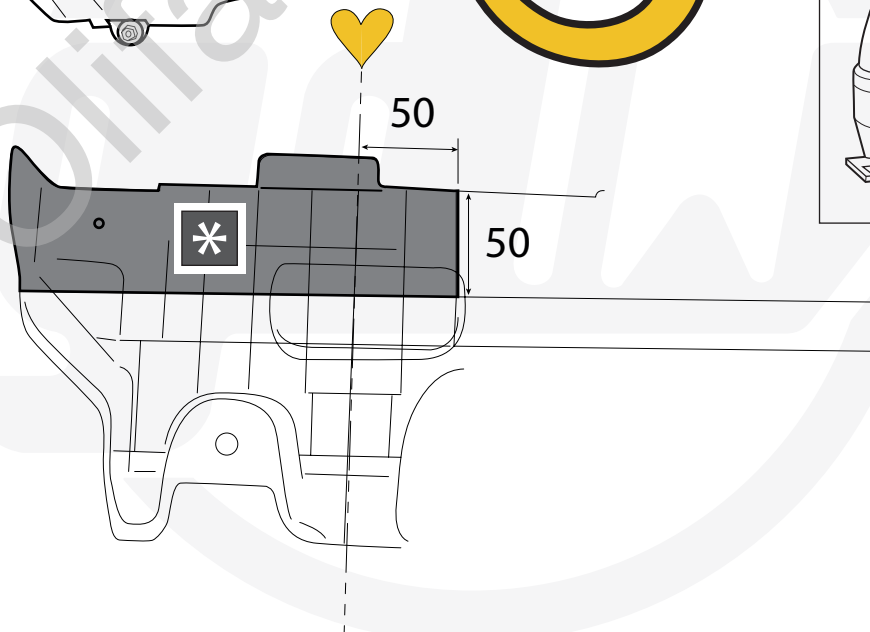
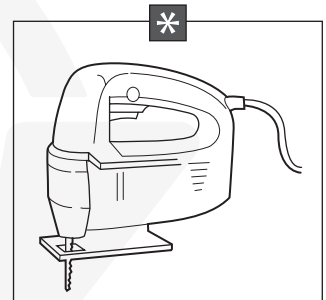
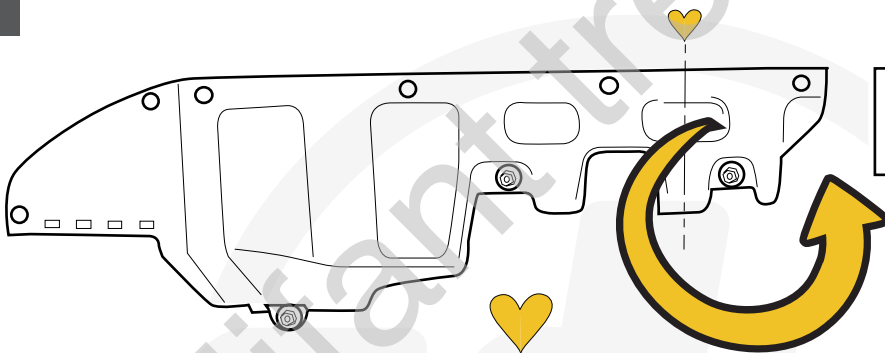


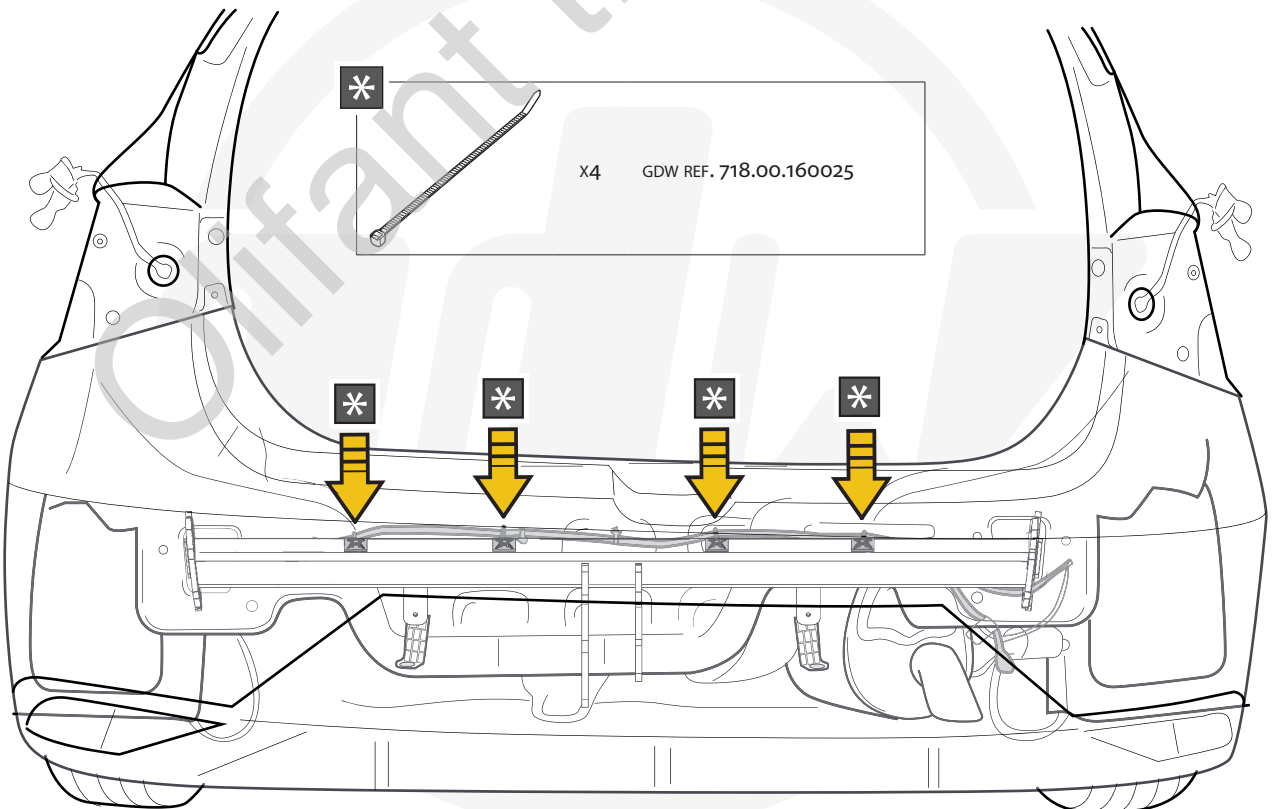
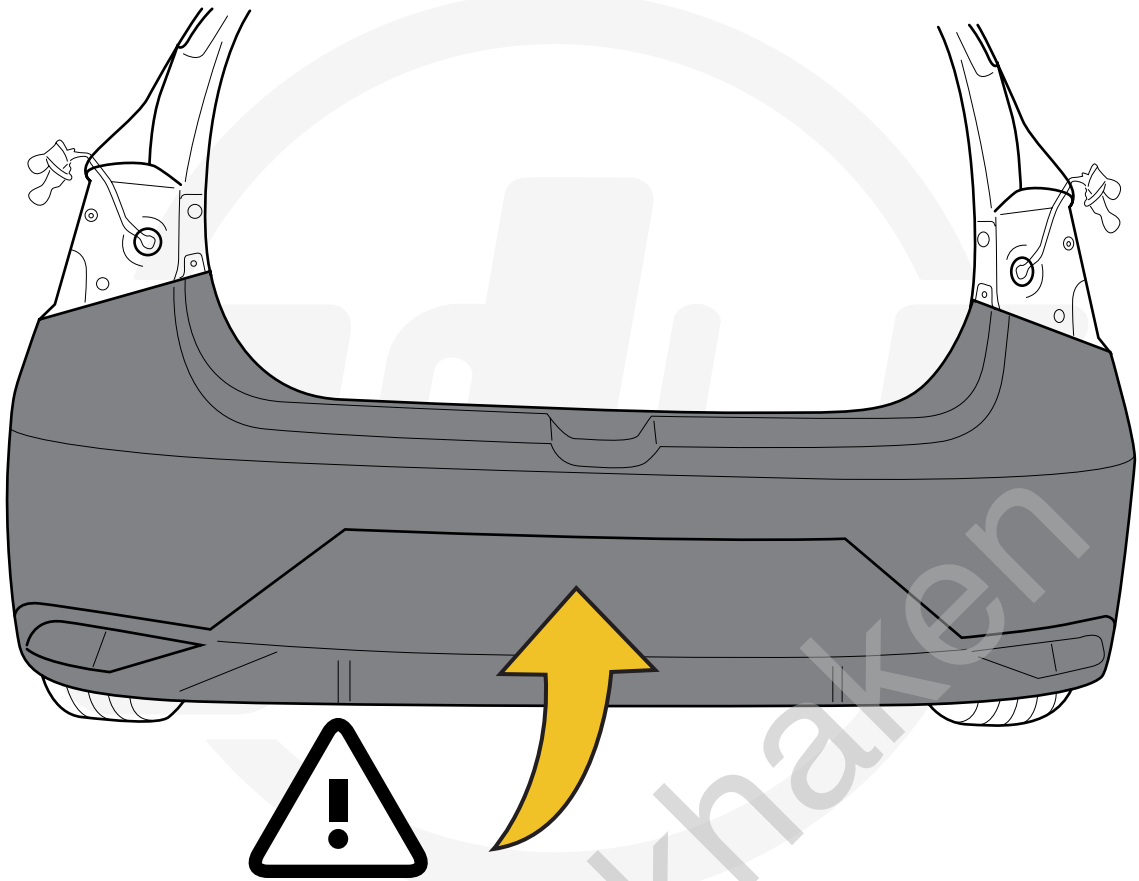


17

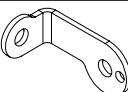




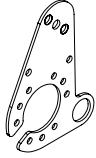
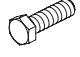


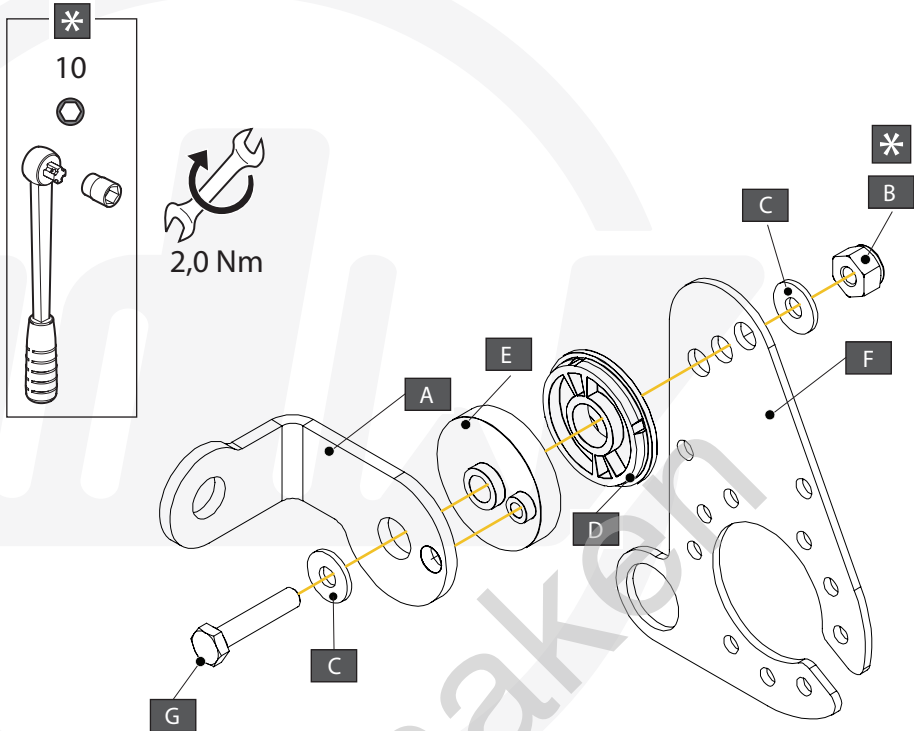
18







A		X1	GDW REF. 908.101
B		X1	DIN985-M6
C		X2	6,2 X 15,4 X 1,6 (NYLON)
D		X1	GDW REF. 718.16.002
E		X1	GDW REF. 718.16.003
F		X1	GDW REF. 908.094
G		X1	DIN933-M6 X 30



**2,0 Nm**

