



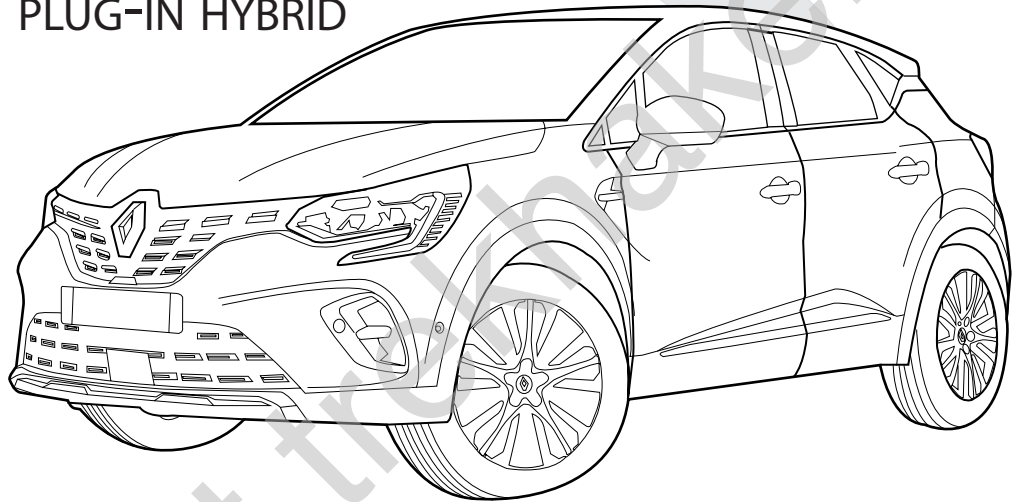
TREKHAKEN • ATTELAGES • ANHÄNGERVORRICHTUNGEN • TOWBARS • ENHANCES • ANHÆNGERTRÆK
Montagehandleiding | instructions de montage | Einbauanleitung | Mounting instruction
Instrucciones de montaje | monteringsvejledning



Renault Captur II (HF)

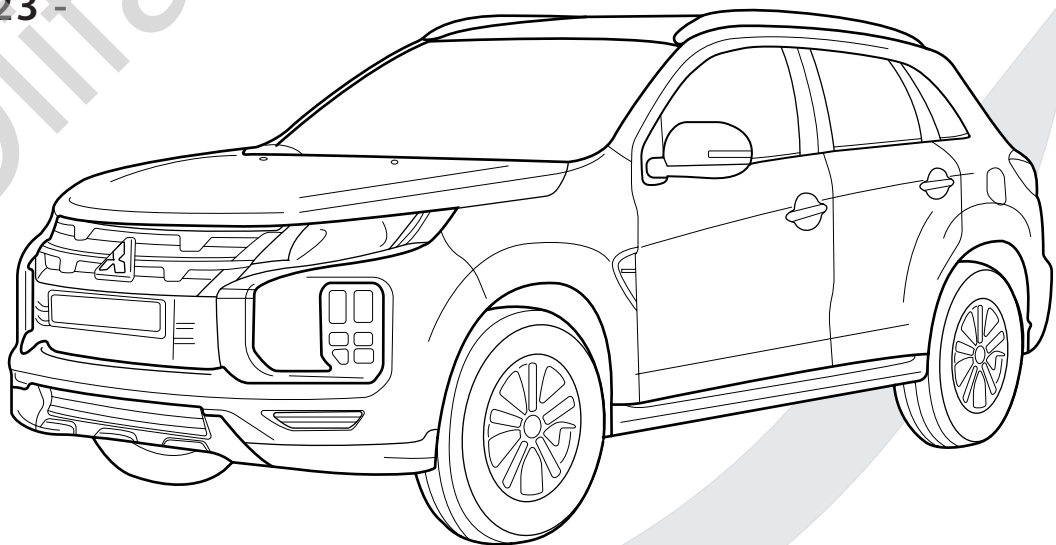
01/'20 -

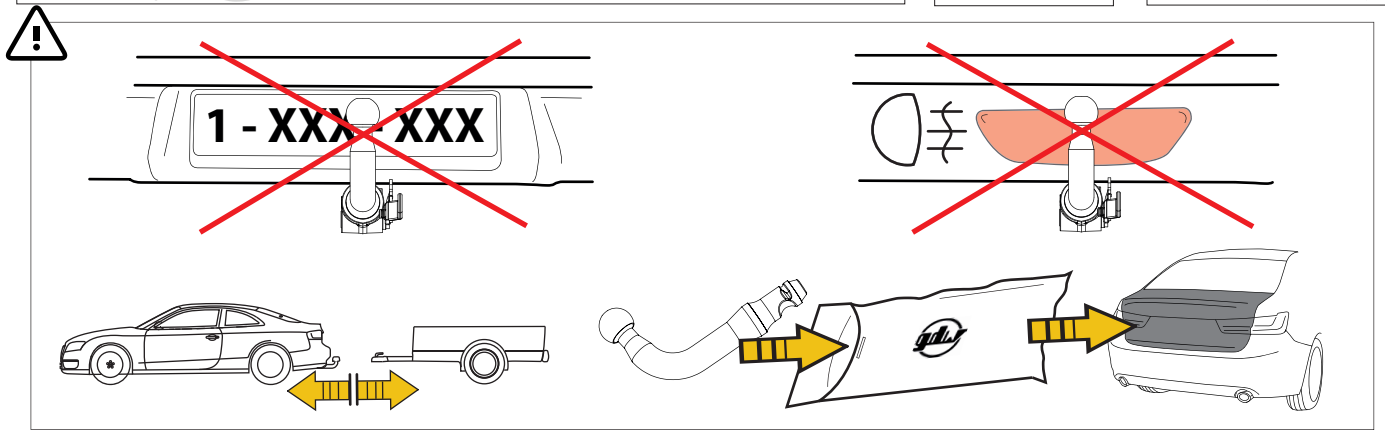
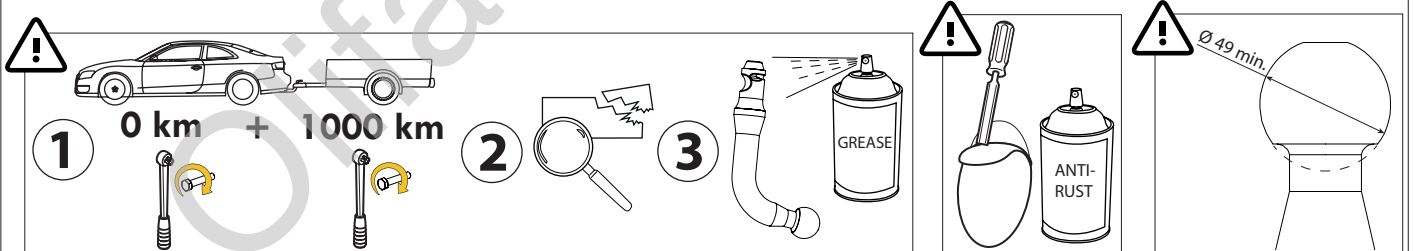
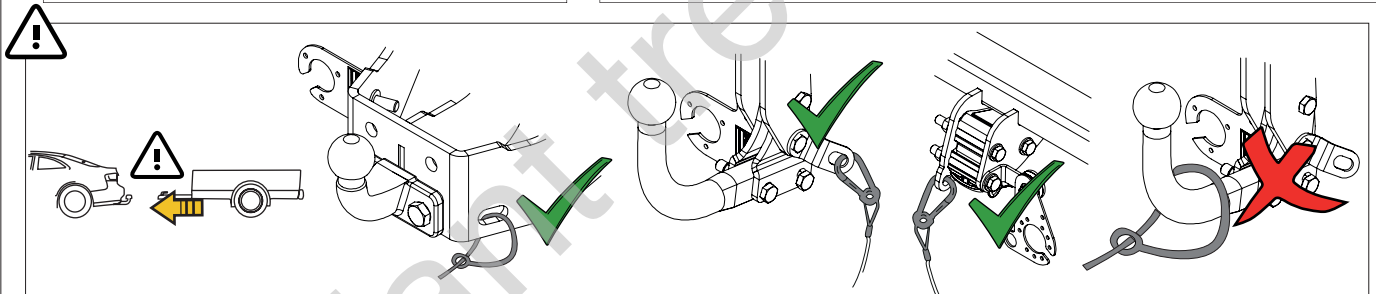
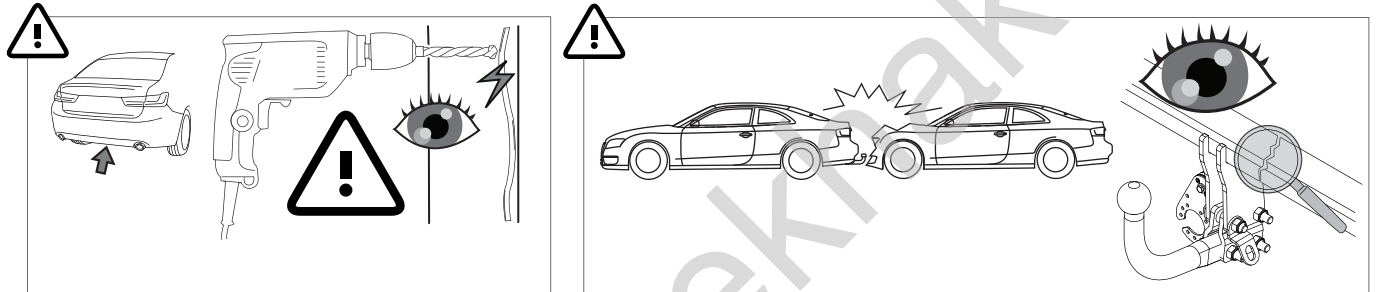
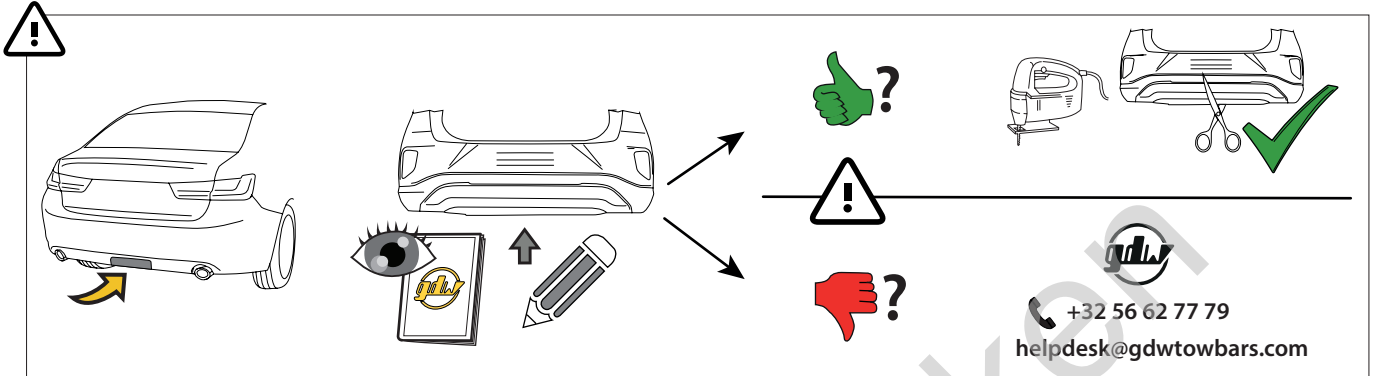
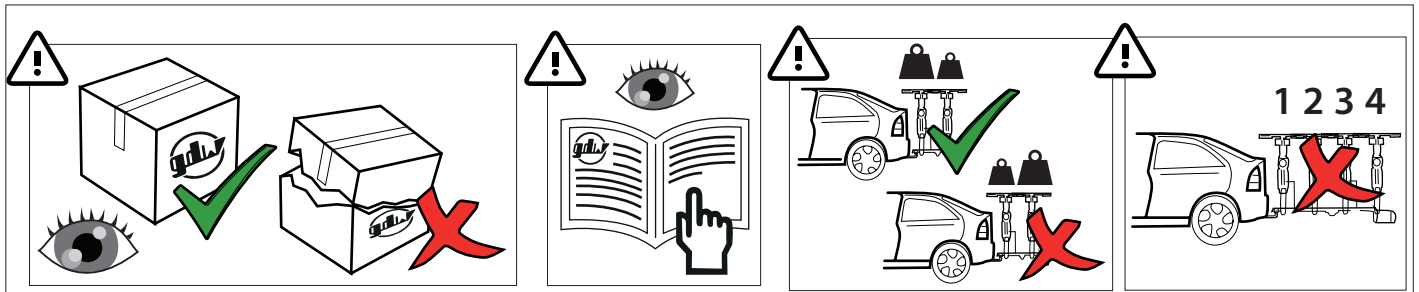
- ✓ STANDARD
- ✓ AD BLUE
- ✓ PLUG-IN HYBRID



Mitsubishi ASX (VSX,VSE)

01/'23 -





MADE BY



D 8,70

F

E6

BELGIUM

S 75

EC-N°

55R-021646

REF N°

2537T60

SERIAL N°

XXXX

DESCRIPTION

Renault Captur II 01/'20-, Mitsubishi ASX 01/'23-



$$D = \frac{\text{max kg (car)} \times \text{max kg (trailer)}}{\text{max kg (car)} + \text{max kg (trailer)}} \times 0.00981 \leq 8,70 \text{ kN}$$

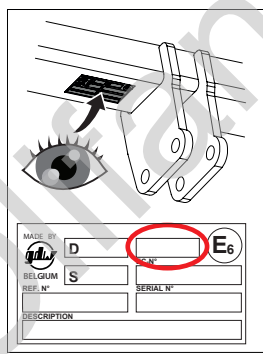
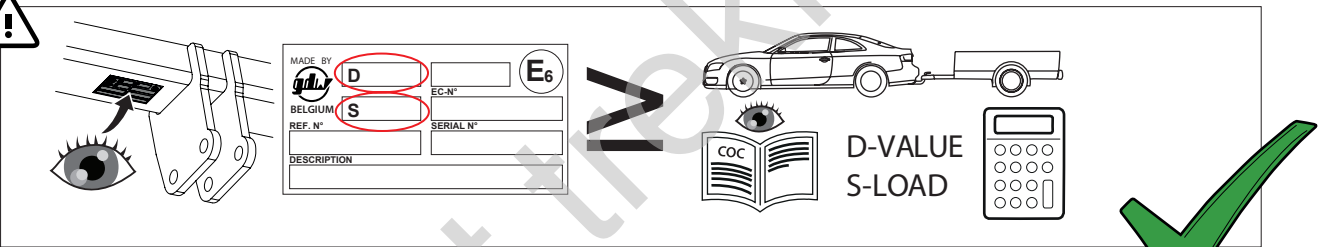
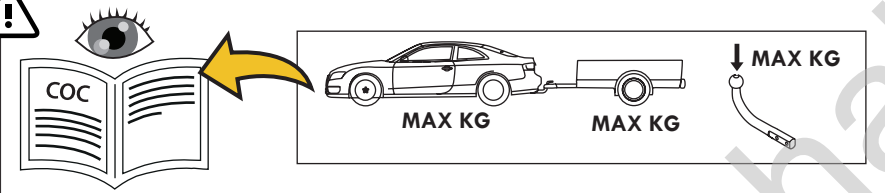
$$S = \text{max kg (hook)} \leq 75 \text{ kg} \quad \text{max kg (trailer)} \leq 1500 \text{ kg}$$



See the Certificate Of Conformity (COC) of your vehicle or contact your dealer to verify the max. trailer weight of your car!

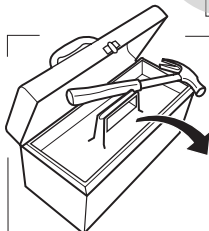
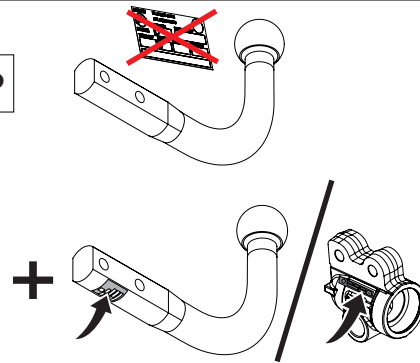


See the user manual of the vehicle for correct use of bicycle carriers!



A50-X?

F?



10

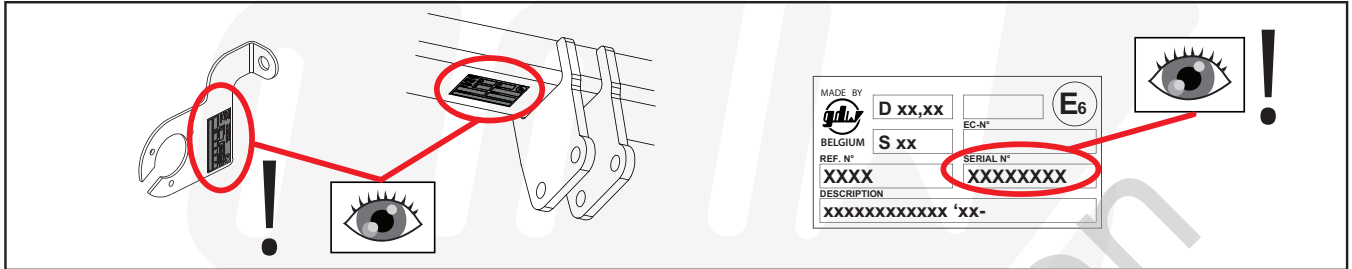
13

19

24

TX20



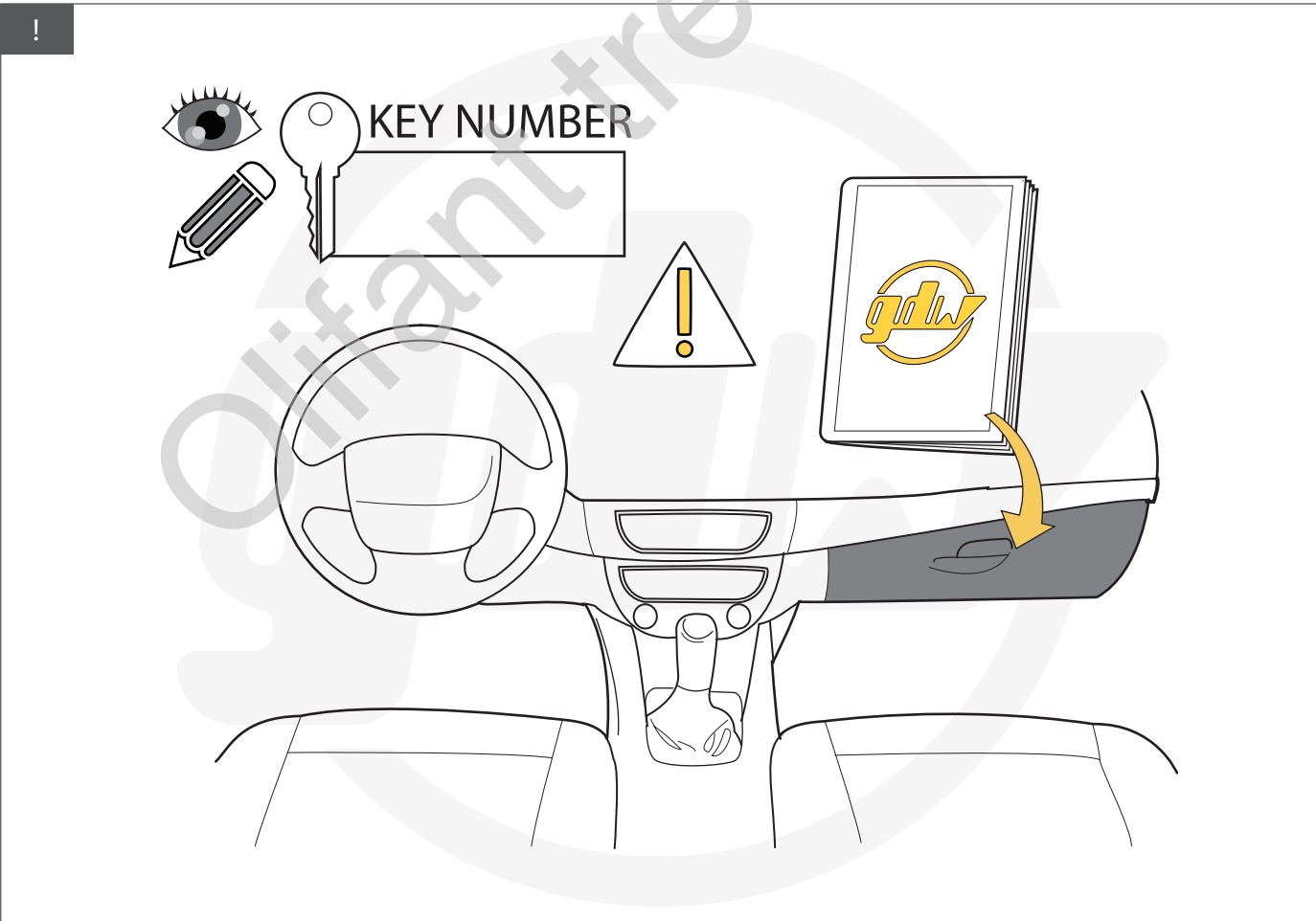


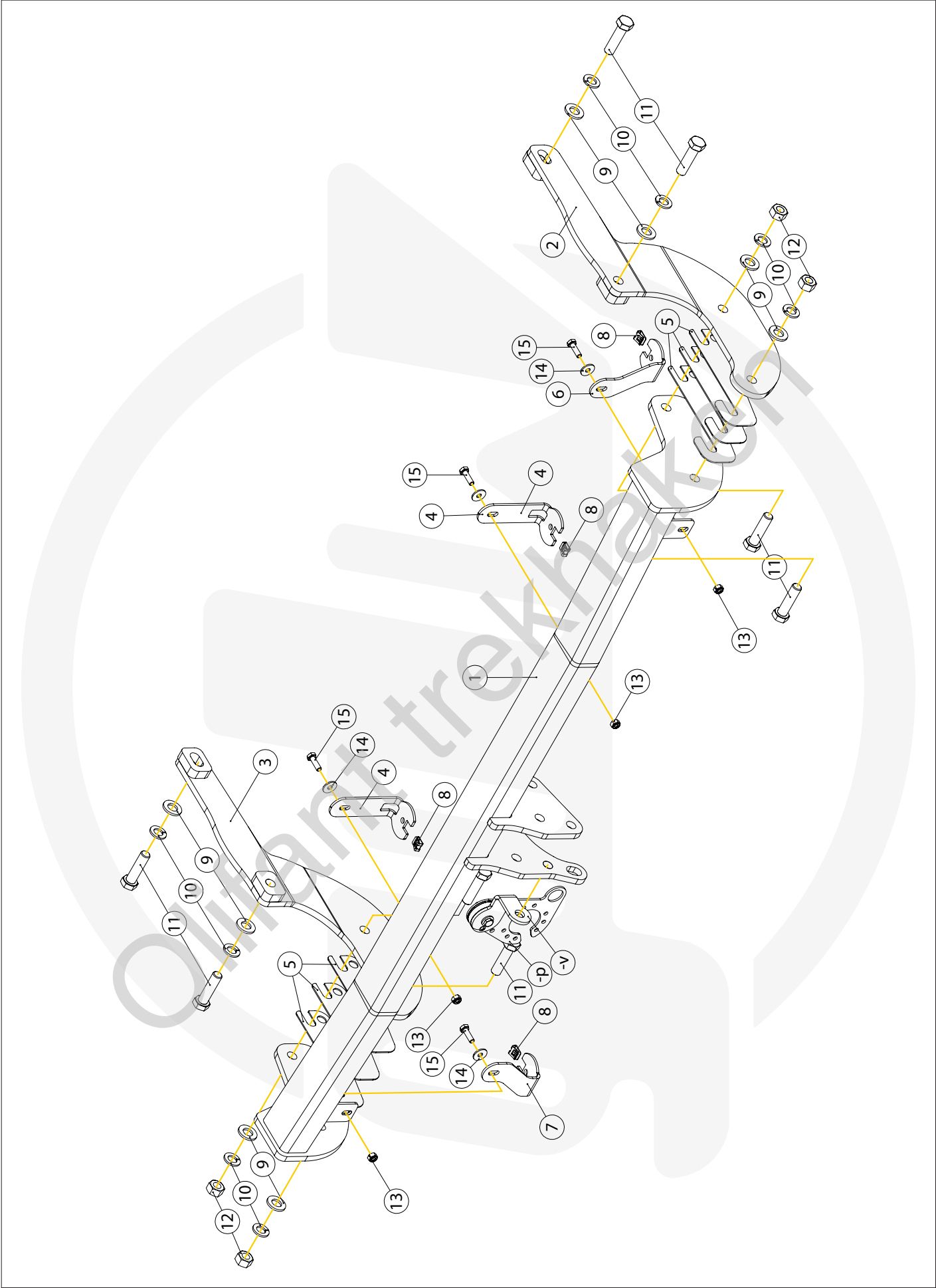


helpdesk@gdwtowbars.com

+32 56 62 77 79

Monday	08:00 - 12:00	12:30 - 16:30
Tuesday	08:00 - 12:00	12:30 - 16:30
Wednesday	08:00 - 12:00	12:30 - 16:30
Thursday	08:00 - 12:00	12:30 - 16:30
Friday	08:00 - 12:00	12:30 - 15:30



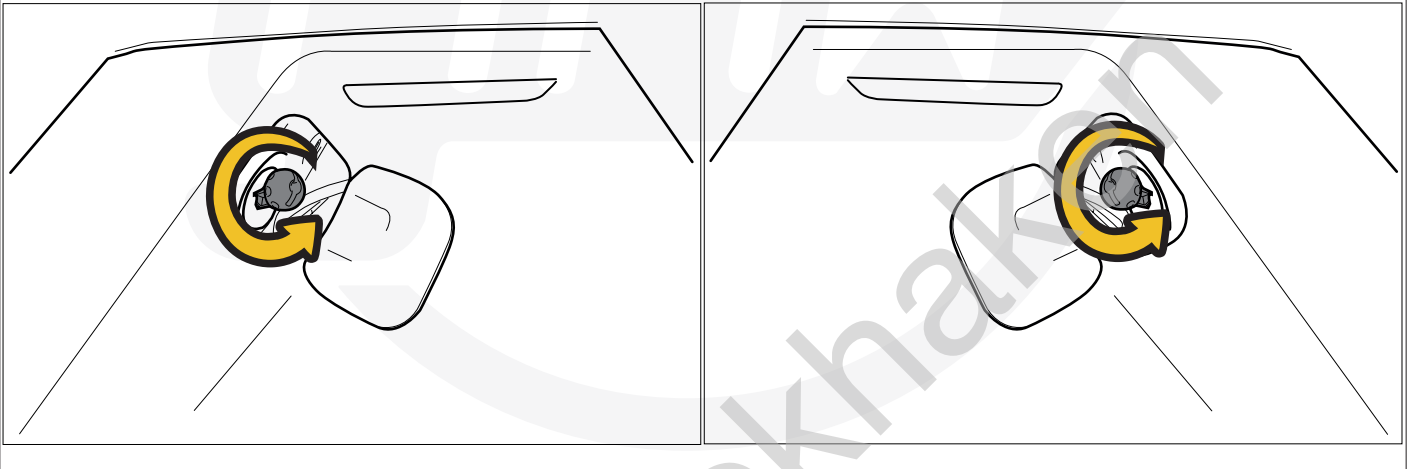
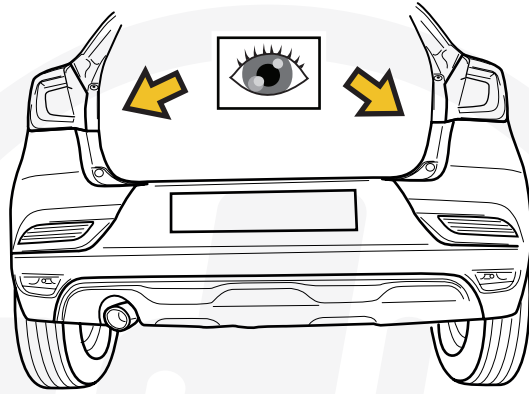


1		X1	GDW REF. 2537T60
2		X1	GDW REF. 2
3		X1	GDW REF. 3
4		X2	GDW REF. 4
5		X6	GDW REF. 5
6		X1	GDW REF. 6
7		X1	GDW REF. 7
8		X4	SNAP NUT NUS 245-3 GDW REF. 721.32.003
9		X8	DIN125-A12-140HV-ELZ
10		X8	DIN 128A-M12
11		X8	DIN931-M12 X 45
12		X4	DIN 934-M12
13		X4	DIN985-M6
14		X4	DIN9021-M6
15		X4	DIN933-M6 X 20
-V		X1	GDW REF. 908.096

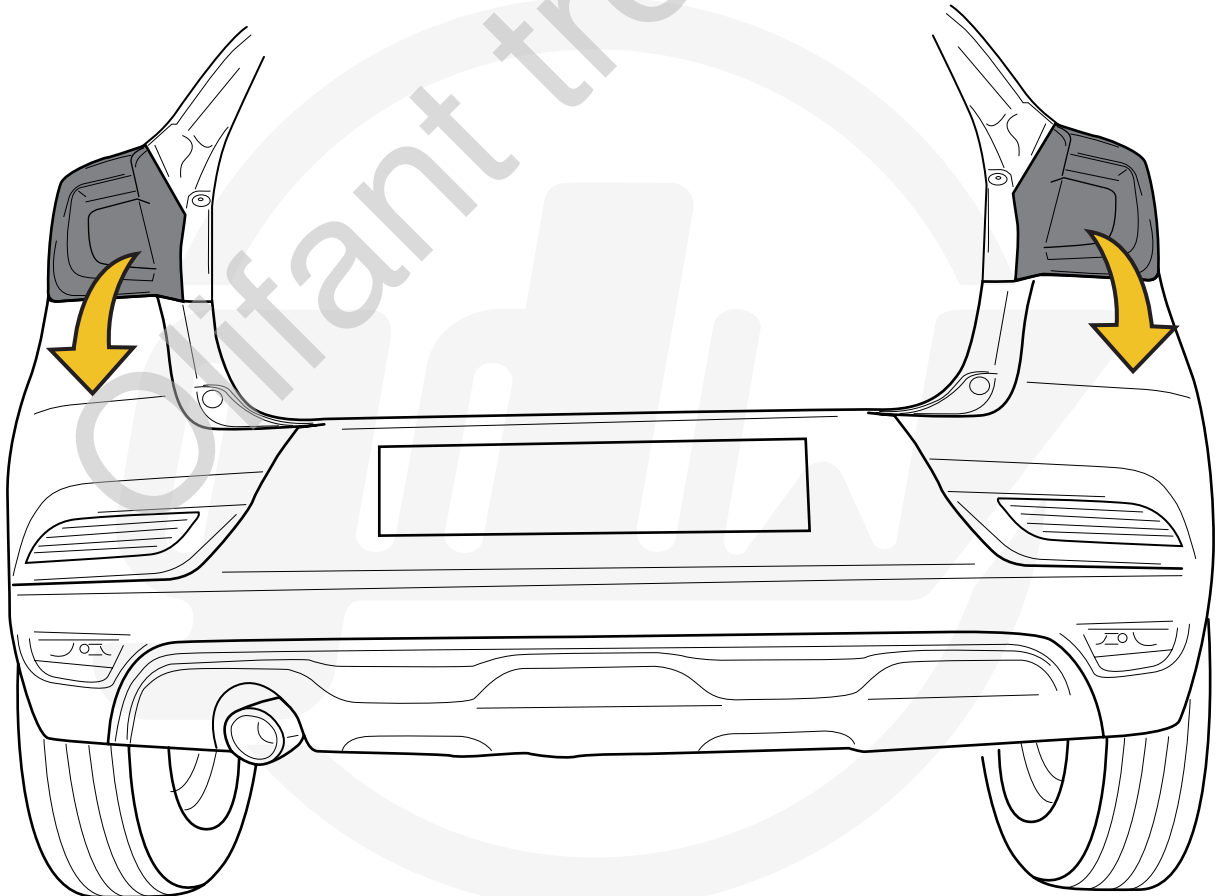
-P		X1	GDW REF. P40
↑		X1	DIN985-M6
↑		X2	6,2 X 15,4 X 1,6 (NYLON)
↑		X1	GDW REF. 718.16.002
↑		X1	GDW REF. 718.16.003
↑		X1	GDW REF. 908.094
↑		X1	DIN933-M6 X 30
↑		X1	GDW REF. 908.096

Geleverd met - Livré avec - Delivered with Geliefert mit - Elementos adjuntos-Leveres med		X1	GDW REF. 960.V0610
↑		X1	GDW REF. 740.200
↑		X1	GDW REF. 912.003
↑		X1	GDW REF. 740.112
↑		X1	GDW REF. 740.111
↑		X1	GDW REF. 740.12X X= LAST NUMBER ON KEY
↑		X1	GDW REF. 718.15.001
↑		X1	GDW REF. SYST60-10
↑		X3	DIN931-M12X110-8.8
↑		X3	DIN128A-M12
↑		X6	DIN125A-M12
↑		X3	DIN934-M12

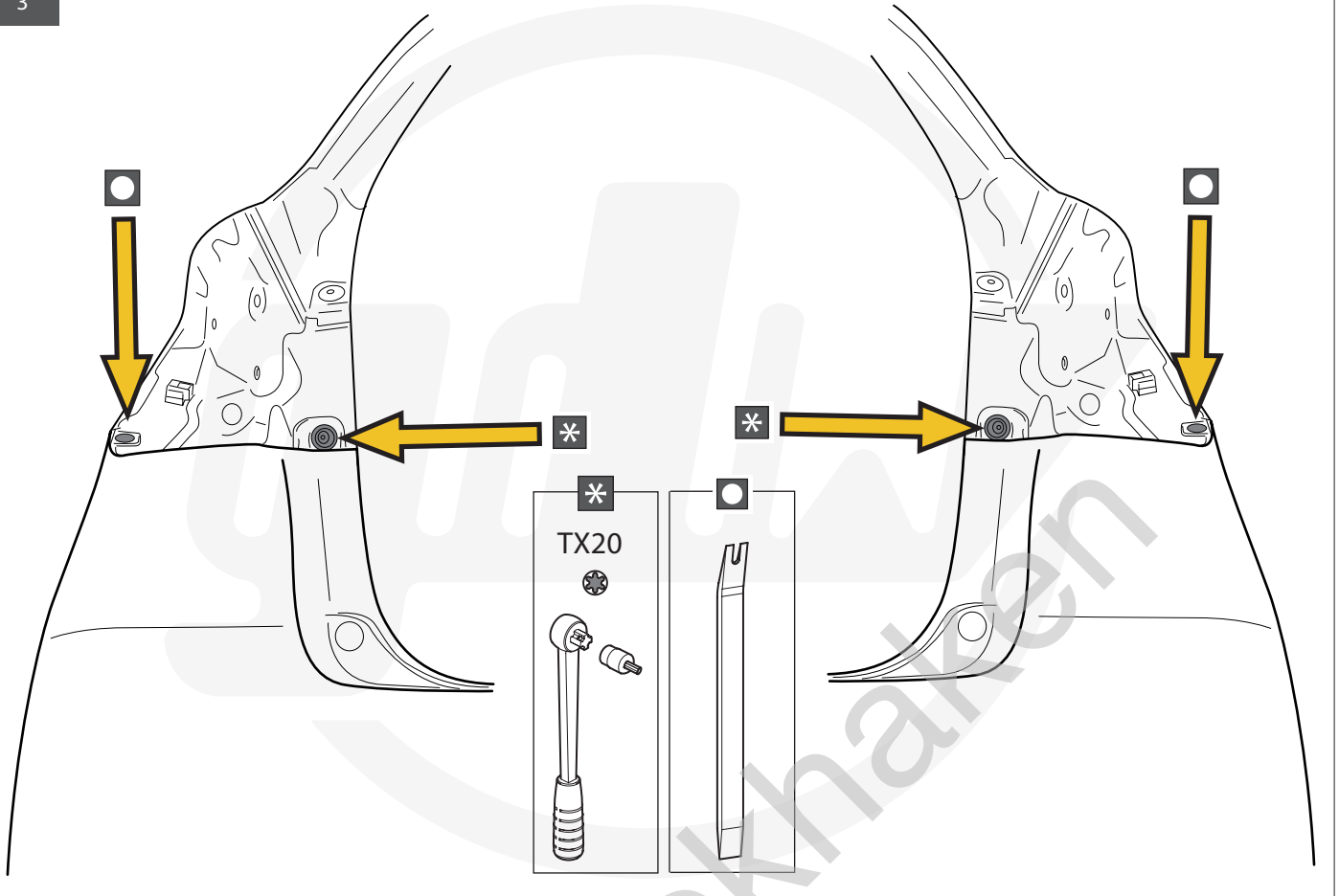
1



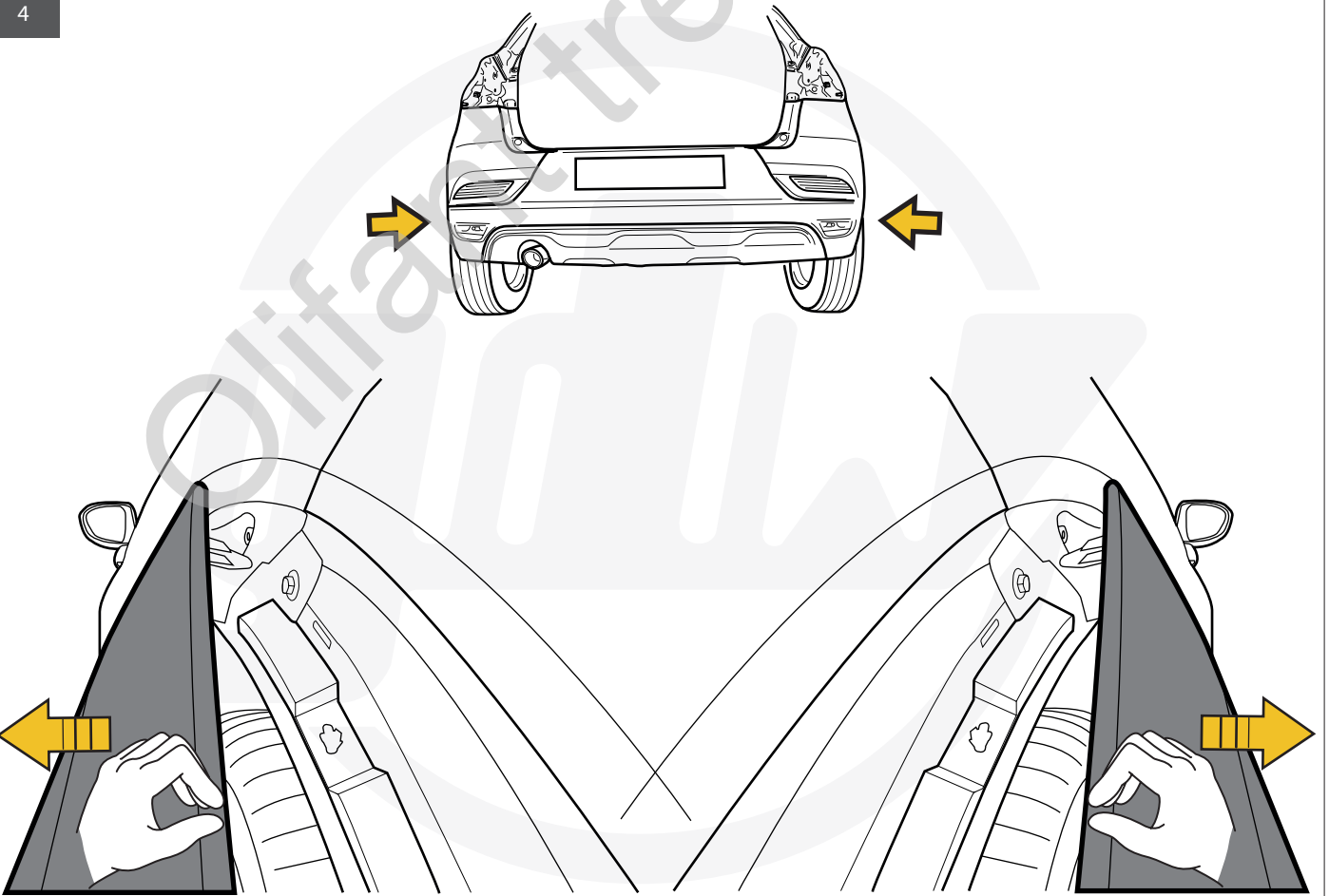
2



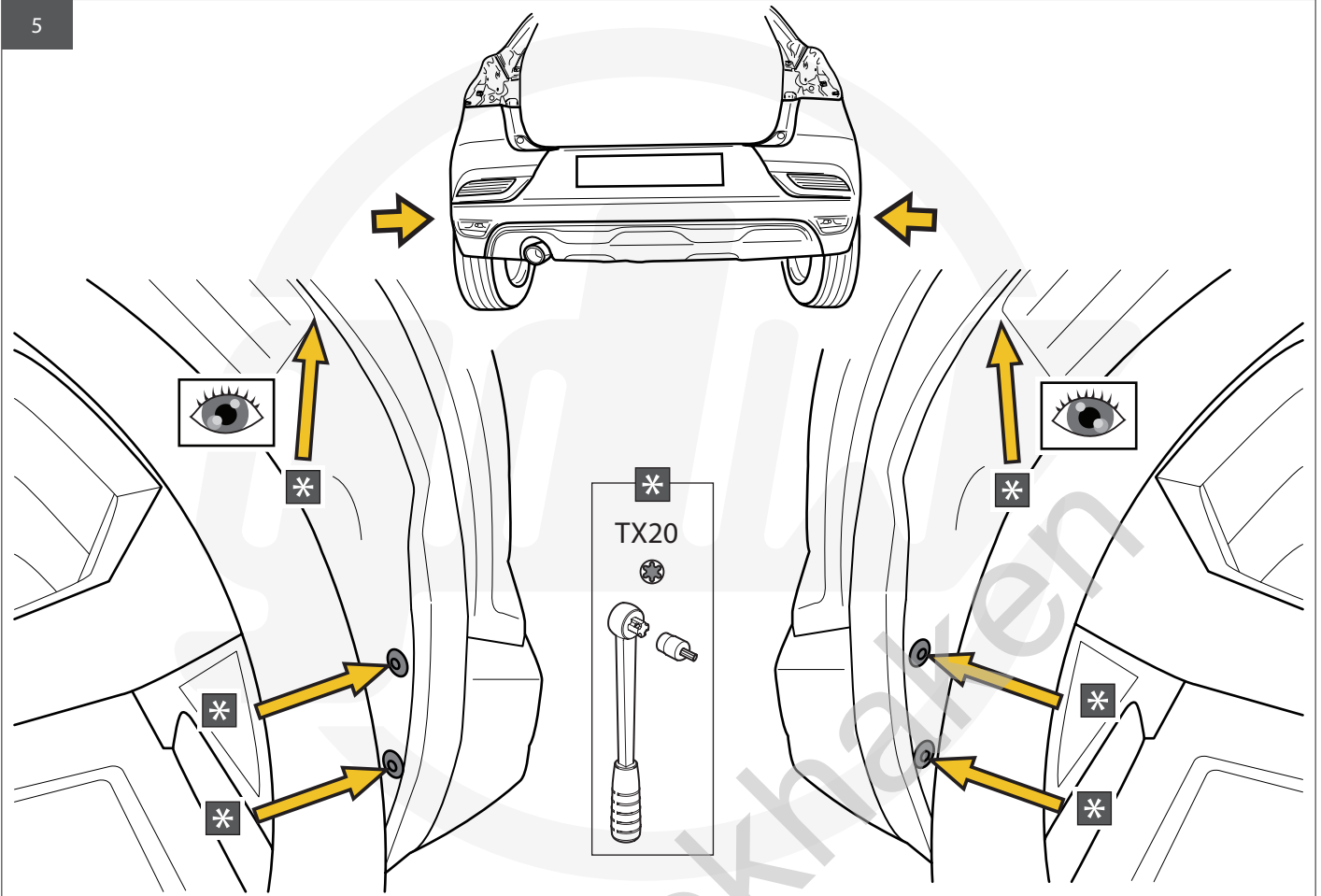
3



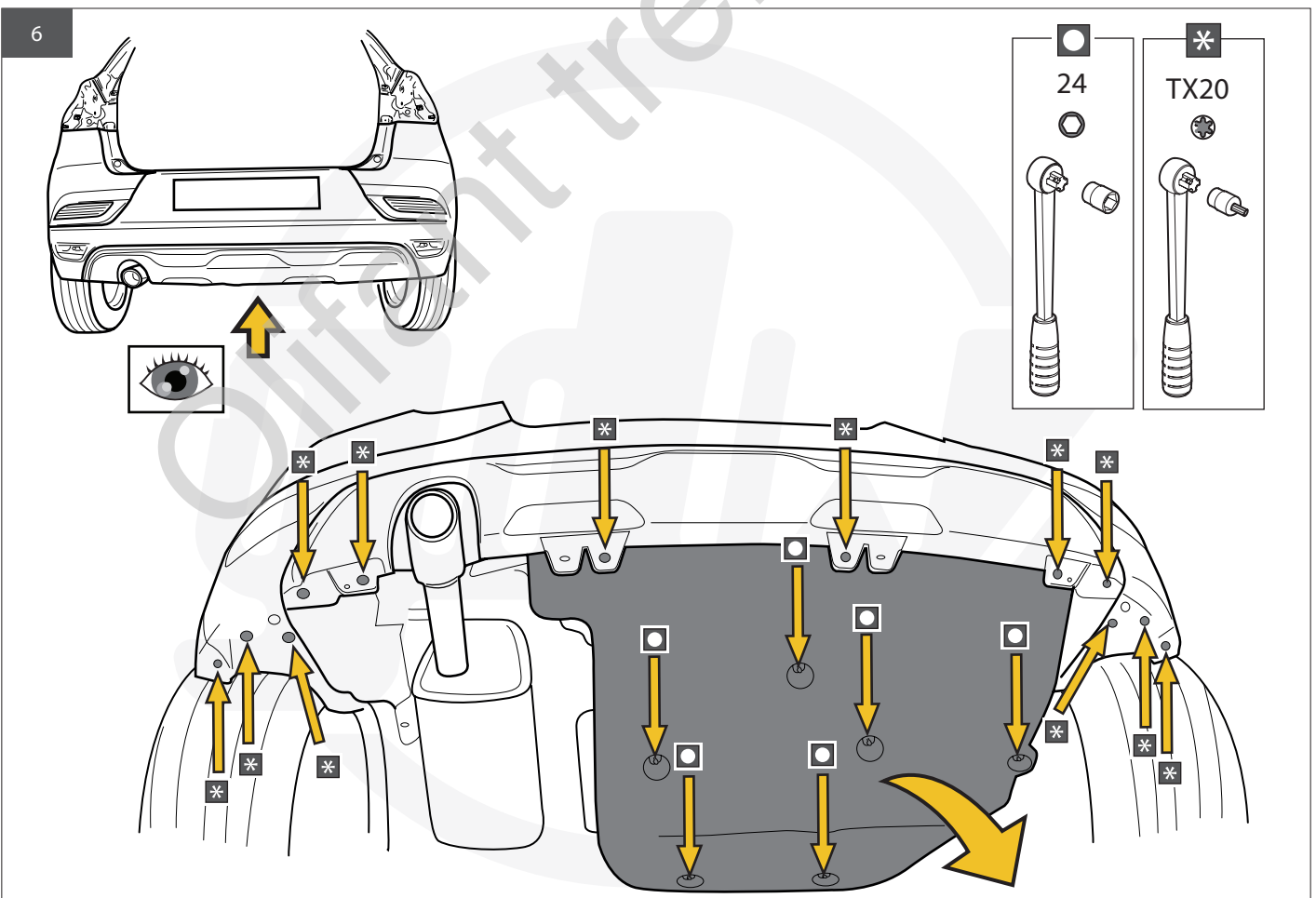
4



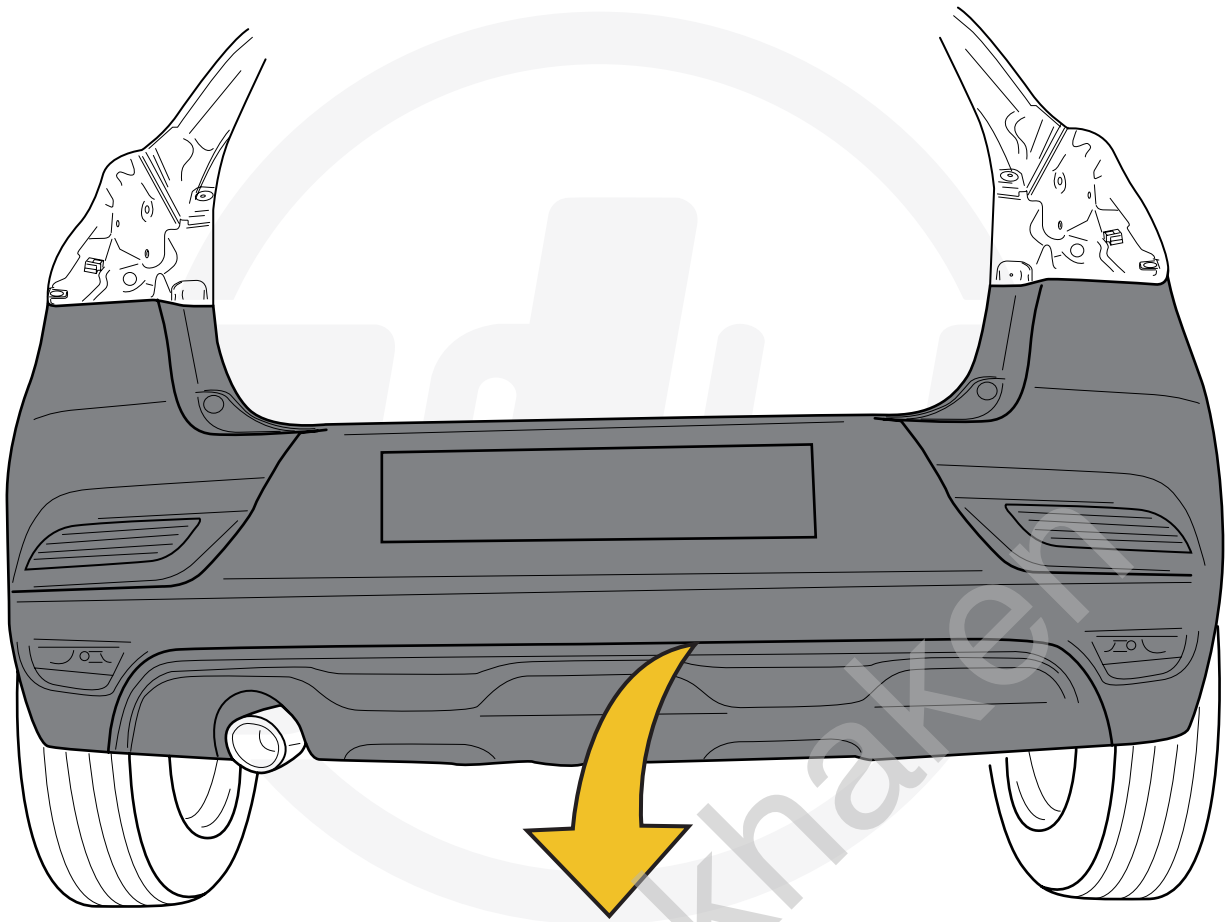
5



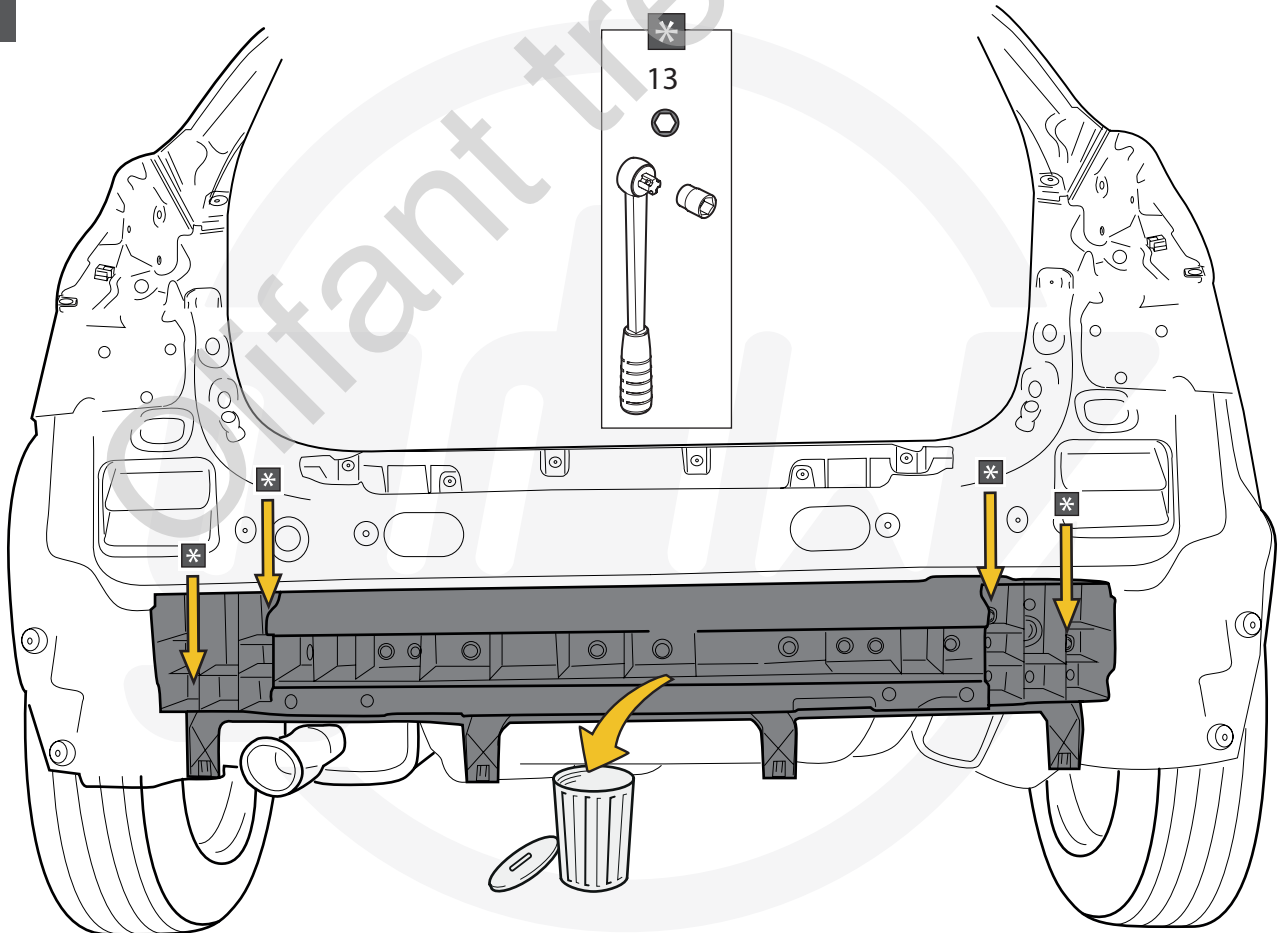
6

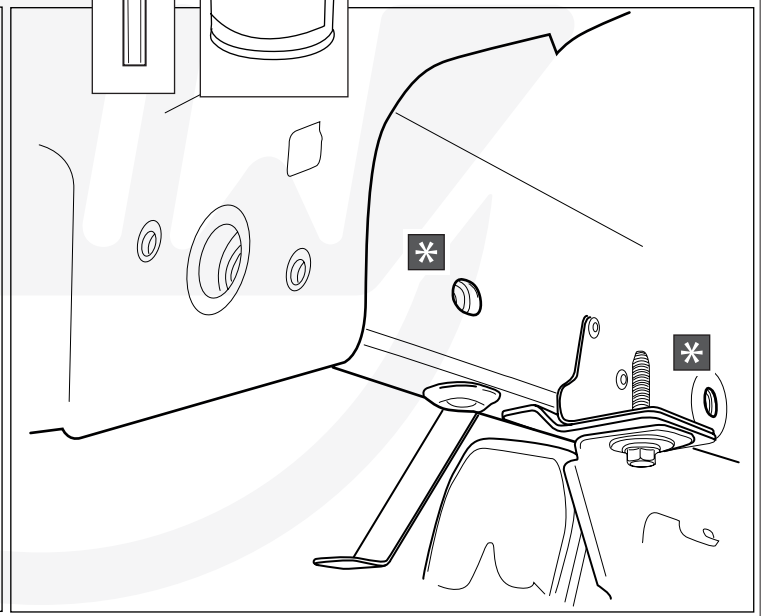
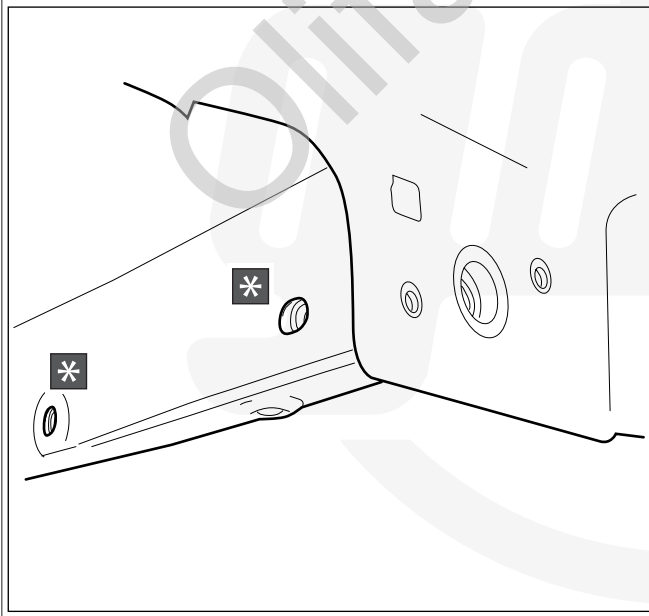
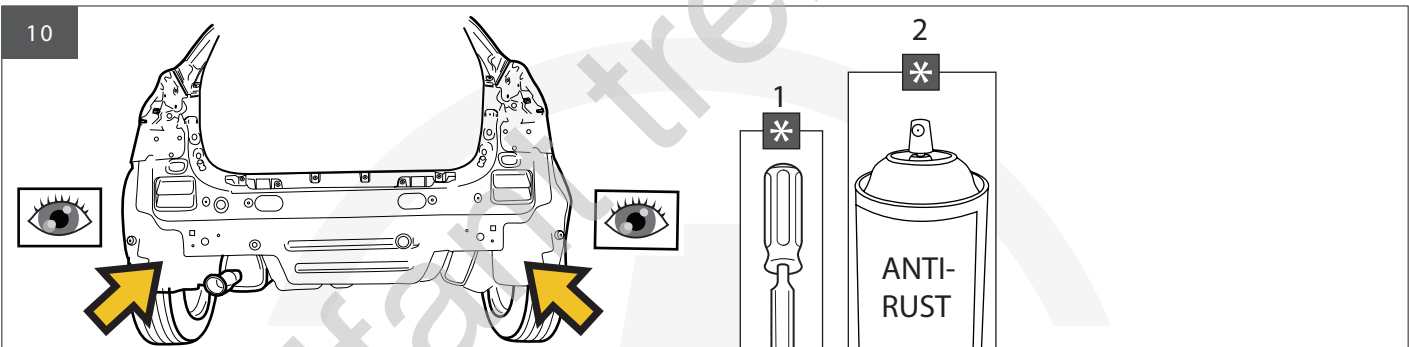
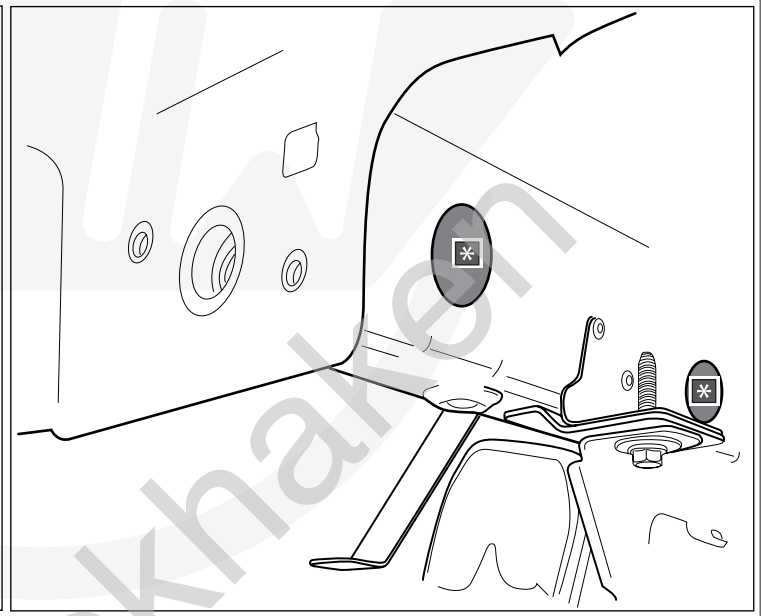
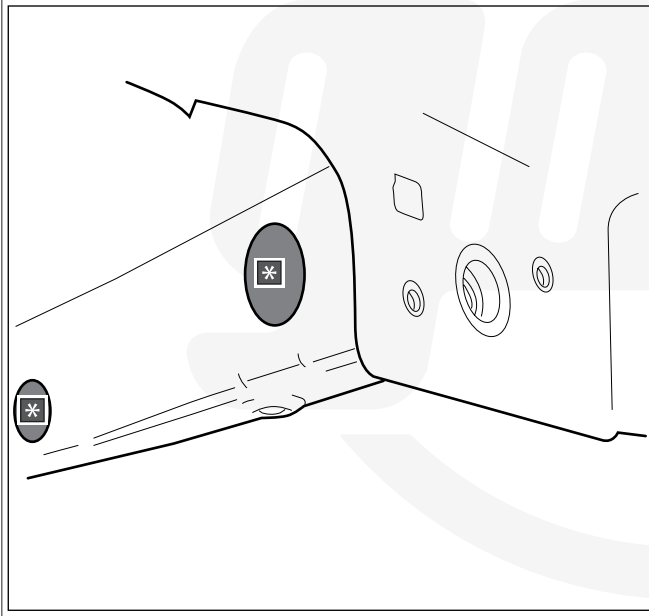
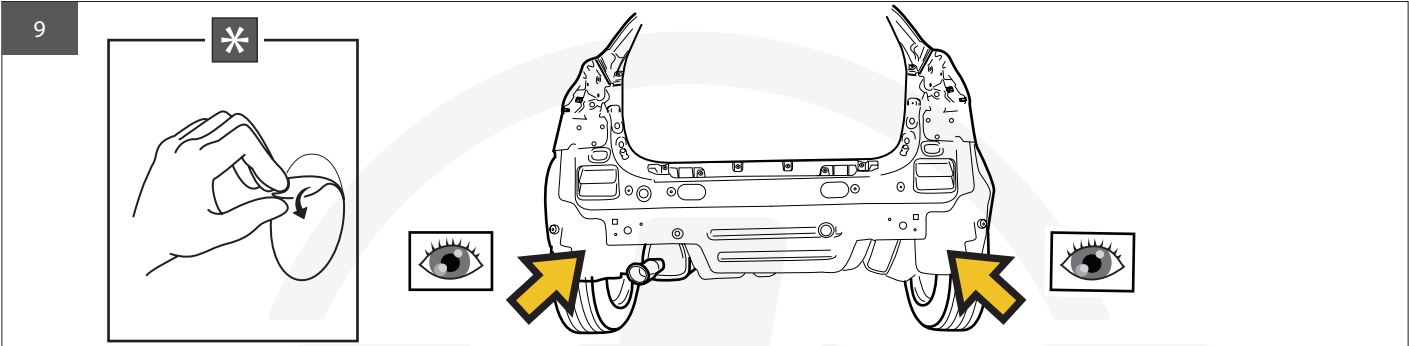


7

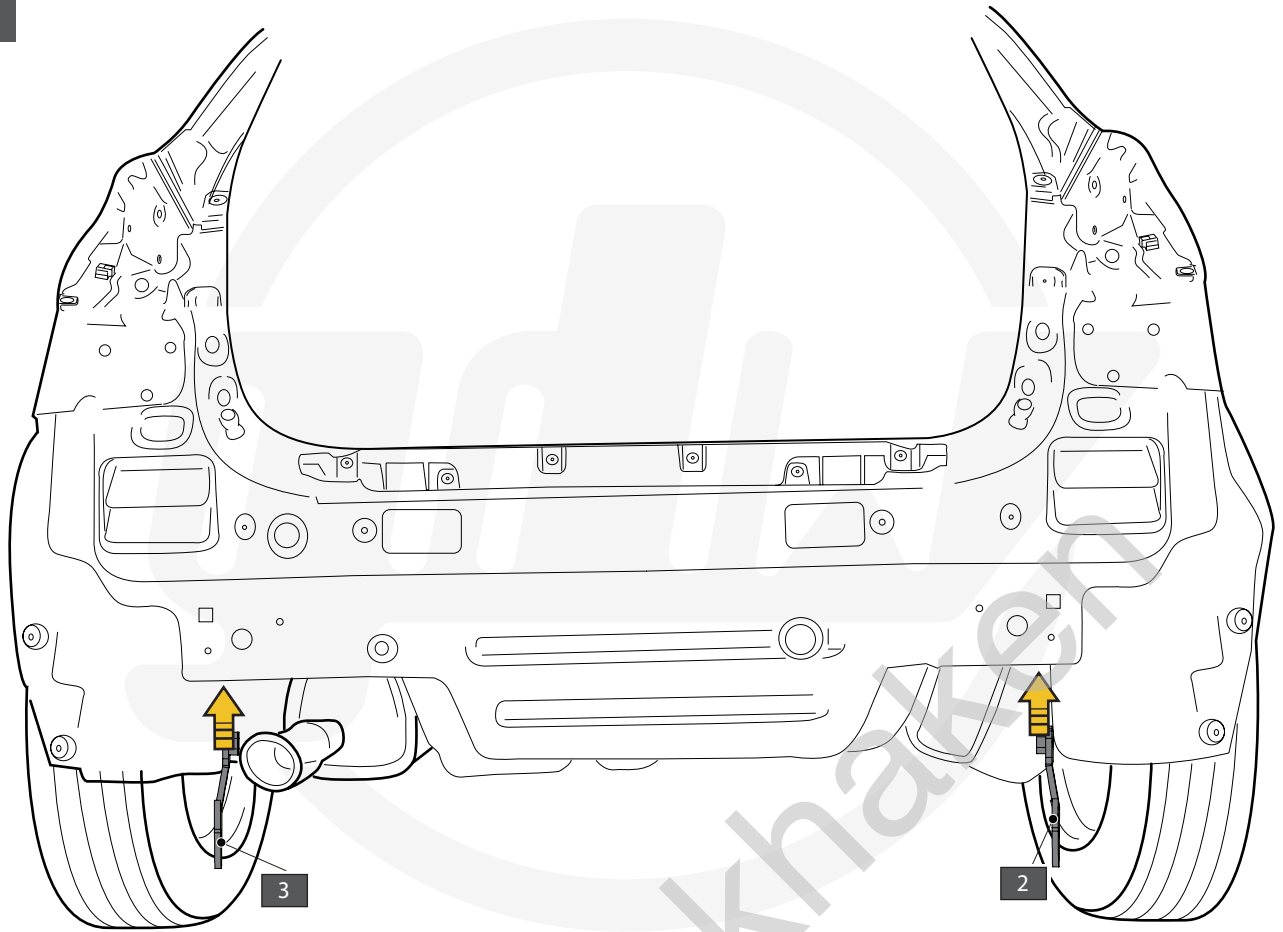


8

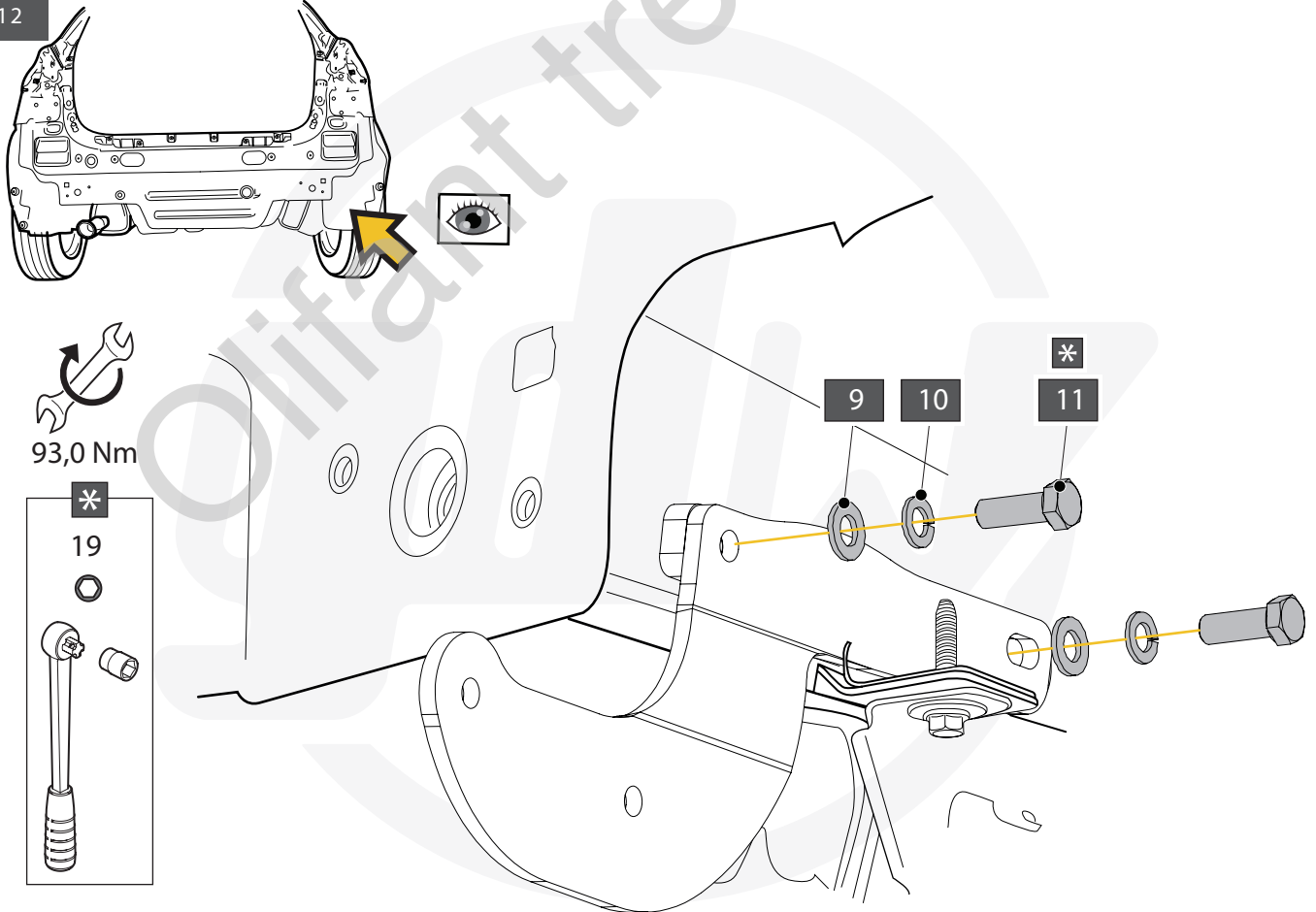




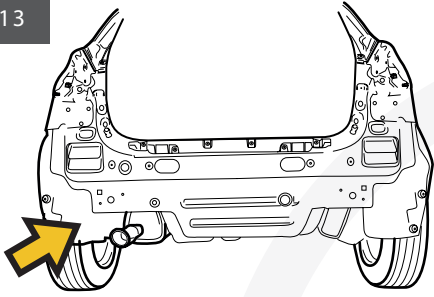
11



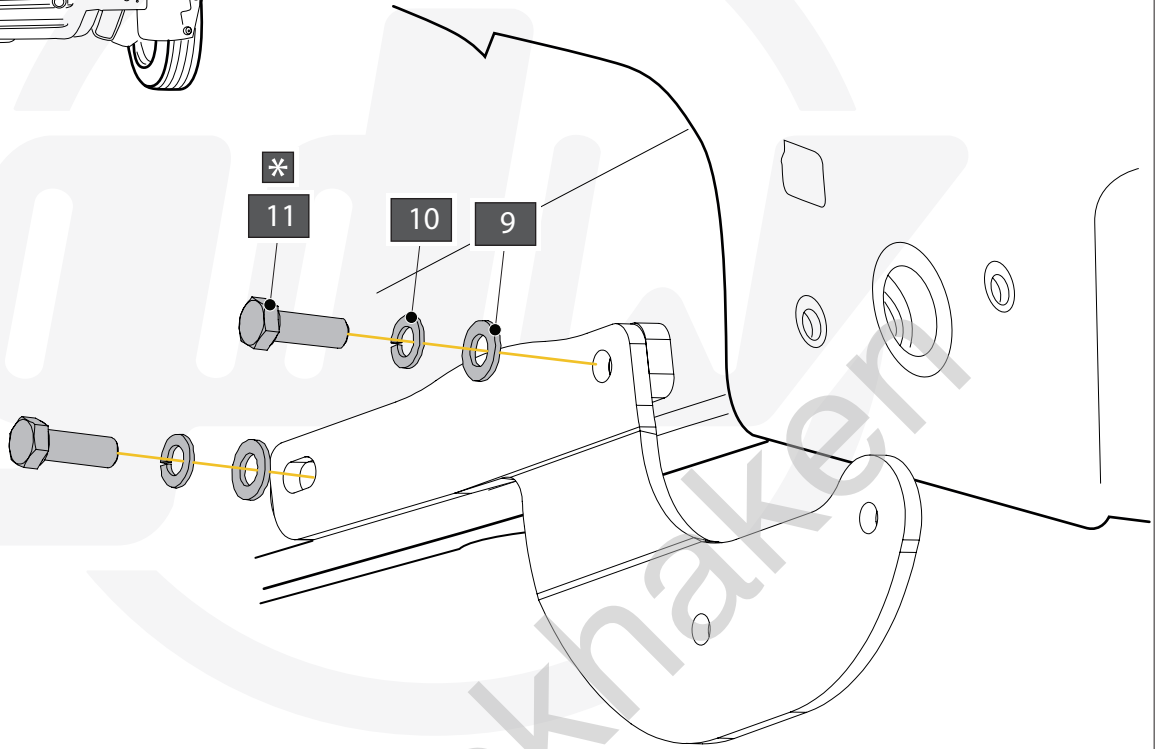
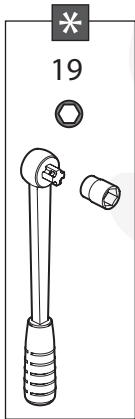
12



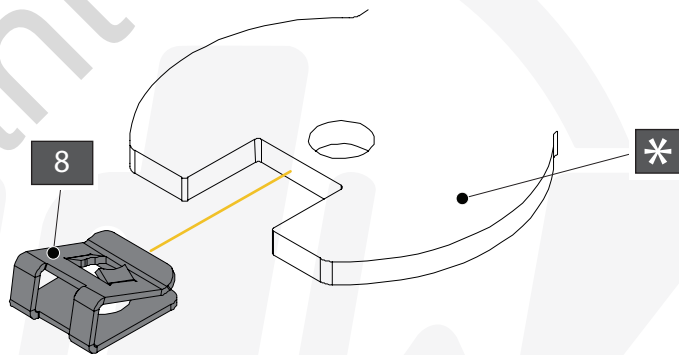
13



93,0 Nm




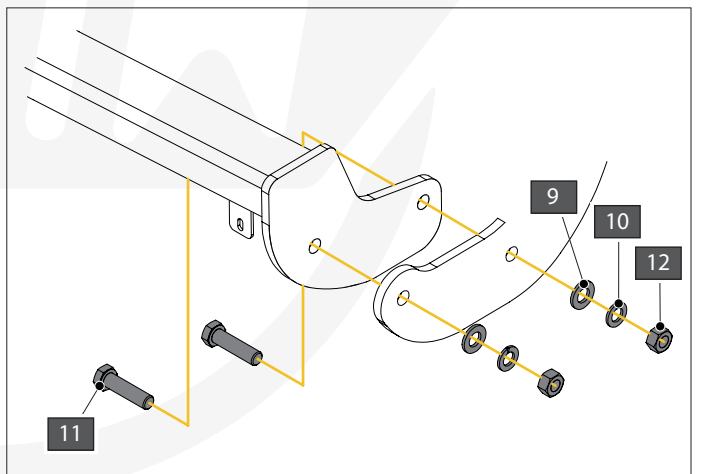
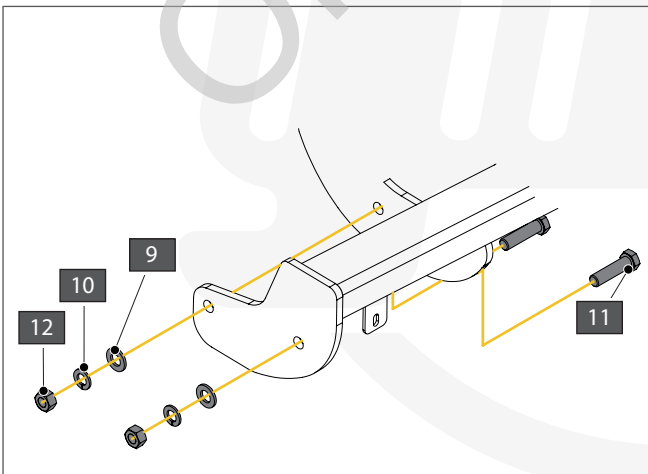
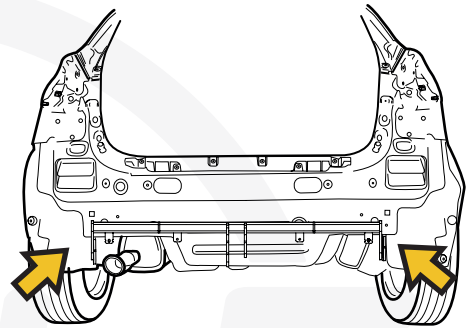
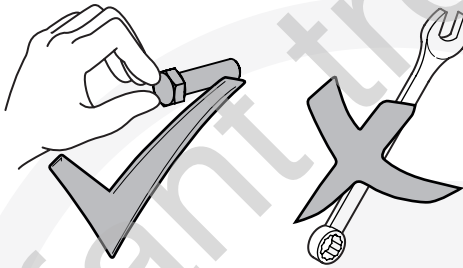
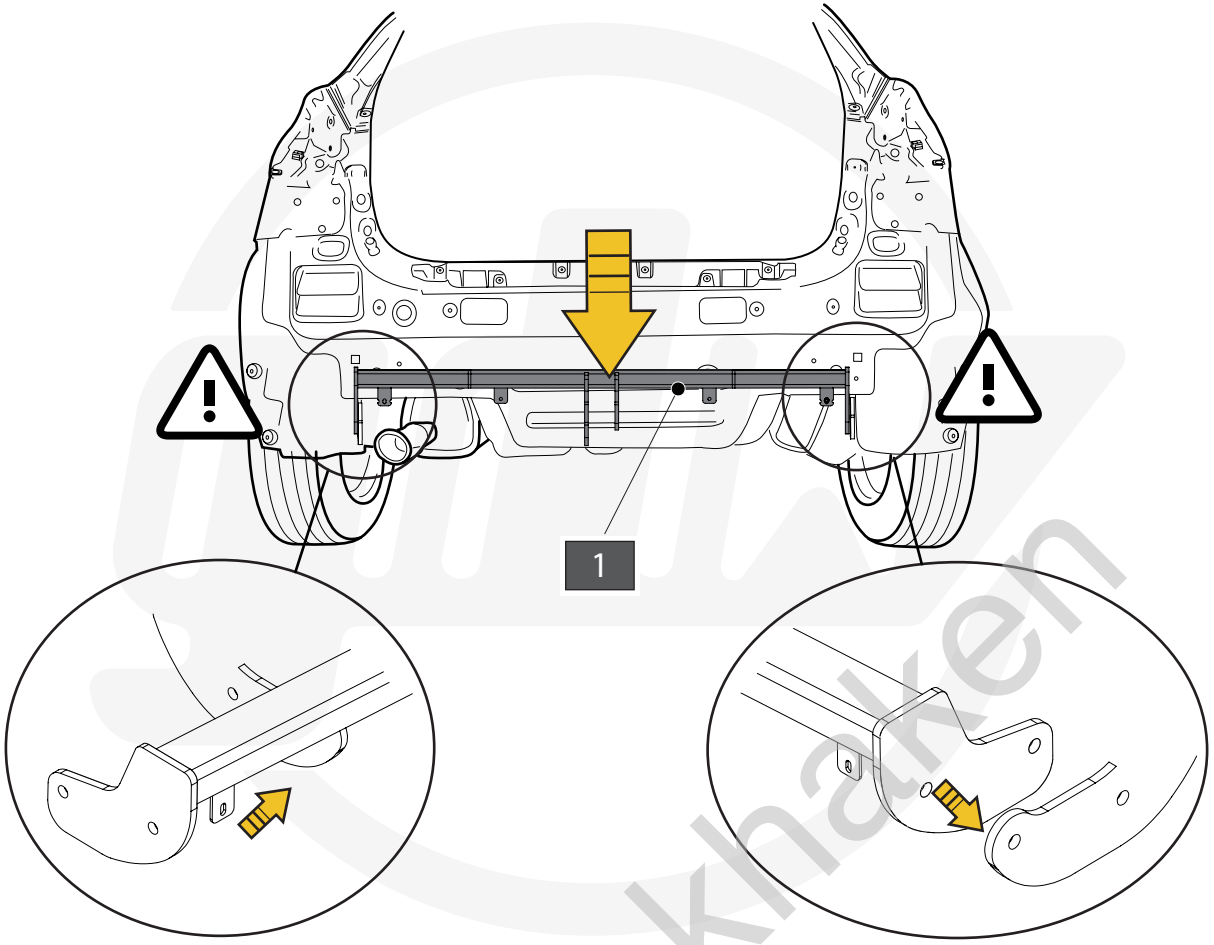
14

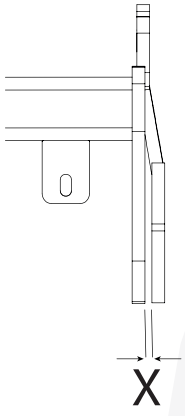


4  X2 GDW REF. 4

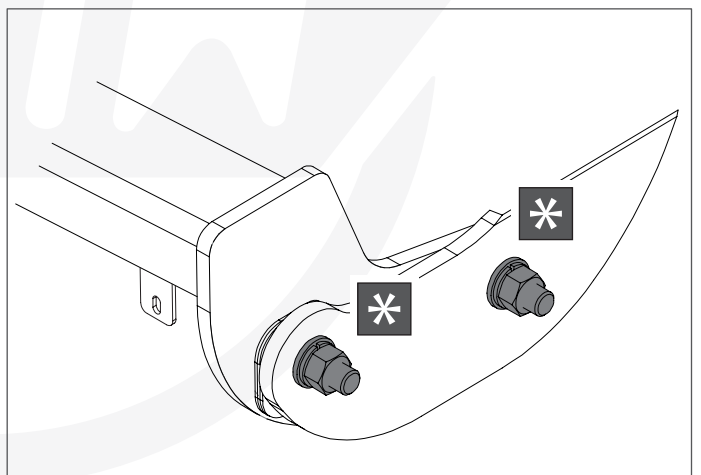
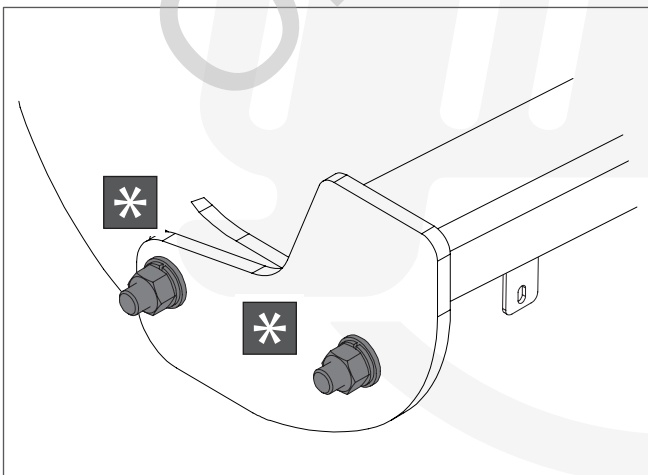
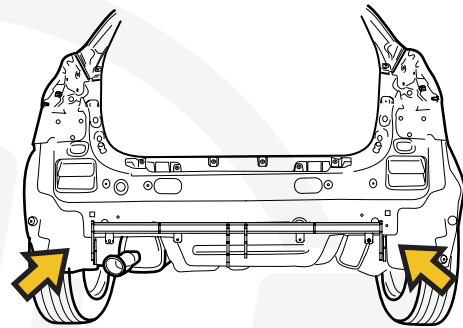
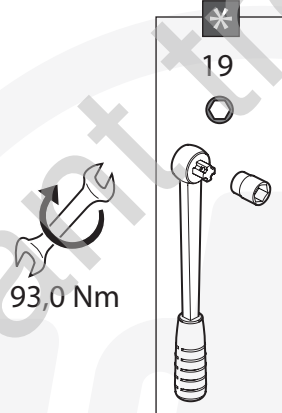
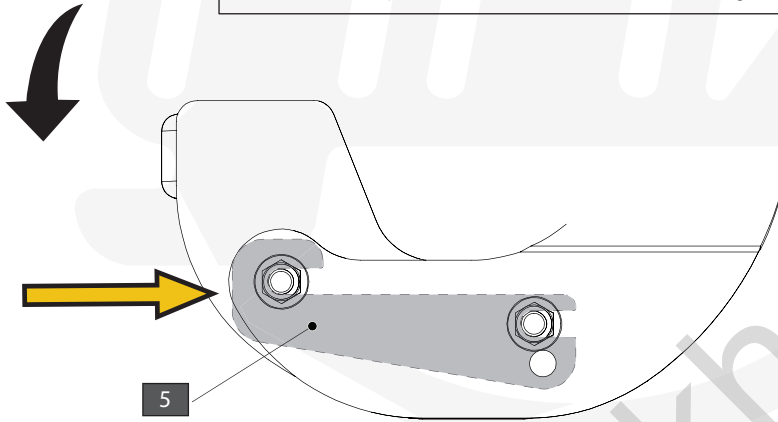
6  X1 GDW REF. 6

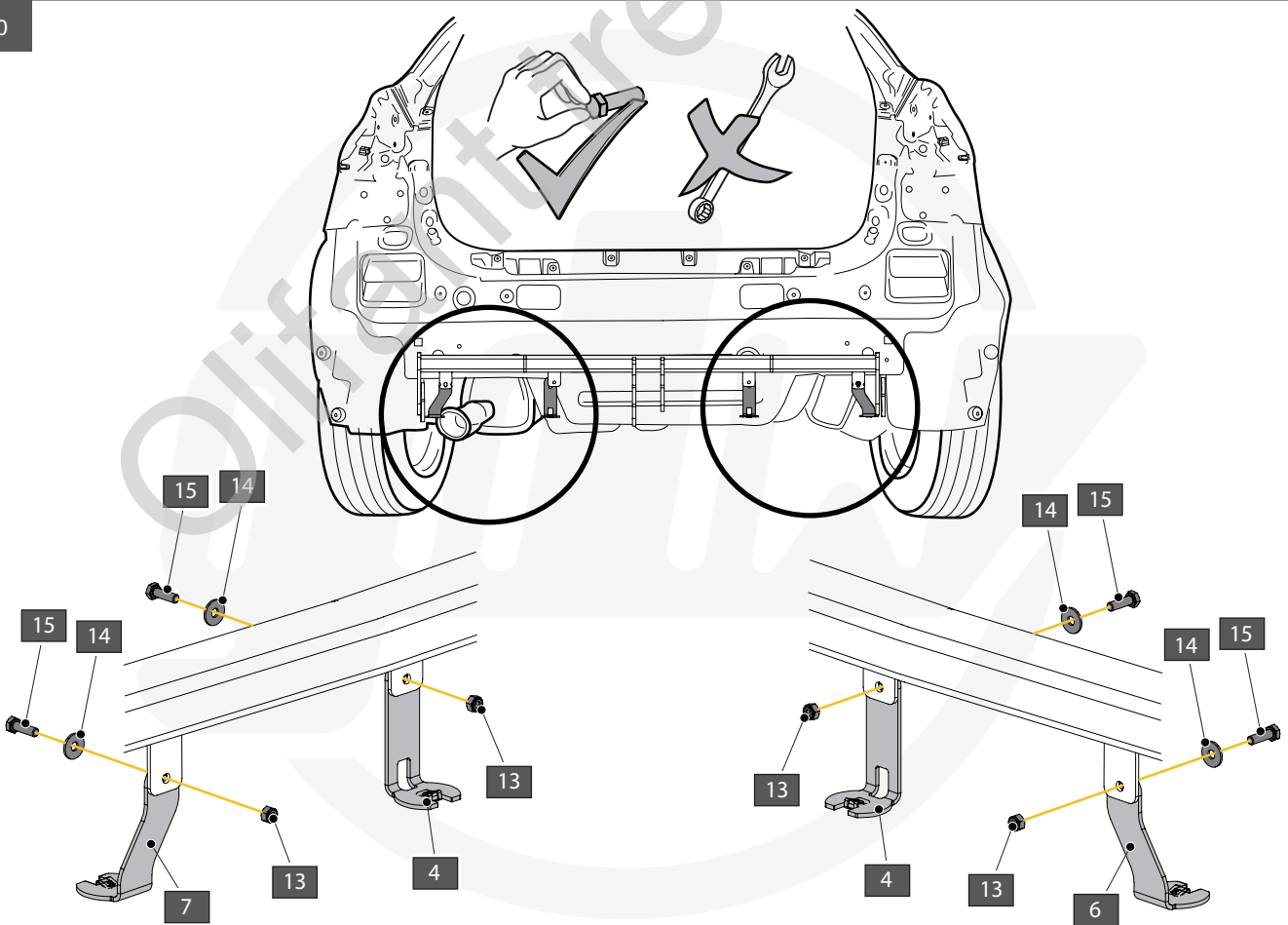
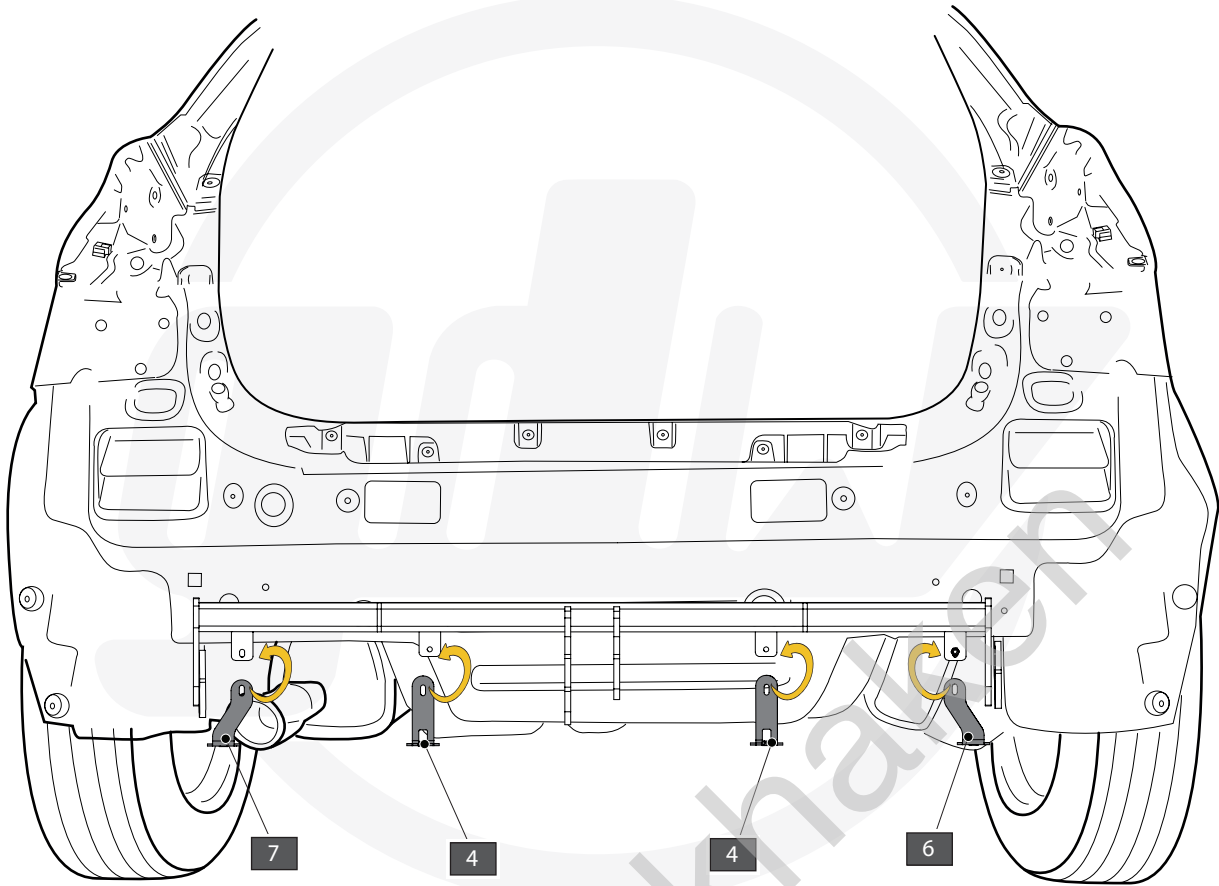
7  X1 GDW REF. 7



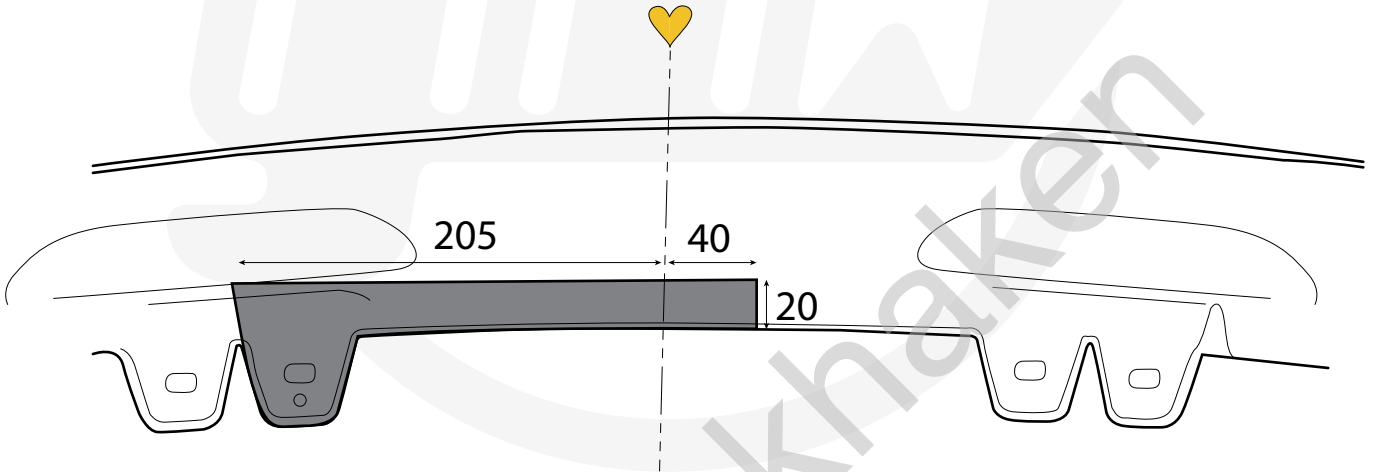
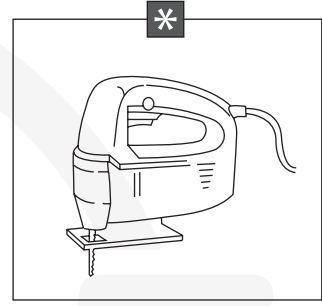
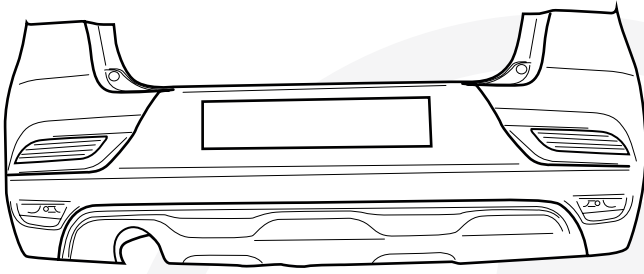


$X < 1 \text{ mm}$	$1 \leq X < 2,5 \text{ mm}$	$2,5 \leq X < 4 \text{ mm}$	$4 \leq X < 5,5 \text{ mm}$
$5,5 \leq X < 7 \text{ mm}$	$7 \leq X < 8,5 \text{ mm}$	$8,5 \leq X < 10 \text{ mm}$	

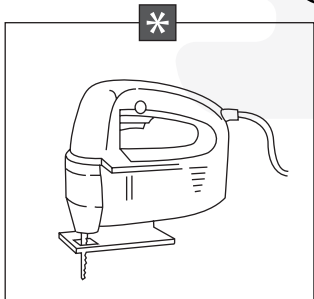
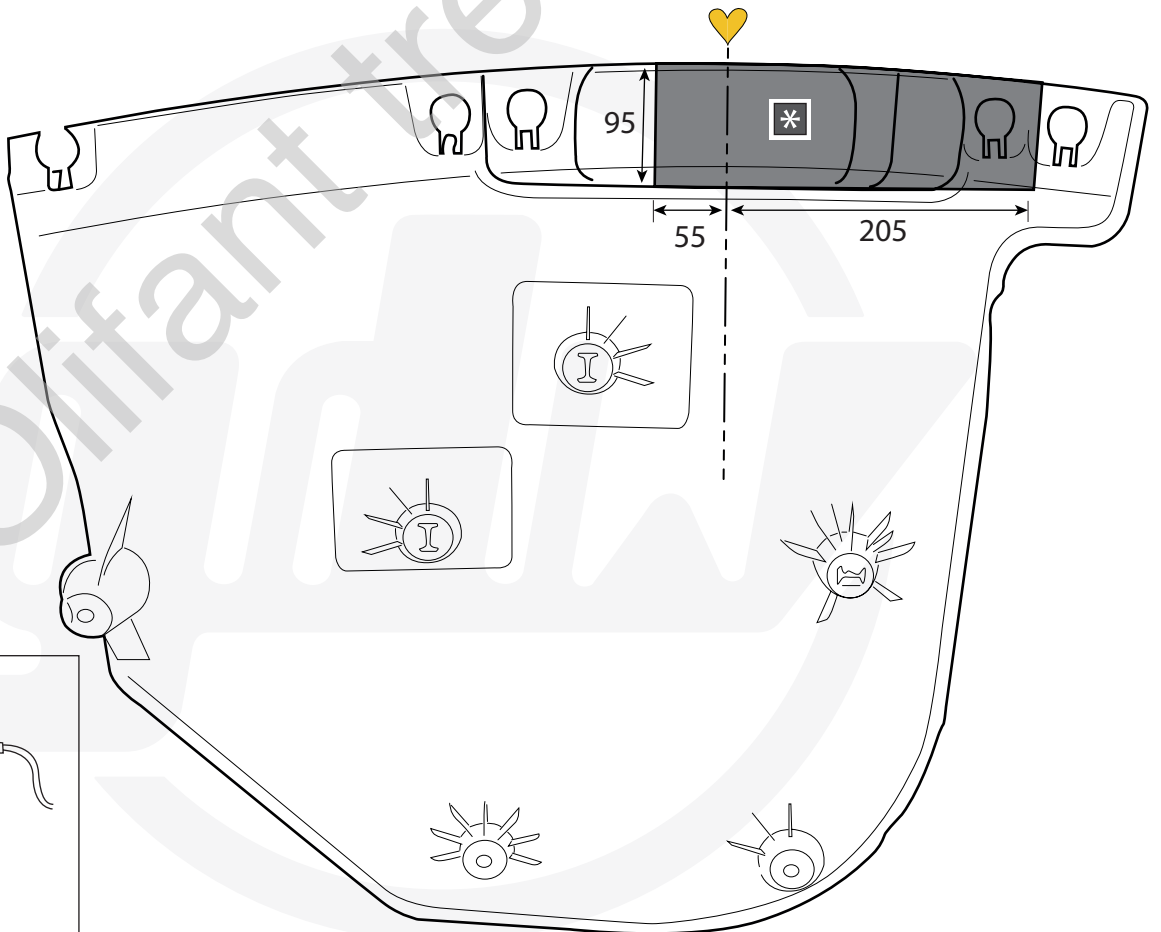




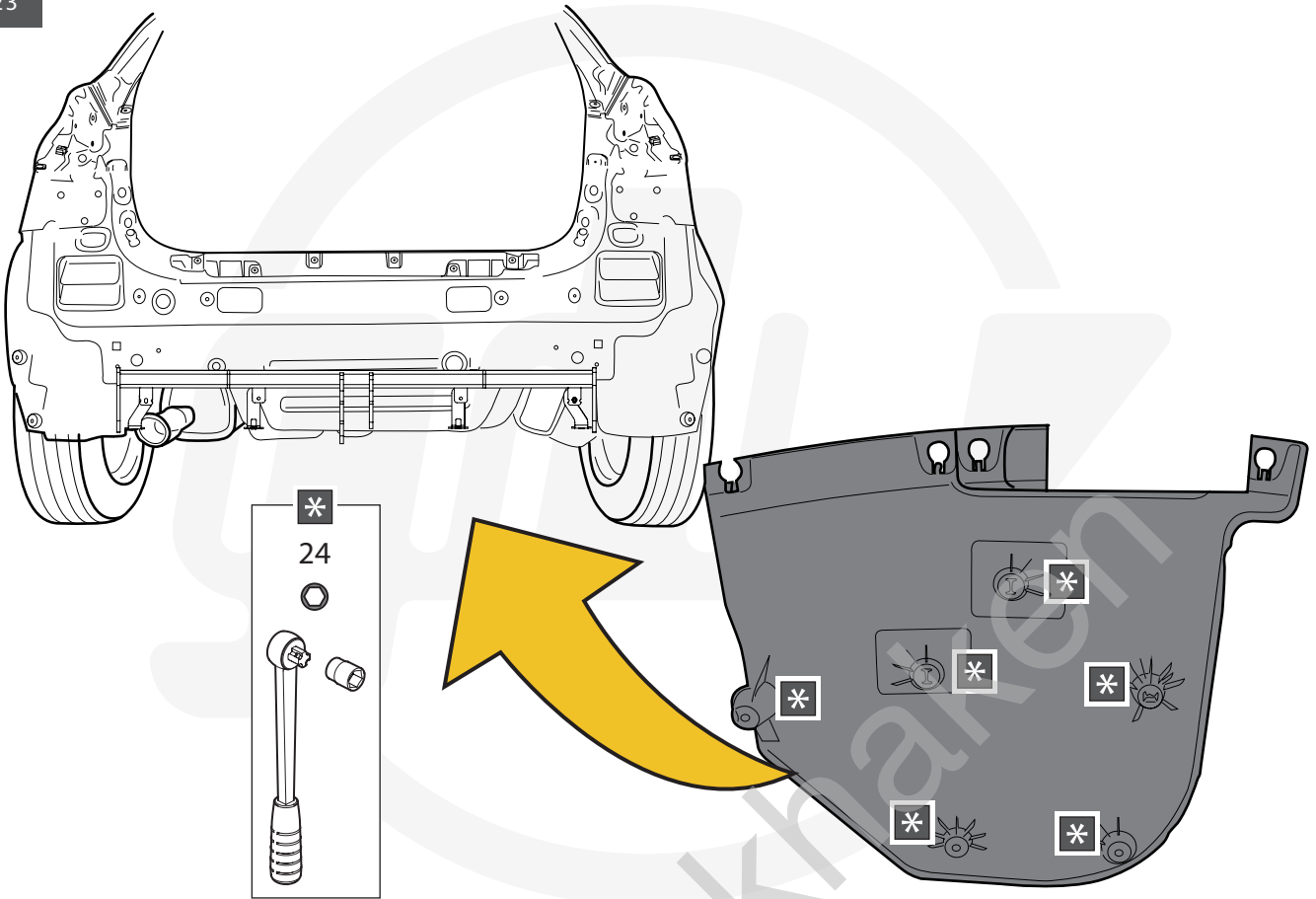
21



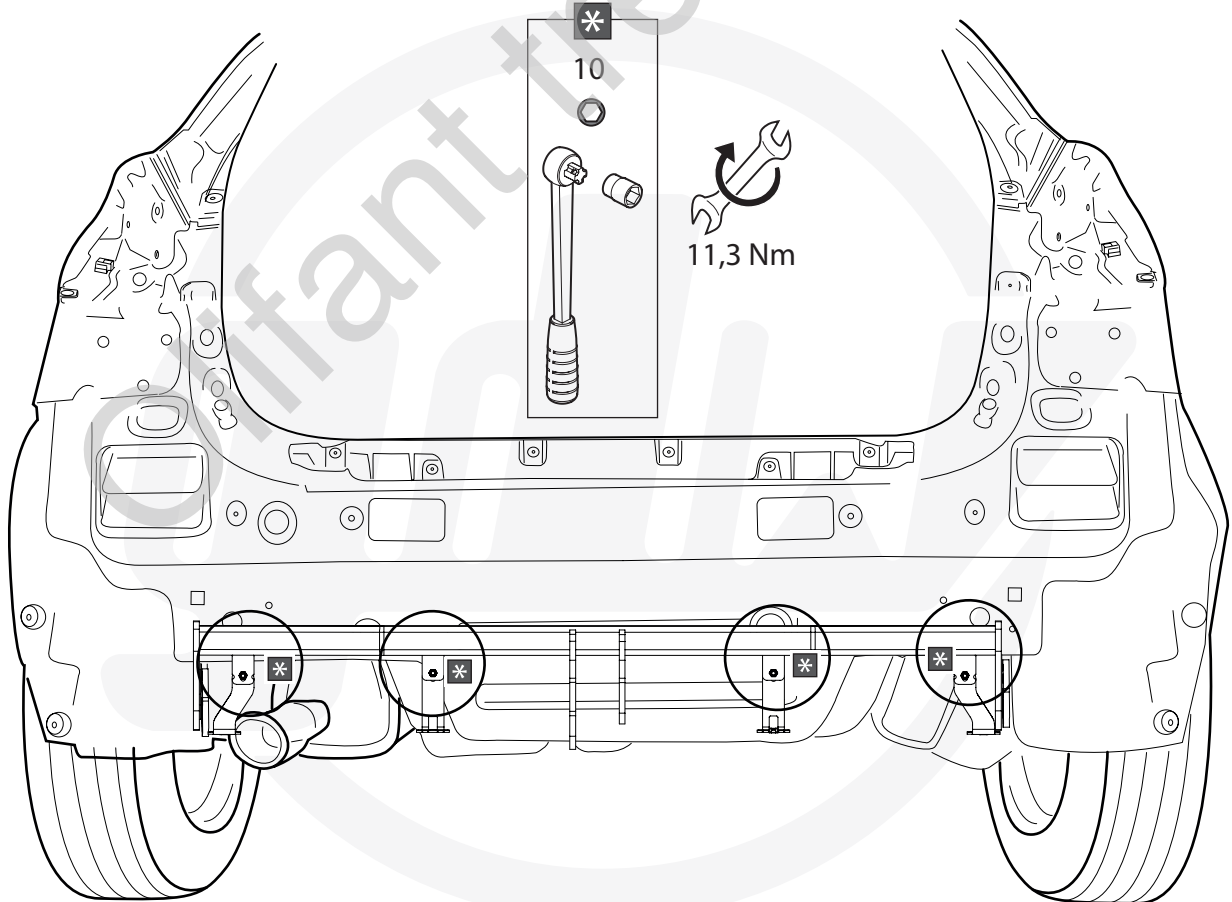
22

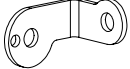




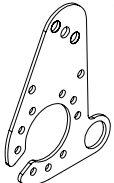
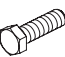



23



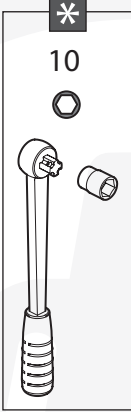
24



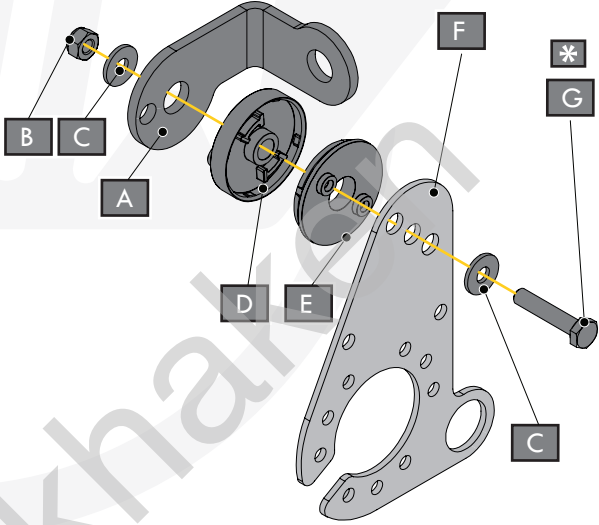
A		X1	GDW REF. 908.096
B		X1	DIN985-M6
C		X2	6,2 X 15,4 X 1,6 (NYLON)
D		X1	GDW REF. 718.16.002
E		X1	GDW REF. 718.16.003
F		X1	GDW REF. 908.094
G		X1	DIN933-M6 X 30

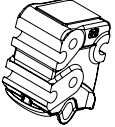







2,0 Nm



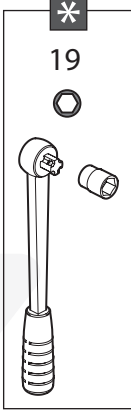
*
10



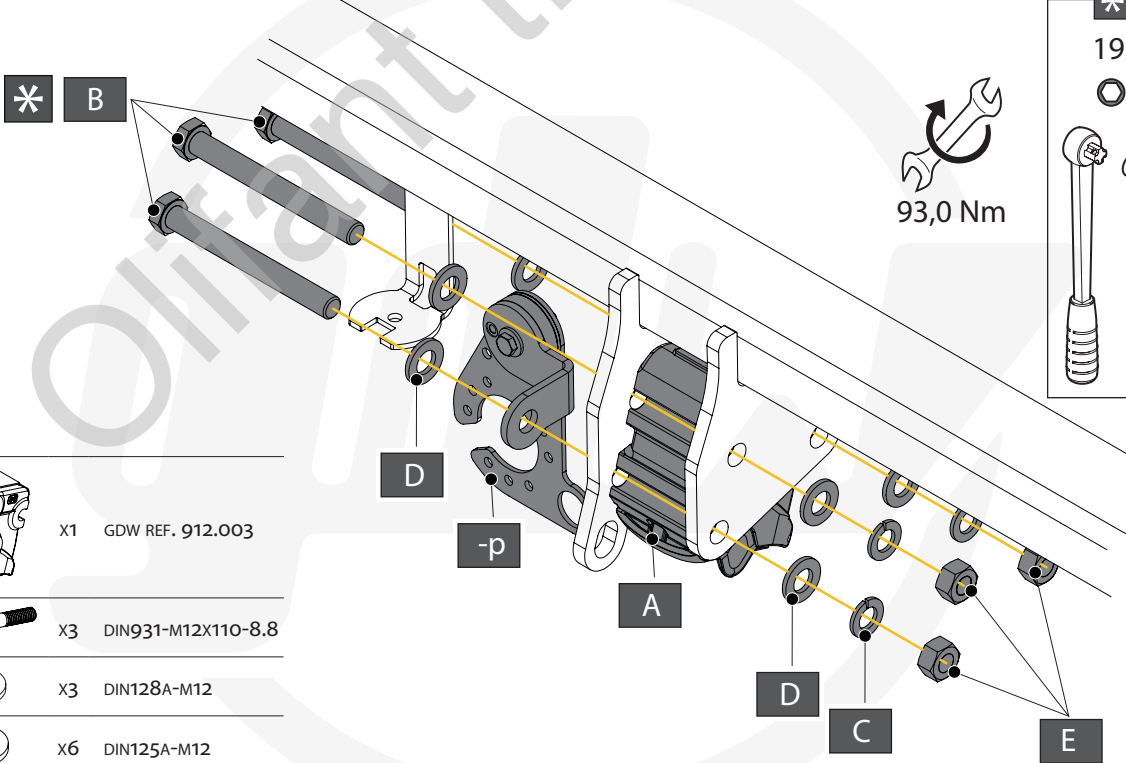
A		X1	GDW REF. 912.003
B		X3	DIN931-M12X110-8.8
C		X3	DIN128A-M12
D		X6	DIN125A-M12
E		X3	DIN934-M12

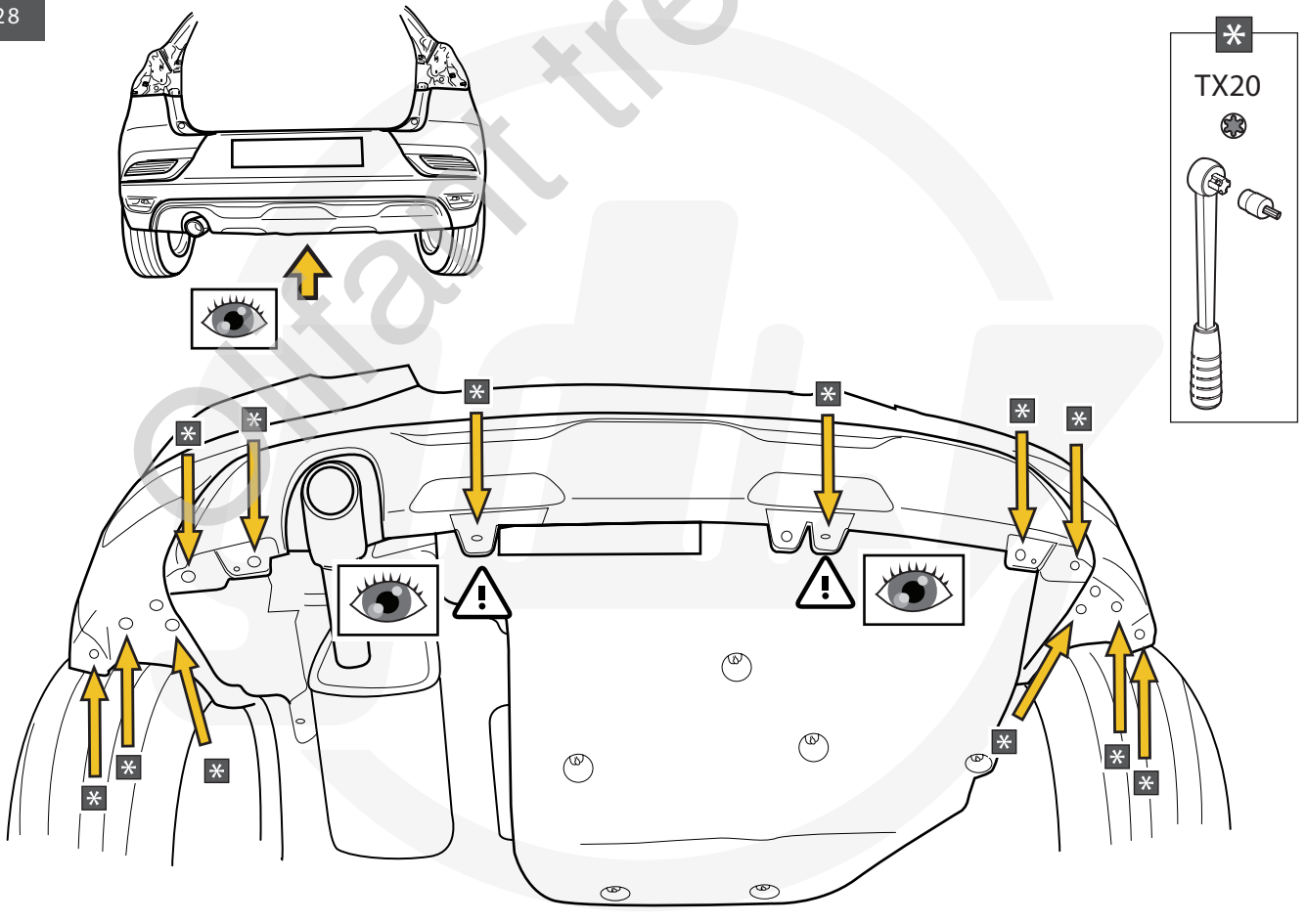
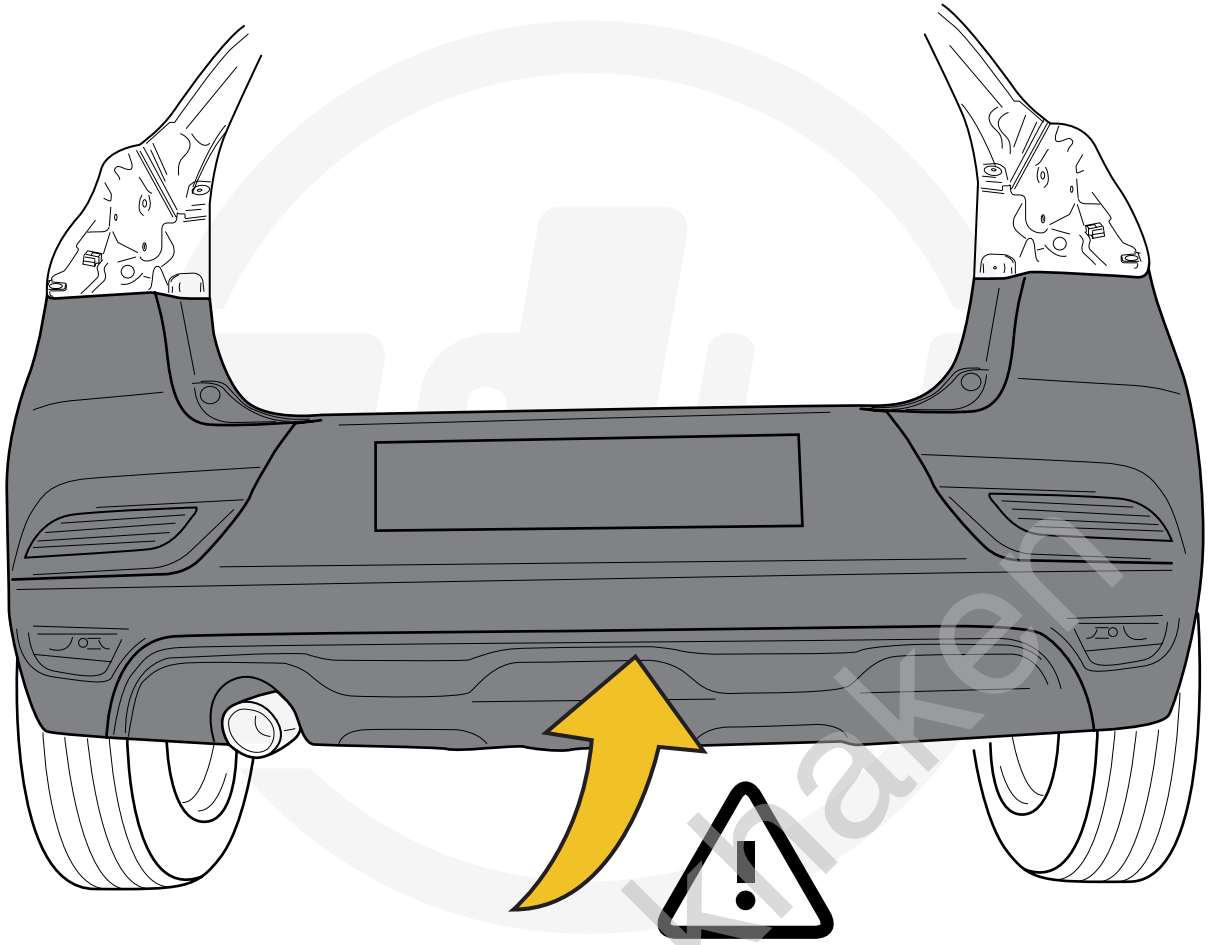


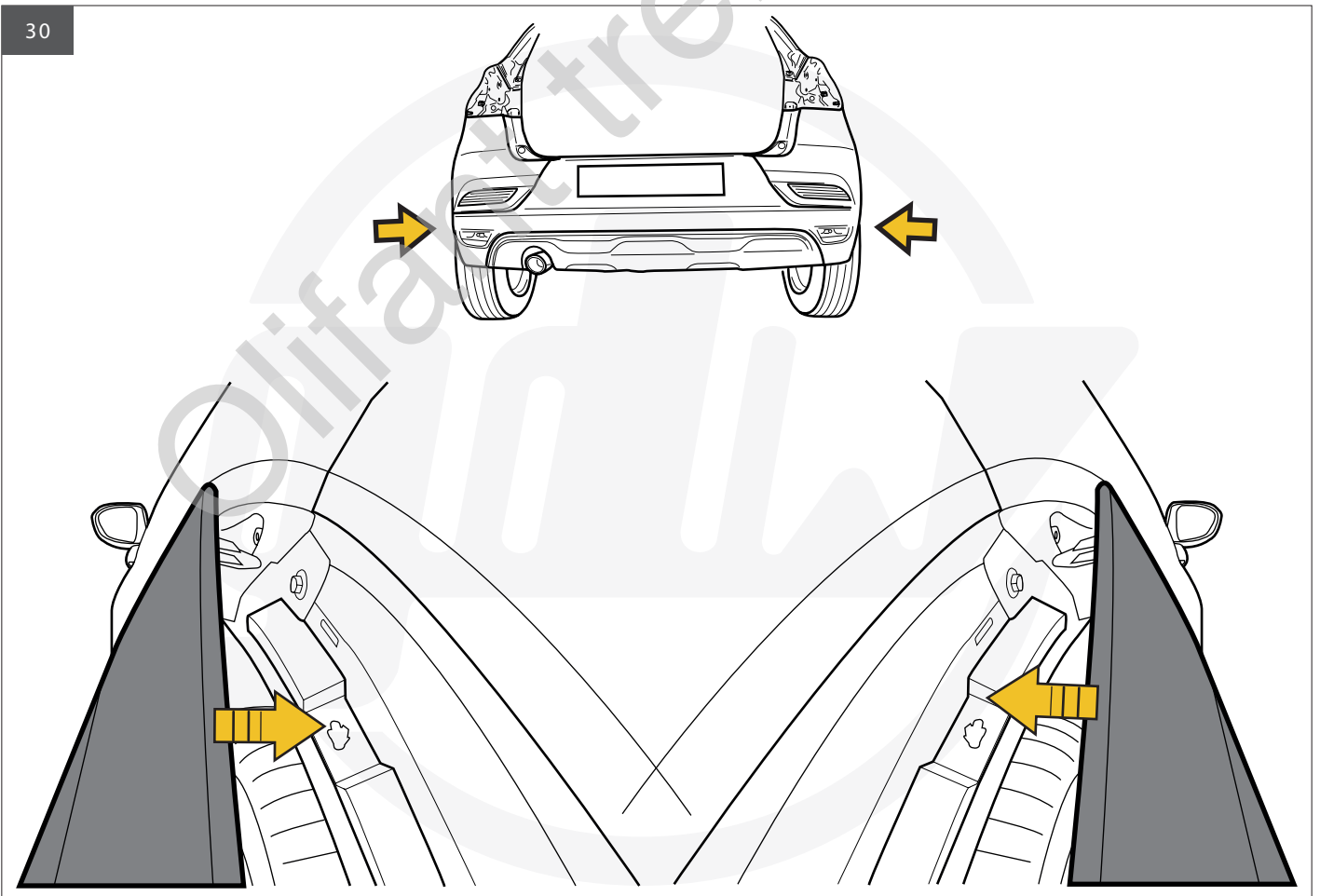
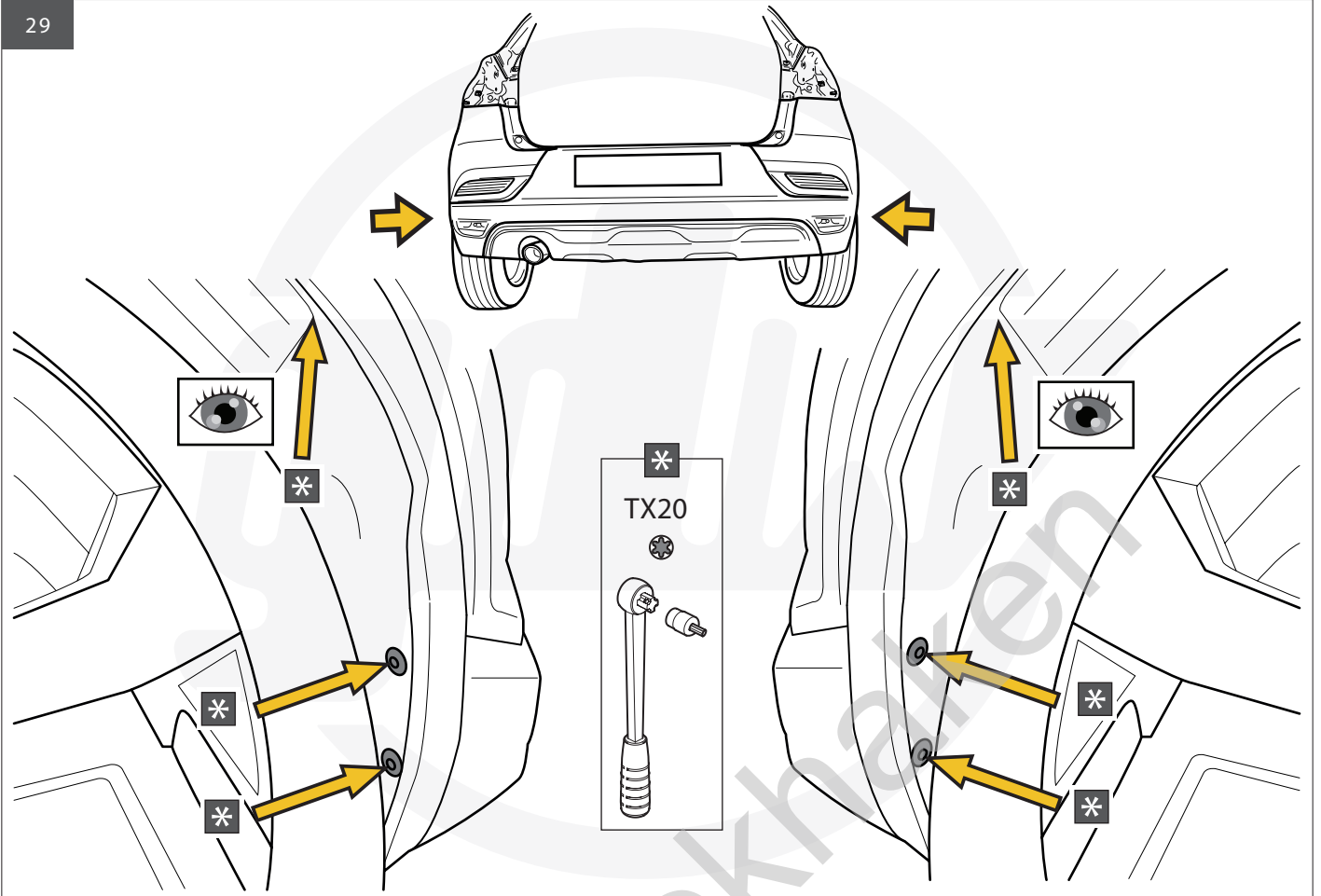
93,0 Nm

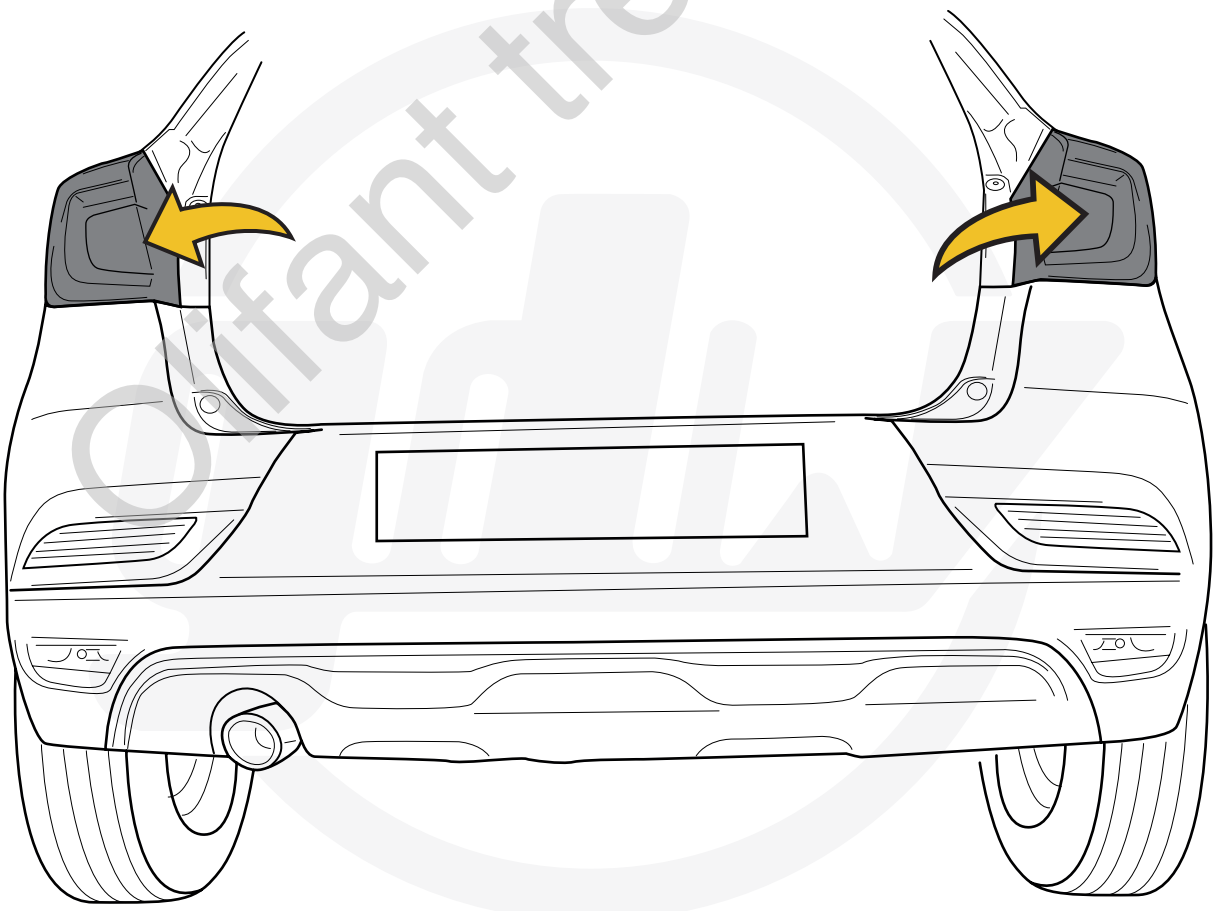
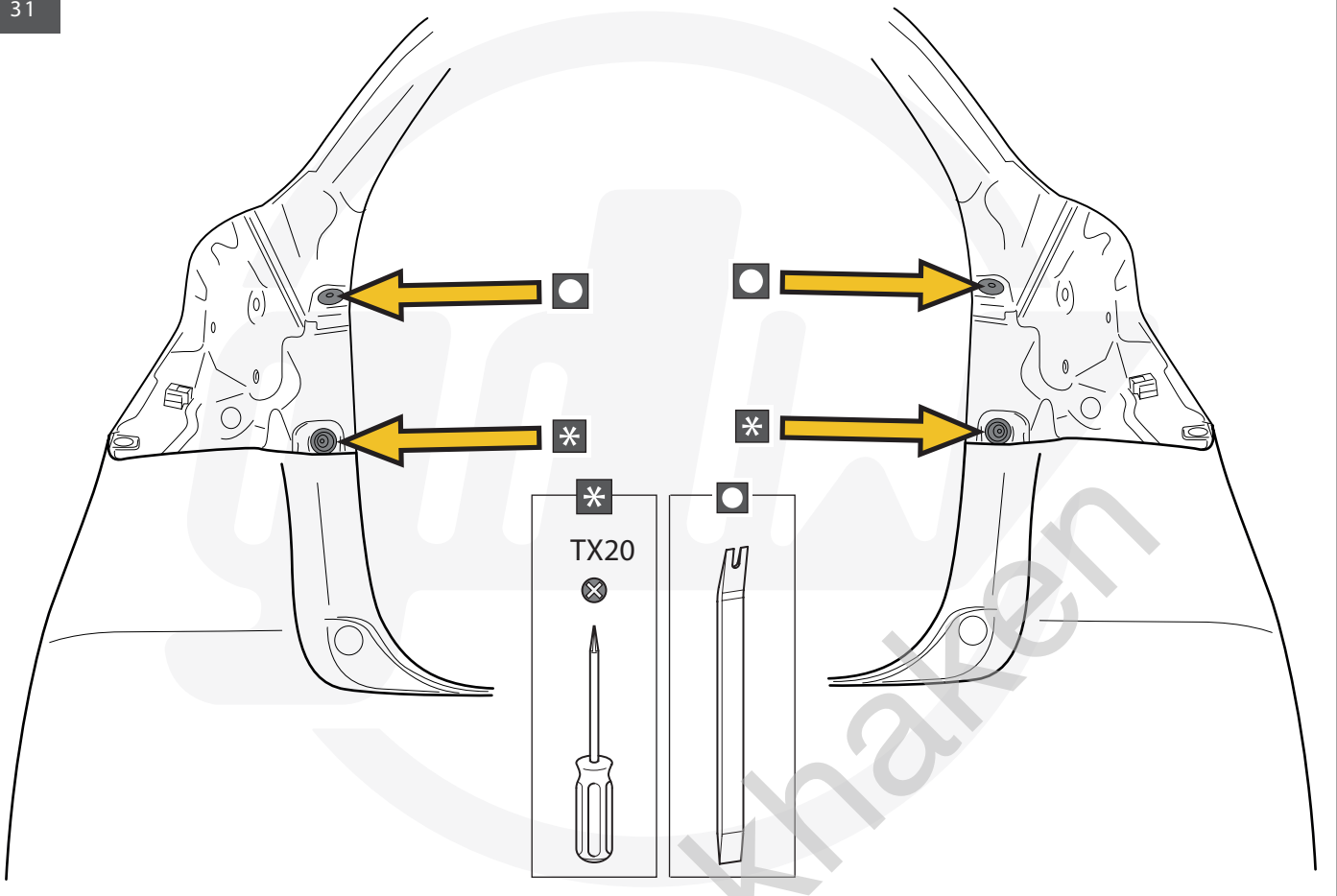


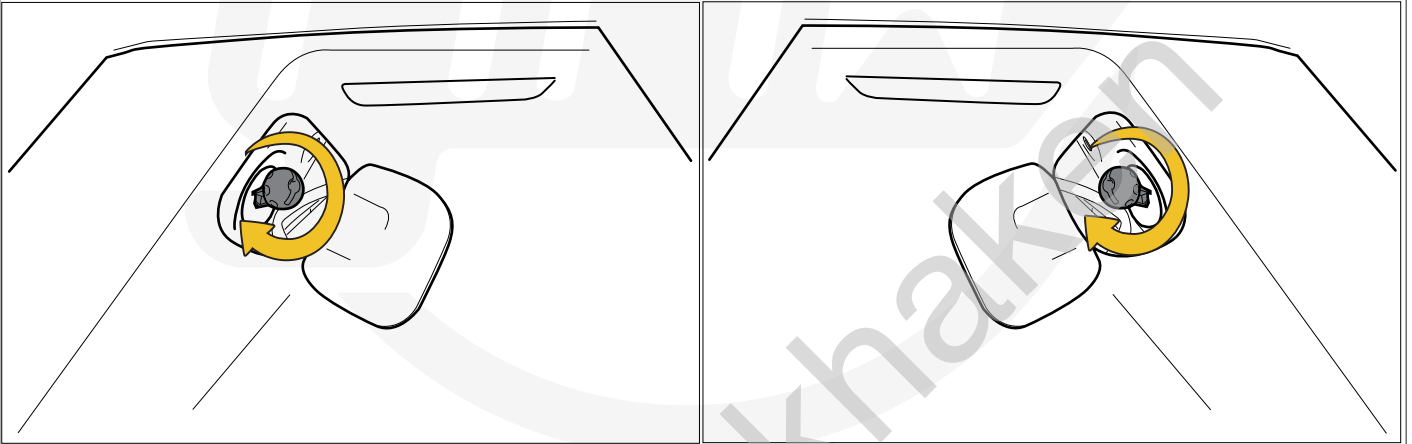
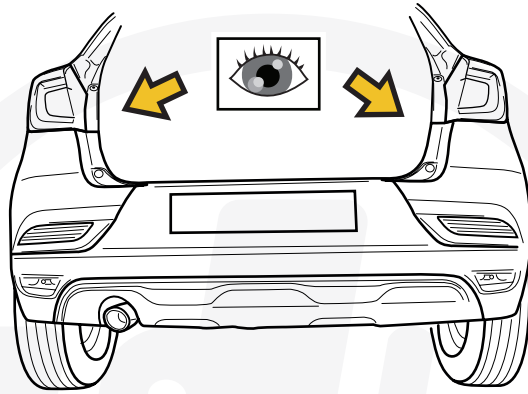
*
19











Olifant trekhak.com