

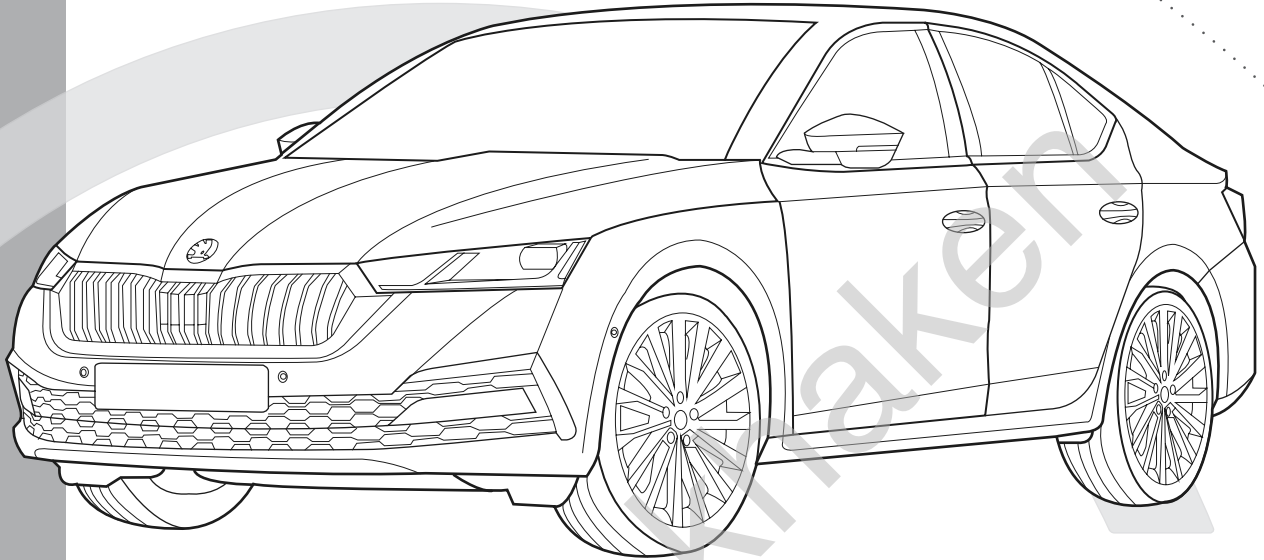


TREKHAKEN • ATTELAGES • ANHÄNGERVORRICHTUNGEN • TOWBARS • ENHANCES • ANHÆNGERTRÆK

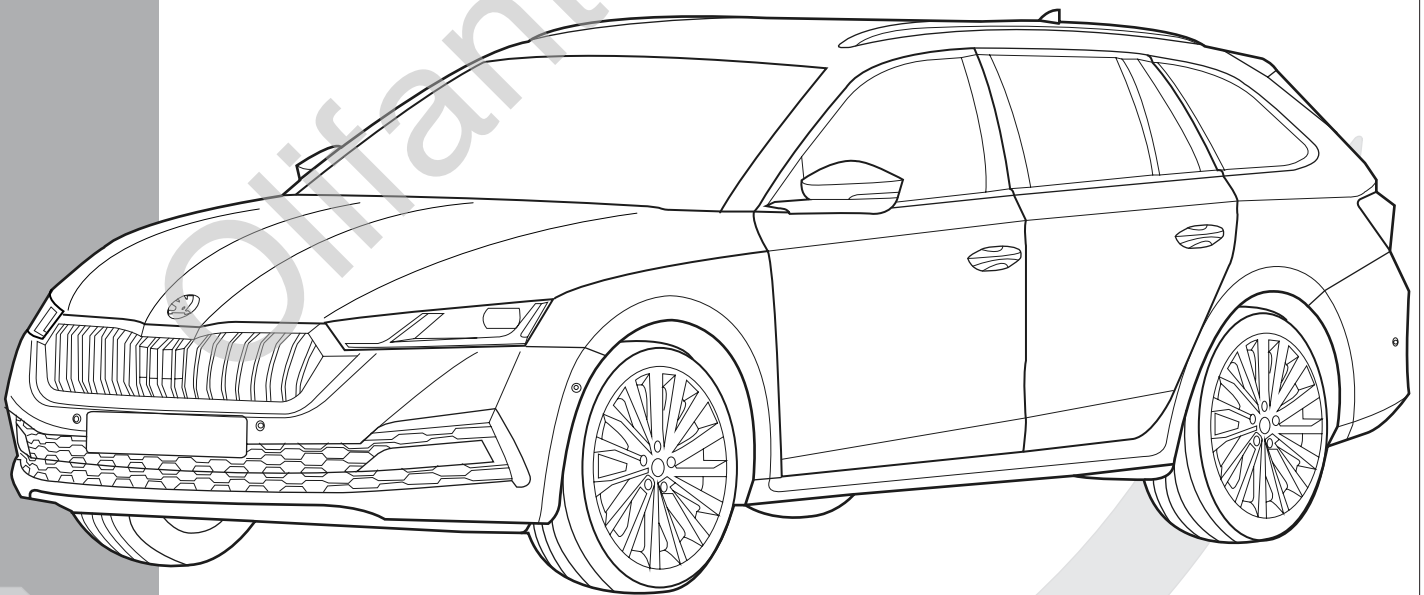
Montagehandleiding | instructions de montage | Einbauanleitung | Mounting instruction
Instrucciones de montaje | monteringsvejledning



Skoda Octavia IV (type NX3) 01/'20-



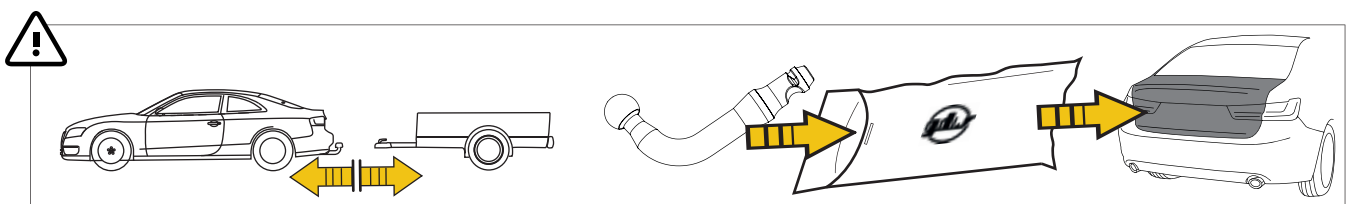
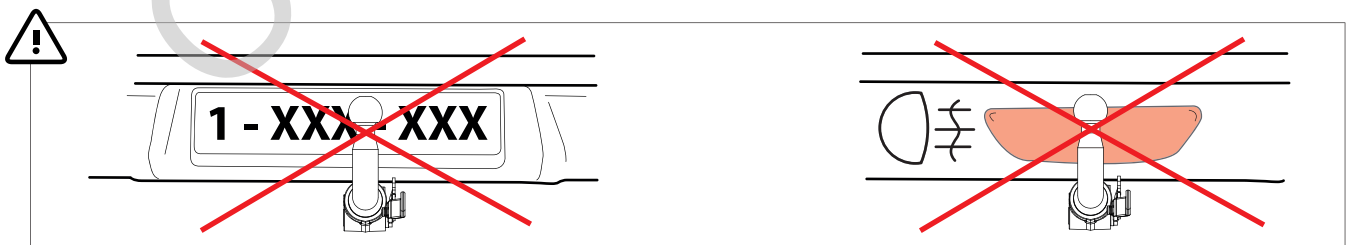
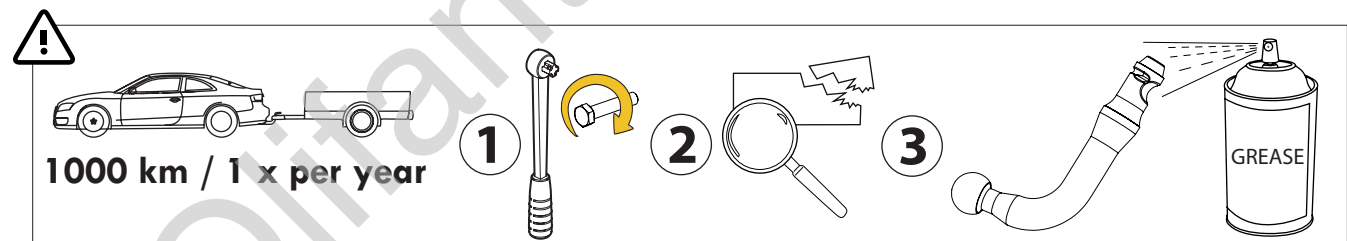
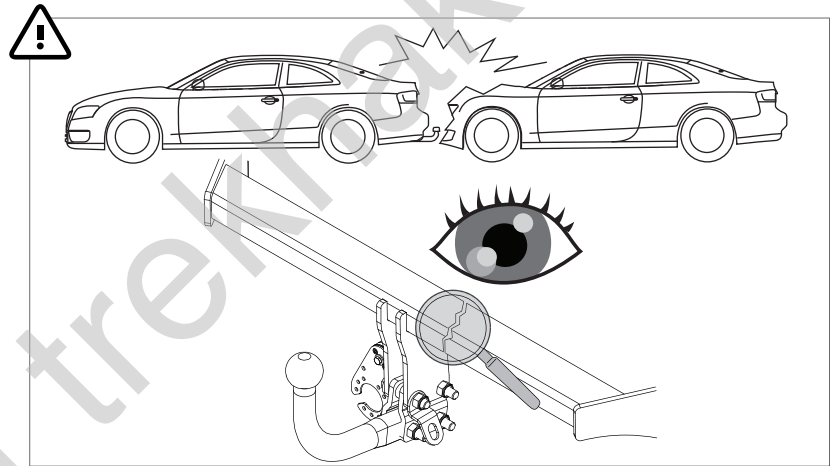
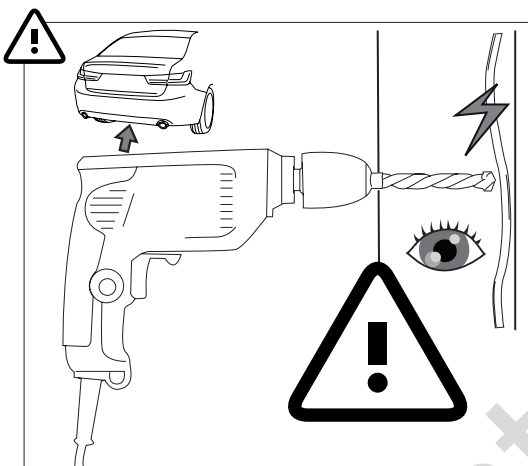
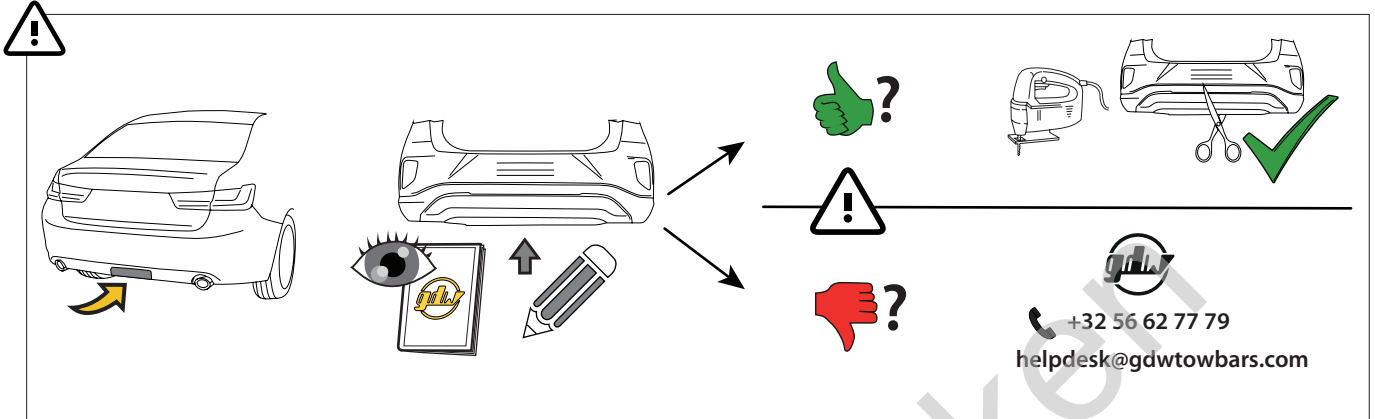
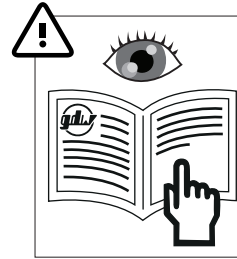
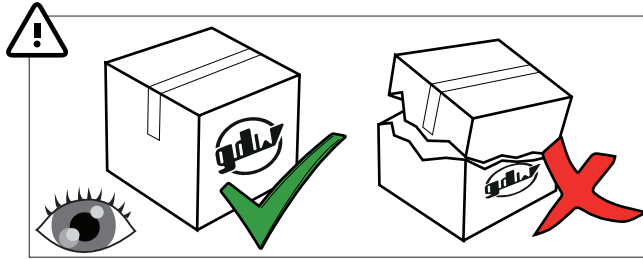
Skoda Octavia IV Combi (type NX5) 11/'19-




Gdw nv. Hoogmolenwegel 23 | B | 8790 Waregem | T +32 (0)56 60 42 12 | F +32 (0)56 60 01 93 | gdw@gdwtowbars.com | www.gdwtowbars.com

REVISIENUMMER 000 | N° REVISION 000 04•09•2020

2494T60


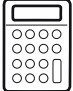


MADE BY  **D 10,00** **F** **E6**

BELGIUM **S 95** **55R-011620**

REF N° **2494T60** **SERIAL N° XXXX**

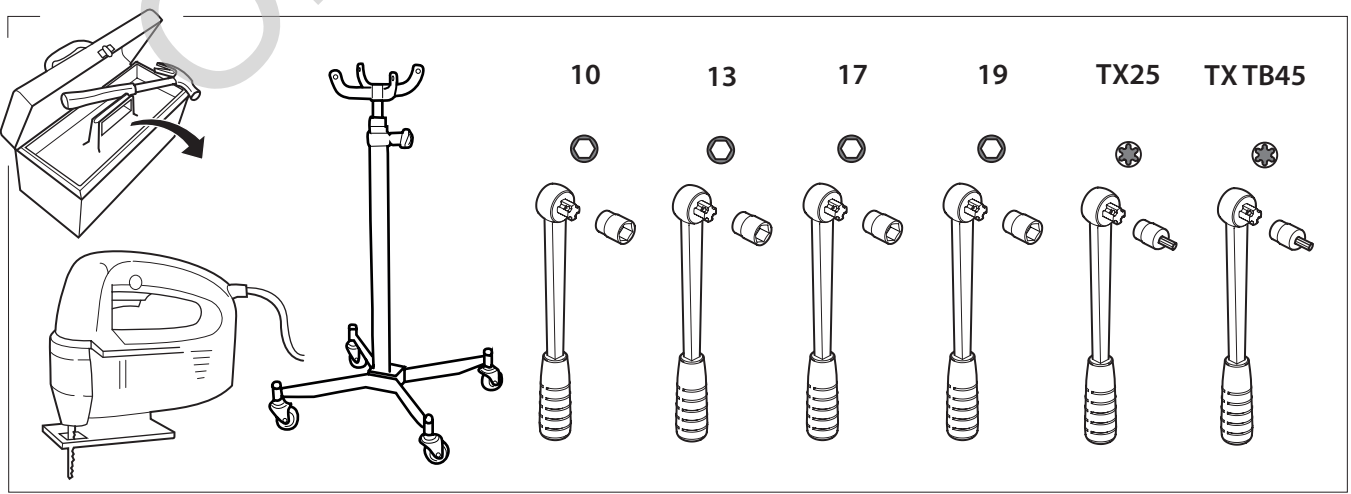
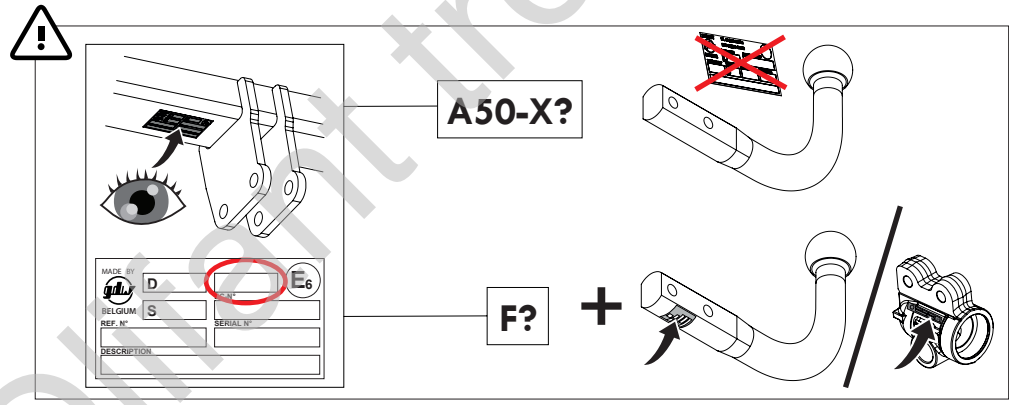
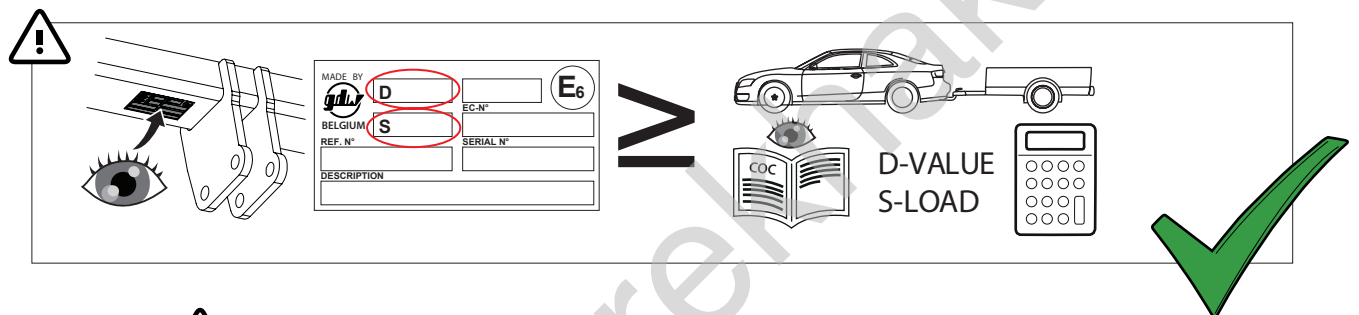
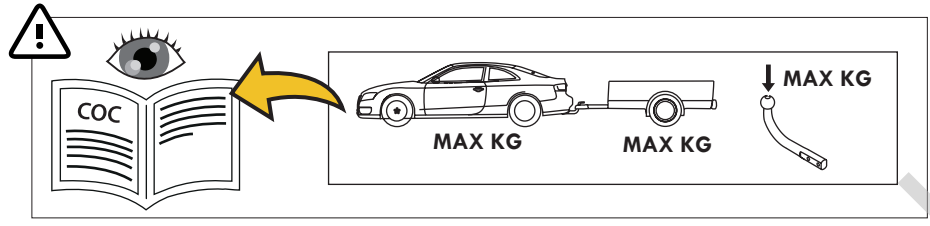
DESCRIPTION
Skoda Octavia IV 01/'20- &
Skoda Octavia IV Combi 11/'19-

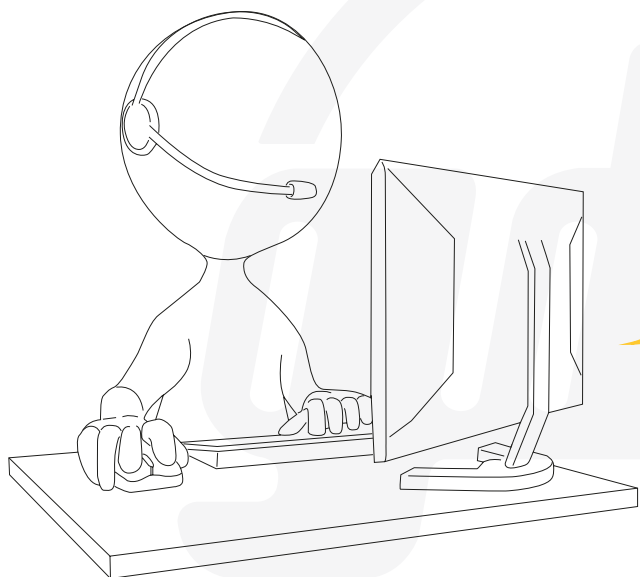
 

$$D = \frac{\text{max kg (car)} \times \text{max kg (trailer)}}{\text{max kg (car)} + \text{max kg (trailer)}} \times 0.00981 \leq 10,00 \text{ kN}$$

$$S = \begin{cases} \leq 95 \text{ kg} \\ \leq 2000 \text{ kg} \end{cases}$$

See the Certificate Of Conformity (COC) of your vehicle or contact your dealer to verify the max. trailer weight of your car!

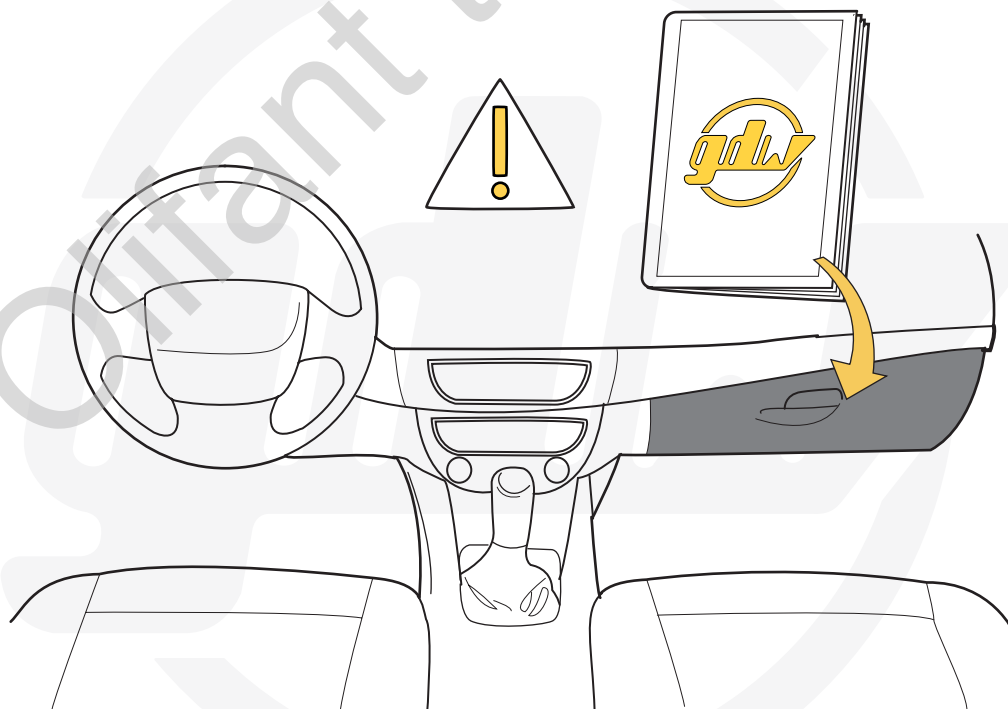


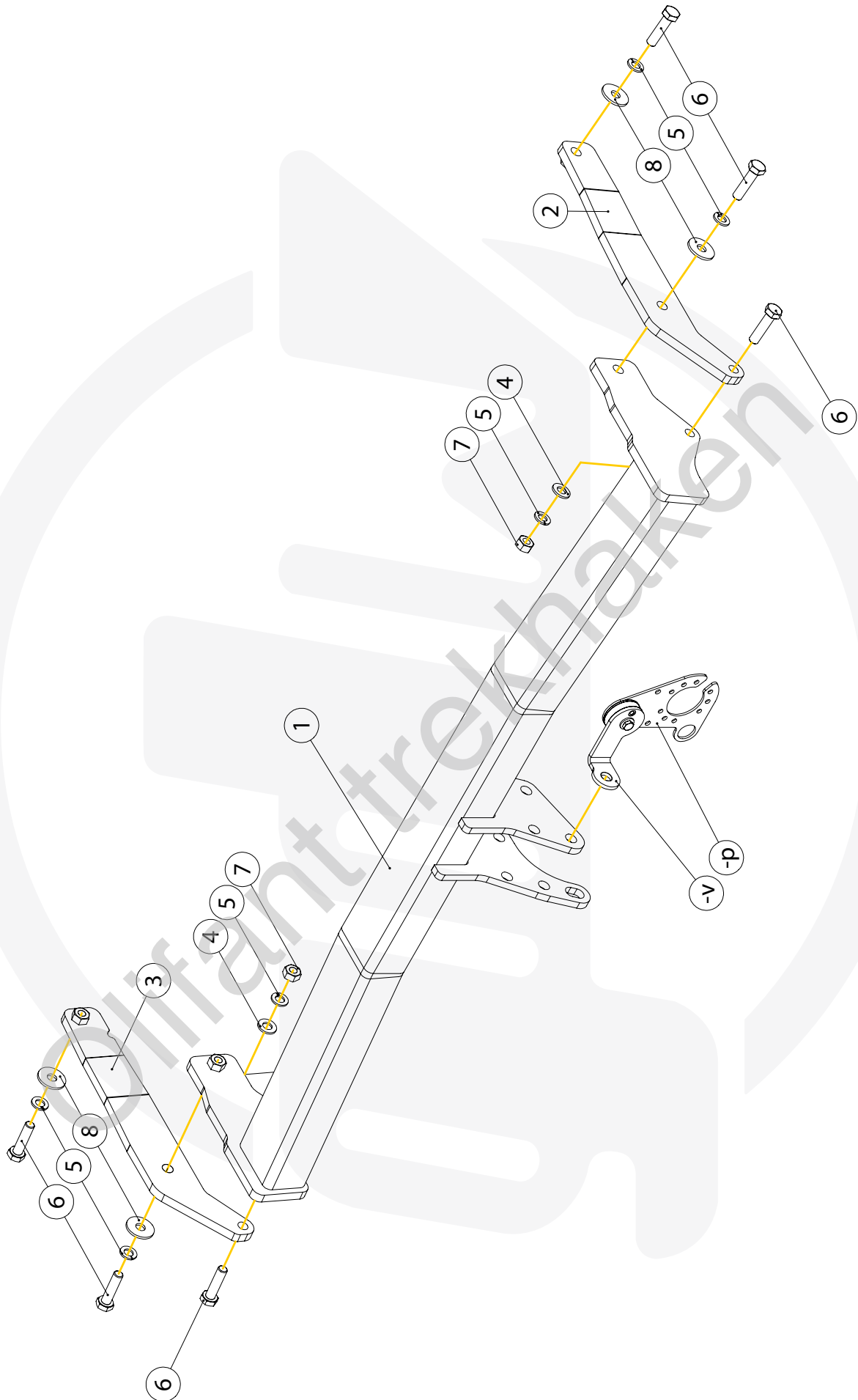


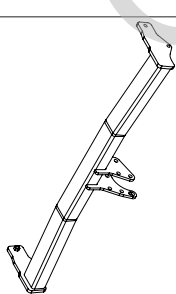
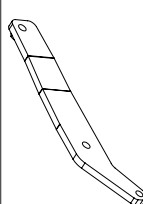
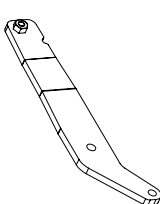




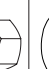
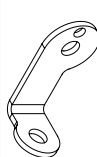
helpdesk@gdwtowbars.com

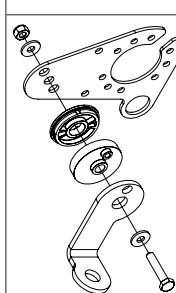
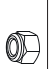



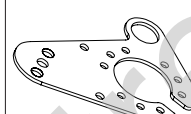


+32 56 62 77 79

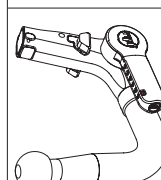
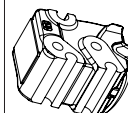
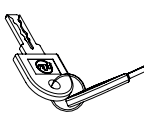

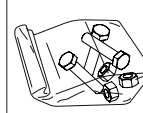
Monday	08:00 - 12:00	12:30 - 16:30
Tuesday	08:00 - 12:00	12:30 - 16:30
Wednesday	08:00 - 12:00	12:30 - 16:30
Thursday	08:00 - 12:00	12:30 - 16:30
Friday	08:00 - 12:00	12:30 - 15:30



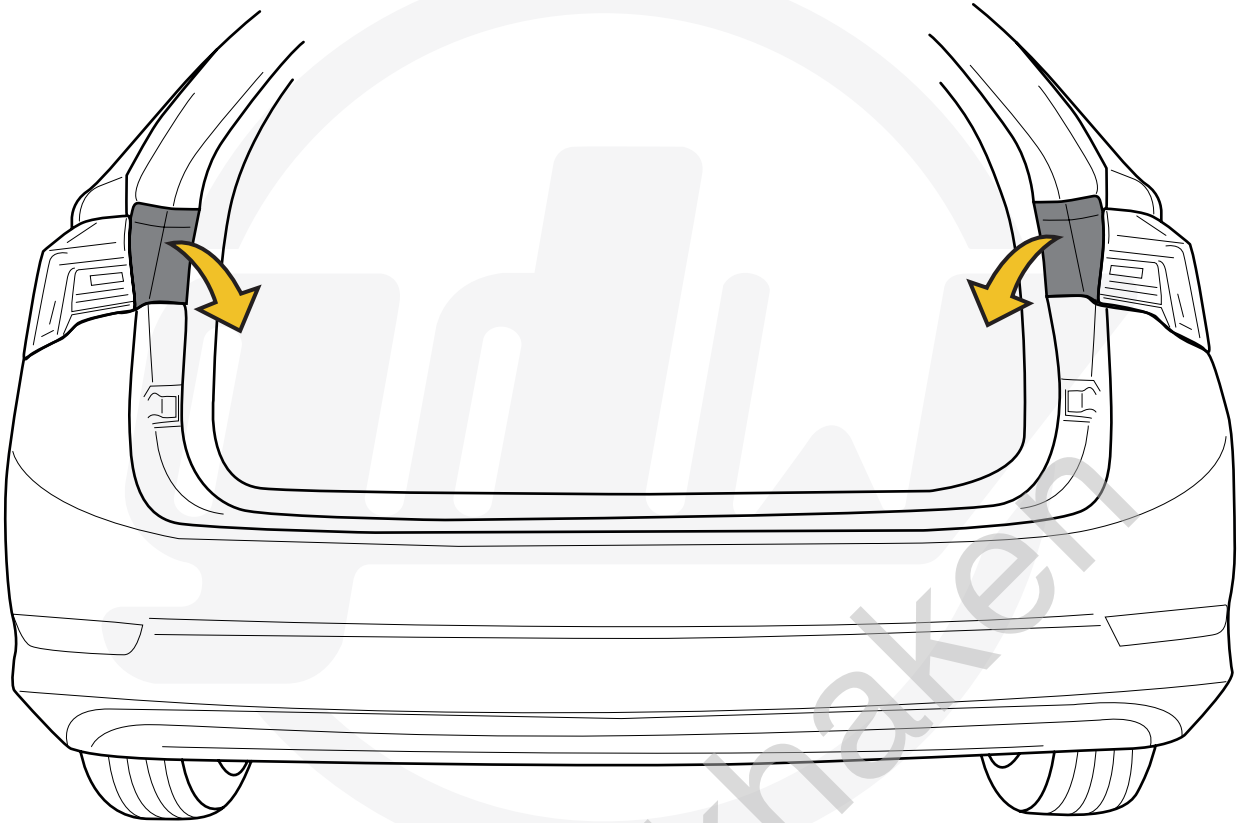


1		X1	GDW REF. 2494T60
2		X1	GDW REF. 2
3		X1	GDW REF. 3
4		X2	DIN125-A10-140HV-ELVZ
5		X6	DIN128A-M10
6		X6	DIN933-M10X40
7		X2	DIN934-M10
8		X4	DIN9021-M10-ELVZ
-V		X1	GDW REF. 908.101

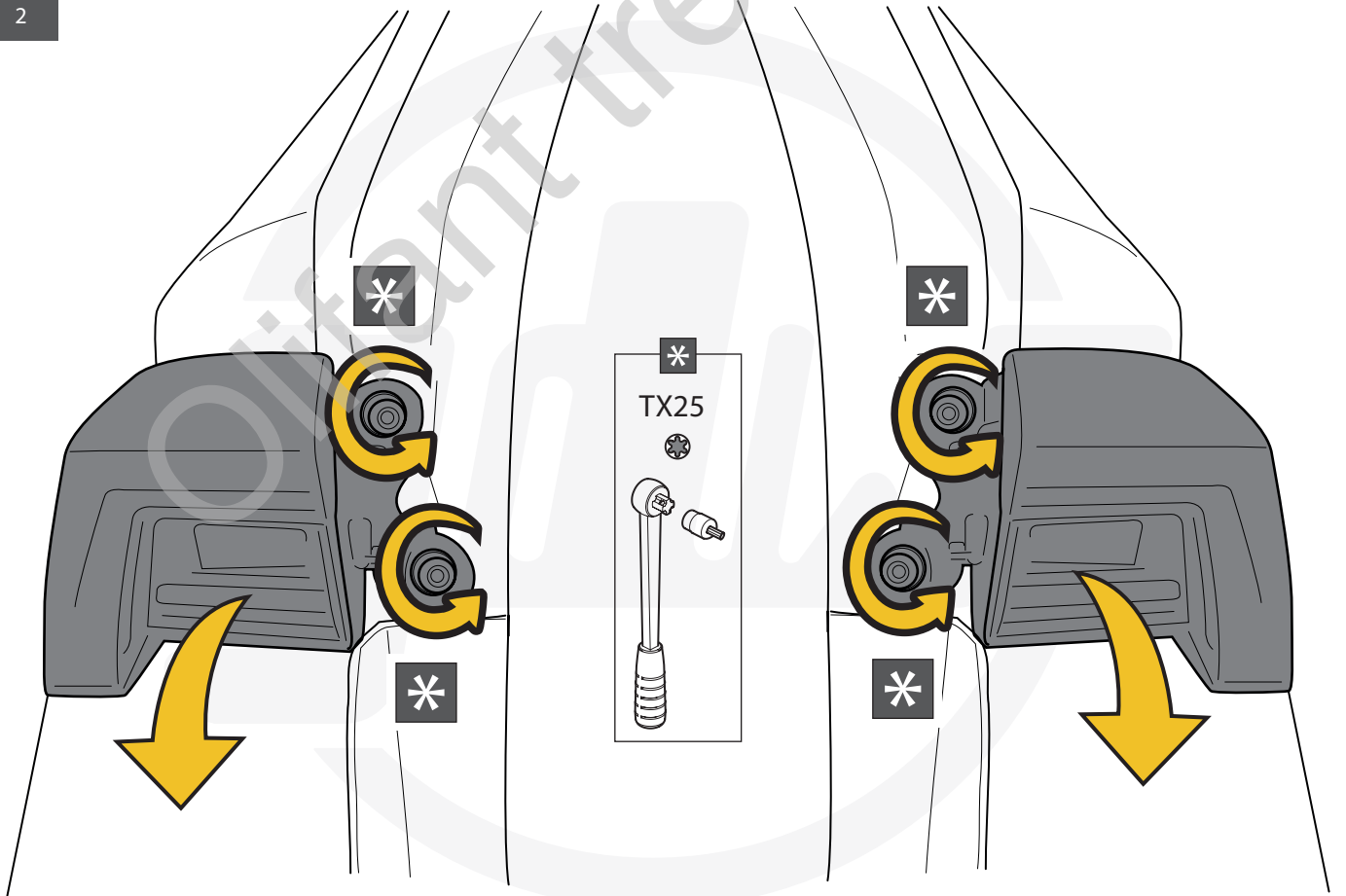
-P		X1	GDW REF. P46
↑		X1	DIN985-M6
↑		X2	6,2 X 15,4 X 1,6 (NYLON)
↑		X1	GDW REF. 718.16.002
↑		X1	GDW REF. 718.16.003
↑		X1	GDW REF. 908.094
↑		X1	DIN933-M6 X 30
↑		X1	GDW REF. 908.101

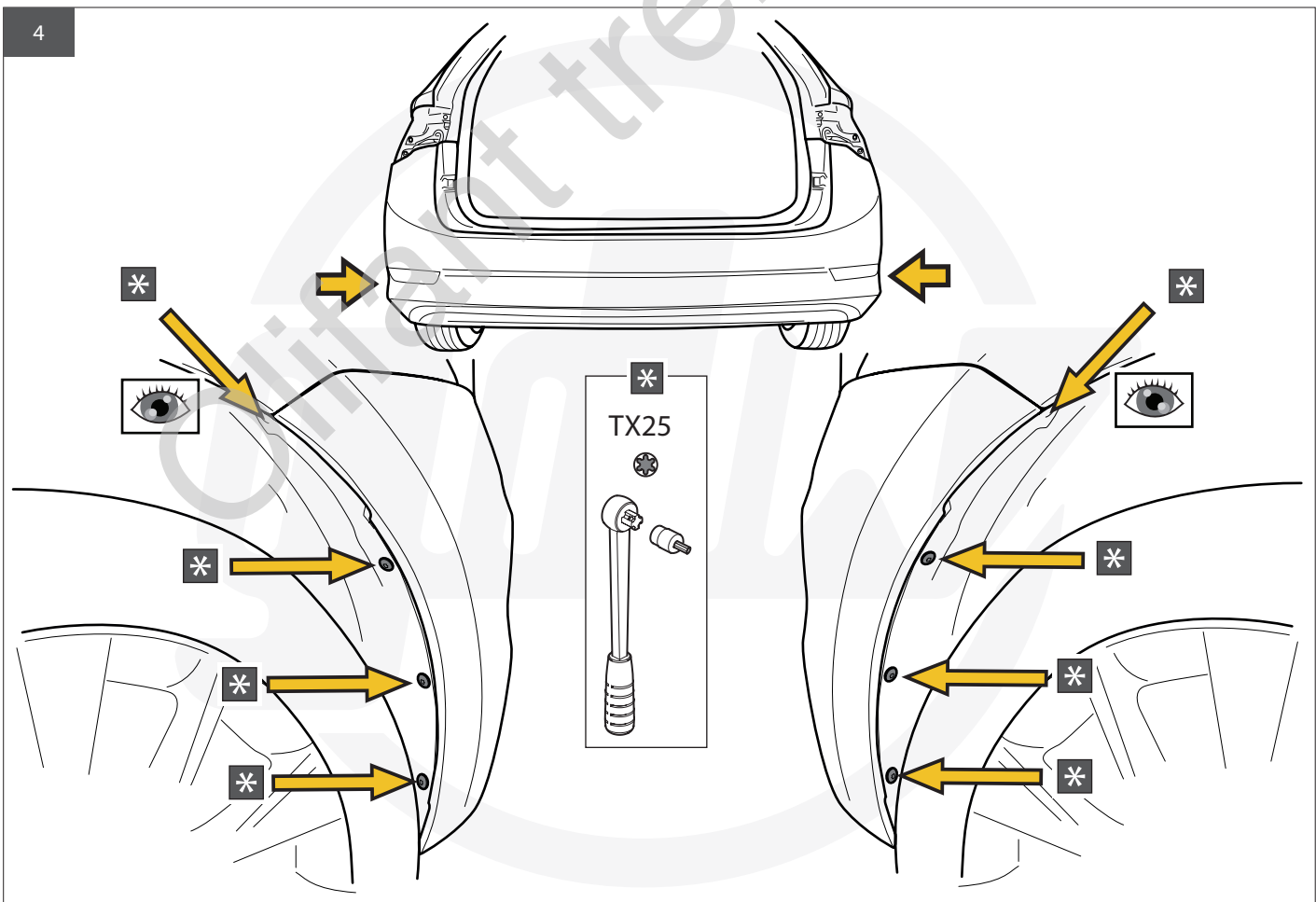
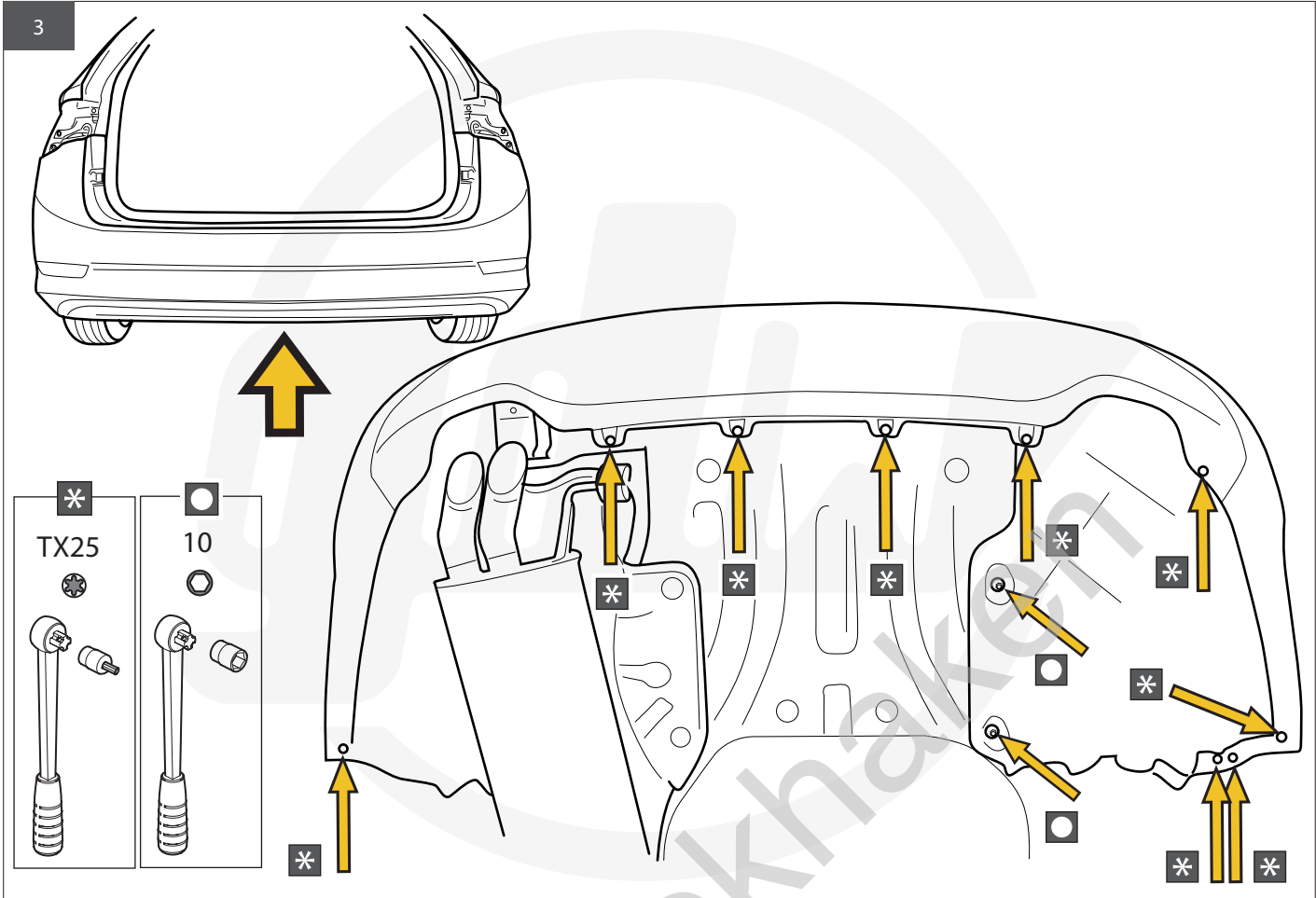
Geleverd met - Livré avec - Delivered with Geliefert mit - Elementos adjuntos-Leveres med		X1	GDW REF. 960.V0406
	↑	X1	GDW REF. 740.200
		X1	GDW REF. 912.003
	↑	X1	GDW REF. 740.112
	↑	X1	GDW REF. 740.111
		X1	GDW REF. 740.114
		X1	GDW REF. 718.15.001
		X1	GDW REF. SYST60-10
	↑	X3	DIN931-M12X110-8.8
	↑	X3	DIN128A-M12
	↑	X6	DIN125A-M12
	↑	X3	DIN934-M12

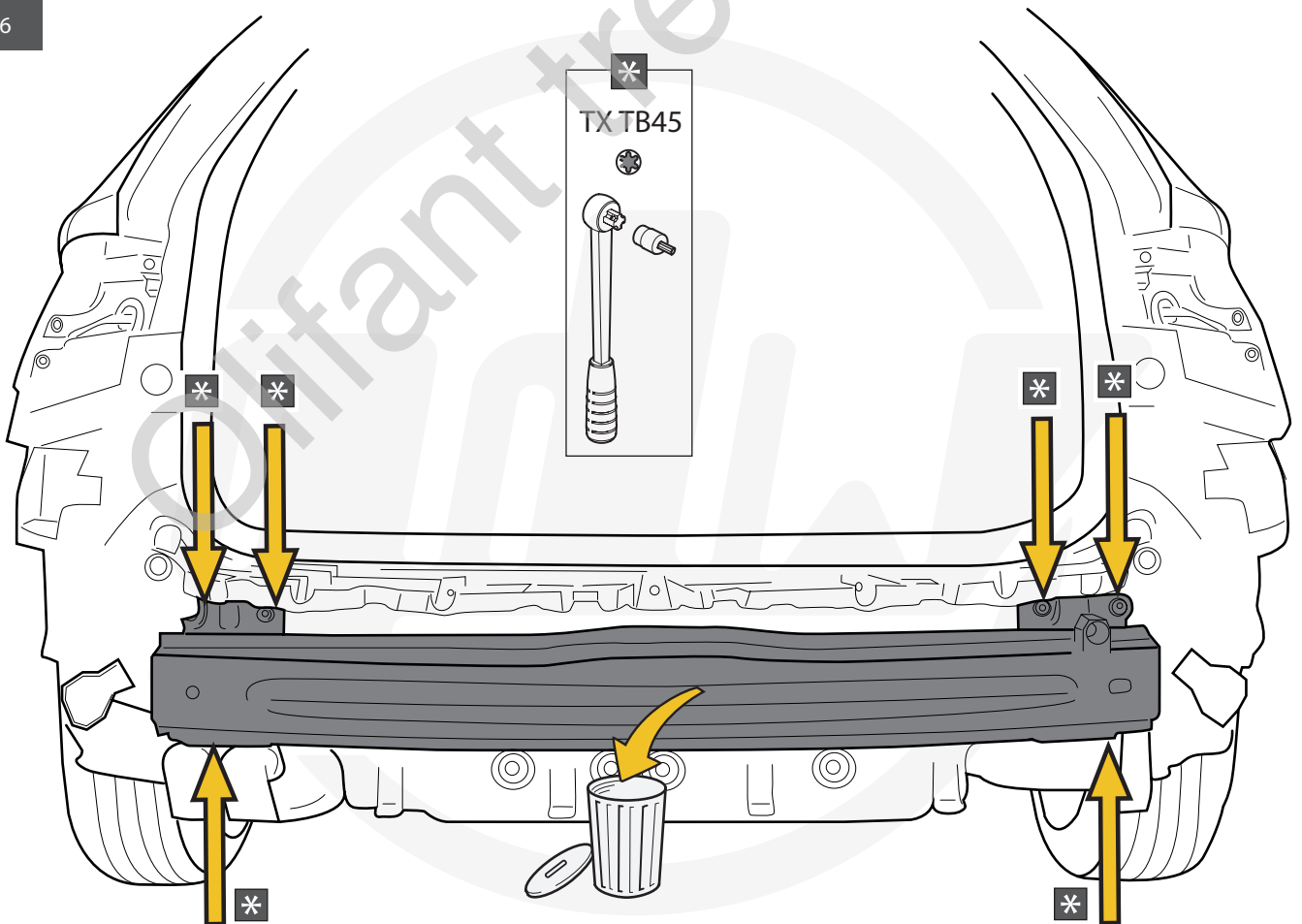
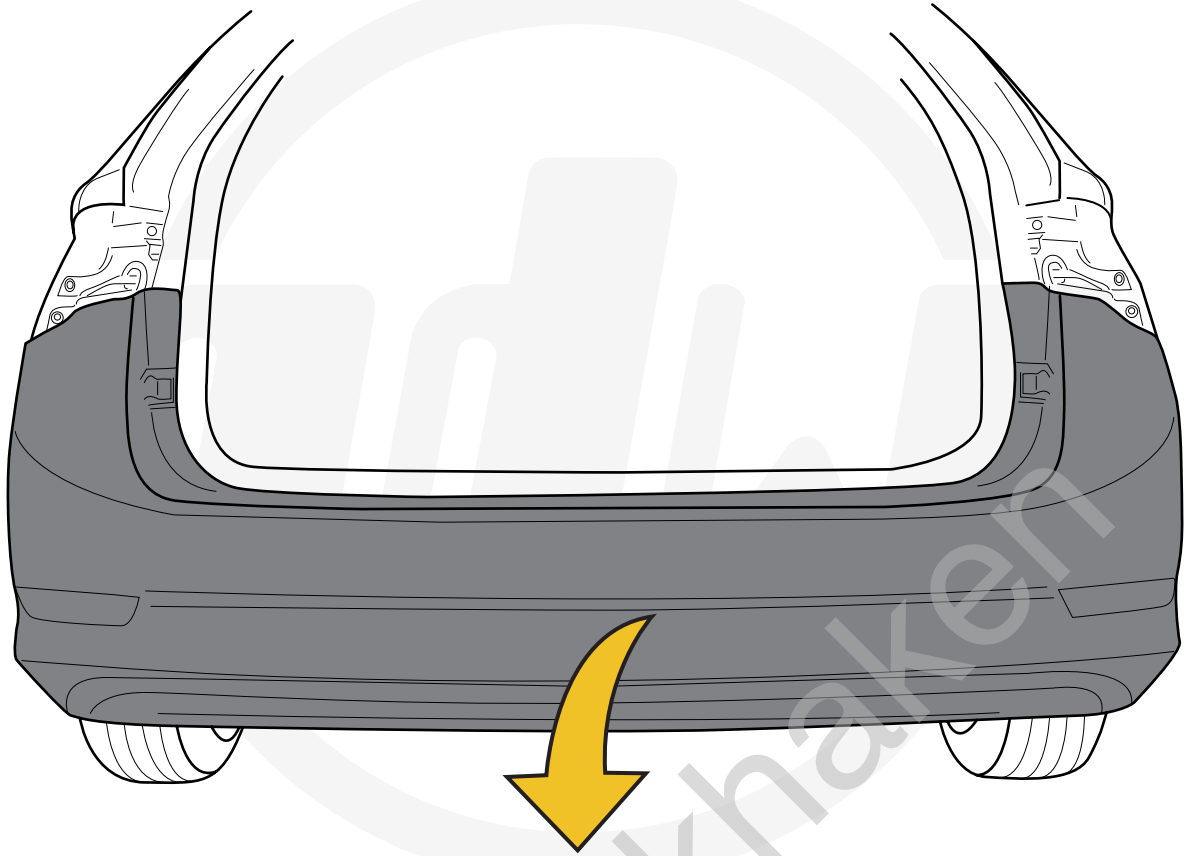
1



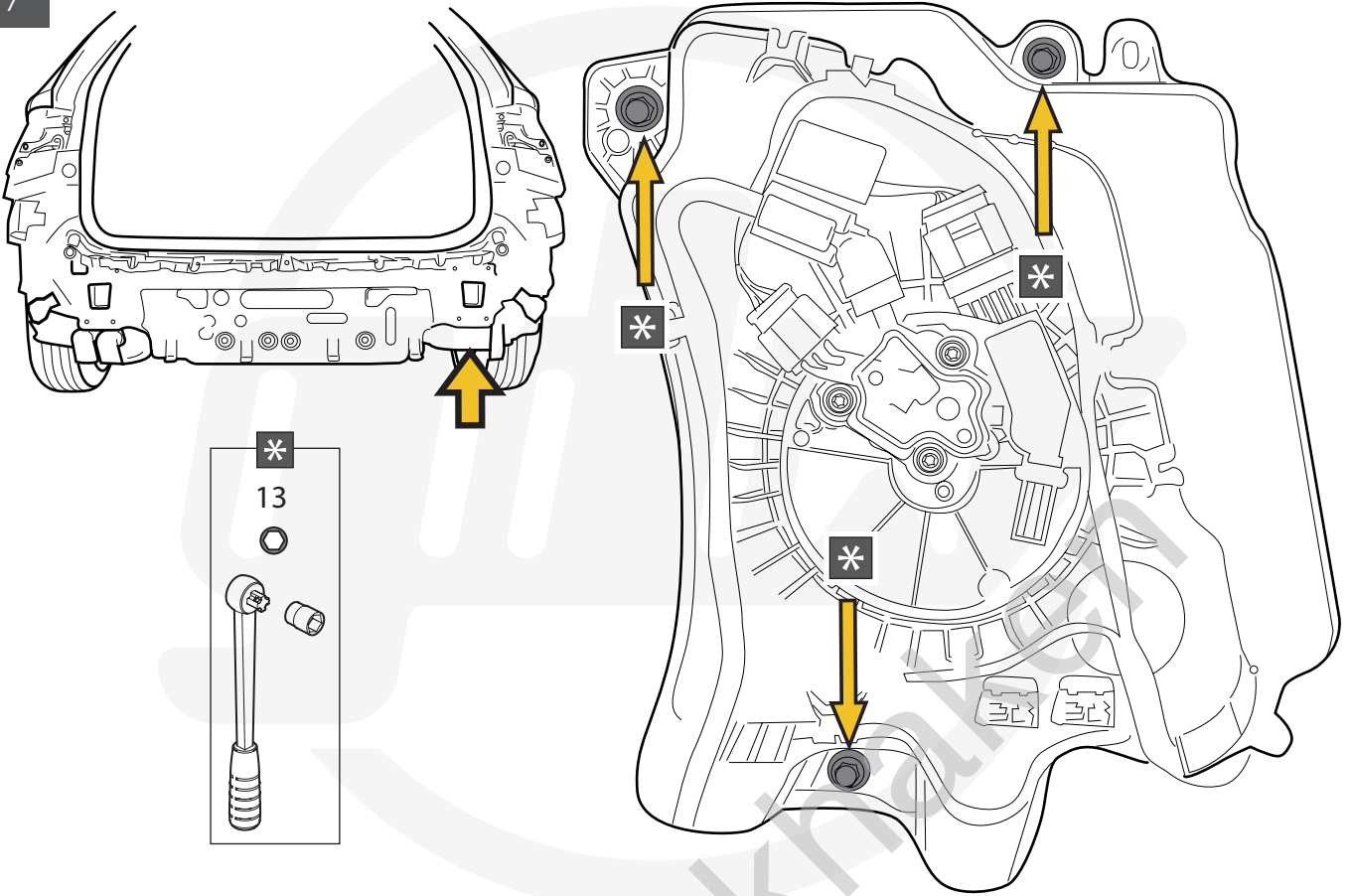
2



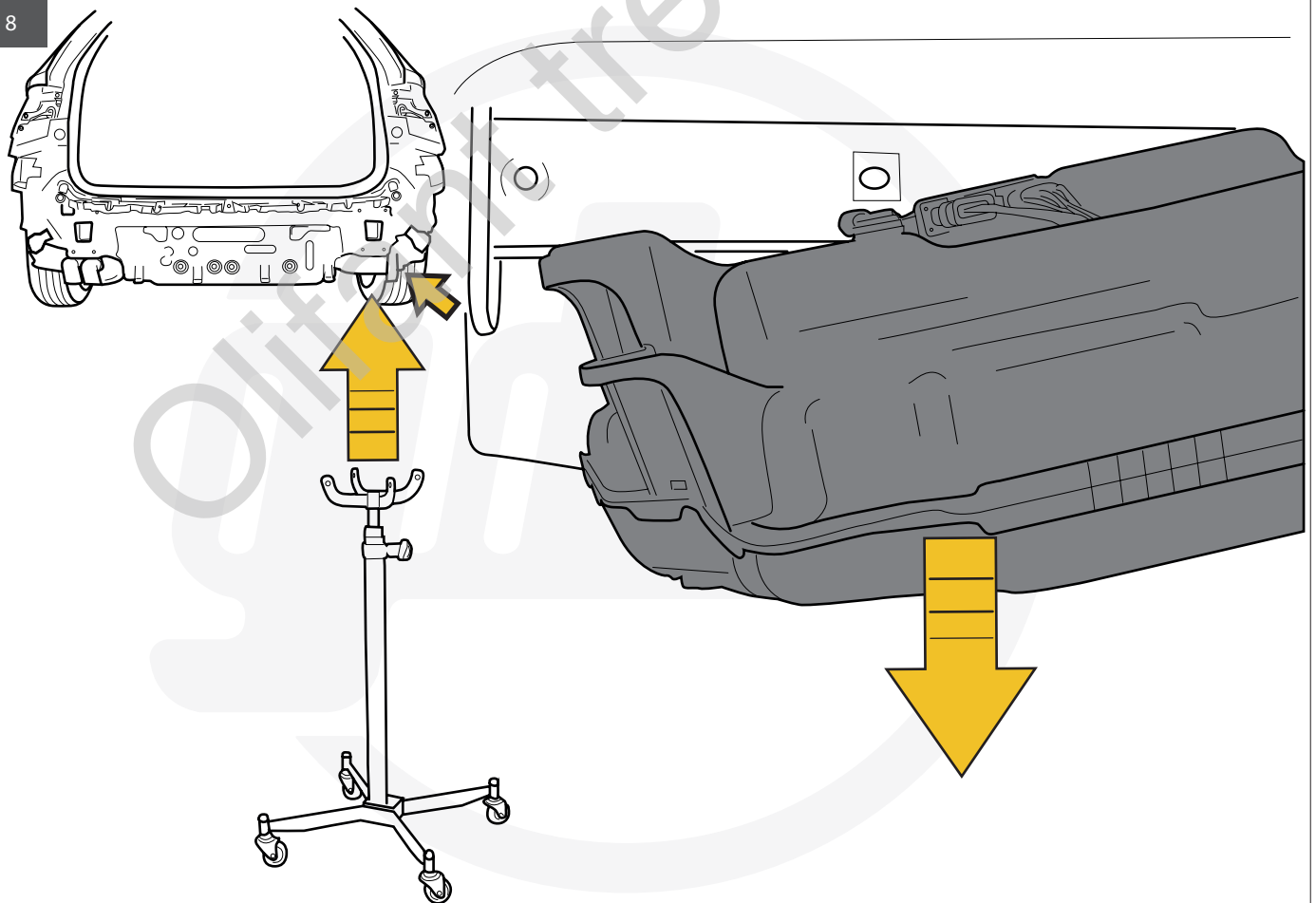


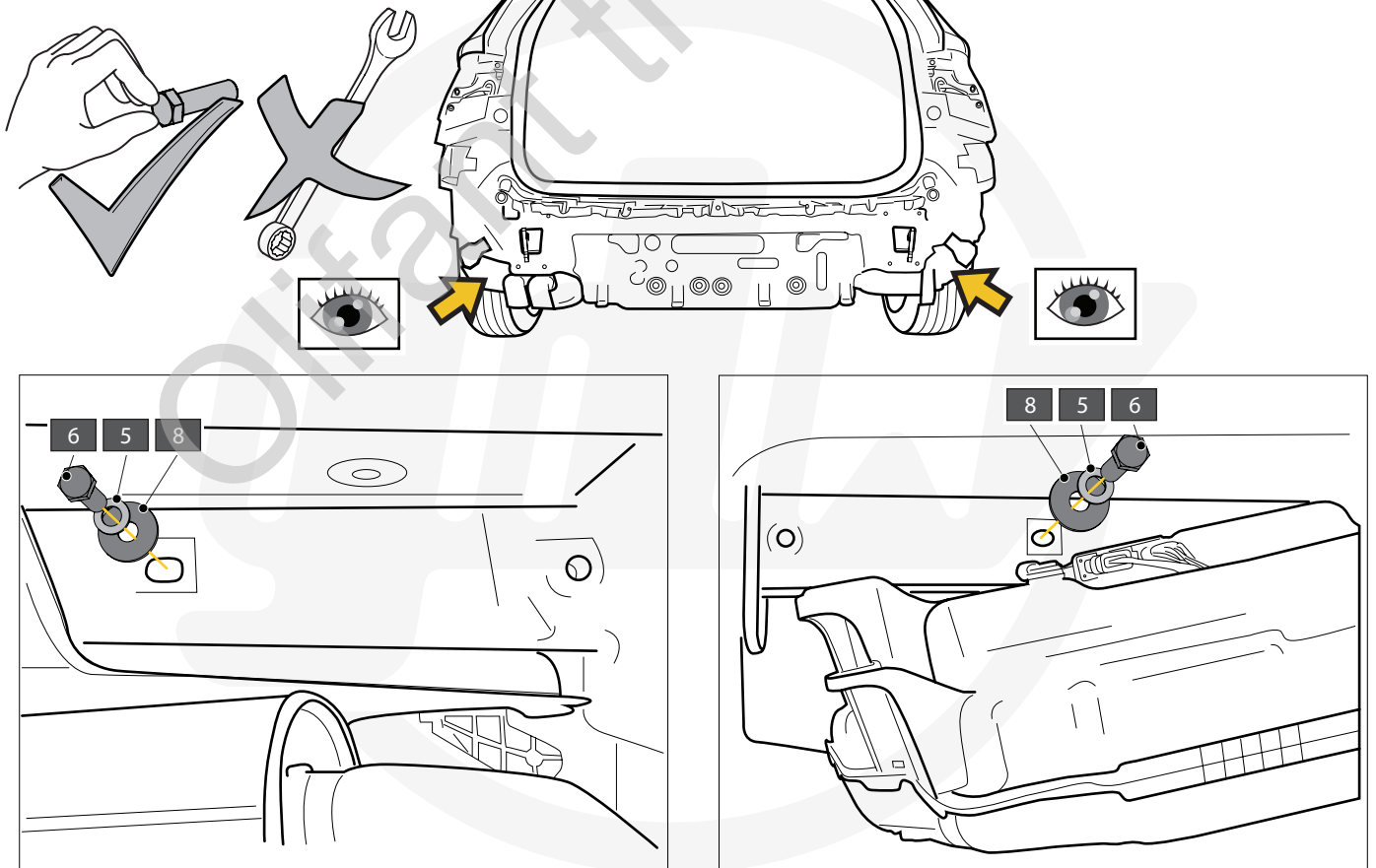
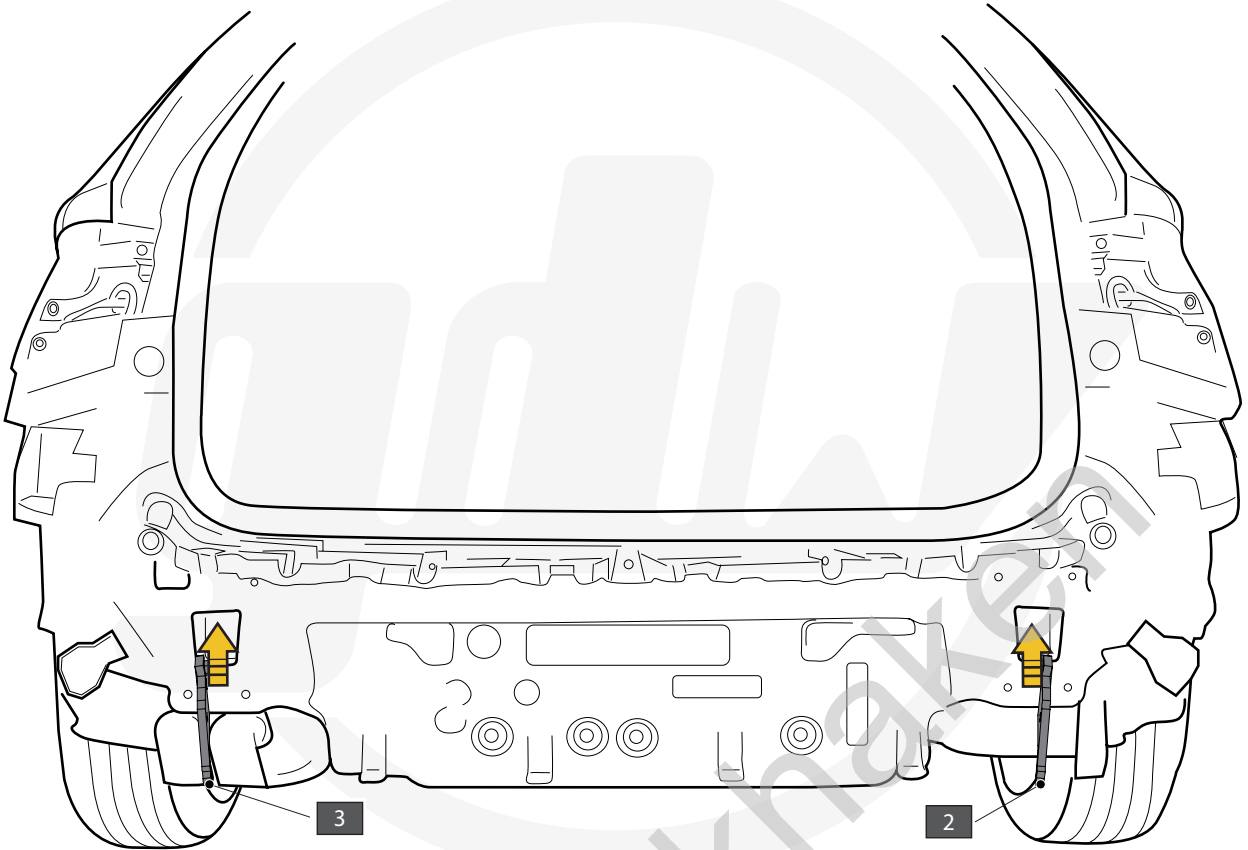


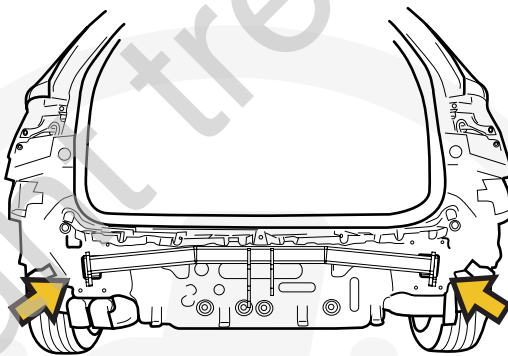
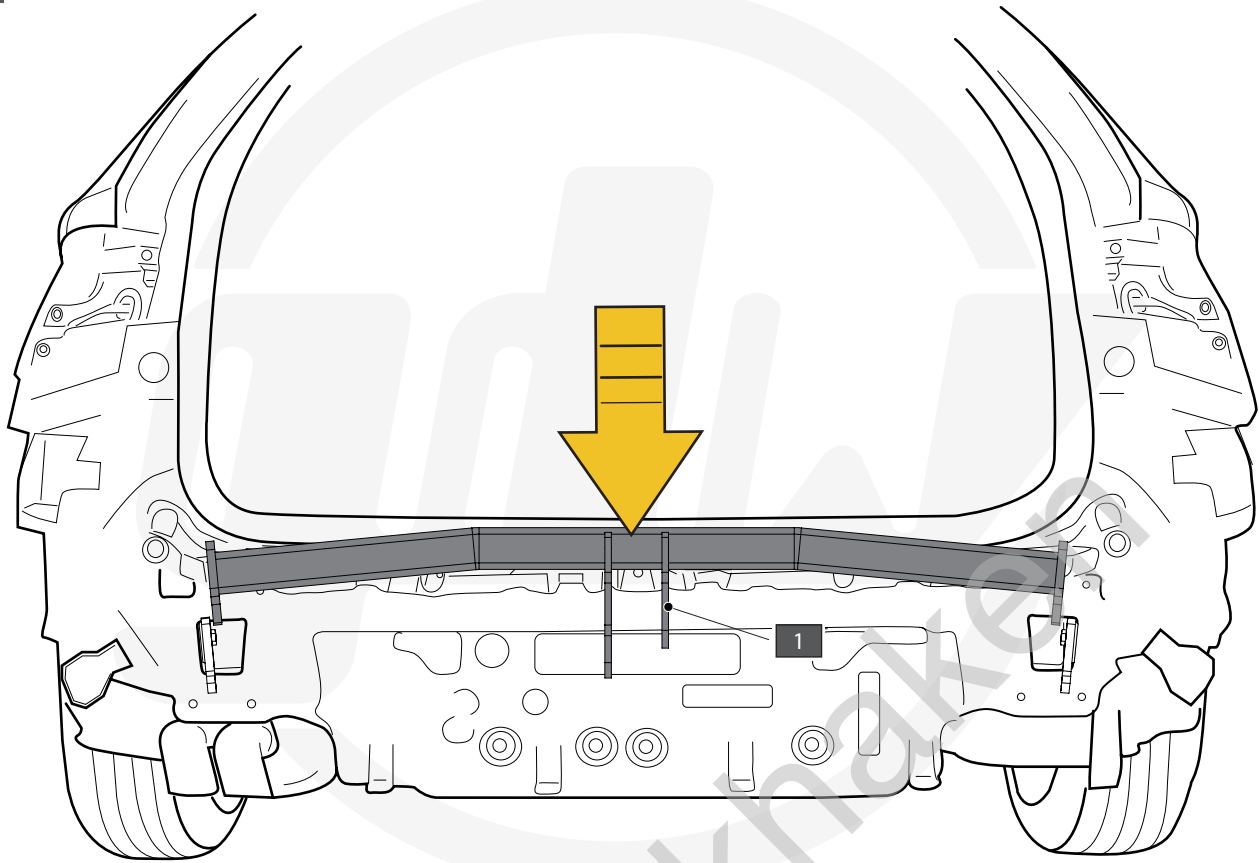
7



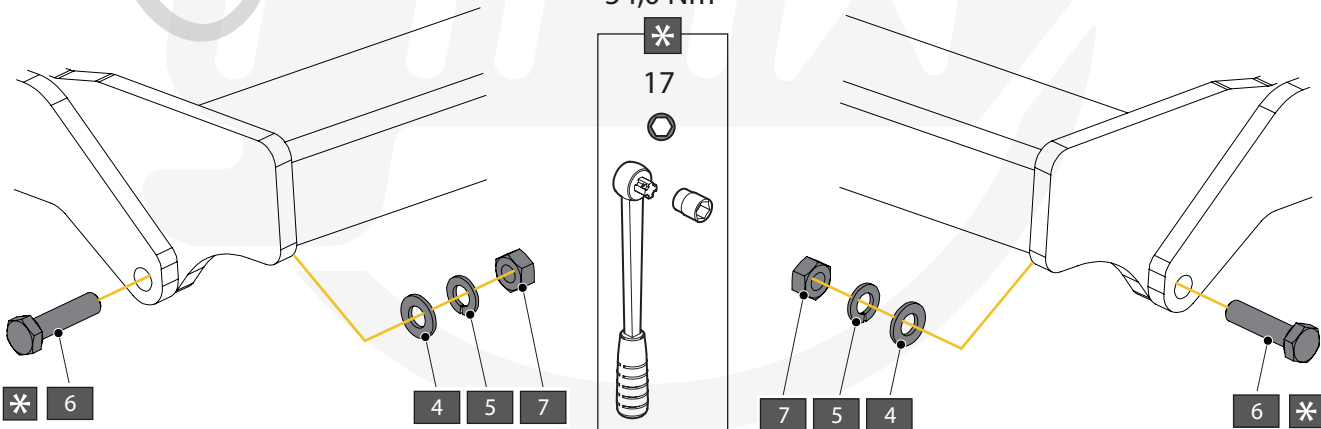
8



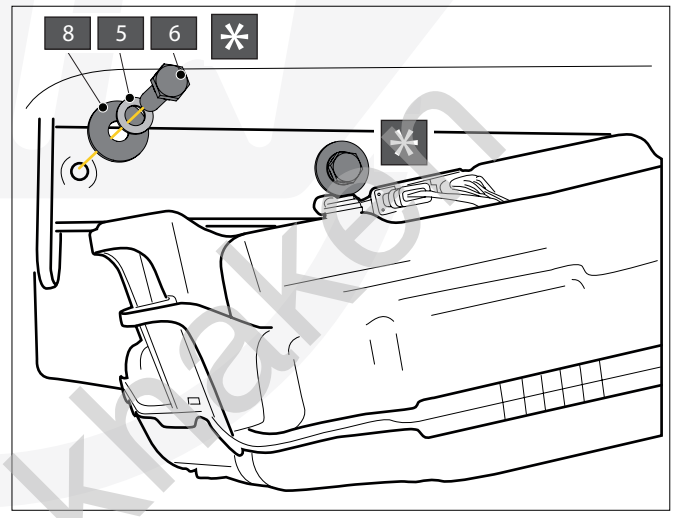
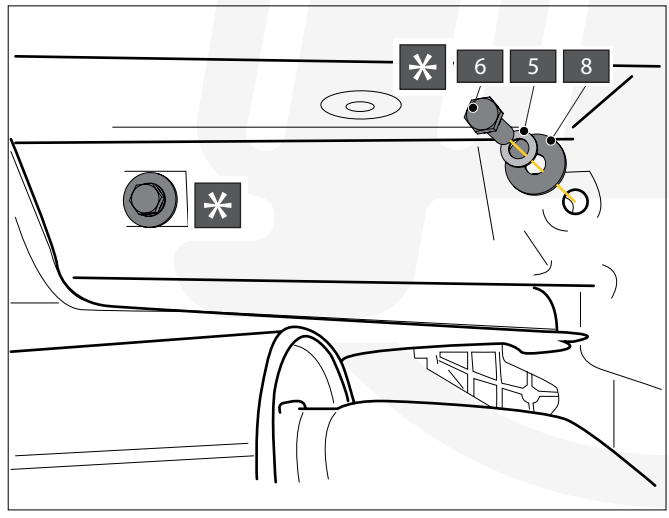
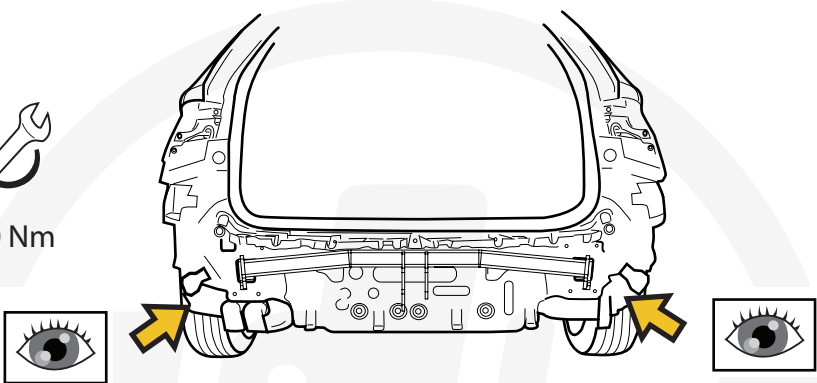
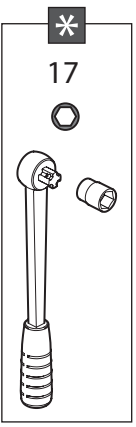




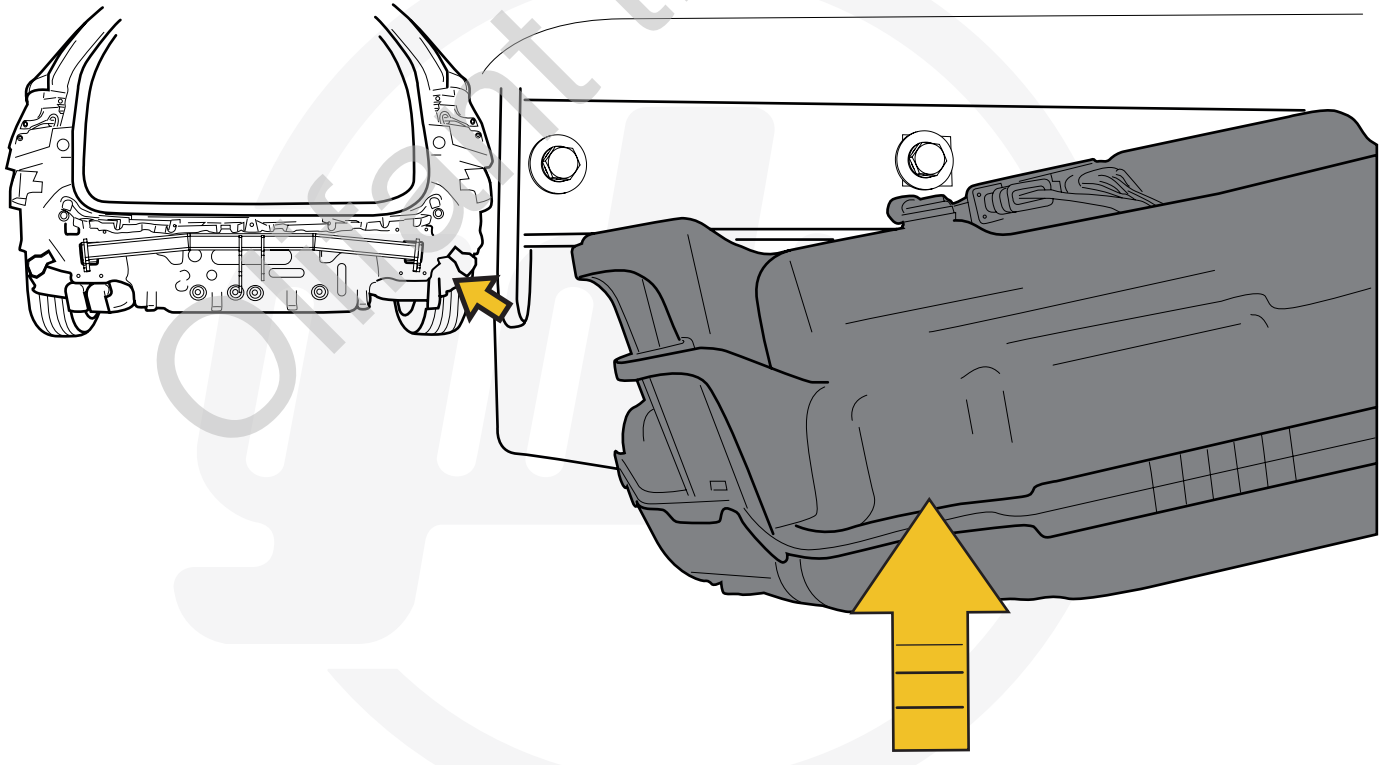

54,0 Nm

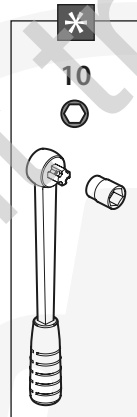
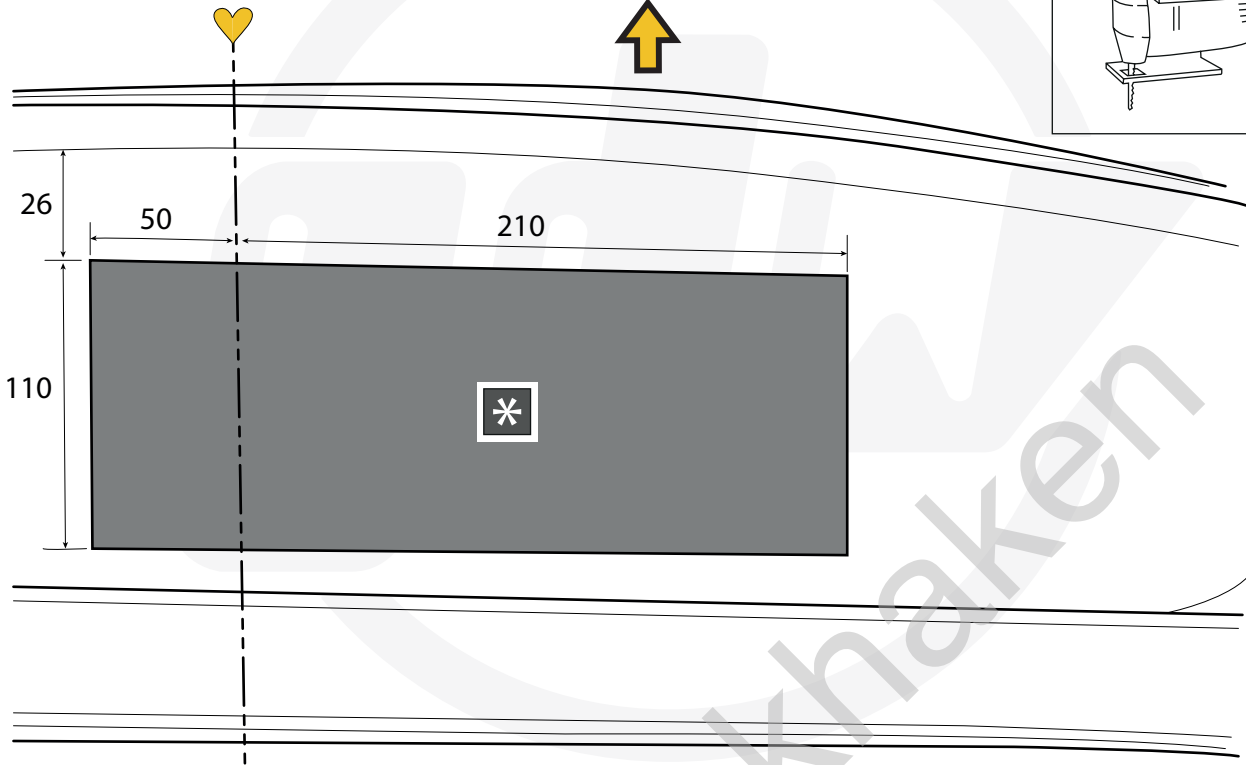
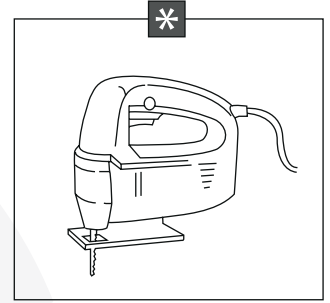
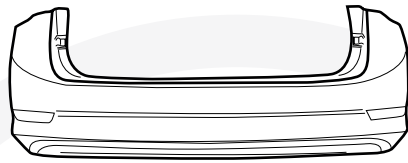


13



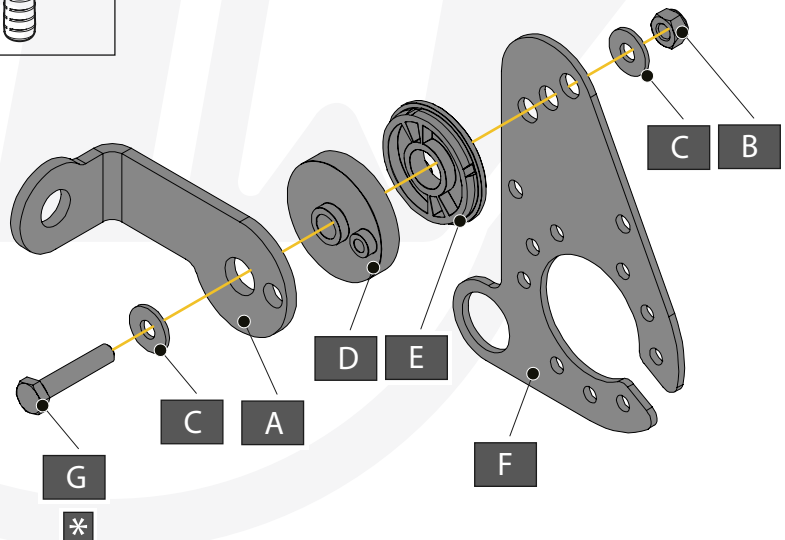
14



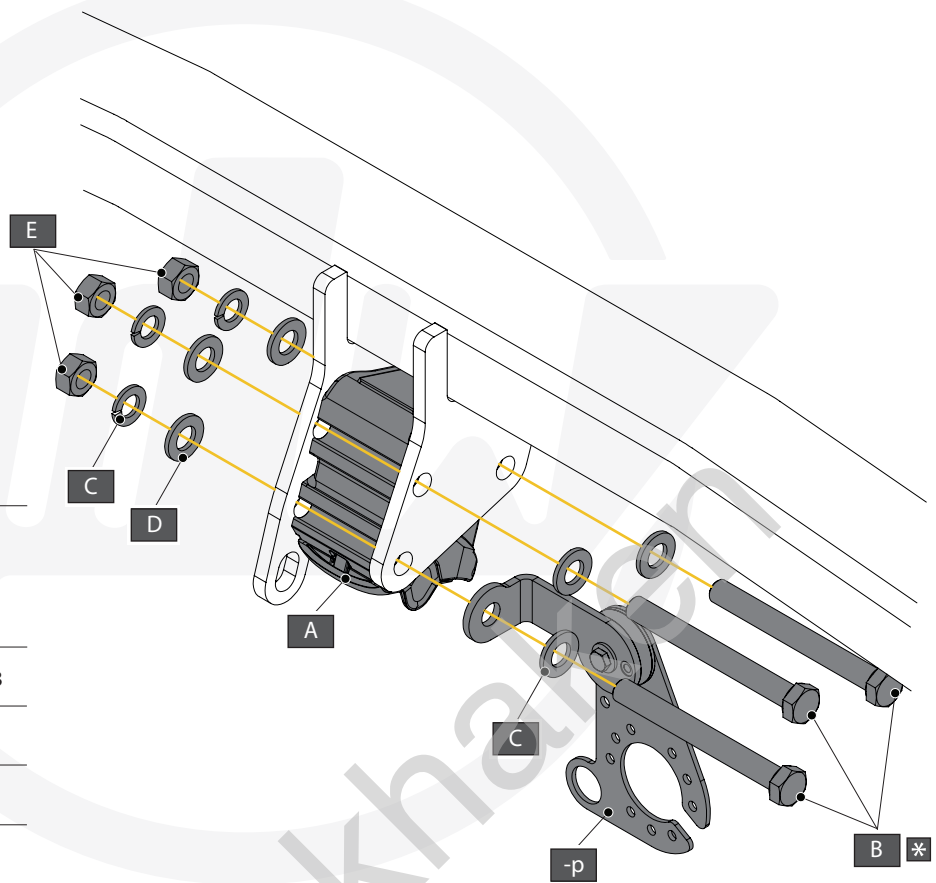
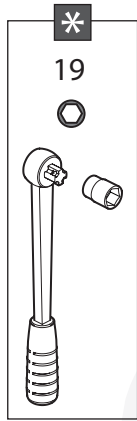


2,0 Nm

- | | | |
|---|--|------------------------------|
| A | | X1 GDW REF. 908.101 |
| B | | X1 DIN985-M6 |
| C | | X2 Ø15,4 X 6,2 X 1,6 (NYLON) |
| D | | X1 GDW REF. 718.16.002 |
| E | | X1 GDW REF. 718.16.003 |
| F | | X1 DIN933-M6 X 30 |
| G | | X1 GDW REF. 908.094 |



17



A X1 GDW REF. 912.003

B X3 DIN931-M12X110-8.8

C X3 DIN128A-M12

D X6 DIN125A-M12

E X3 DIN934-M12

18

