



Mercedes-Benz GLA (type H247) 02/'20 -

✓ STANDARD

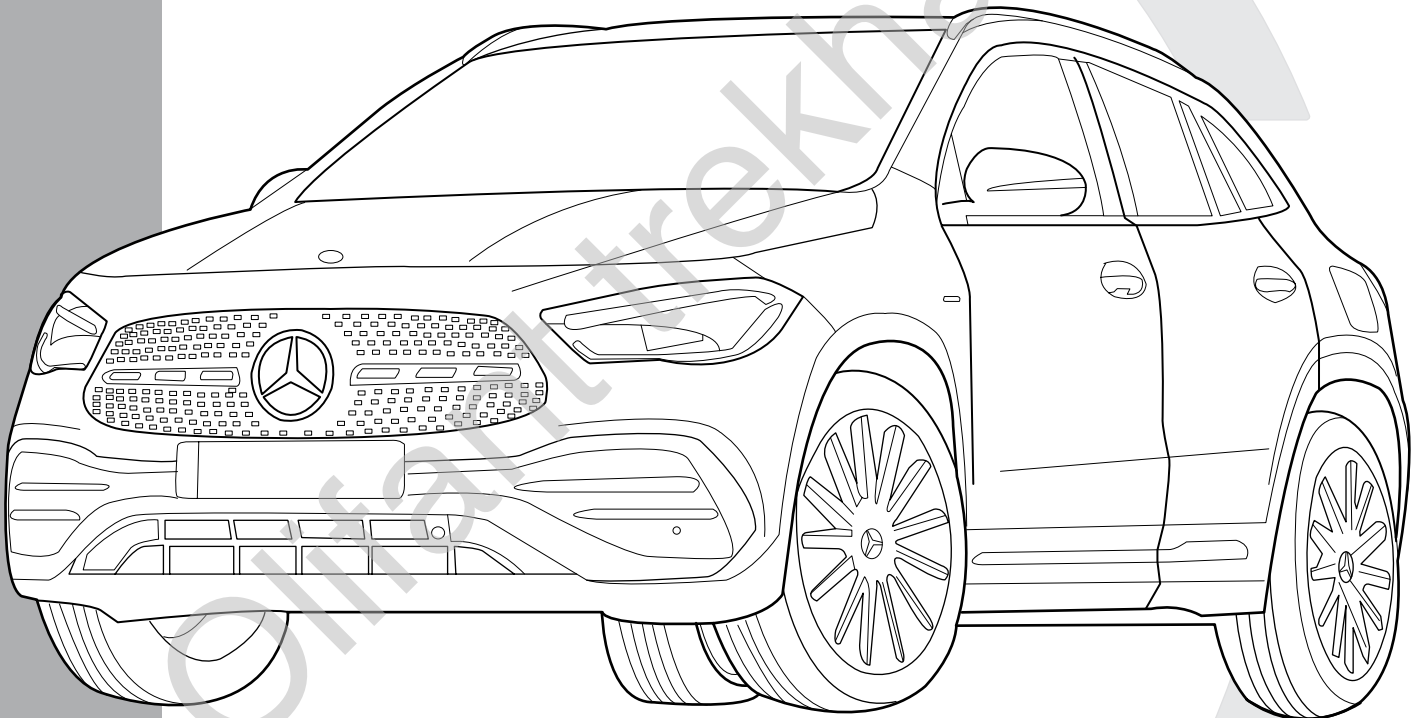
✓ AD BLUE

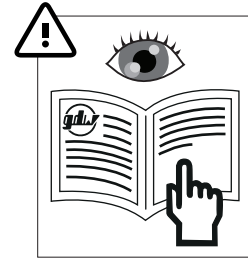
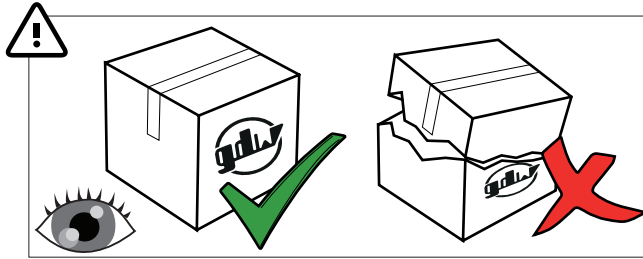
✓ EQ POWER (HYBRID)

✓ AMG-LINE

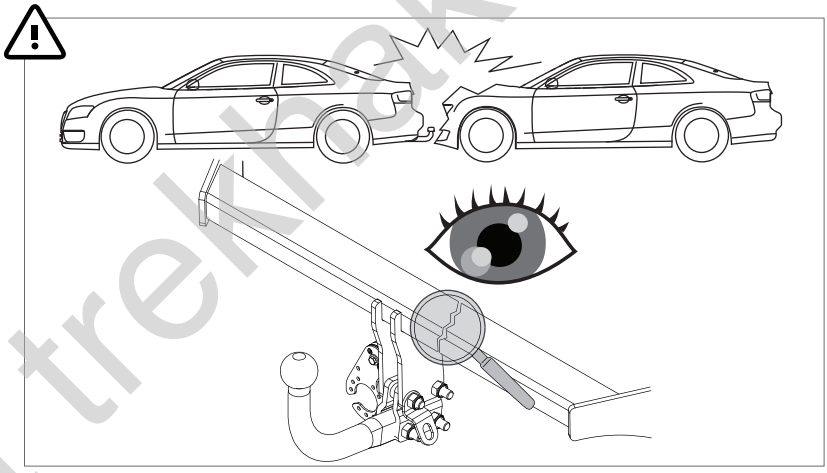
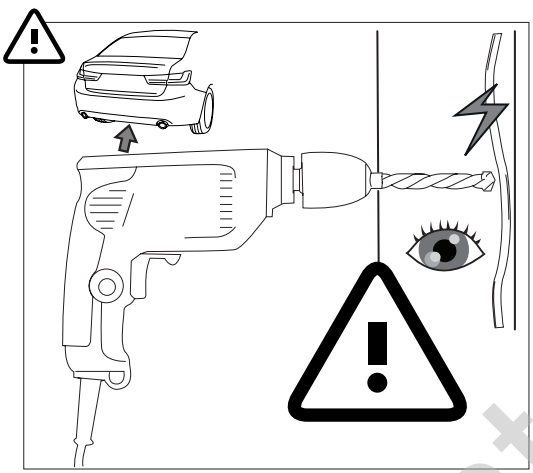
✗ EDITION 1

✗ AMG





gdw
+32 56 62 77 79
helpdesk@gdwtowbars.com



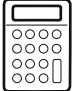
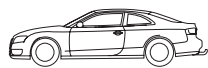
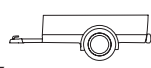
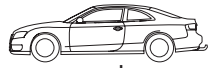
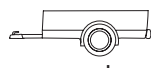
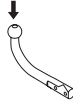
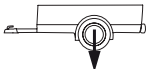


1000 km / 1 x per year

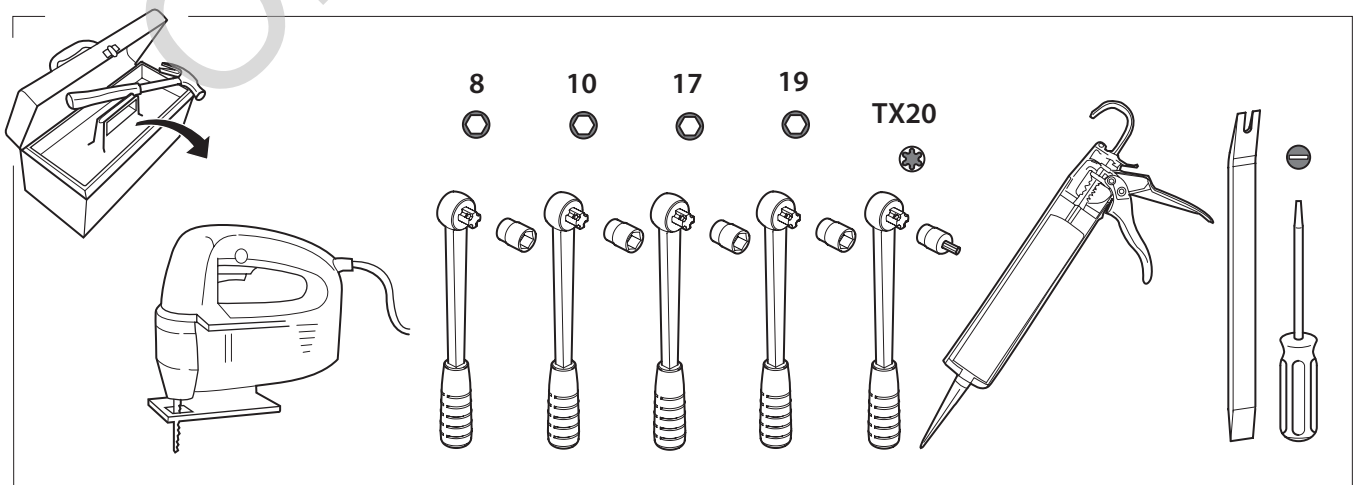
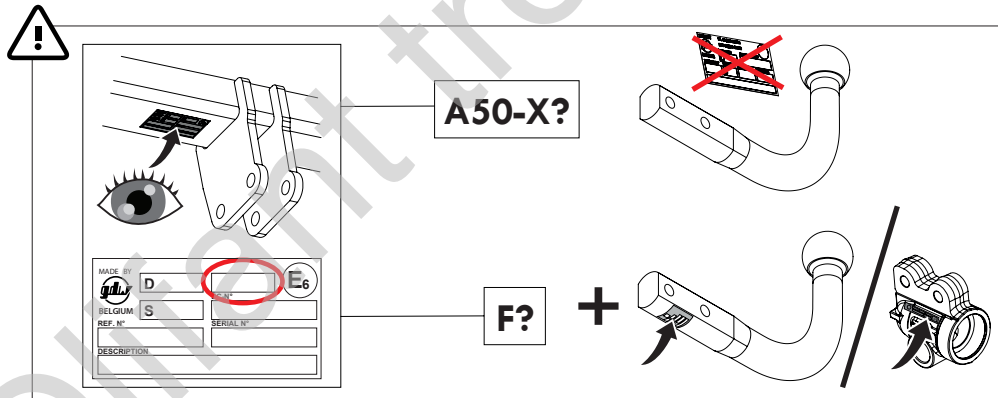
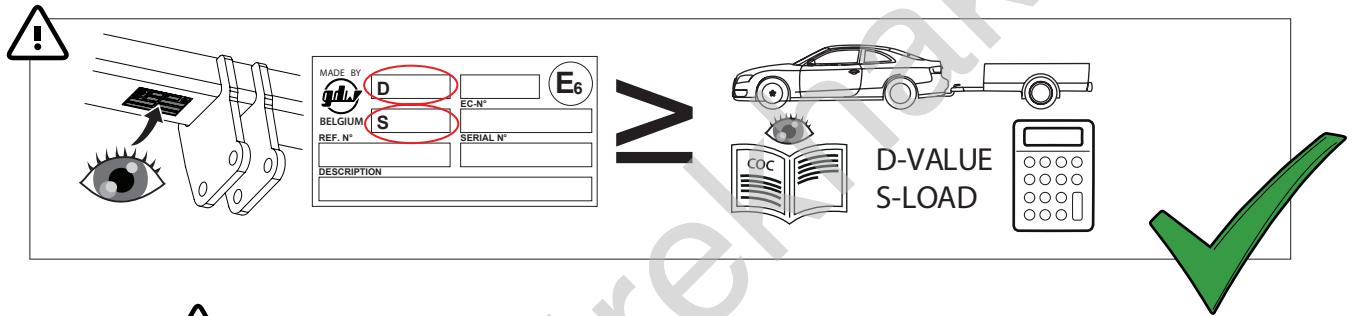
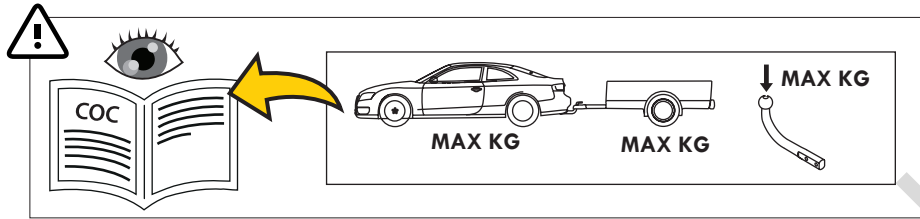
- 1
- 2
- 3

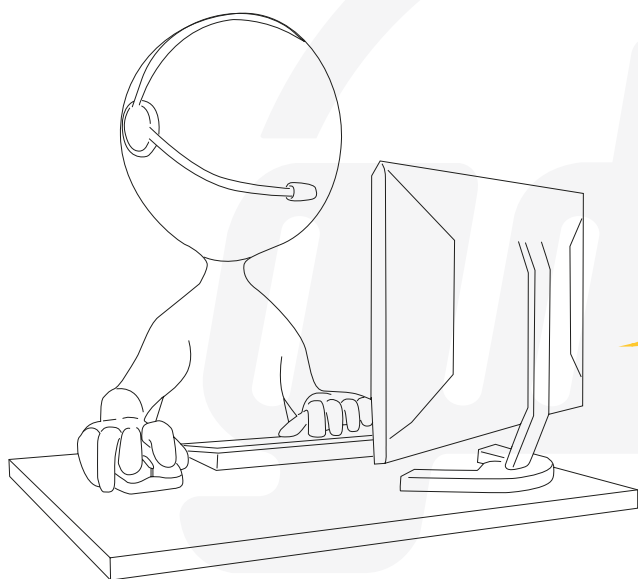
GREASE

1 - XXX - XXX

MADE BY 	D 10,80	F	E6	 	  $\text{max kg} \times \text{max kg} \times 0.00981 \leq 10,80 \text{ kN}$
BELGIUM	S 100	EC-N° 55R01/07*1617*01	SERIAL N° XXXX		  $\text{max kg} + \text{max kg}$
REF N° 2491T60	DESCRIPTION Mercedes-Benz GLA 02/'20-				 $\leq 100 \text{ kg}$  $\leq 2000 \text{ kg}$

See the Certificate Of Conformity (COC) of your vehicle or contact your dealer to verify the max. trailer weight of your car!

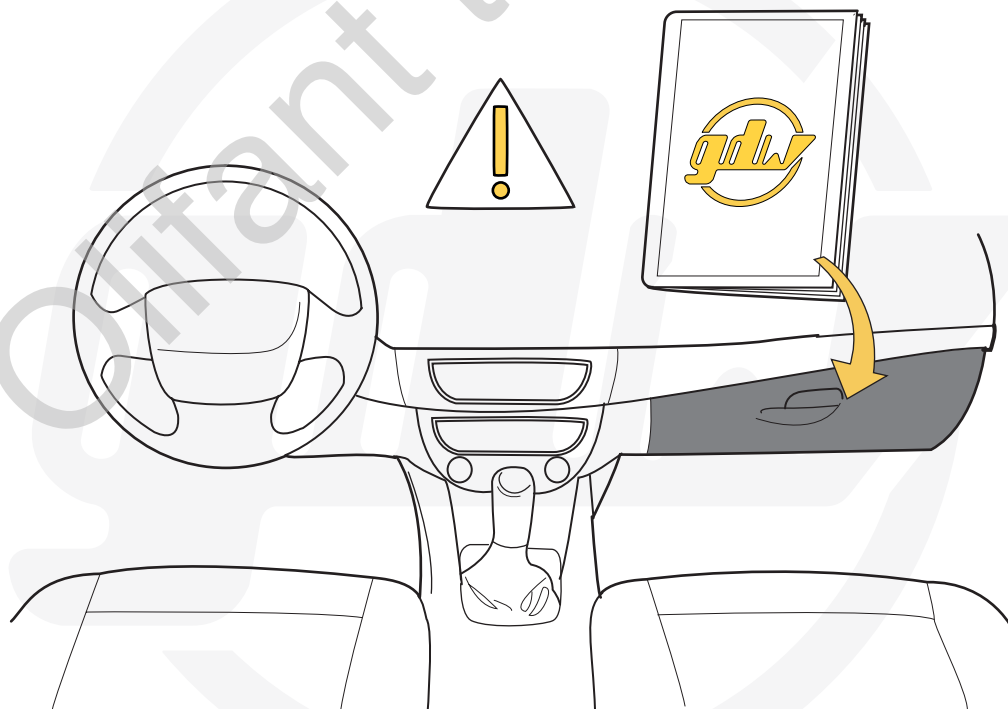


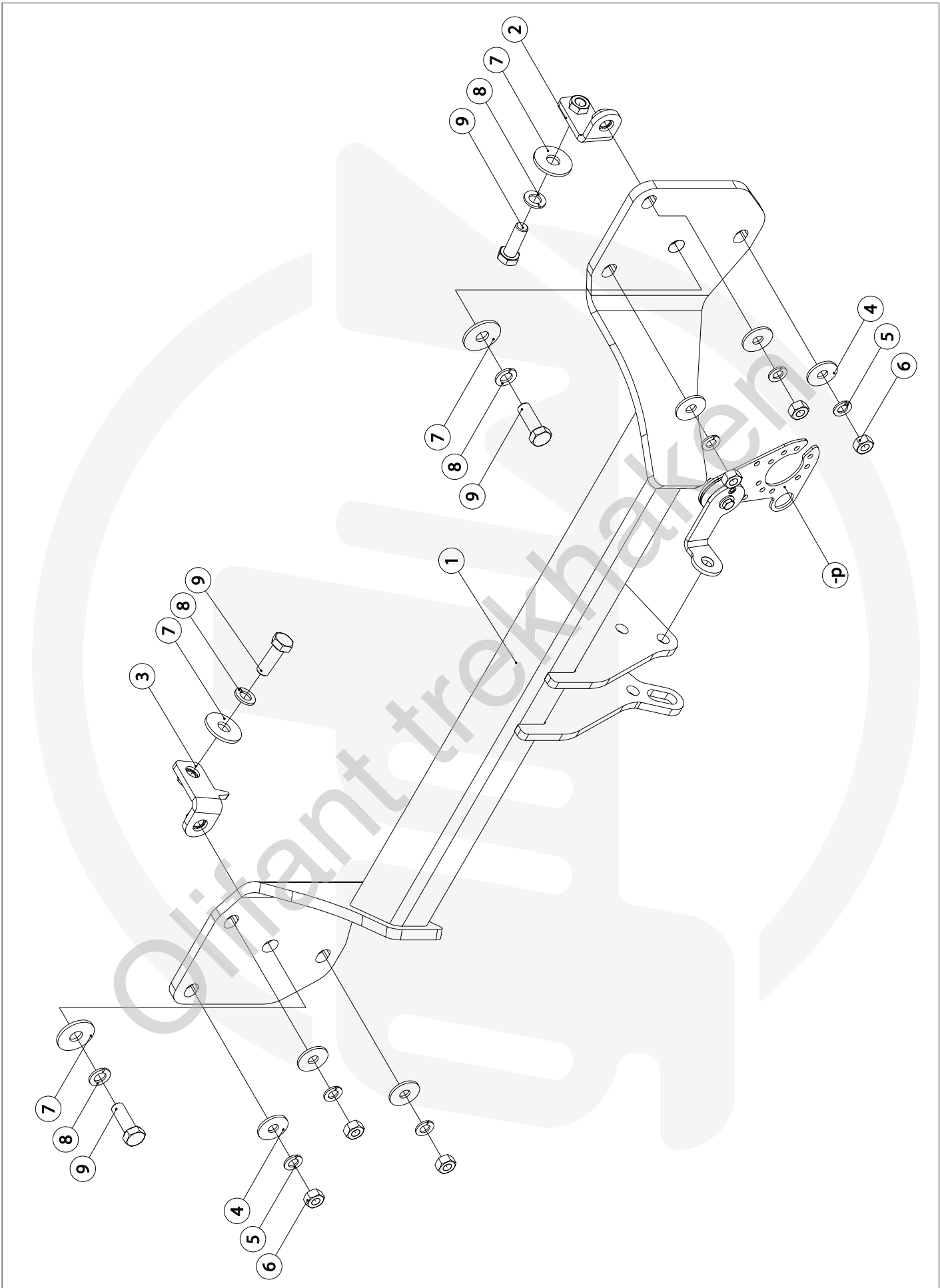


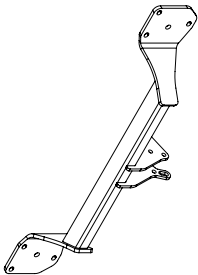

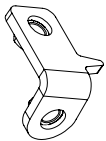




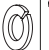



helpdesk@gdwtowbars.com

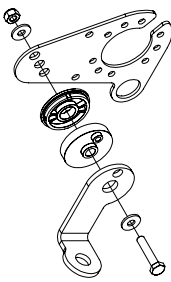
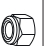
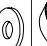


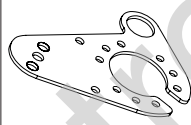

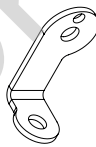
+32 56 62 77 79

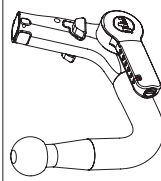

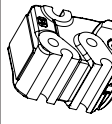


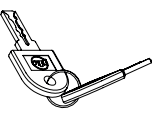

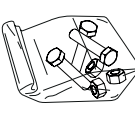




Monday	08:00 - 12:00	12:30 - 16:30
Tuesday	08:00 - 12:00	12:30 - 16:30
Wednesday	08:00 - 12:00	12:30 - 16:30
Thursday	08:00 - 12:00	12:30 - 16:30
Friday	08:00 - 12:00	12:30 - 15:30



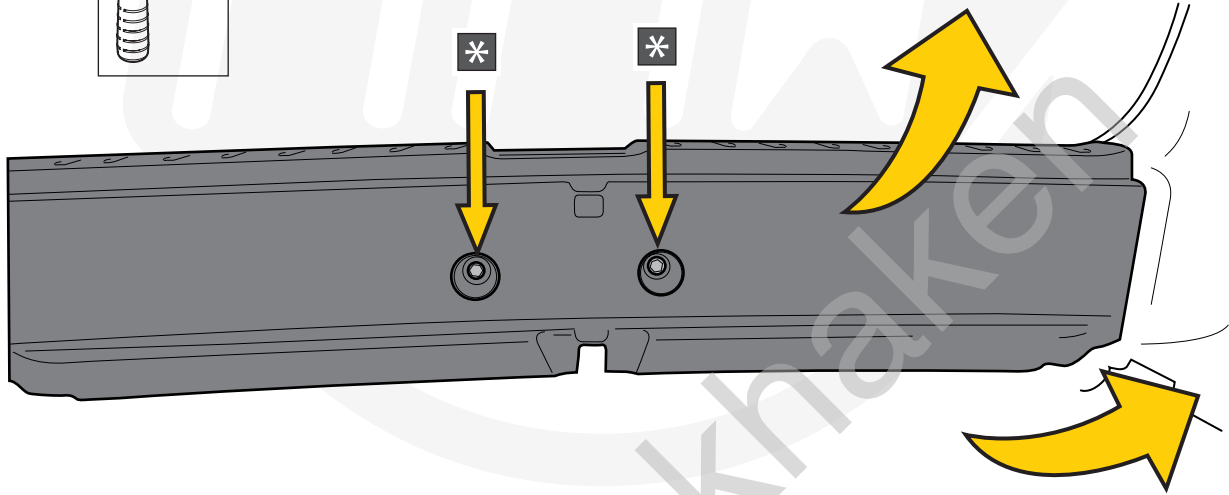
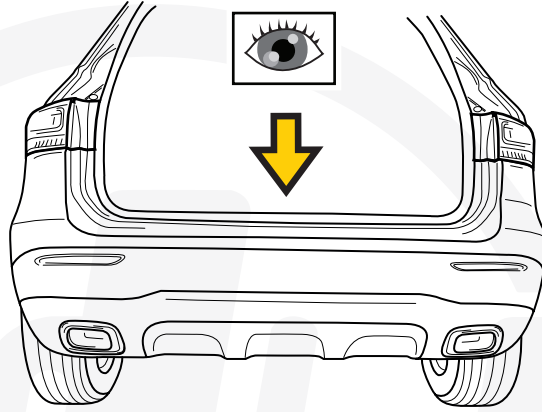
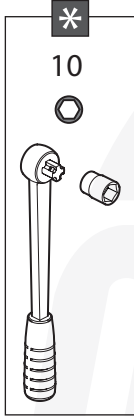


1		X1	GDW REF. 2491T60
2		X1	GDW REF. 2
3		X1	GDW REF. 3
4		X6	DIN9021-M10-ELVZ
5		X6	DIN128A-M10
6		X6	DIN934-M10
7		X4	DIN9021-M12-ELVZ
8		X4	DIN128A-M12
9		X4	DIN933-M12 X 35
-V		X1	GDW REF. 908.095
-S		X1	GDW REF. 900.053

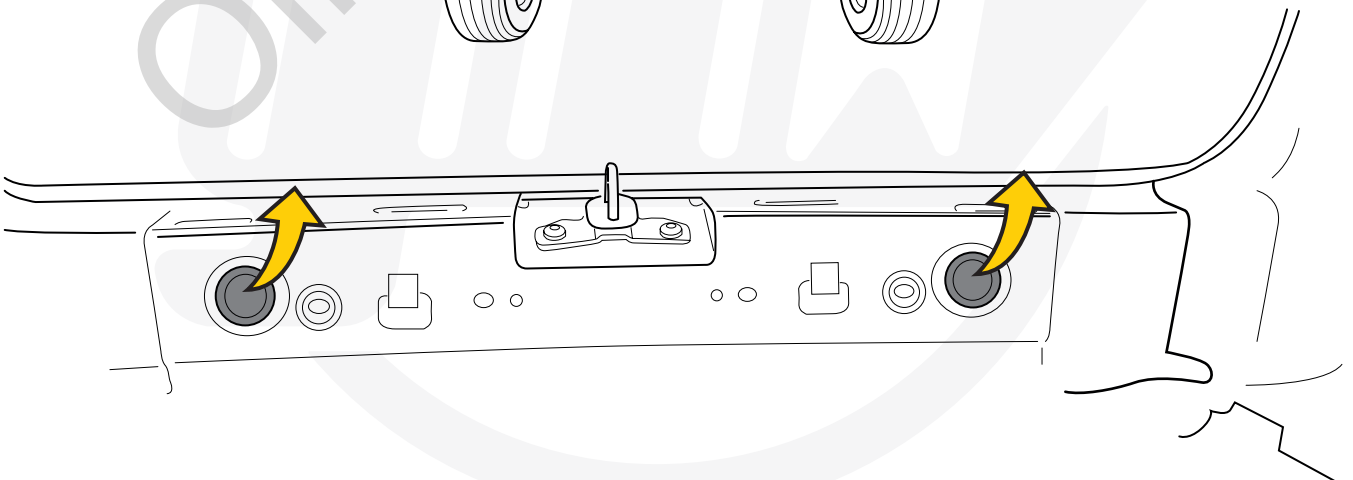
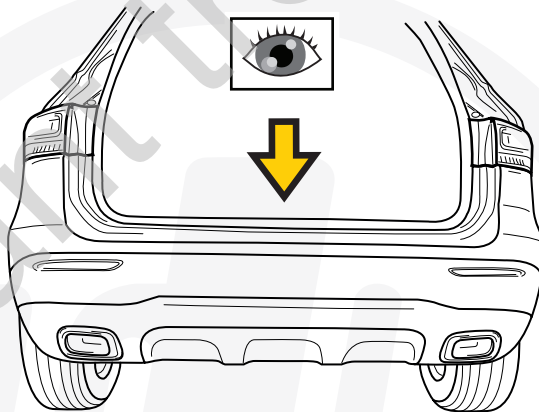
P		X1	GDW REF. P46
↑		X1	DIN985-M6
↑		X2	6,2 X 15,4 X 1,6 (NYLON)
↑		X1	GDW REF. 718.16.002
↑		X1	GDW REF. 718.16.003
↑		X1	GDW REF. 908.094
↑		X1	DIN933-M6 X 30
↑		X1	GDW REF. 908.101

Geleverd met - Livré avec - Delivered with Geliefert mit - Elementos adjuntos - Leverages med		X1	GDW REF. 960.V1008
↑		X1	GDW REF. 740.200
↑		X1	GDW REF. 912.003
↑		X1	GDW REF. 740.112
↑		X1	GDW REF. 740.111
↑		X1	GDW REF. 740.114
↑		X1	GDW REF. 718.15.001
↑		X1	GDW REF. SYST60-10
↑		X3	DIN931-M12 X 110
↑		X3	DIN128A-M12
↑		X6	DIN125A-M12
↑		X3	DIN934-M12

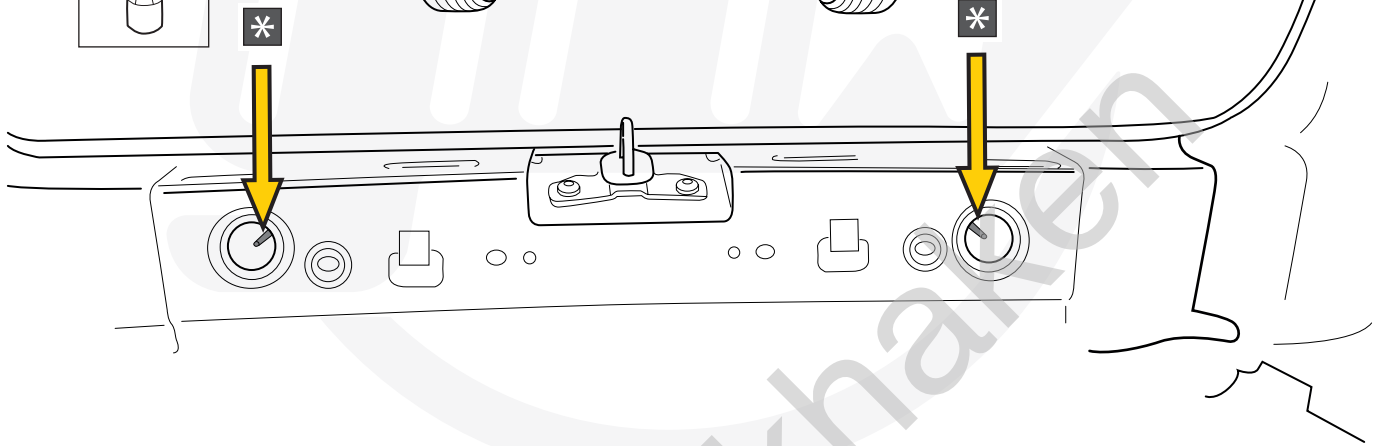
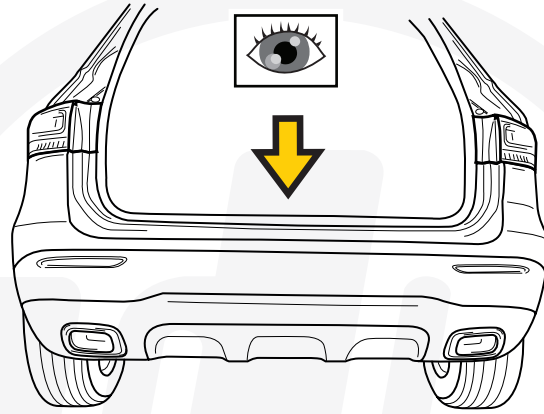
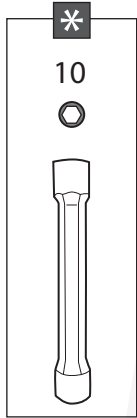
1



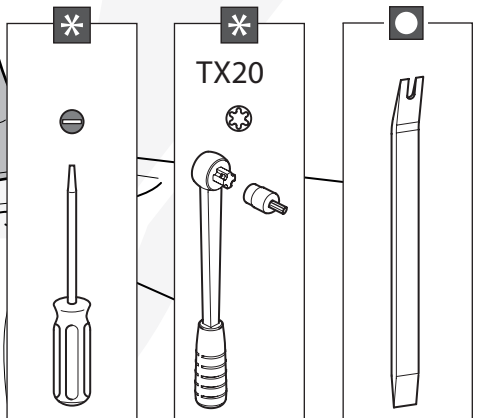
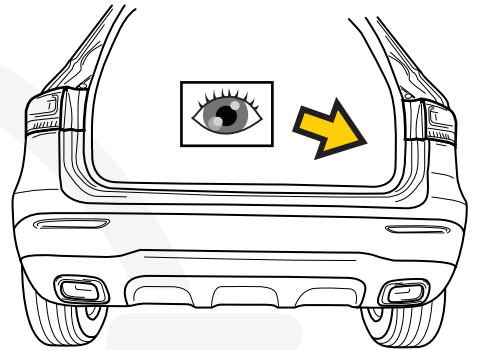
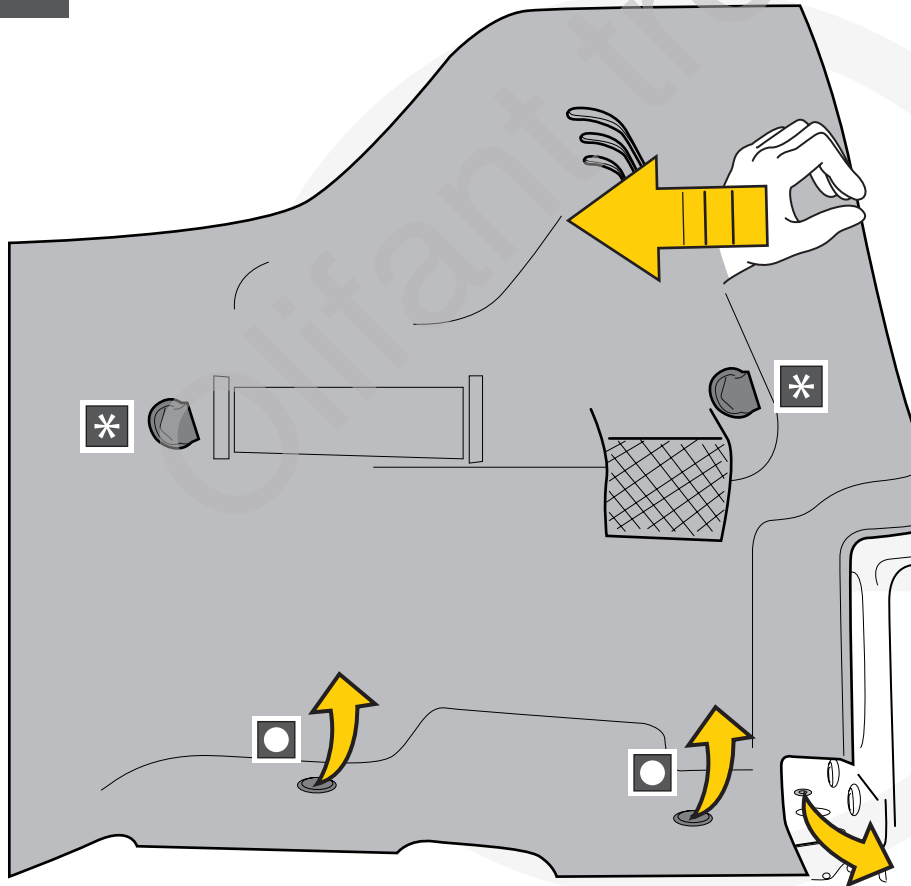
2



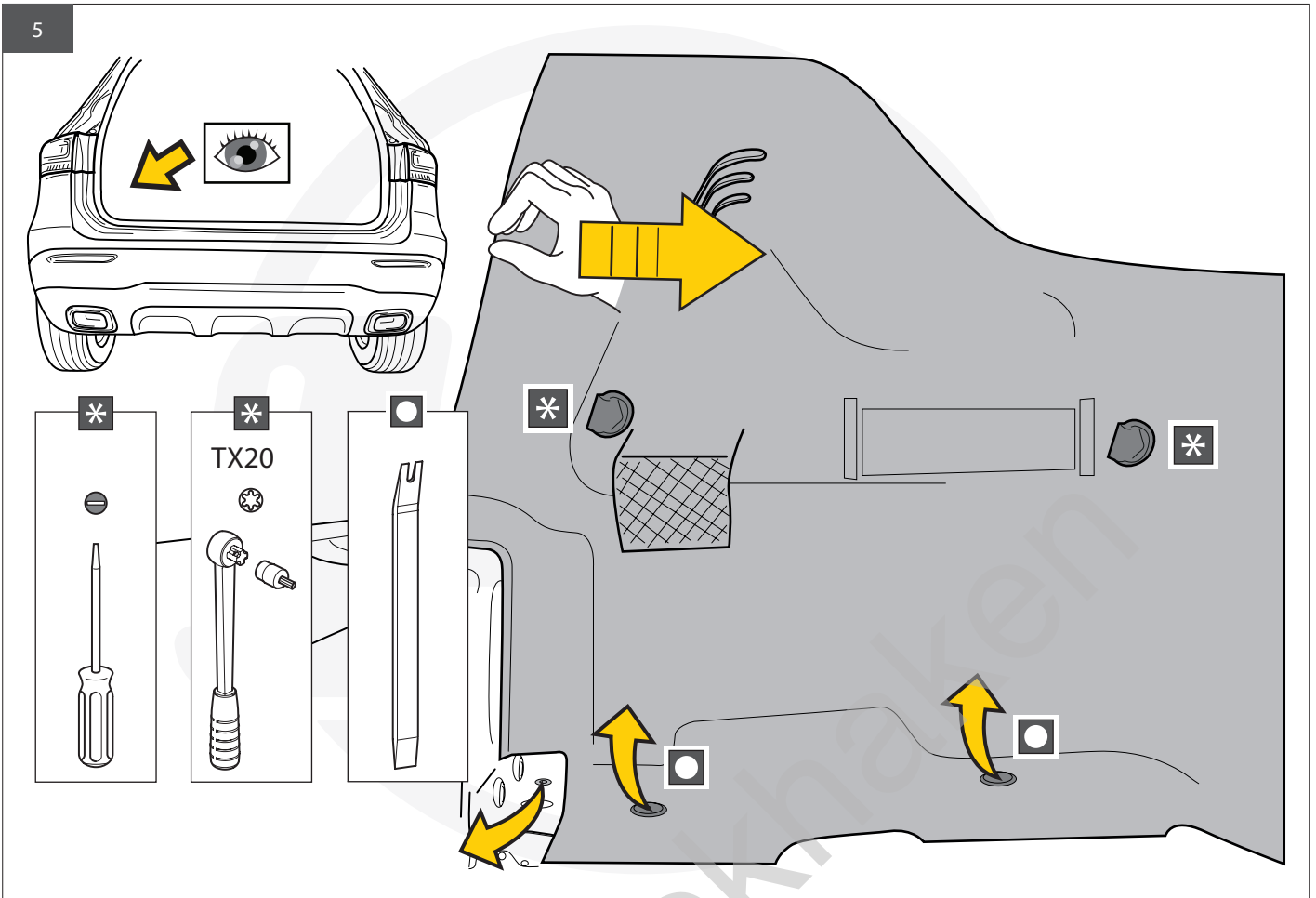
3



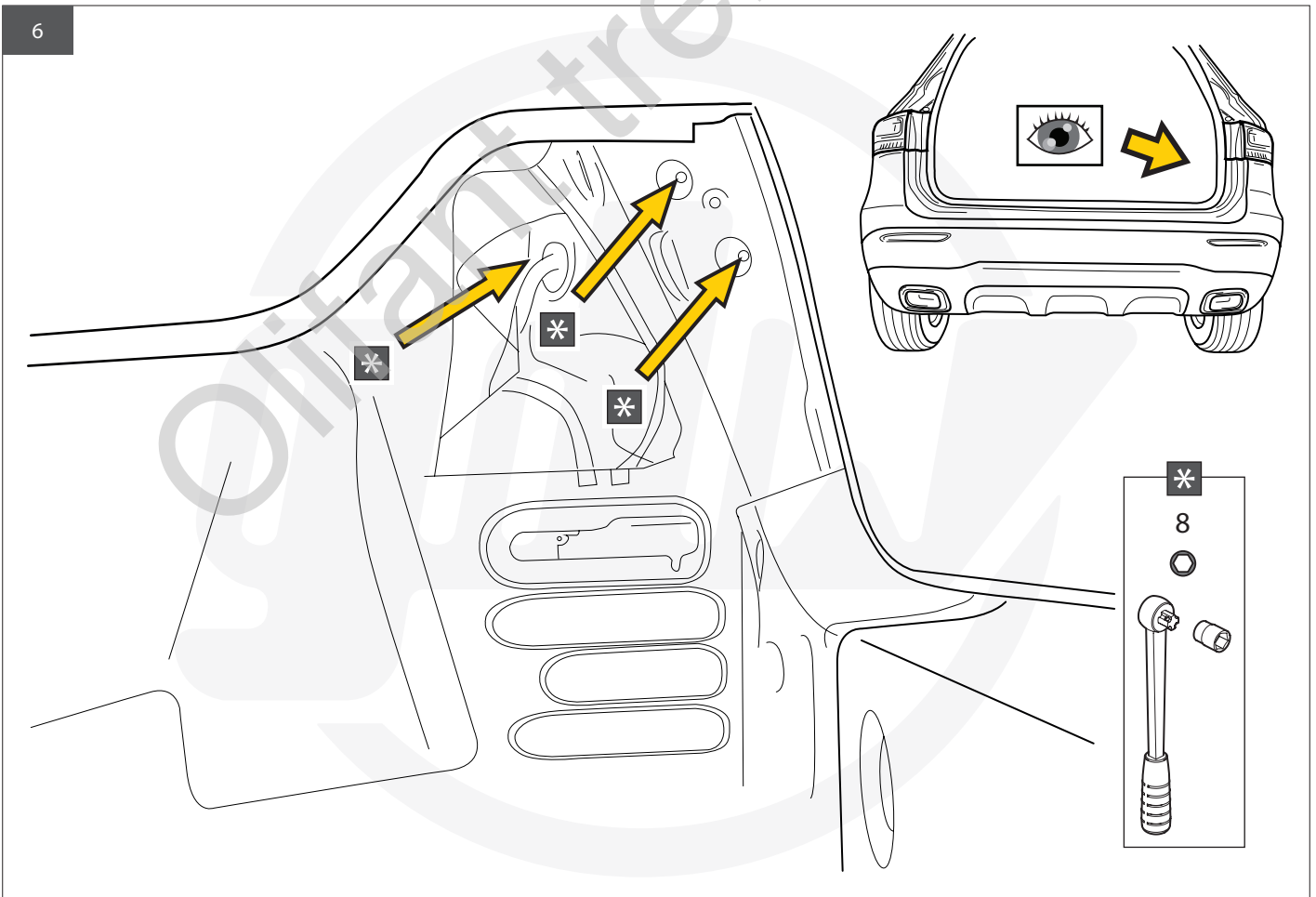
4



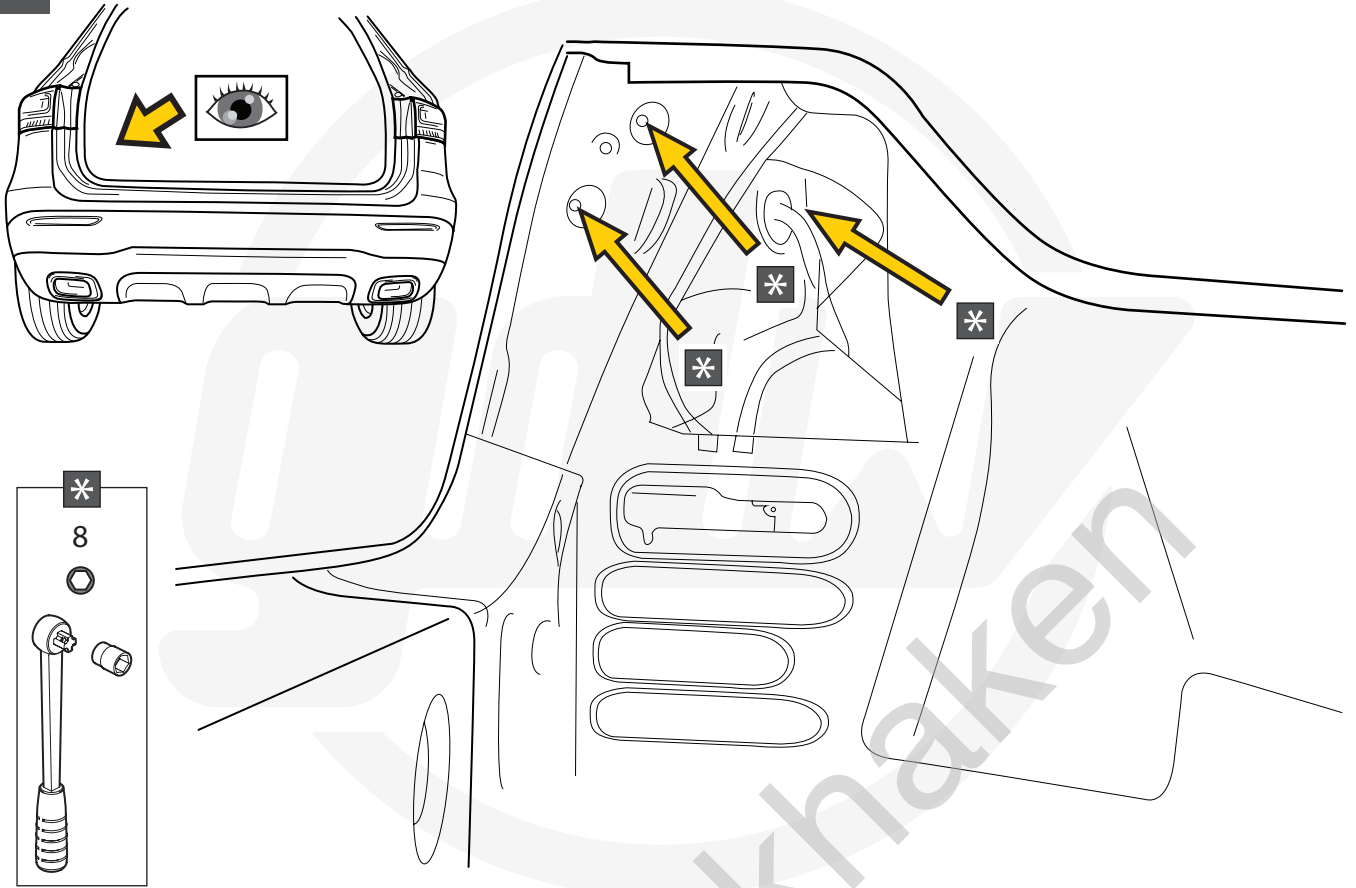
5



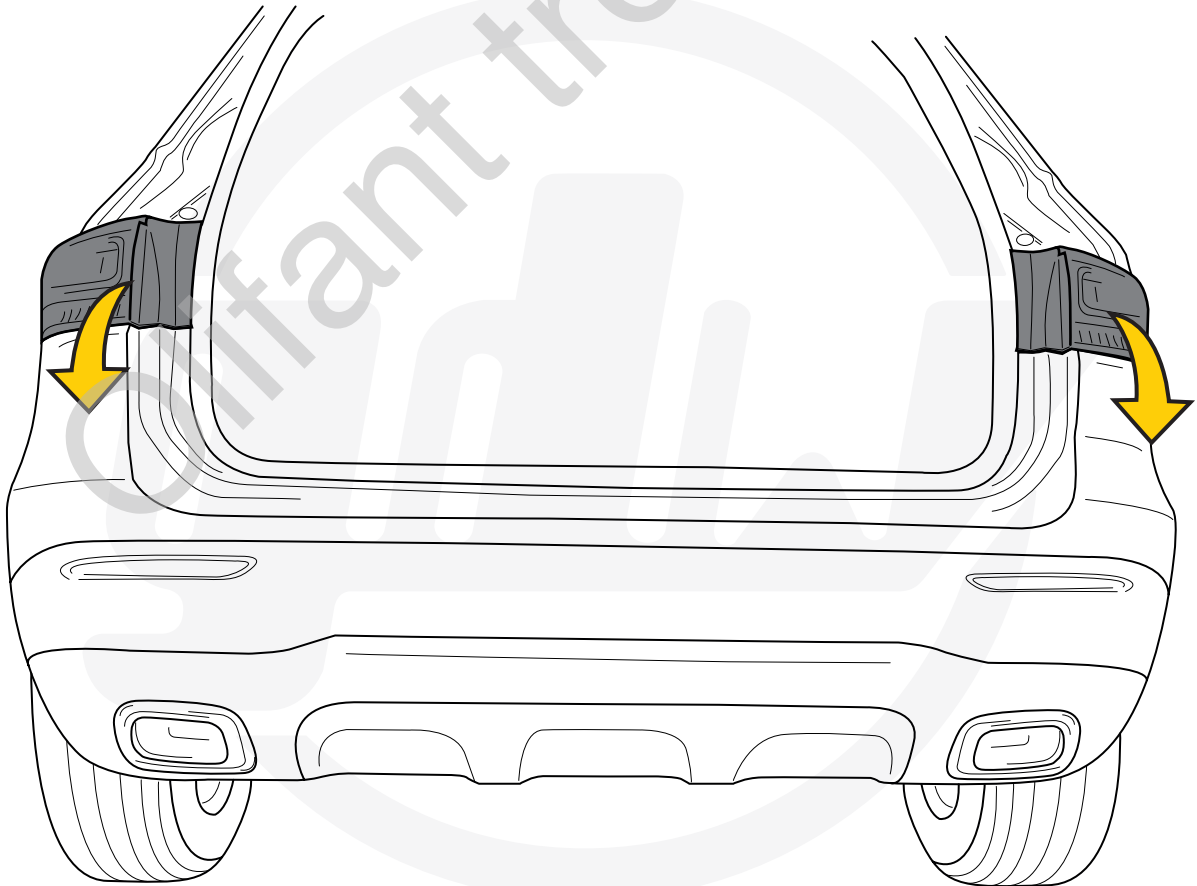
6

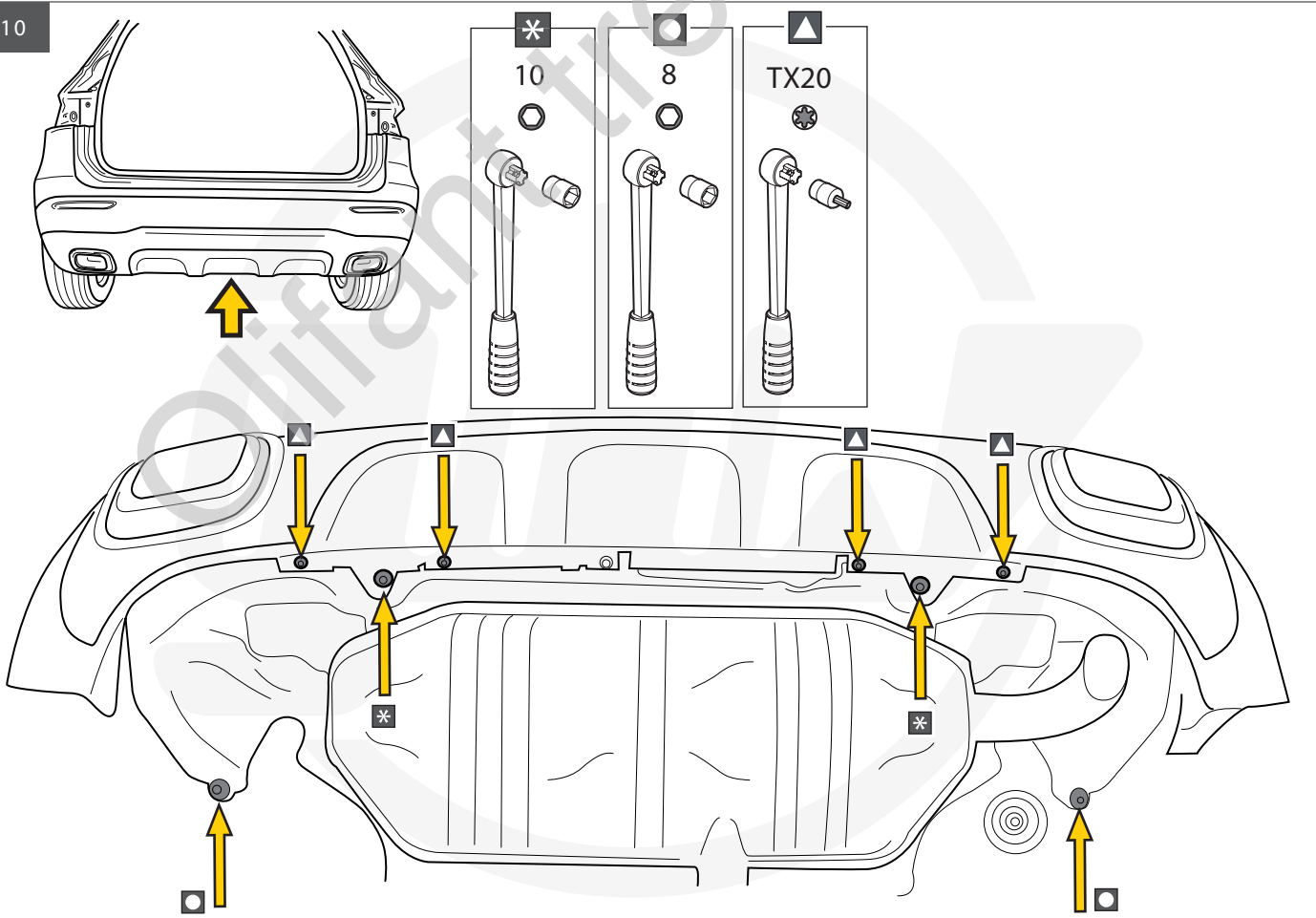
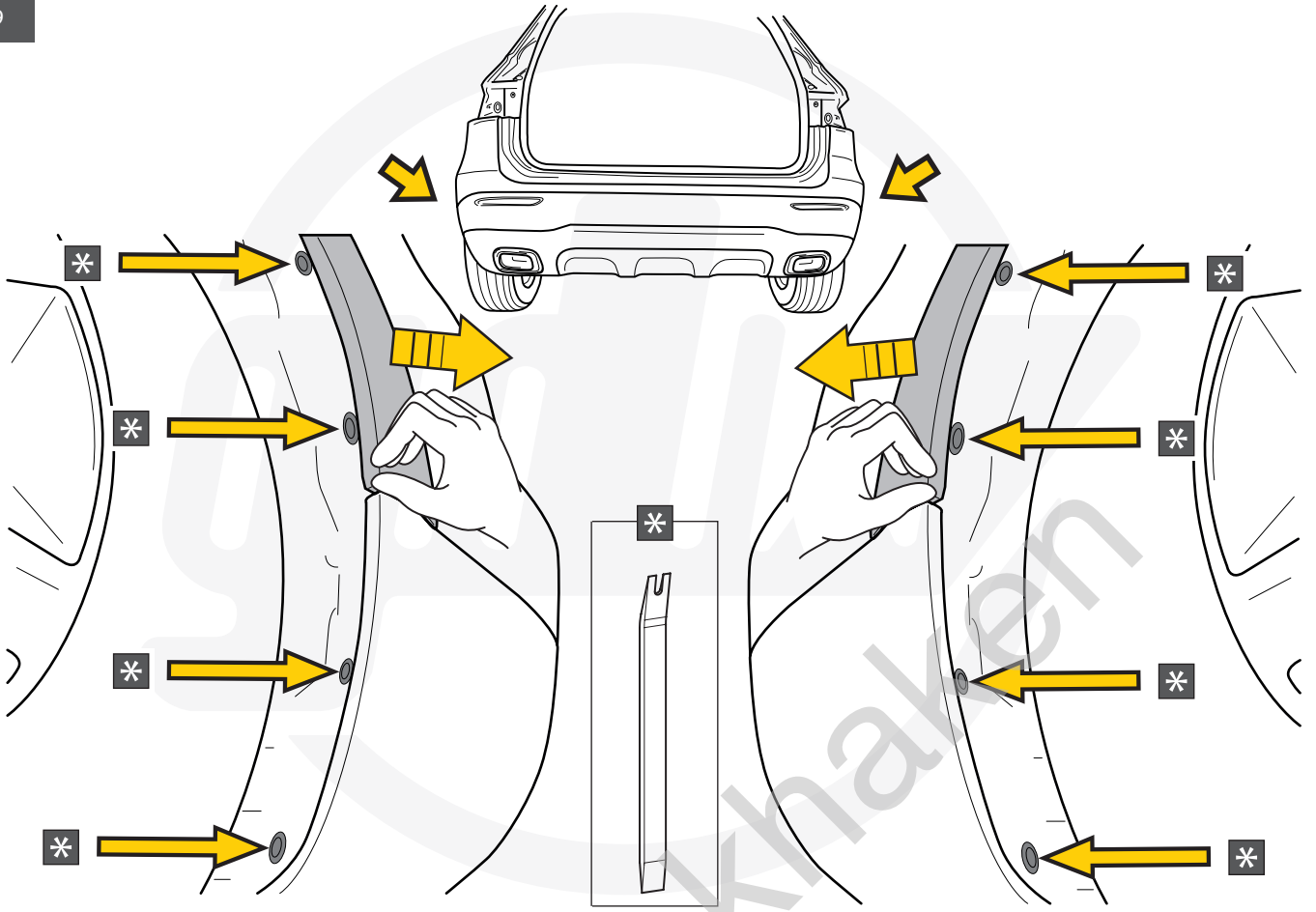


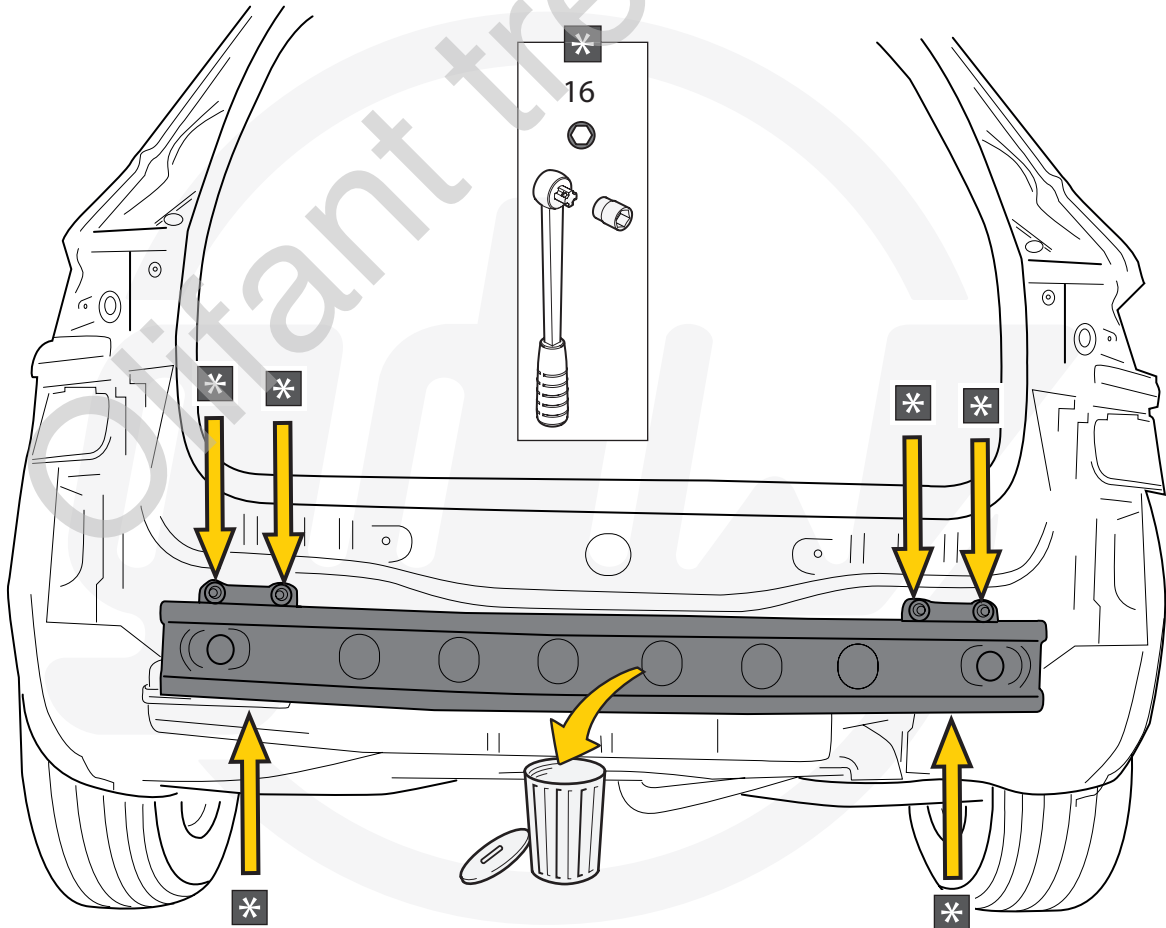
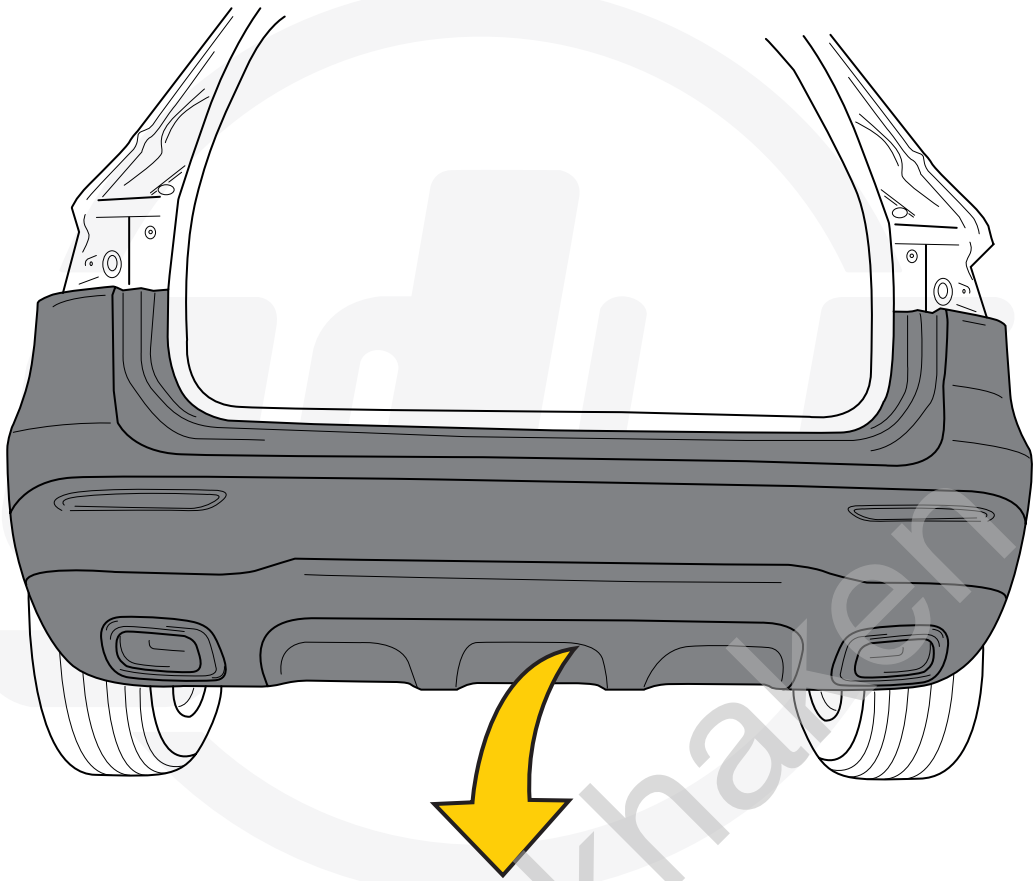
7

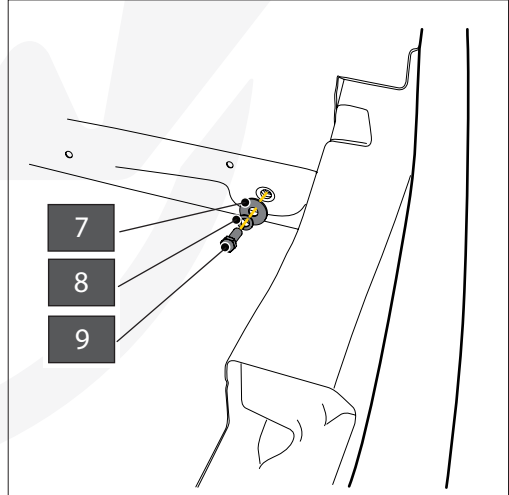
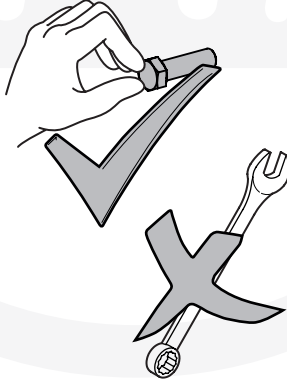
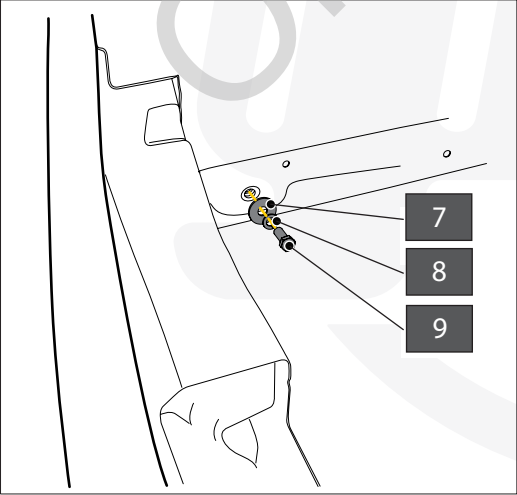
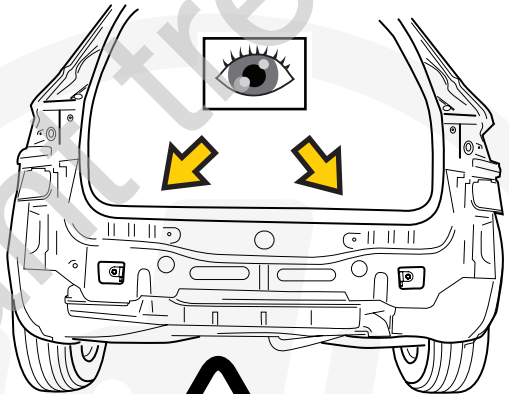
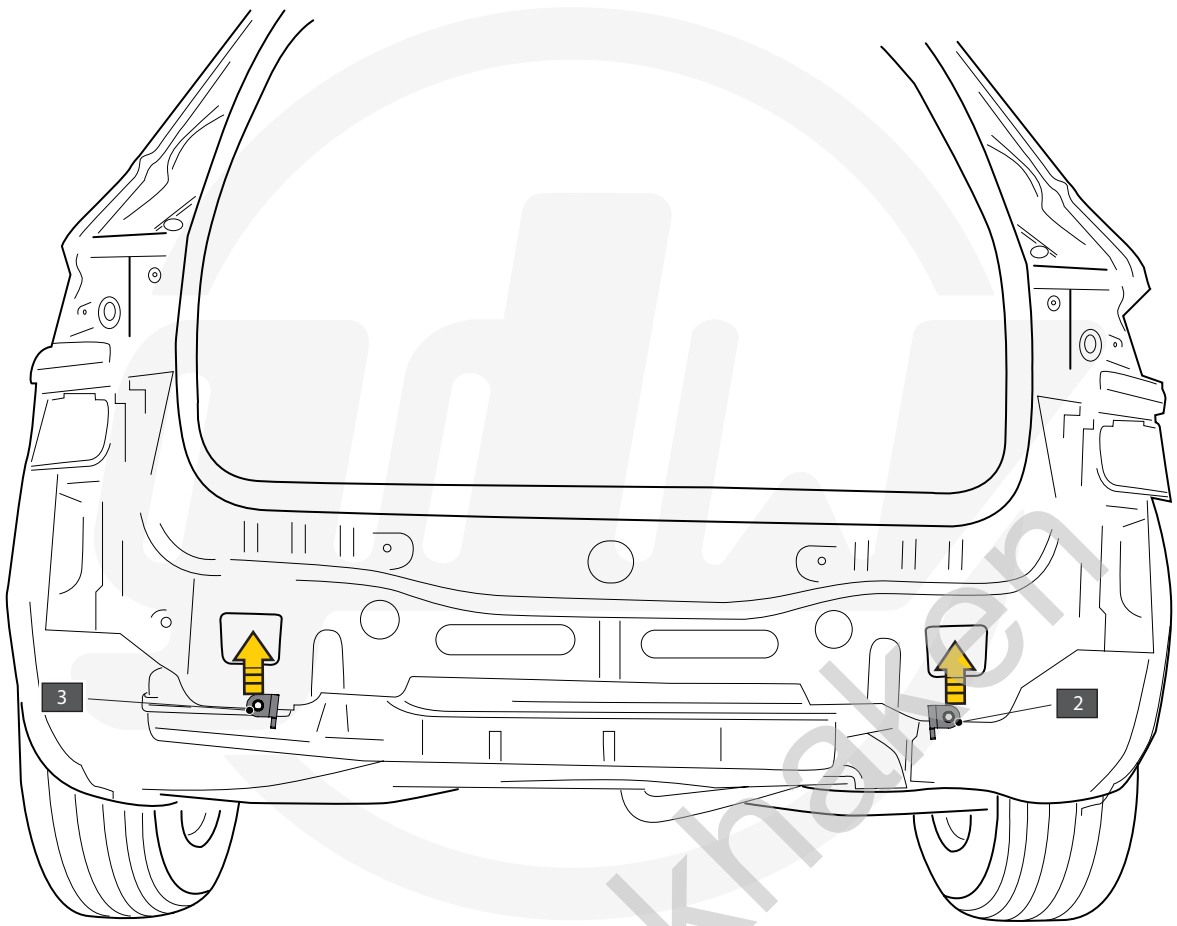


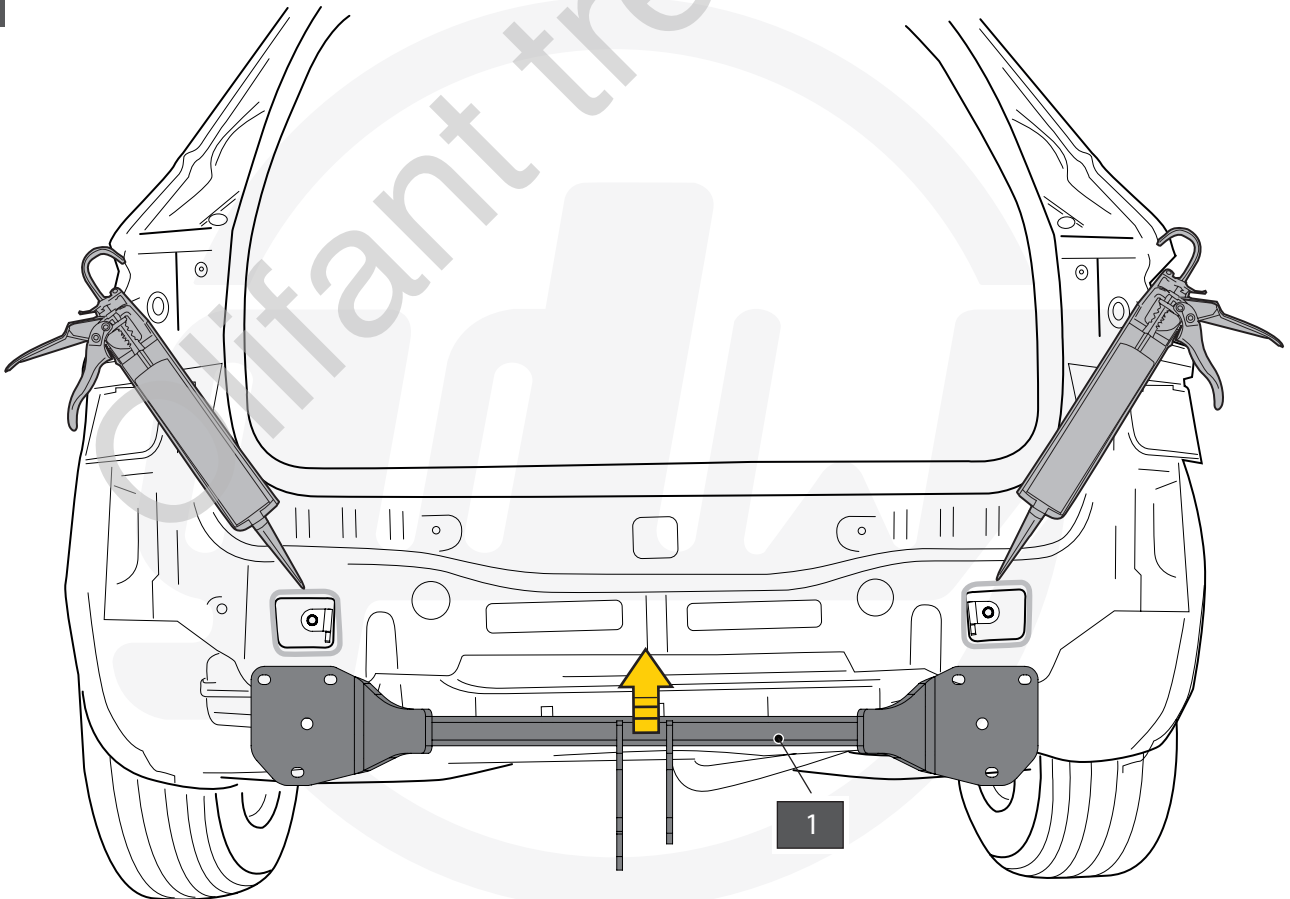
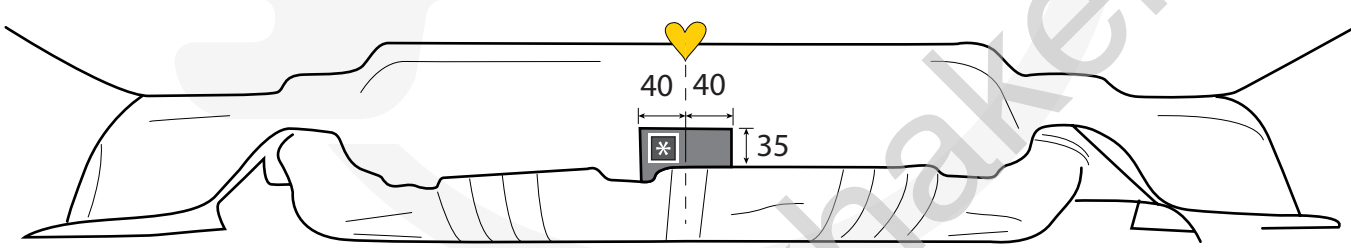
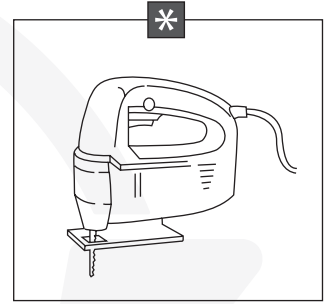
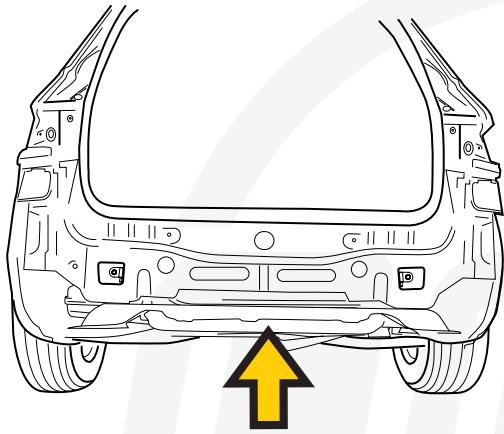
8

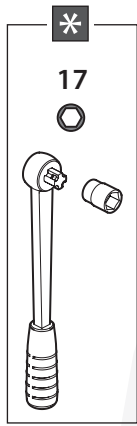




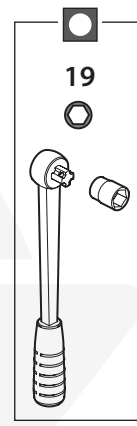




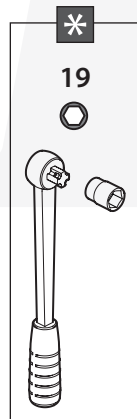
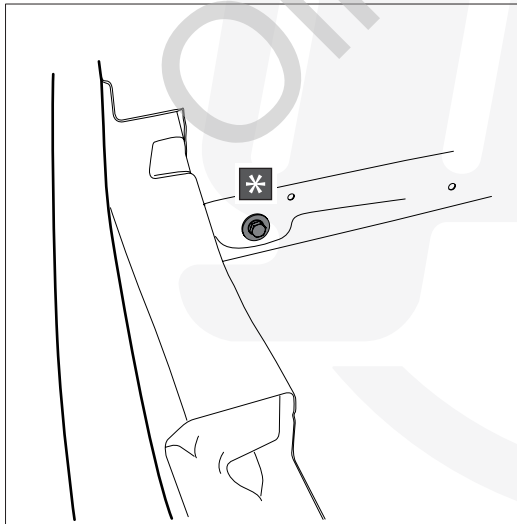
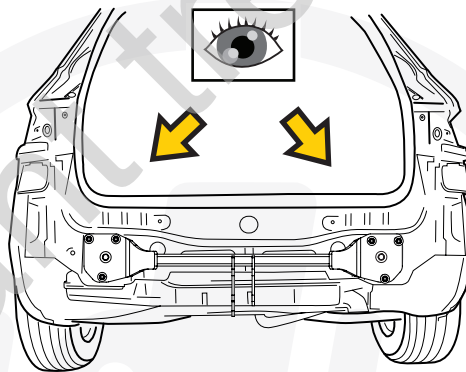
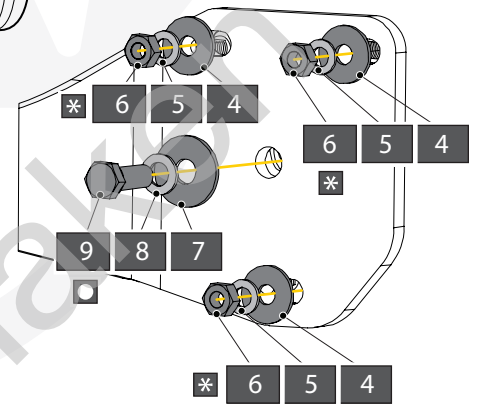
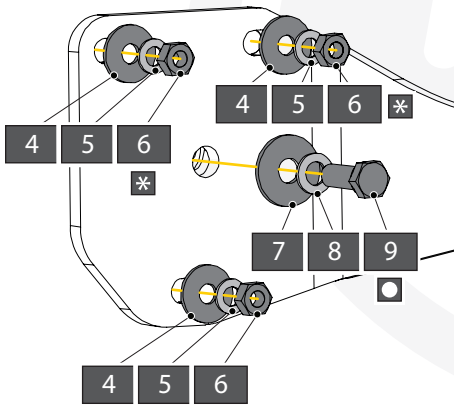
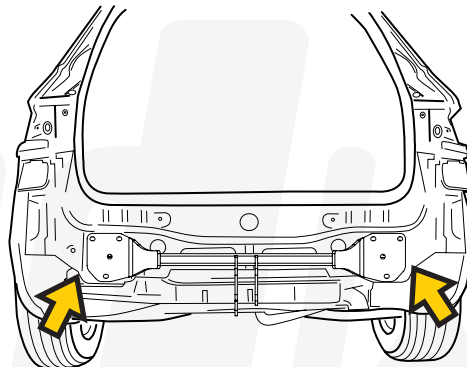




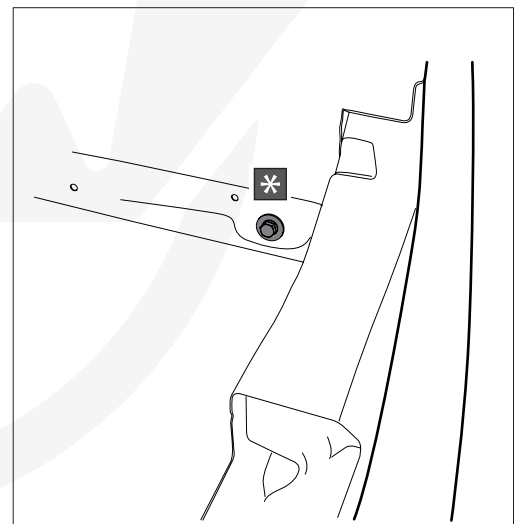
54,0 Nm



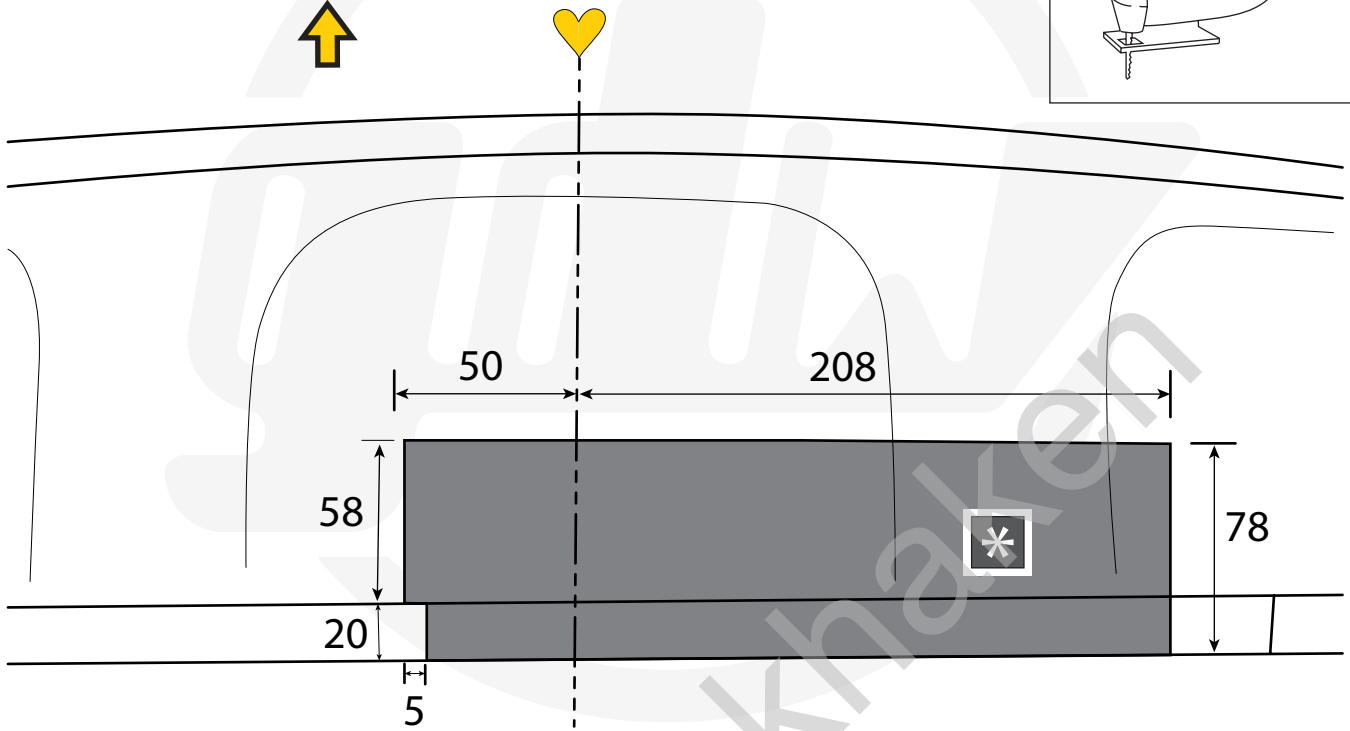
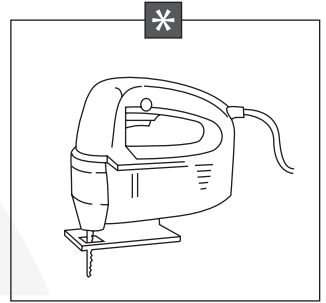
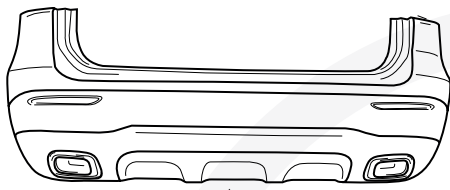
93,0 Nm



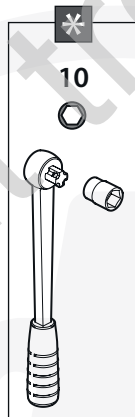
93,0 Nm



19



20



- | | | |
|---|--|------------------------------|
| A | | X1 GDW REF. 908.101 |
| B | | X1 DIN985-M6 |
| C | | X2 Ø15,4 X 6,2 X 1,6 (NYLON) |
| D | | X1 GDW REF. 718.16.002 |
| E | | X1 GDW REF. 718.16.003 |
| F | | X1 DIN933-M6 X 30 |
| G | | X1 GDW REF. 908.094 |

