



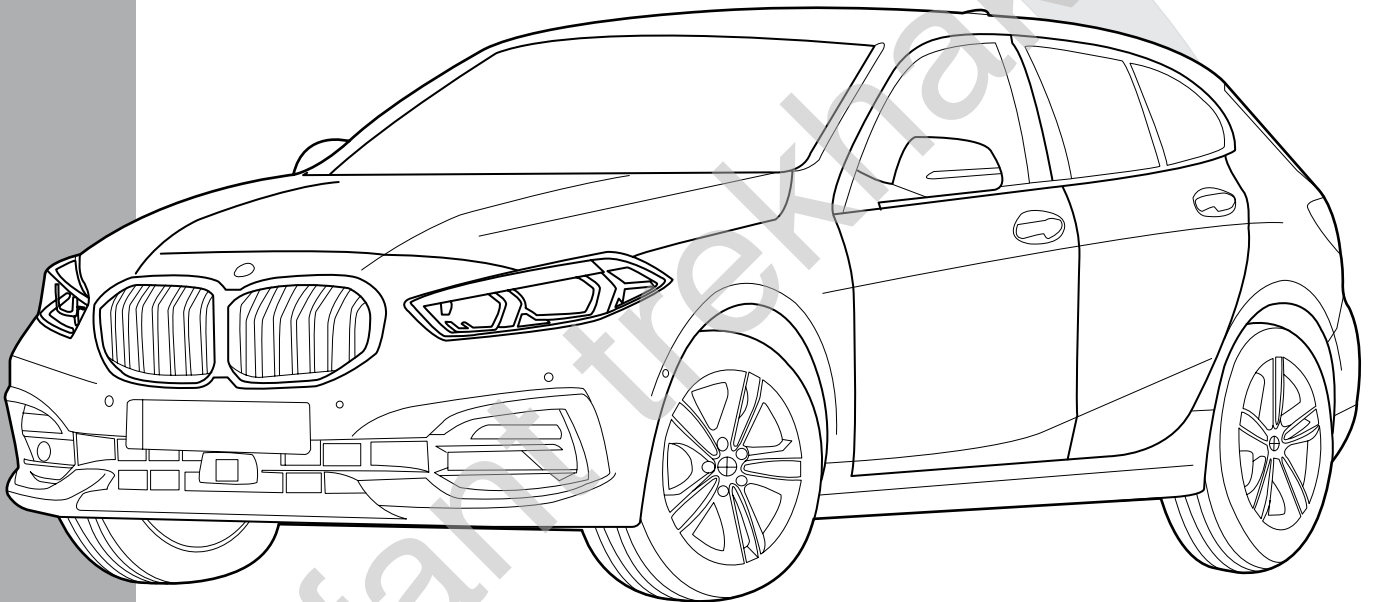
TREKHAKEN • ATTELAGES • ANHÄNGERVORRICHTUNGEN • TOWBARS • ENHANCES • ANHÆNGERTRÆK
Montagehandleiding | instructions de montage | Einbauanleitung | Mounting instruction
Instrucciones de montaje | monteringsvejledning




BMW 1 (type F40)

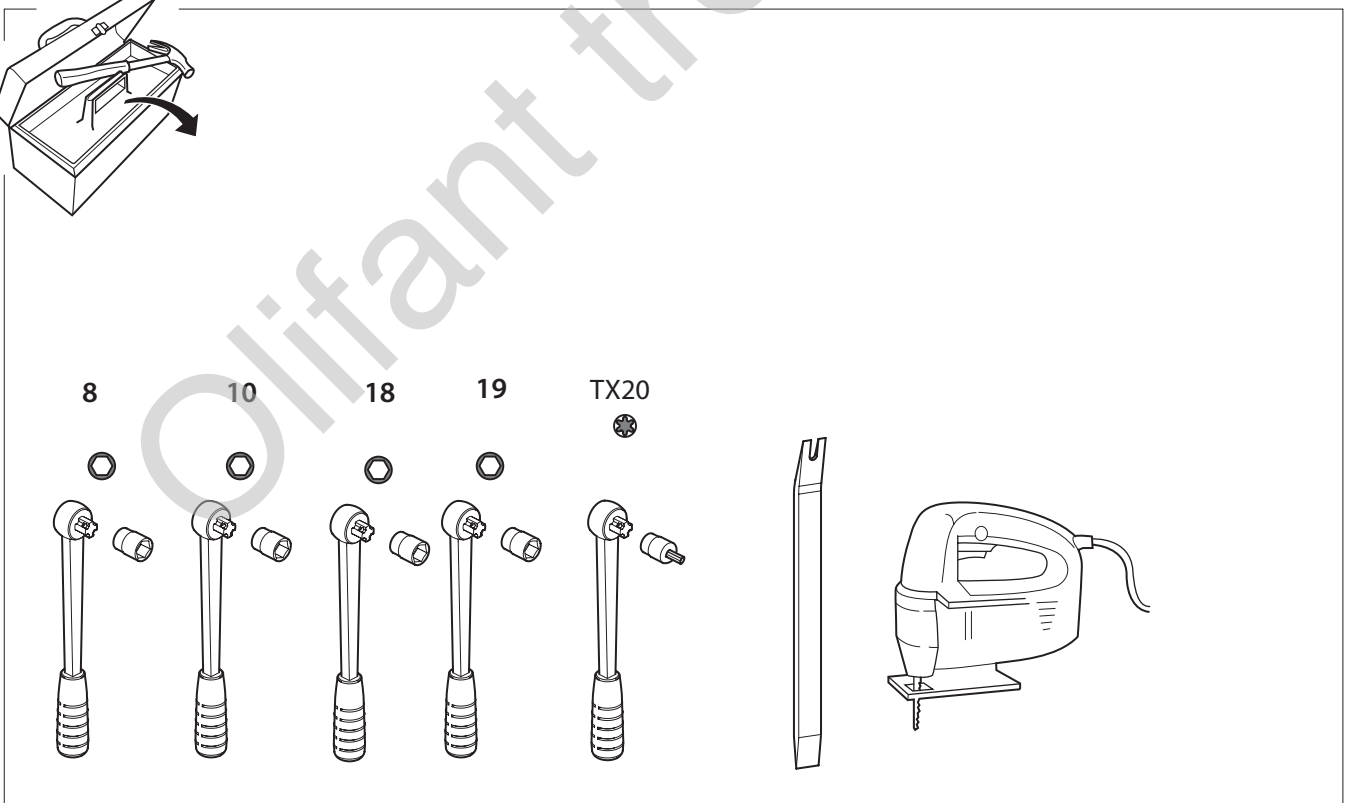
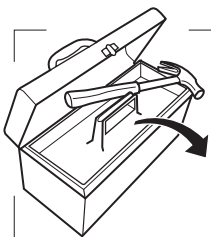
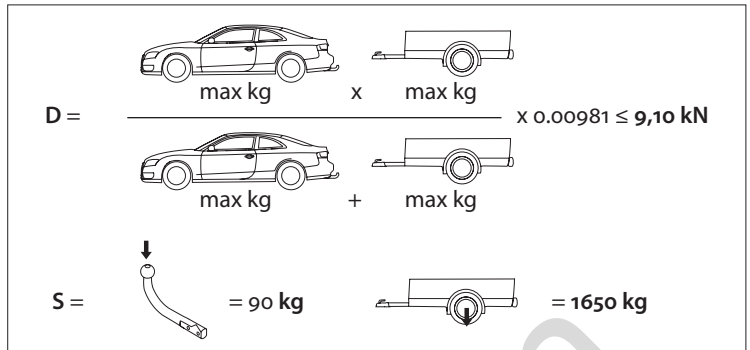
07/'19 -

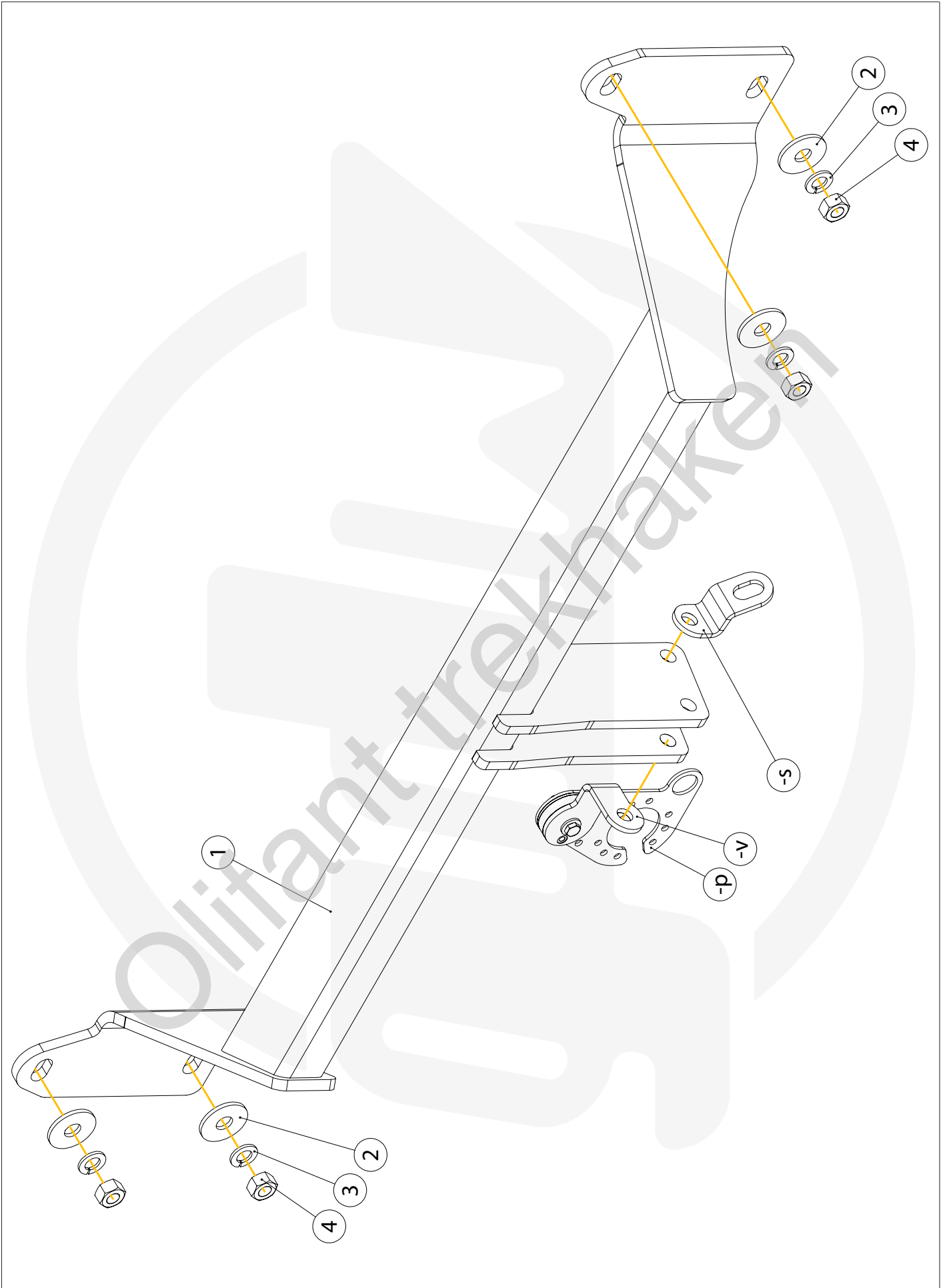
- STANDARD
- M-PACKAGE

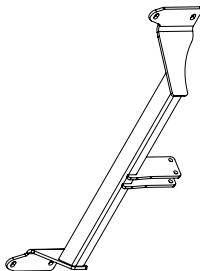



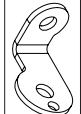



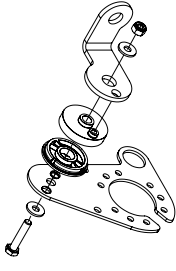


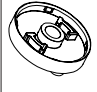

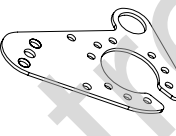


See the Certificate Of Conformity (COC) of your vehicle or contact your dealer to verify the max. trailer weight of your car!

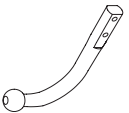
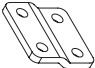

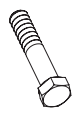
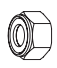
MADE BY 	D 9,10	F	E6
BELGIUM	S 90	EC APPROVAL N° 55R-011558	
REF N° 2405	SERIE N° XXXX		
OMSCHRIJVING BMW 1 (type F40) 07/'19 -			



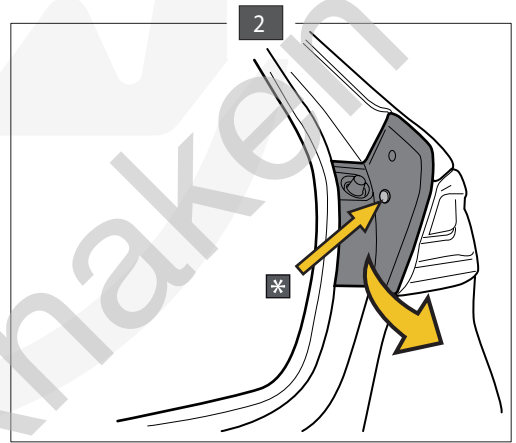
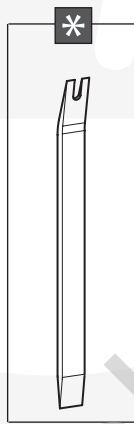
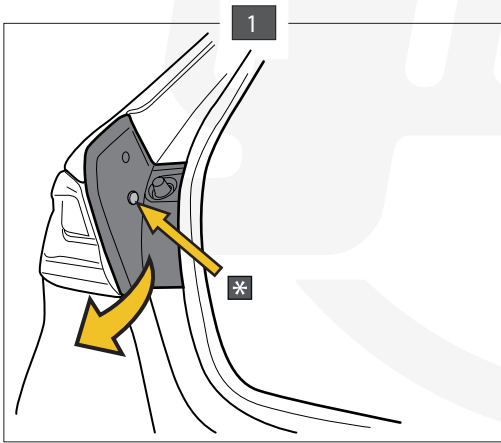
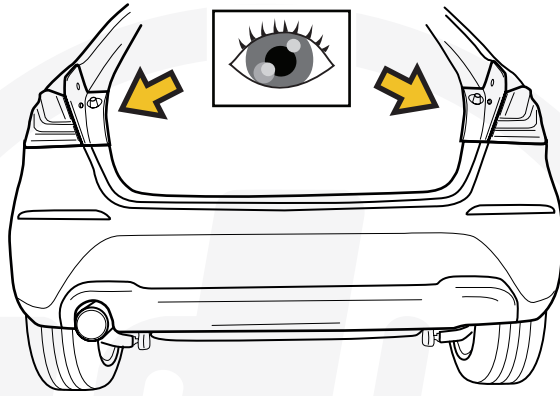


1		X1	GDW REF. 2405
2		X4	DIN9021-M12-ELVZ
3		X4	DIN128A-M12
4		X4	DIN934-M12 X 1,5
-V		X1	GDW REF. 908.095
-S		X1	GDW REF. 900.053

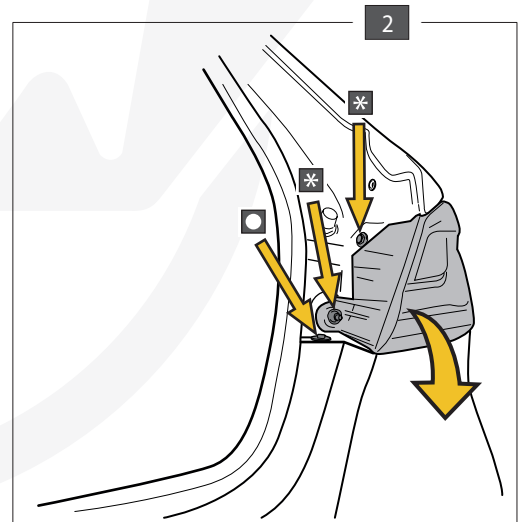
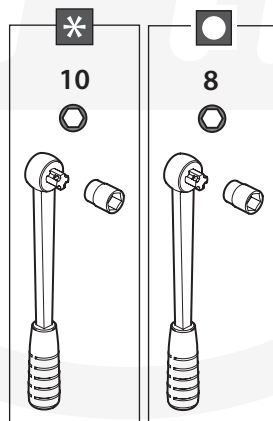
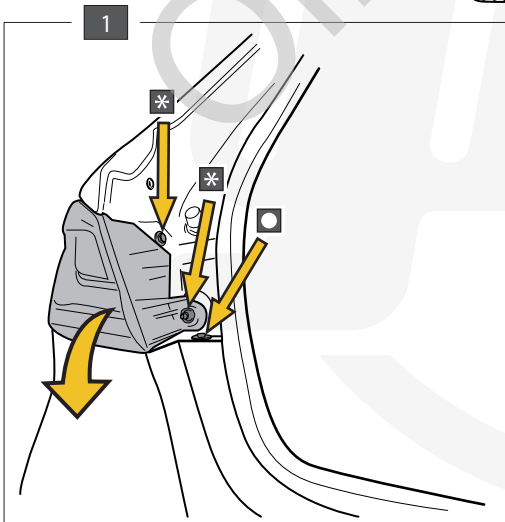
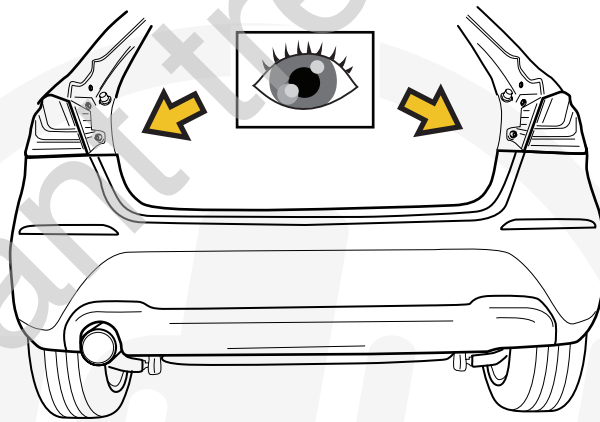
-P		X1	GDW REF. P39
↑		X1	DIN985-M6
↑		X2	6,2 X 15,4 X 1,6 (NYLON)
↑		X1	GDW REF. 718.16.002
↑		X1	GDW REF. 718.16.003
↑		X1	GDW REF. 908.094
↑		X1	DIN933-M6 X 30
↑		X1	GDW REF. 908.095

Geleverd met - Livré avec - Delivered with Geliefert mit - Elementos adjuntos-Leveres med		X1	944.M025
		X2	GDW REF. 900.008
		X2	GDW REF. 900.011 Ø 21.3 X 11.7
		X4	DIN931-M12 X 70
		X4	DIN985-M12

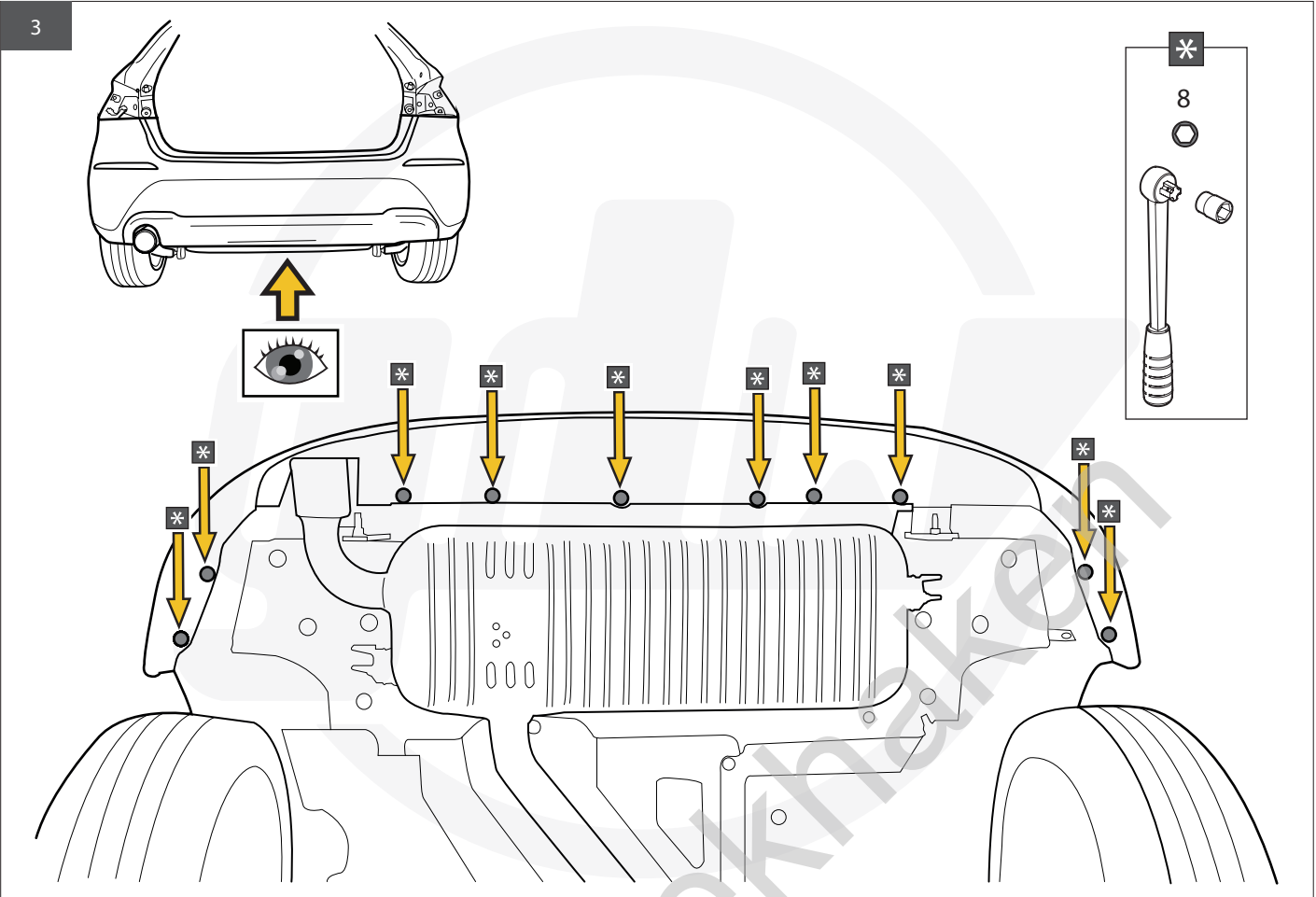
1



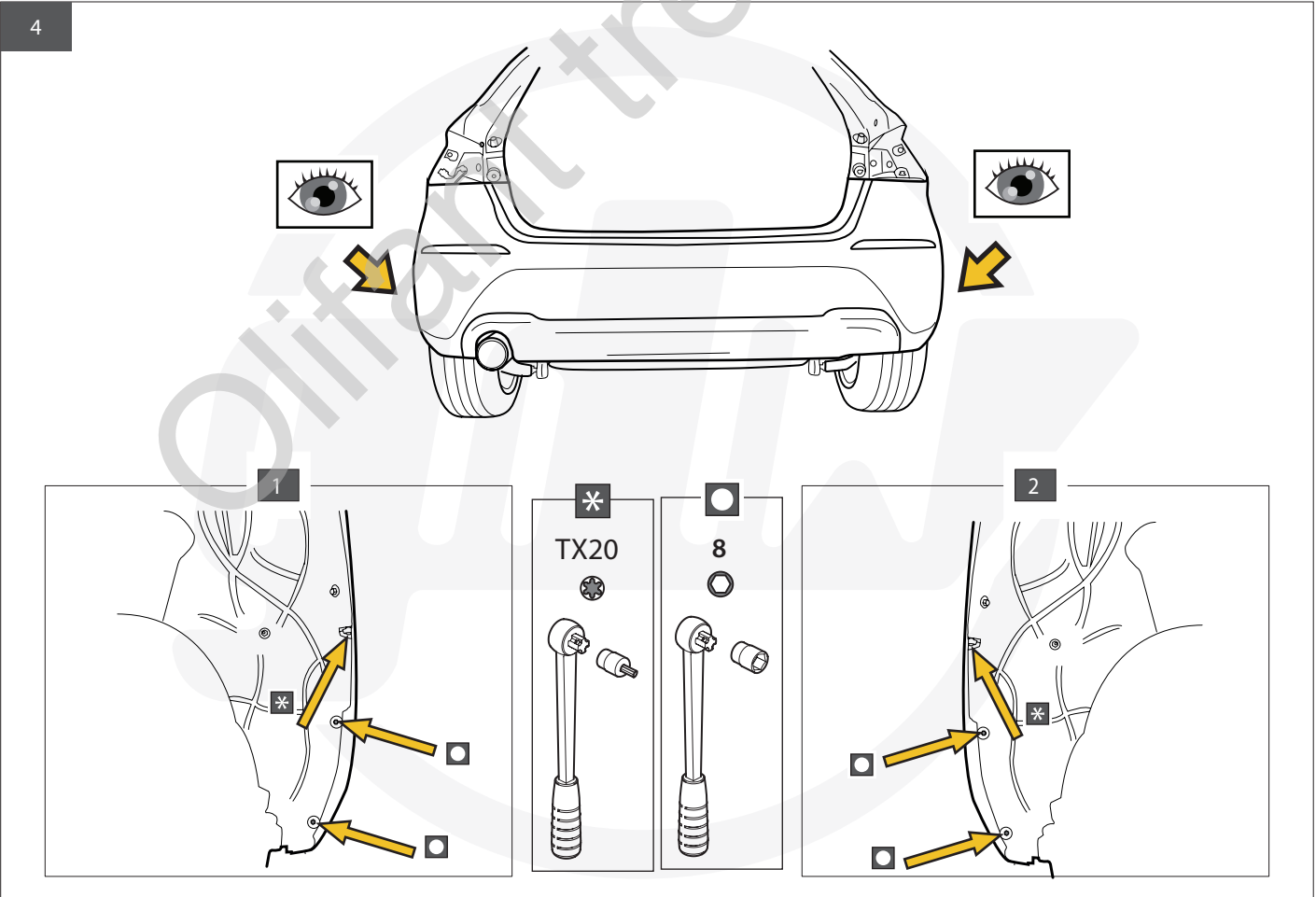
2



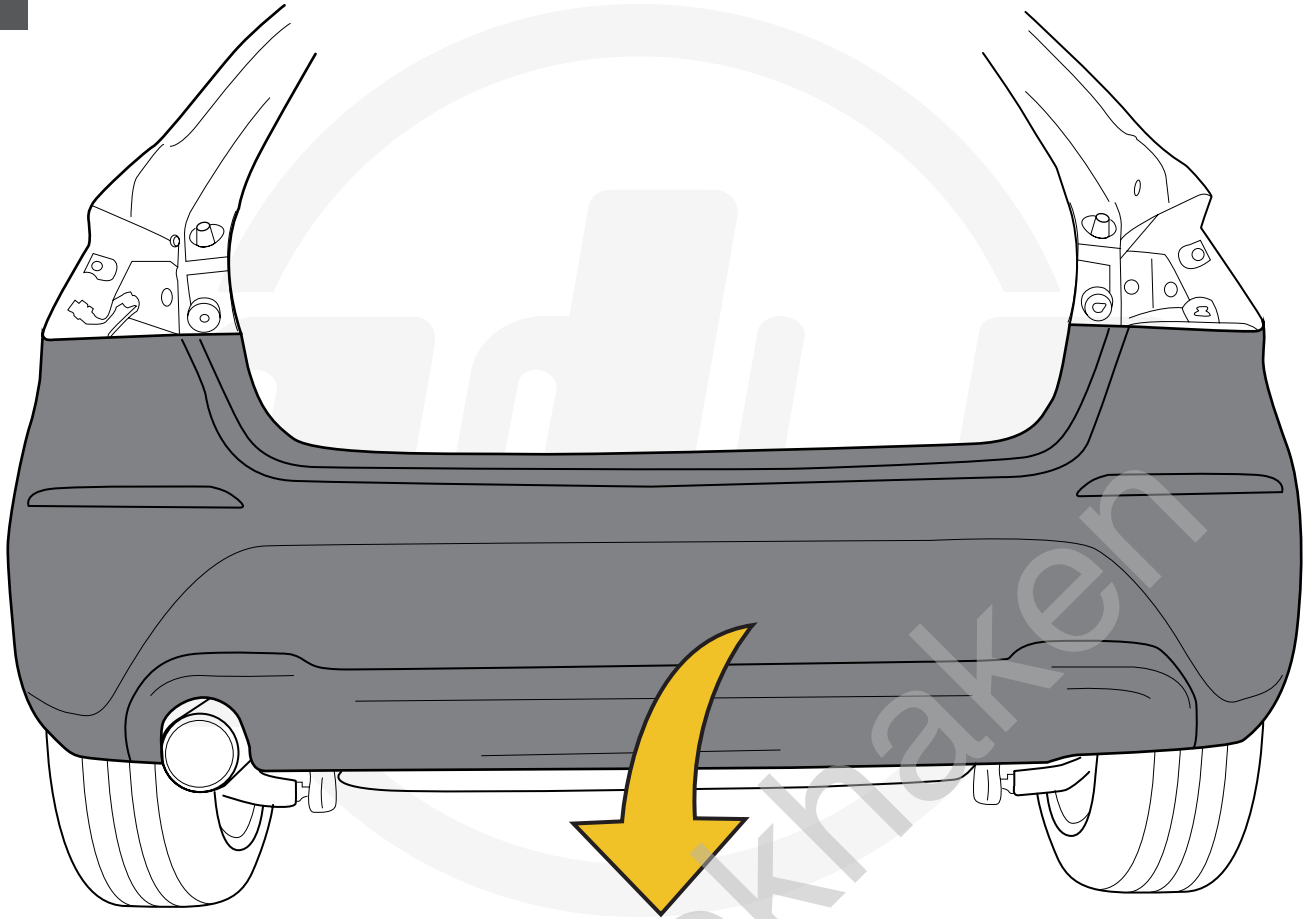
3



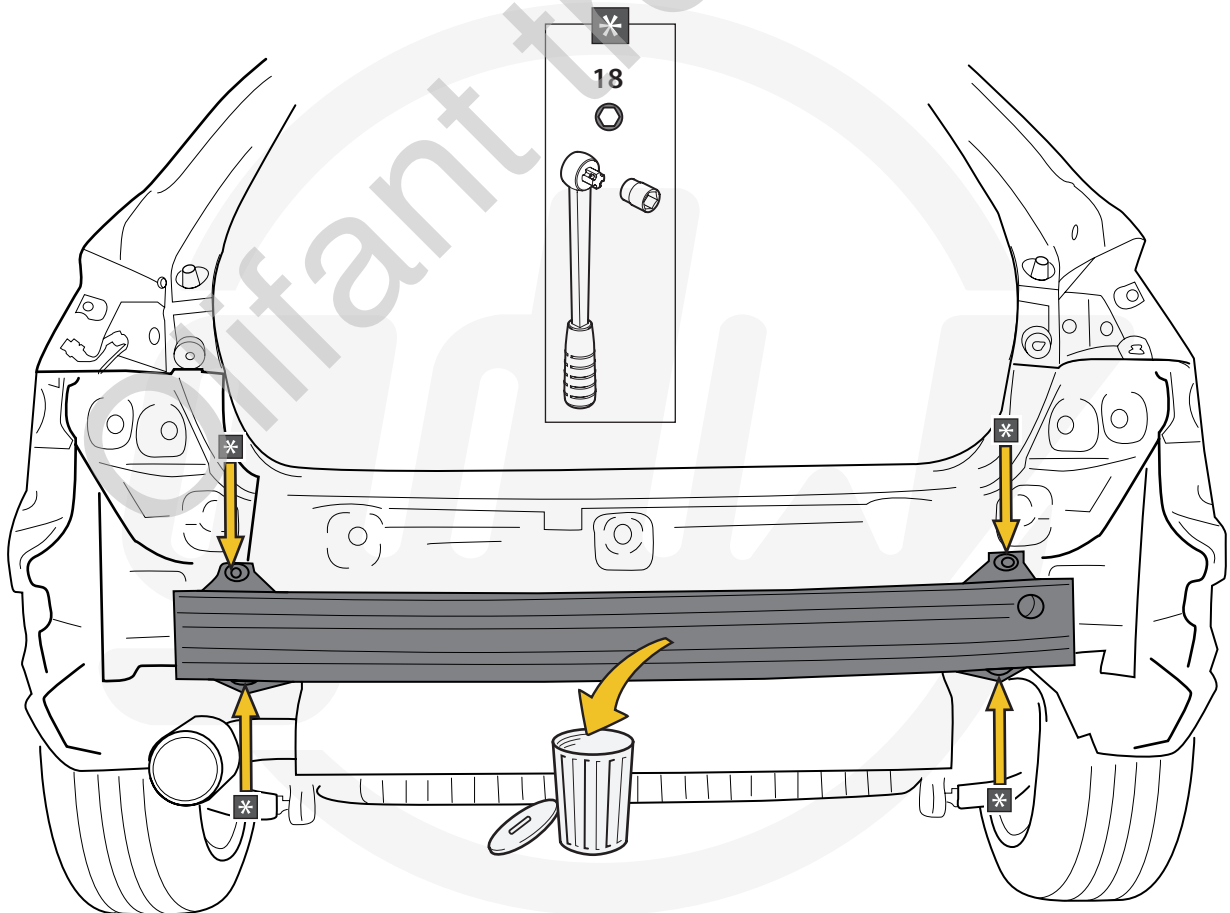
4

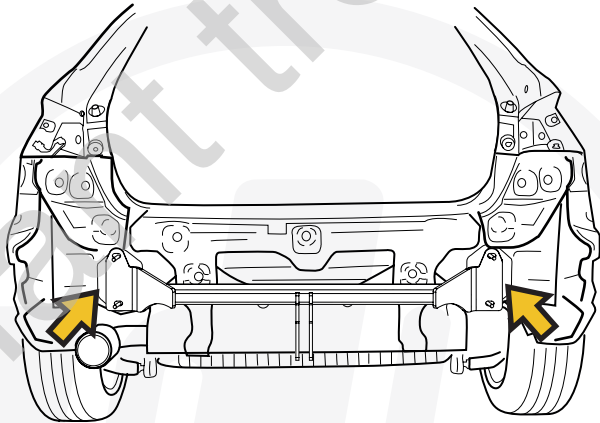
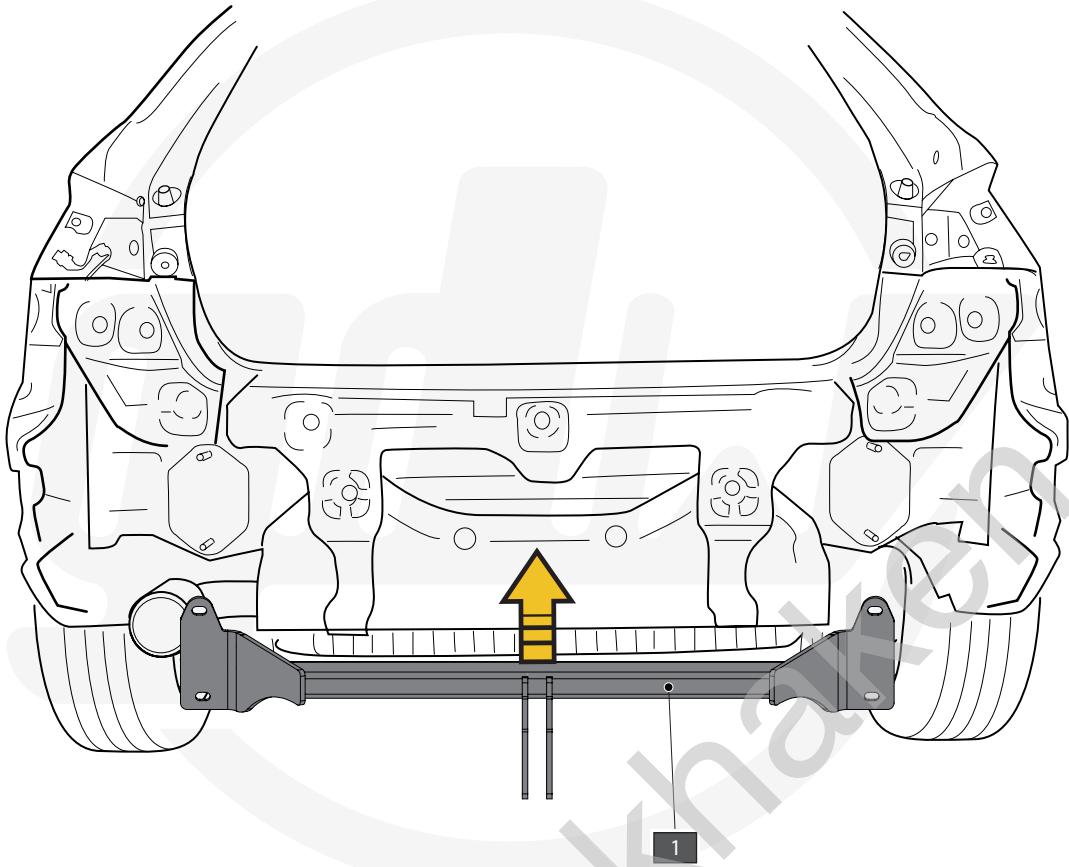


5

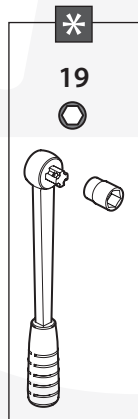
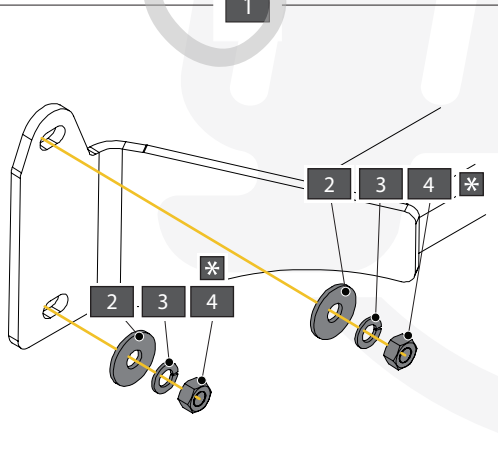


6



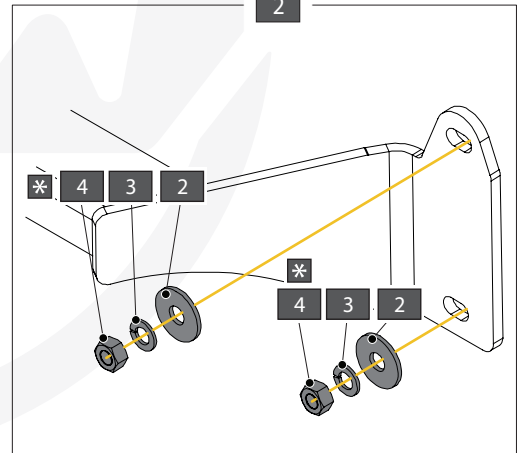


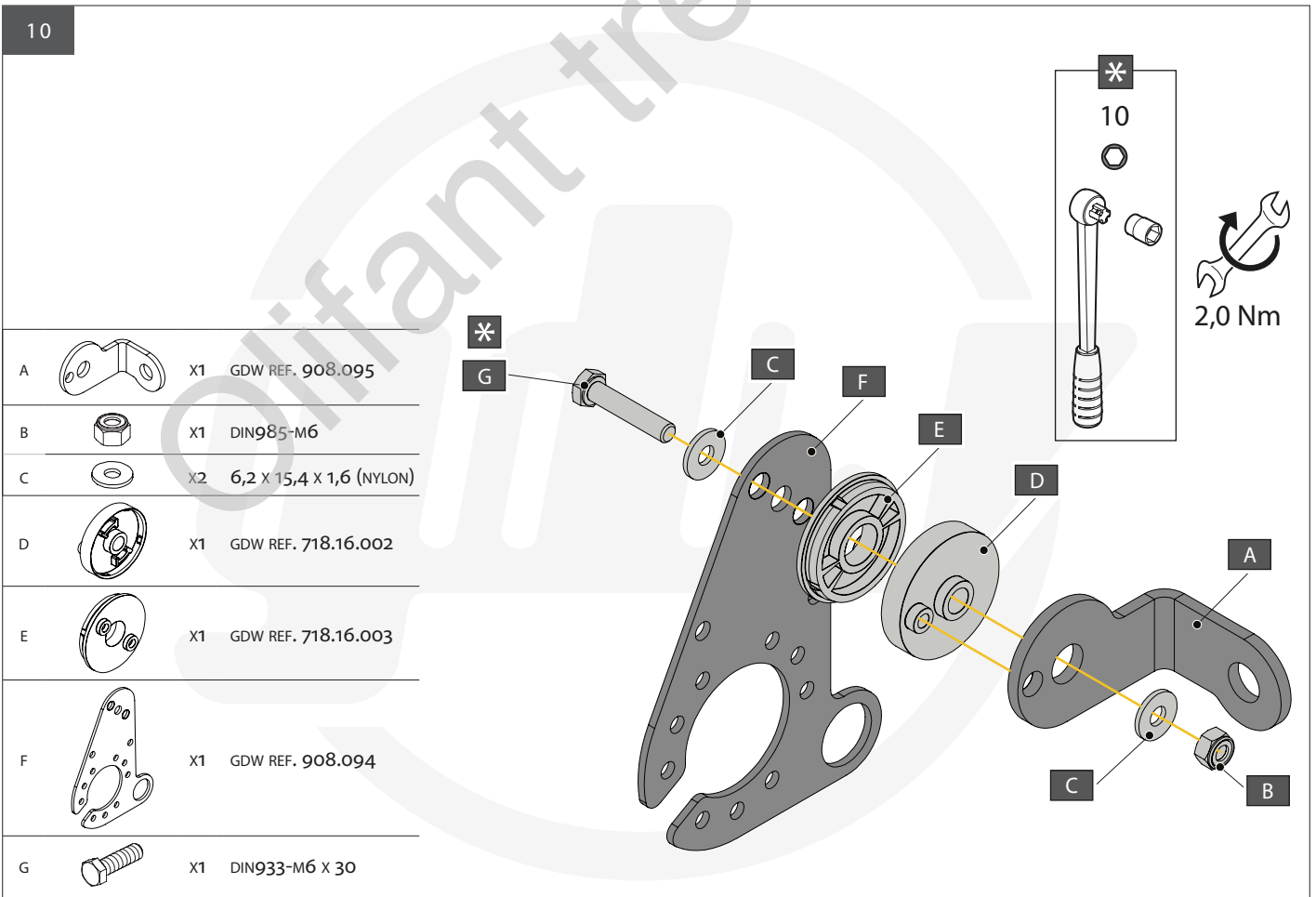
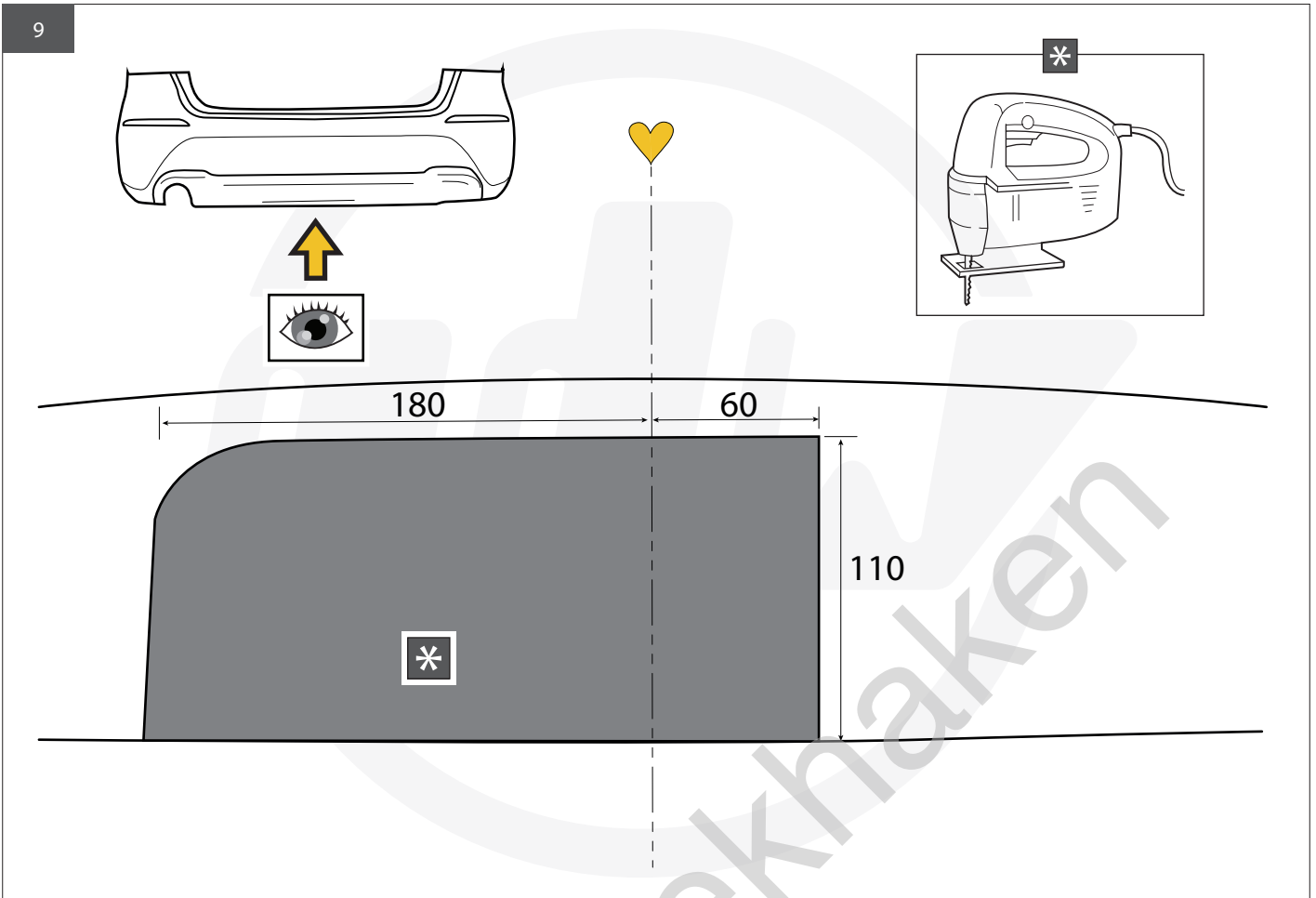
1



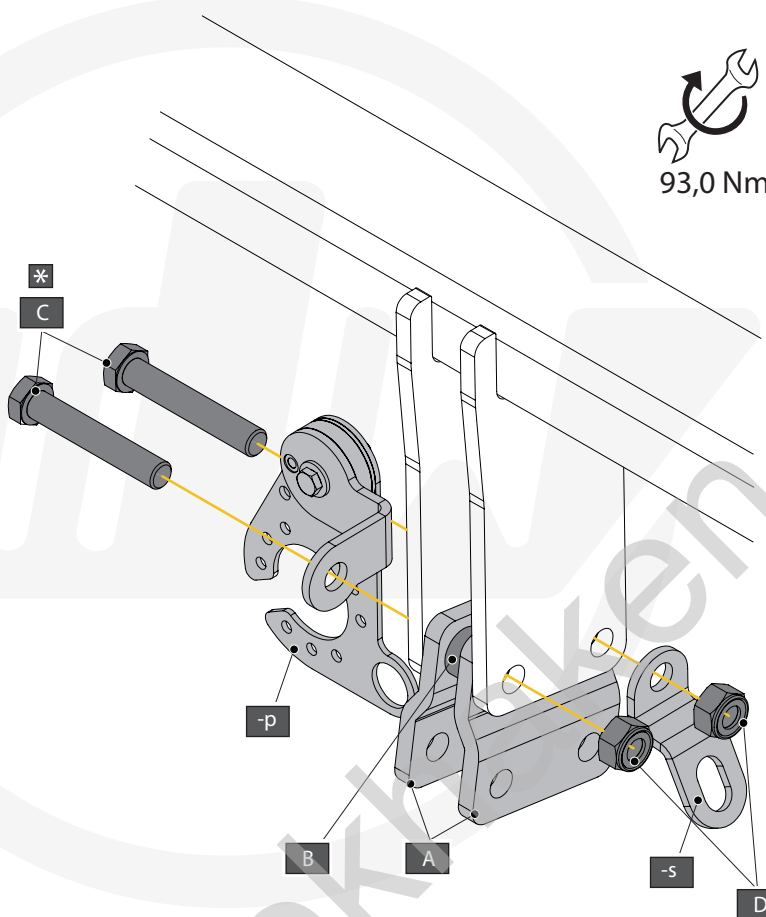
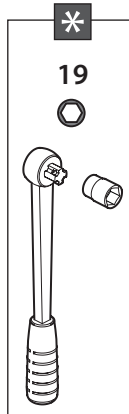

 97,0 Nm

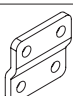
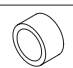
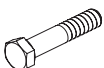


2

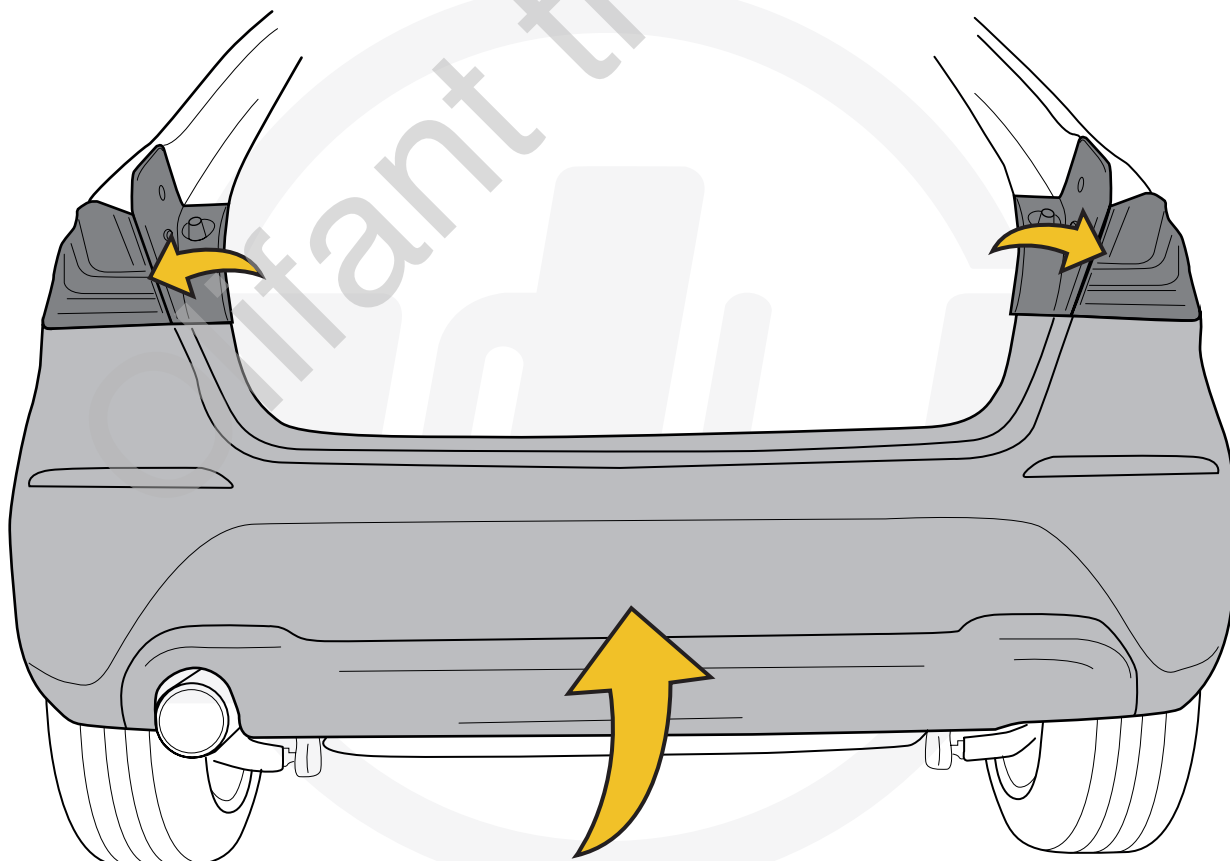


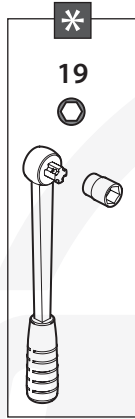



93,0 Nm

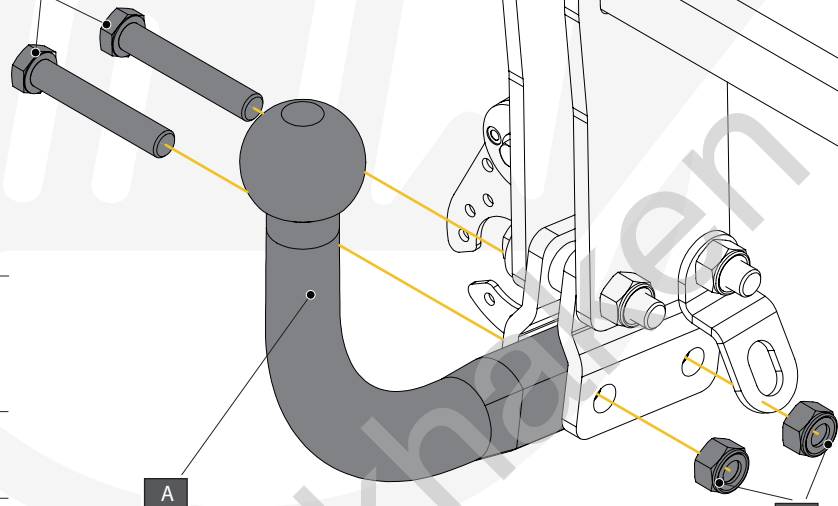


A		X2	GDW REF. 900.008
B		X2	GDW REF. 900.011 Ø 21.3 X 11.7
C		X2	DIN931-M12 X 70
D		X2	DIN985-M12
-S		X1	GDW REF. 900.053



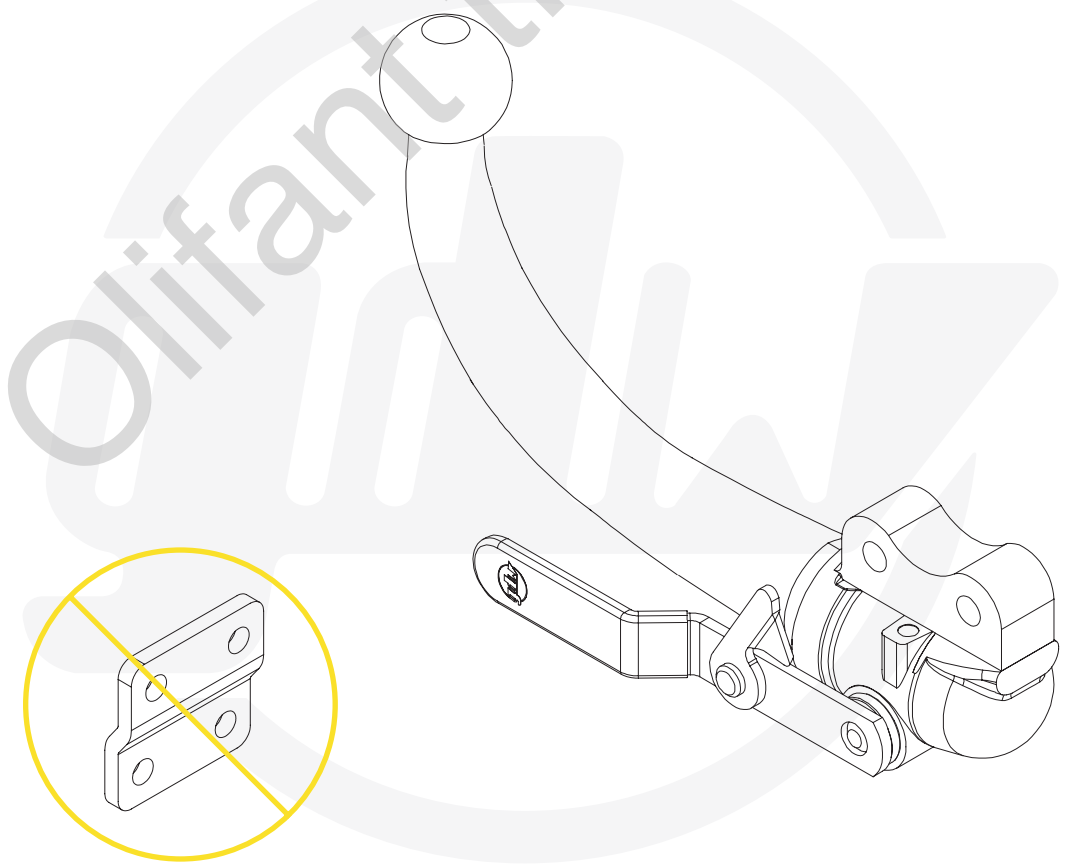


*
B

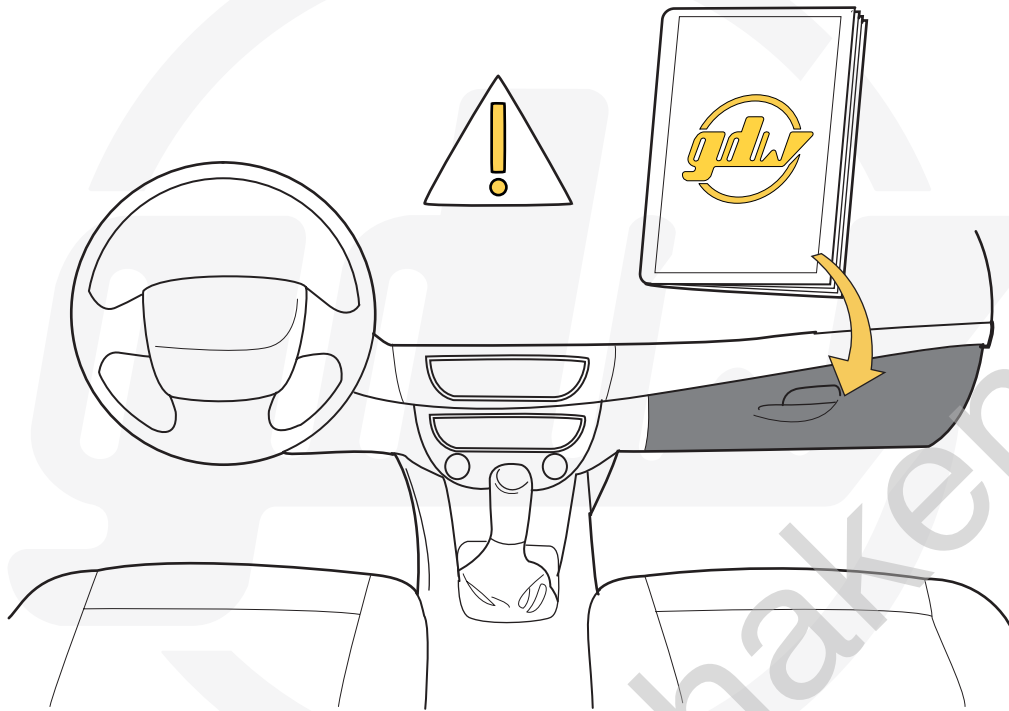


- | | | | |
|---|--|----|-----------------|
| A | | X1 | 944.M025 |
| B | | X2 | DIN931-M12 X 70 |
| C | | X2 | DIN985-M12 |

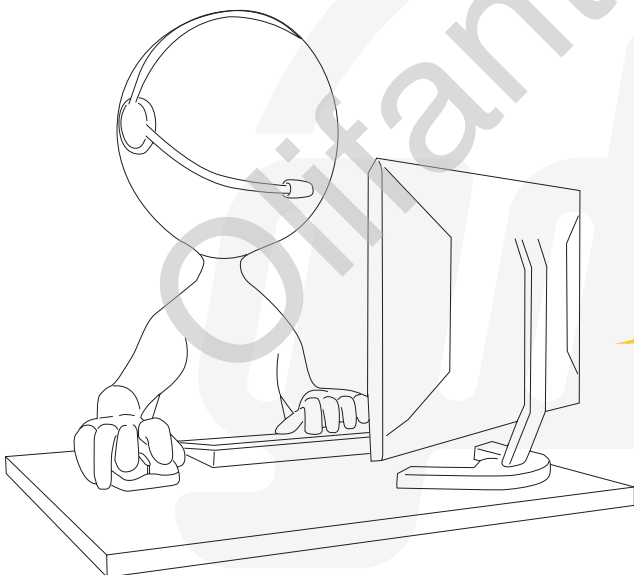
AFN Opties - Options - Options - Optionen - Opciones - Muligheder



!



HELP



helpdesk@gdwtowbars.com

+32 56 62 77 79

Monday	08:00 - 12:00	12:30 - 16:30
Tuesday	08:00 - 12:00	12:30 - 16:30
Wednesday	08:00 - 12:00	12:30 - 16:30
Thursday	08:00 - 12:00	12:30 - 16:30
Friday	08:00 - 12:00	12:30 - 15:30