



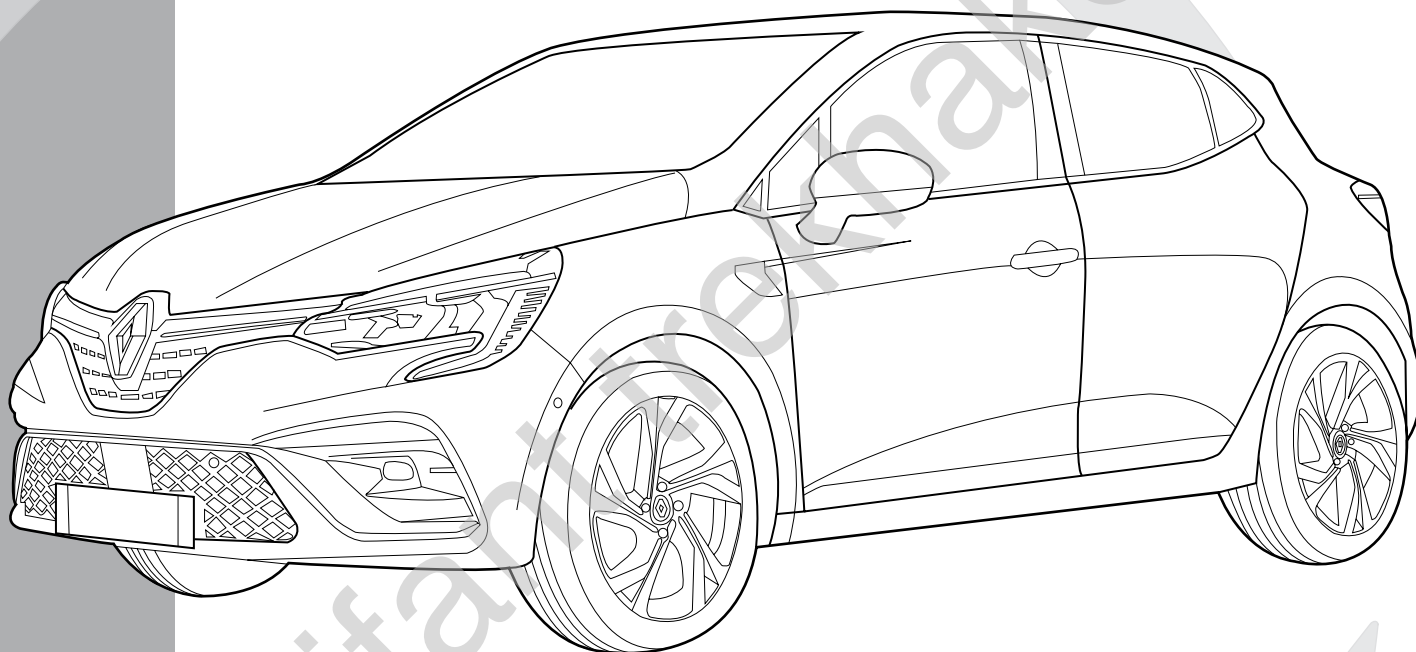
TREKHAKEN • ATTELAGES • ANHÄNGERVORRICHTUNGEN • TOWBARS • ENHANCES • ANHÆNGERTRÆK
Montagehandleiding | instructions de montage | Einbauanleitung | Mounting instruction
Instrucciones de montaje | monteringsvejledning




Renault Clio V (type BJA)

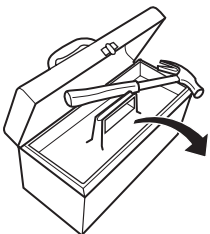
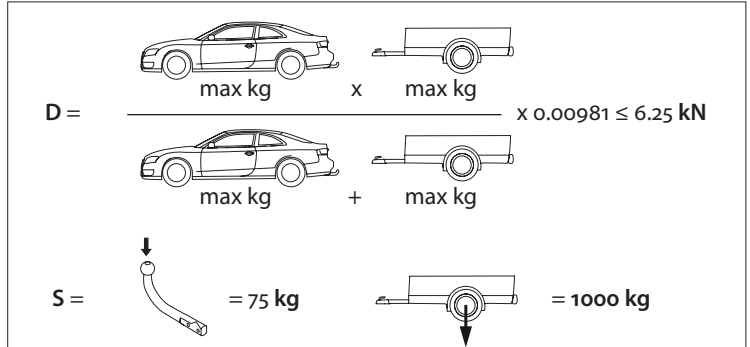
04/'19 -

- ✓ STANDARD
- ✓ AD-BLUE
- ✓ HYBRID (E-TECH)
- ✗ RS-LINE

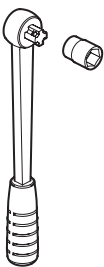


See the Certificate Of Conformity (COC) of your vehicle or contact your dealer to verify the max. trailer weight of your car!

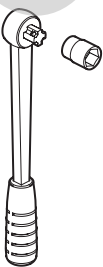
MADE BY 	D 6.25	F	E6
BELGIUM	S 75	EC APPROVAL N° 55R-011555	
REF N° 2402T60	SERIE N°		
OMSCHRIJVING Renault Clio V 04/'19-			



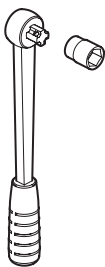
10



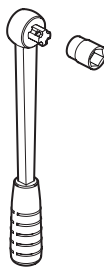
13



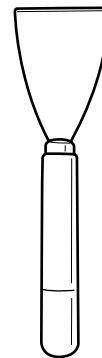
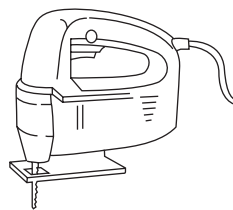
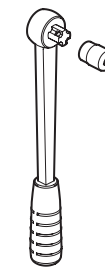
19

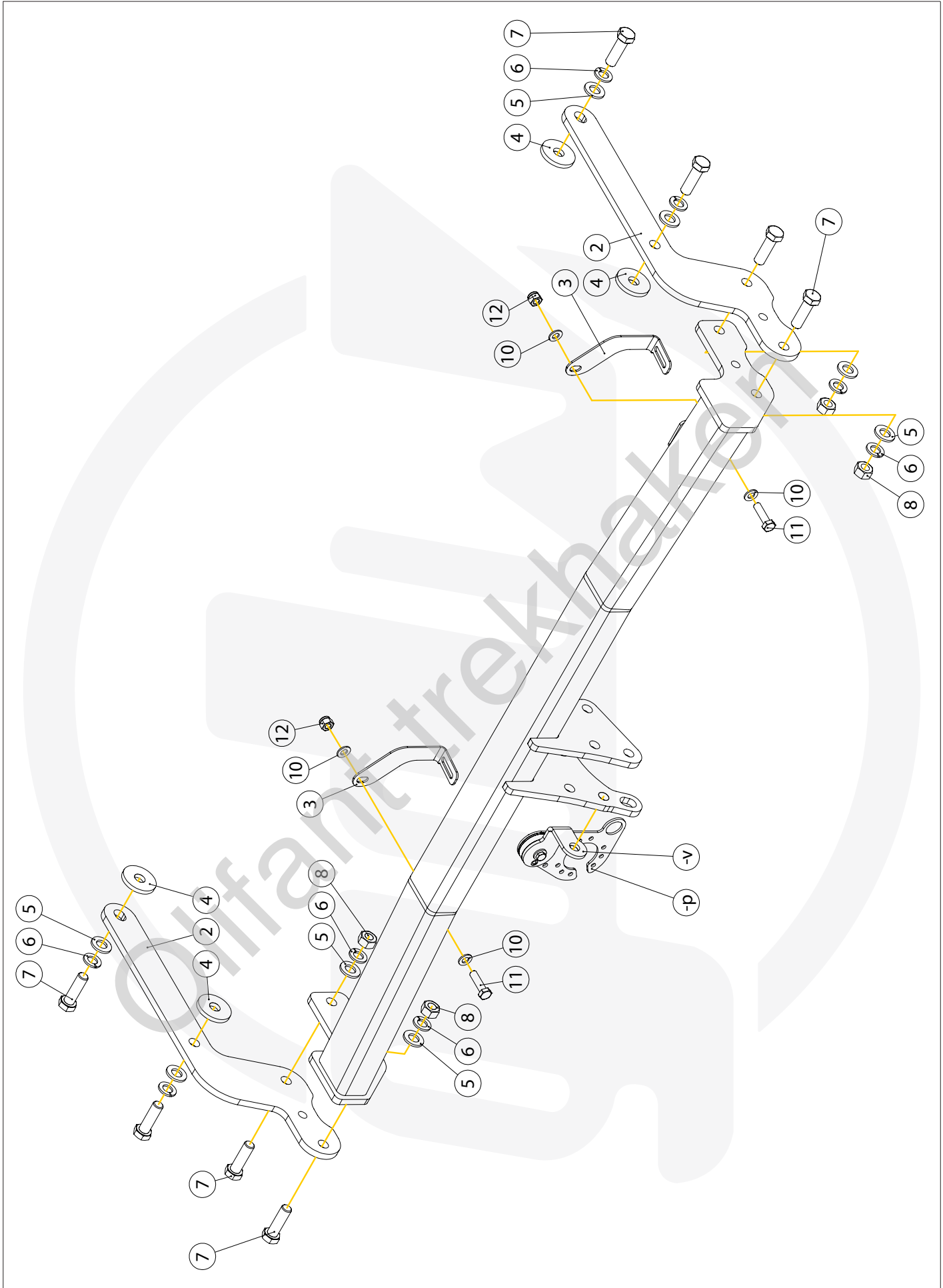


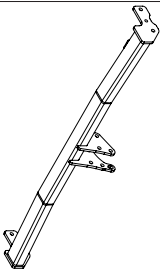
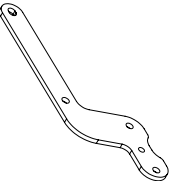

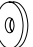
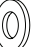



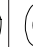
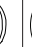


24

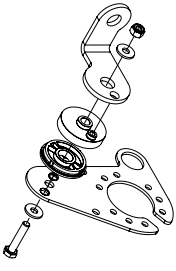




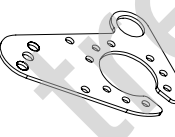





TX20

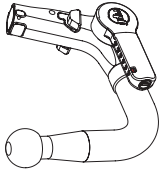

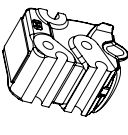


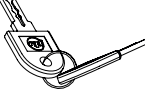

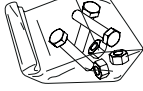


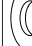
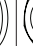


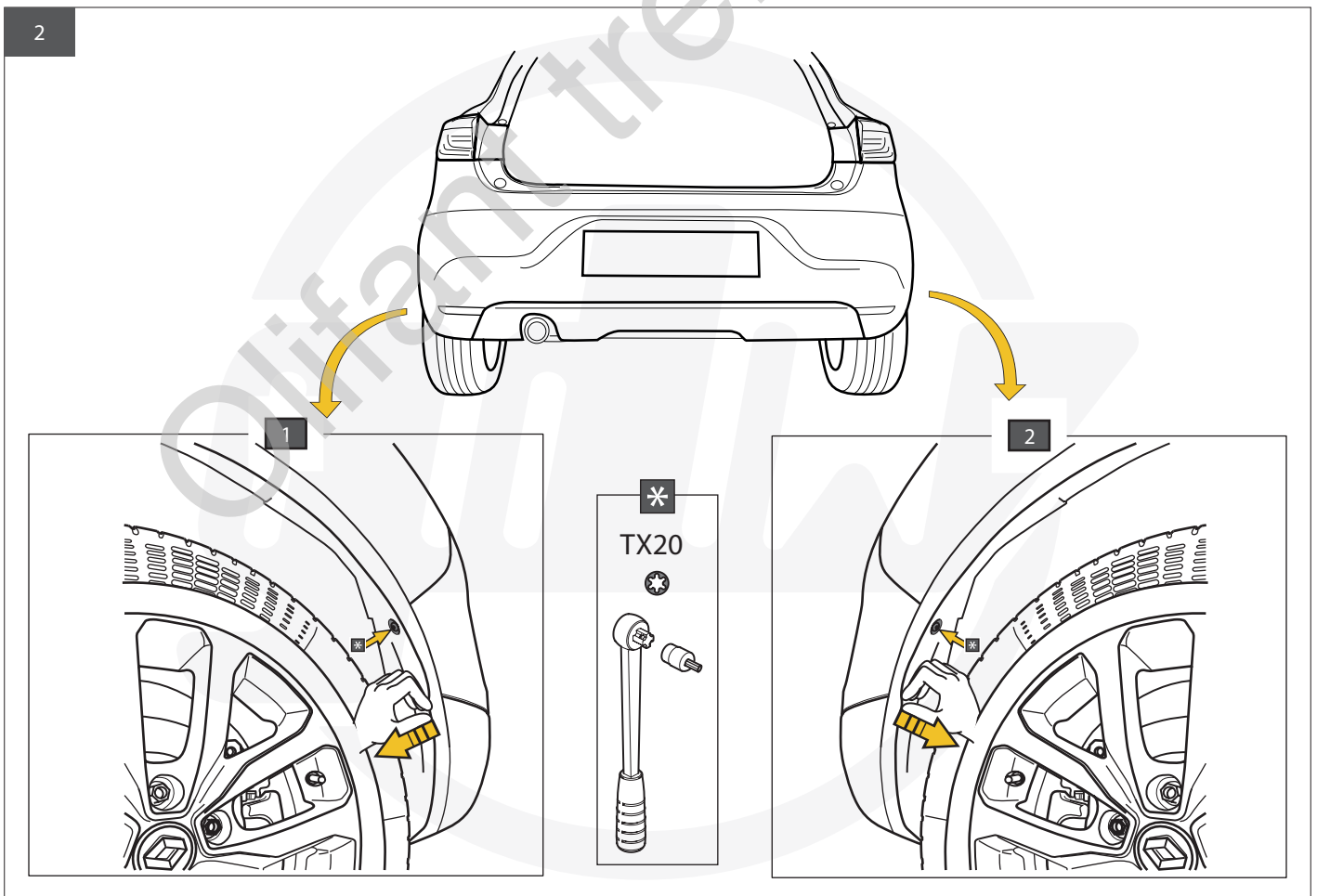
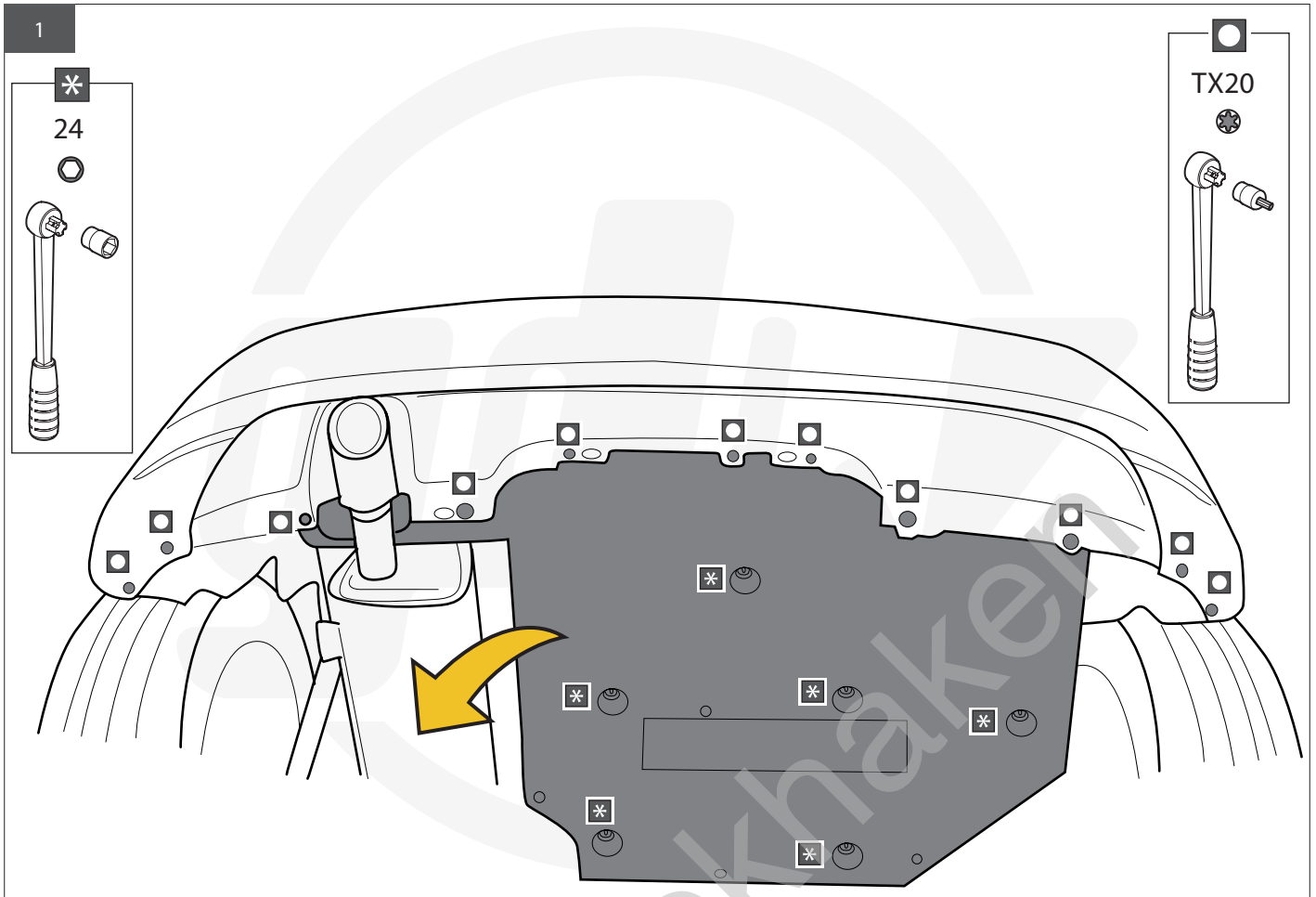


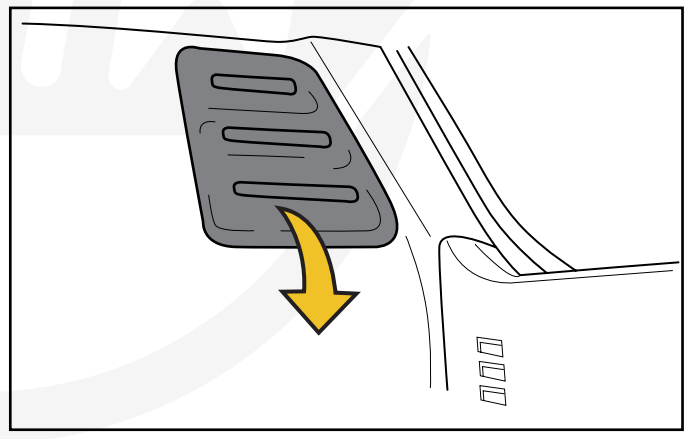
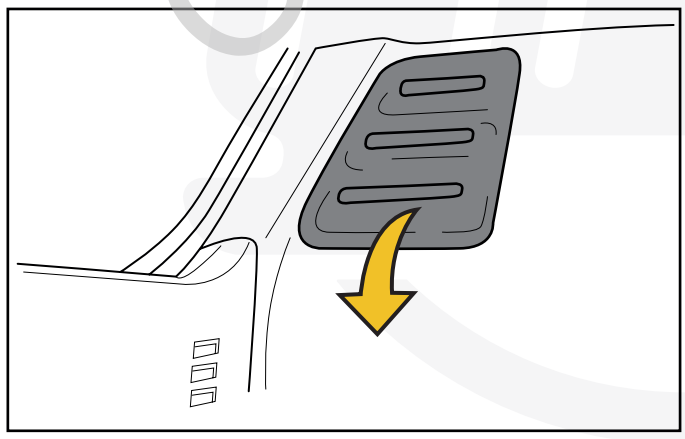
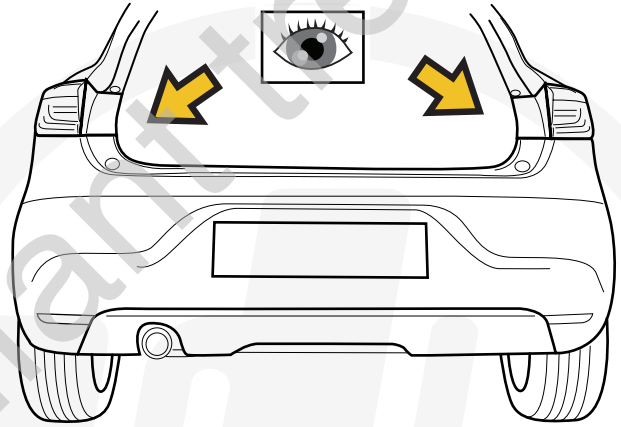
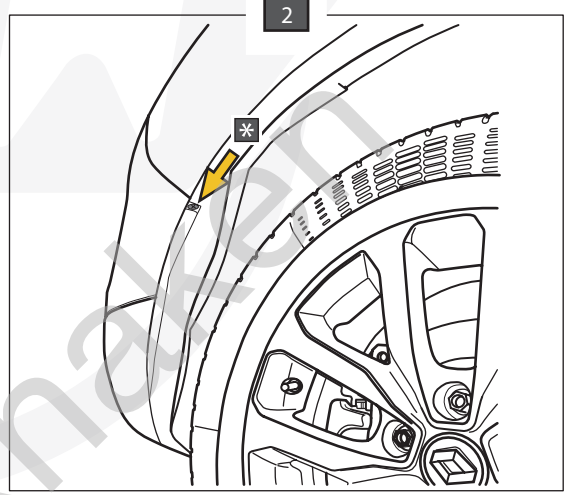
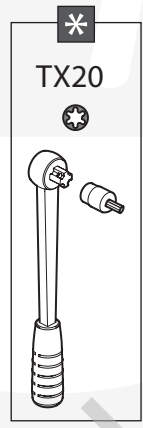
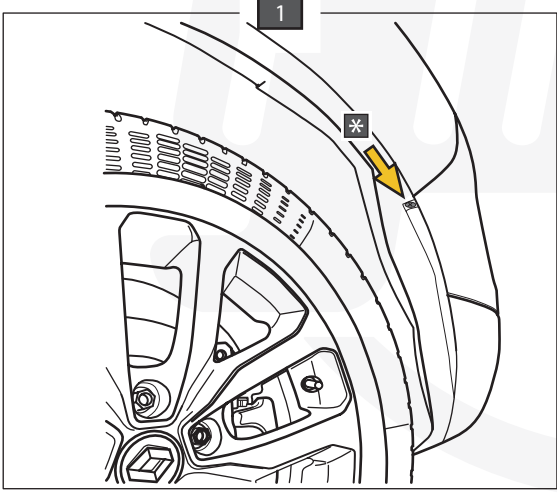
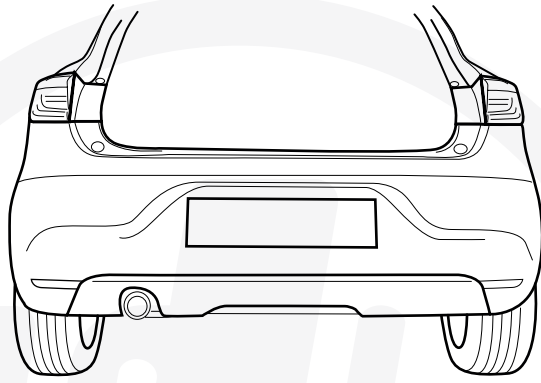
1		X1	GDW REF. 2402T60
2		X2	GDW REF. 2
3		X2	GDW REF. 3
4		X4	GDW REF. 4
5		X8	DINT25-A12-140HV- ELVZ
6		X8	DIN 128A-M12
7		X8	DIN 933-M12x40
8		X4	DIN 934-M12
9		X2	DIN9021-M8-ELVZ Ø 25 X 8.4 X 2
10		X4	DINT25-A8-140HV- ELVZ
11		X2	DIN 933-M8x30
12		X2	DIN985-M8

p		X1	GDW REF. P39
↳		X1	DIN985-M6
↳		X2	6,2 X 15,4 X 1,6 (NYLON)
↳		X1	GDW REF. 718.16.002
↳		X1	GDW REF. 718.16.003
↳		X1	GDW REF. 908.094
↳		X1	DIN933-M6 X 30
↳		X1	GDW REF. 908.095

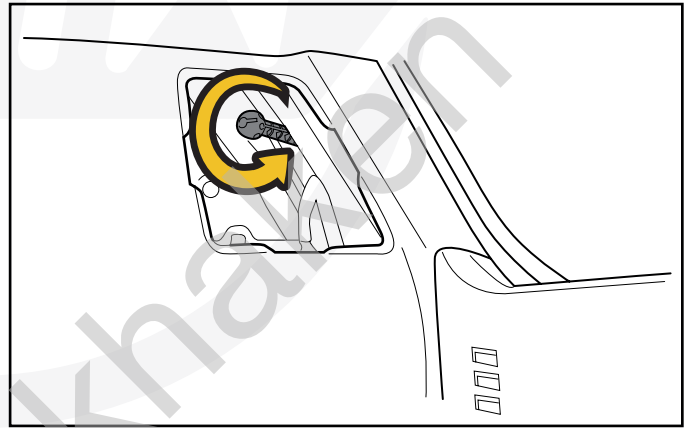
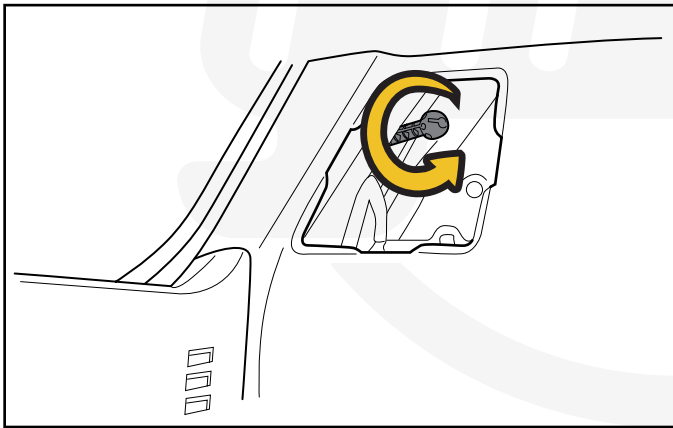
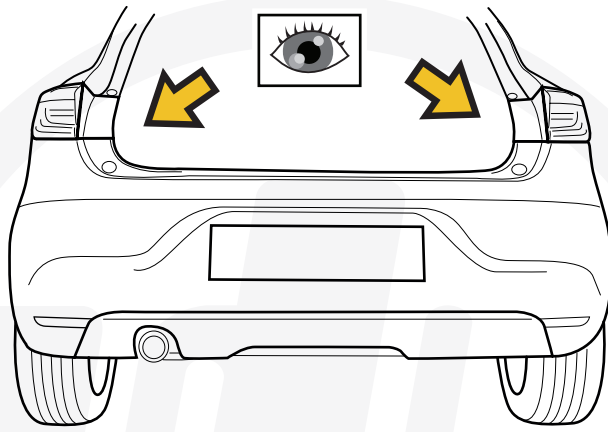
*		X2	GDW REF. 721.32.005
---	---	----	---------------------

Geleverd met - Livré avec - Delivered with Gefiefert mit - Elementos adjuntos-Leveres med		X1	GDW REF. 960.V0610
↳		X1	GDW REF. 740.200
↳		X1	GDW REF. 912.003
↳		X1	GDW REF. 740.112
↳		X1	GDW REF. 740.111
↳		X1	GDW REF. 740.114
↳		X1	GDW REF. 718.15.001
↳		X1	GDW REF. SYST60-10
↳		X3	DIN931-M12X110-8.8
↳		X3	DINT28A-M12
↳		X6	DINT25A-M12
↳		X3	DIN934-M12

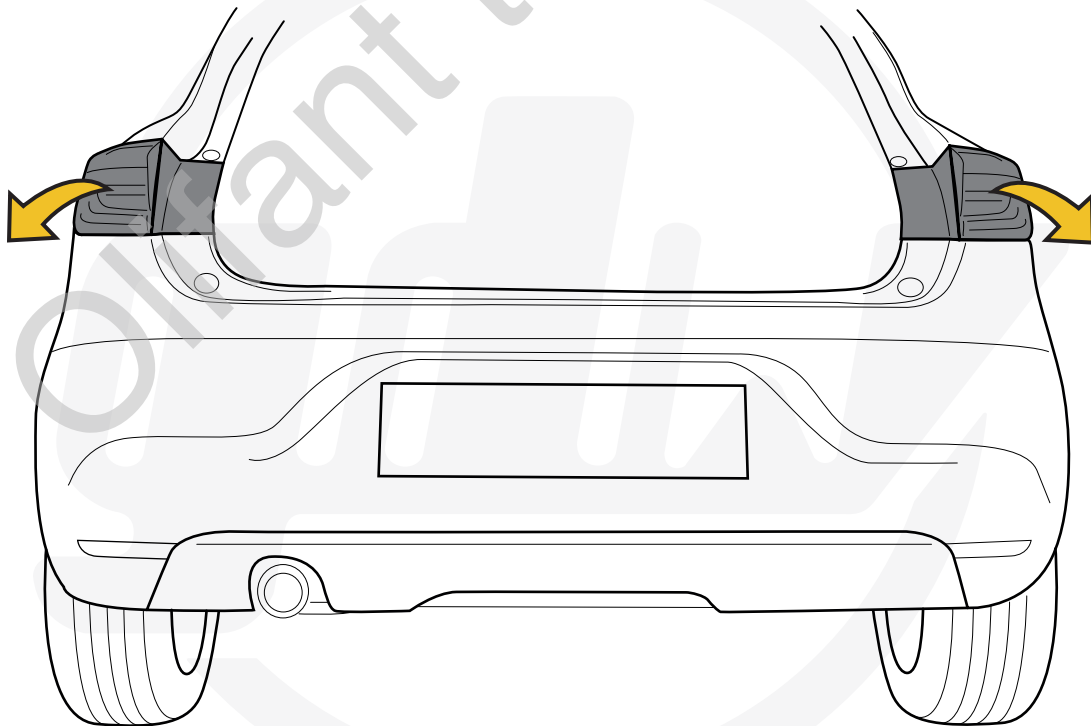




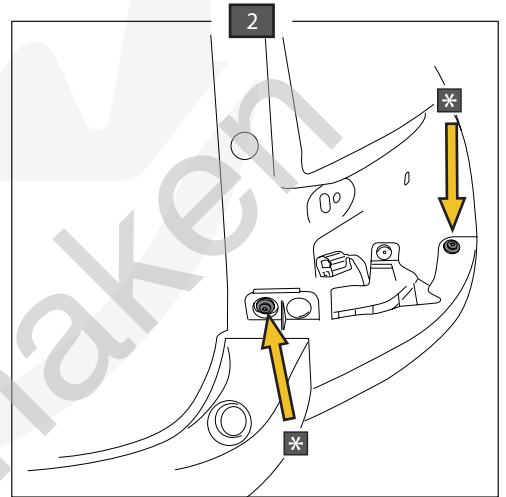
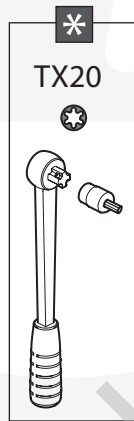
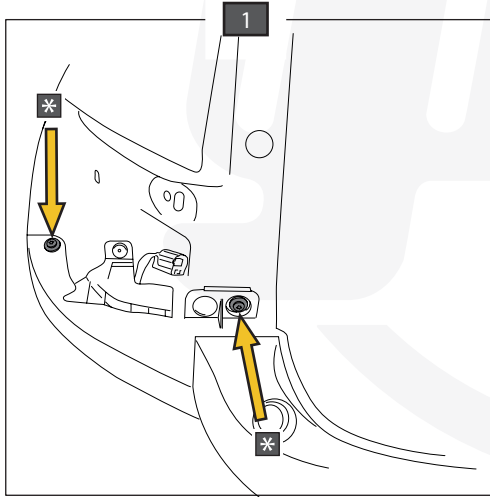
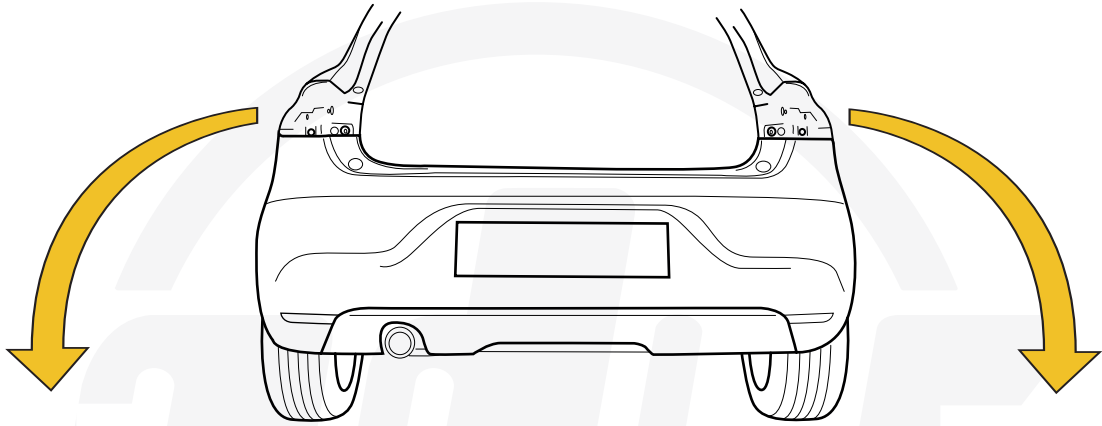
5



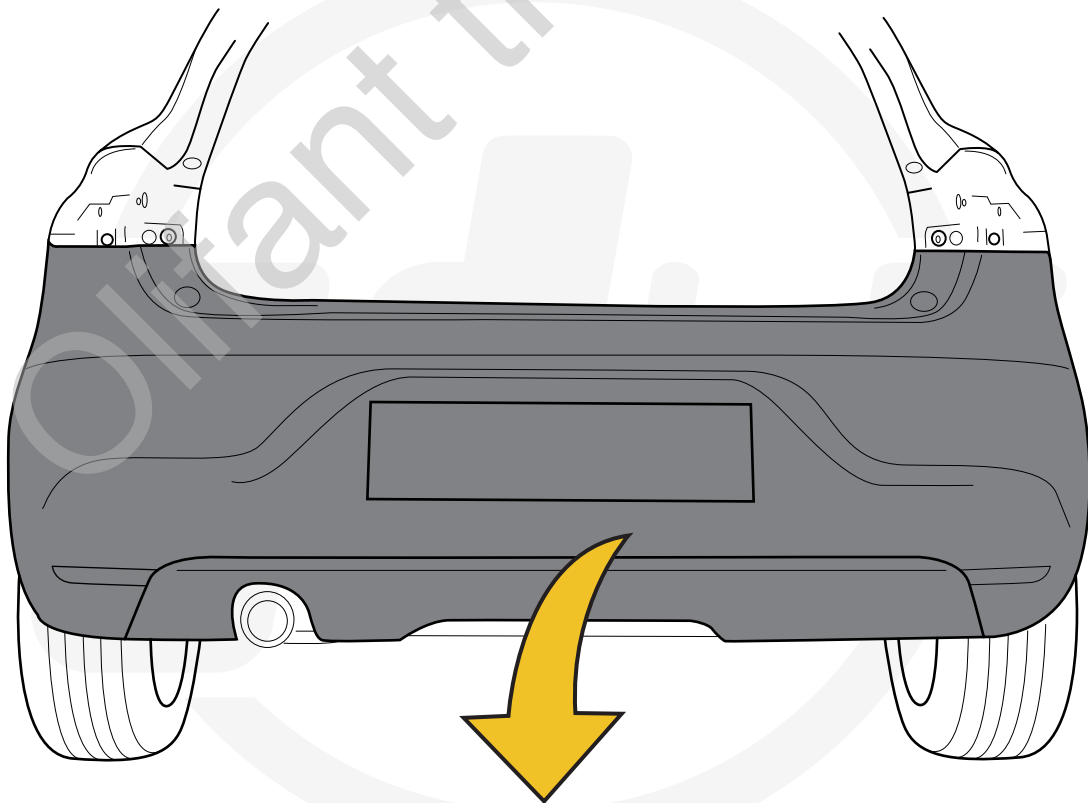
6

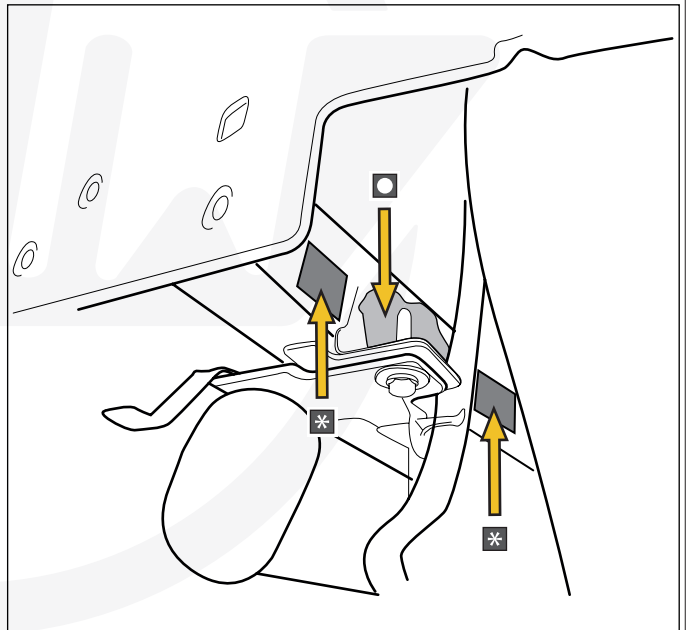
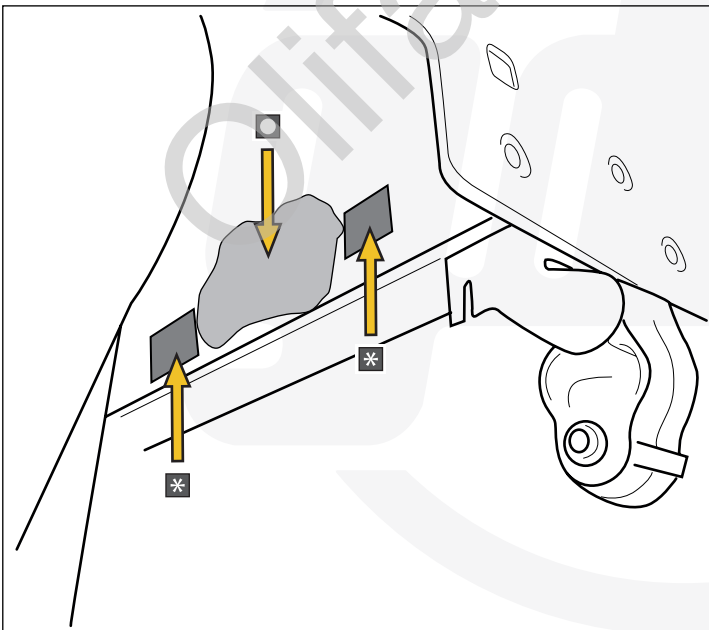
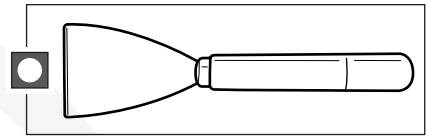
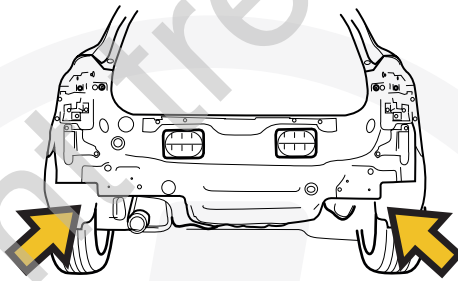
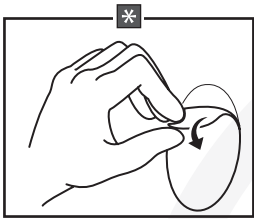
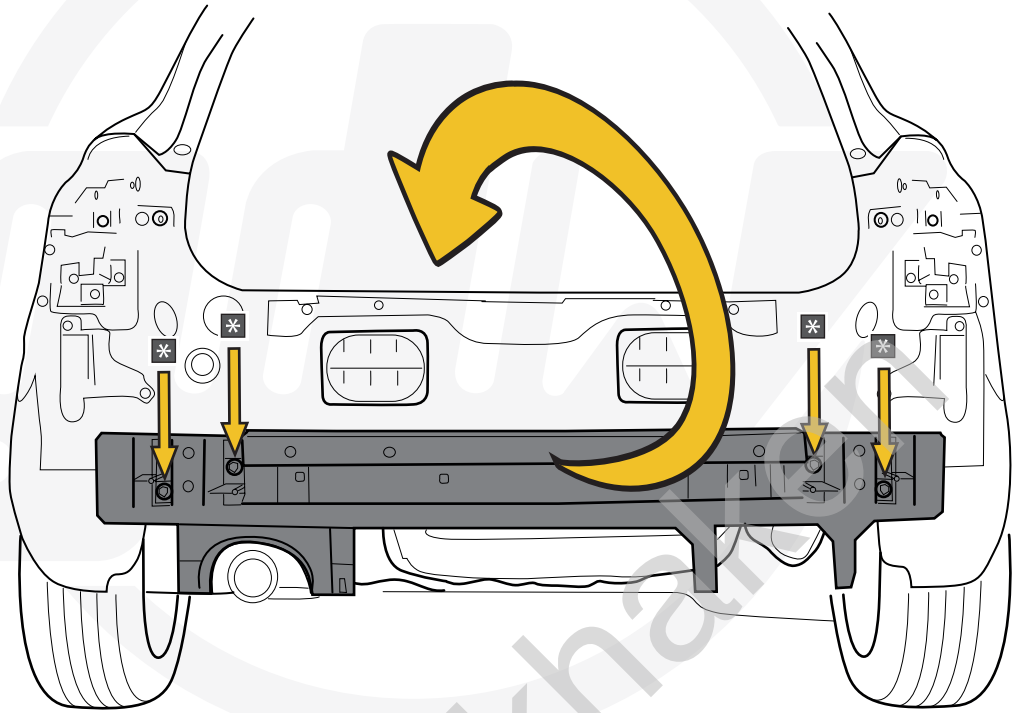
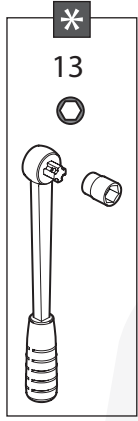


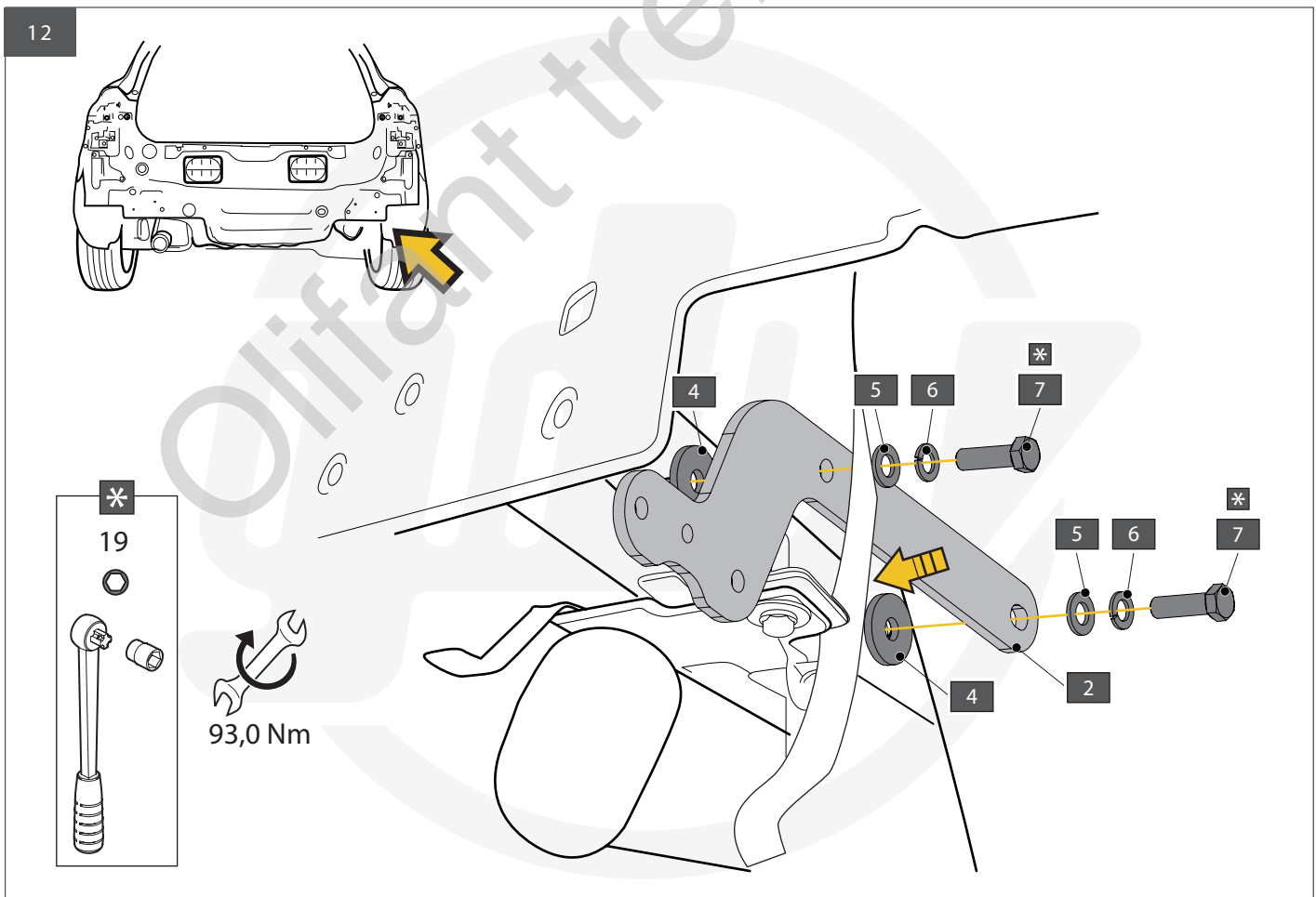
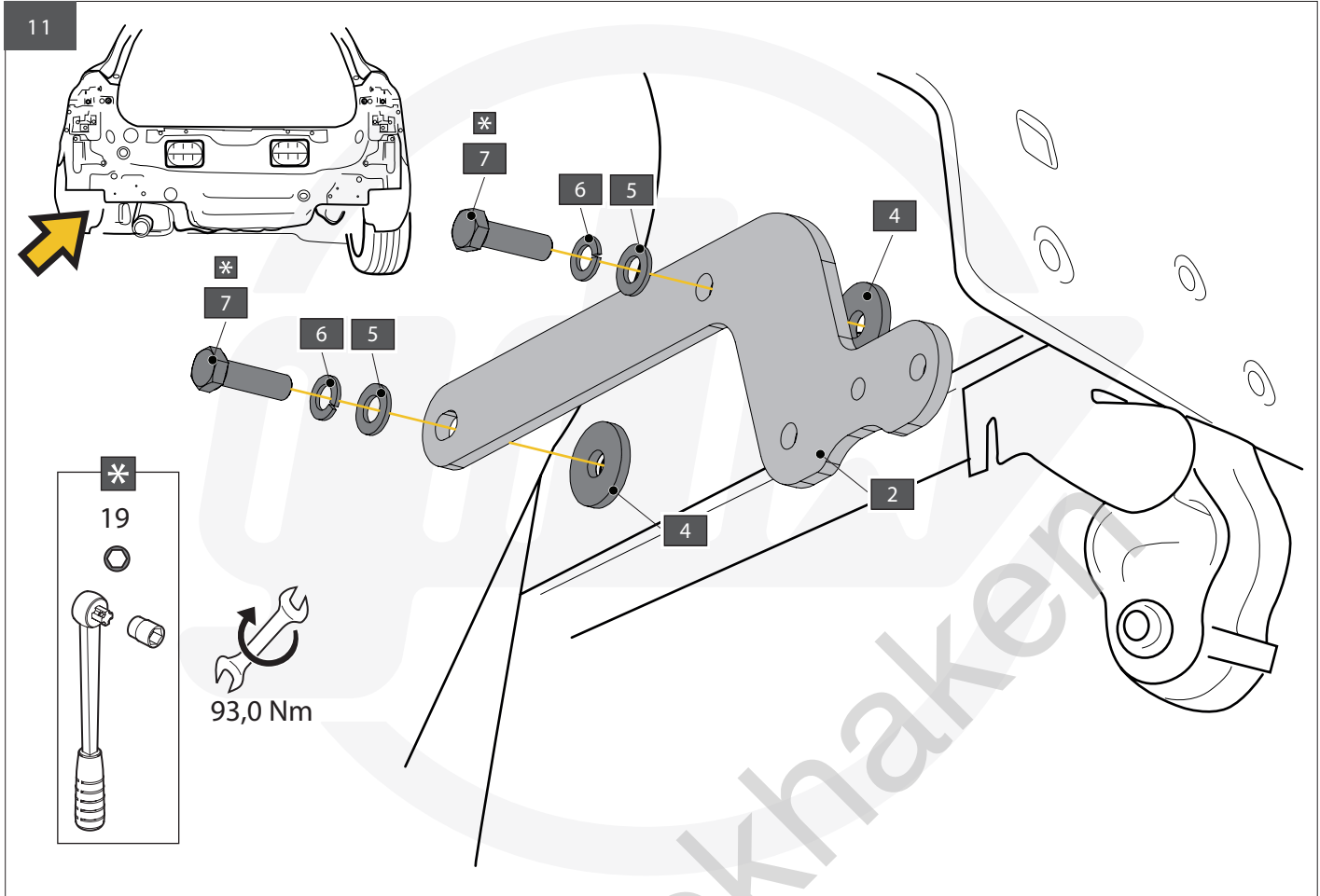
7

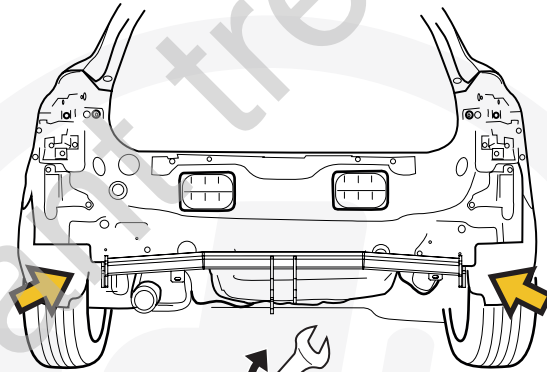
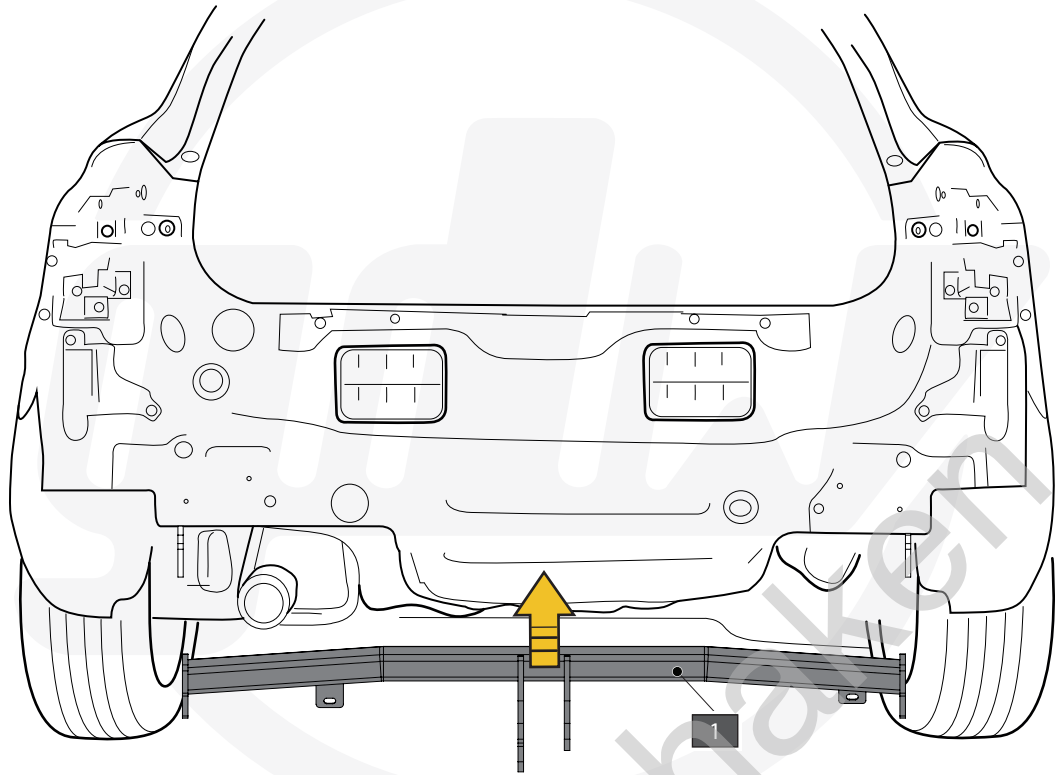


8









93,0 Nm

*

19

○

○

○

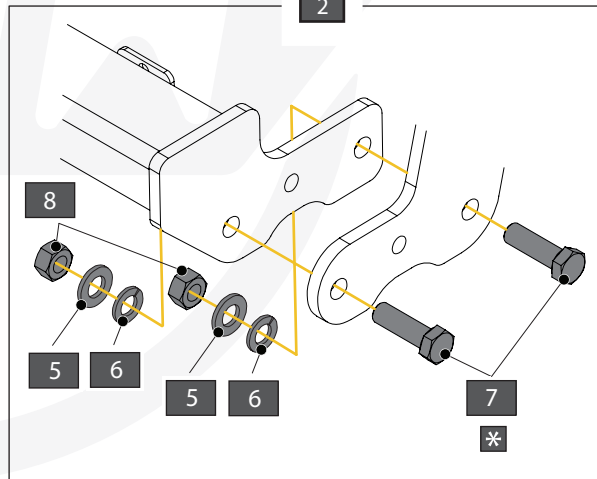
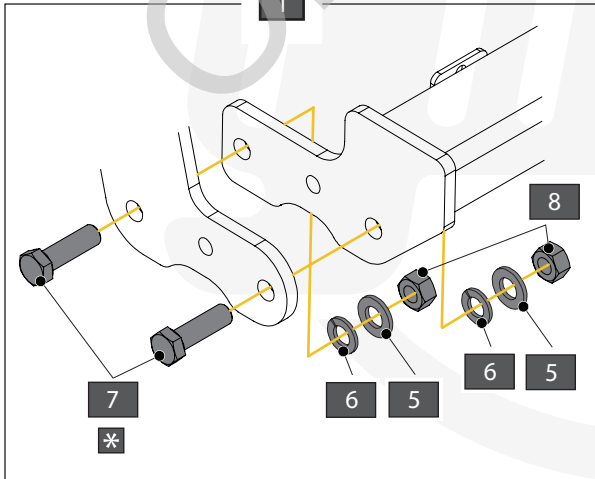
○

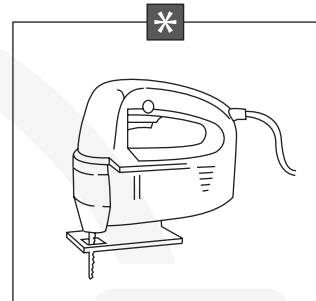
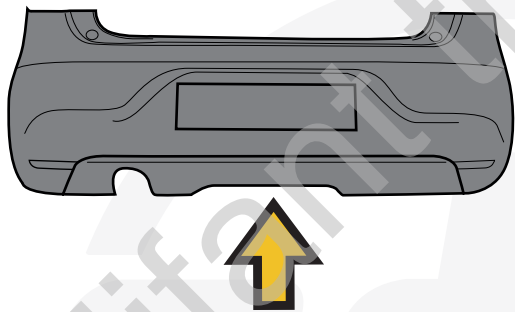
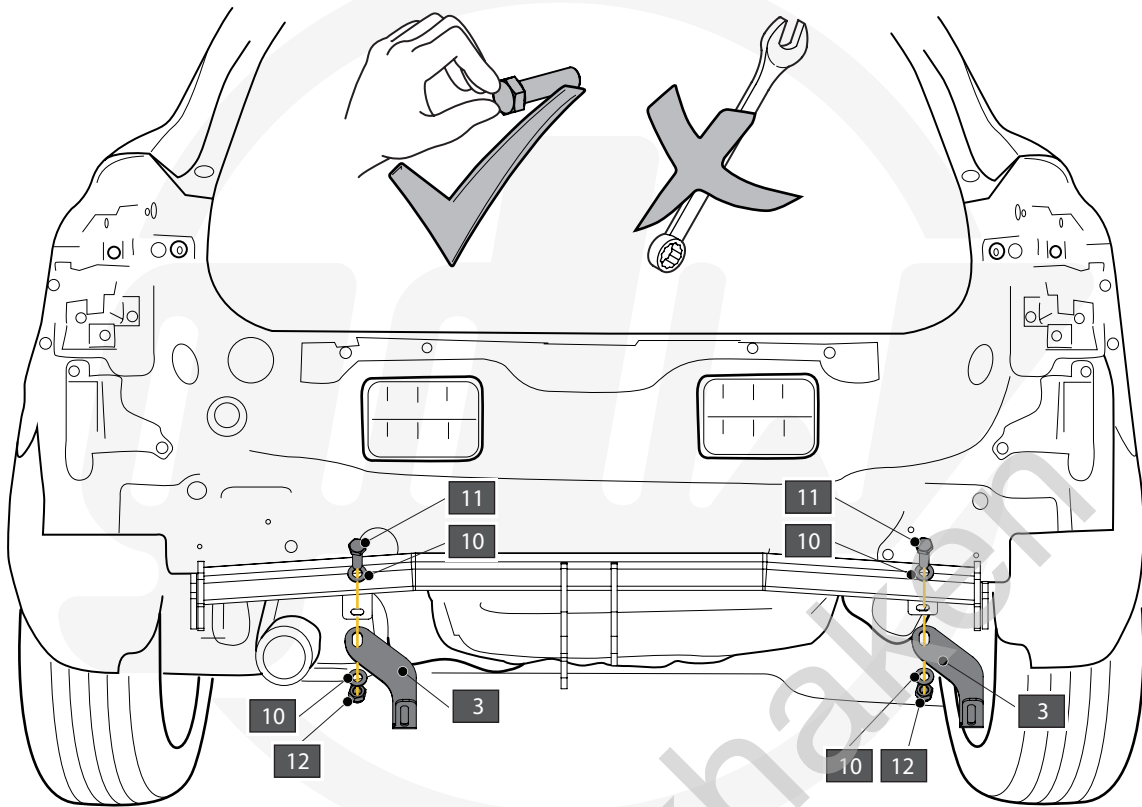
○

○

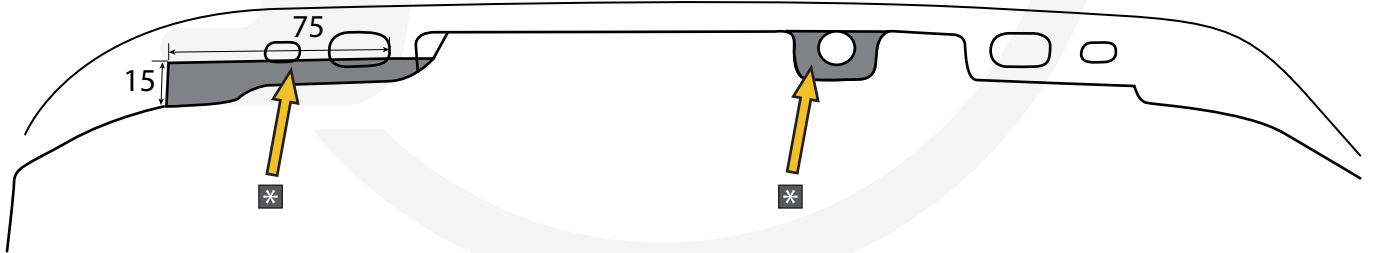
○

○

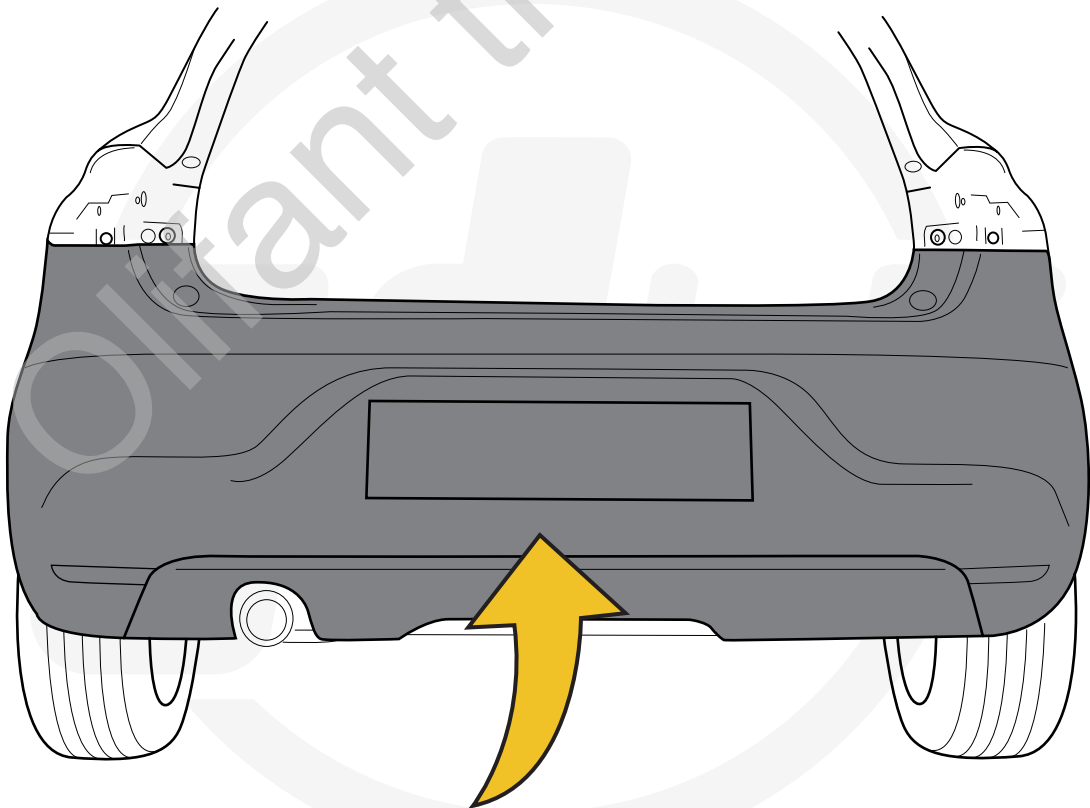
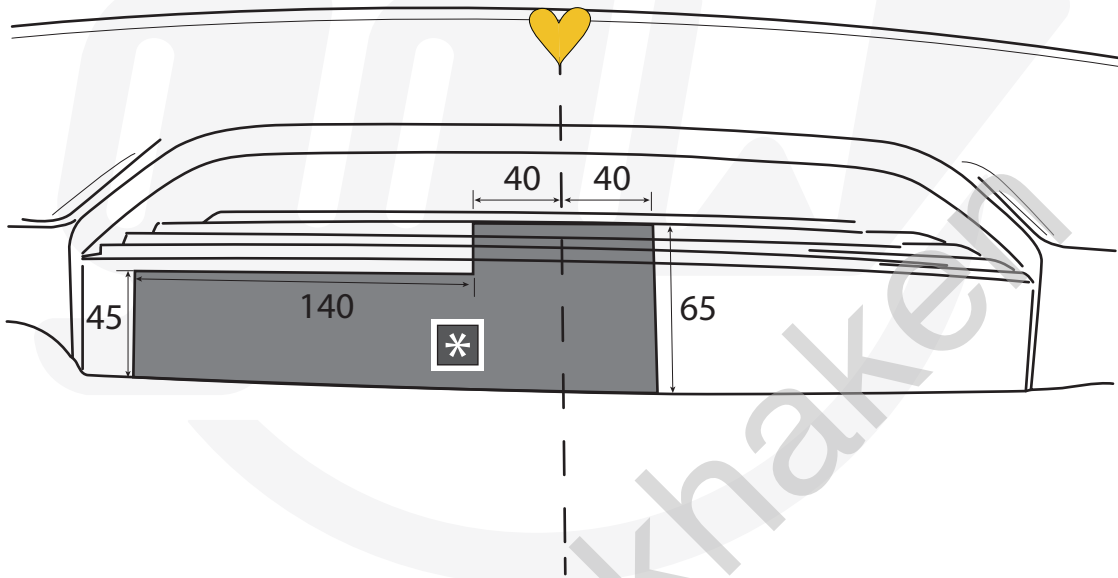
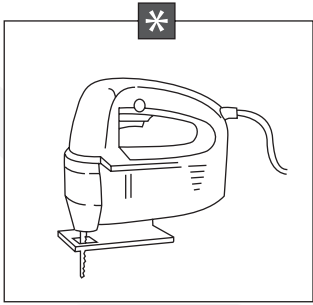


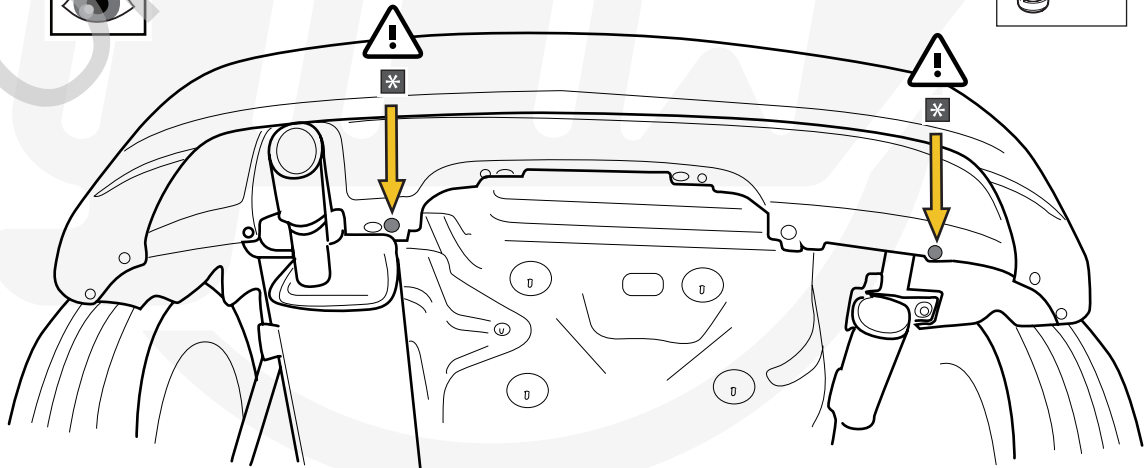
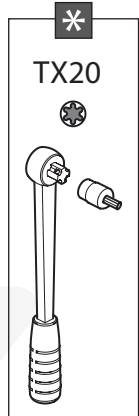
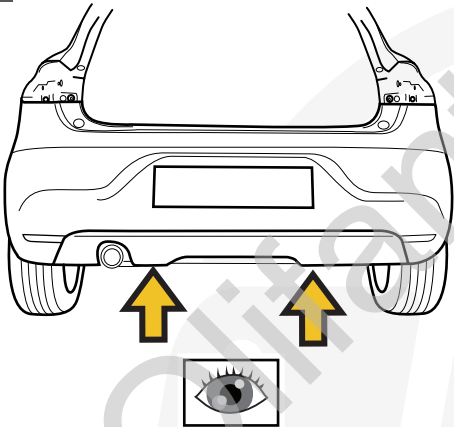
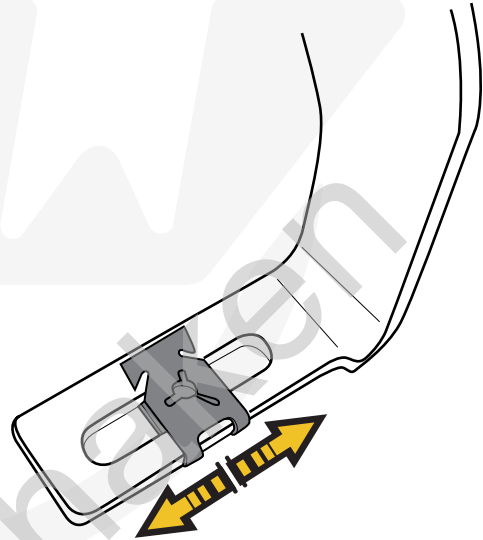
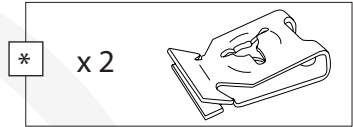
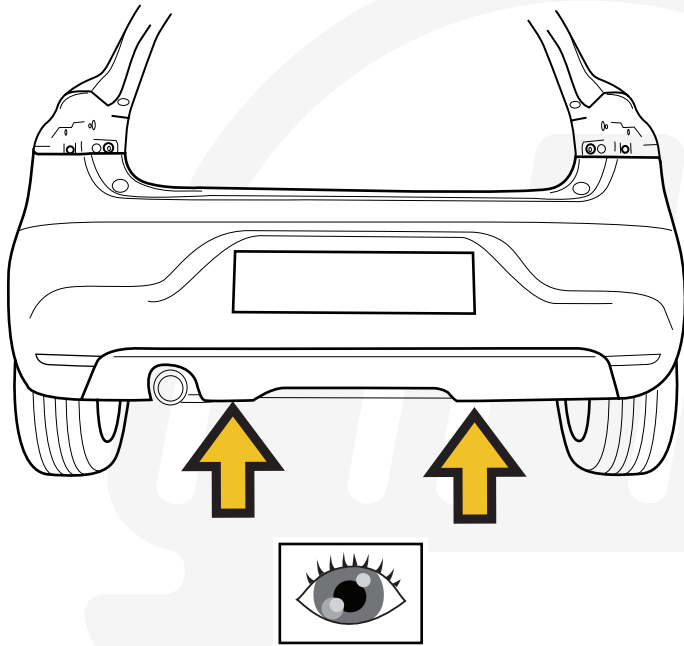


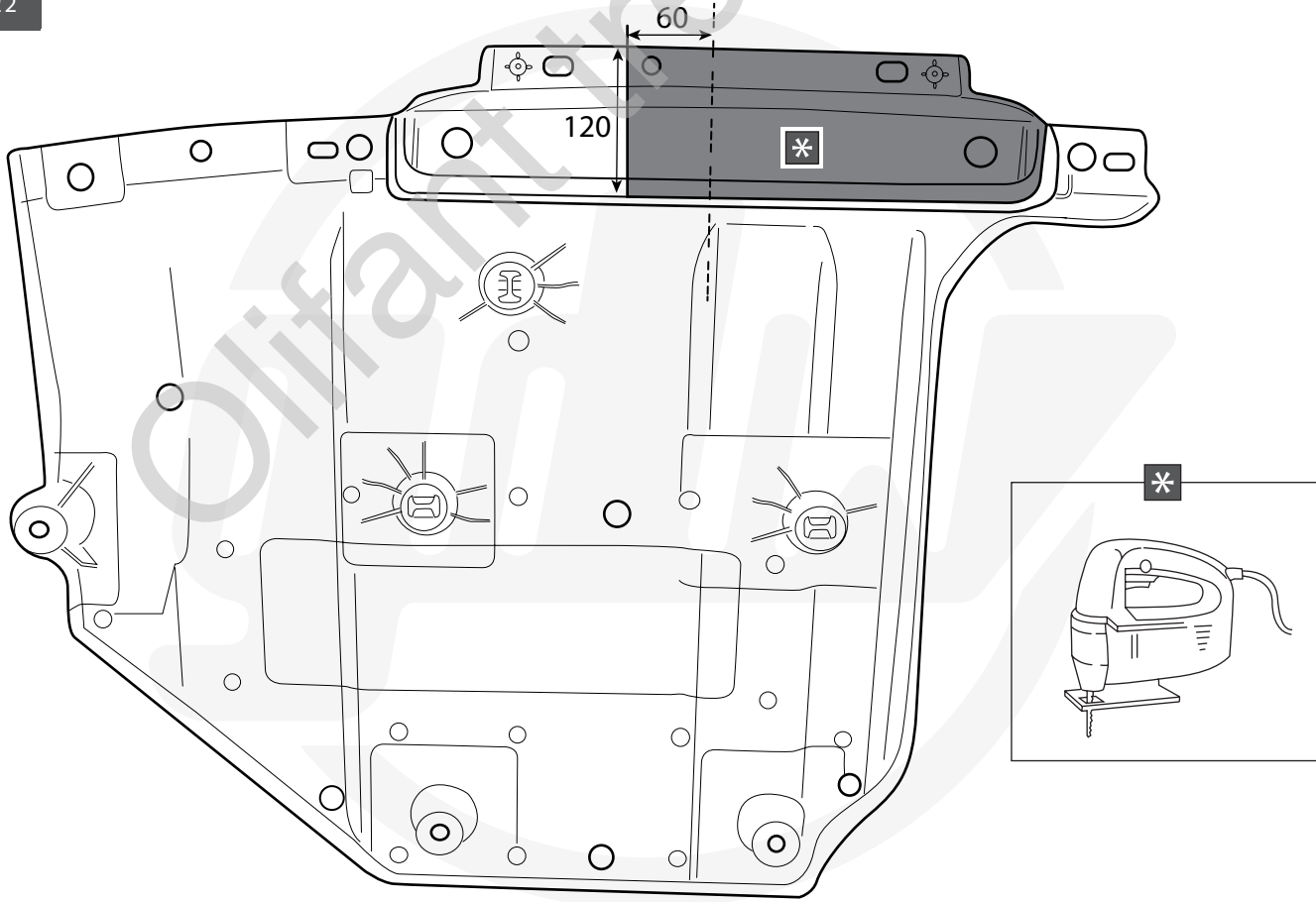
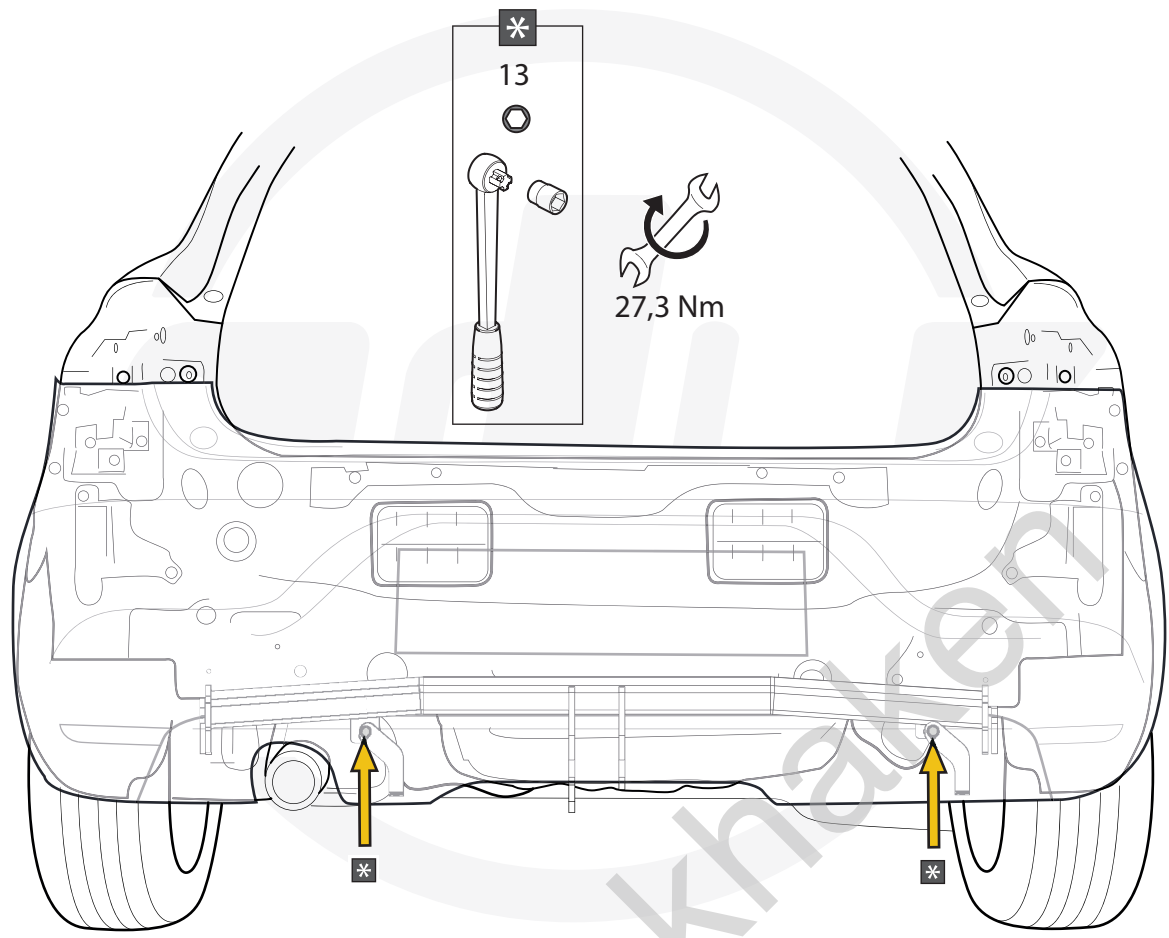
RENAULT CLIO



RENAULT CLIO HYBRID

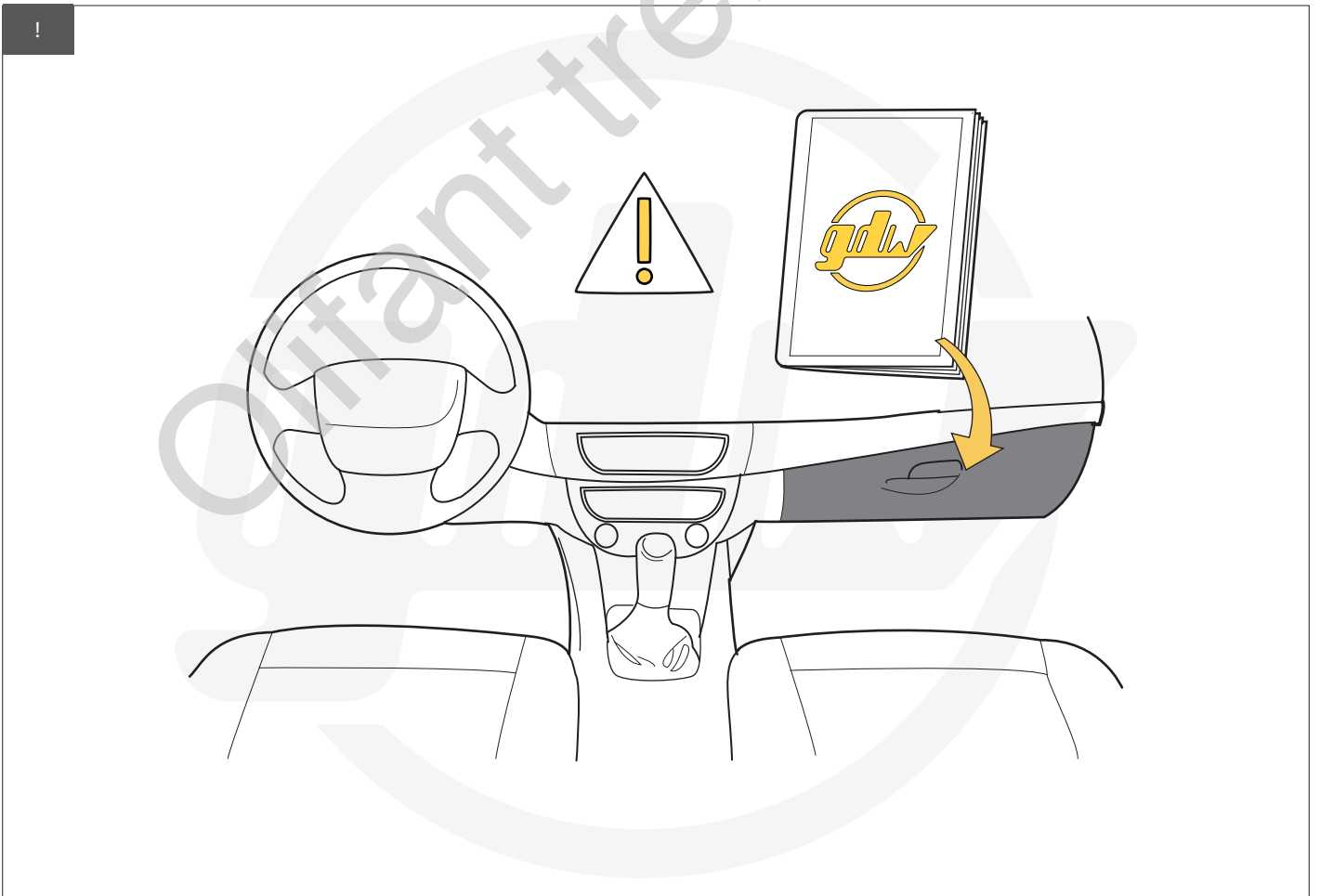
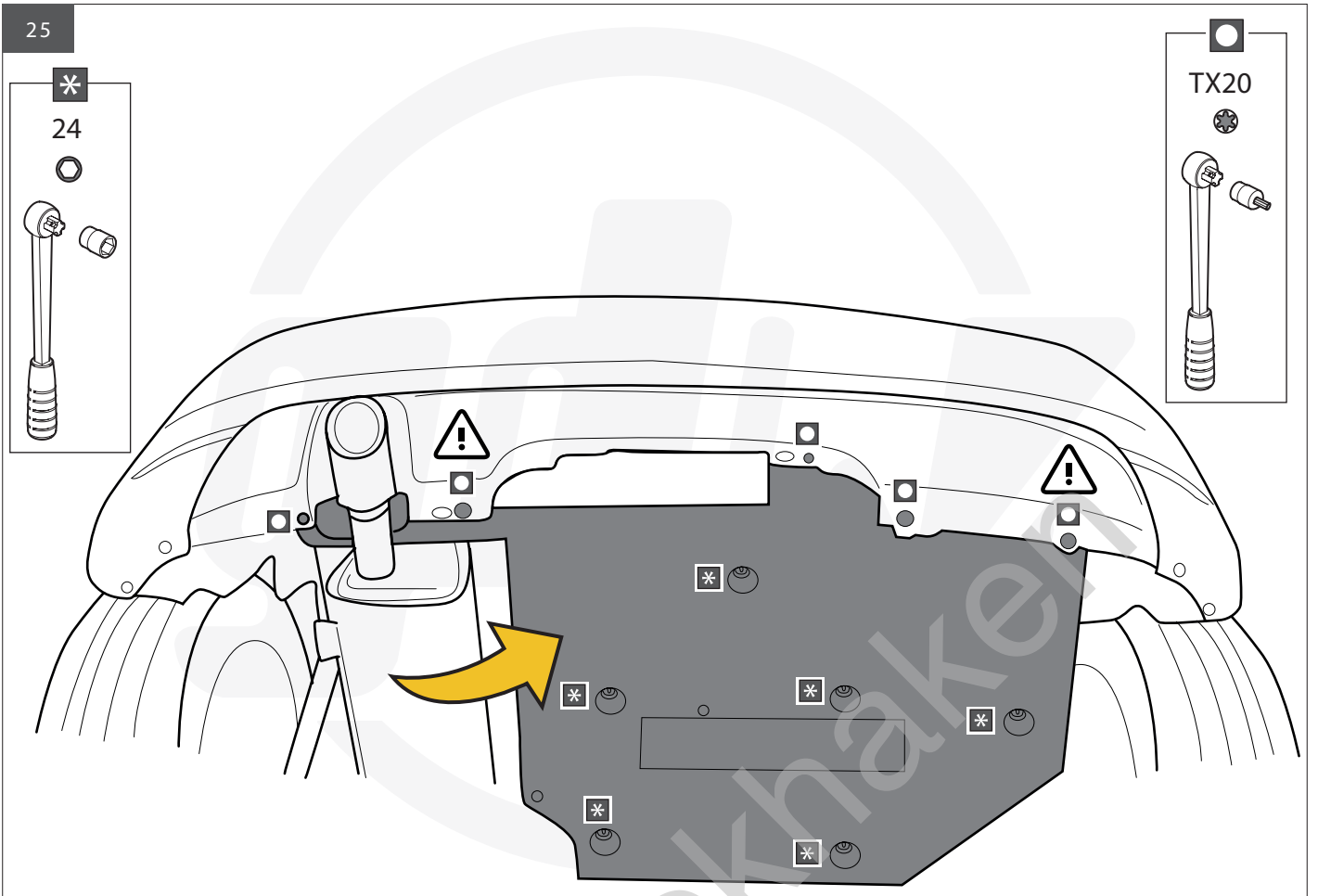
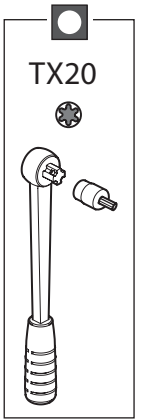
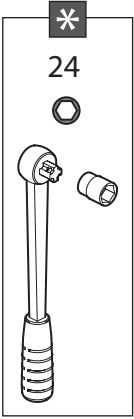


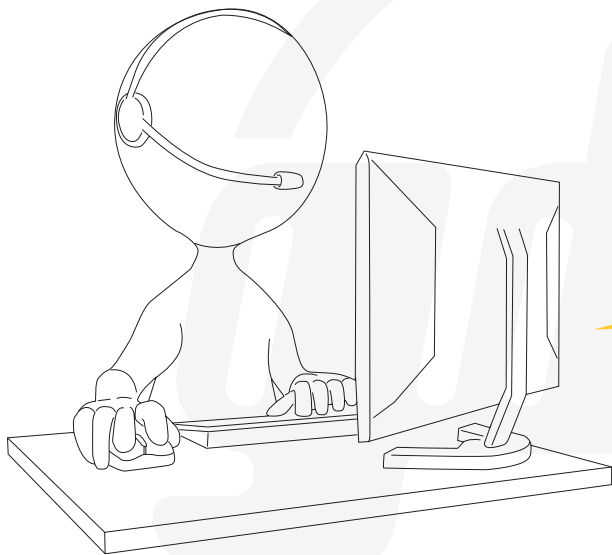




A		X1	GDW REF. 908.095
B		X1	DIN985-M6
C		X2	6,2 X 15,4 X 1,6 (NYLON)
D		X1	GDW REF. 718.16.002
E		X1	GDW REF. 718.16.003
F		X1	GDW REF. 908.094
G		X1	DIN933-M6 X 30

A		X1	GDW REF. 912.003
B		X3	DIN931-M12X110-8.8
C		X3	DIN128A-M12
D		X6	DIN125A-M12
E		X3	DIN934-M12





helpdesk@gdwtowbars.com

+32 56 62 77 79

Monday	08:00 - 12:00	12:30 - 16:30
Tuesday	08:00 - 12:00	12:30 - 16:30
Wednesday	08:00 - 12:00	12:30 - 16:30
Thursday	08:00 - 12:00	12:30 - 16:30
Friday	08:00 - 12:00	12:30 - 15:30

Olifant trekhaken