



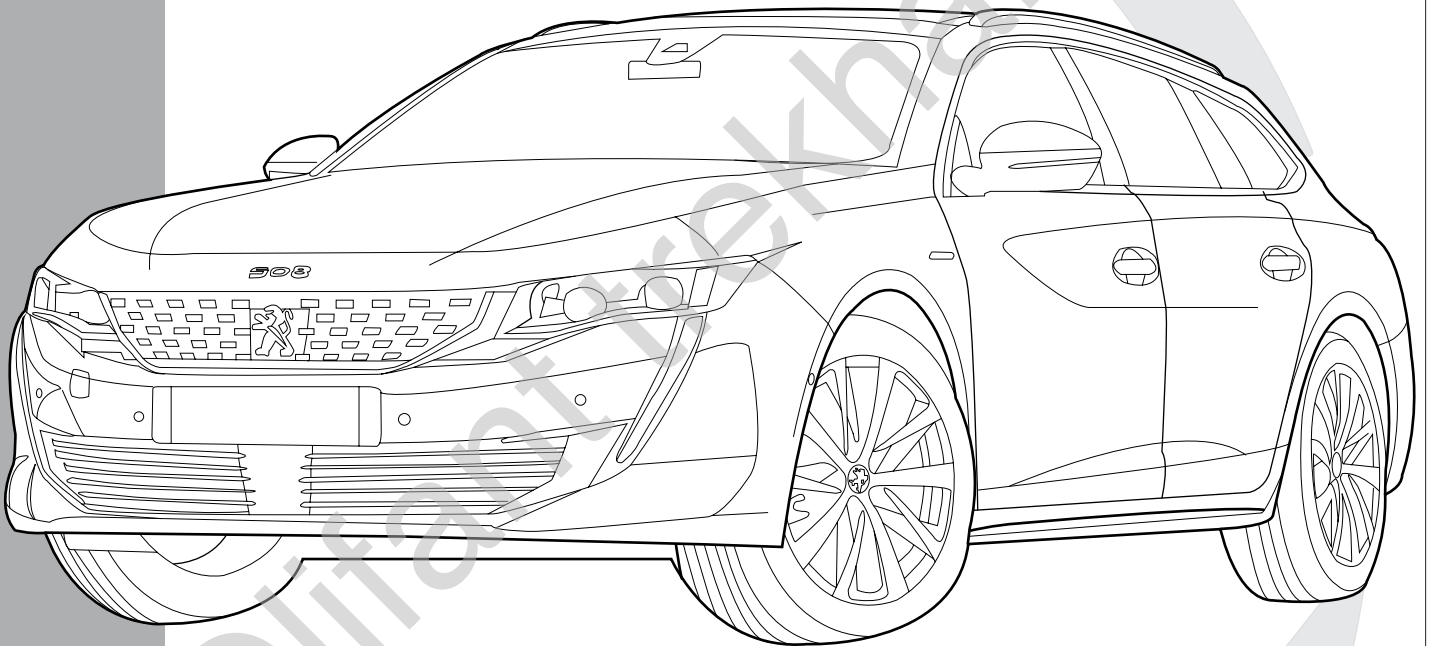
TREKHAKEN • ATTELAGES • ANHÄNGERVORRICHTUNGEN • TOWBARS • ENHANCES • ANHÆNGERTRÆK • GANCI DI TRAINO

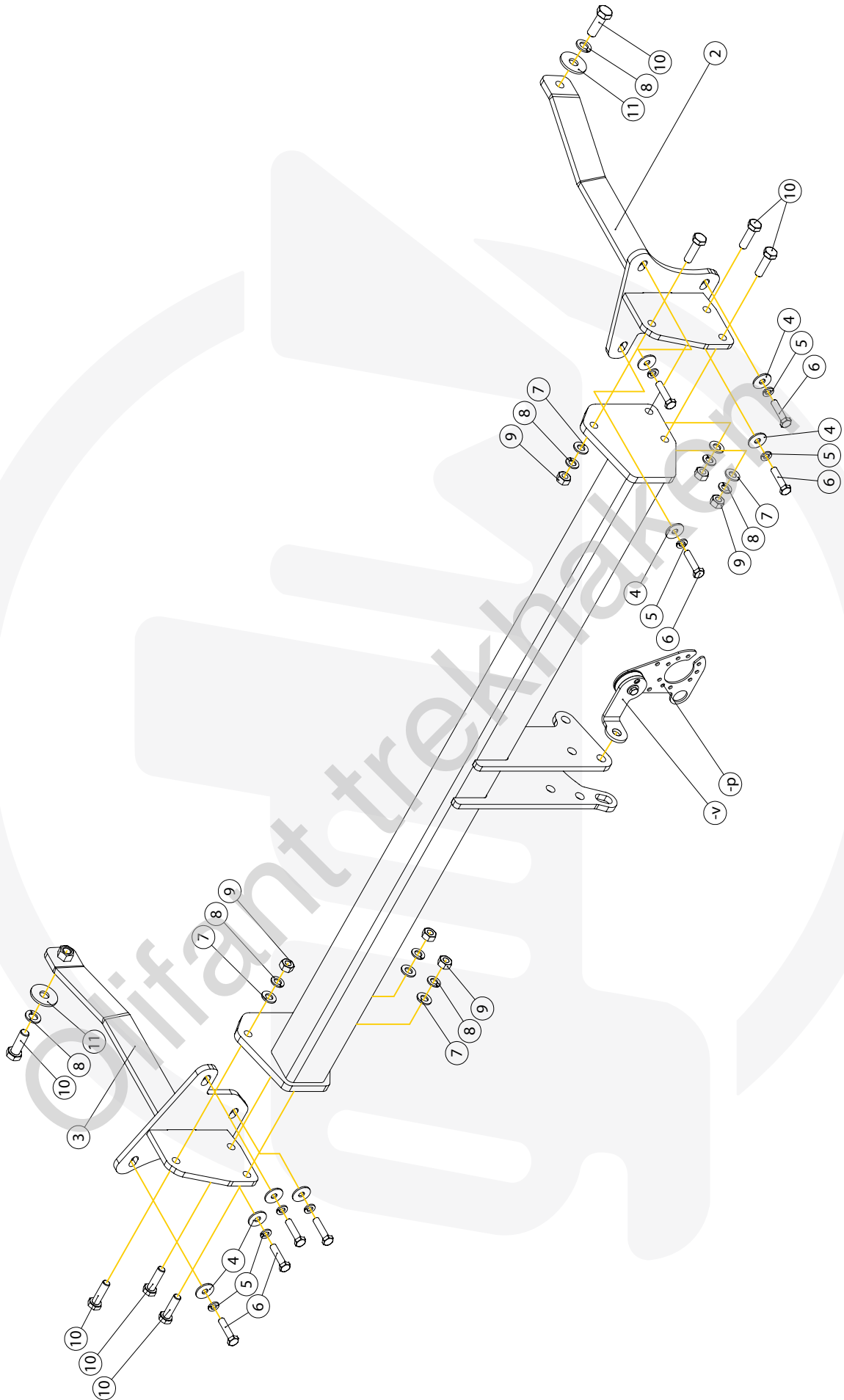
Montagehandleiding | instructions de montage | Einbauanleitung | Mounting instruction
Instrucciones de montaje | monteringsvejledning | istruzioni di montaggio

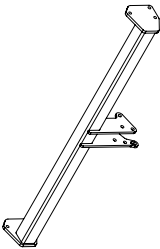
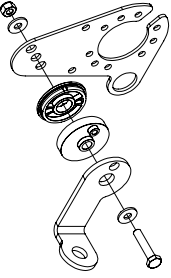
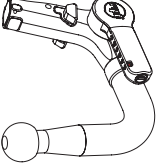
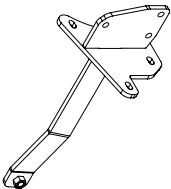
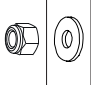

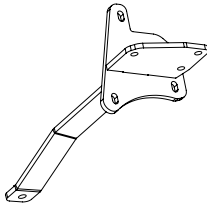
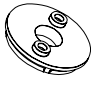
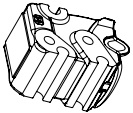
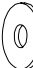
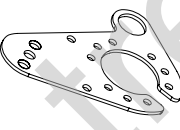






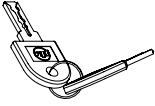

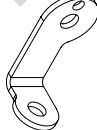


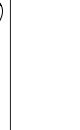
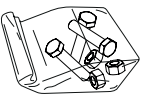






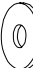


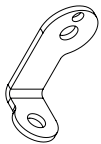


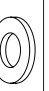
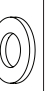
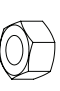


Peugeot 508 II SW

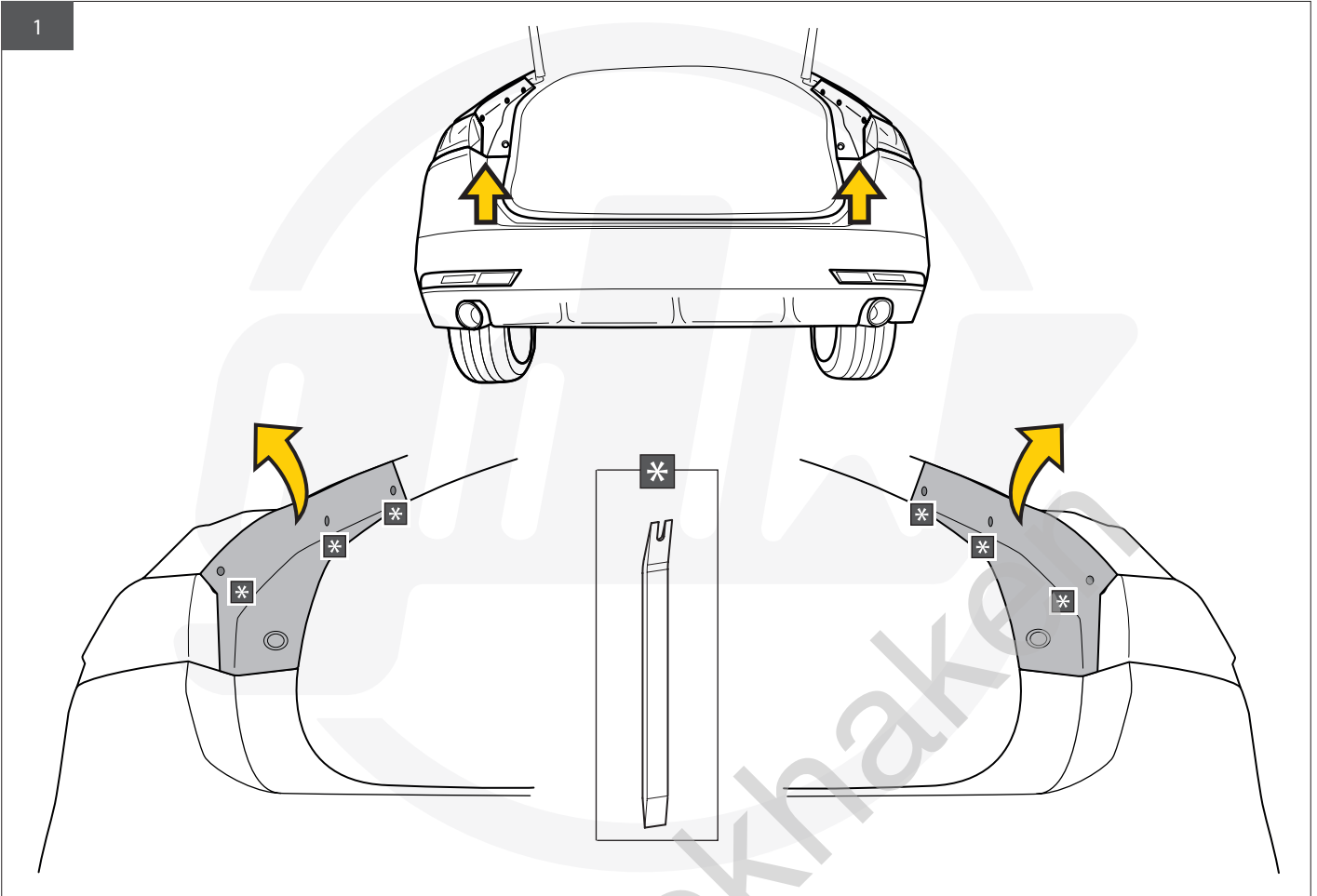
09/'18-



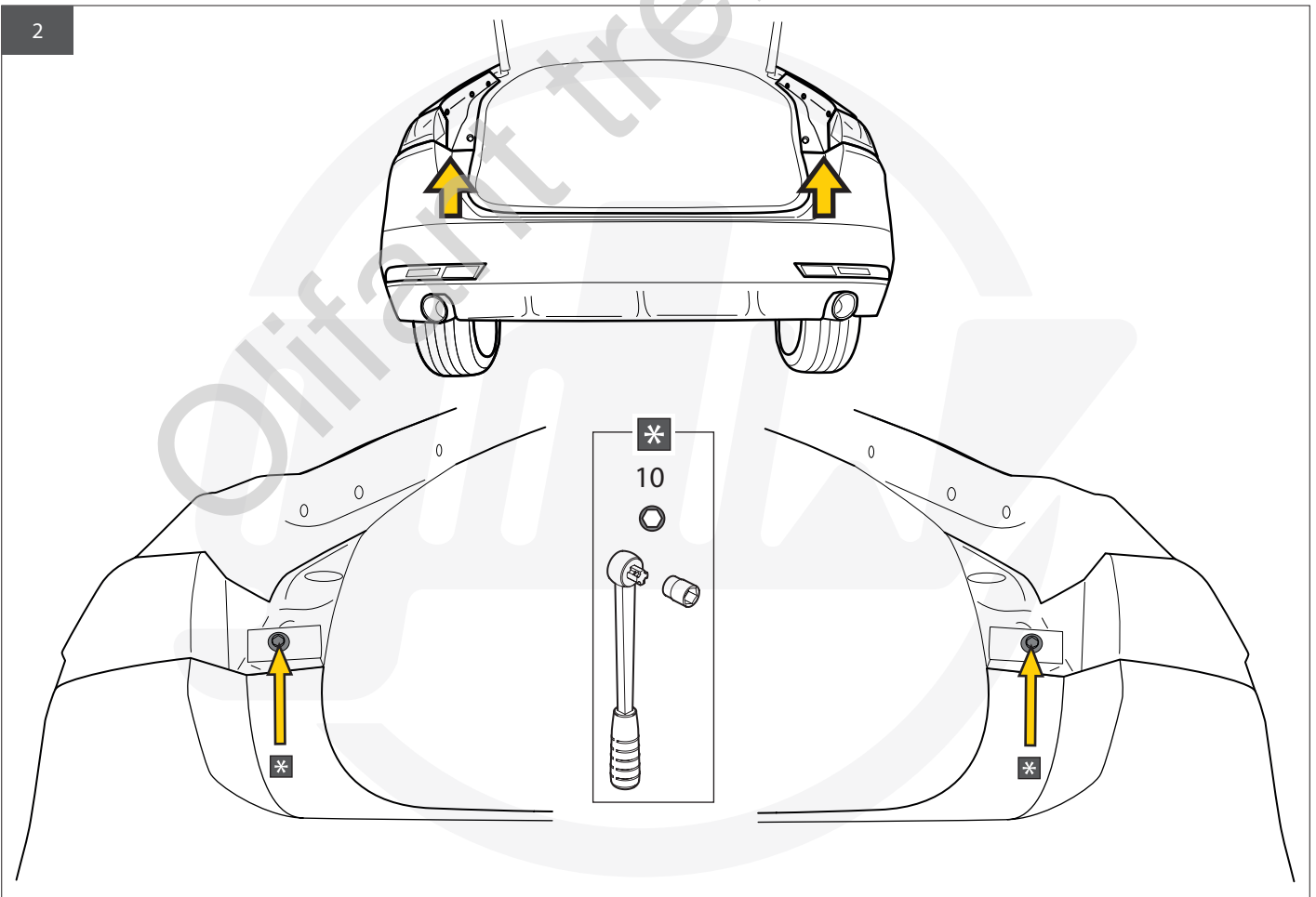


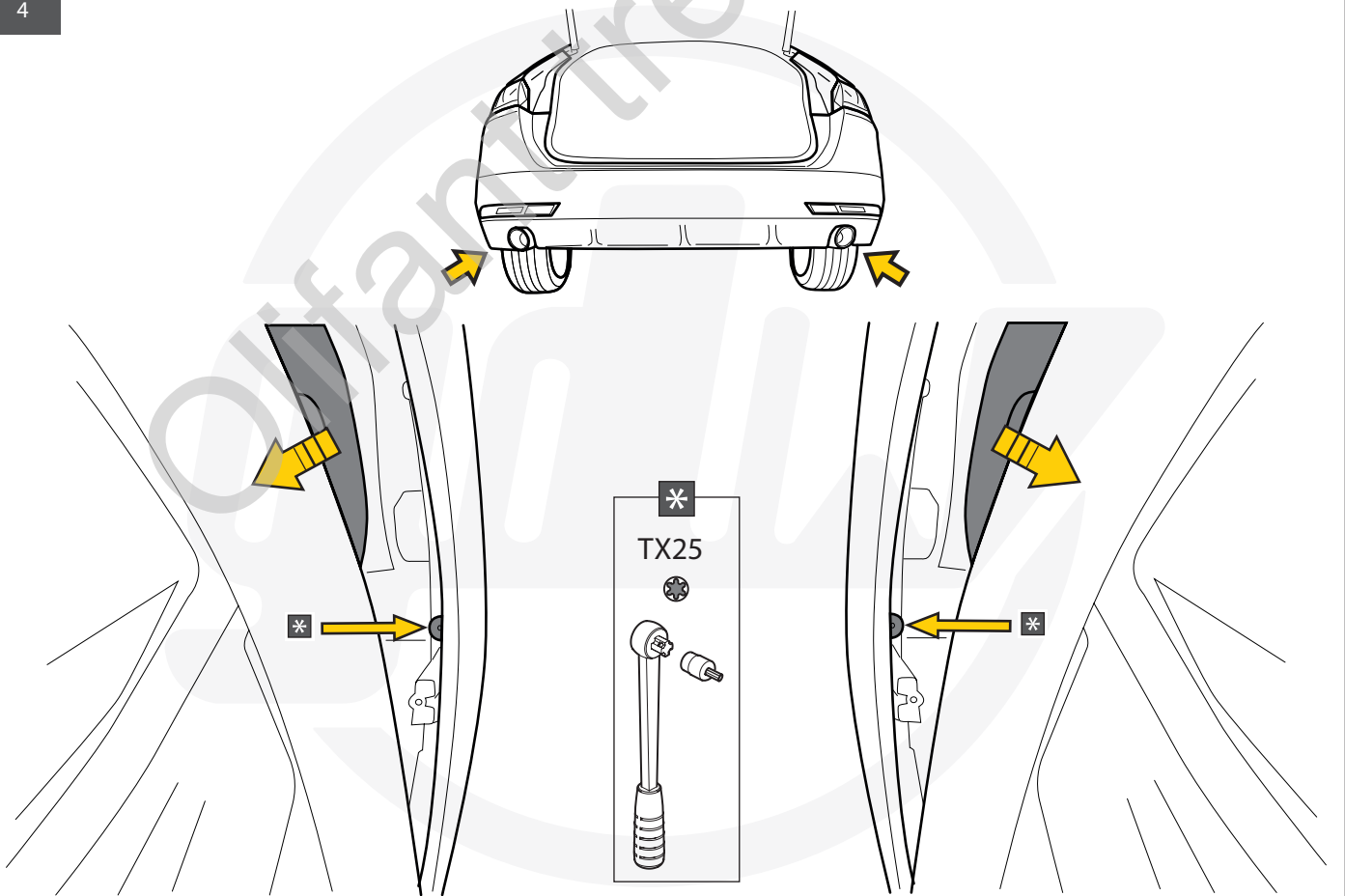
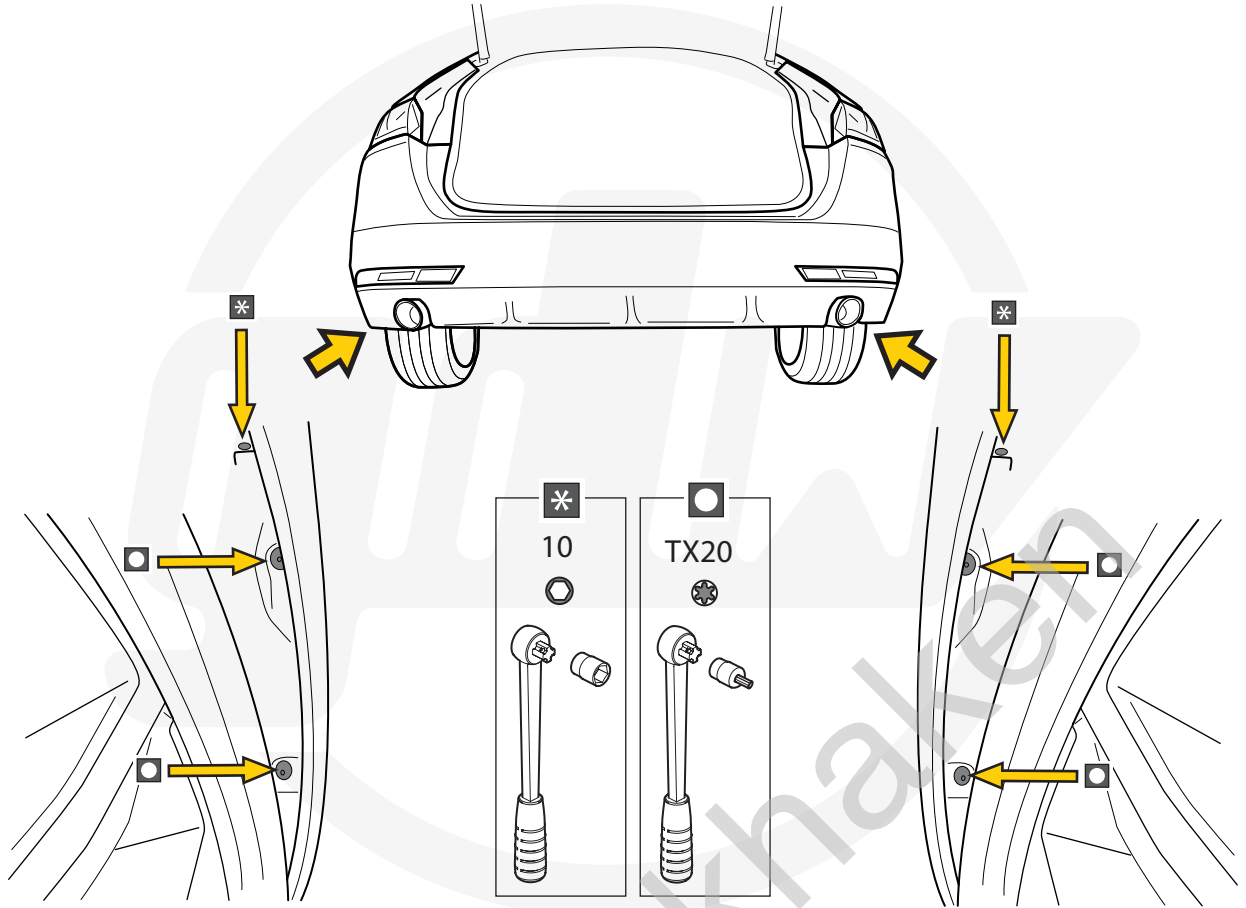
1		x1	GDW REF. 238.7160	-P		x1	GDW REF. P46		Geleverd met - Livré avec - Delivered with Geliefert mit - Elementos adjuntos - Leverages med		x1	GDW REF. 960.V0810
2		x1	GDW REF. 2	↑		x1	DIN985-M6				↑	GDW REF. 740.200
3		x1	GDW REF. 3	↑		x1	GDW REF. 718.16.002				x1	GDW REF. 912.003
4		x8	DIN9021-M8-ELVZ	↑		x1	GDW REF. 718.16.003				x1	GDW REF. 740.112
5		x8	DIN128A-M8	↑		x1	GDW REF. 908.094				↑	GDW REF. 740.111
6		x8	DIN933-M8 X 35	↑		x1	DIN933-M6 X 30				x1	GDW REF. 740.114
7		x6	DIN125-A10-14OHV-ELVZ	↑		x1	GDW REF. 908.101				x1	GDW REF. 718.15.001
8		x8	DIN128A-M10	↑		x1					x1	GDW REF. SYST60-10
9		x6	DIN934-M10	↑		x1					x1	GDW REF. SYST60-10
10		x8	DIN933-M10 X 35	↑		x1					x1	GDW REF. SYST60-10
11		x2	DIN9021-M10-ELVZ	↑		x1					x3	DIN931-M12X110-8.8
-V		x1	GDW REF. 908.101	↑		x1					x3	DIN931-M12X110-8.8
											x3	DIN128A-M12
											x6	DIN125A-M12
											x3	DIN934-M12

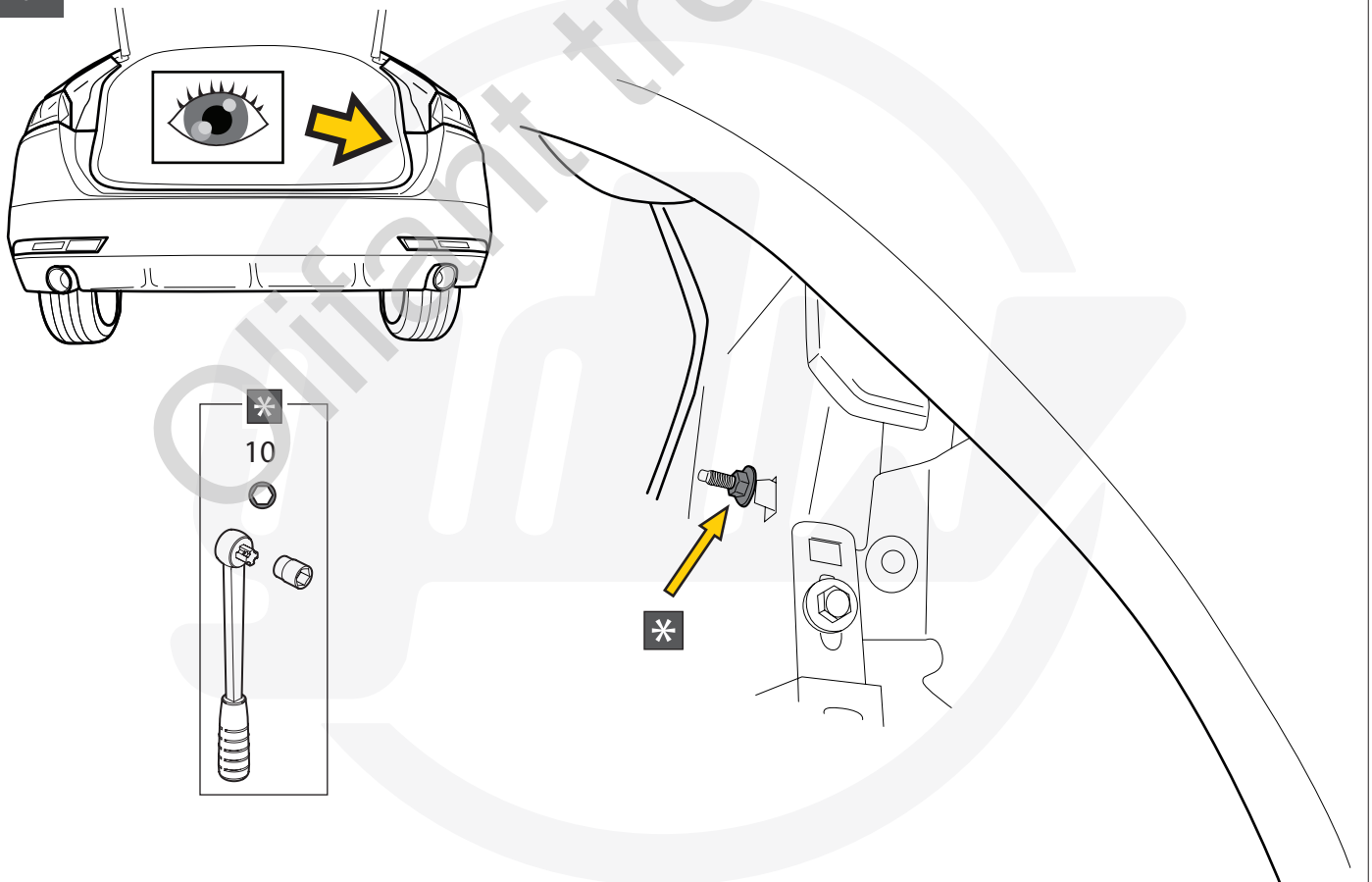
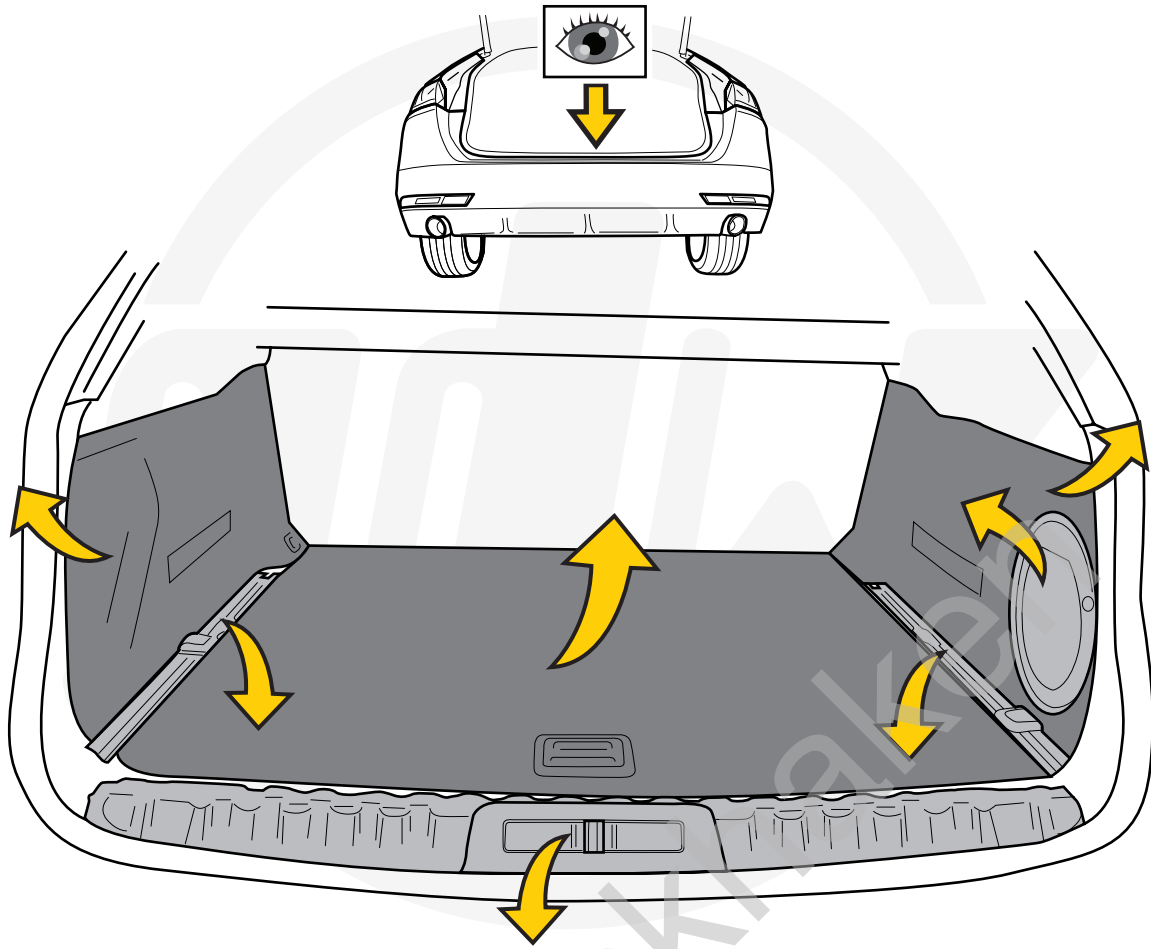
1



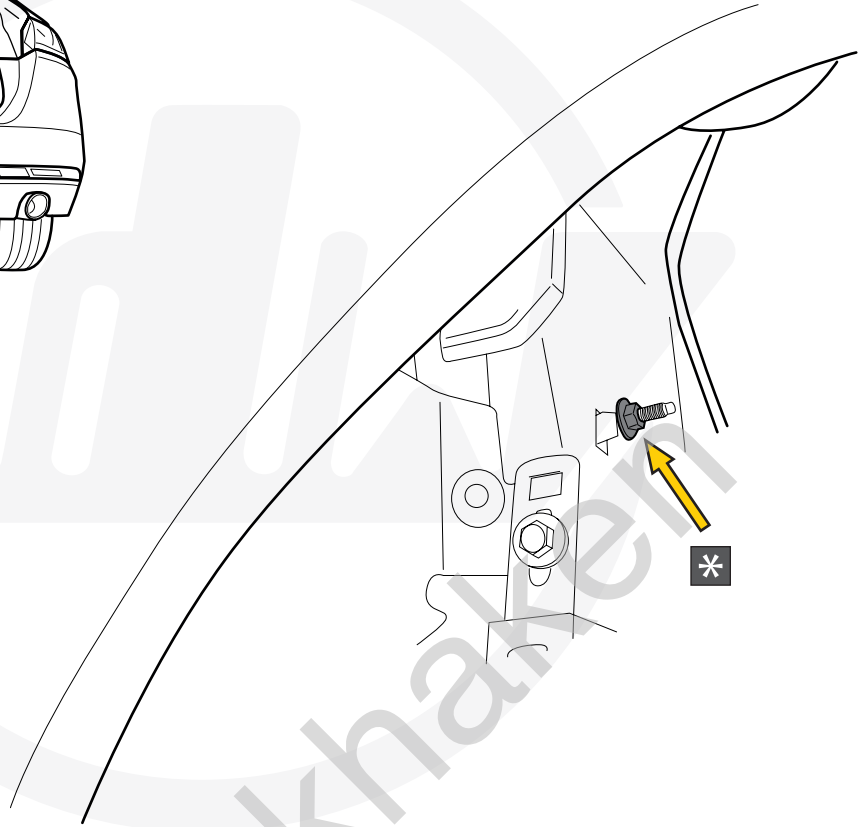
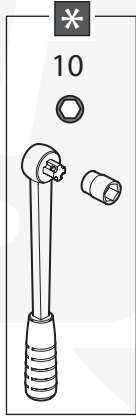
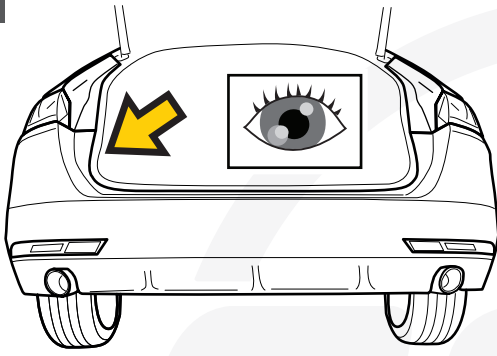
2



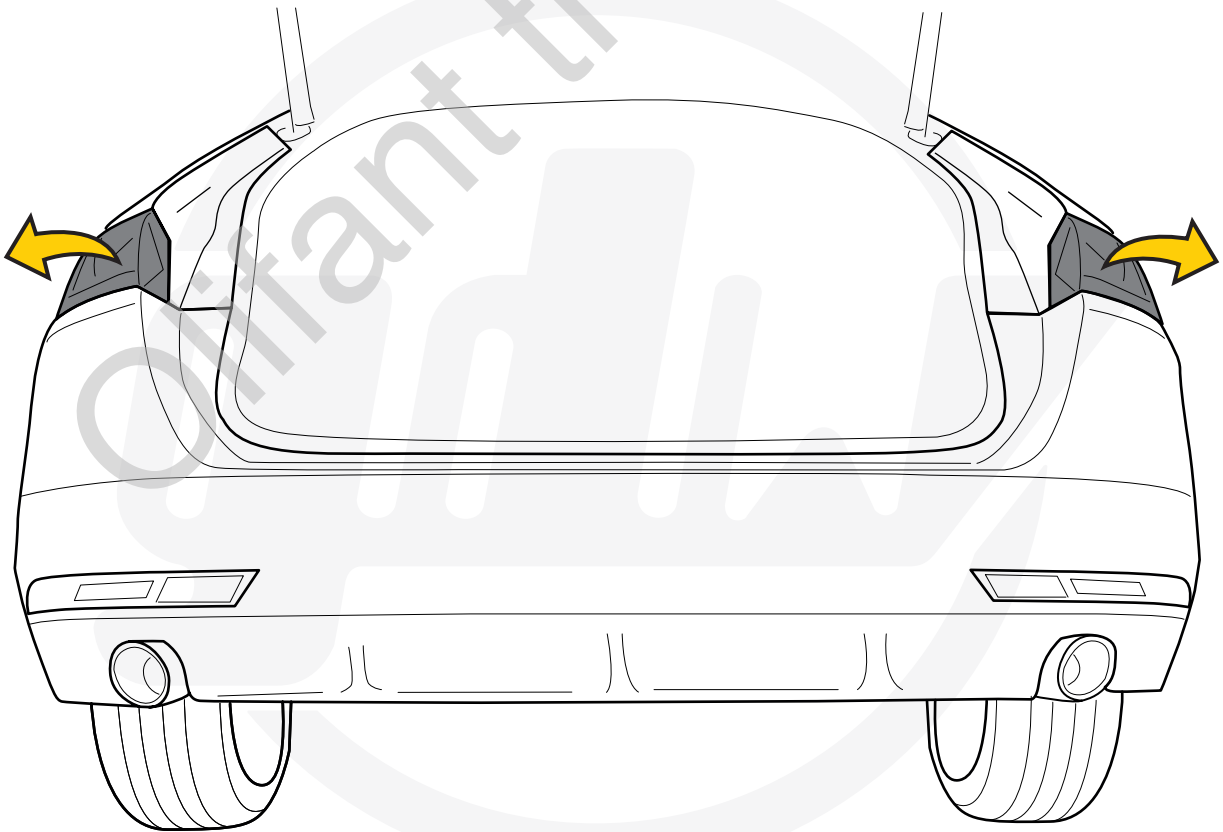




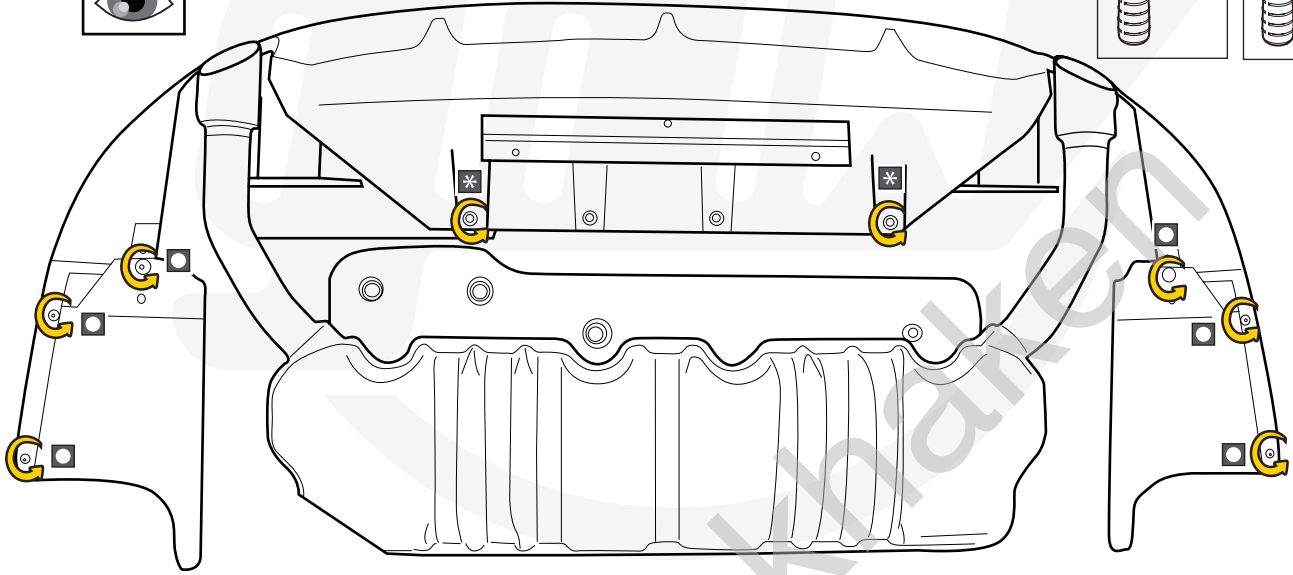
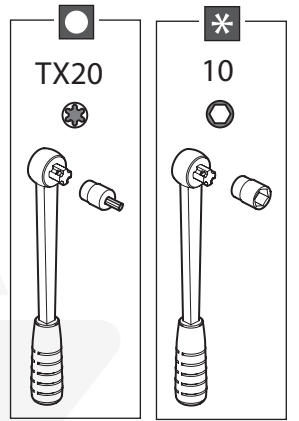
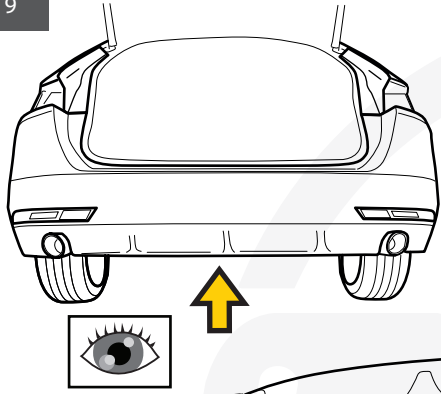
7



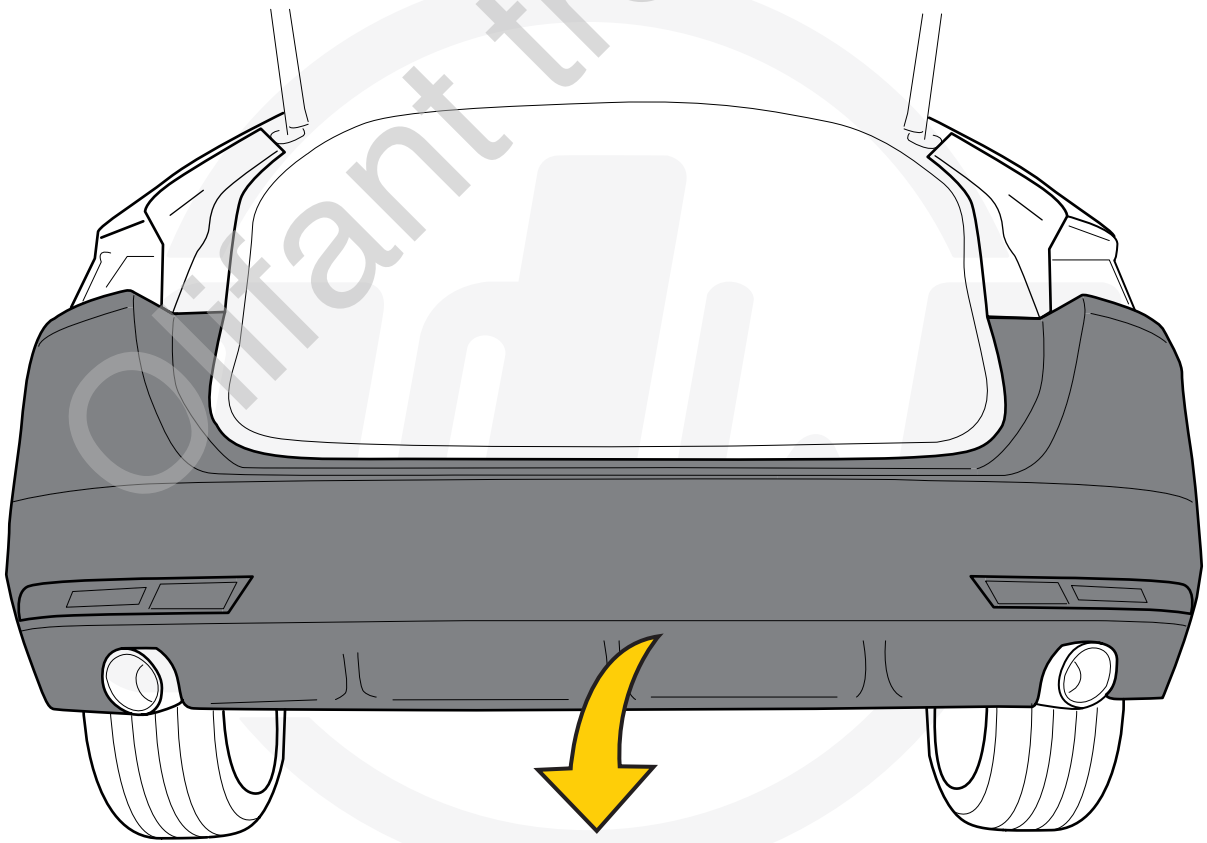
8

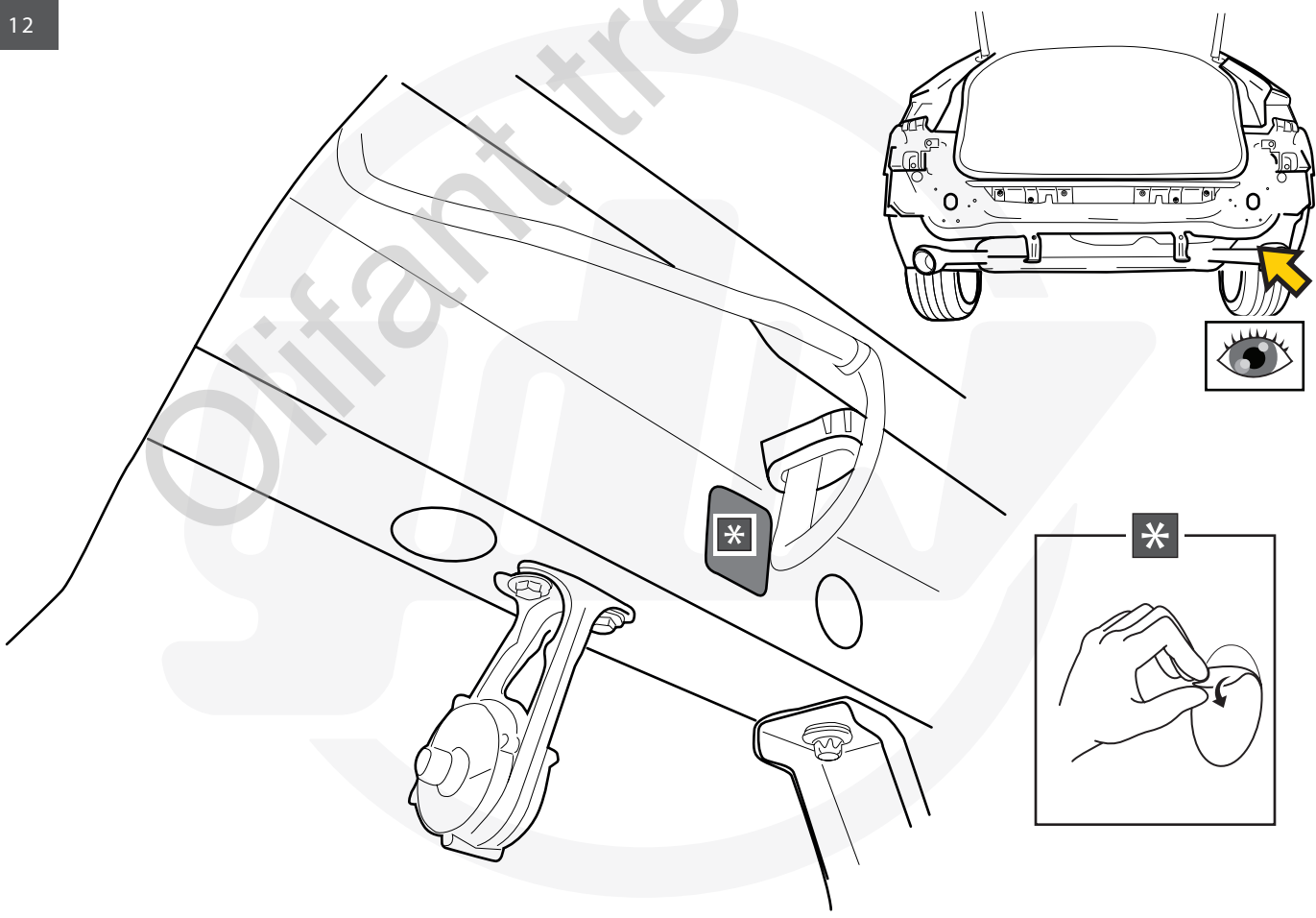
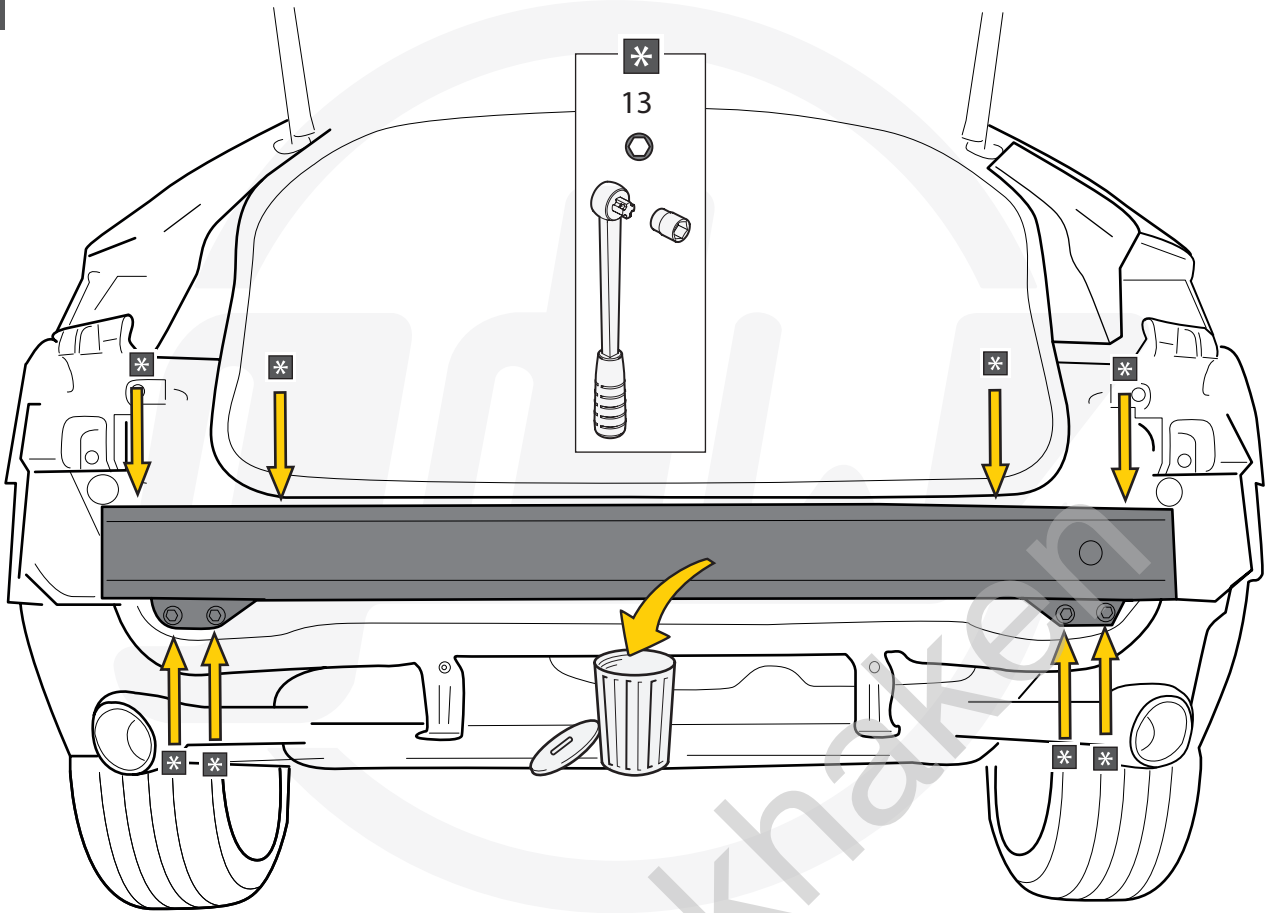


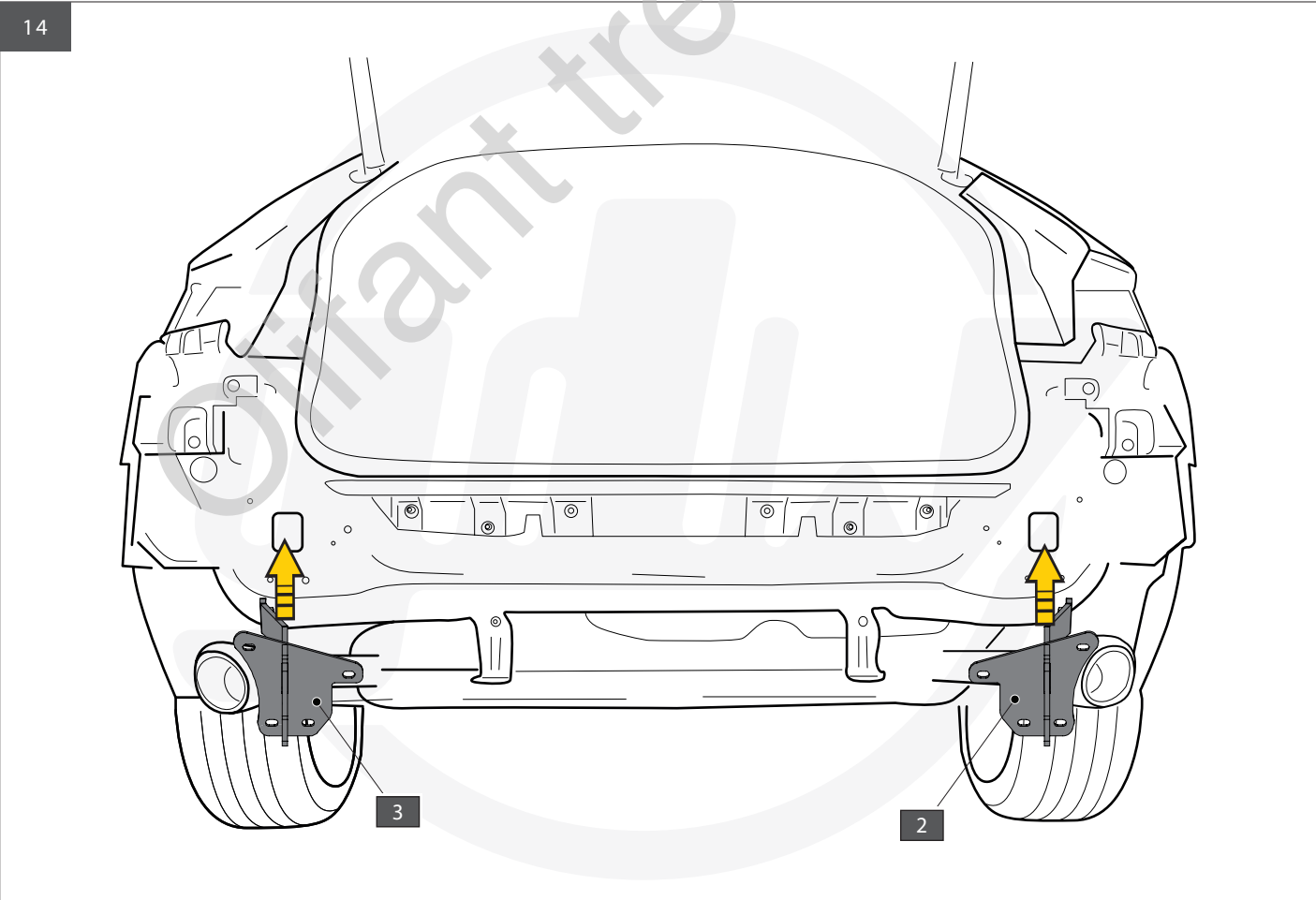
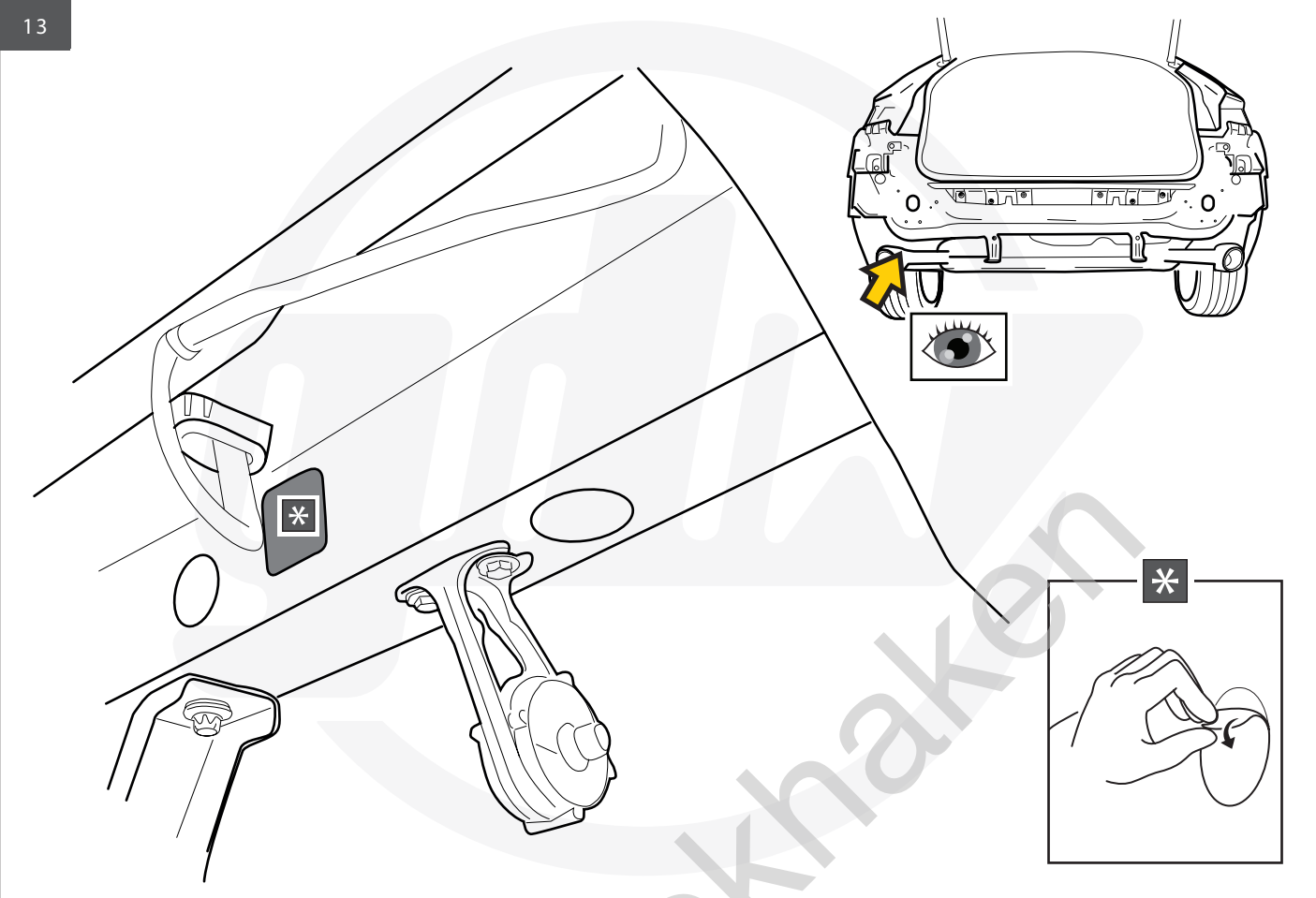
9

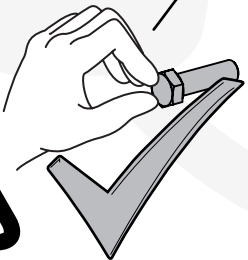
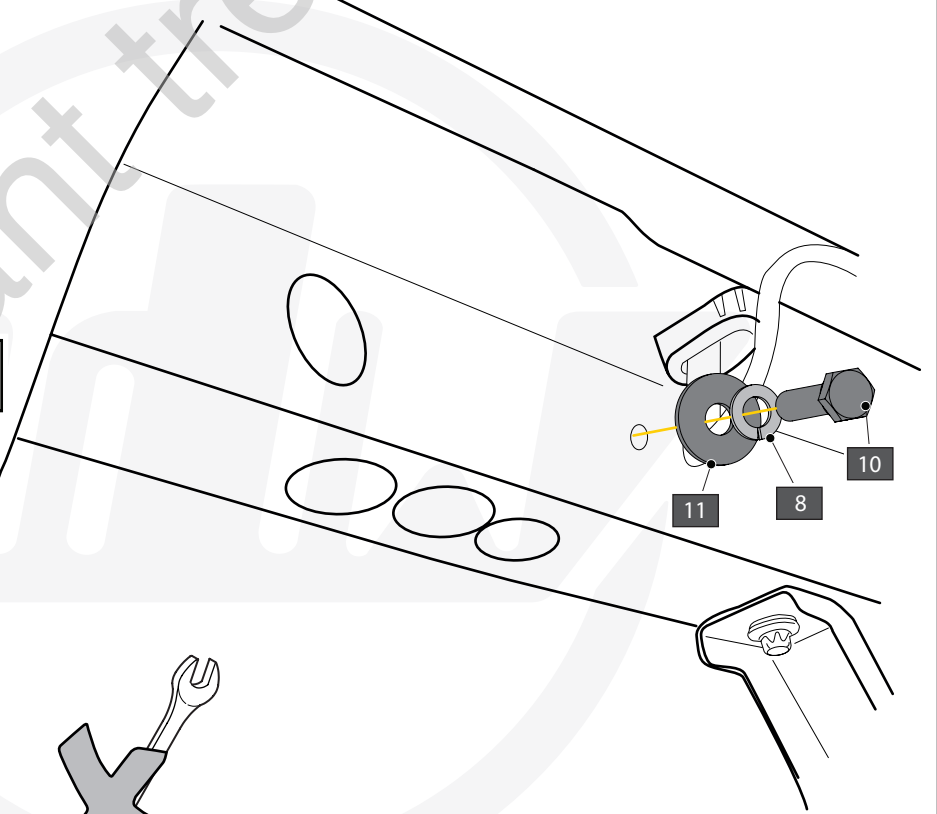
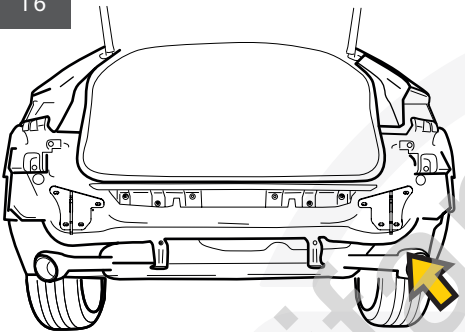
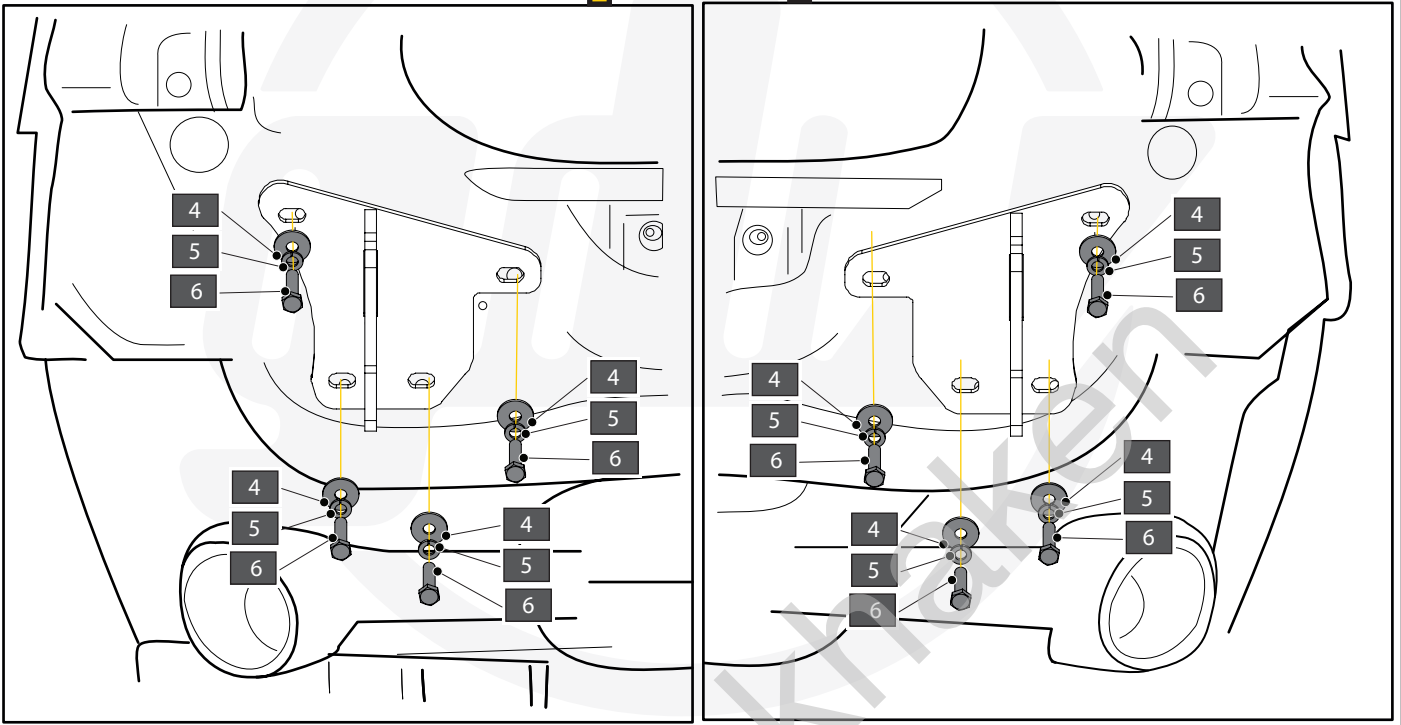
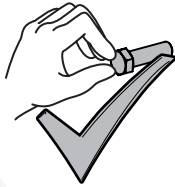
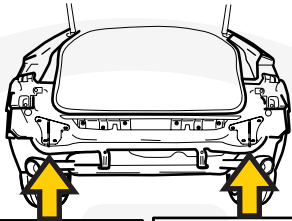


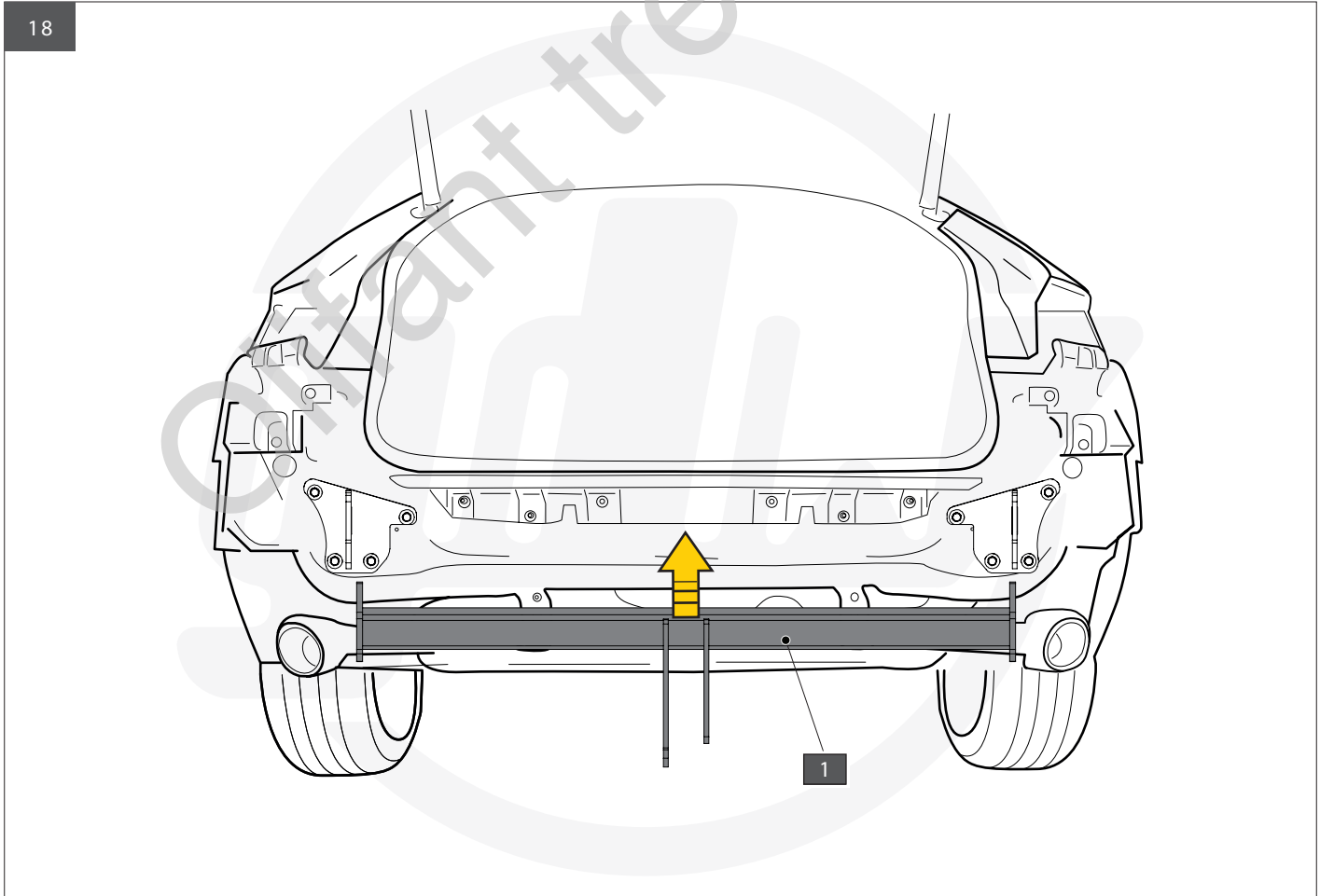
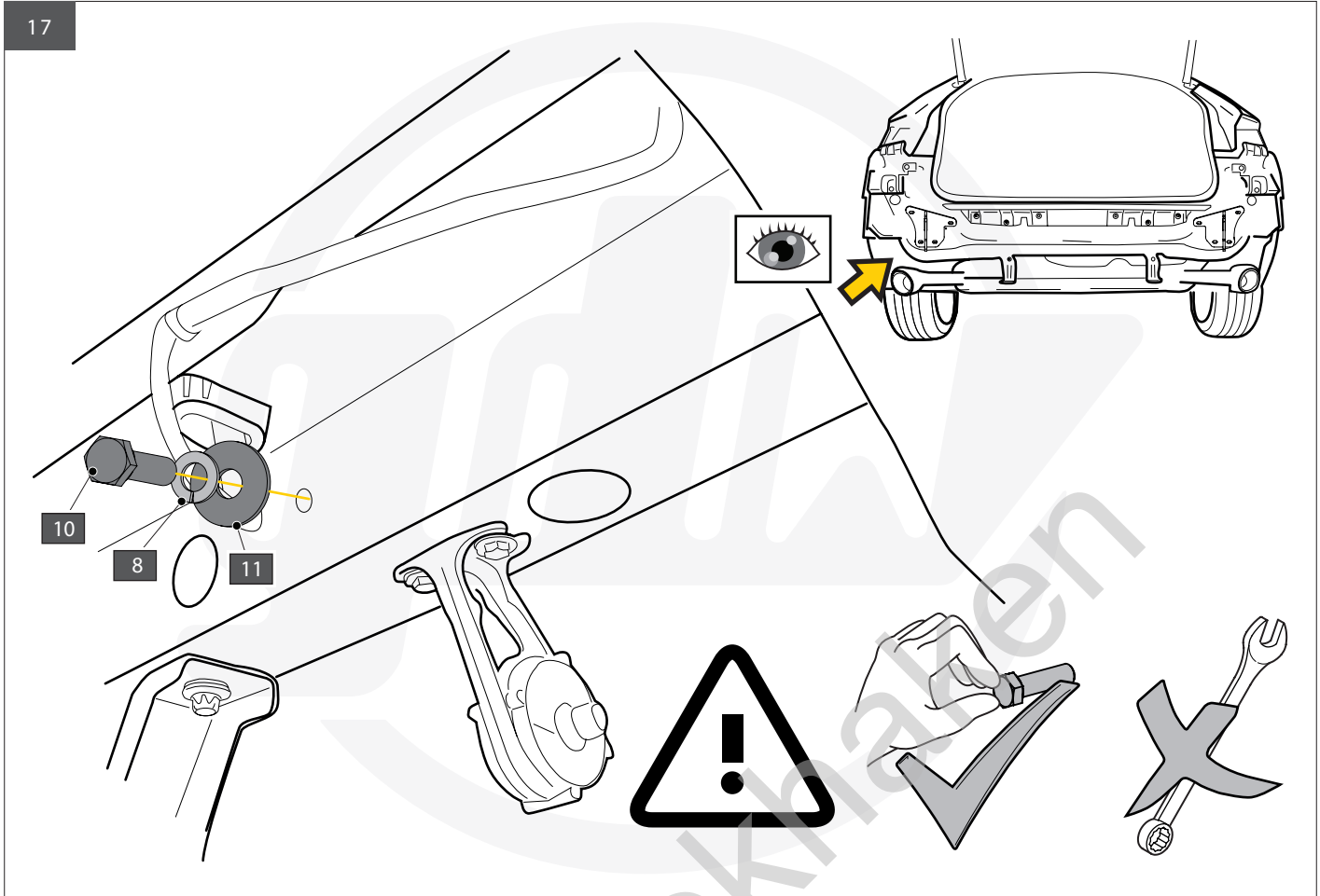
10



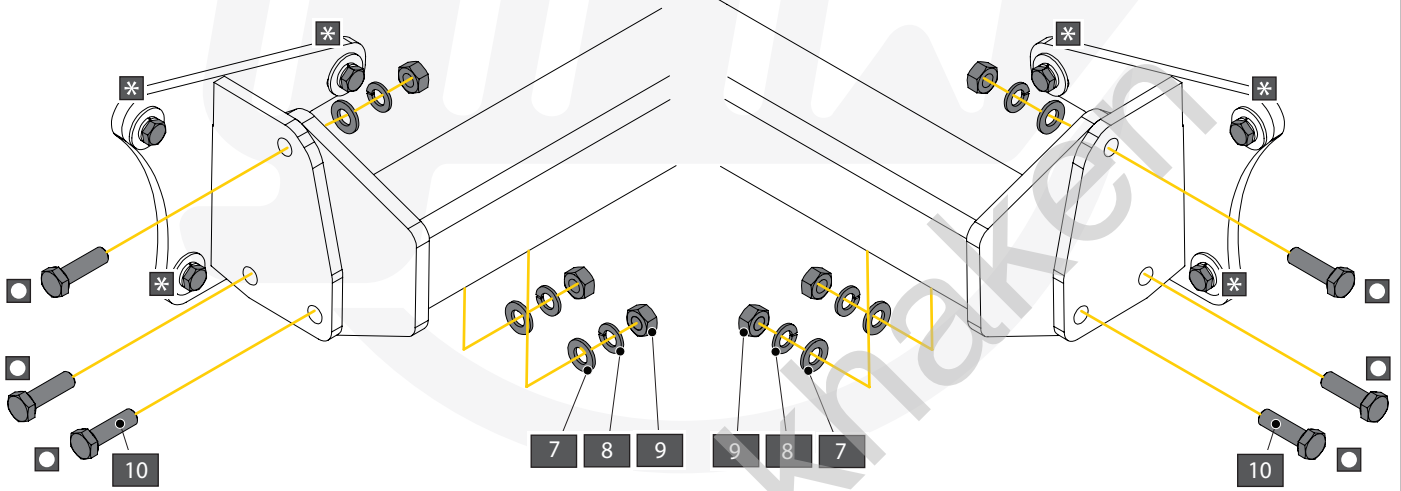
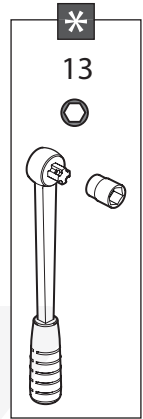
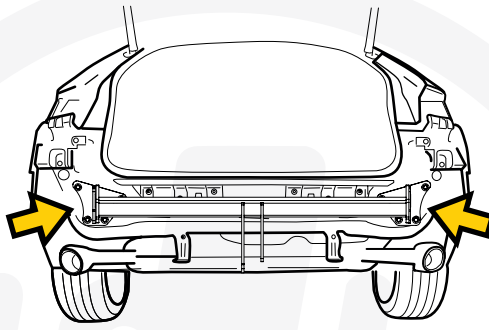
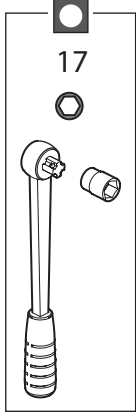




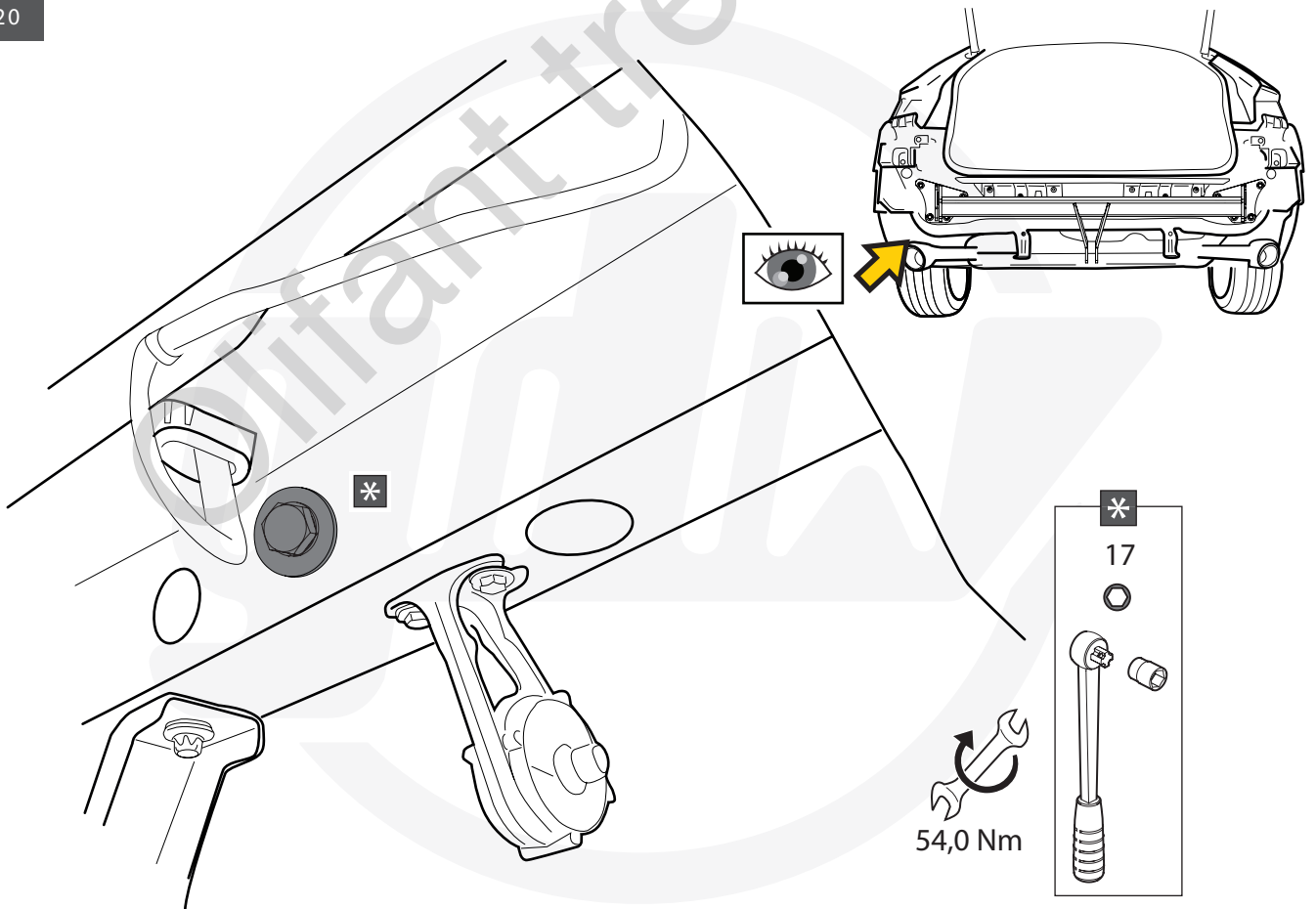


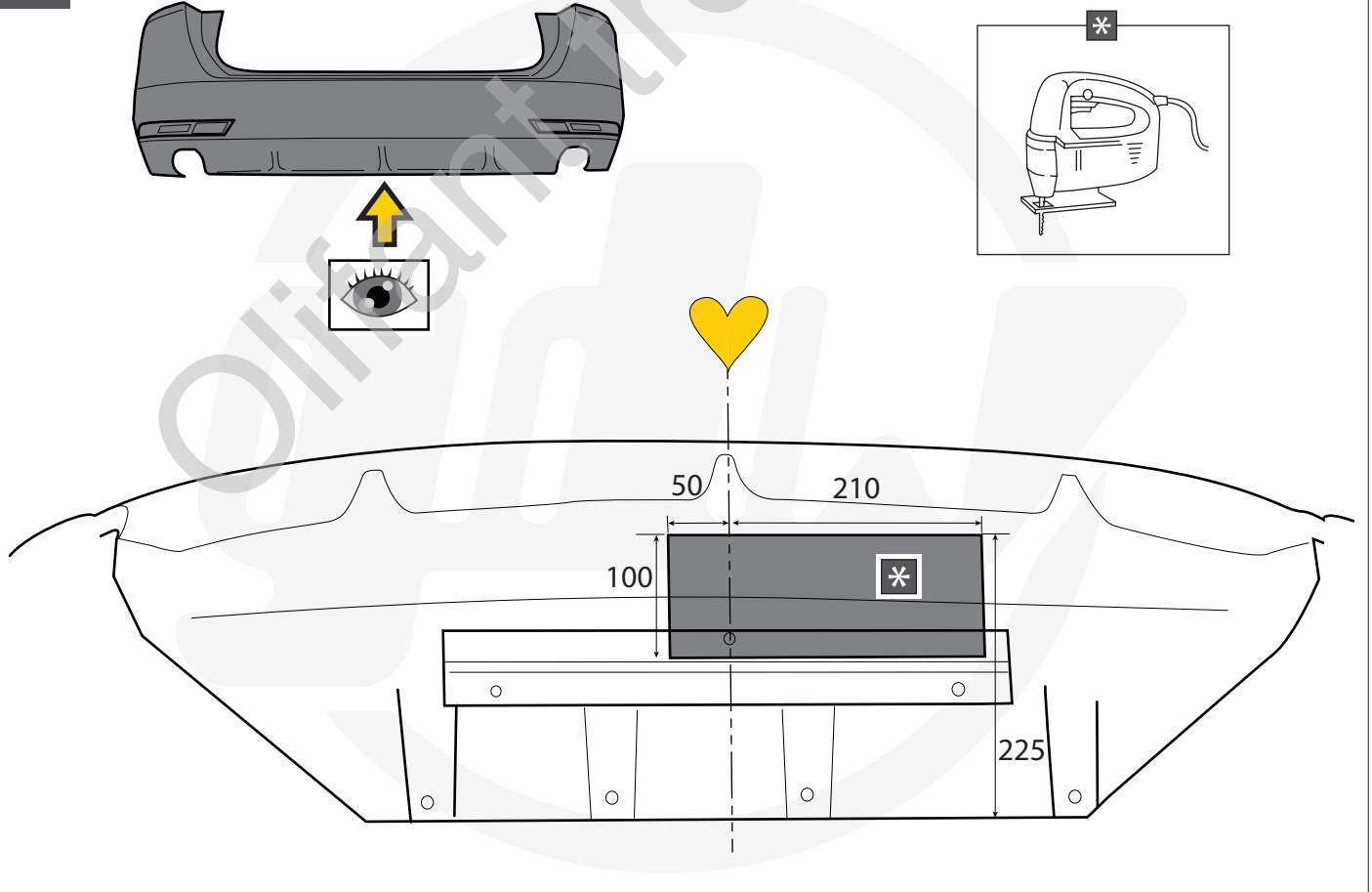
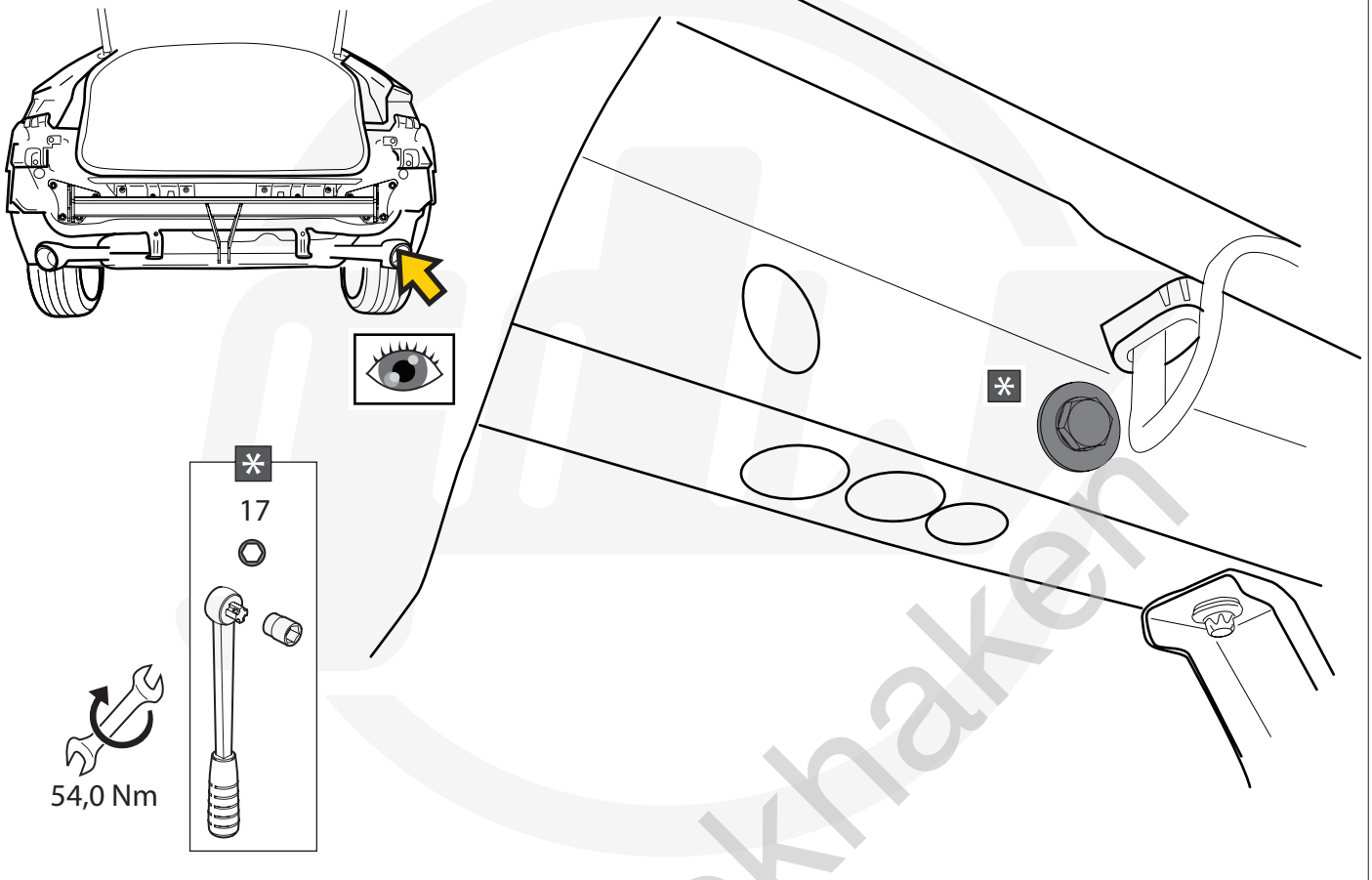


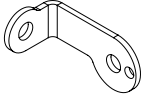



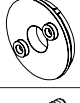

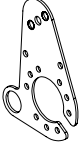
19

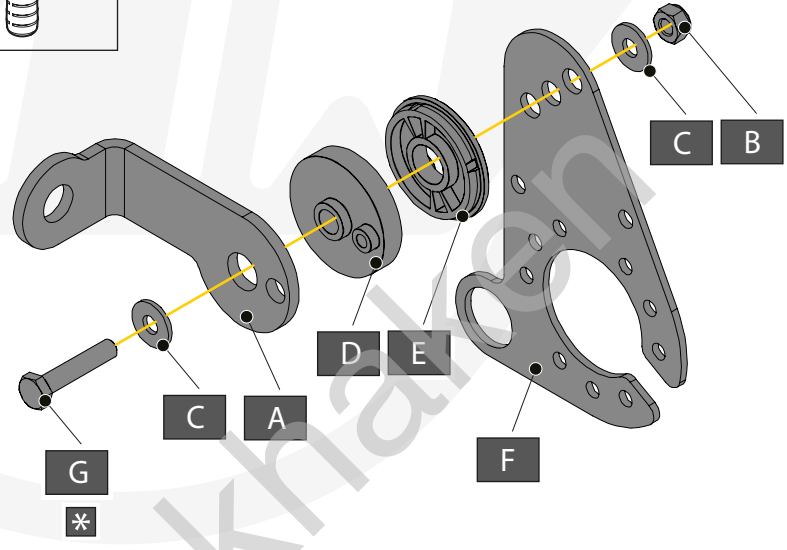
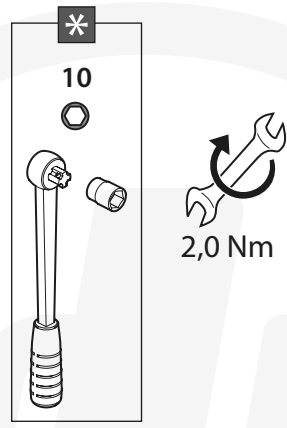


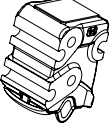
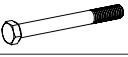



20

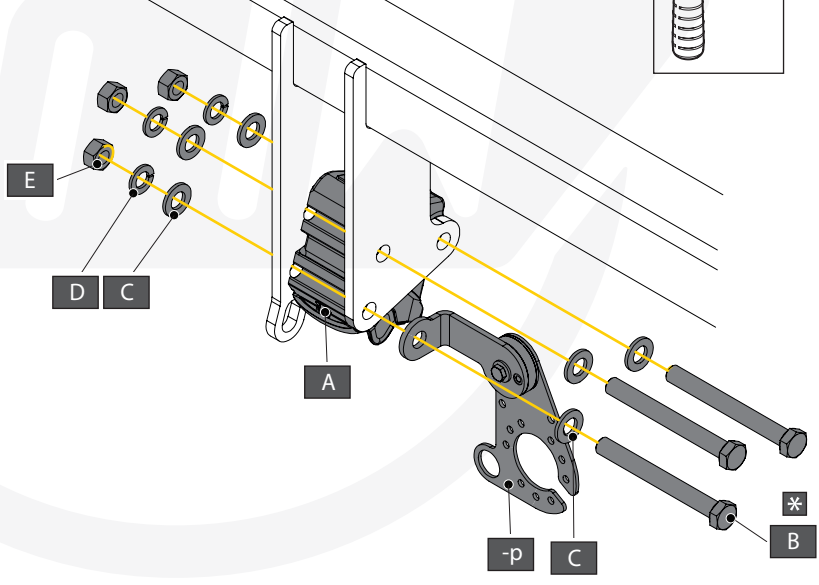
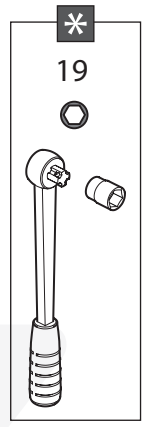


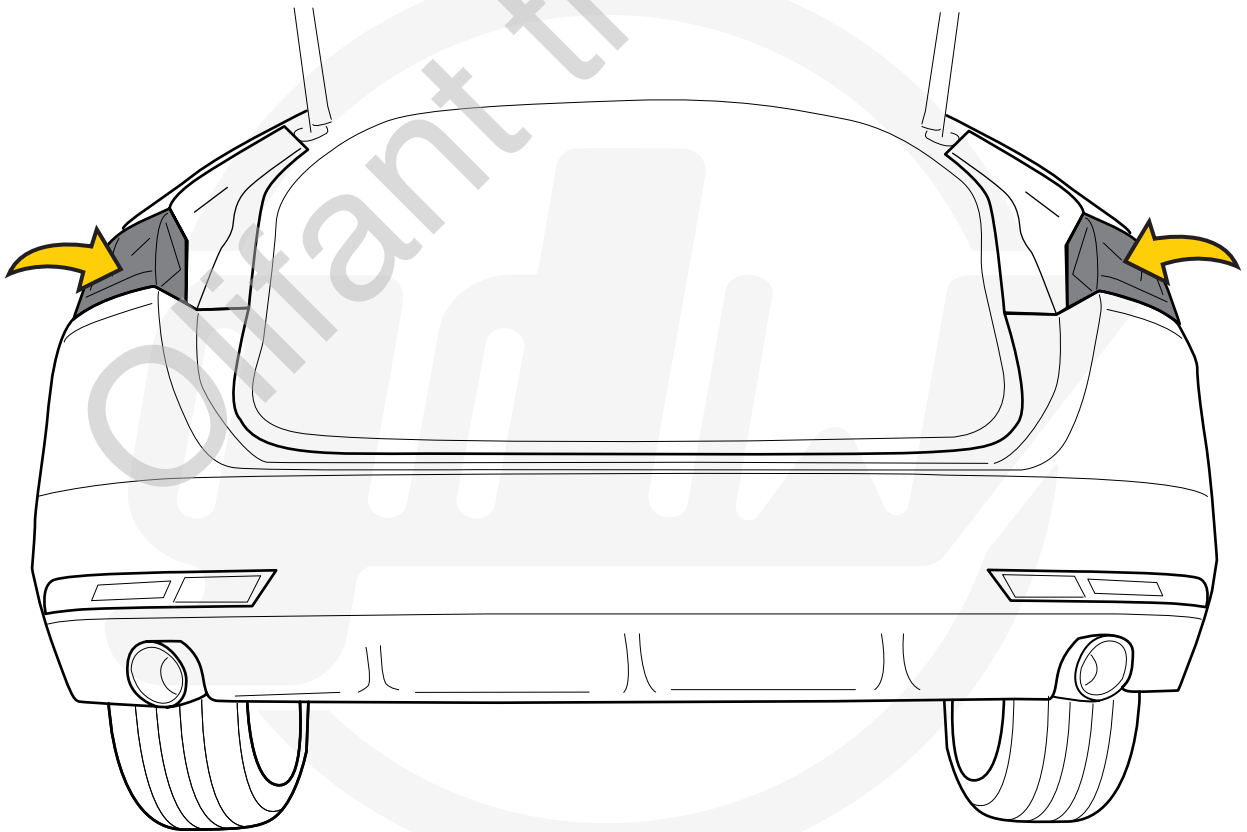
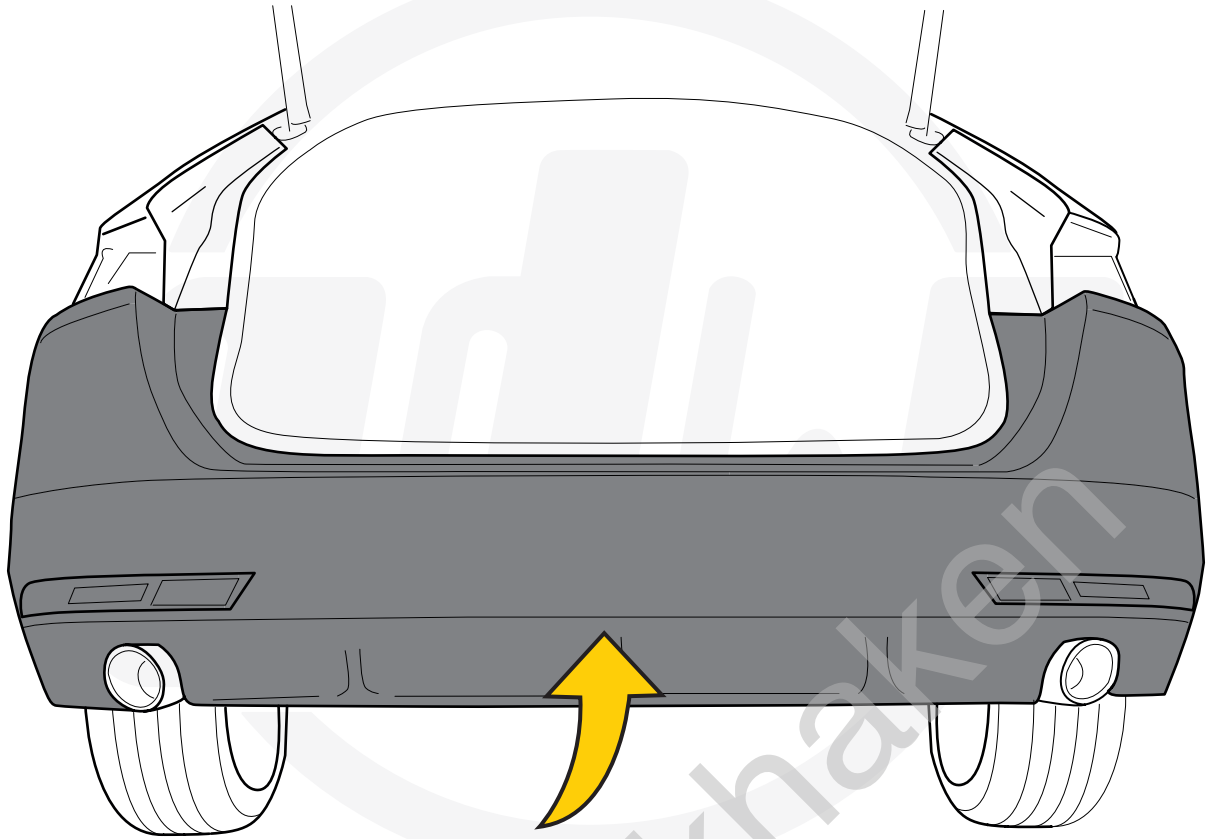


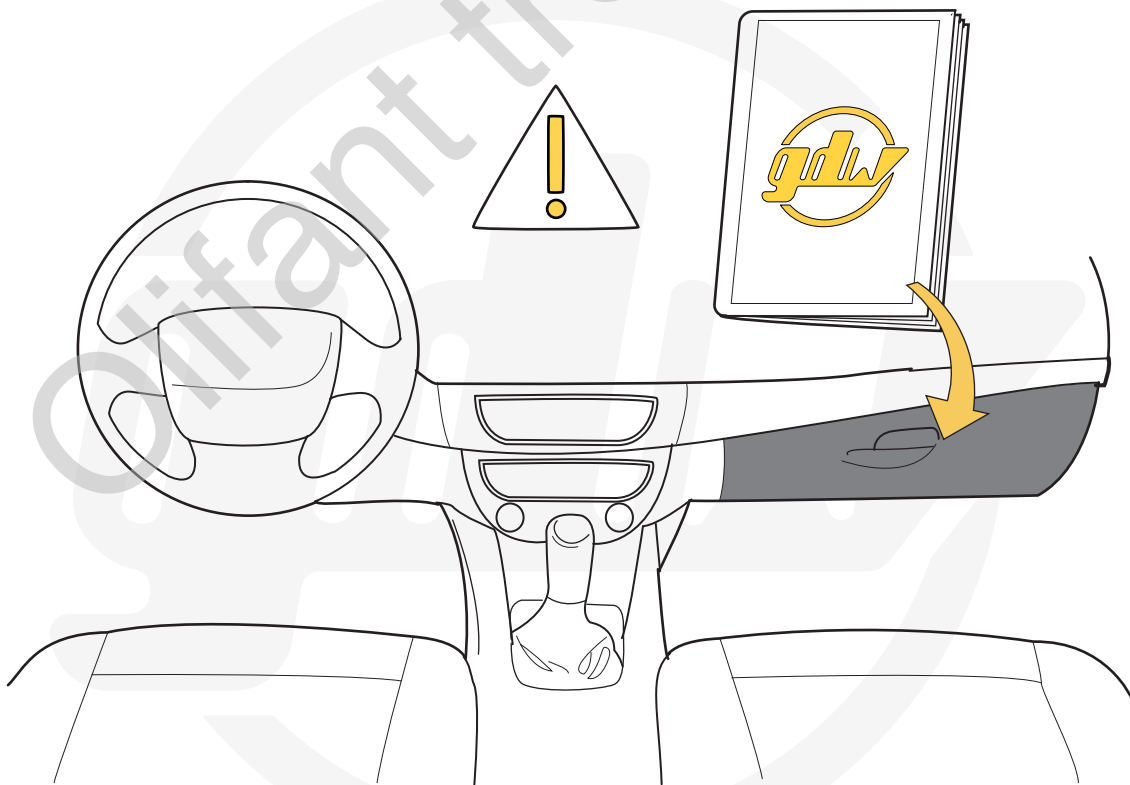
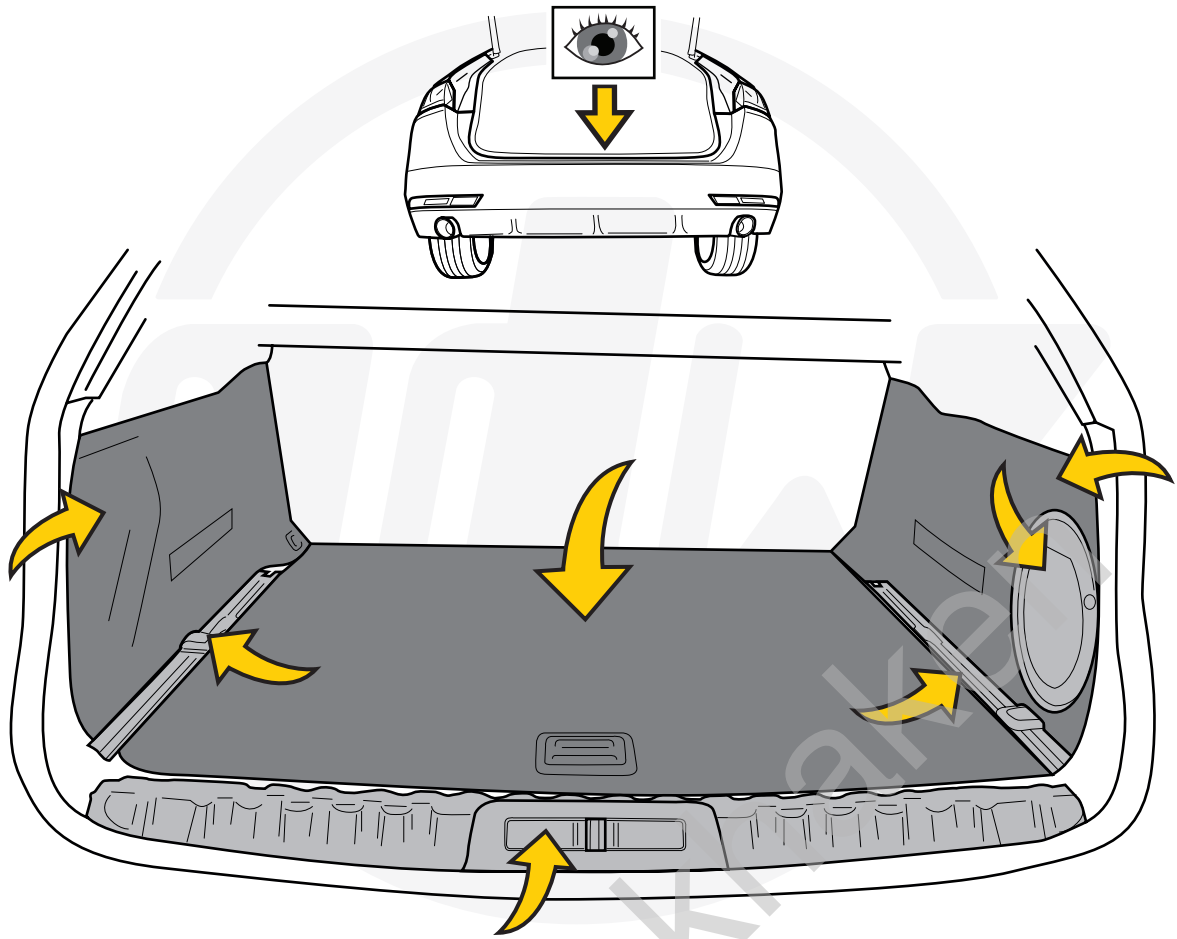
A		X1	GDW REF. 908.101
B		X1	DIN985-M6
C		X2	Ø15,4 X 6,2 X 1,6 (NYLON)
D		X1	GDW REF. 718.16.002
E		X1	GDW REF. 718.16.003
F		X1	DIN933-M6 X 30
G		X1	GDW REF. 908.094

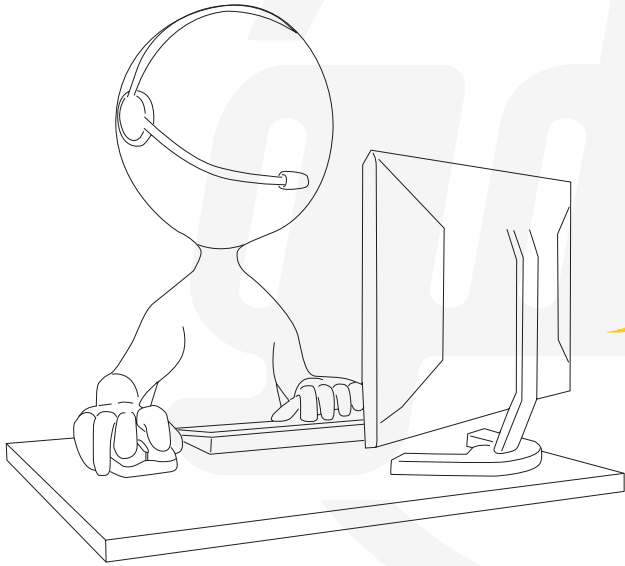


A		X1	GDW REF. 912.003
B		X3	DIN931-M12X110-8.8
C		X6	DIN125A-M12
D		X3	DIN128A-M12
E		X3	DIN934-M12









helpdesk@gdwtowbars.com
+32 56 62 77 79

Monday	08:00 - 12:00	12:30 - 16:30
Tuesday	08:00 - 12:00	12:30 - 16:30
Wednesday	08:00 - 12:00	12:30 - 16:30
Thursday	08:00 - 12:00	12:30 - 16:30
Friday	08:00 - 12:00	12:30 - 15:30

Olifant trekhaken