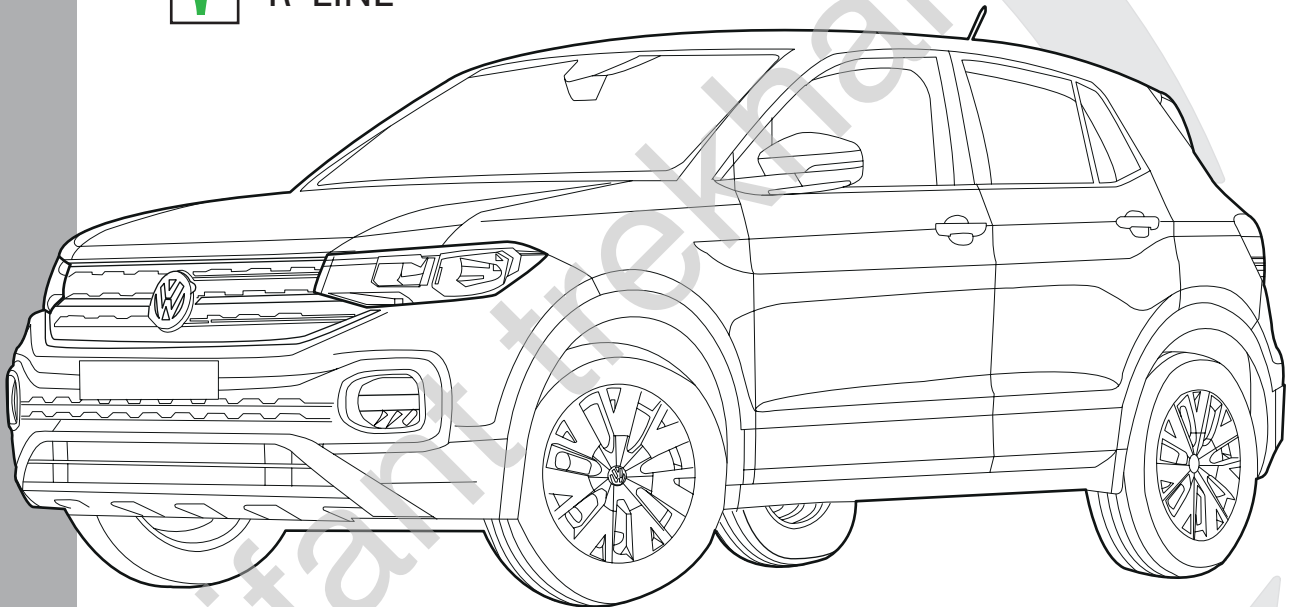


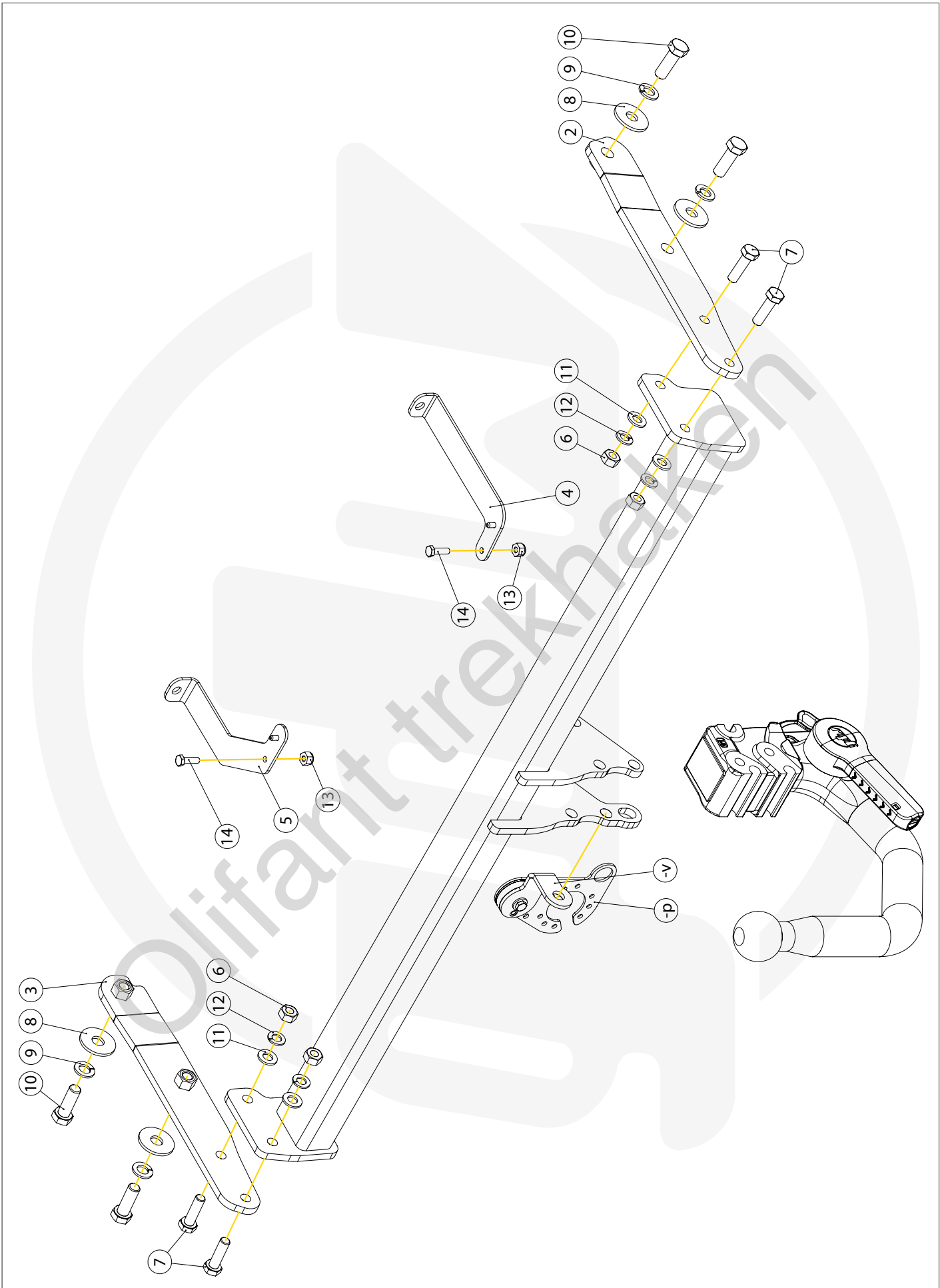


# Volkswagen T-Cross

12/'18-

- STANDARD
- R-LINE



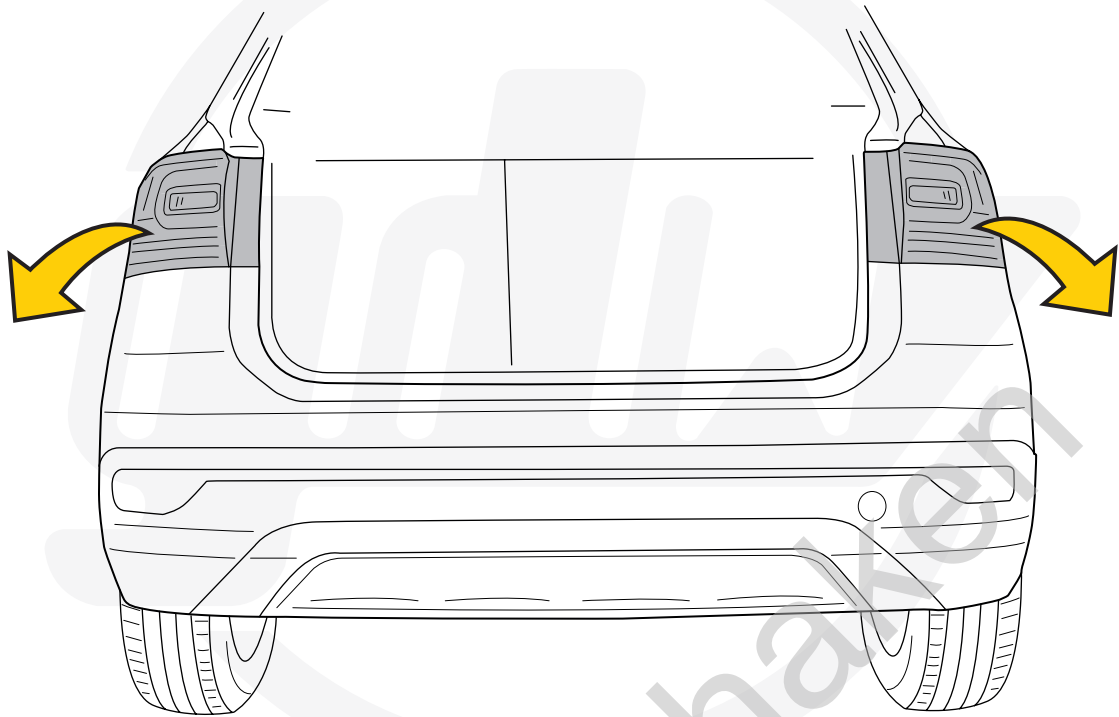


1		X1	GDW REF. 2385T160
2		X1	GDW REF. 2
3		X1	GDW REF. 3
4		X1	GDW REF. 4
5		X1	GDW REF. 5
6		X4	DIN934-M10
7		X4	DIN933-M10 X 35
8		X4	DIN9021-M12-ELVZ
9		X4	DIN128A-M12
10		X4	DIN933-M12 X 35
11		X4	DIN125-A10-140HV-ELVZ
12		X4	DIN128A-M10
13		X2	DIN985-M6
14		X2	DIN933-M6 X 20
-V		X1	GDW REF. 908.095

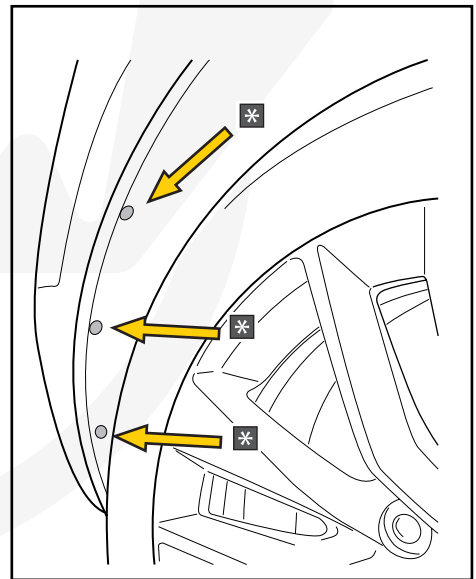
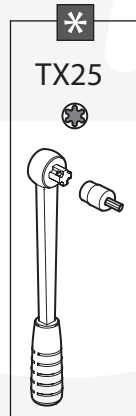
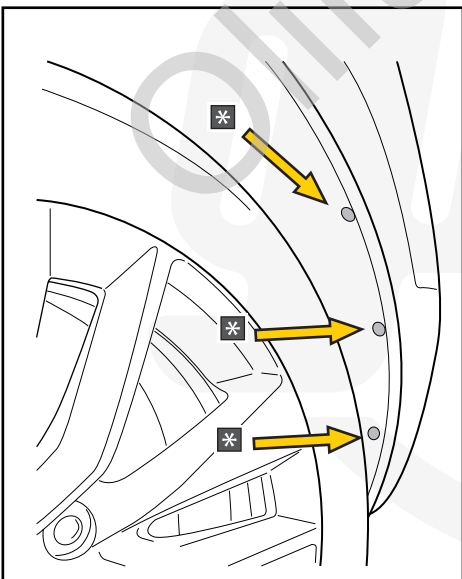
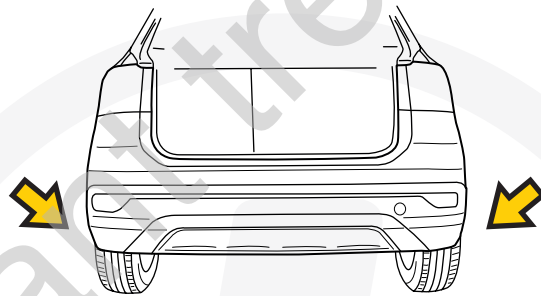
-P		X1	GDW REF. P39
↑		X1	DIN985-M6
↑		X2	6,2 X 15,4 X 1,6 (NYLON)
↑		X1	GDW REF. 718.16.002
↑		X1	GDW REF. 718.16.003
↑		X1	GDW REF. 908.094
↑		X1	DIN933-M6 X 30
↑		X1	GDW REF. 908.095

Geleverd met - Livré avec - Delivered with Geliefert mit - Elementos adjuntos-Leveres med		X1	GDW REF. 960.W0620
	↑ 	X1	GDW REF. 740.200
		X1	GDW REF. 912.003
	↑ 	X1	GDW REF. 740.112
	↑ 	X1	GDW REF. 740.111
		X1	GDW REF. 740.114
		X1	GDW REF. 718.15.001
		X1	GDW REF. SYST60-10
	↑ 	X3	DIN931-M12X110-8.8
	↑ 	X3	DIN128A-M12
	↑ 	X6	DIN125A-M12

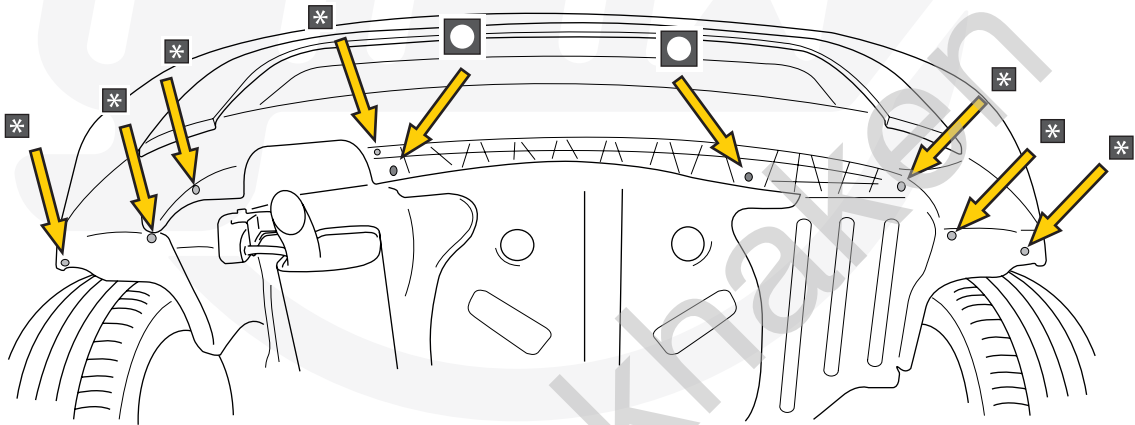
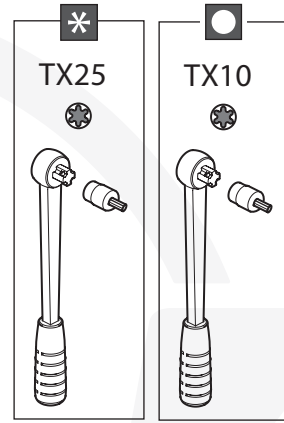
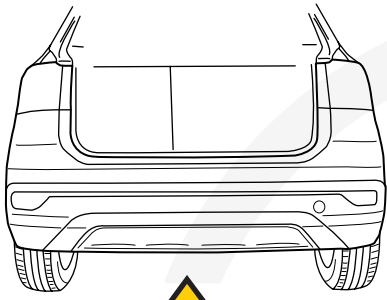
1



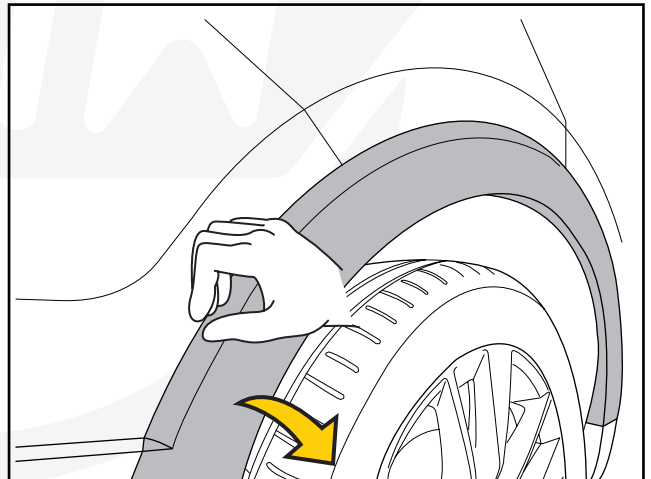
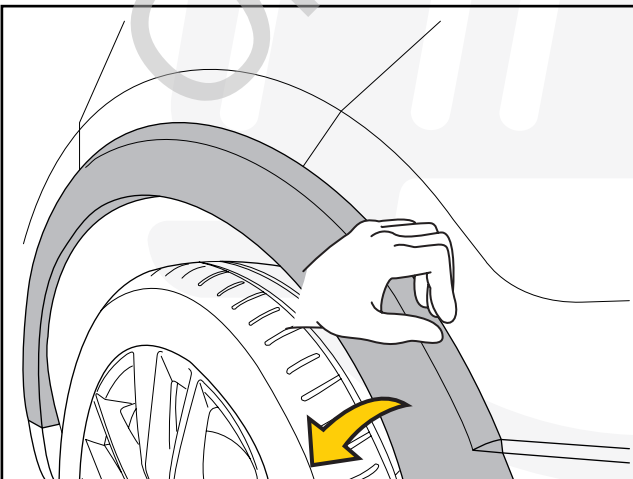
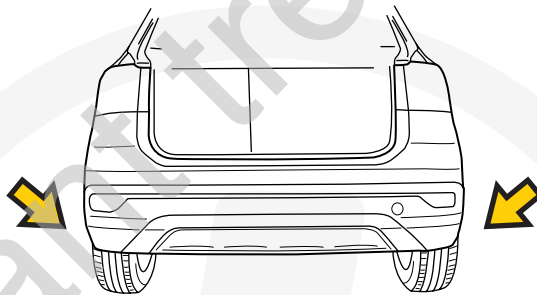
2



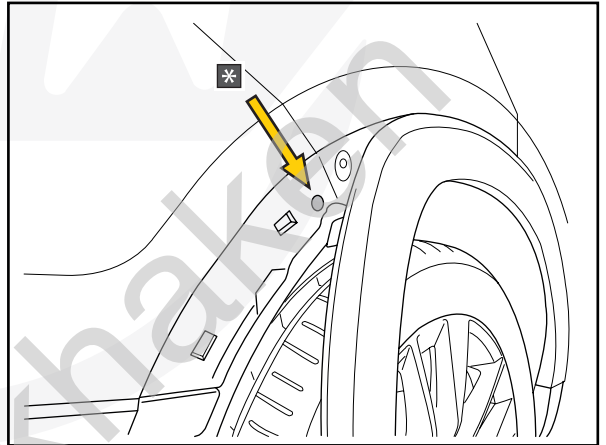
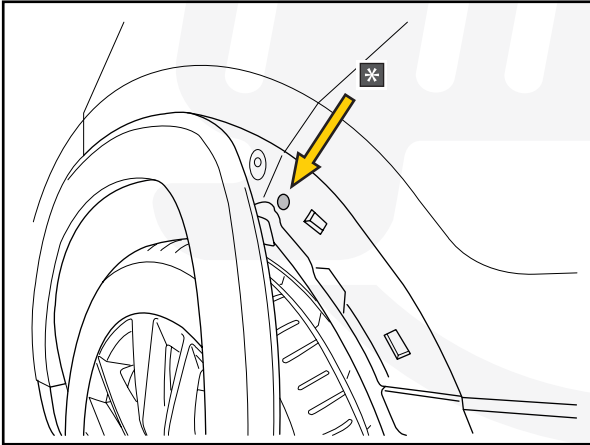
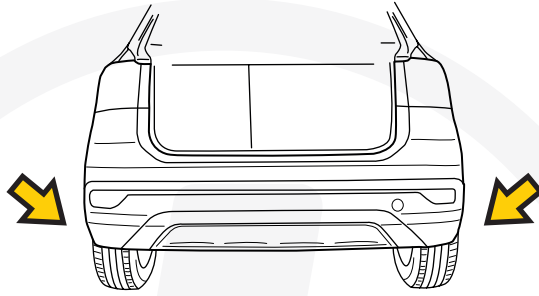
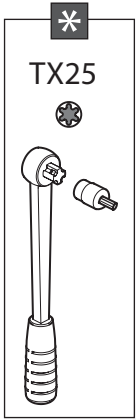
3



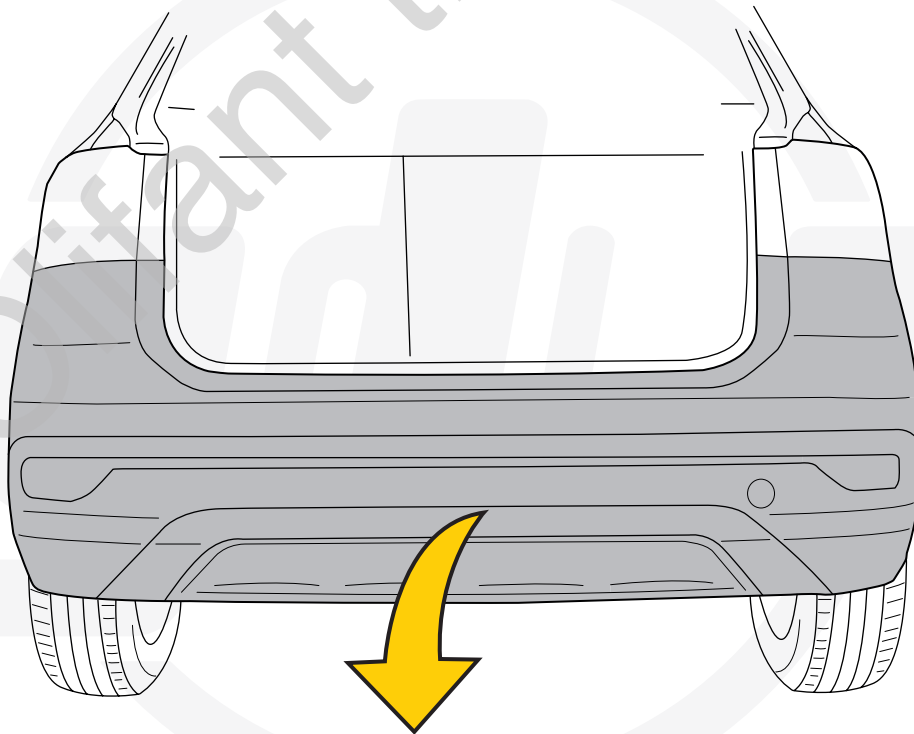
4

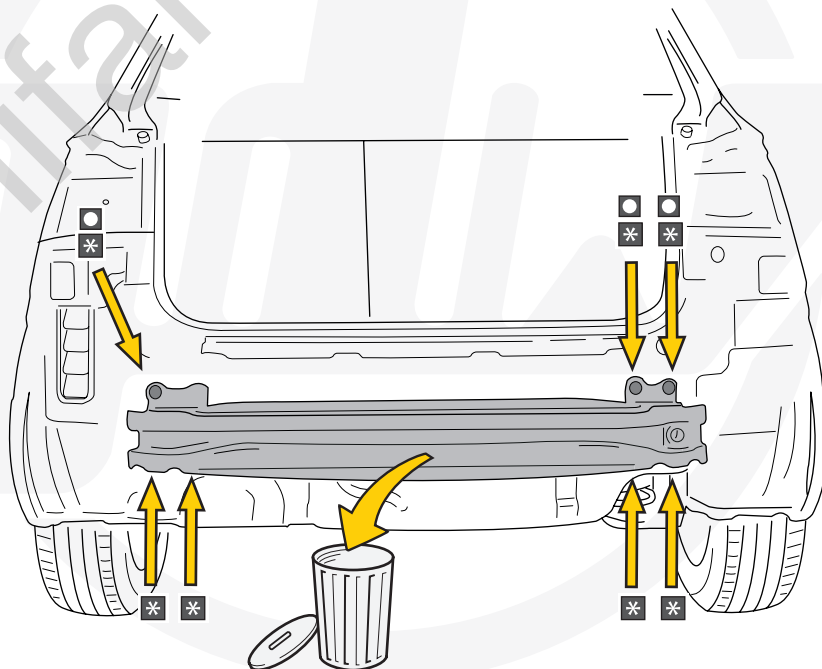
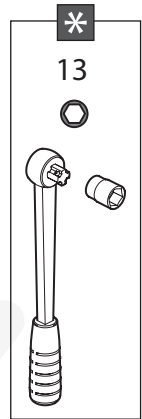
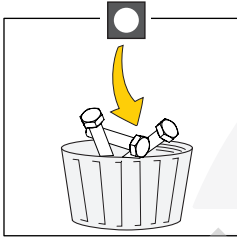
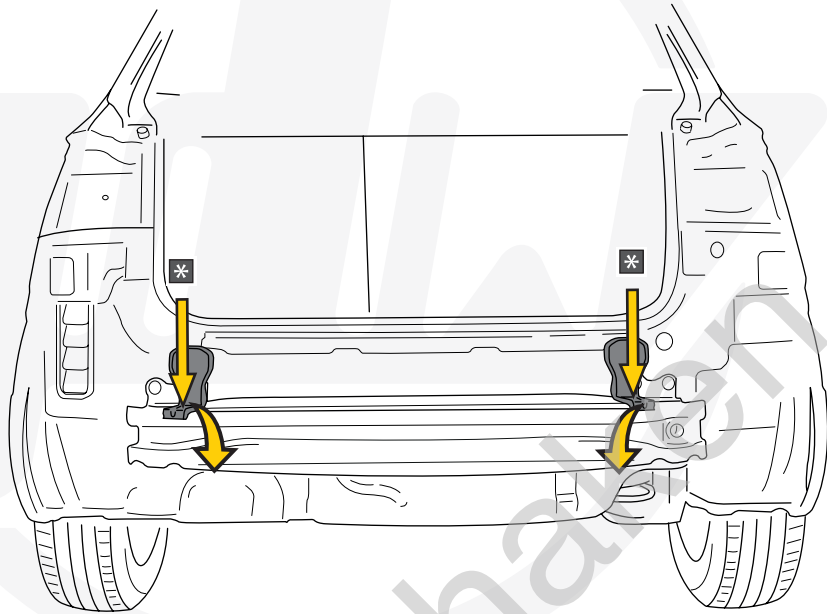
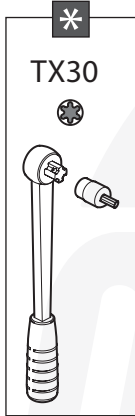


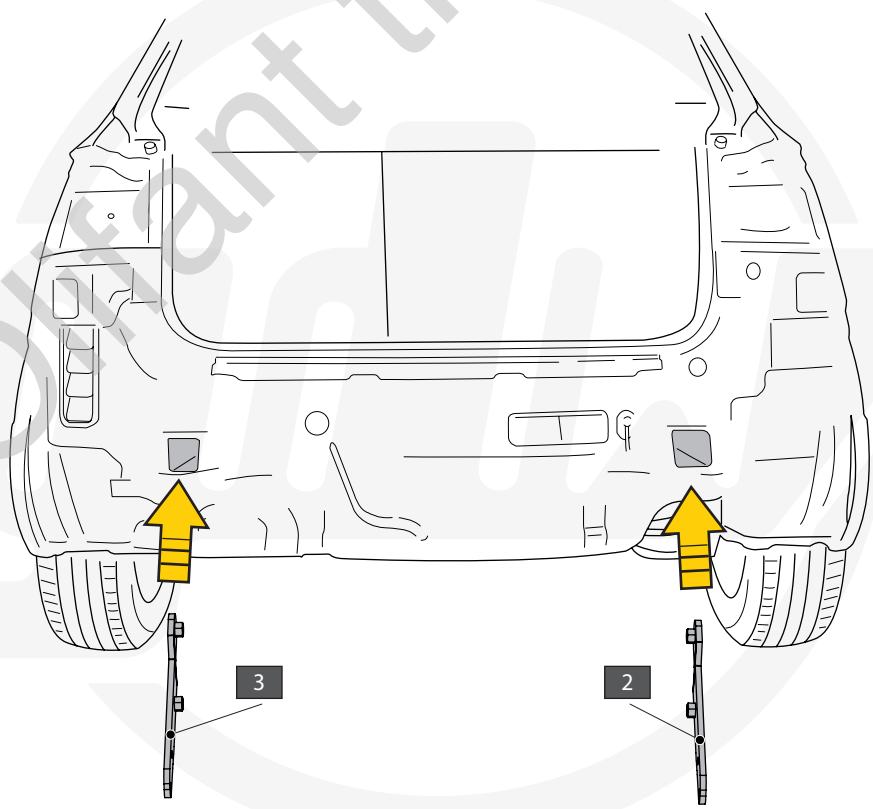
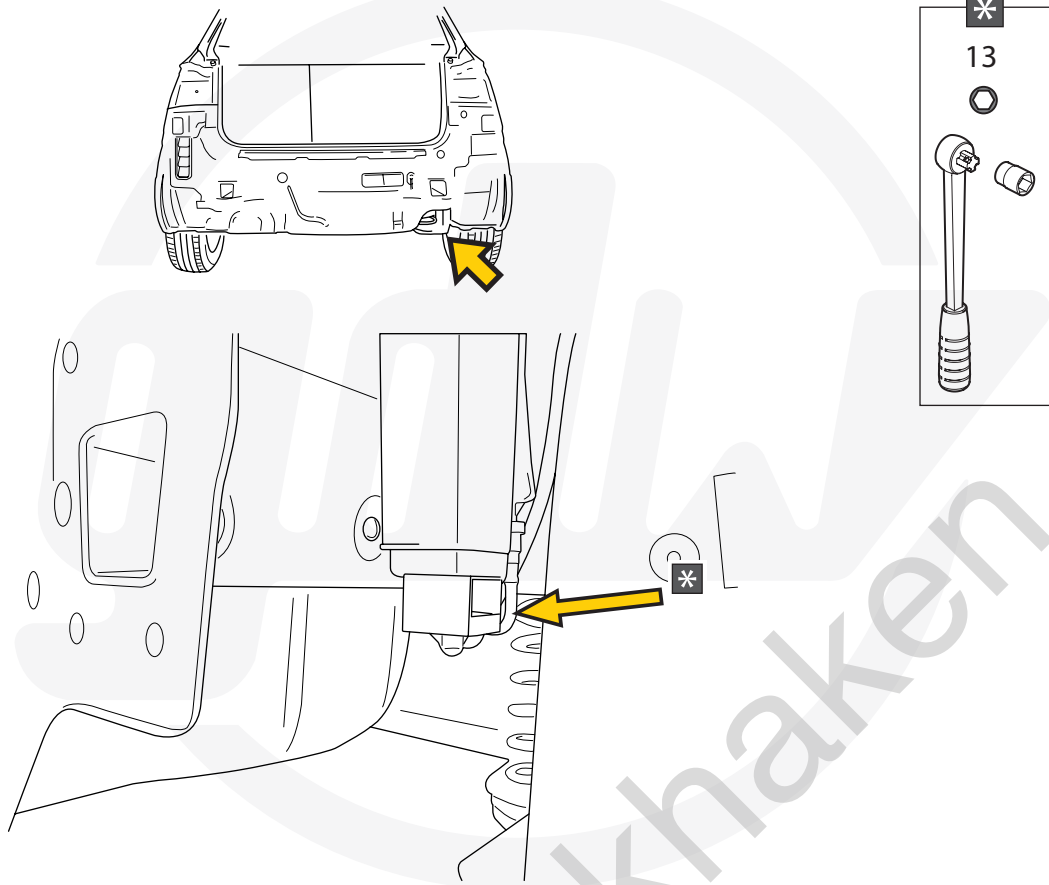
5



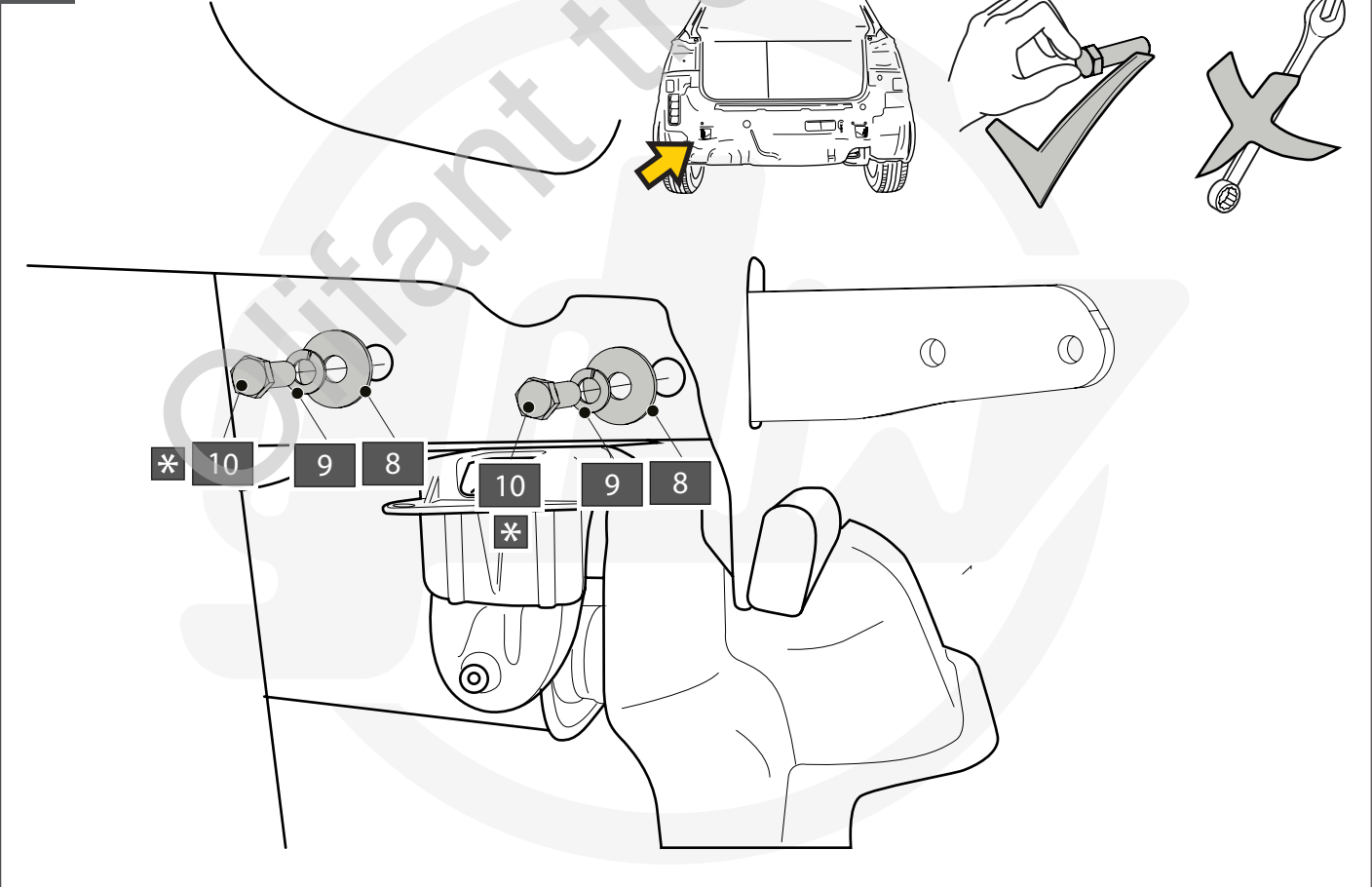
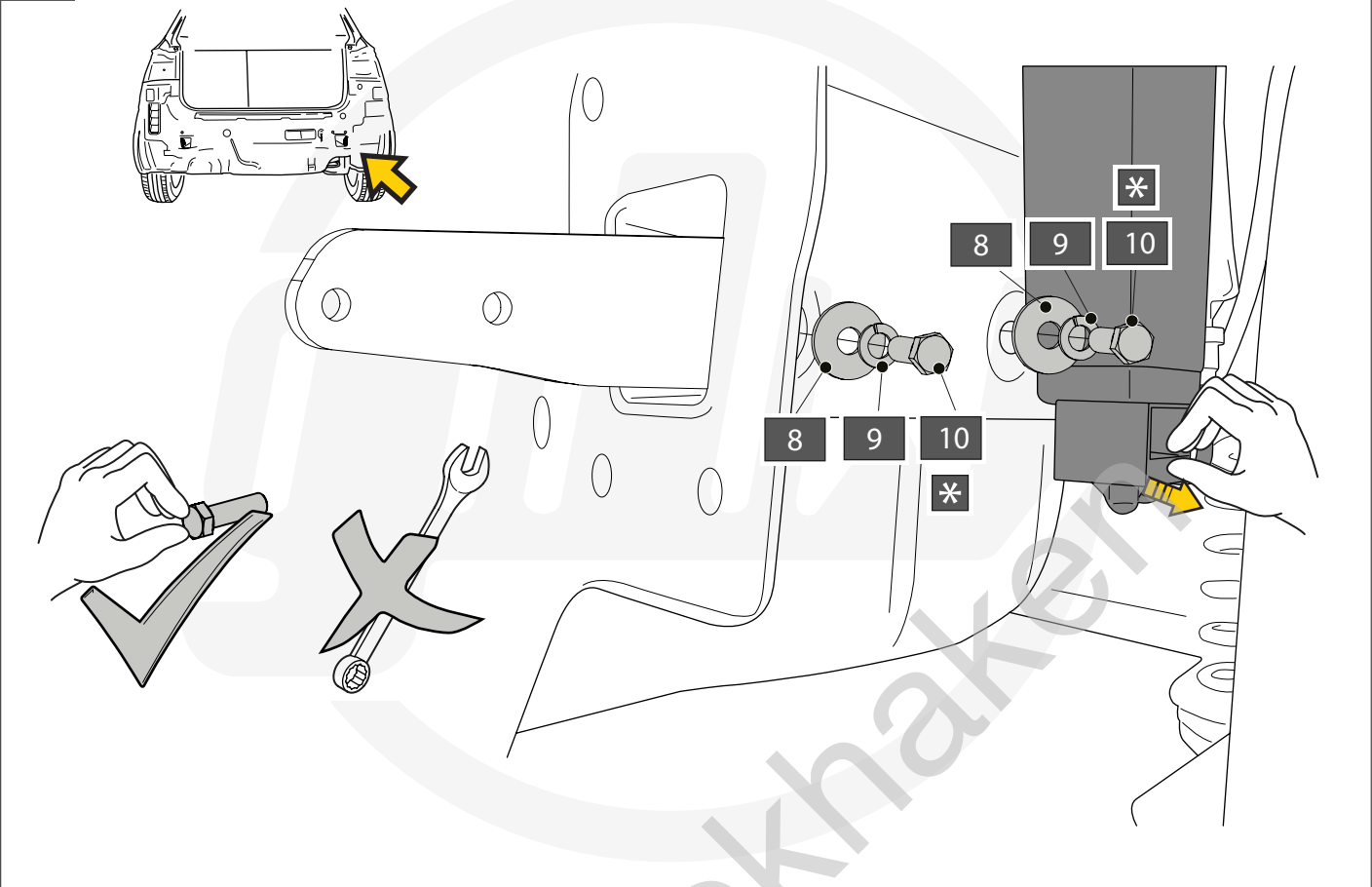
6

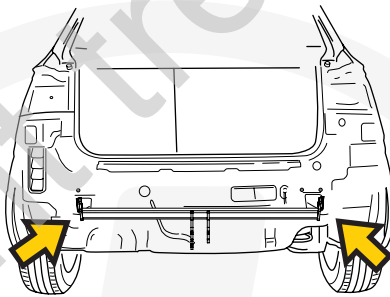
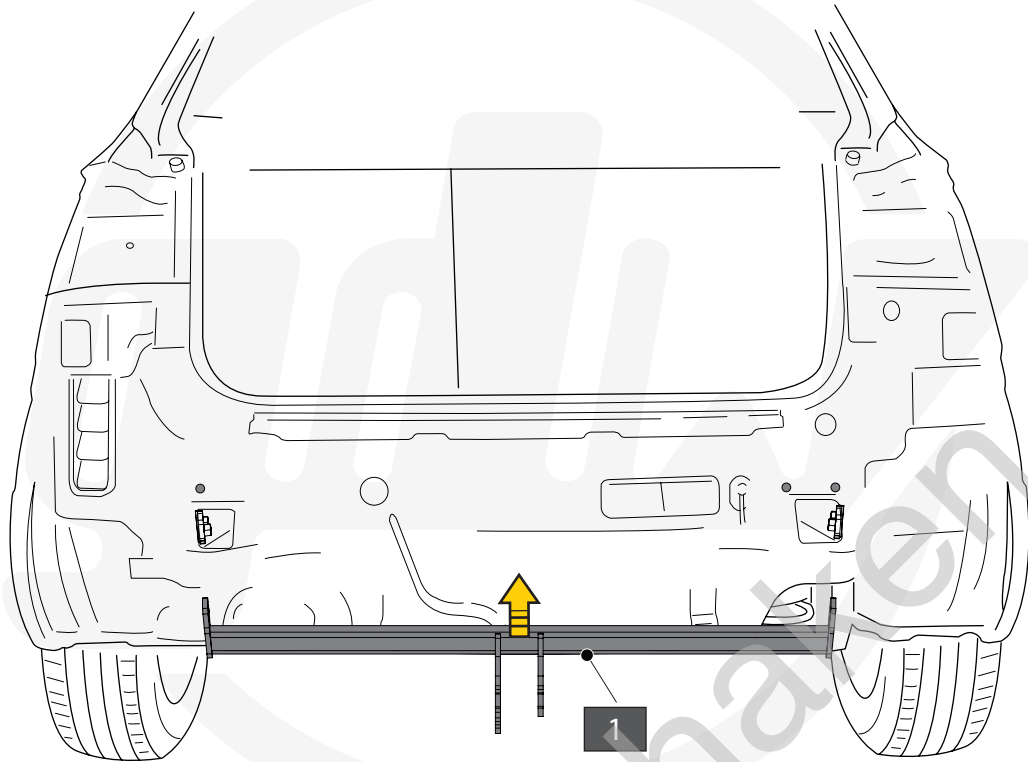








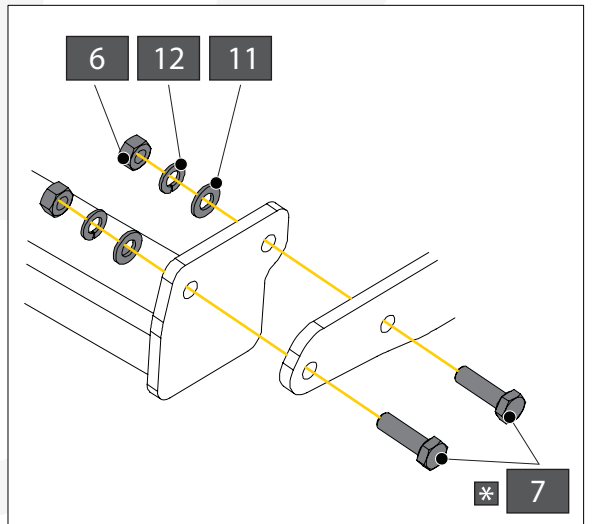
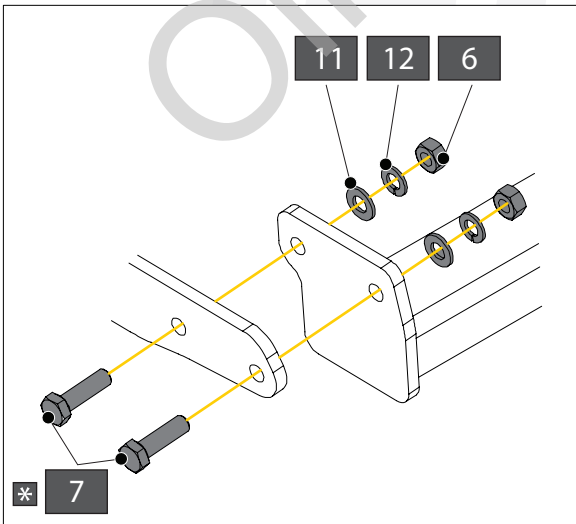
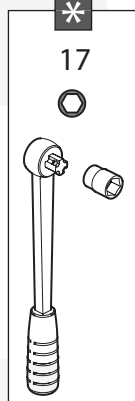




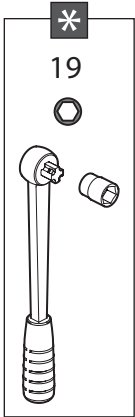
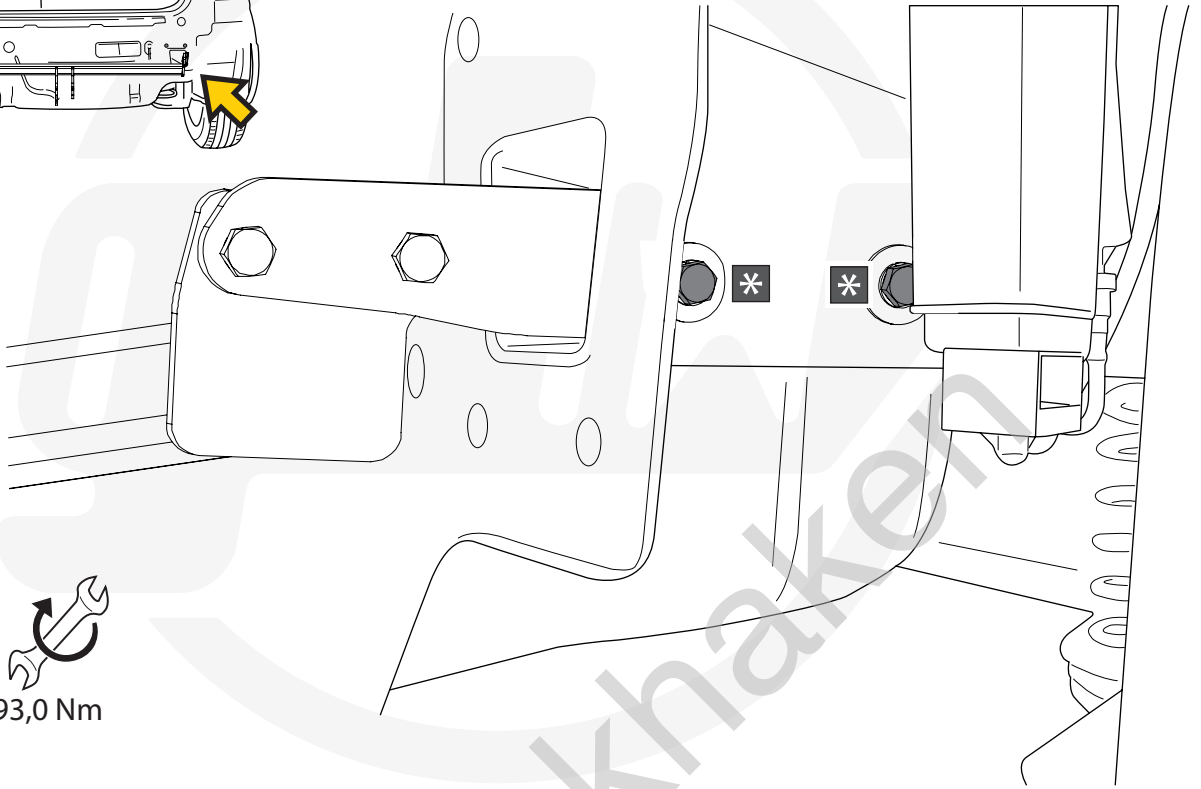
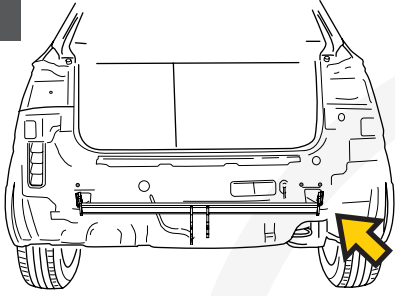
54,0 Nm



17

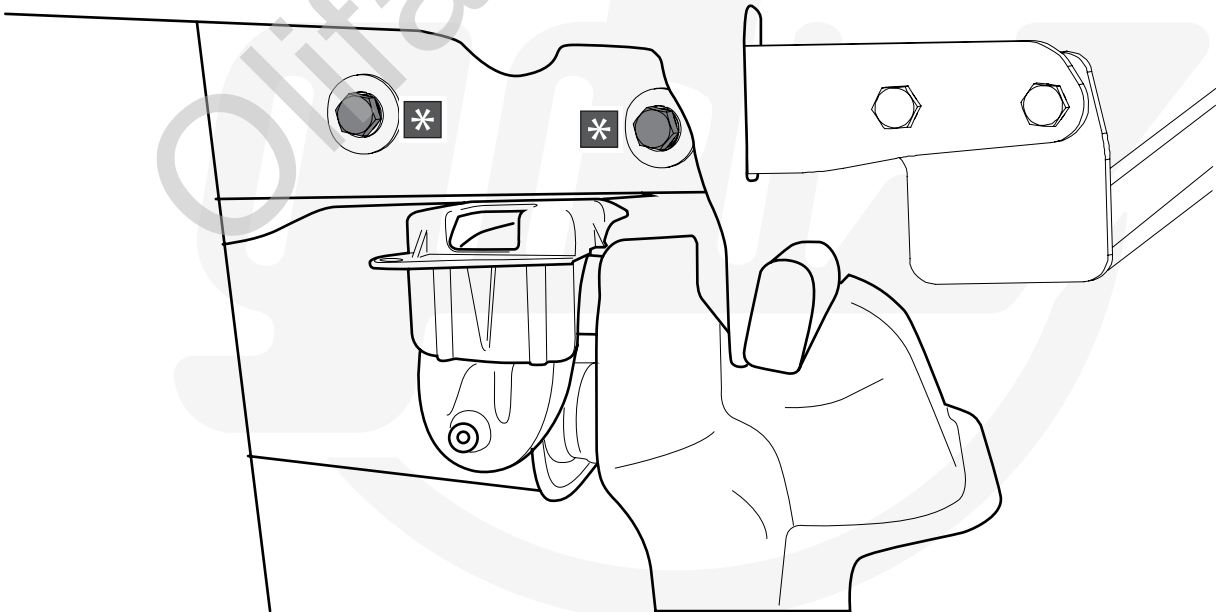
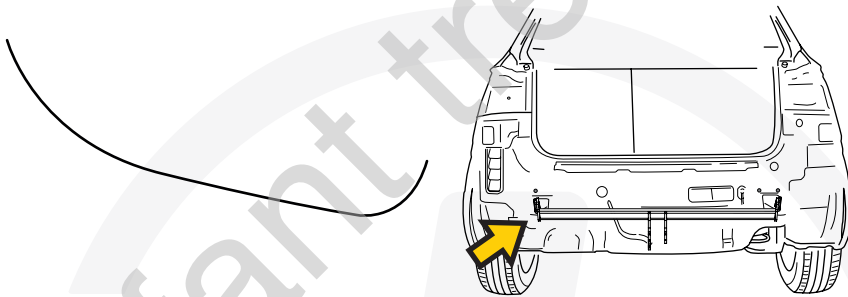


15

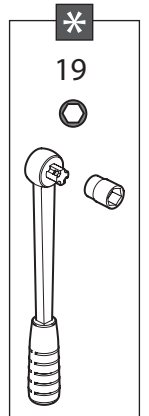


  
93,0 Nm

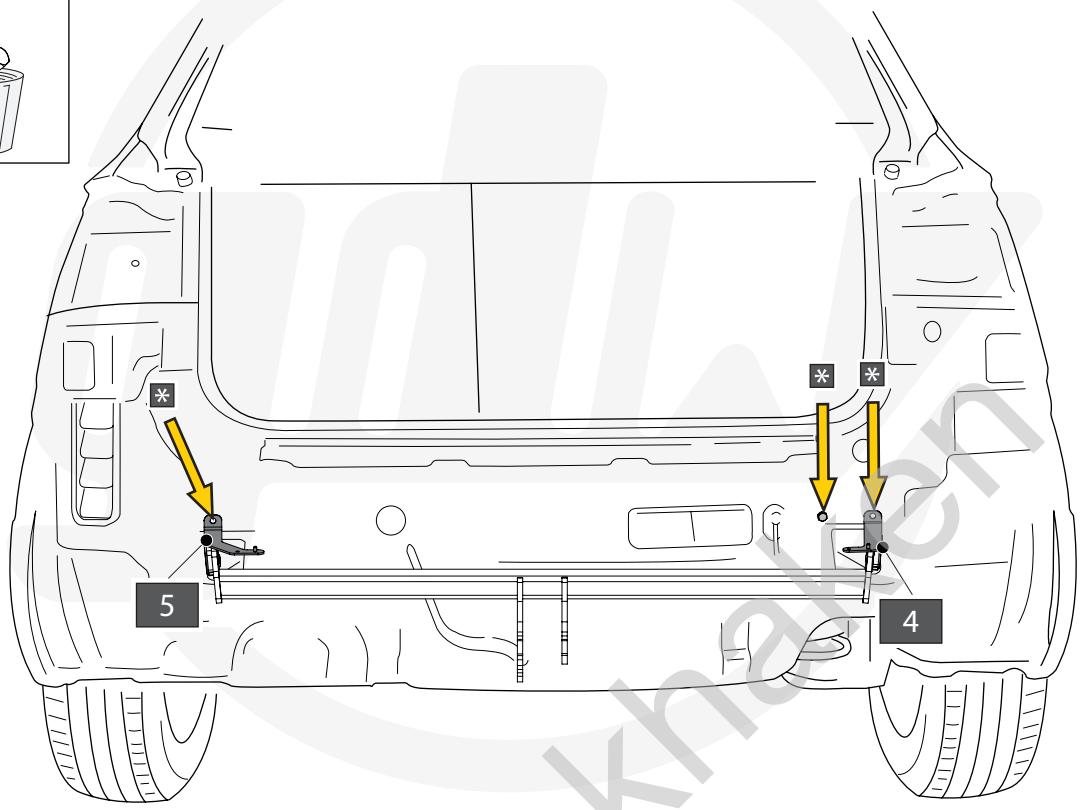
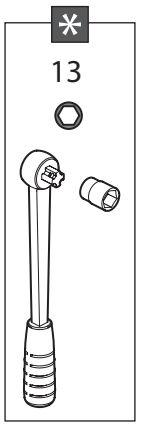
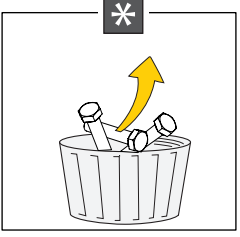
16



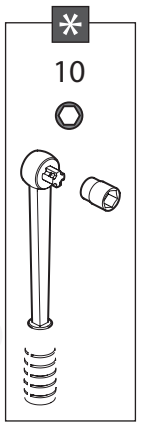
  
93,0 Nm



17



18

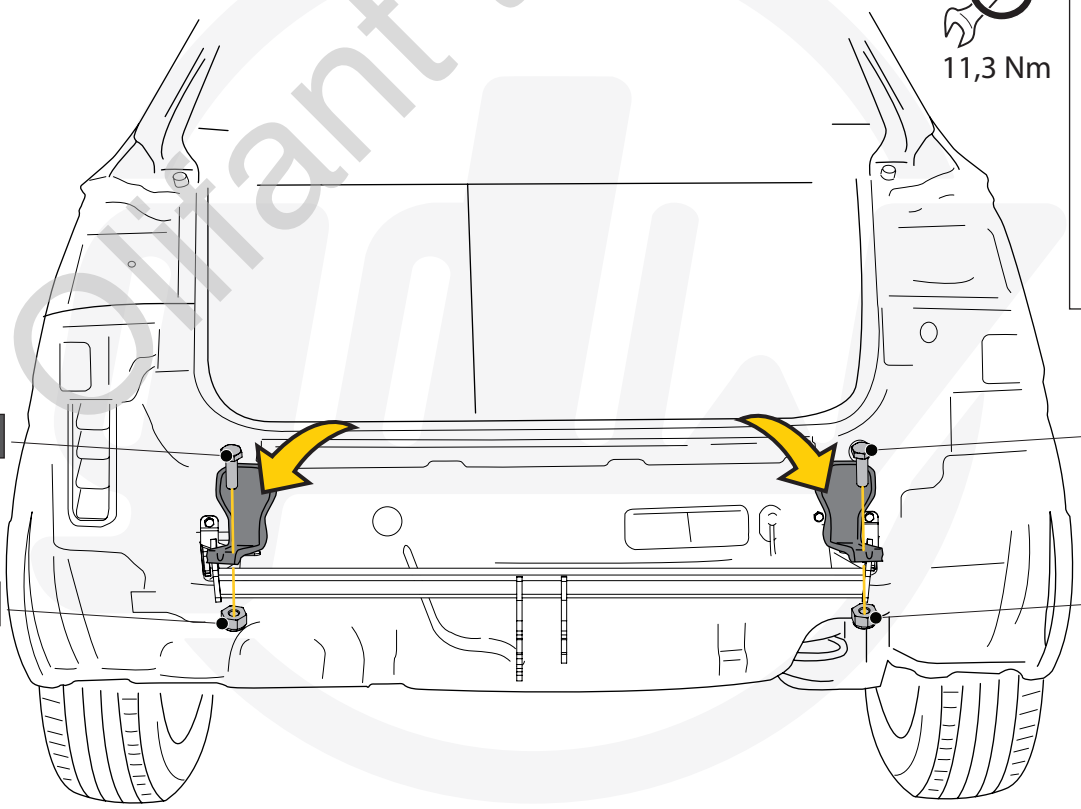


\* 14

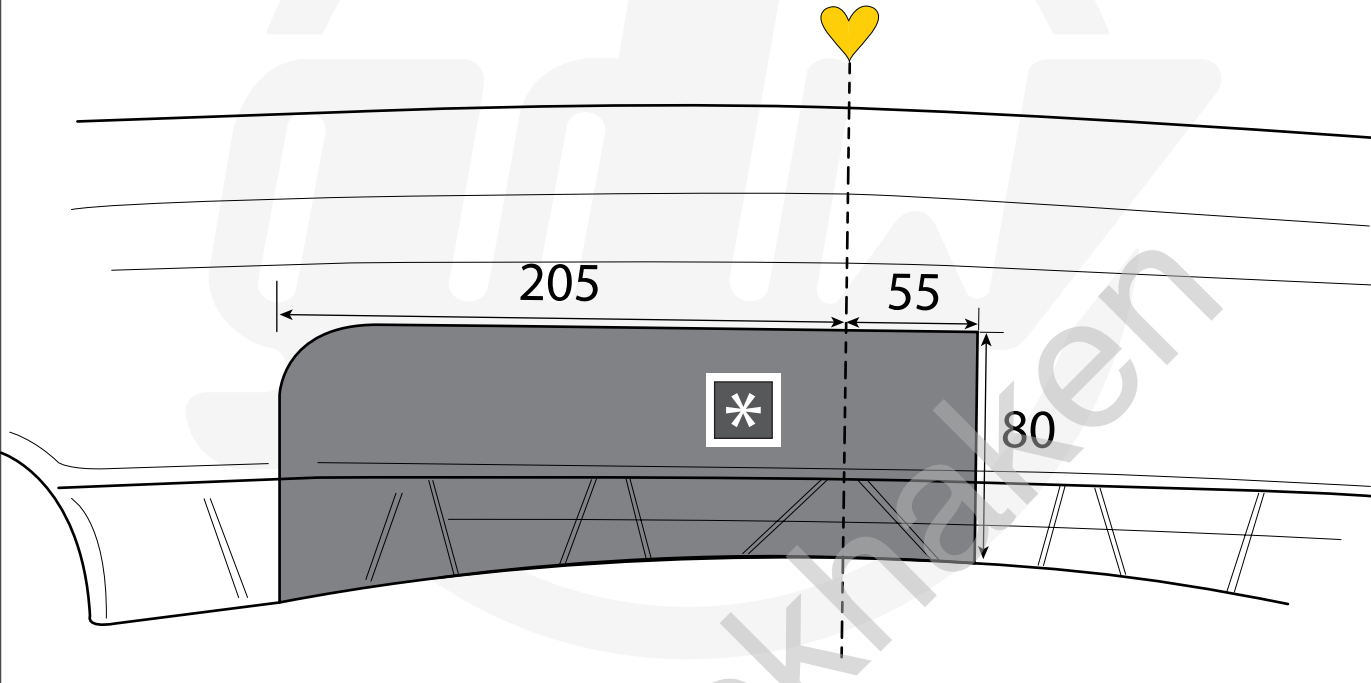
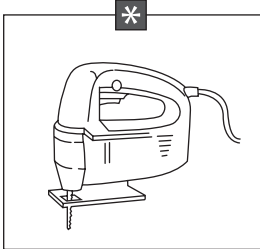
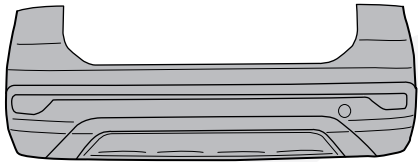
14 \*

13

13

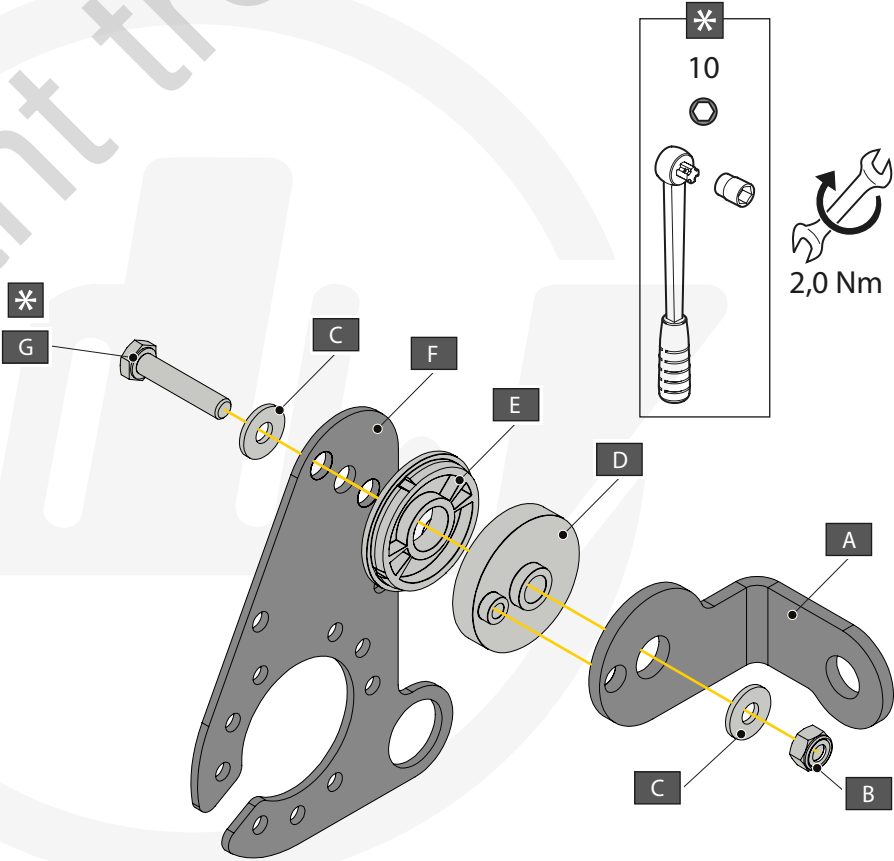


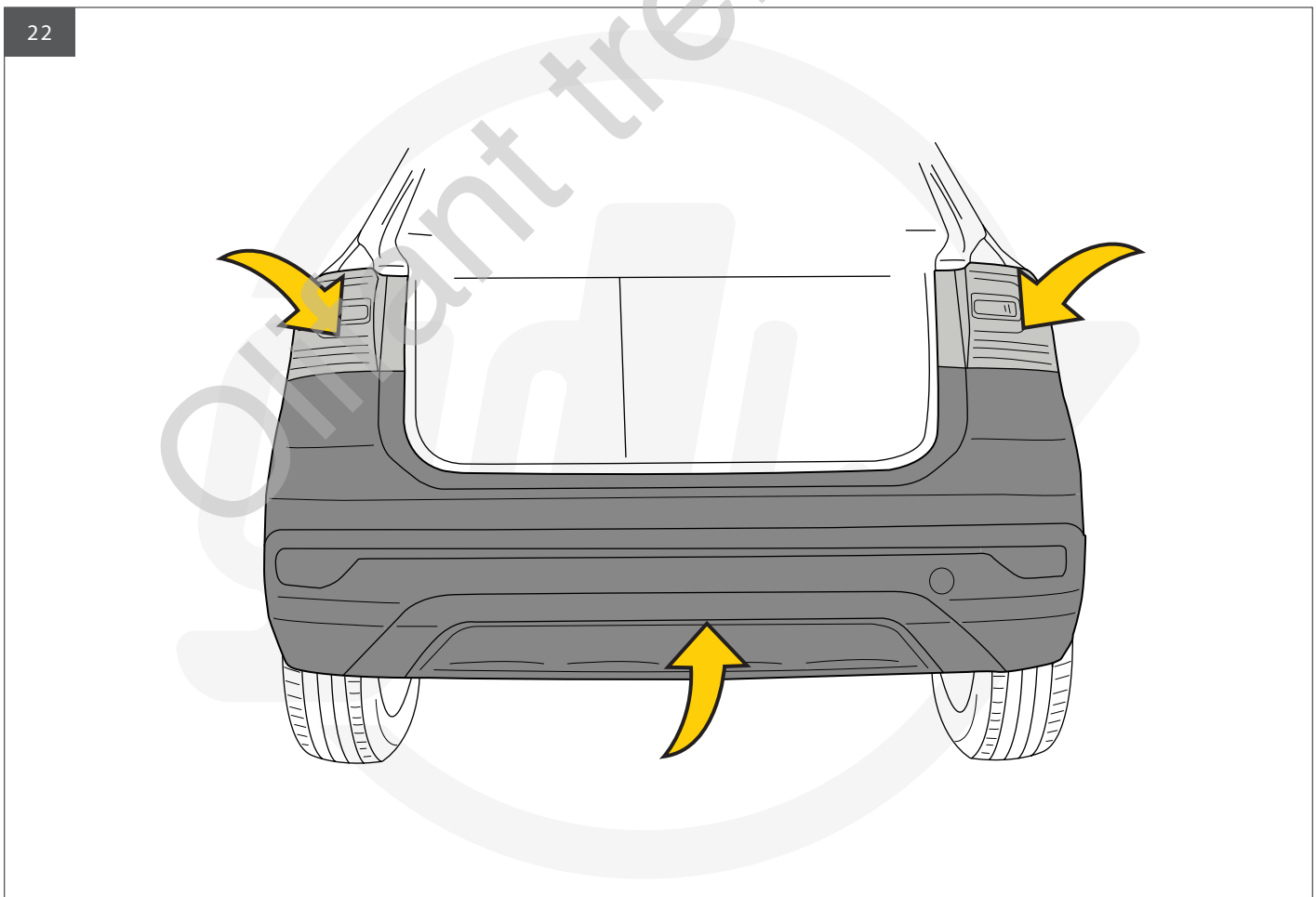
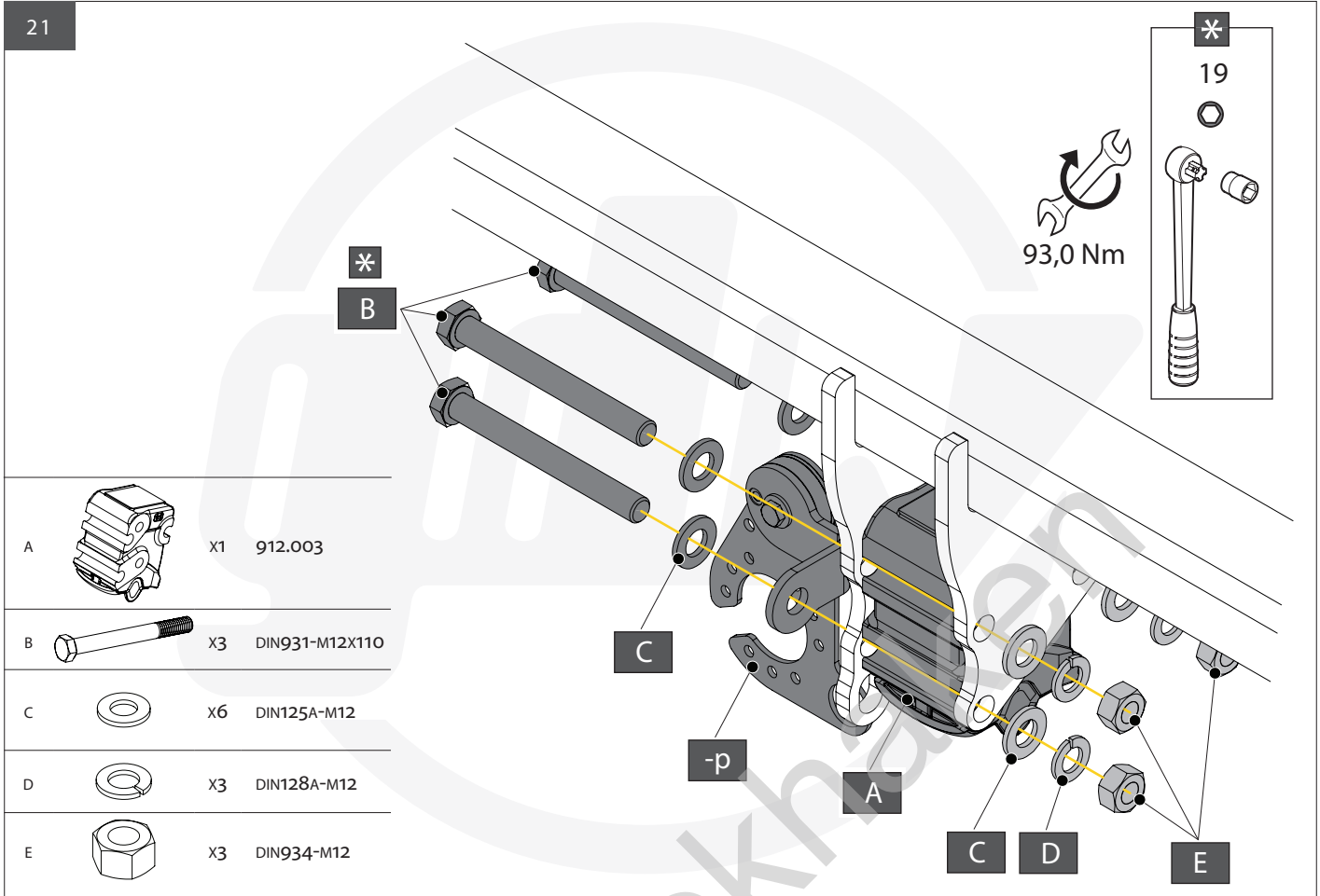
19

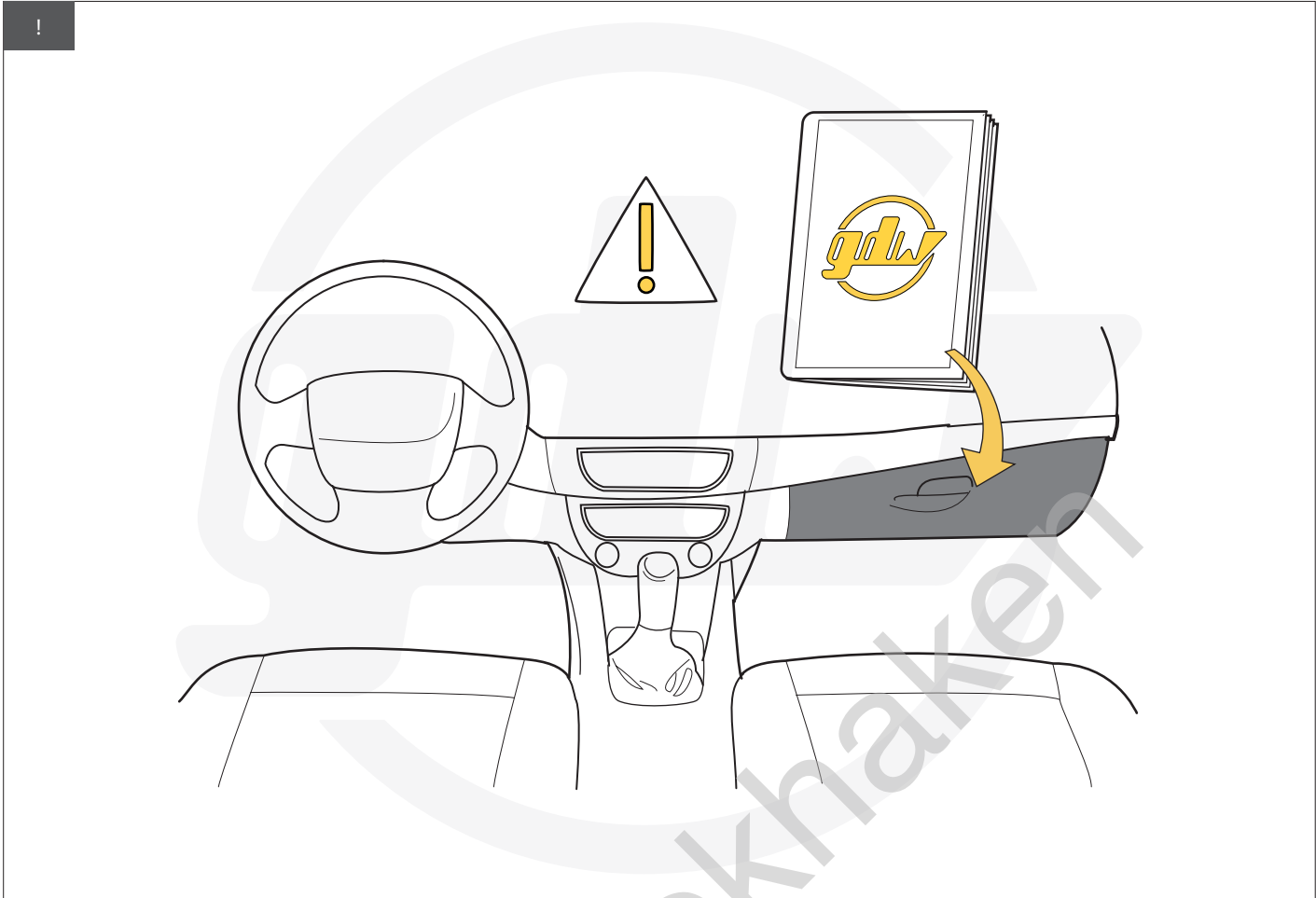


20

A		X1	GDW REF. 908.095
B		X1	DIN985-M6
C		X2	6,2 X 15,4 X 1,6 (NYLON)
D		X1	GDW REF. 718.16.002
E		X1	GDW REF. 718.16.003
F		X1	GDW REF. 908.094
G		X1	DIN933-M6 X 30







**helpdesk@gdwtowbars.com**  
**+32 56 62 77 79**

Monday	08:00 - 12:00	12:30 - 16:30
Tuesday	08:00 - 12:00	12:30 - 16:30
Wednesday	08:00 - 12:00	12:30 - 16:30
Thursday	08:00 - 12:00	12:30 - 16:30
Friday	08:00 - 12:00	12:30 - 15:30

A line drawing of a call center agent wearing a headset and sitting at a desk with a computer monitor and keyboard. A yellow speech bubble contains contact information and a table of support hours. A large, faint watermark 'olifant trekhaker' is visible across the image.