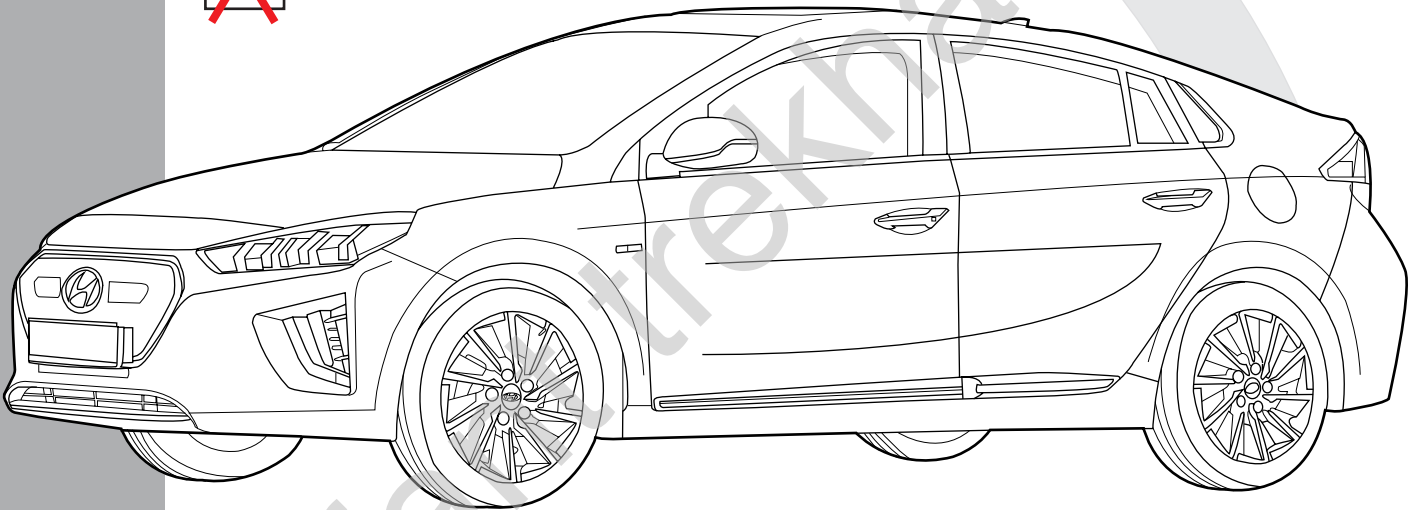


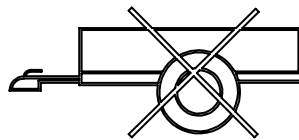


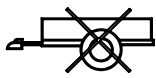
Hyundai Ioniq EV (type AE) 03/'16-


- STANDARD
- HYBRID
- PLUG IN HYBRID



NO TOWING



MADE BY **NO TOWING**  E6

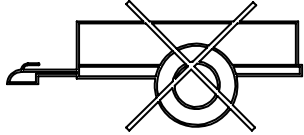
 EC APPROVAL N°
BELGIUM **26R-03 0314**

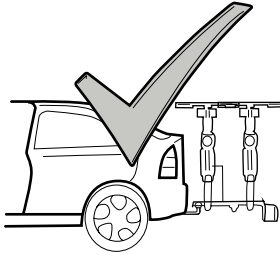
REF N° SERIAL N° D 0,00

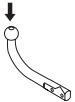
2375T60 xxx S 75

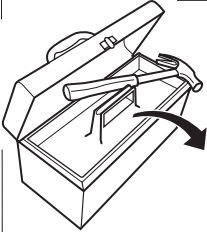
DISCRPTION

Hyundai Ioniq 03/'16-

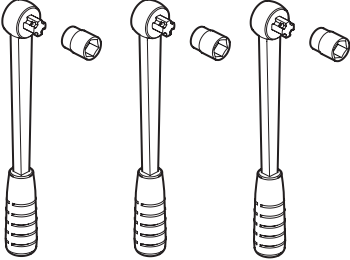
NO TOWING 

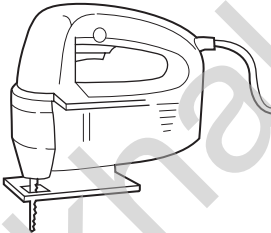


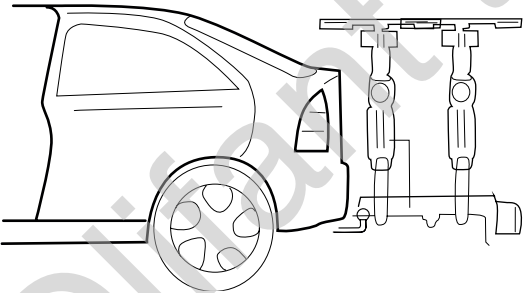
S =  = 75 kg

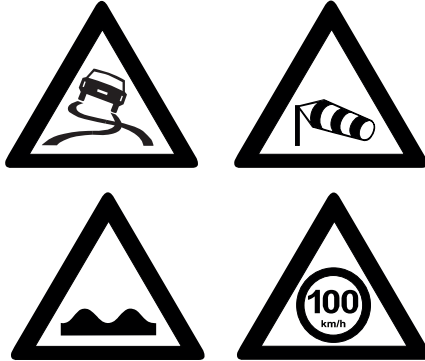


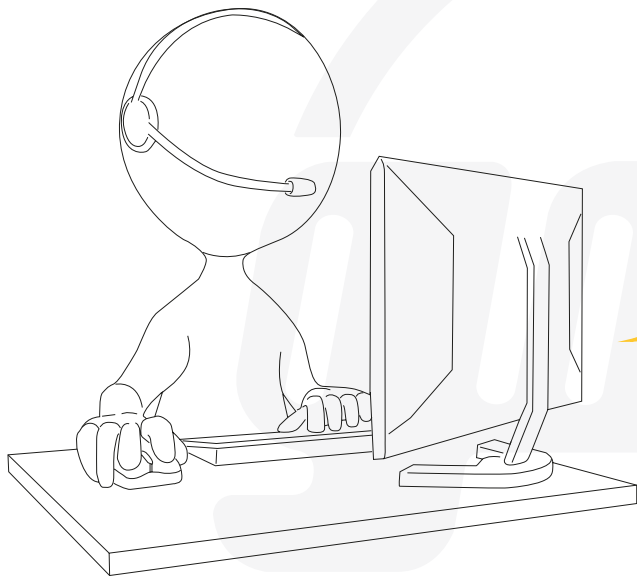
10 17 19







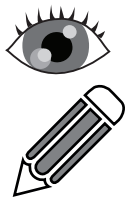




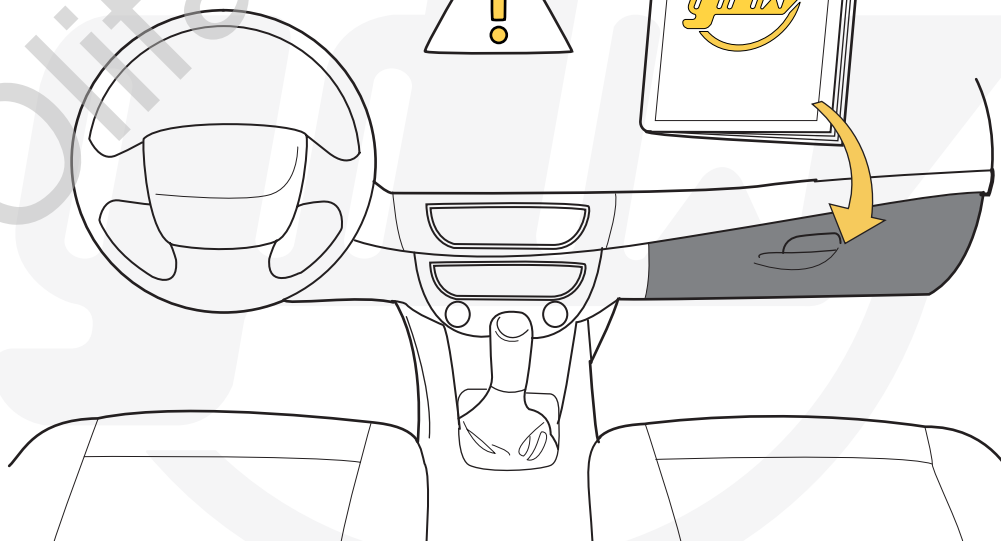
helpdesk@gdwtowbars.com

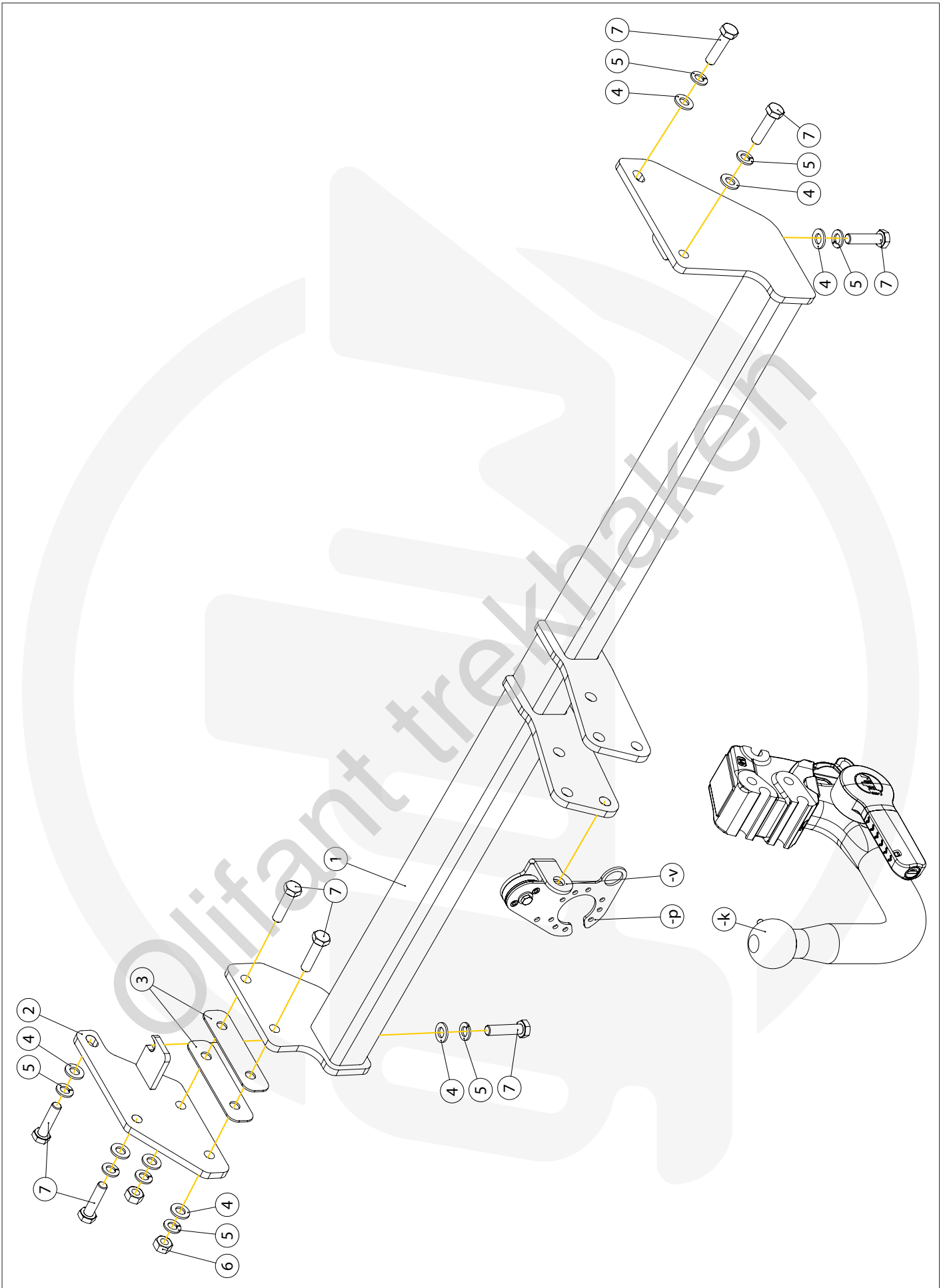
+32 56 62 77 79

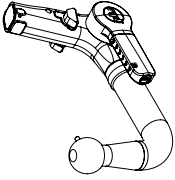

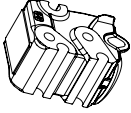


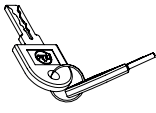

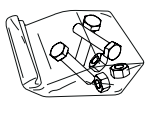




Monday	08:00 - 12:00	12:30 - 16:30
Tuesday	08:00 - 12:00	12:30 - 16:30
Wednesday	08:00 - 12:00	12:30 - 16:30
Thursday	08:00 - 12:00	12:30 - 16:30
Friday	08:00 - 12:00	12:30 - 15:30

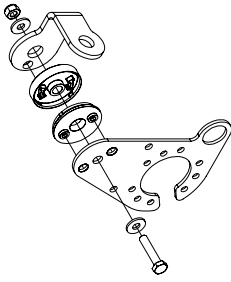









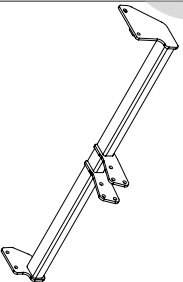
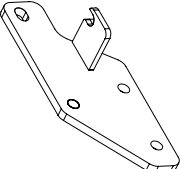
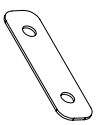





KEY NUMBER



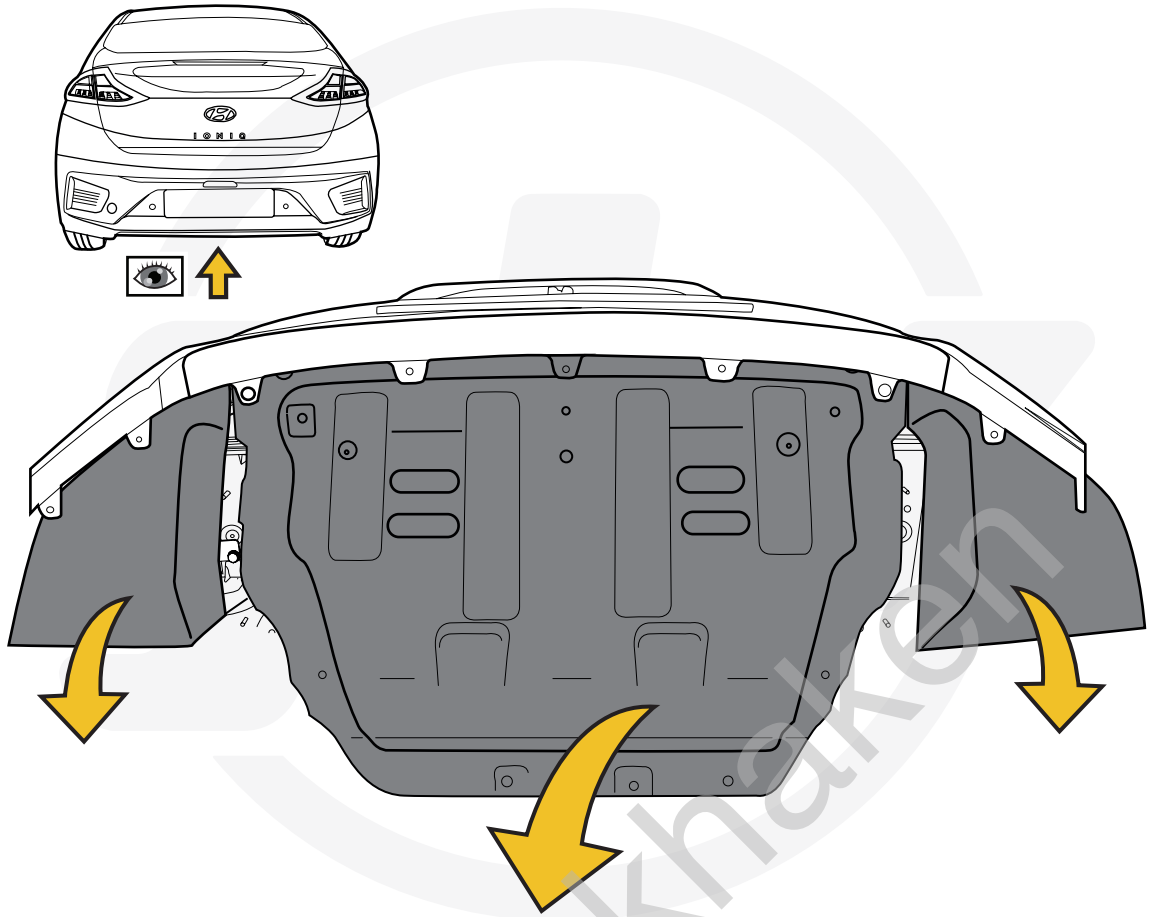


<p>Geleverd met - Livré avec - Delivered with Geliiefert mit - Elementos adjuntos - Leverages med</p>		X1	GDW REF. 960.V0610S
		X1	GDW REF. 740.200
		X1	GDW REF. 912.003
		X1	GDW REF. 740.112
		X1	GDW REF. 740.111
		X1	GDW REF. 740.114
		X1	GDW REF. 718.15.001
		X1	GDW REF. SYST60-10
		X3	DIN931-M12X110-8.8
		X3	DIN128A-M12
		X6	DIN125A-M12
		X3	DIN934-M12

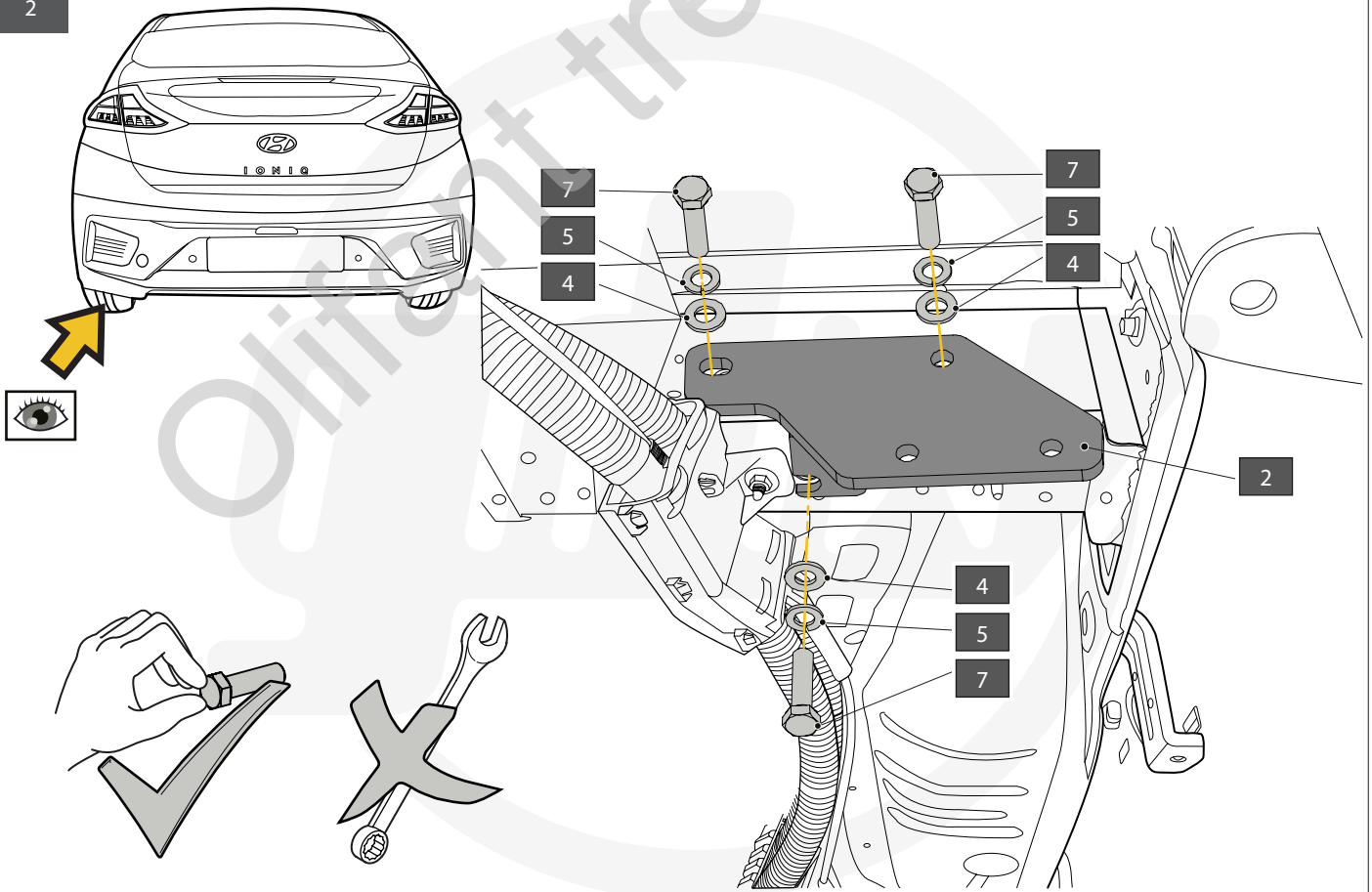
<p>-P</p>		X1	GDW REF. P39
		X1	DIN985-M6
		X2	6,2 X 15,4 X 1,6 (NYLON)
		X1	GDW REF. 718.16.002
		X1	GDW REF. 718.16.003
		X1	GDW REF. 908.094
		X1	DIN933-M6 X 30
		X1	GDW REF. 908.095

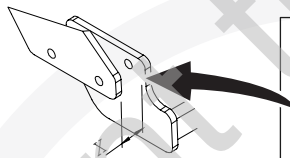
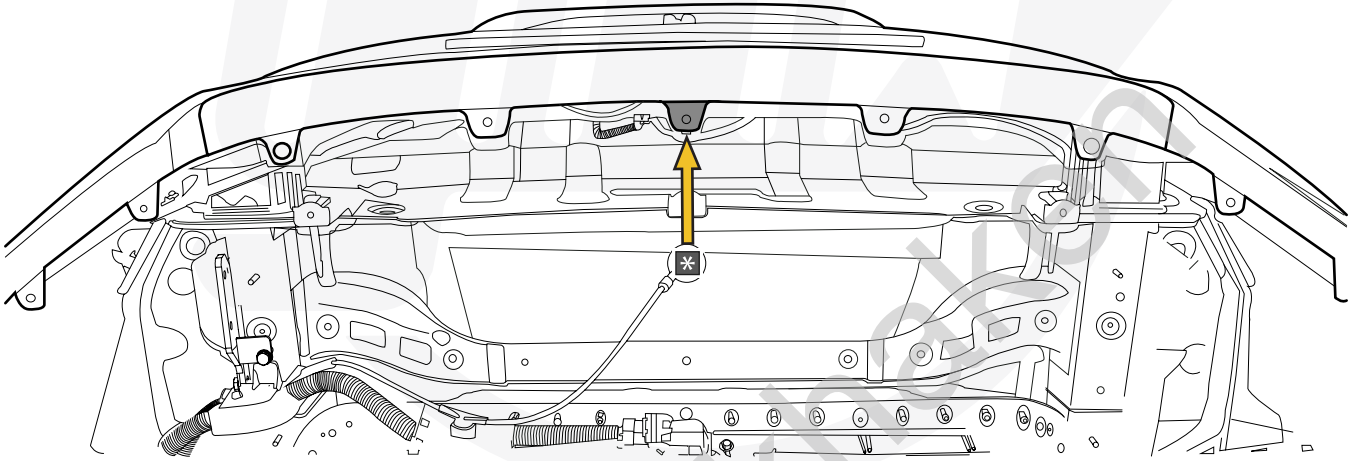
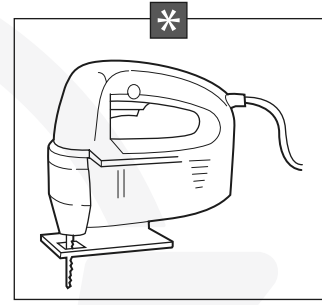
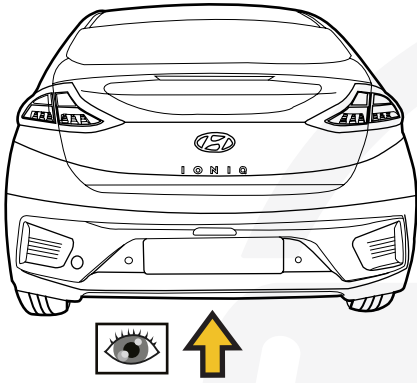
1		X1	GDW REF. 2375160
2		X2	GDW REF. 2
3		X2	GDW REF. 3
4		X8	DIN125-A10-140HV-ELVZ
5		X8	DIN128A-M10
6		X2	DIN934-M10 - 1.25
7		X8	DIN961-M10 X 40 - 1.25
-V		X1	GDW REF. 908.095

1

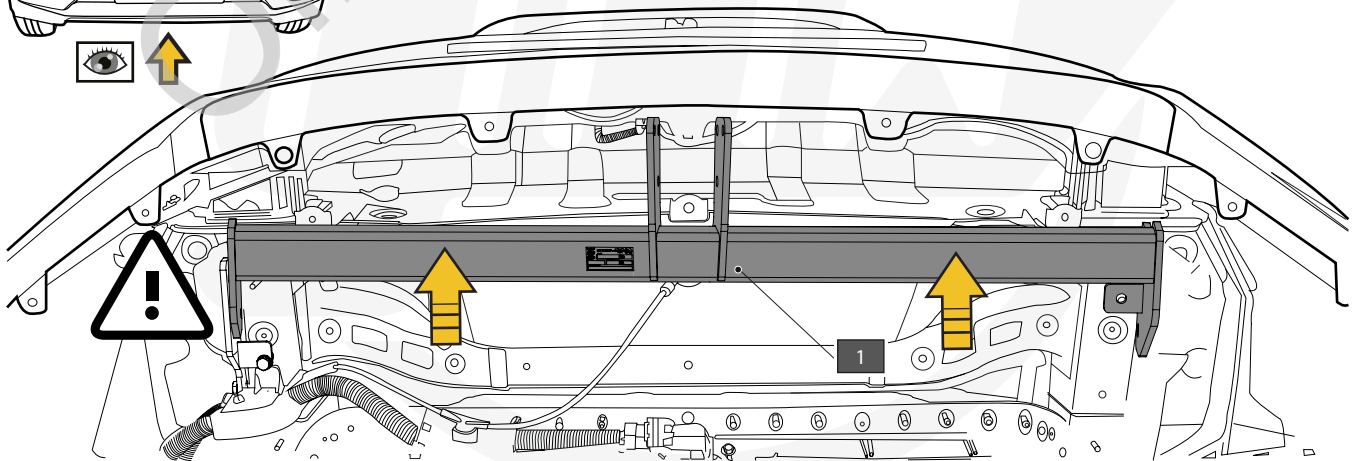
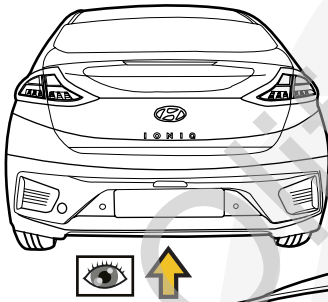


2

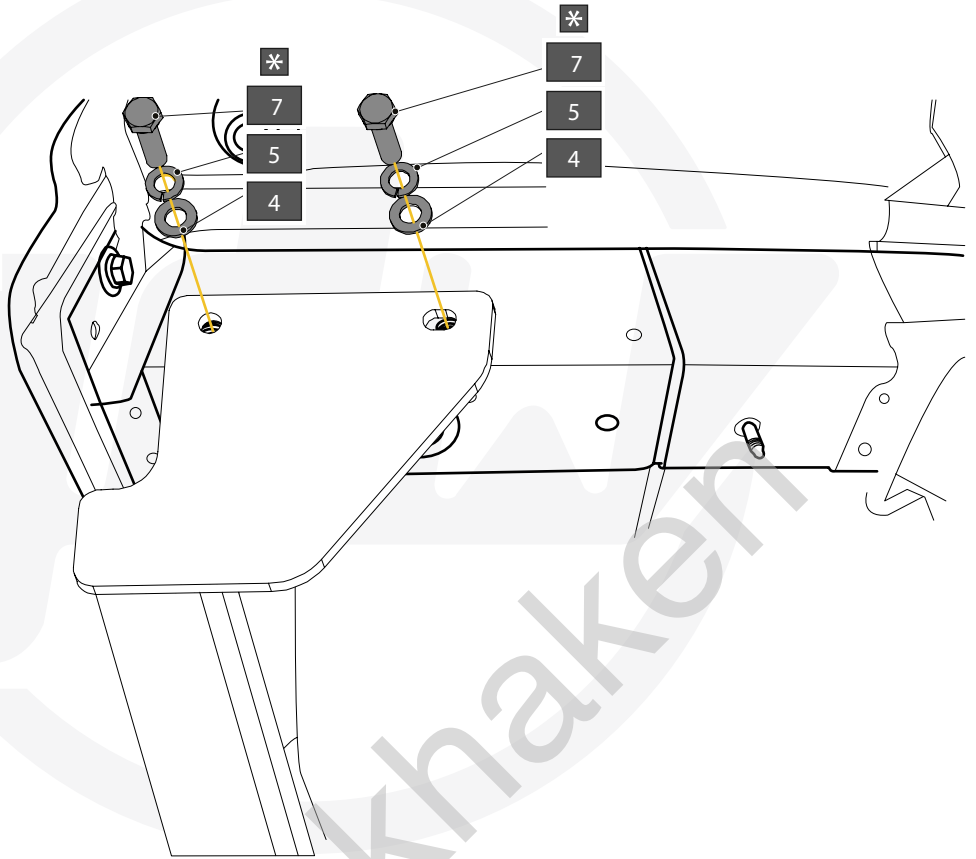
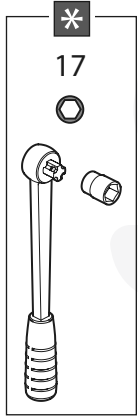
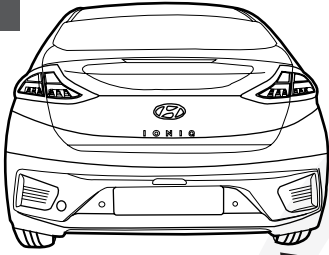




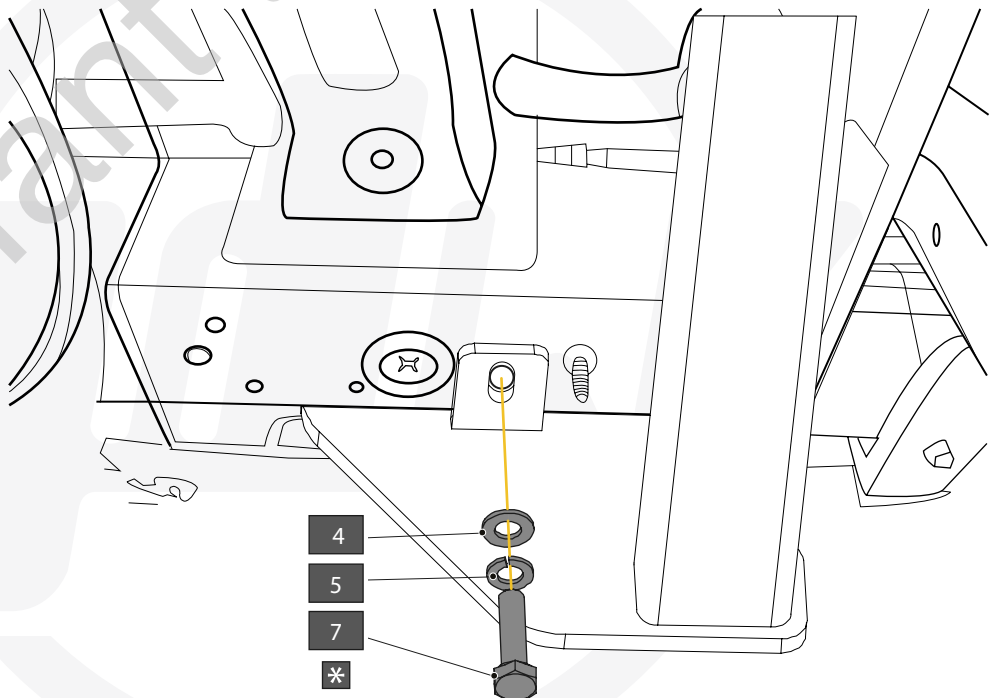
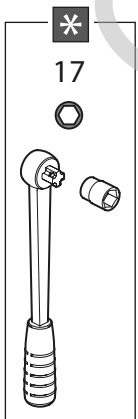
$X < 2 \text{ mm}$	2 $X < 4 \text{ mm}$	4 $X < 6 \text{ mm}$



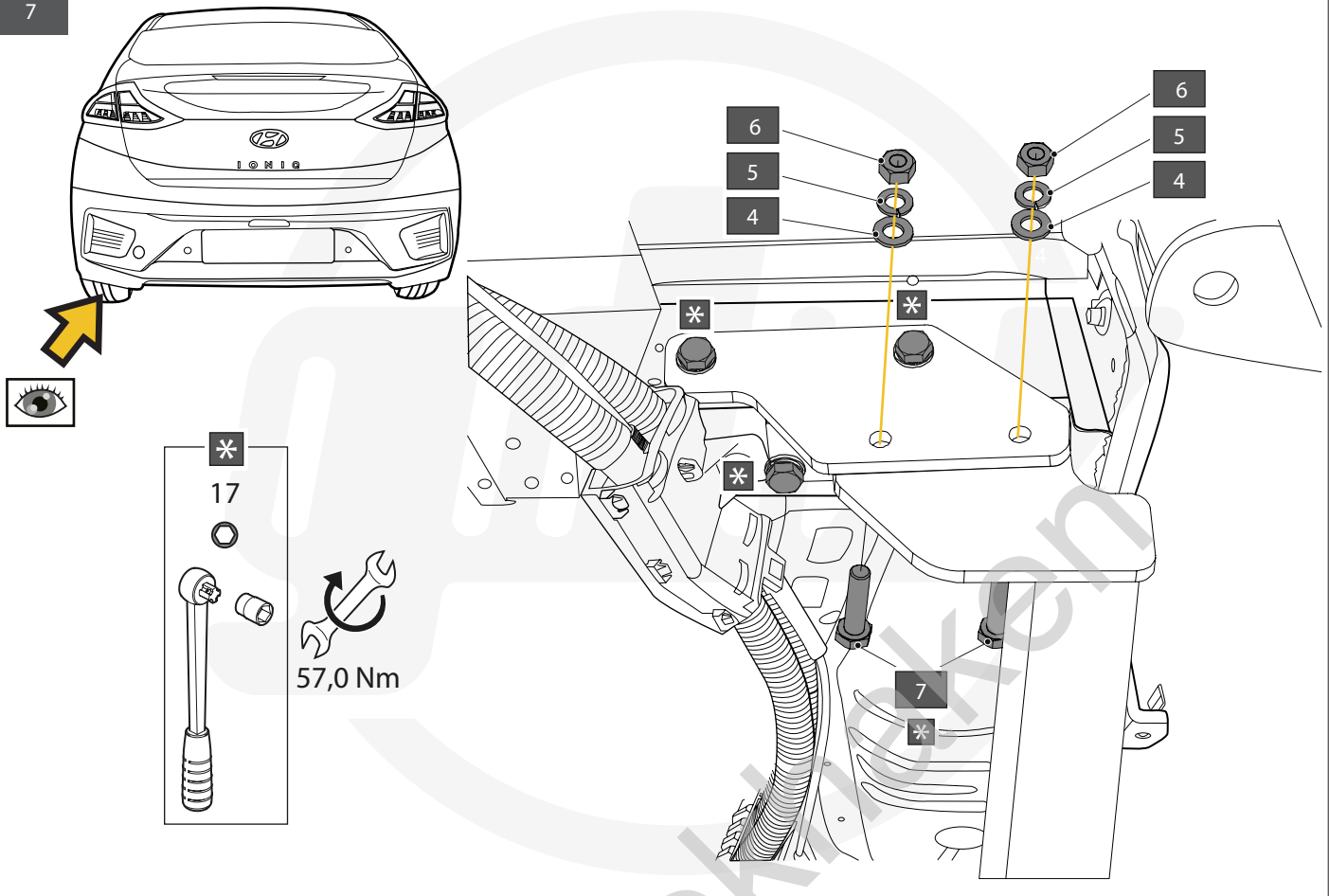
5



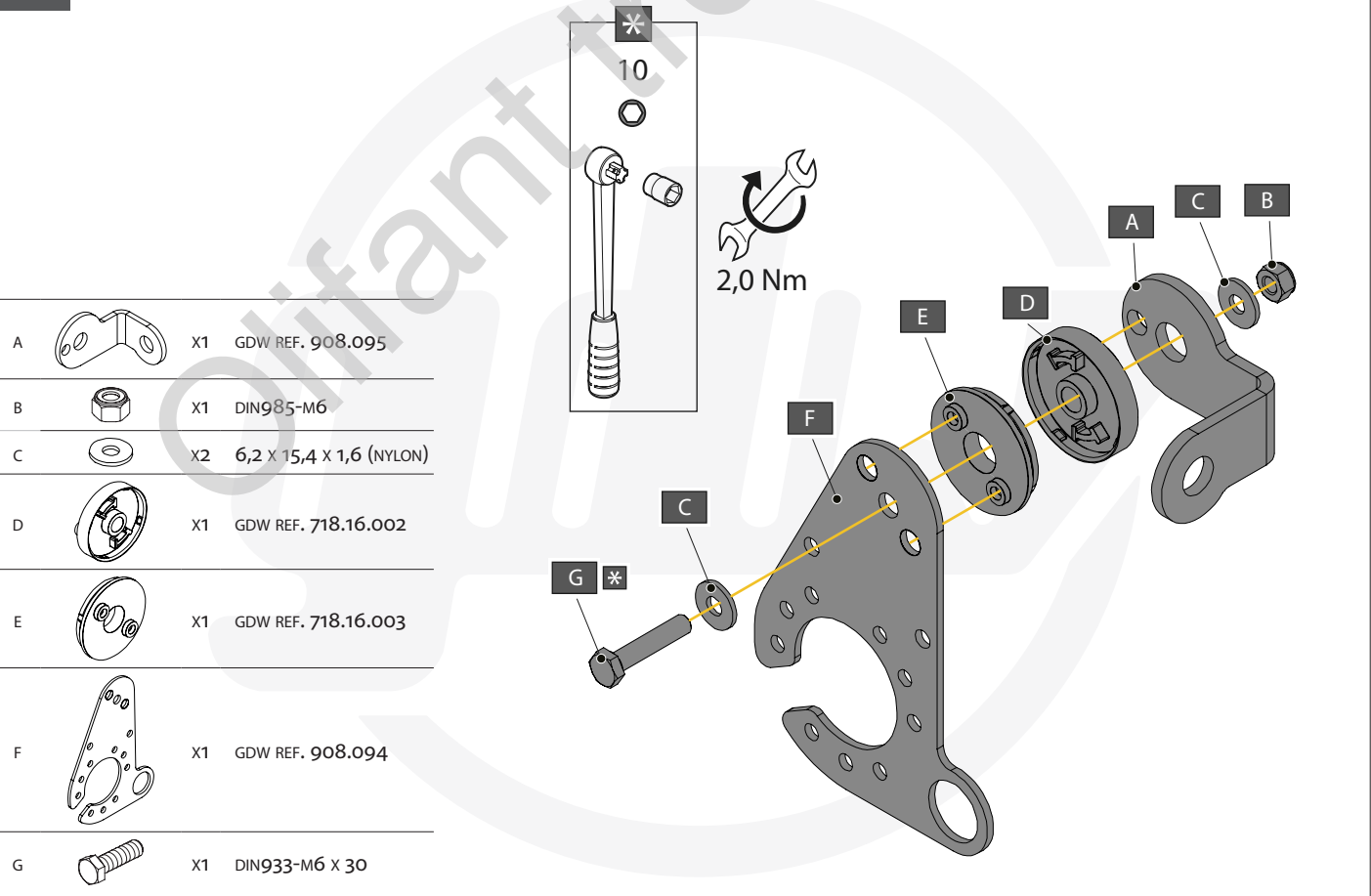
6



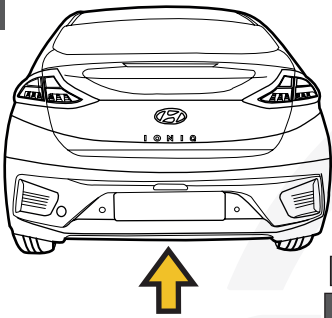
7



8

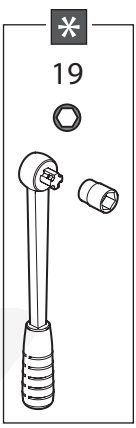


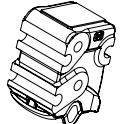




9

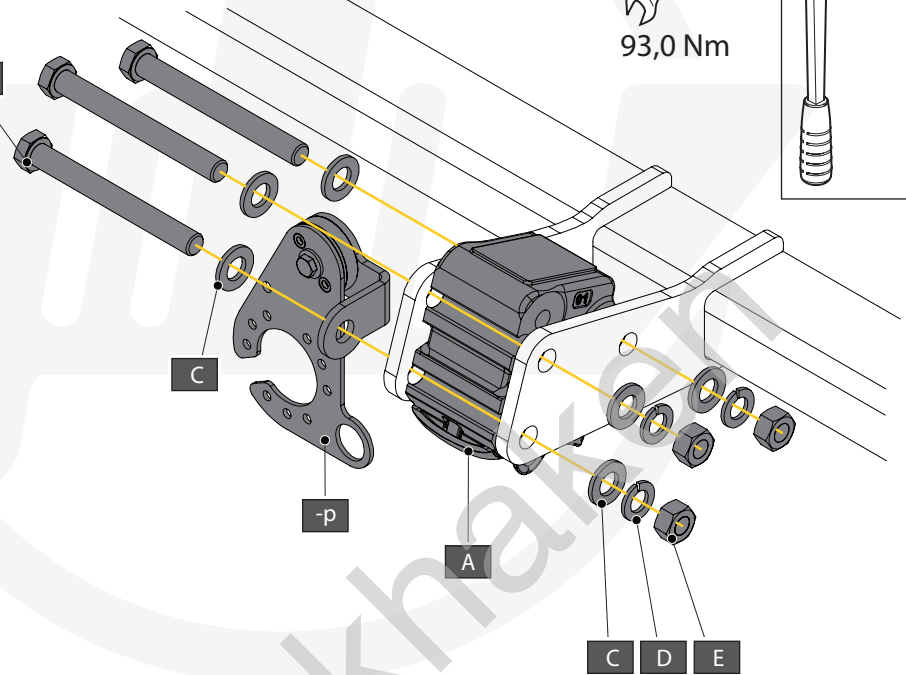


*
B

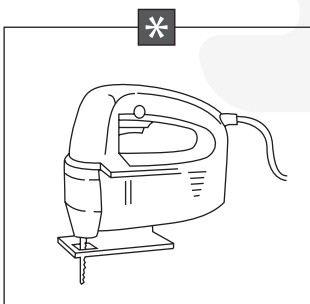
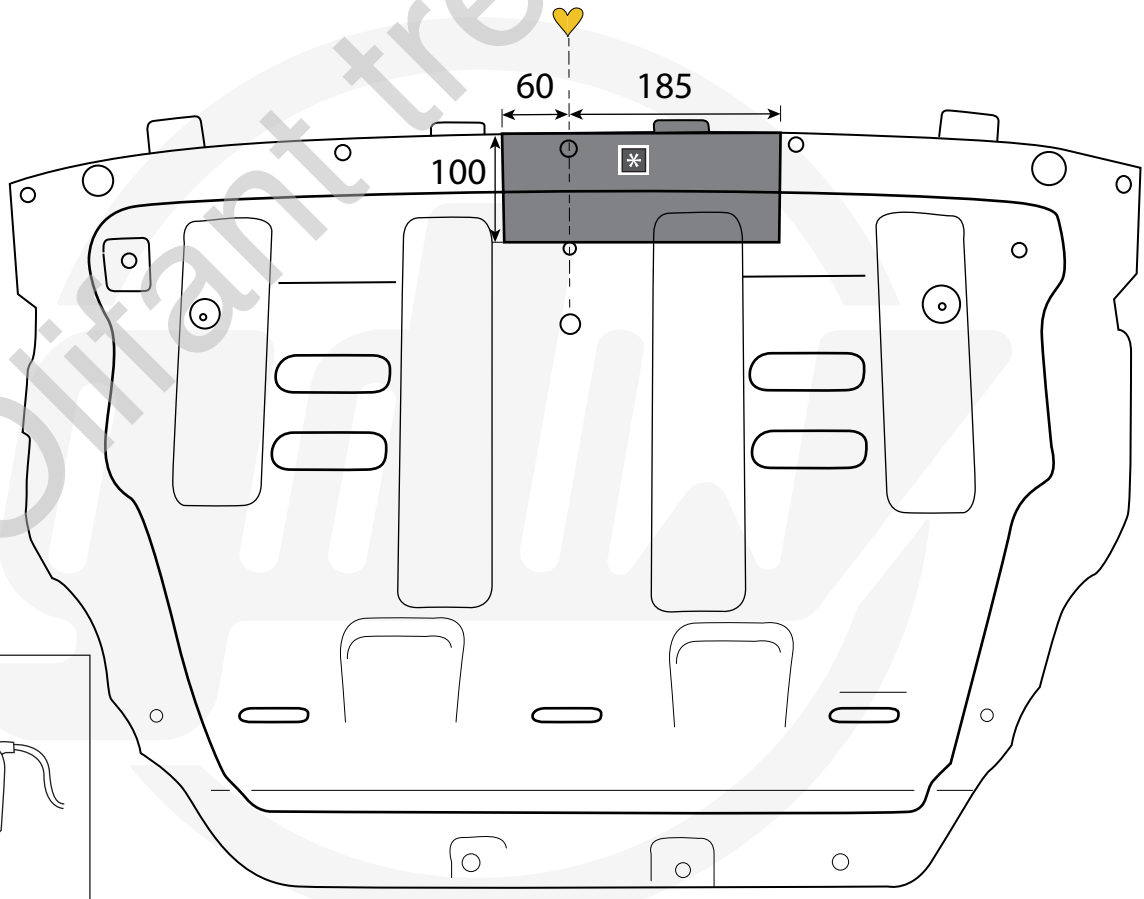
93,0 Nm



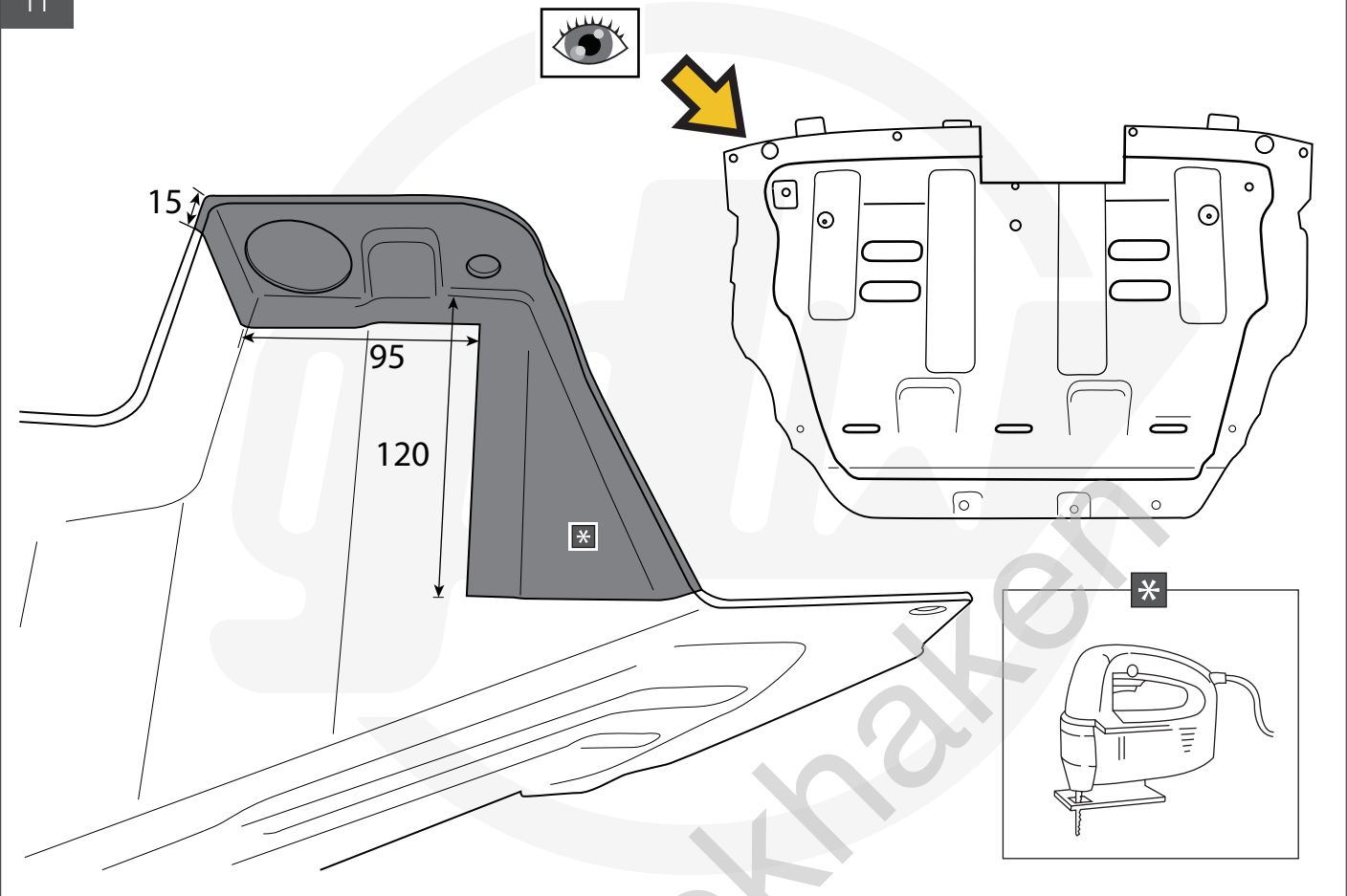
- A  X1 T60
- B  X3 DIN931-M12X110
- C  X6 DIN125A-M12
- D  X3 DIN128A-M12
- E  X3 DIN934-M12



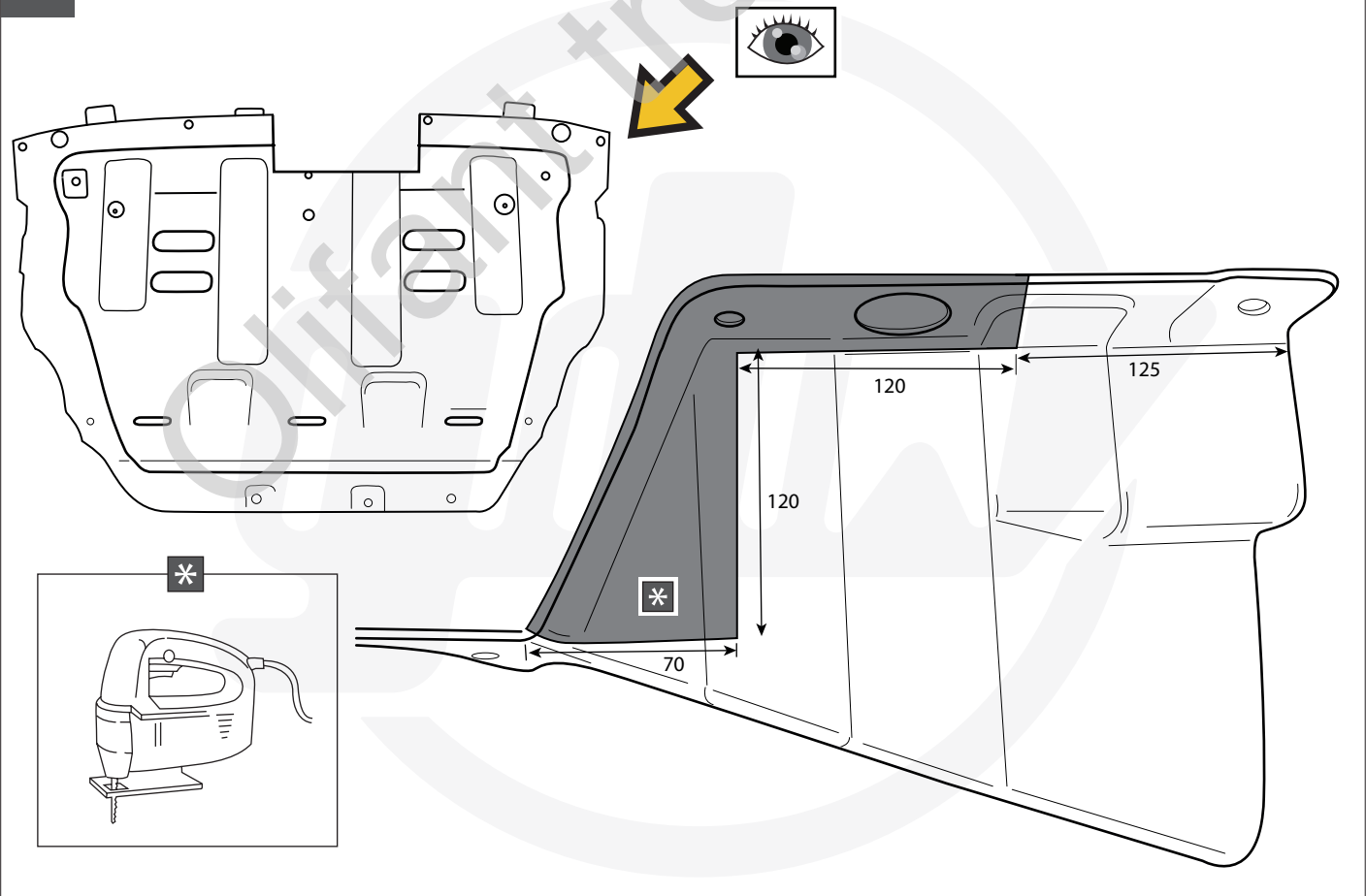
10



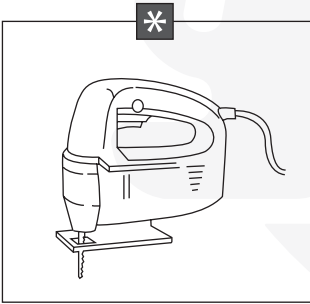
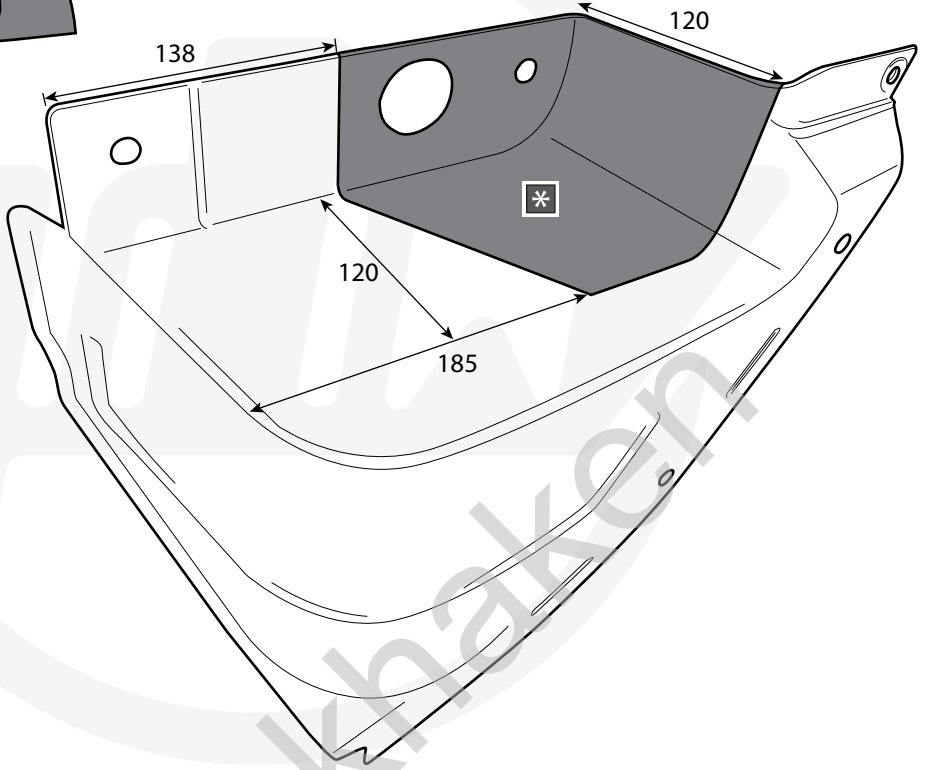
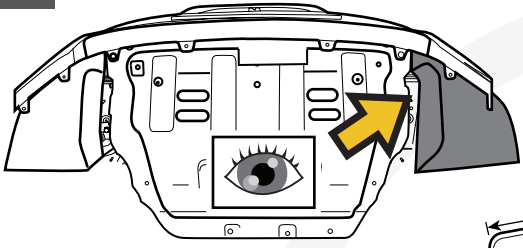
11



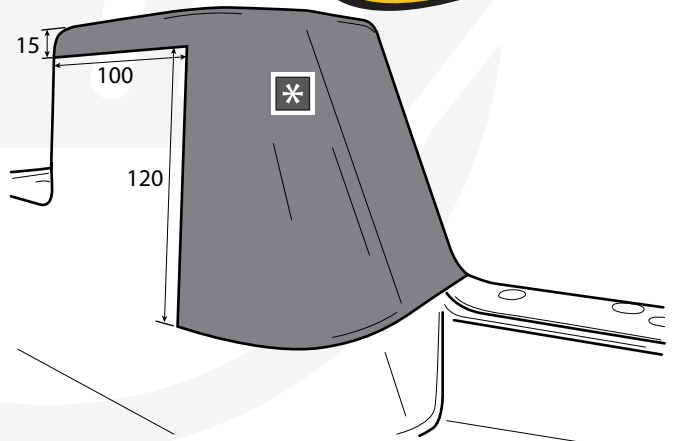
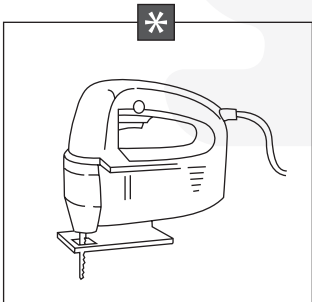
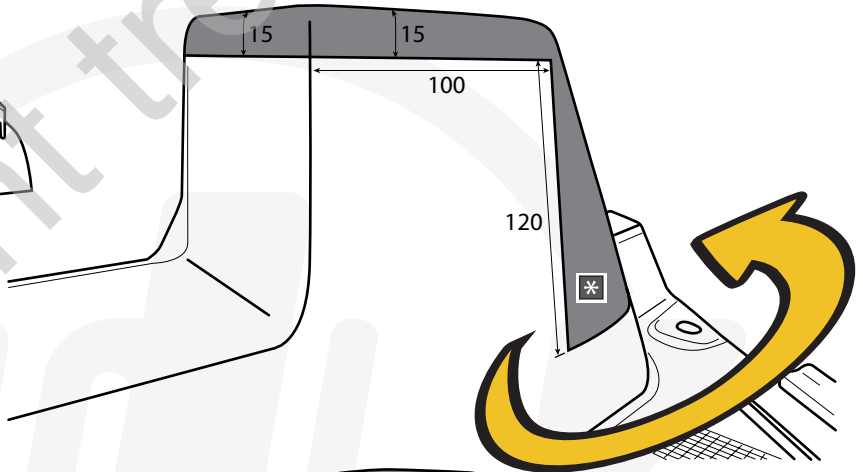
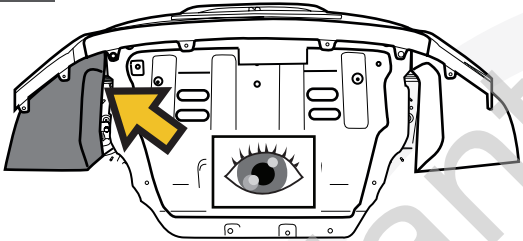
12

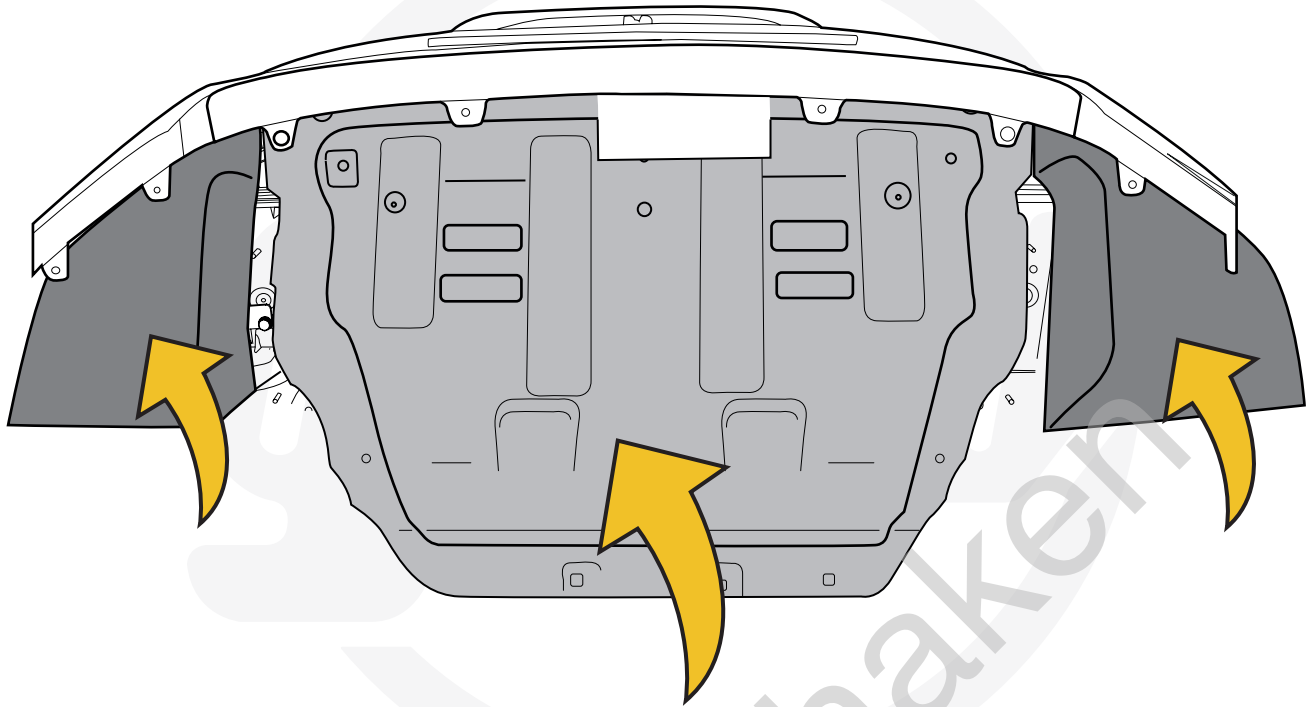


13



14





Olifant trekhaken