

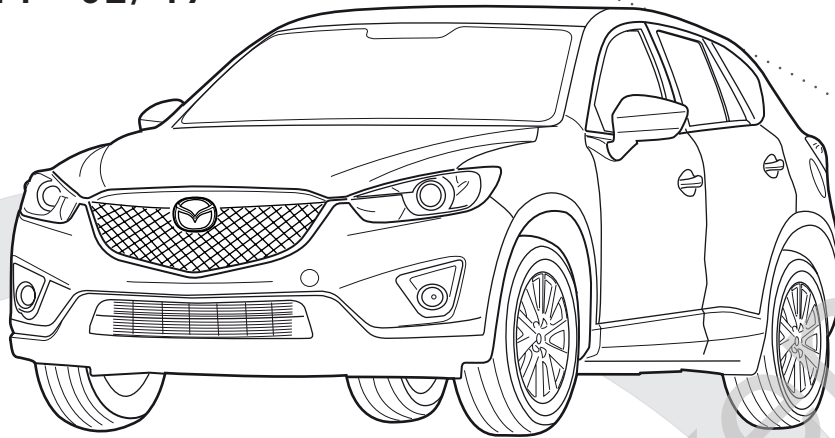


TREKHAKEN • ATTELAGES • ANHÄNGERVORRICHTUNGEN • TOWBARS • ENHANCES • ANHÆNGERTRÆK

Montagehandleiding | instructions de montage | Einbauanleitung | Mounting instruction
Instrucciones de montaje | monteringsvejledning

Mazda CX5 (type KE, GH)

11/'11 - 02/'17



Mazda CX5 (type KF) + Facelift

03/'17 -

09/'21 -

✓ STANDARD

✓ AD BLUE

✓ NEWGRAND

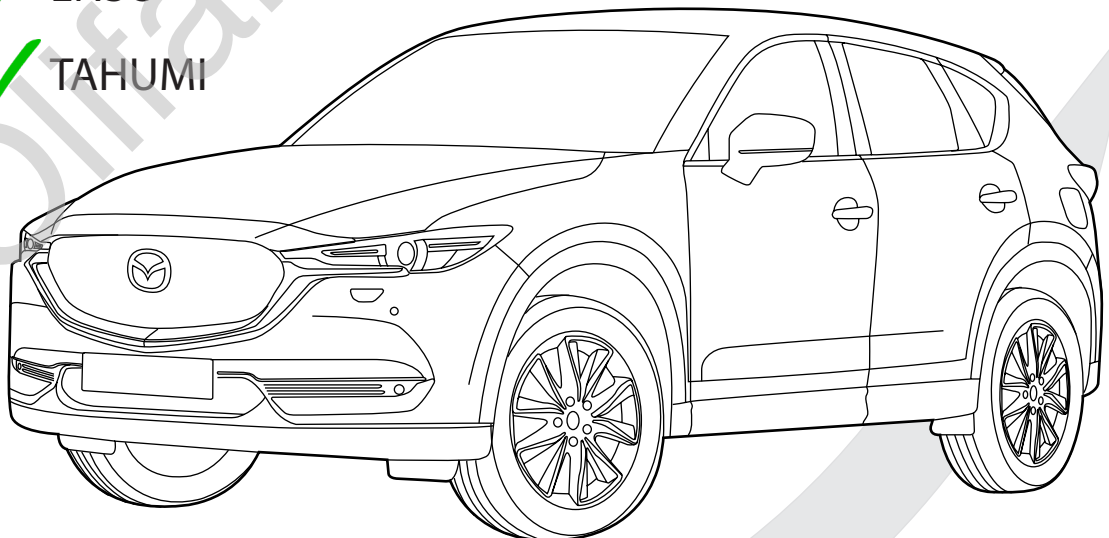
✓ HUMURA

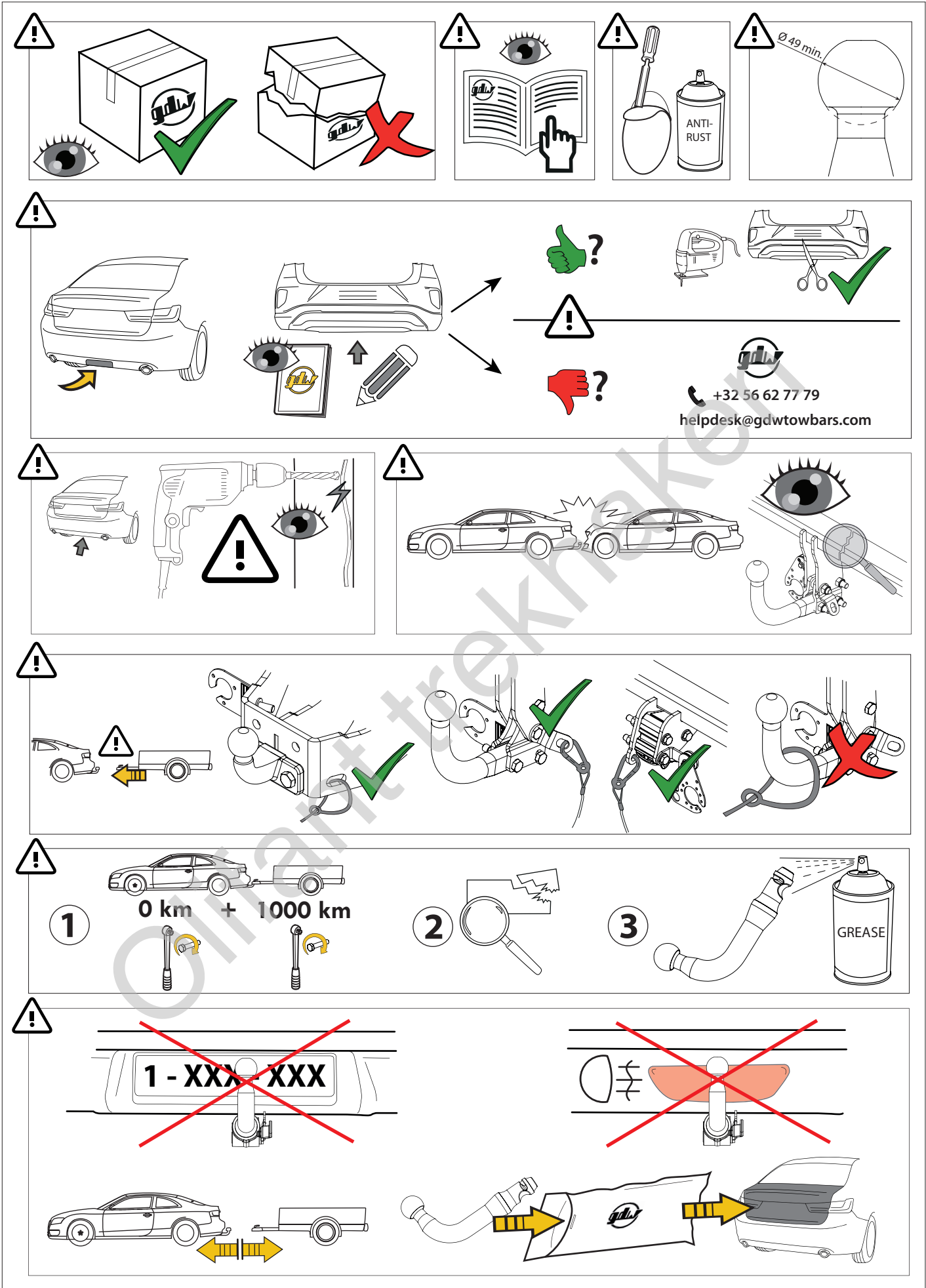
✓ ENSO

✓ TAHUMI

✓ STANDARD

✓ KICK SENSOR



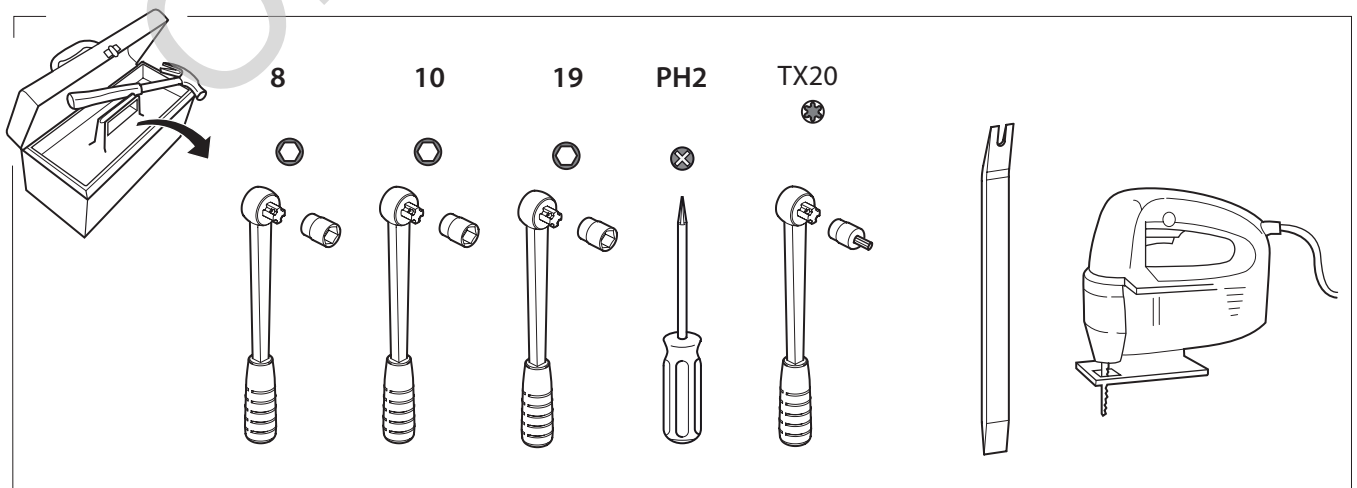
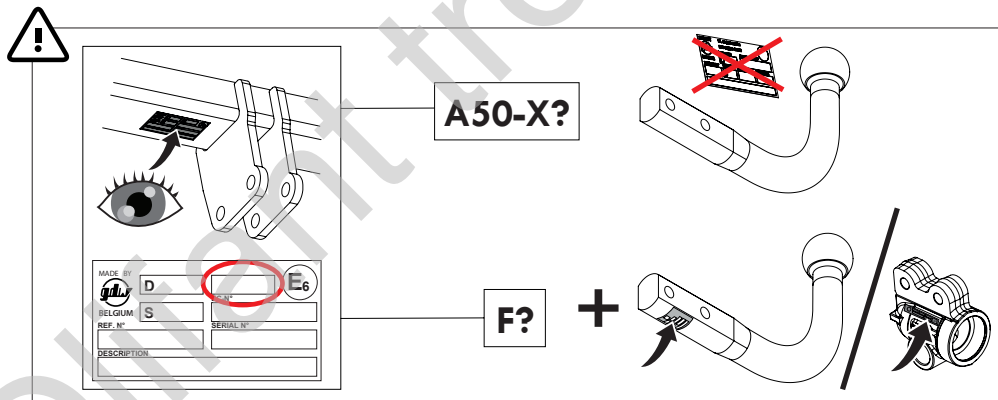
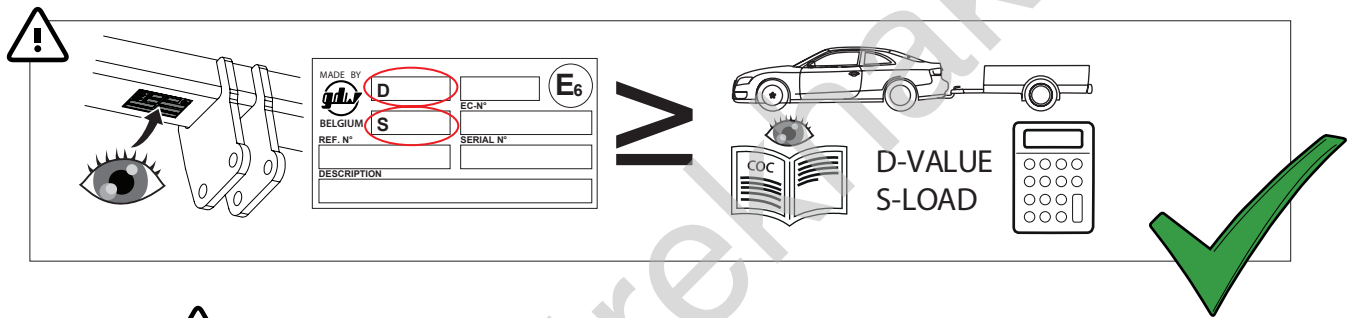
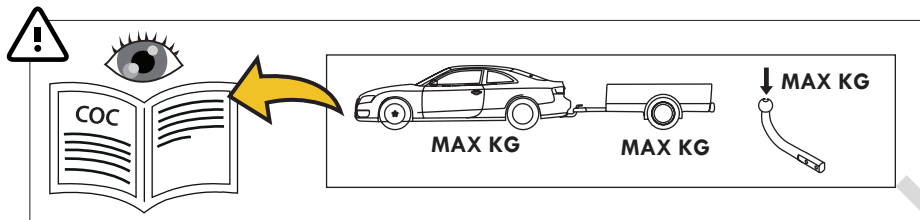


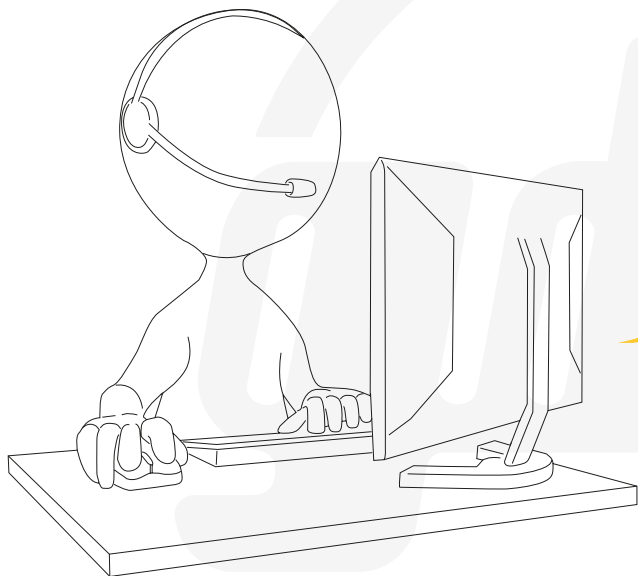
MADE BY 	D 10,80	F	E6
BELGIUM	S 110	EC-N° 55R-01 1530	
REF N° 2374T60		SERIAL N° XXXX	
DESCRIPTION Mazda CS5 '11-			

$$D = \frac{\text{max kg (car)} \times \text{max kg (trailer)}}{\text{max kg (car)} + \text{max kg (trailer)}} \times 0.00981 \leq 10,80 \text{ kN}$$

S = ≤ 110 kg ≤ 2150 kg

See the Certificate Of Conformity (COC) of your vehicle or contact your dealer to verify the max. trailer weight of your car!

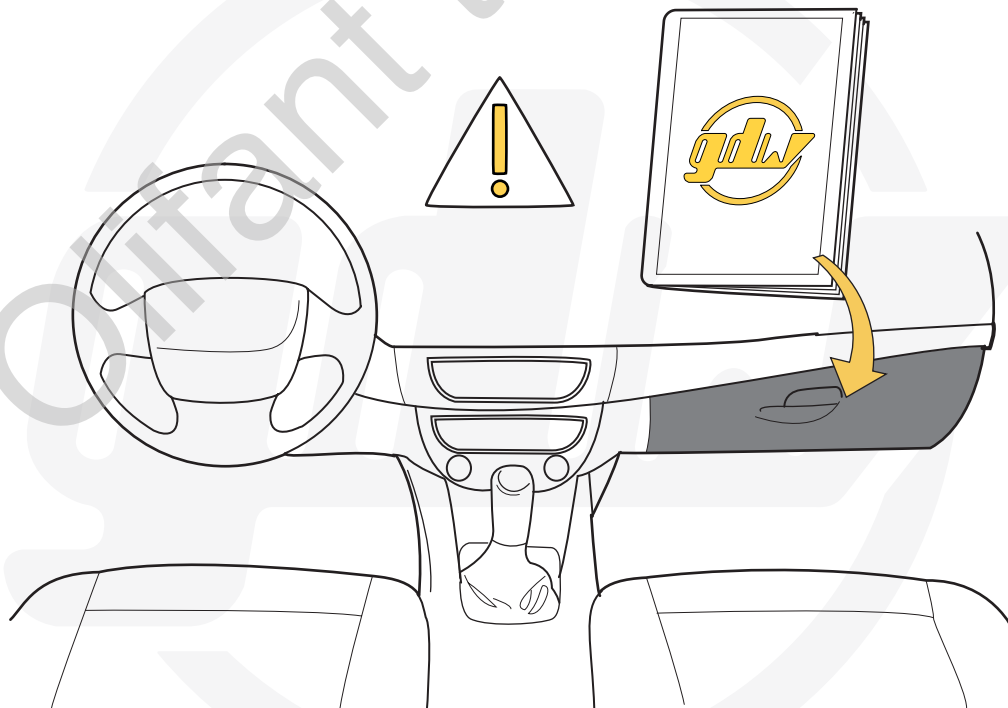


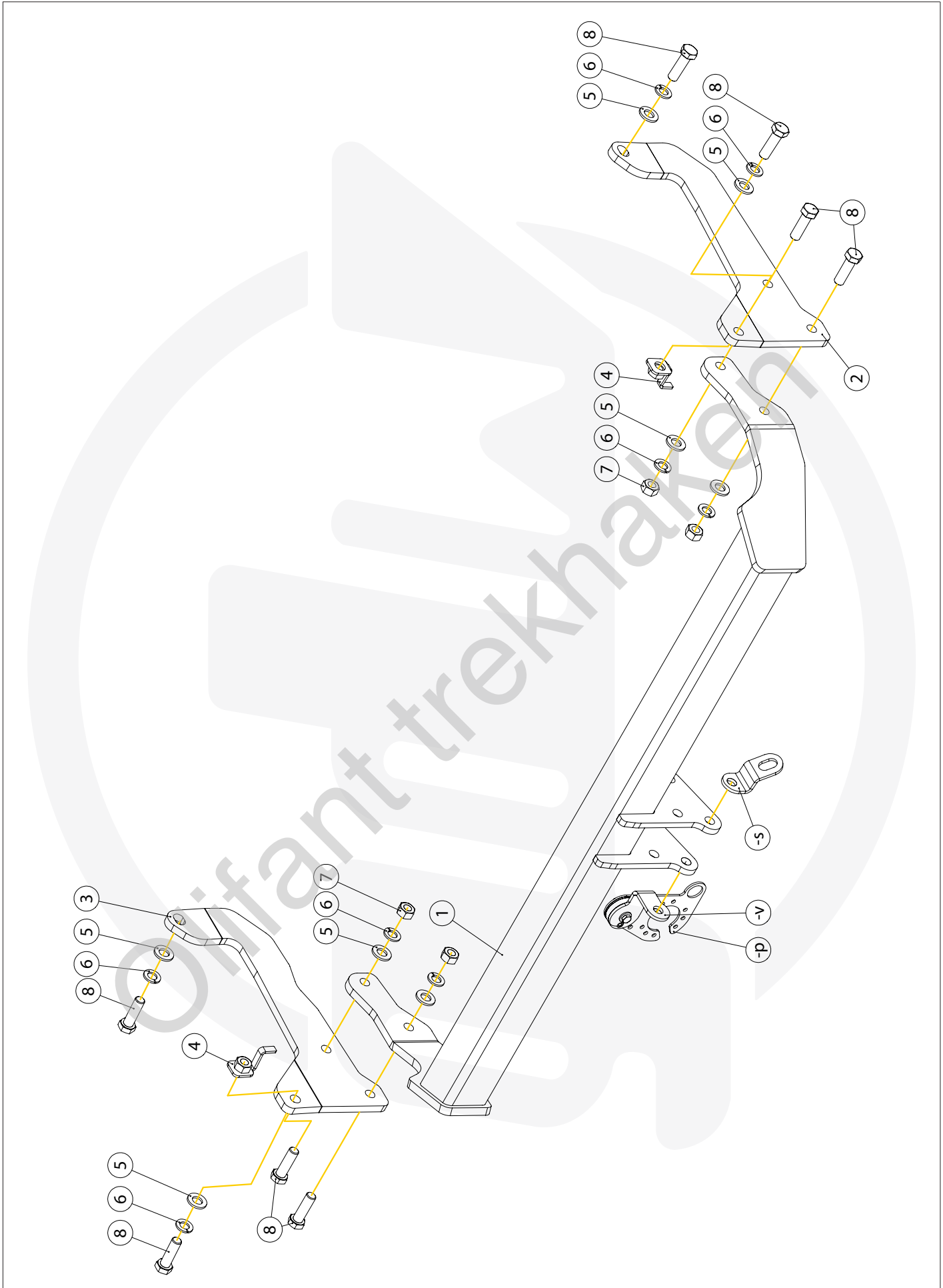


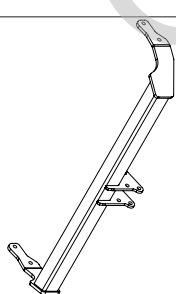
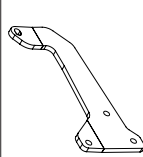
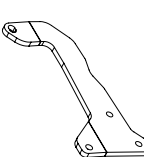






helpdesk@gdwtowbars.com

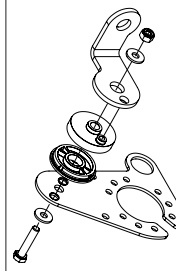

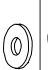


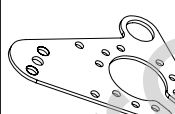


+32 56 62 77 79

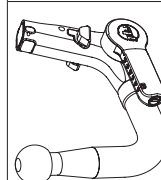

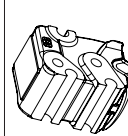


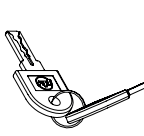
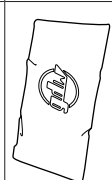
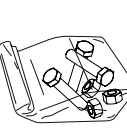



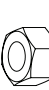
Monday	08:00 - 12:00	12:30 - 16:30
Tuesday	08:00 - 12:00	12:30 - 16:30
Wednesday	08:00 - 12:00	12:30 - 16:30
Thursday	08:00 - 12:00	12:30 - 16:30
Friday	08:00 - 12:00	12:30 - 15:30





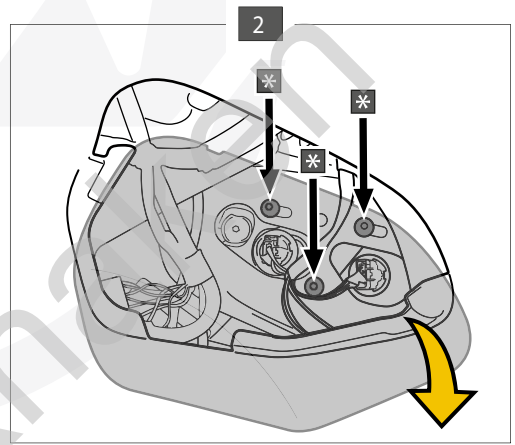
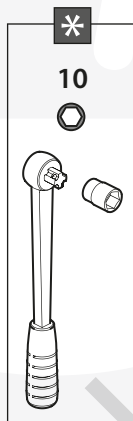
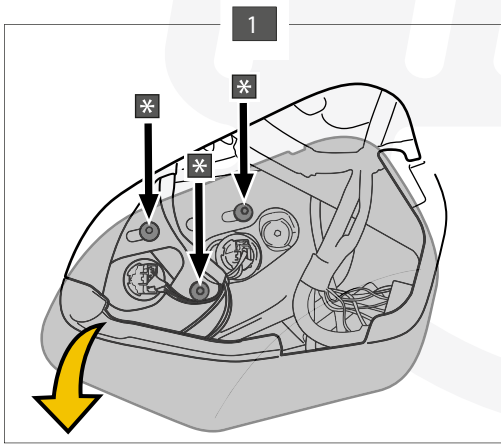
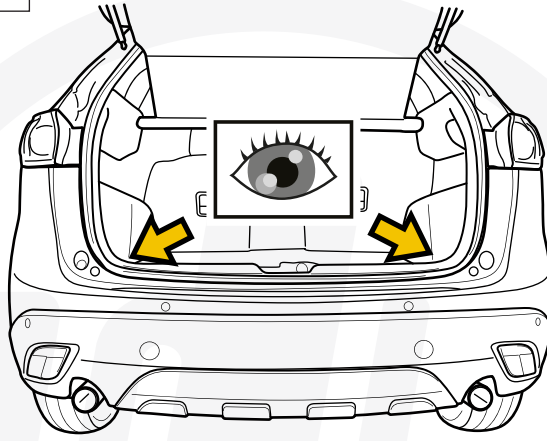
1		X1	GDW REF. 2374T160
2		X1	GDW REF. 2
3		X1	GDW REF. 3
4		X2	GDW REF. 4
5		X8	DIN125-A12-140HV-ELVZ
6		X8	DIN128A-M12
7		X4	DIN934-M12 X 1,25
8		X8	DIN933-M12X40 X 1,25
-V		X1	GDW REF. 908.095

-P		X1	GDW REF. P39
↳		X1	DIN985-M6
↳		X2	6,2 X 15,4 X 1,6 (NYLON)
↳		X1	GDW REF. 718.16.002
↳		X1	GDW REF. 718.16.003
↳		X1	GDW REF. 908.094
↳		X1	DIN933-M6 X 30
↳		X1	GDW REF. 908.095

Geleverd met - Livré avec - Delivered with Geliefert mit - Elementos adjuntos-Leveres med		X1	GDW REF. 960.V0608
	↳ 	X1	GDW REF. 740.200
		X1	GDW REF. 912.003
	↳ 	X1	GDW REF. 740.112
	↳ 	X1	GDW REF. 740.111
		X1	GDW REF. 740.114
		X1	GDW REF. 718.15.001
		X1	GDW REF. SYST60-10
	↳ 	X3	DIN931-M12X110-8.8
	↳ 	X3	DIN128A-M12
	↳ 	X6	DIN125A-M12
	↳ 	X3	DIN934-M12

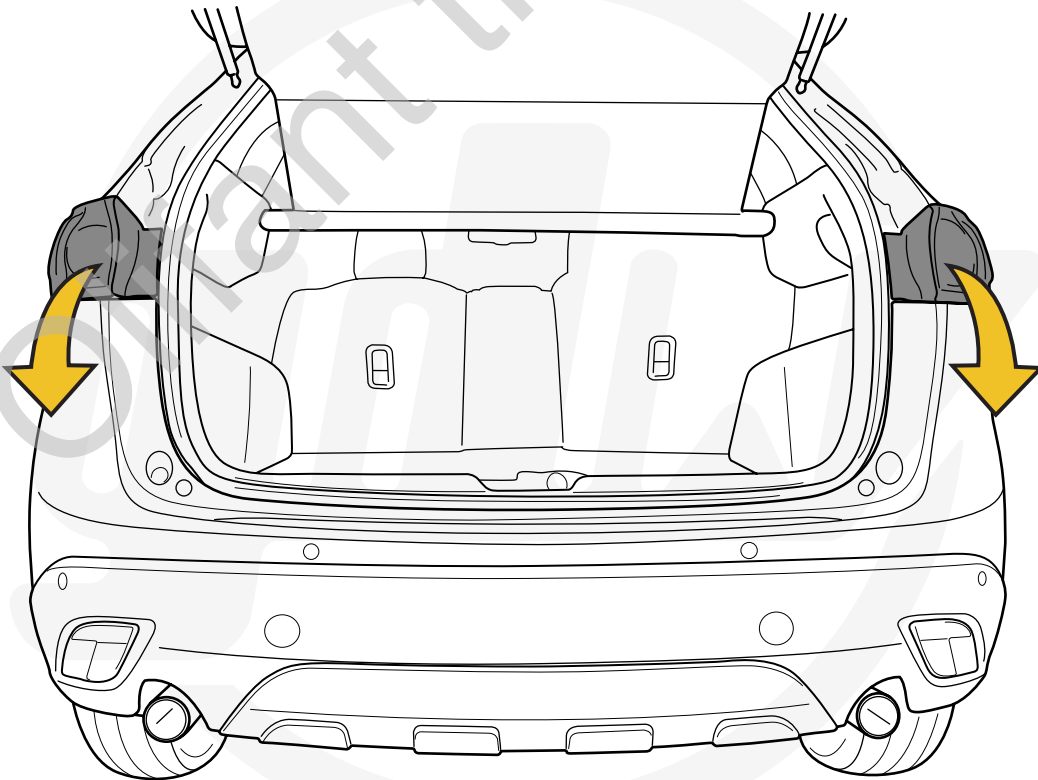
1

ONLY MODELS '12 - '16



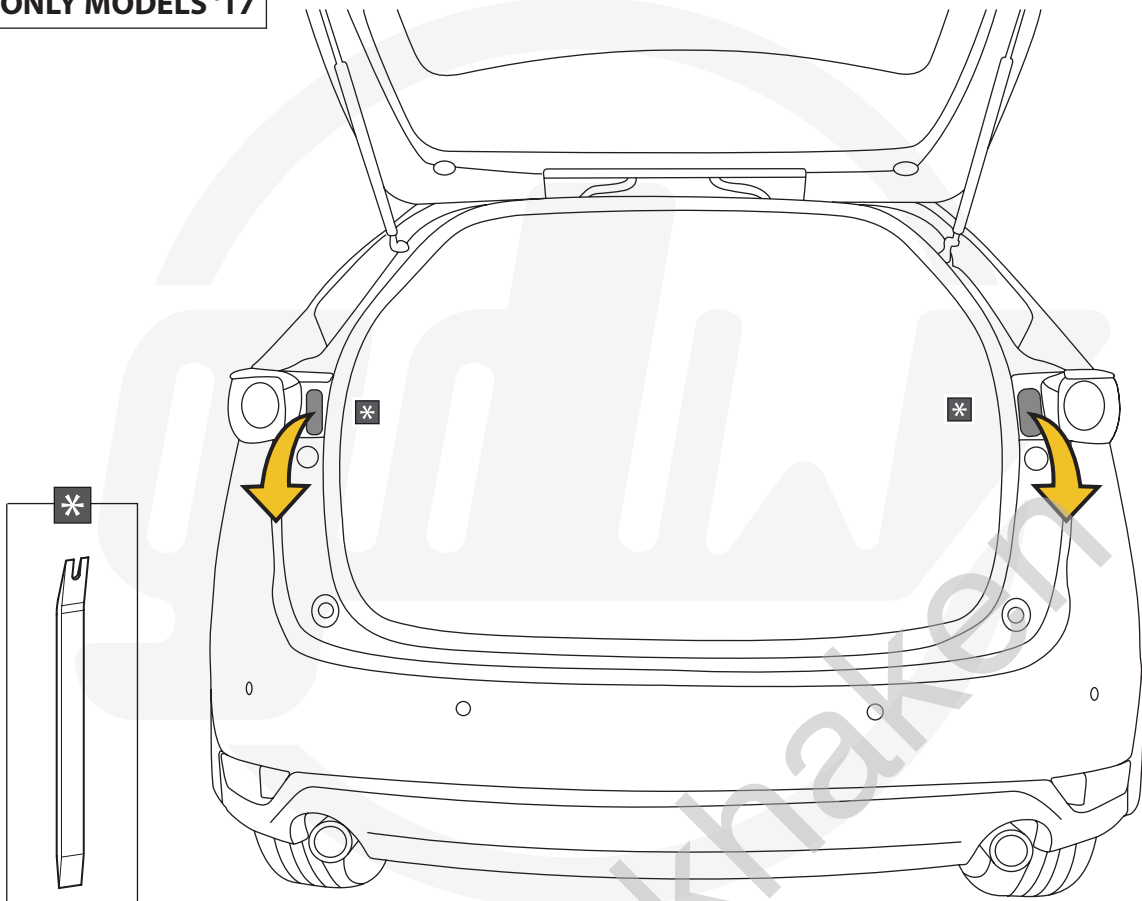
2

ONLY MODELS '12 - '16



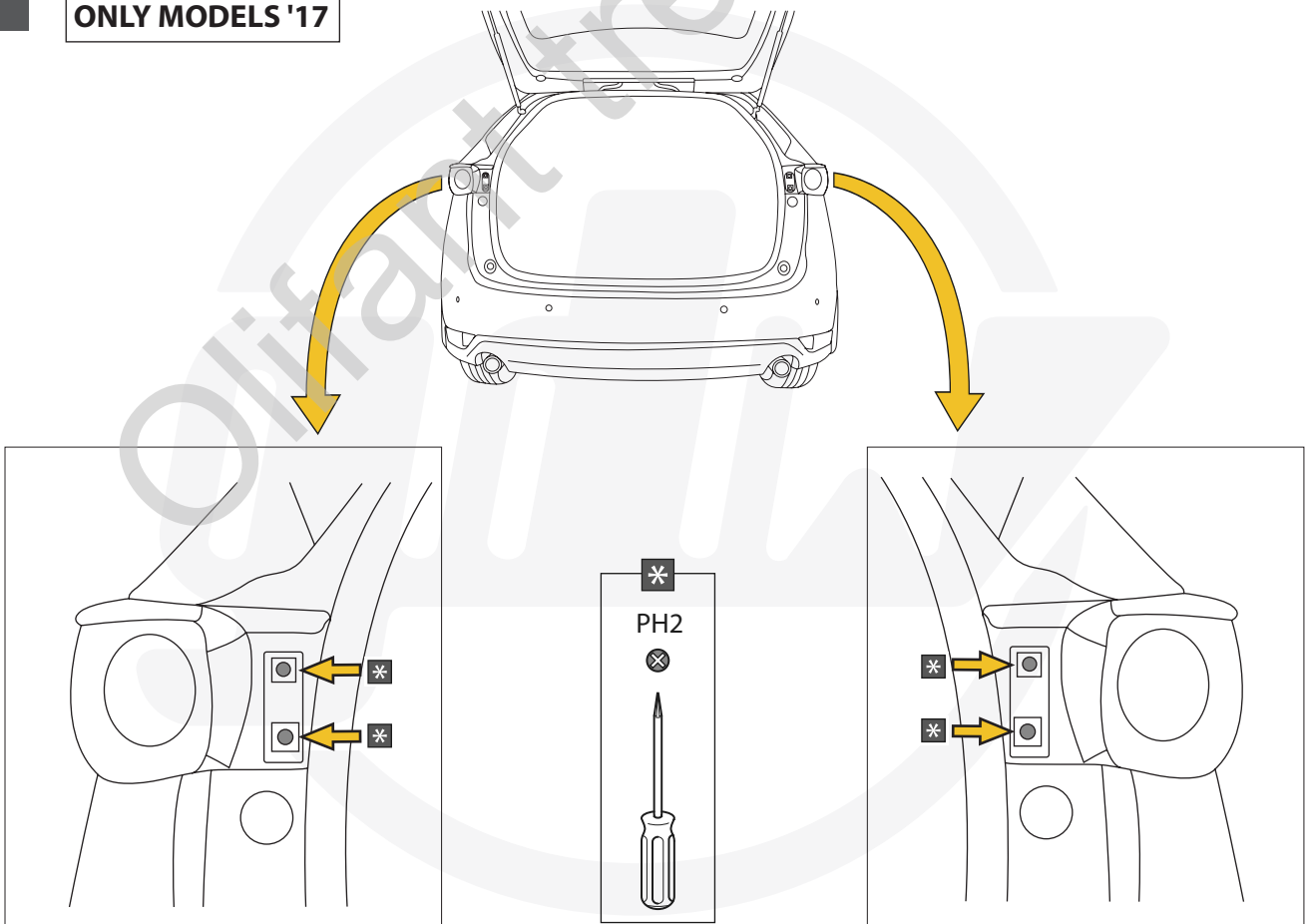
3

ONLY MODELS '17



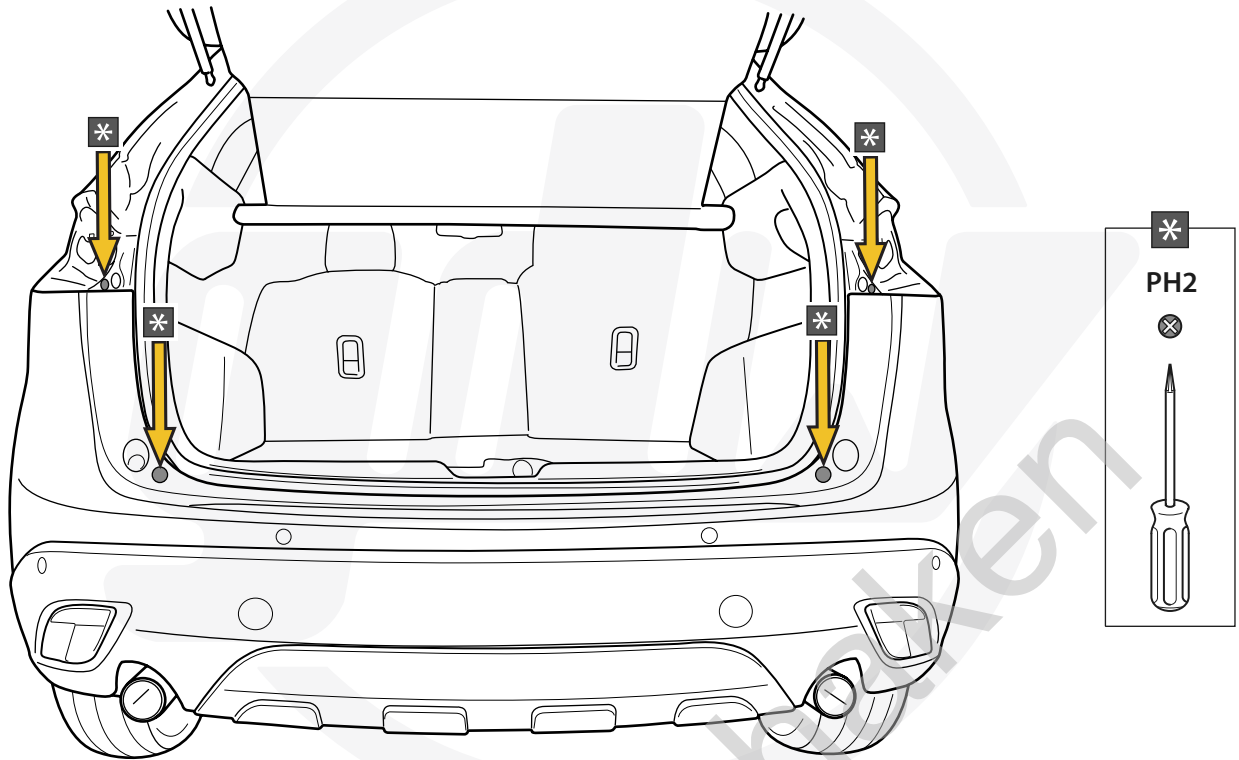
4

ONLY MODELS '17



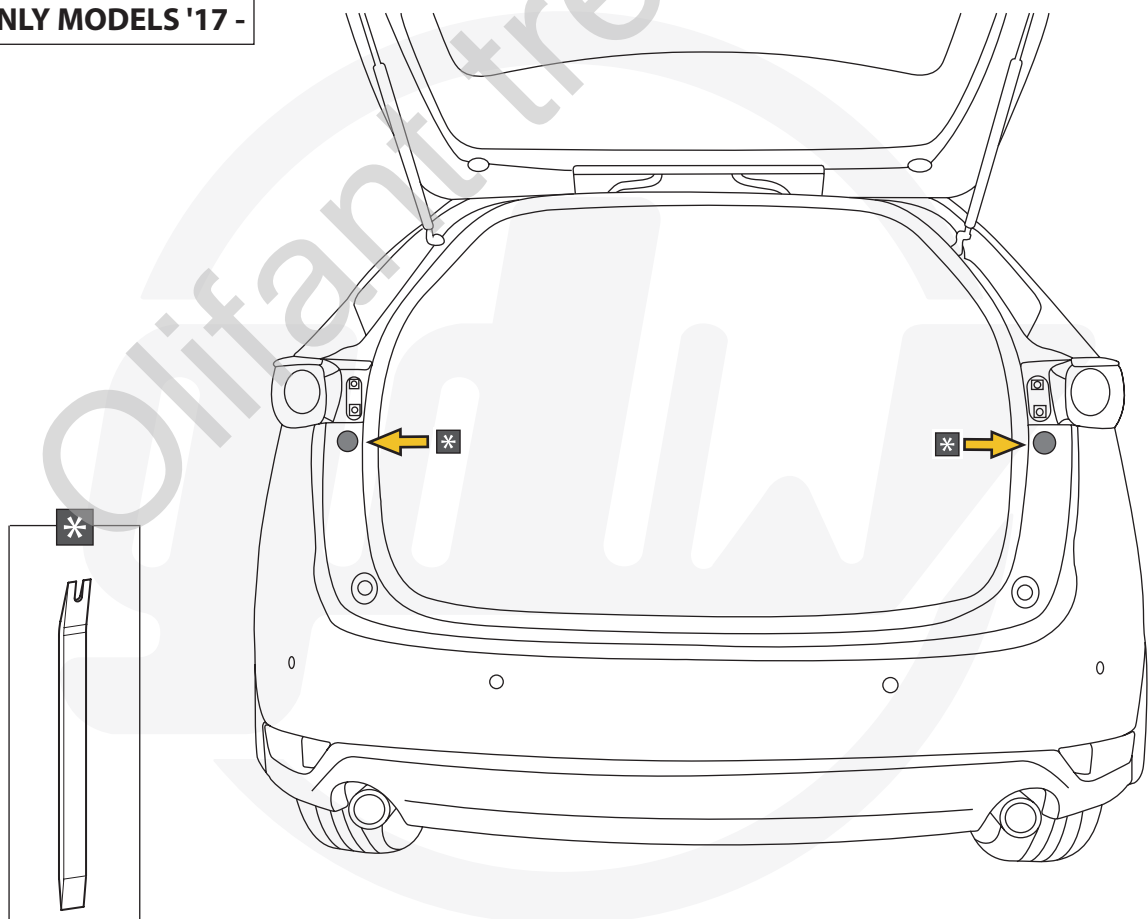
5

ONLY MODELS '12 - '16

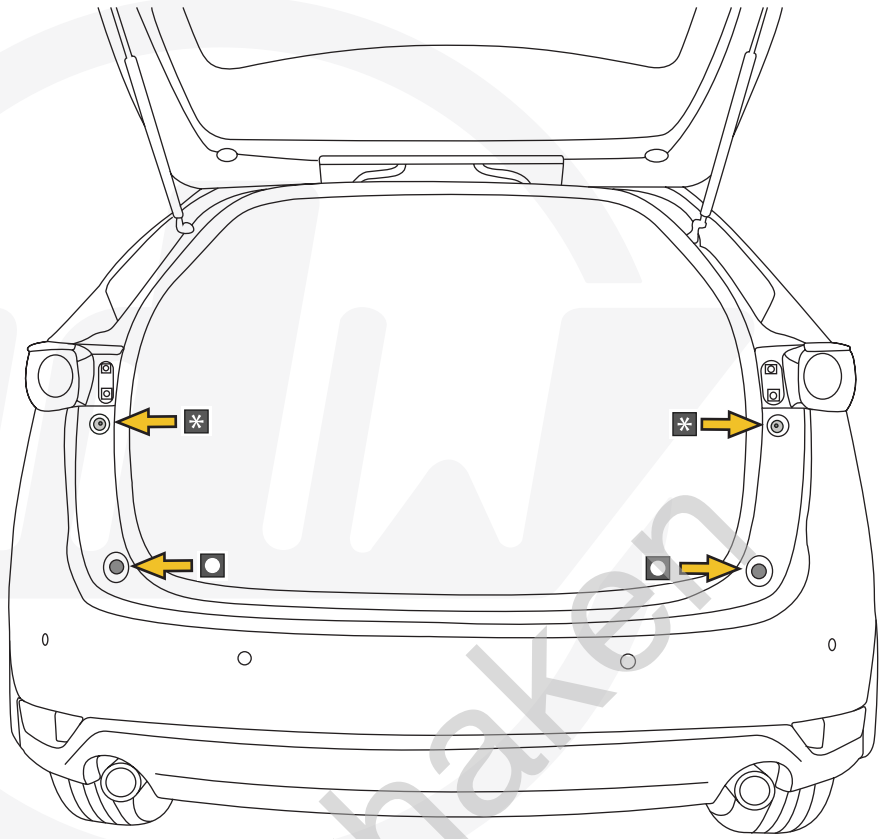
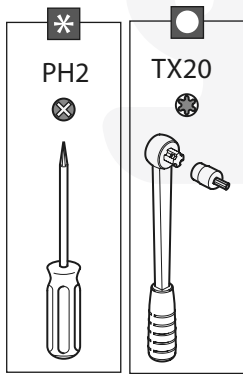


6

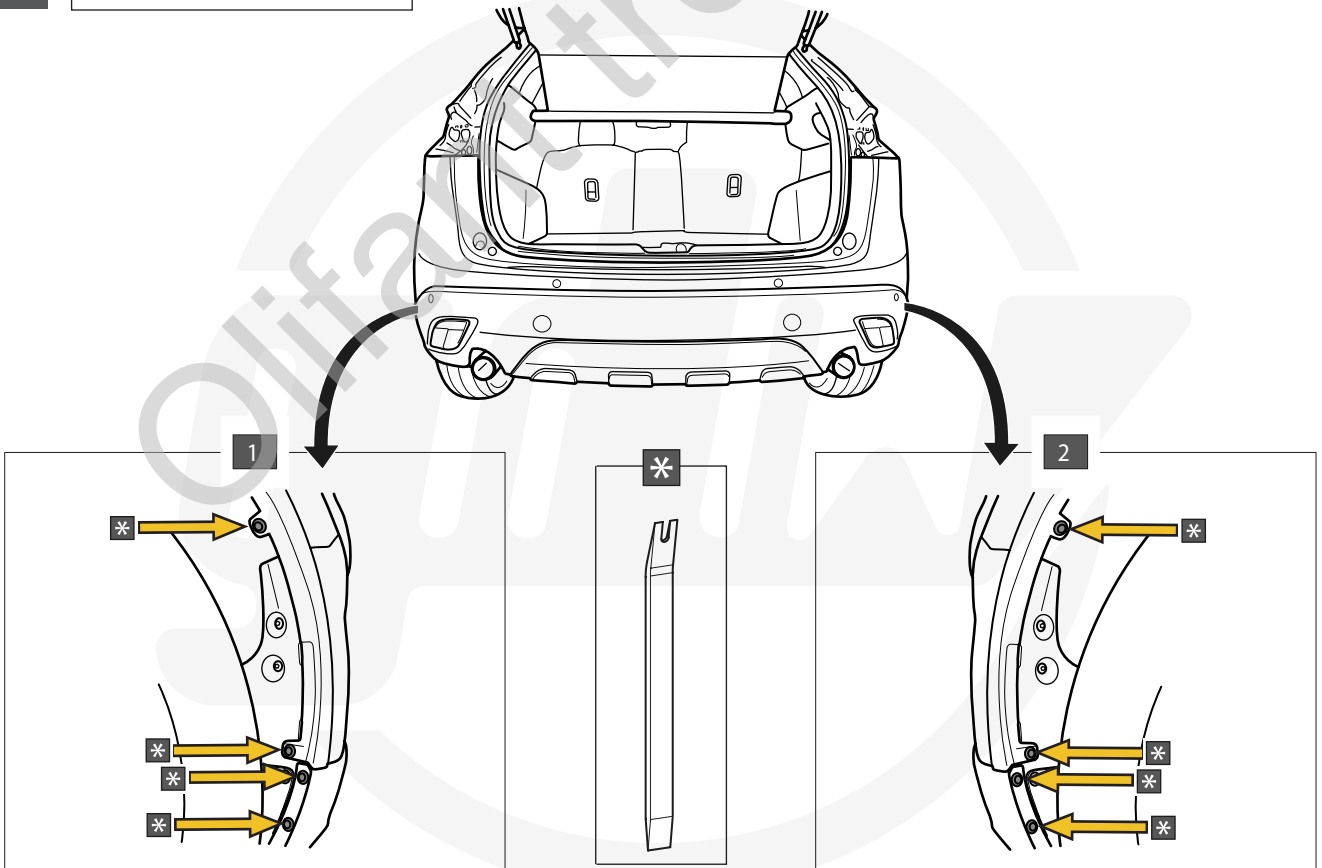
ONLY MODELS '17 -



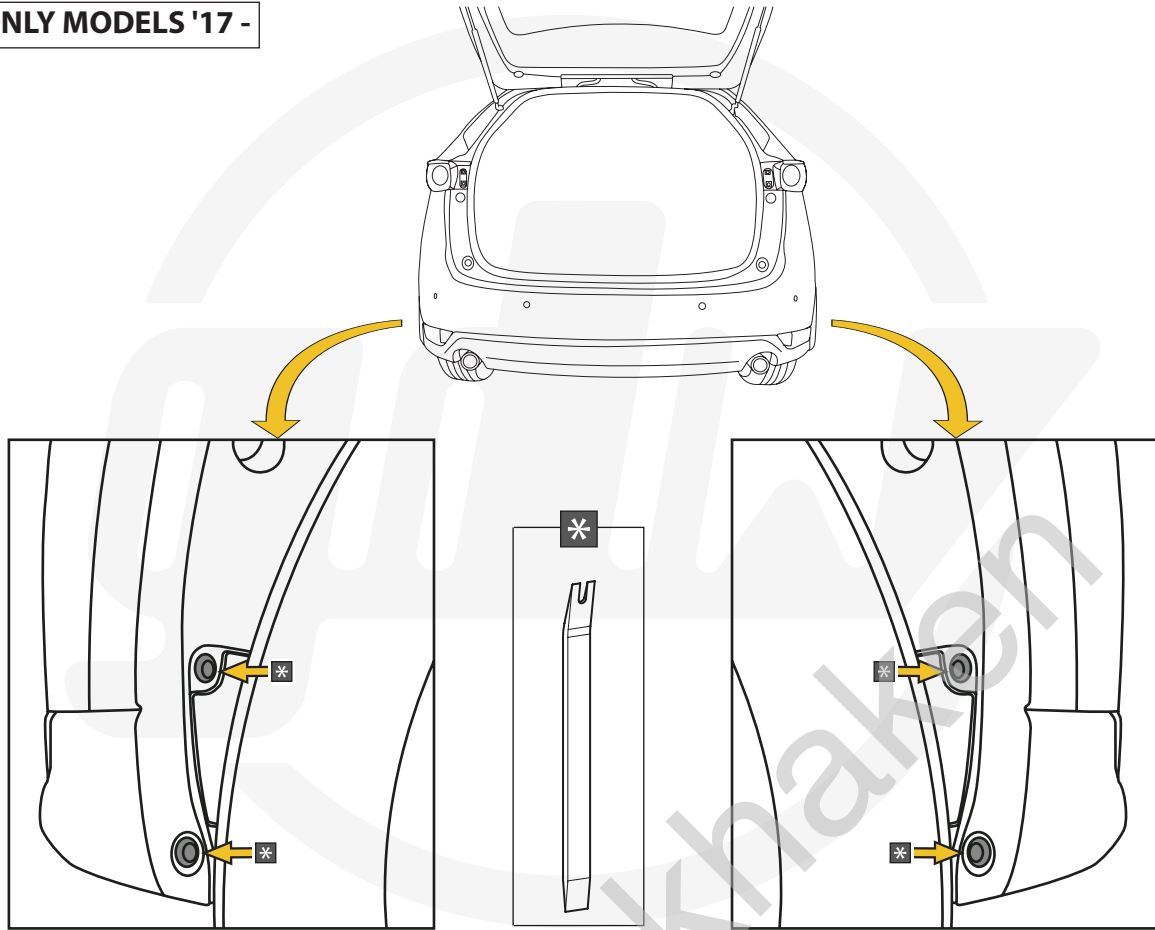
ONLY MODELS '17 -



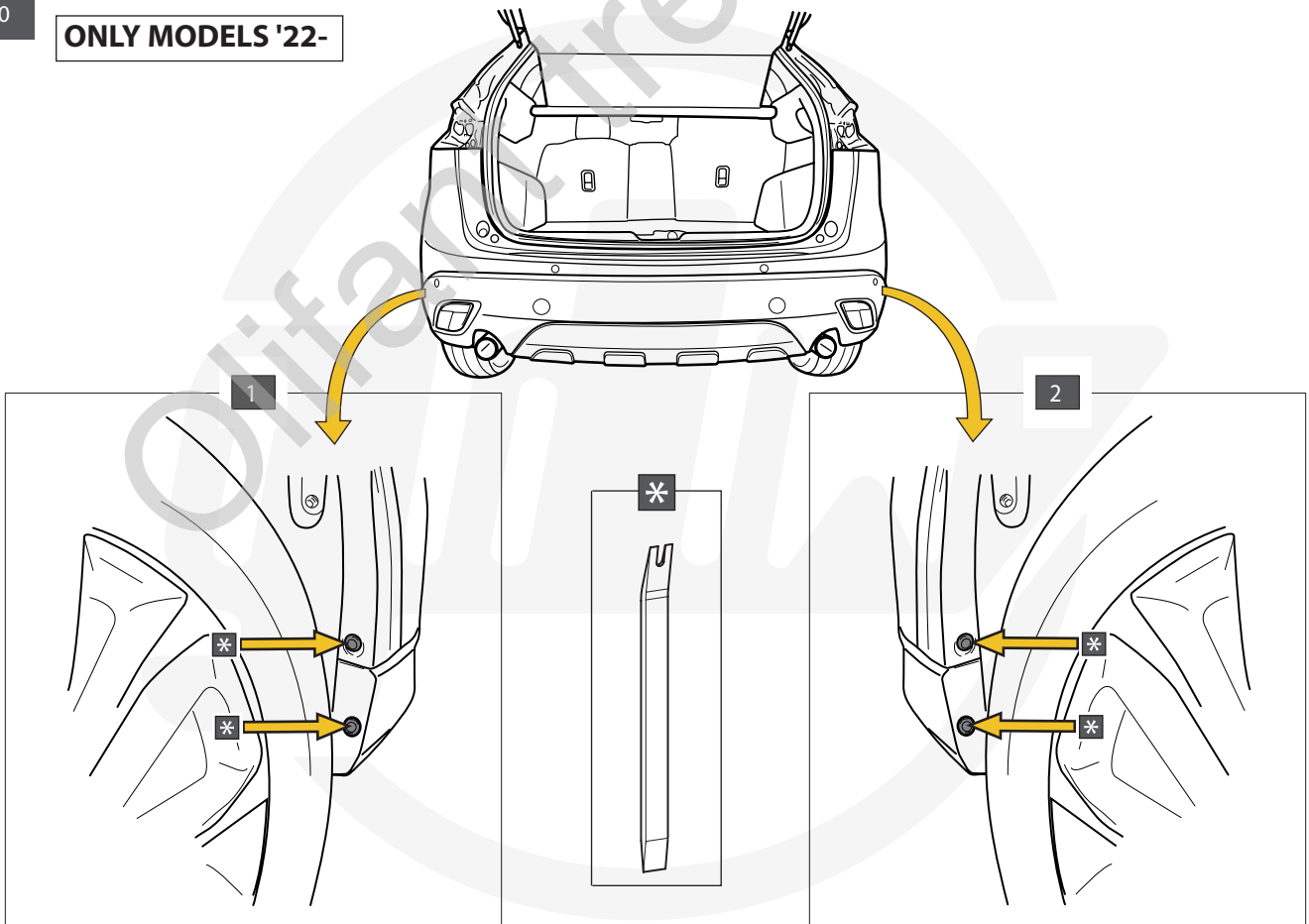
ONLY MODELS '12 - '16



ONLY MODELS '17 -

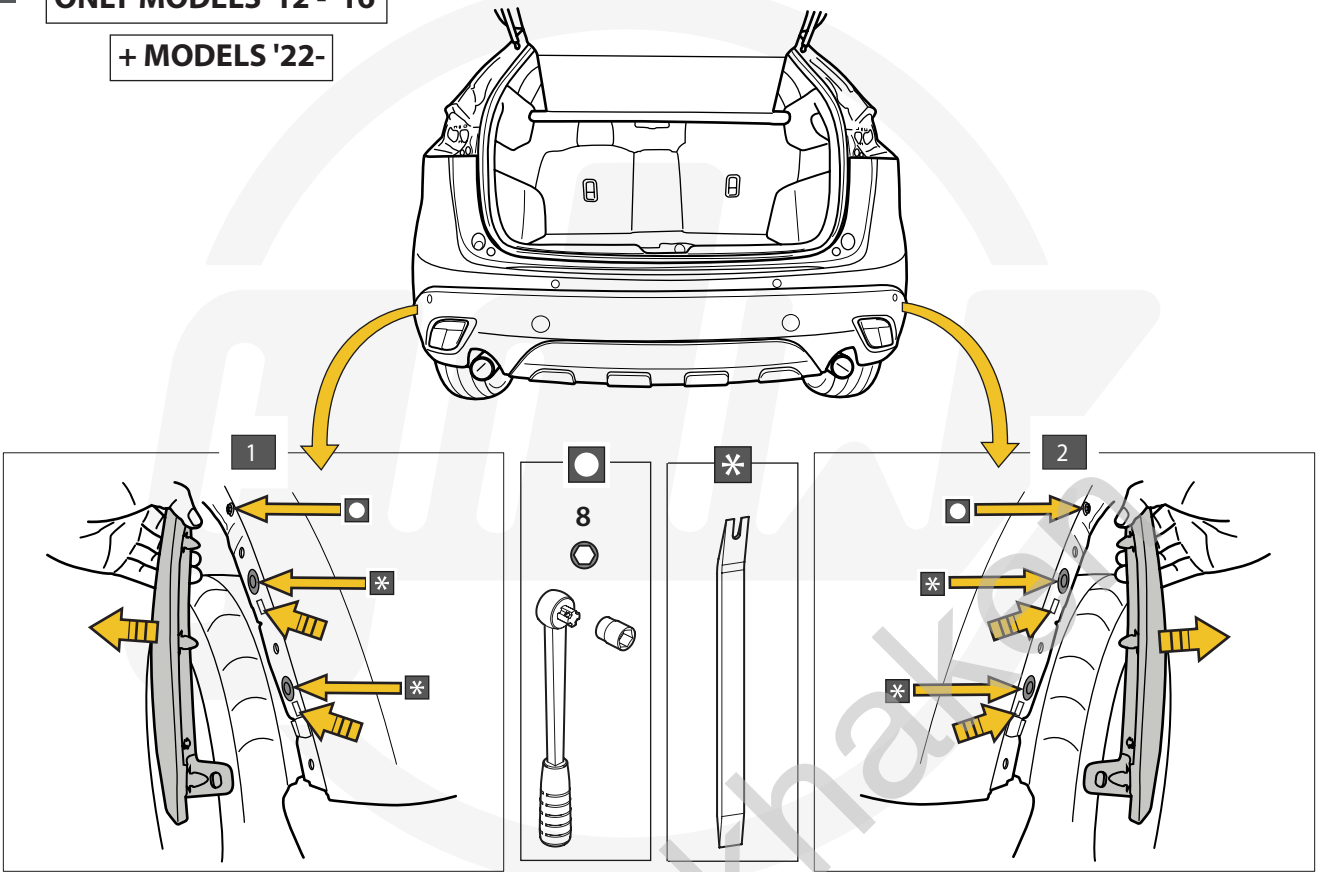


ONLY MODELS '22-

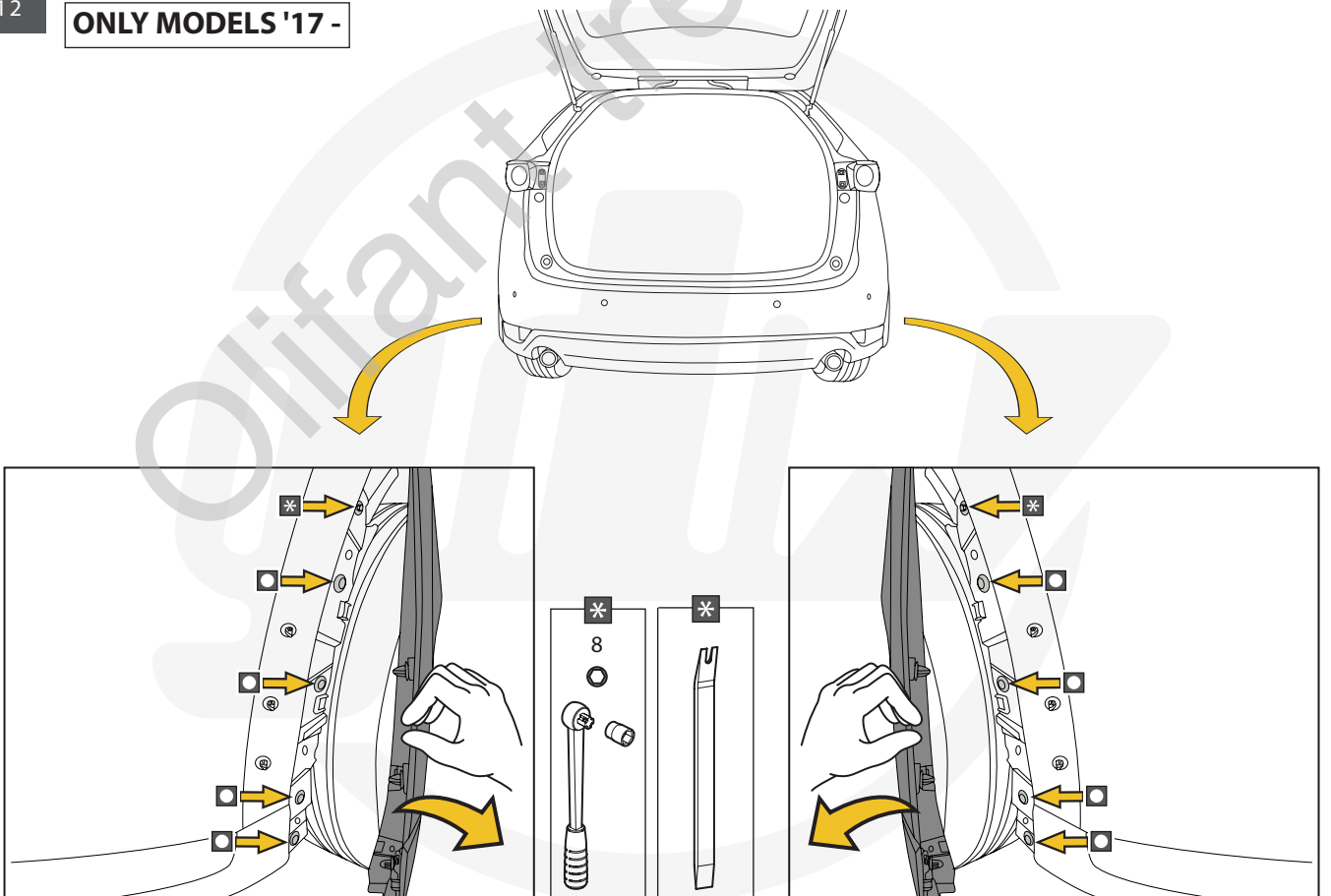


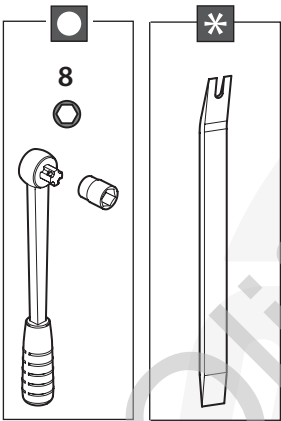
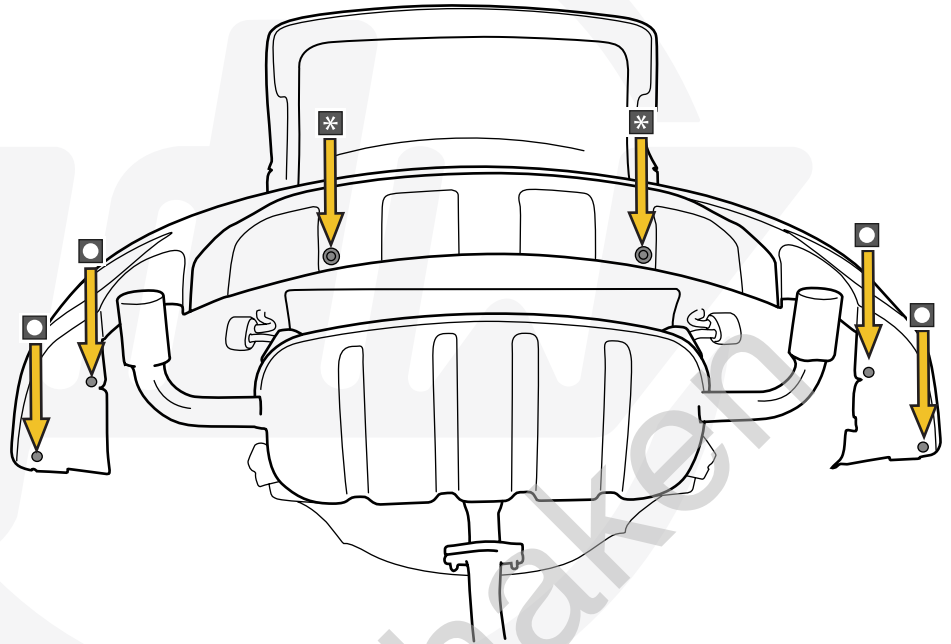
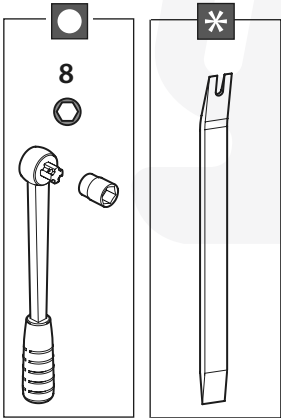
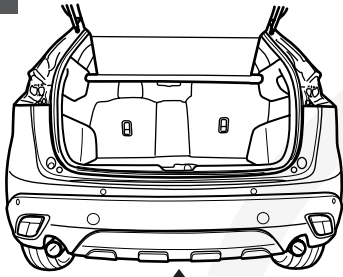
ONLY MODELS '12 - '16

+ MODELS '22-

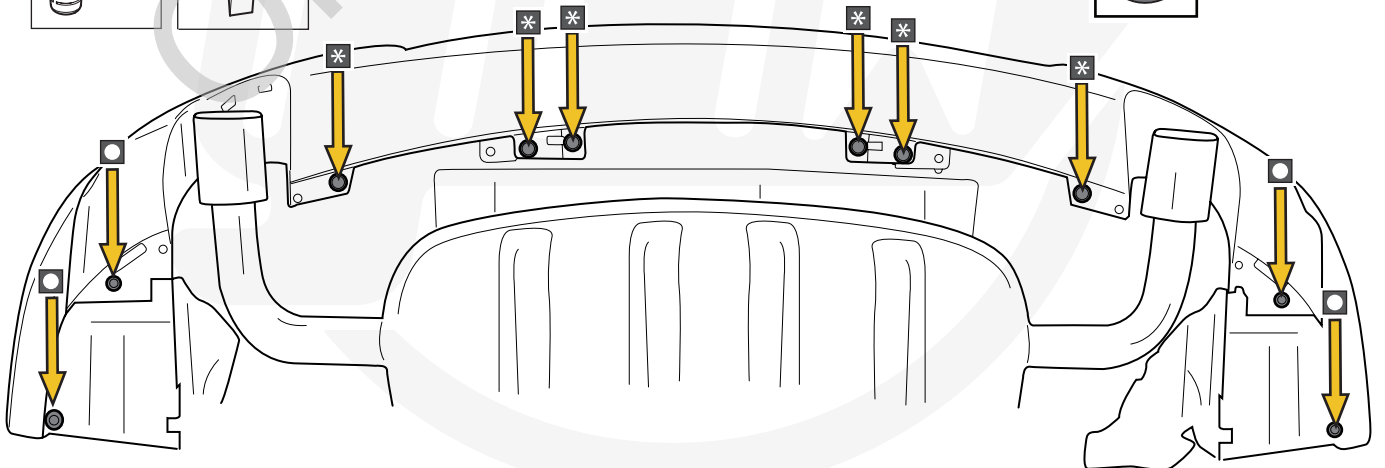
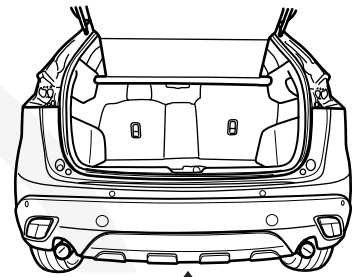


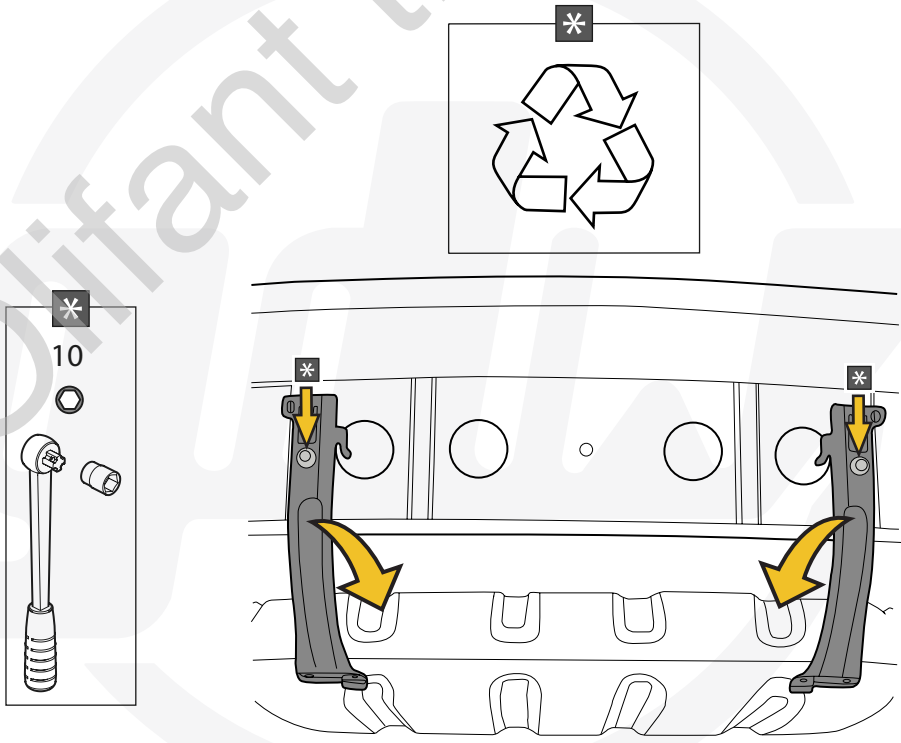
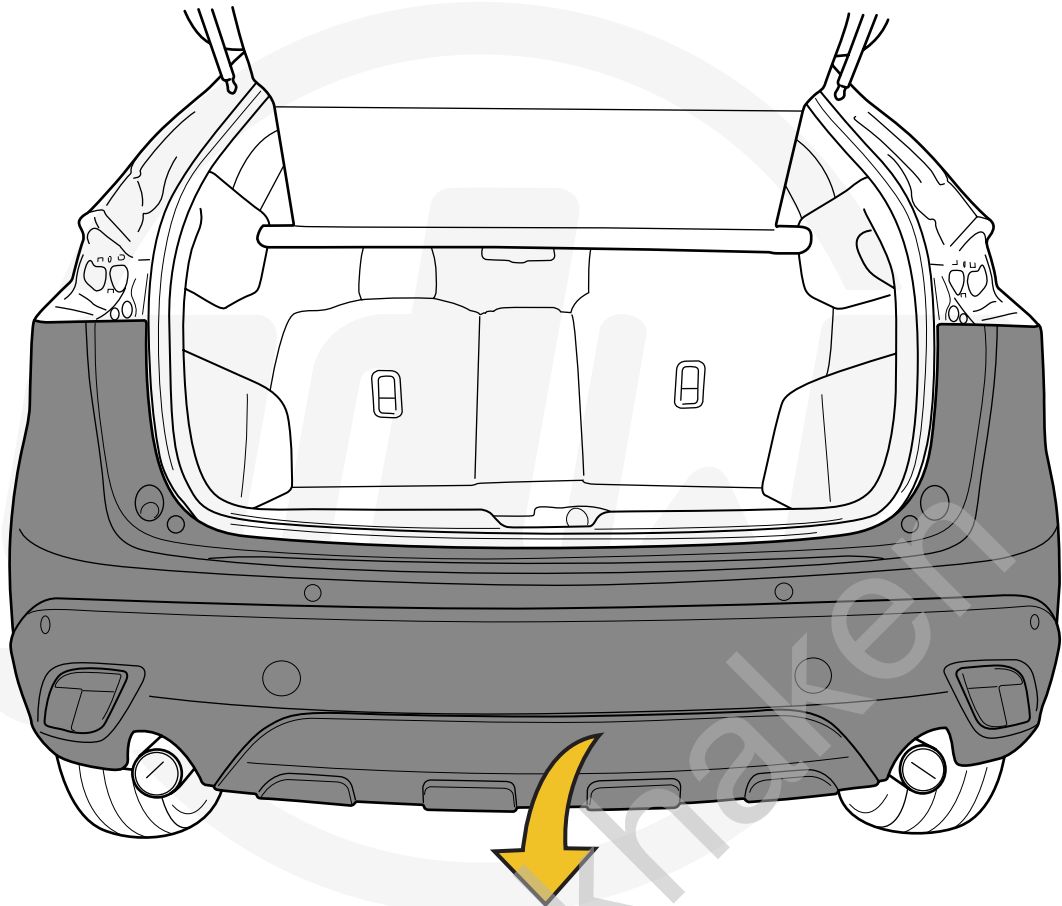
ONLY MODELS '17 -

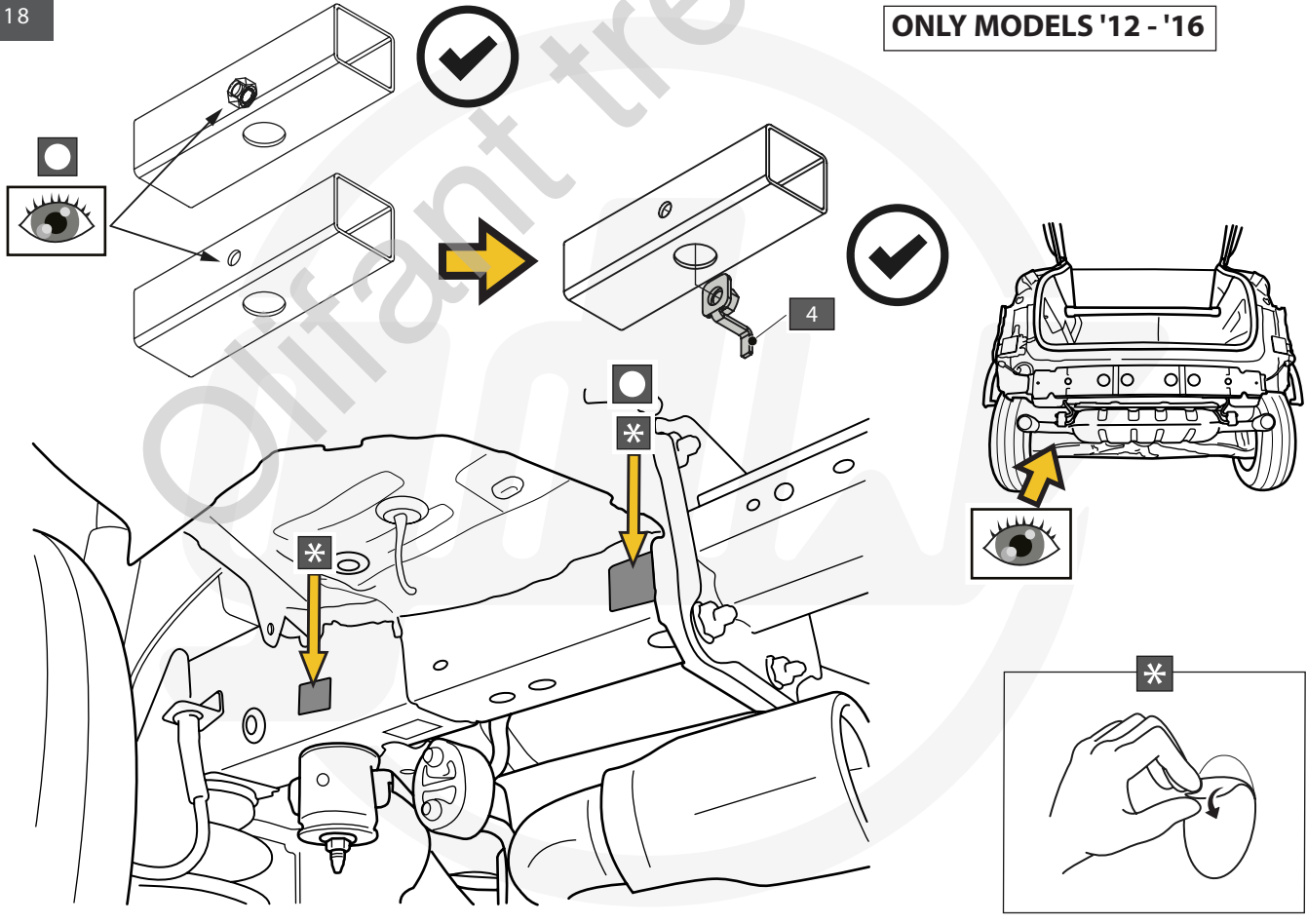
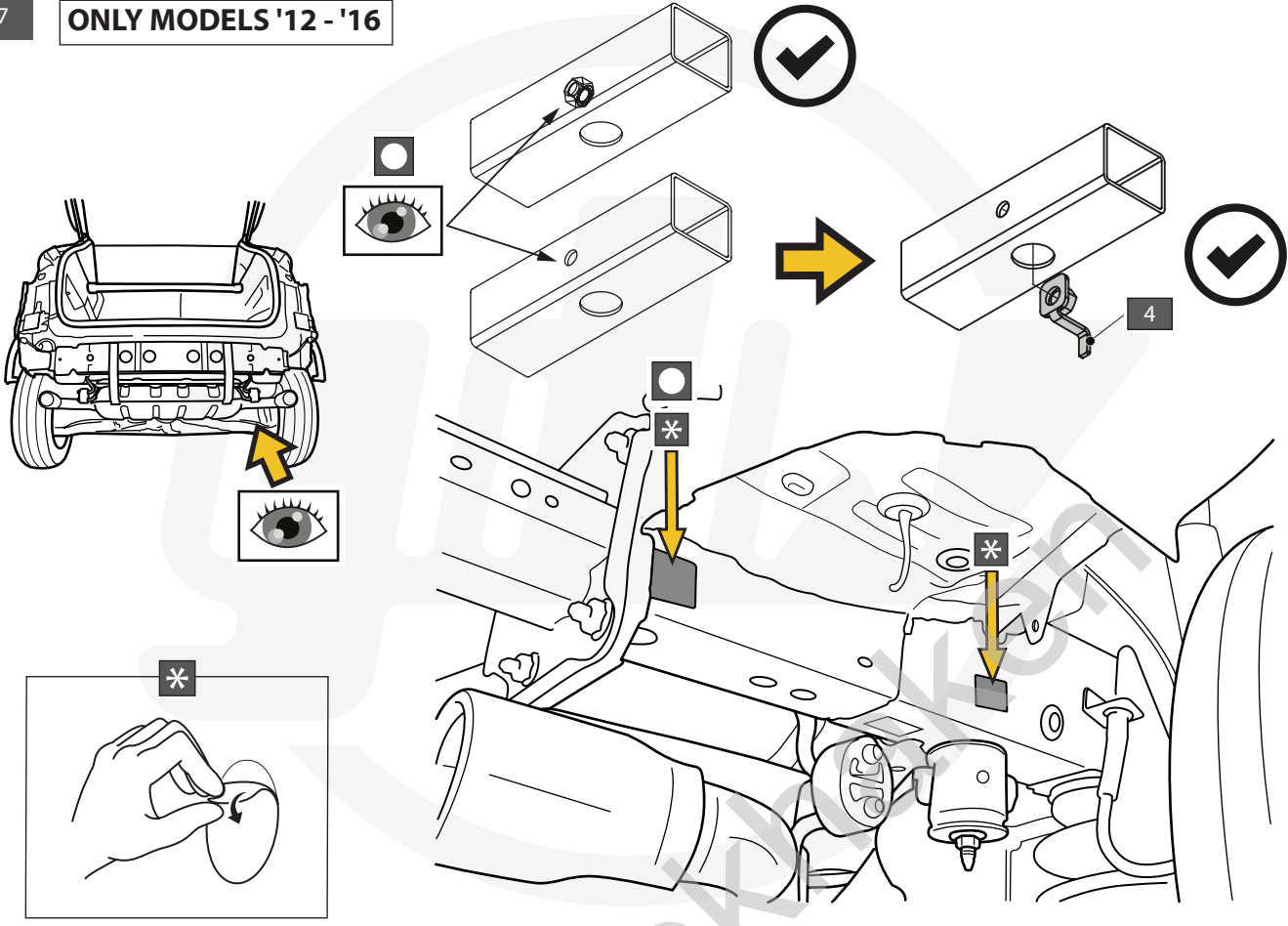




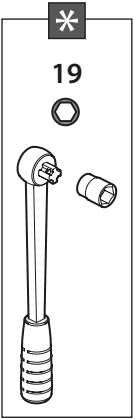
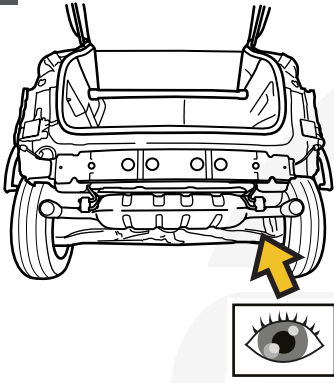
ONLY MODELS '22-



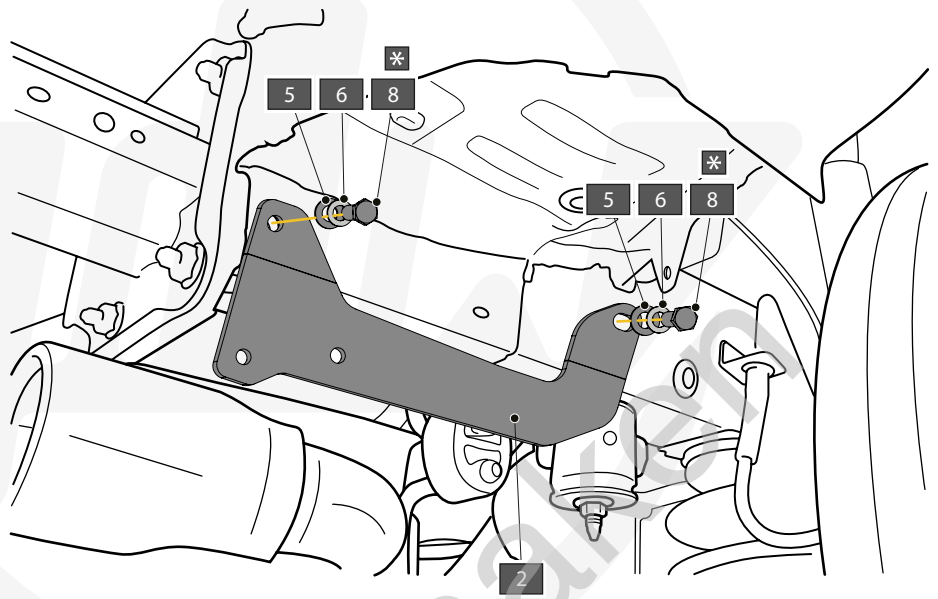




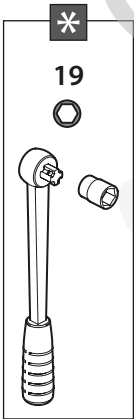
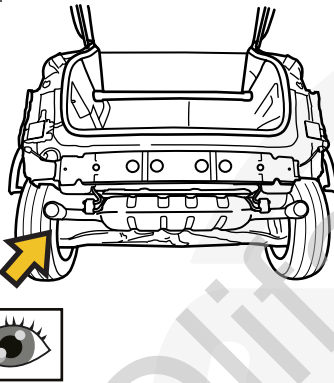
19



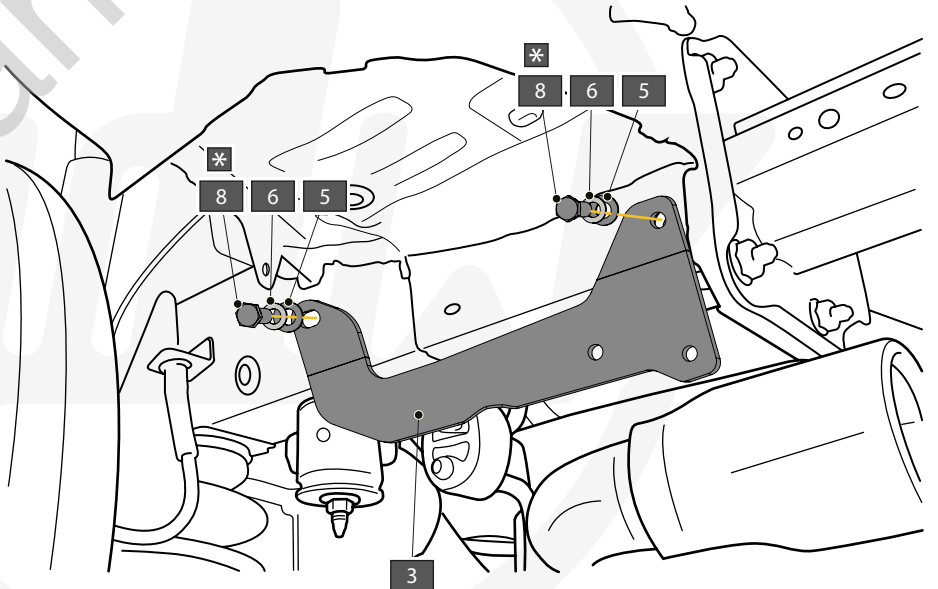
101,0 Nm

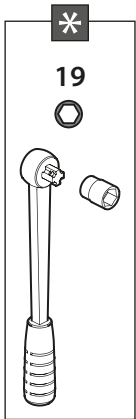
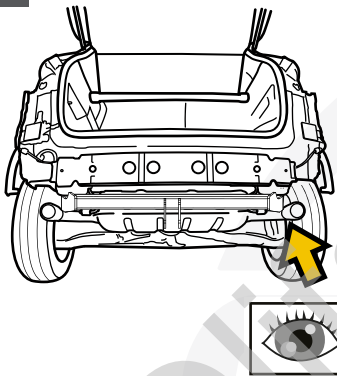
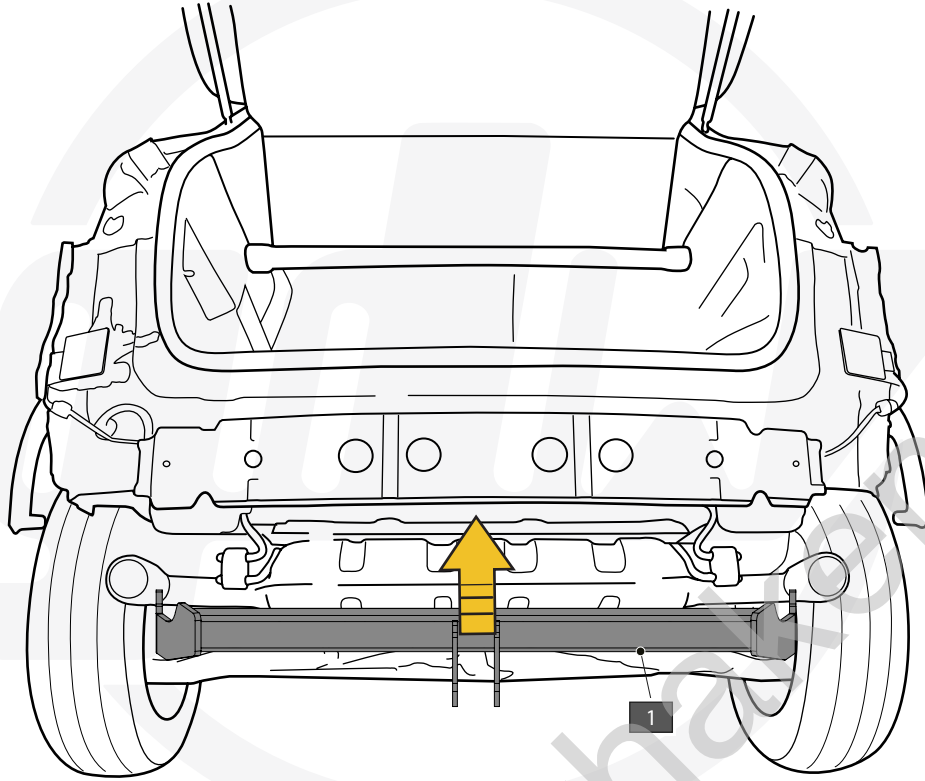


20

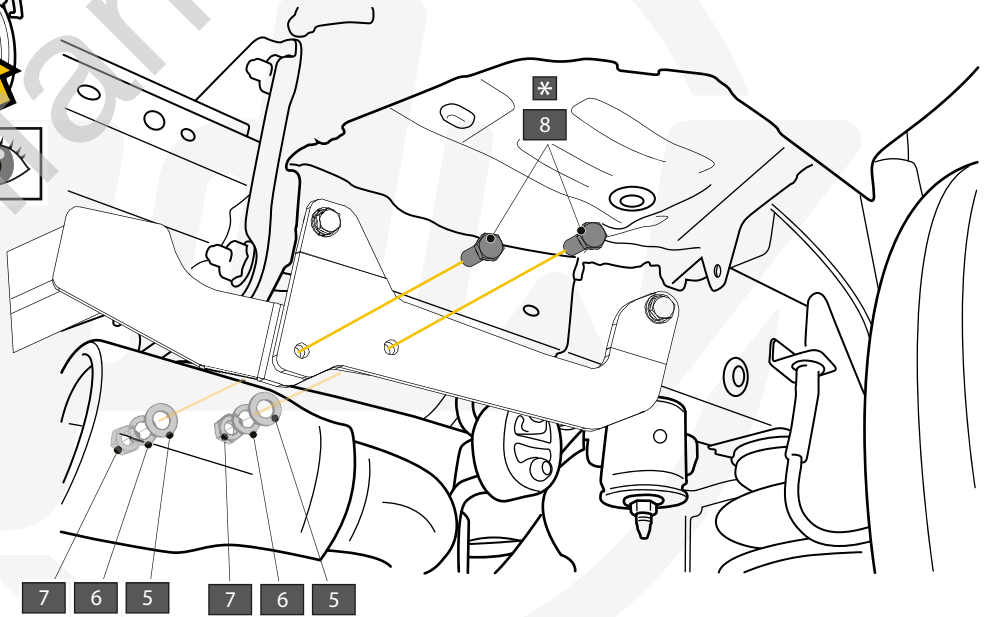


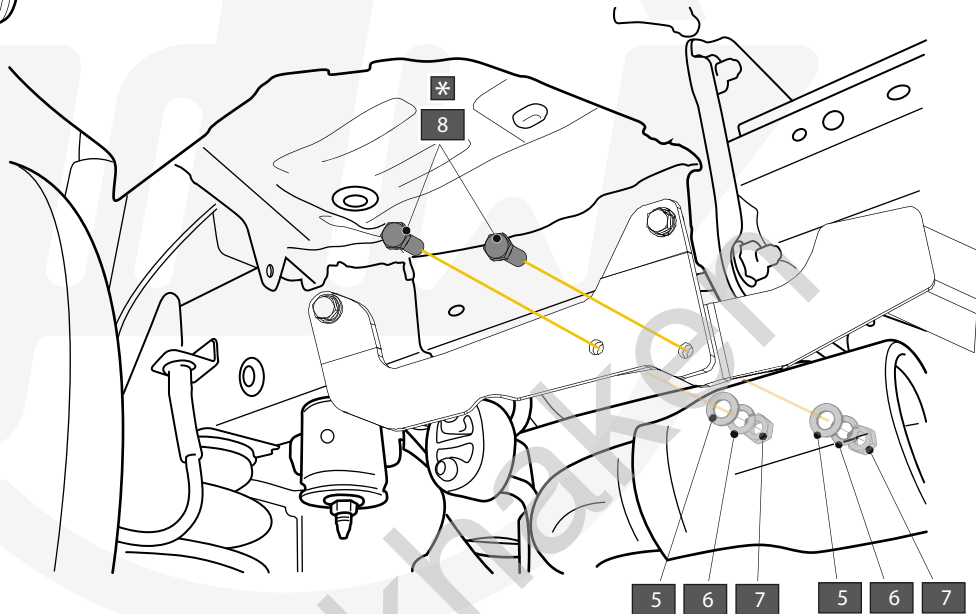
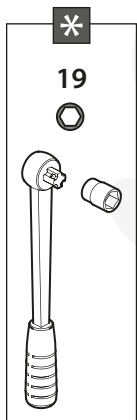
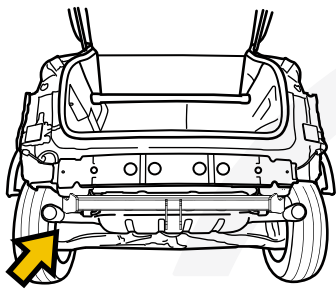
101,0 Nm



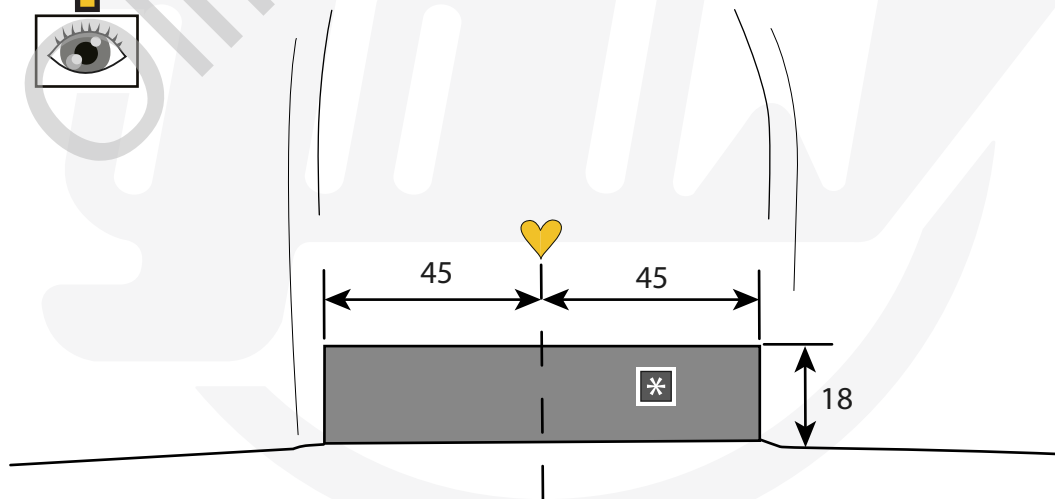
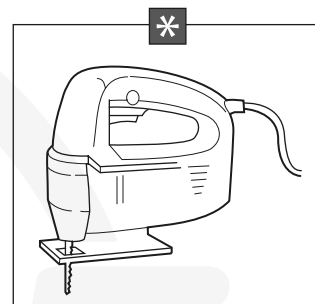
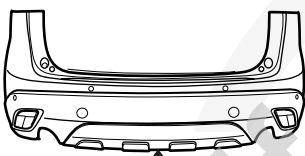


101,0 Nm

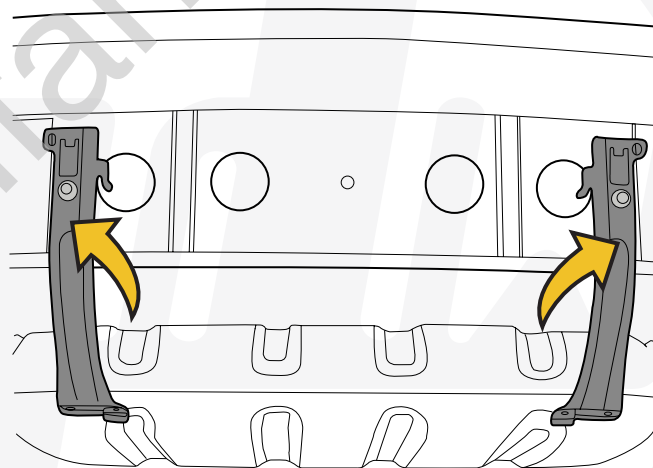
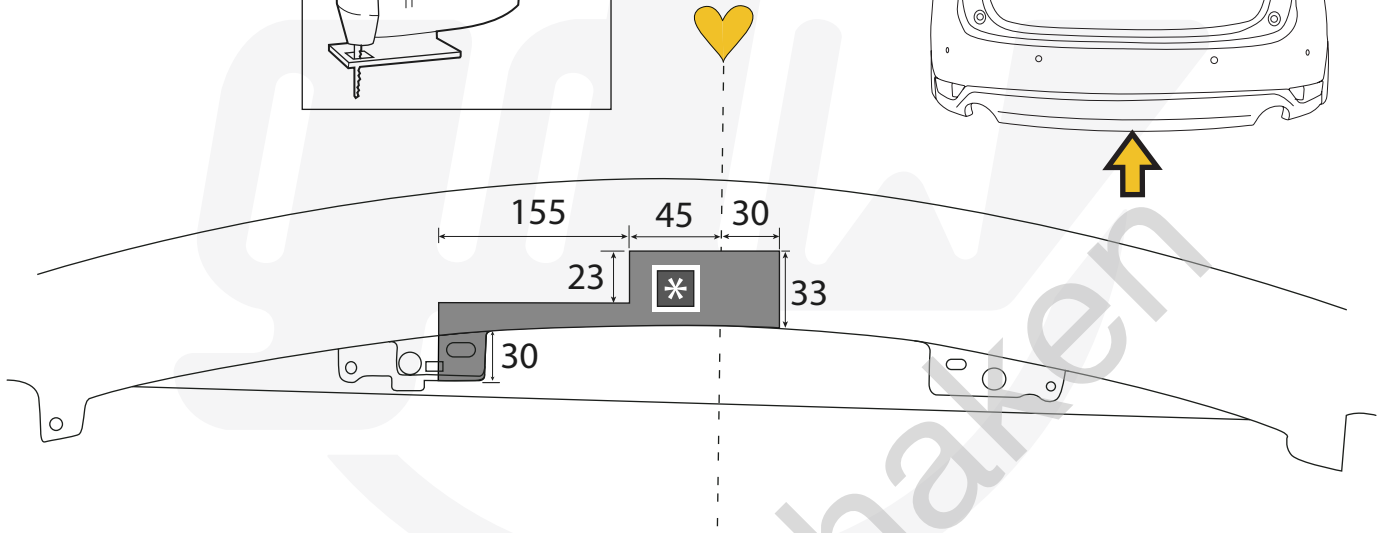
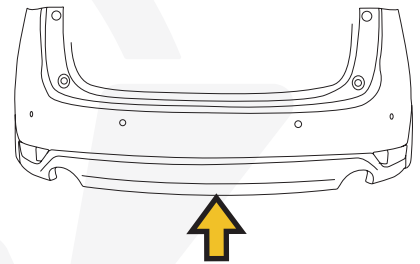
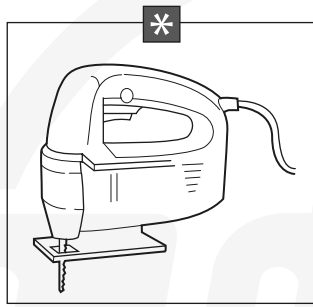


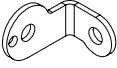




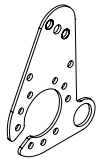
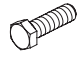


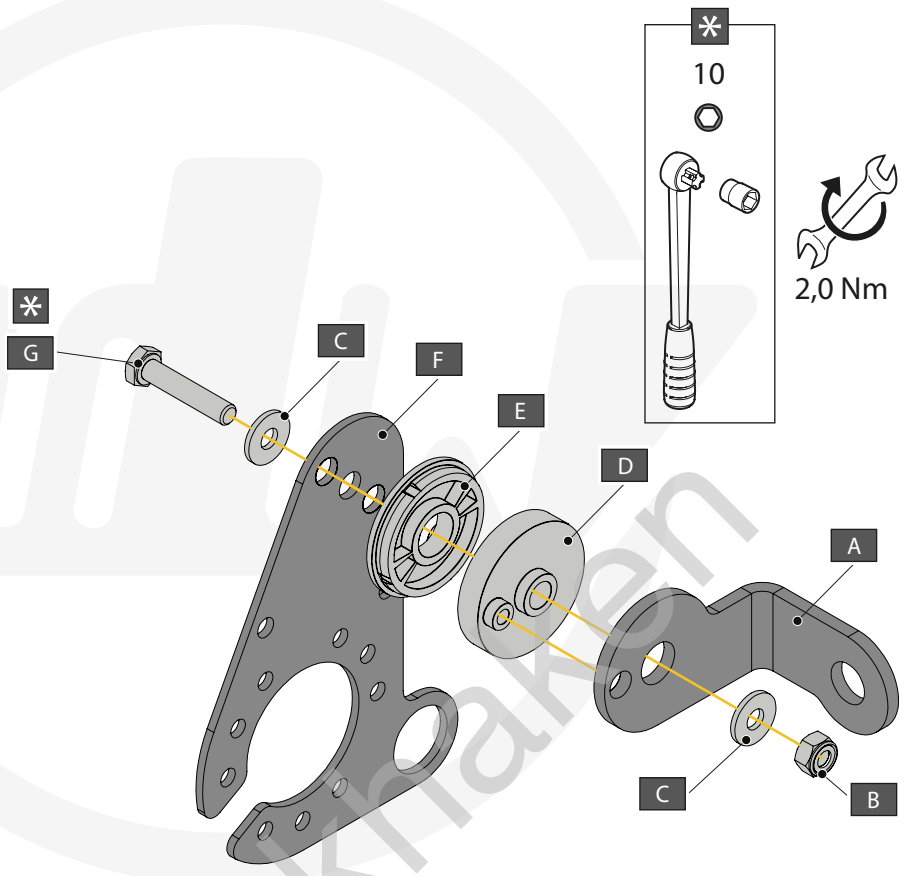
ONLY MODELS '12 - '16

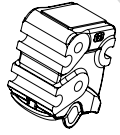
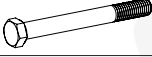


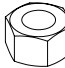


ONLY MODELS '17 -



A		X1	GDW REF. 908.095
B		X1	DIN985-M6
C		X2	6,2 X 15,4 X 1,6 (NYLON)
D		X1	GDW REF. 718.16.002
E		X1	GDW REF. 718.16.003
F		X1	GDW REF. 908.094
G		X1	DIN933-M6 X 30



A		X1	912.003
B		X3	DIN931-M12X110
C		X6	DIN125A-M12
D		X3	DIN128A-M12
E		X3	DIN934-M12

