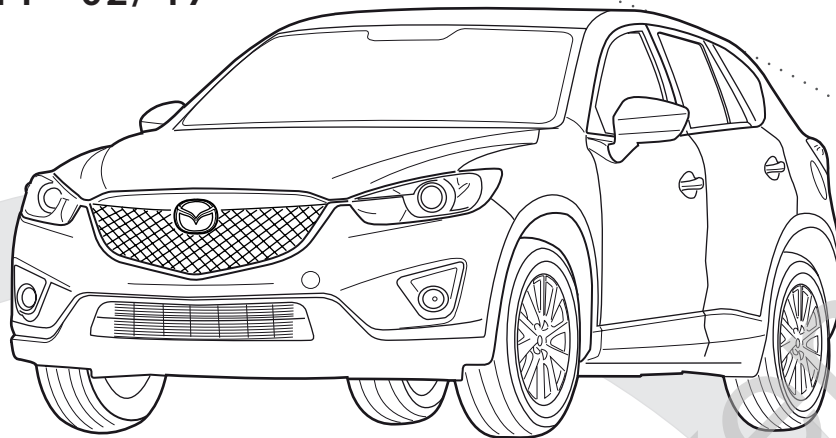




TREKHAKEN • ATTELAGES • ANHÄNGERVORRICHTUNGEN • TOWBARS • ENHANCES • ANHÆNGERTRÆK
Montagehandleiding | instructions de montage | Einbauanleitung | Mounting instruction
Instrucciones de montaje | monteringsvejledning

Mazda CX5 (type KE, GH)

11/'11 - 02/'17



Mazda CX5 (type KF) + Facelift

03/'17 -

09/'21 -

✓ STANDARD

✓ AD BLUE

✓ NEWGRAND

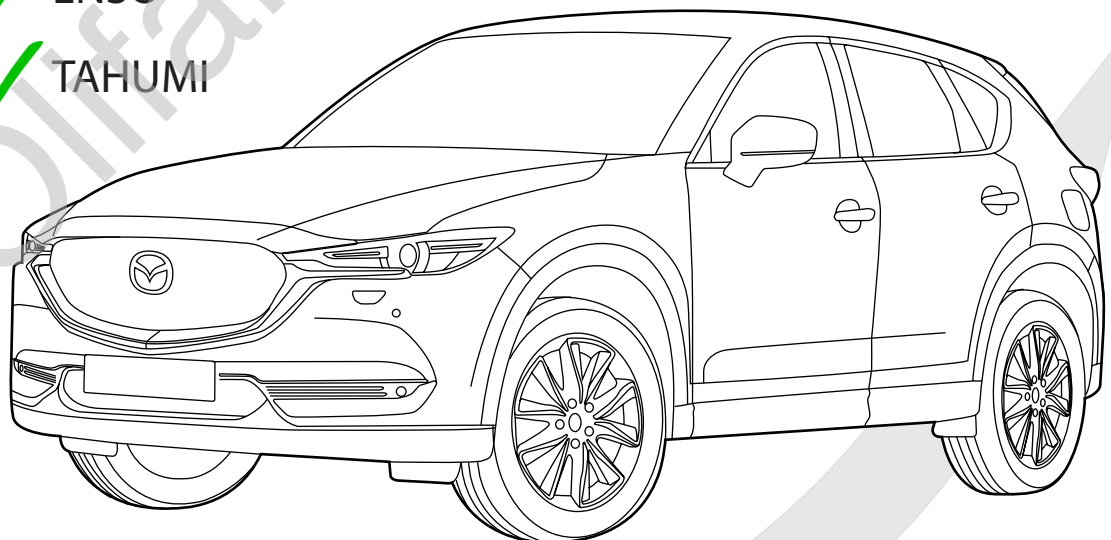
✓ HUMURA

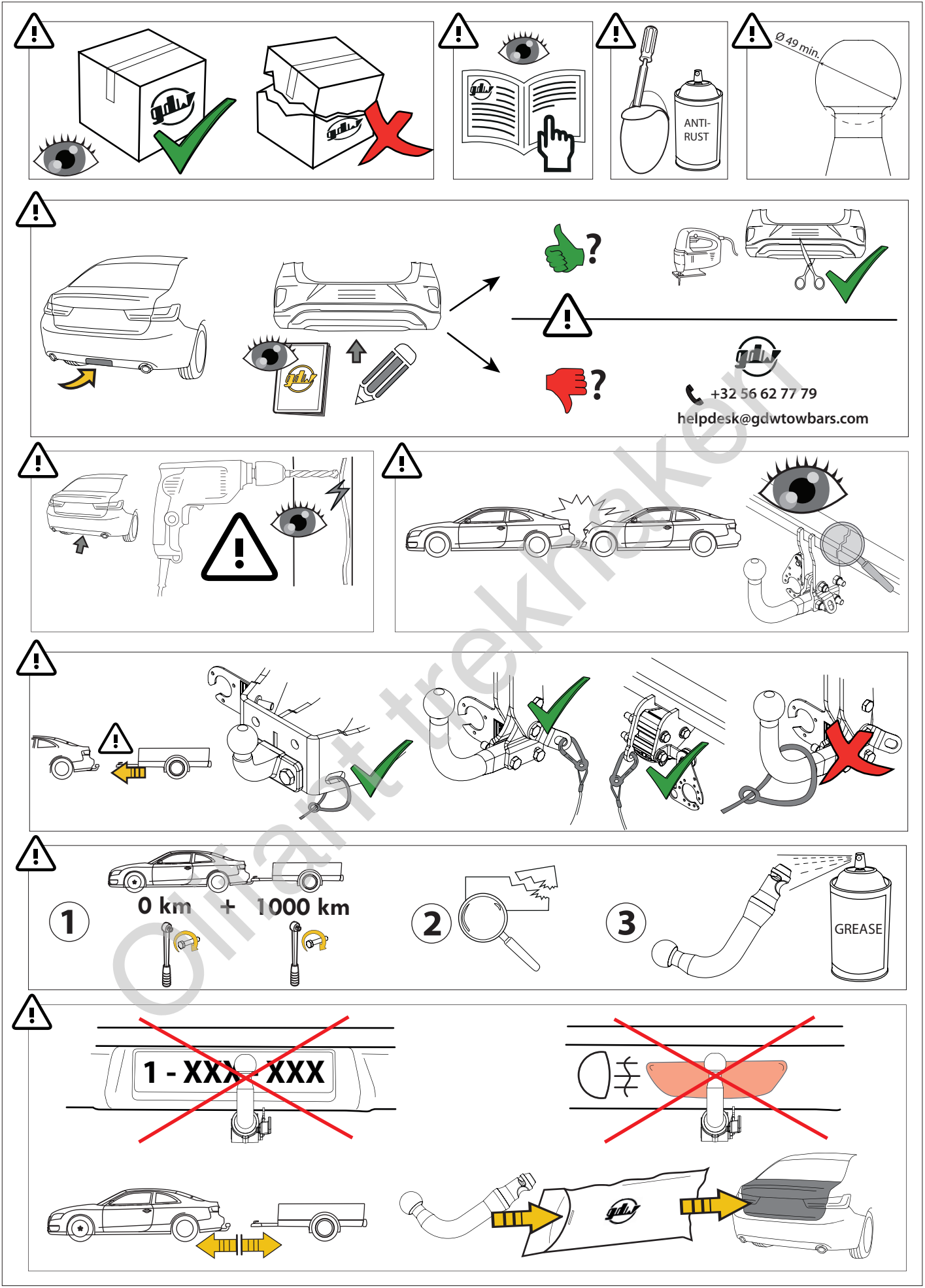
✓ ENSO


✓ TAHUMI

✓ STANDARD

✓ KICK SENSOR







MADE BY  **D 10,80** **F** **E6**

BELGIUM **S 110** EC-N° 55R-01 1529

REF N° 2373 SERIAL N° XXXX

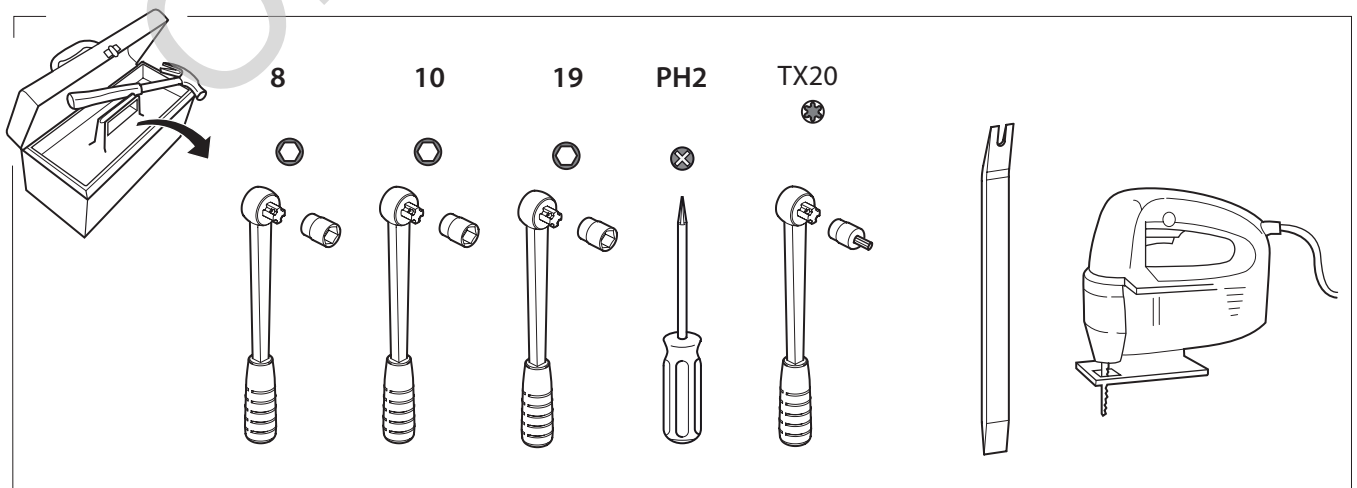
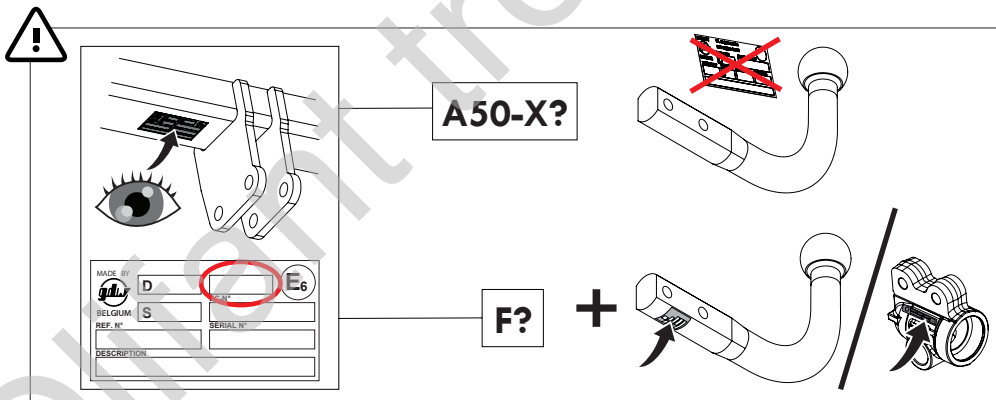
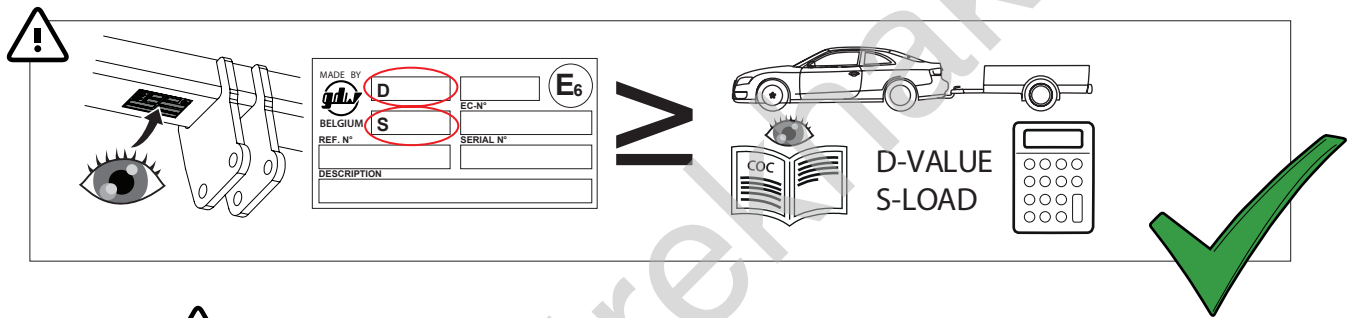
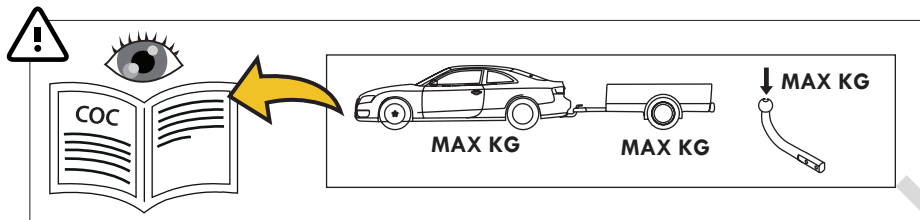
DESCRIPTION
Mazda CS5 '11-

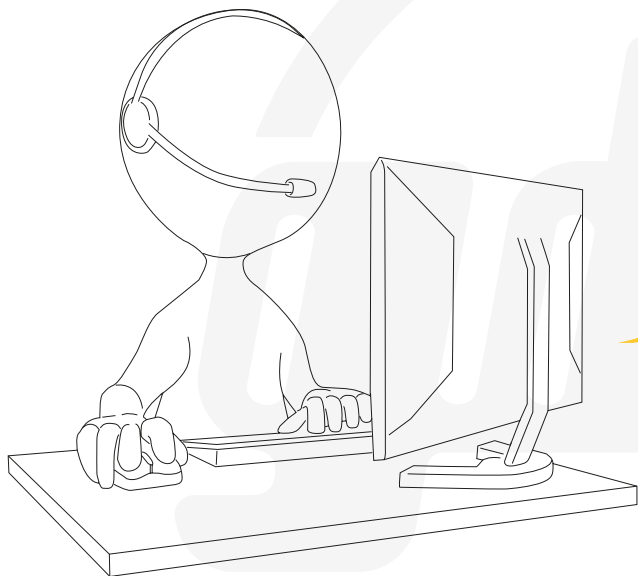
 

$$D = \frac{\text{max kg (car)} \times \text{max kg (trailer)}}{\text{max kg (car)} + \text{max kg (trailer)}} \times 0.00981 \leq 10,80 \text{ kN}$$

$$S = \begin{cases} \leq 110 \text{ kg} \\ \leq 2150 \text{ kg} \end{cases}$$

See the Certificate Of Conformity (COC) of your vehicle or contact your dealer to verify the max. trailer weight of your car!

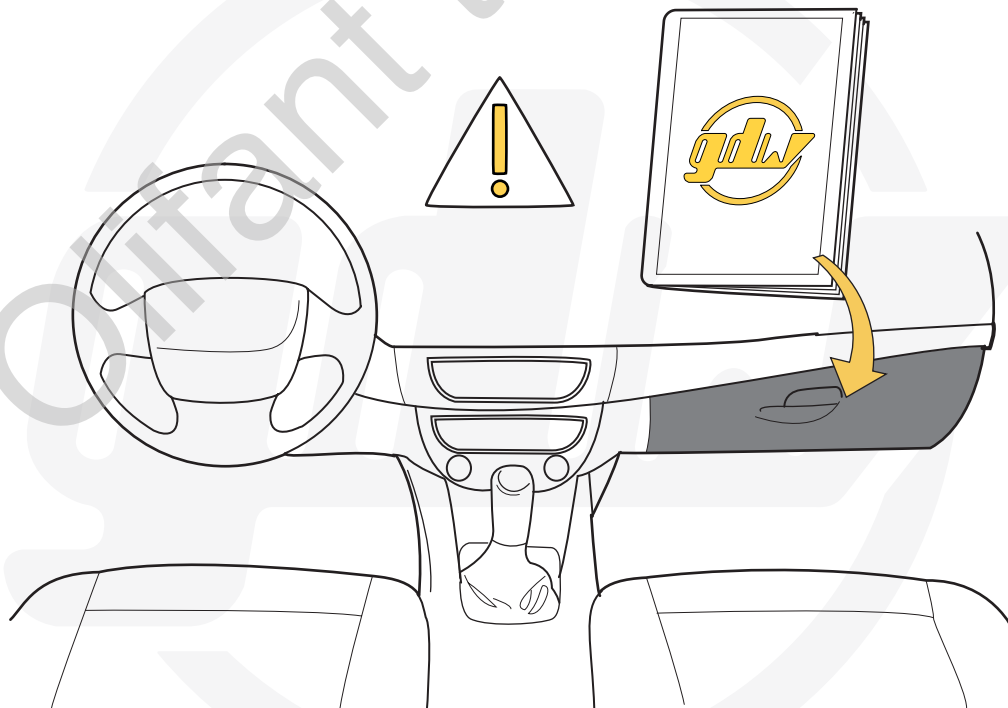


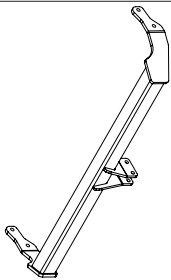
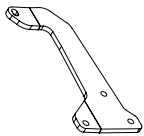
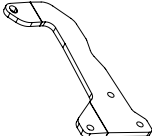

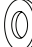






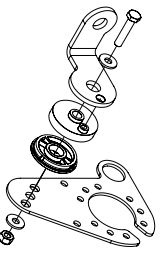



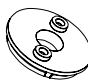
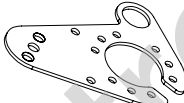


helpdesk@gdwtowbars.com

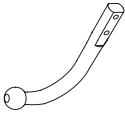
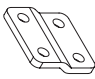



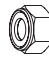
+32 56 62 77 79

Monday	08:00 - 12:00	12:30 - 16:30
Tuesday	08:00 - 12:00	12:30 - 16:30
Wednesday	08:00 - 12:00	12:30 - 16:30
Thursday	08:00 - 12:00	12:30 - 16:30
Friday	08:00 - 12:00	12:30 - 15:30



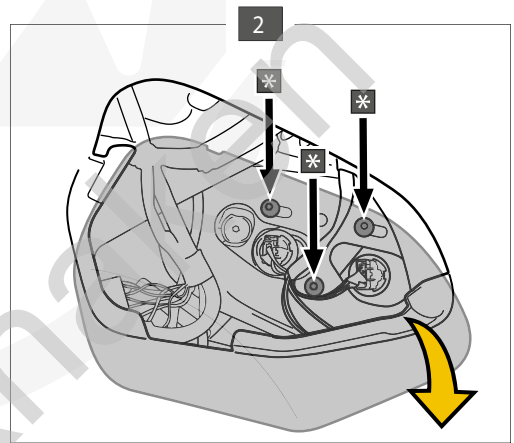
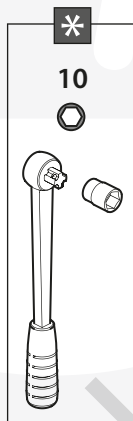
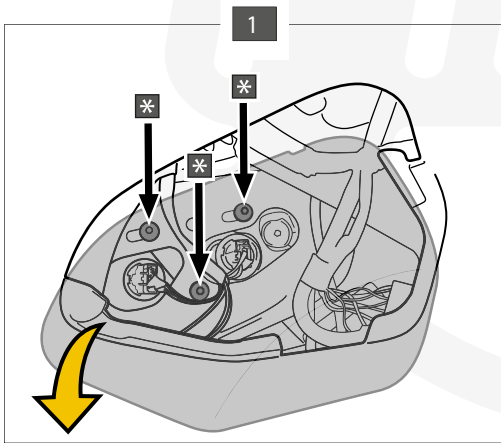
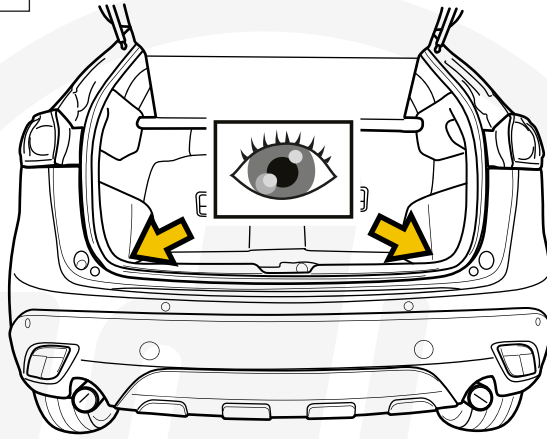
1		X1	GDW REF. 2373
2		X1	GDW REF. 2
3		X1	GDW REF. 3
4		X2	GDW REF. 4
5		X8	DIN125-A12-140HV-ELVZ
6		X8	DIN128A-M12
7		X4	DIN934-M12 X 1,25
8		X8	DIN933-M12X40 X 1,25
-V		X1	GDW REF. 908.095

-P		X1	GDW REF. P39
L		X1	DIN985-M6
L		X2	6,2 X 15,4 X 1,6 (NYLON)
L		X1	GDW REF. 718.16.002
L		X1	GDW REF. 718.16.003
L		X1	GDW REF. 908.094
L		X1	DIN933-M6 X 30
L		X1	GDW REF. 908.095

Geleverd met - Livré avec - Delivered with Gefiefert mit - Elementos adjuntos-Leveres med		X1	944.H031
		X2	GDW REF. 900.008
		X2	GDW REF. 900.011 Ø 21,3 X 11,7
		X1	GDW REF. 900.053
		X4	DIN931-M12 X 70
		X4	DIN985-M12

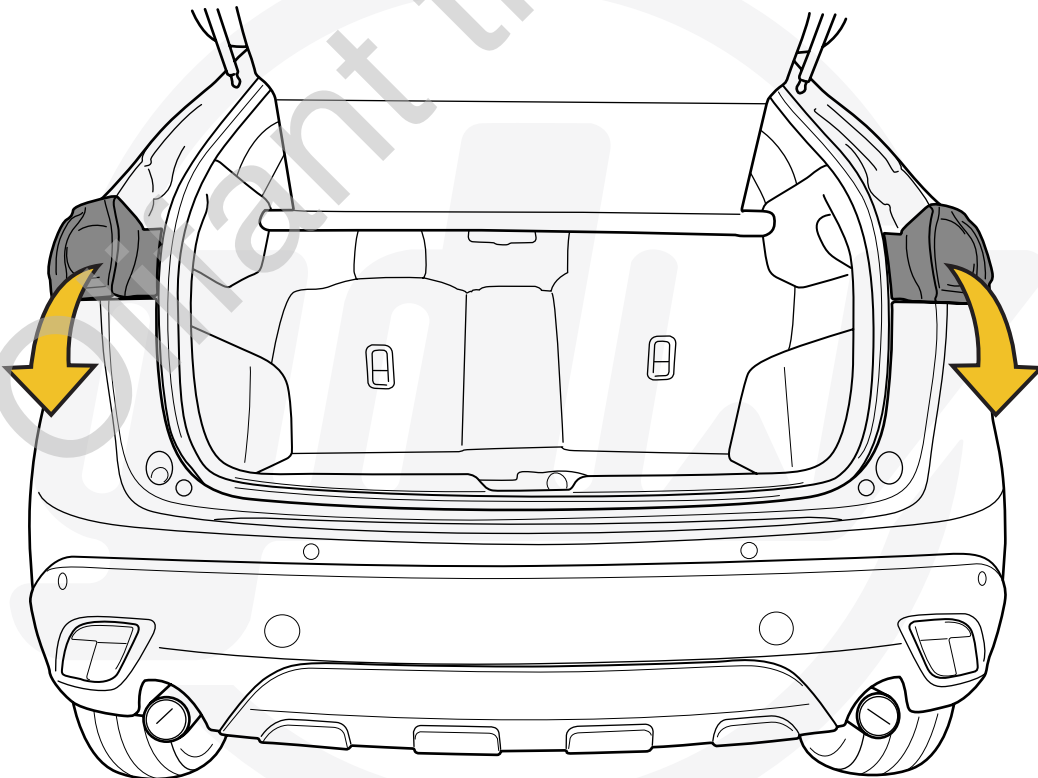
1

ONLY MODELS '12 - '16



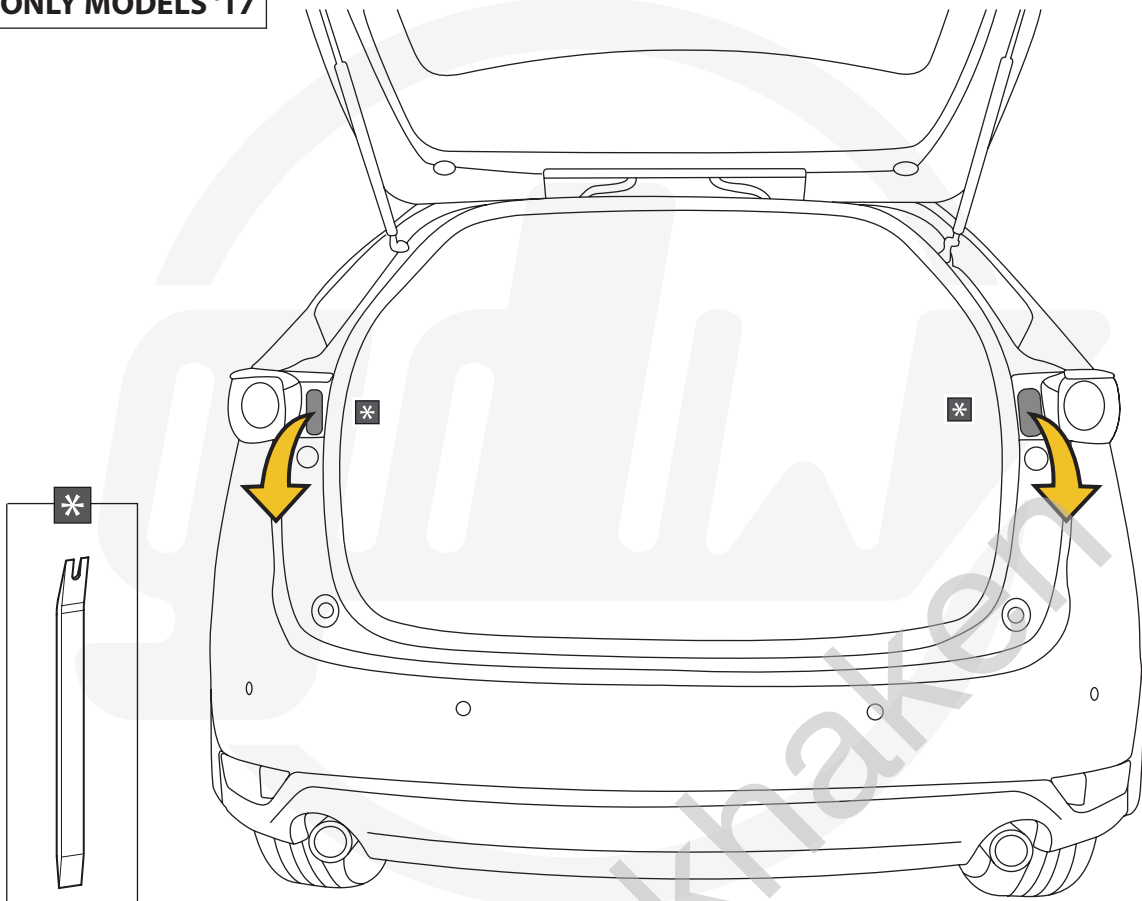
2

ONLY MODELS '12 - '16



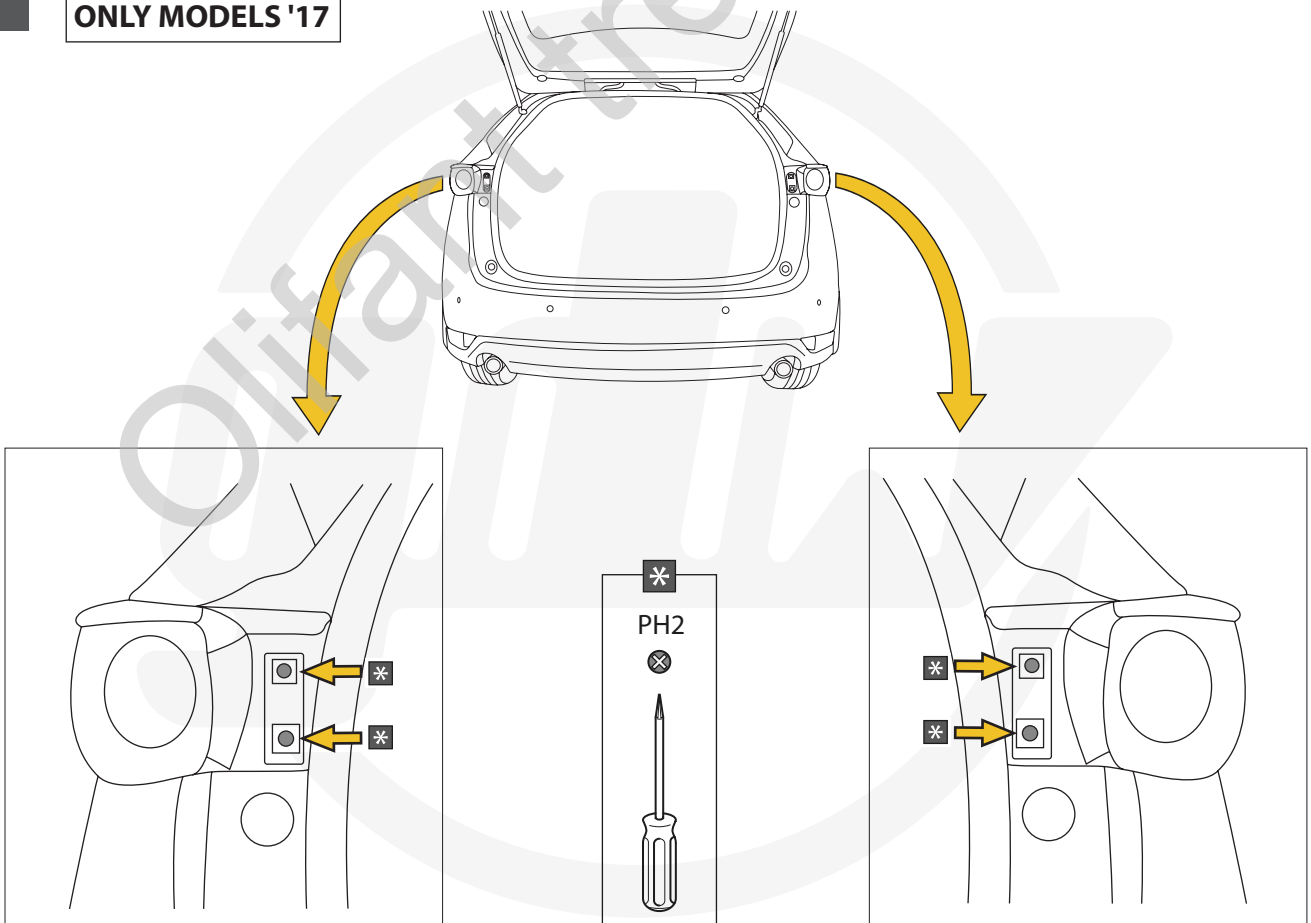
3

ONLY MODELS '17



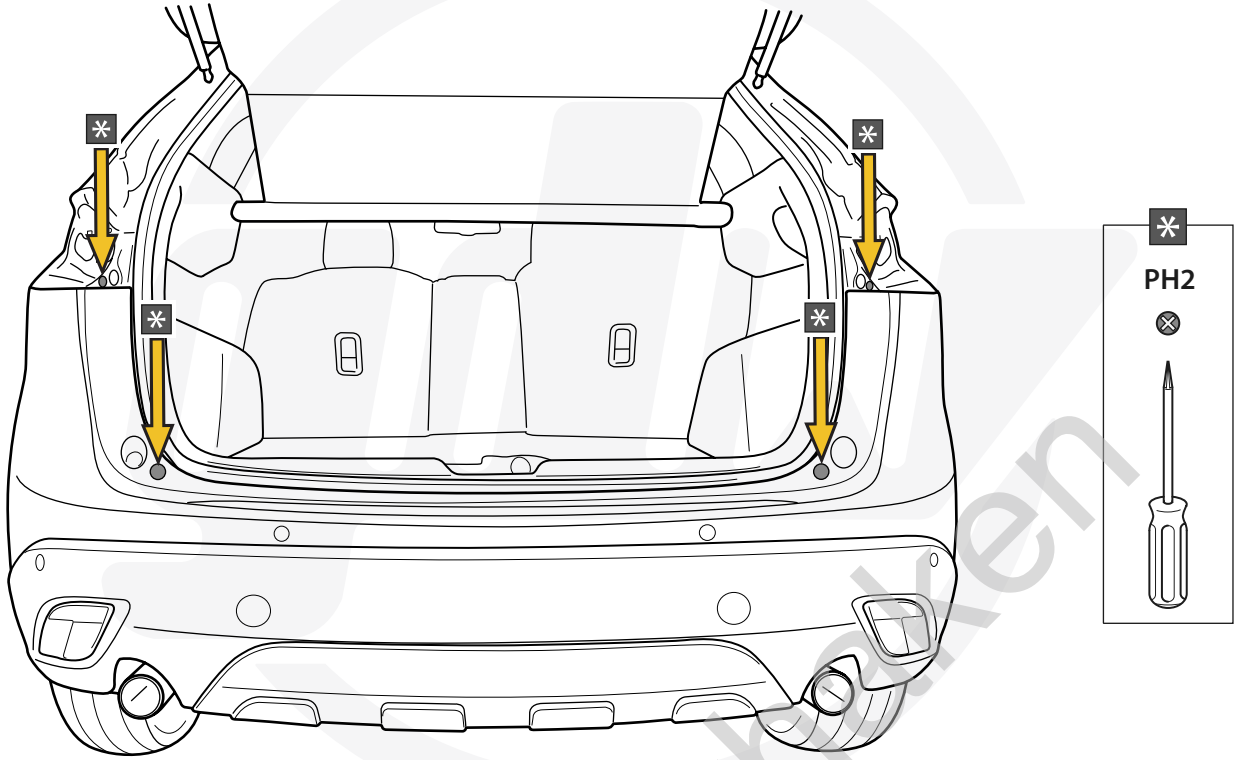
4

ONLY MODELS '17



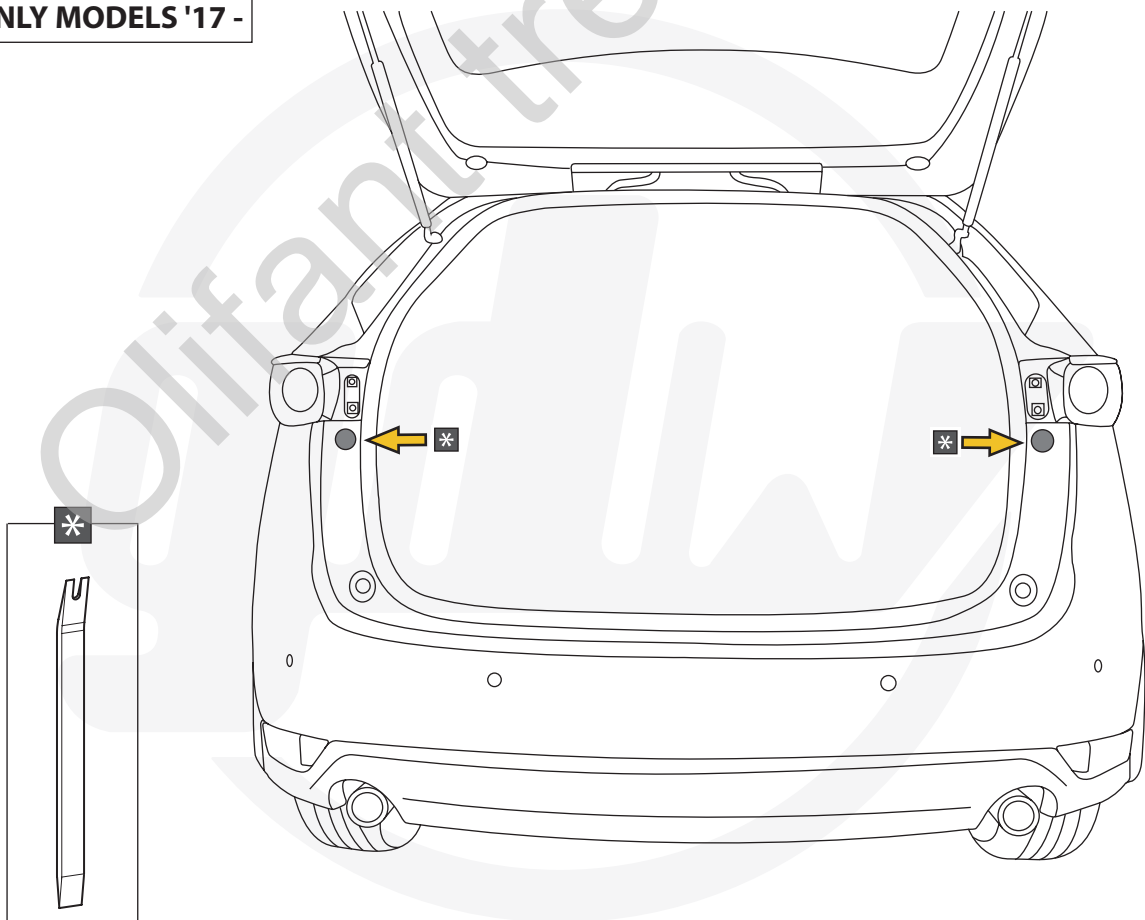
5

ONLY MODELS '12 - '16

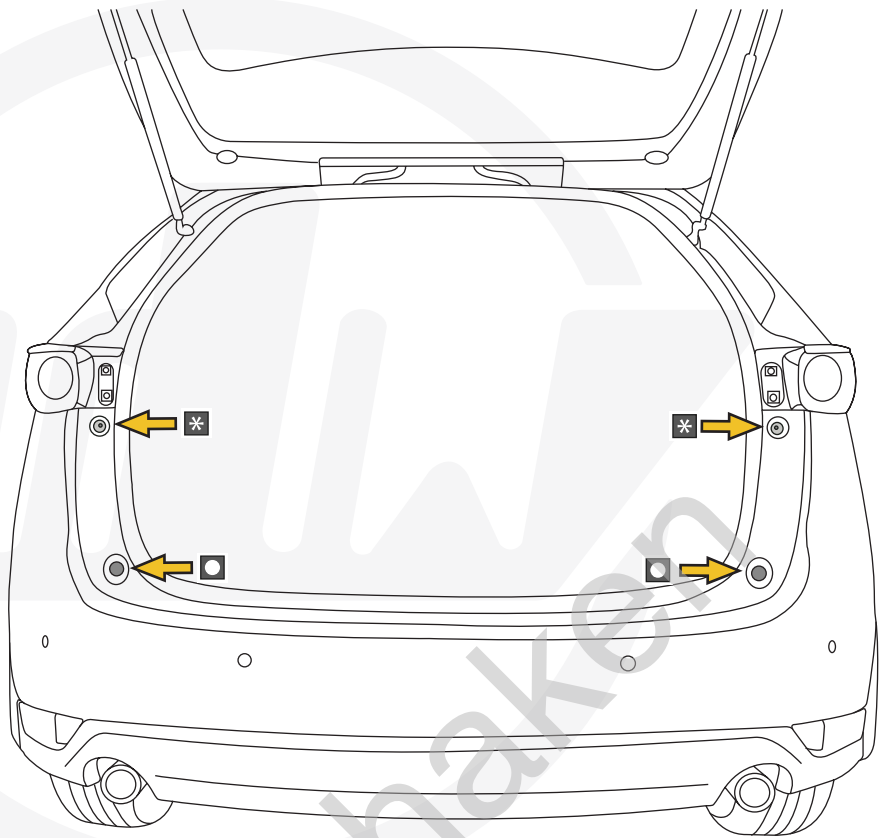
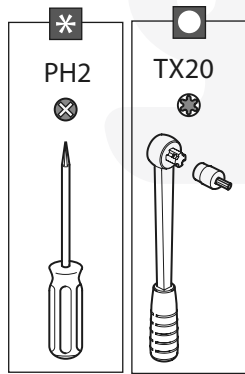


6

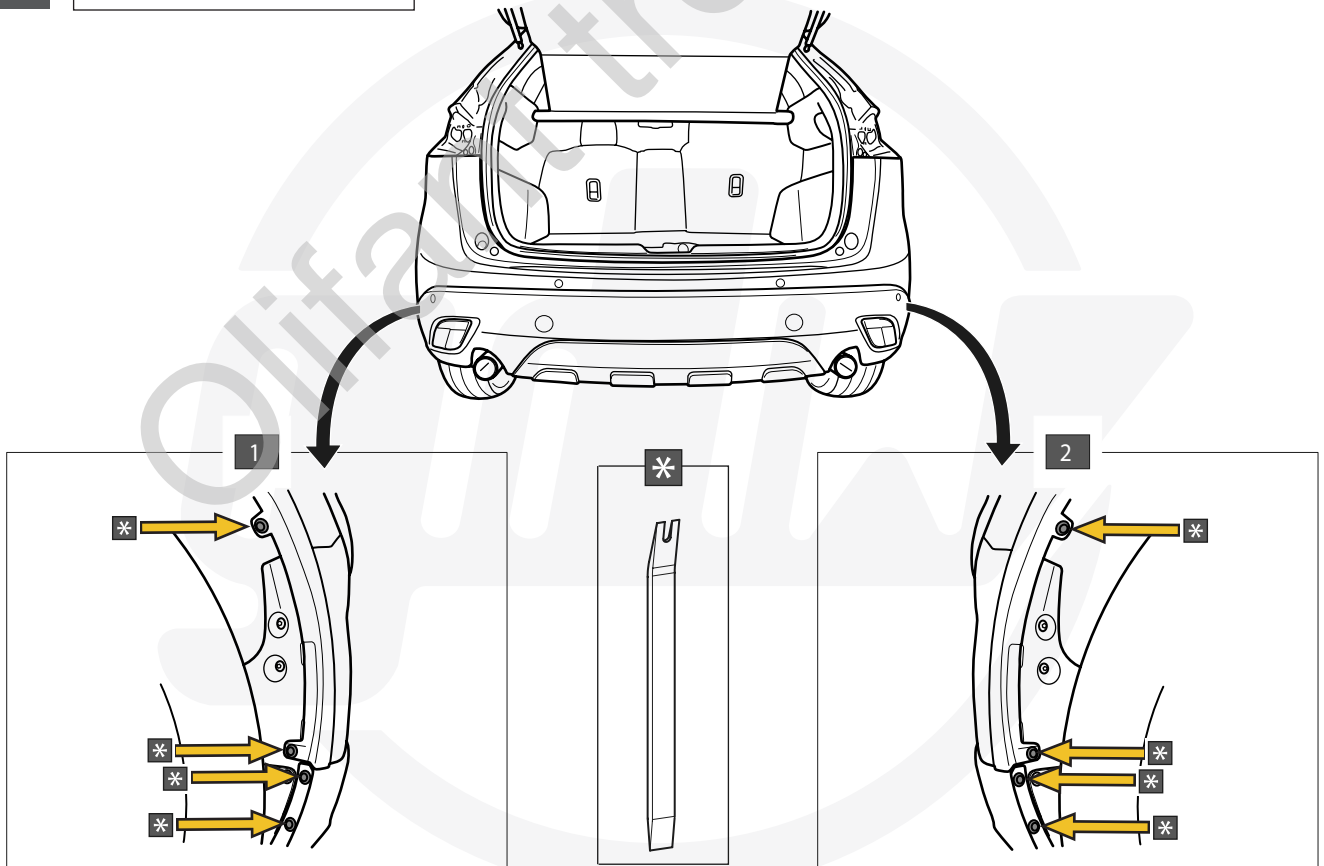
ONLY MODELS '17 -



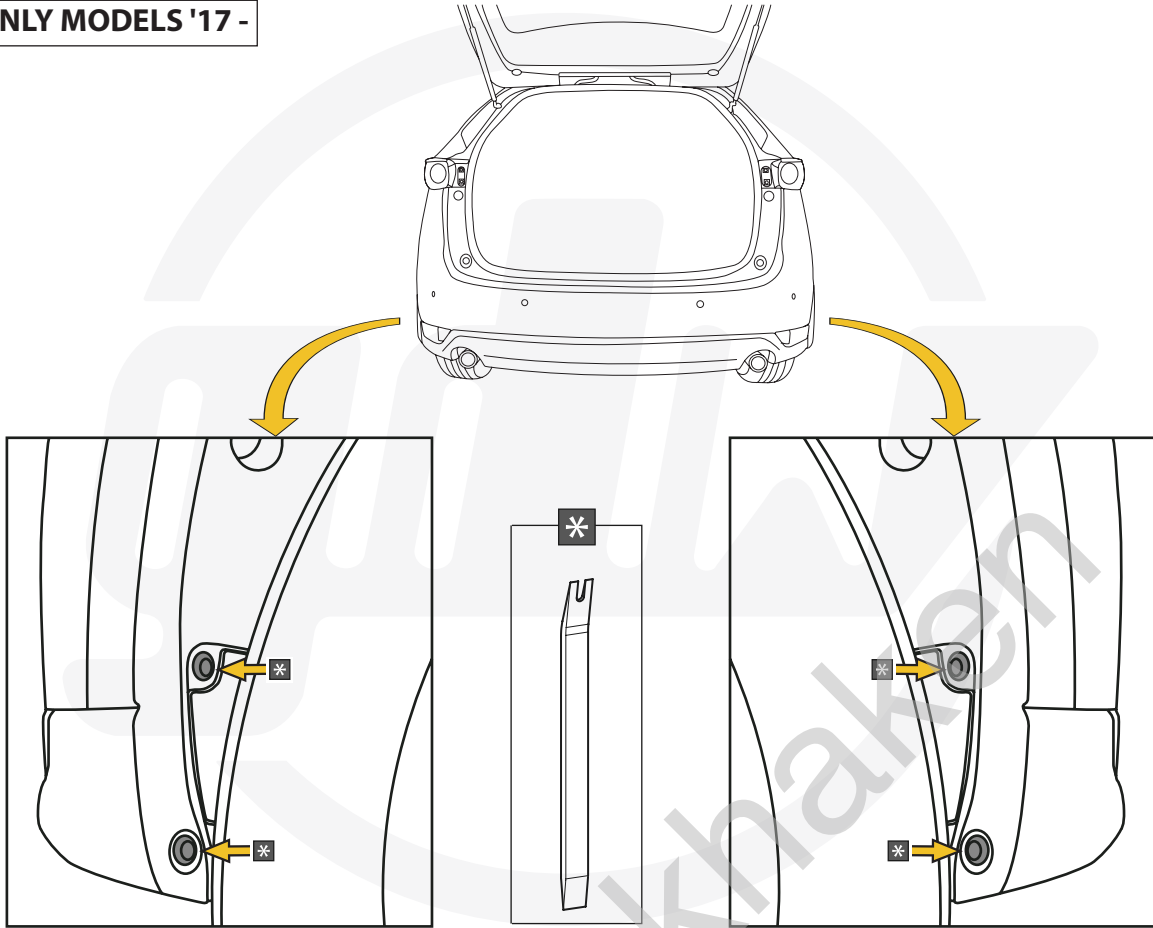
ONLY MODELS '17 -



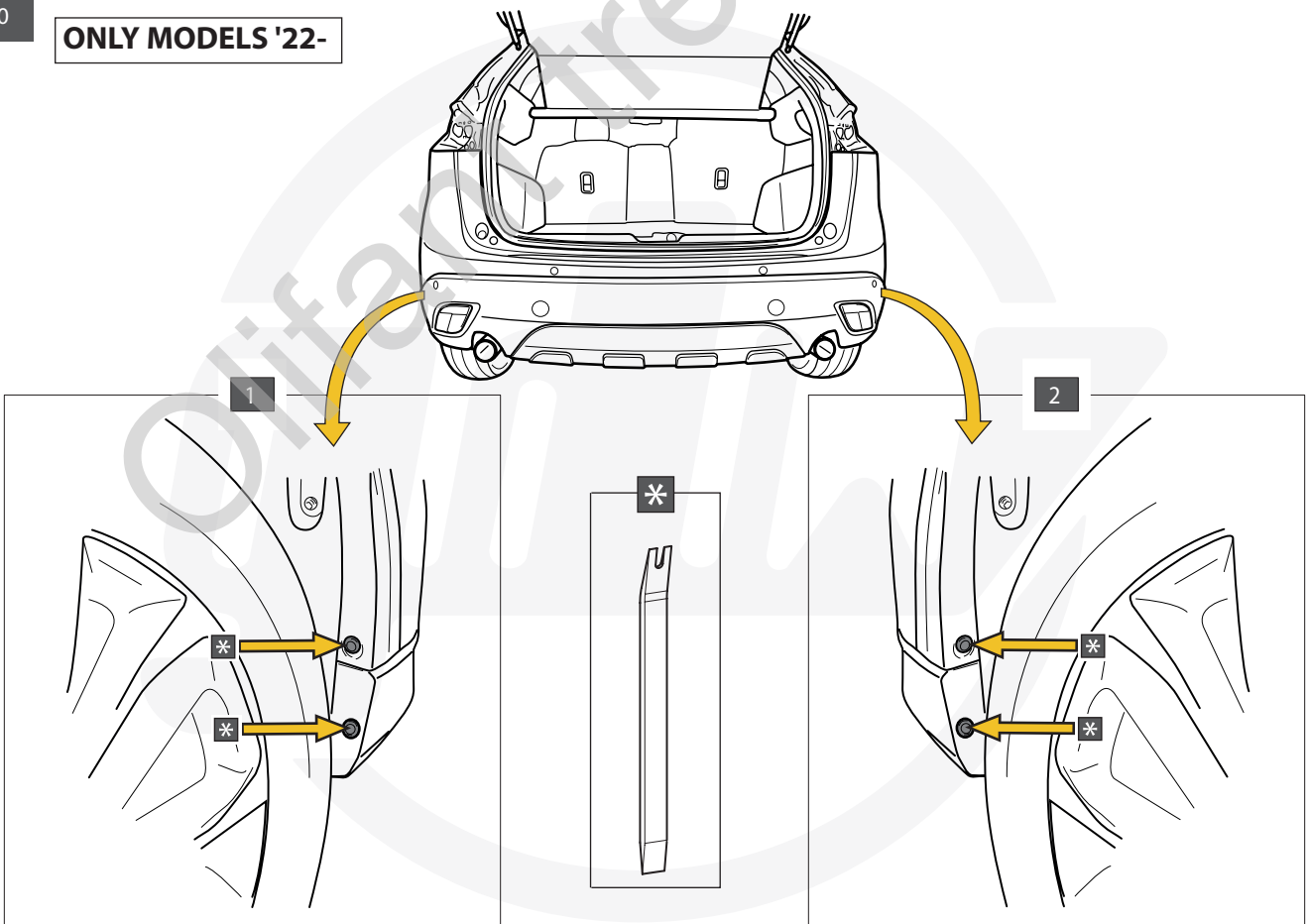
ONLY MODELS '12 - '16



ONLY MODELS '17 -

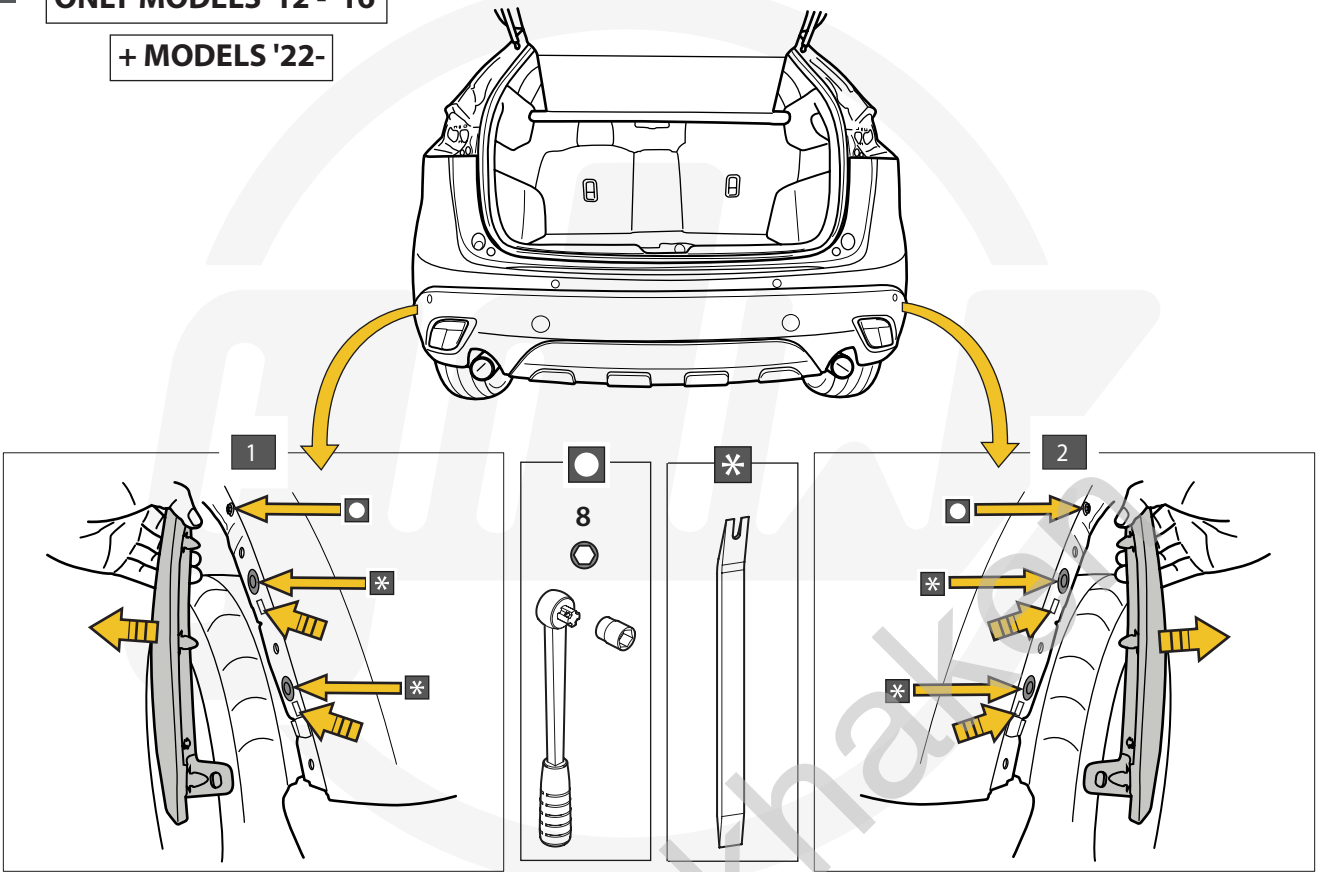


ONLY MODELS '22-

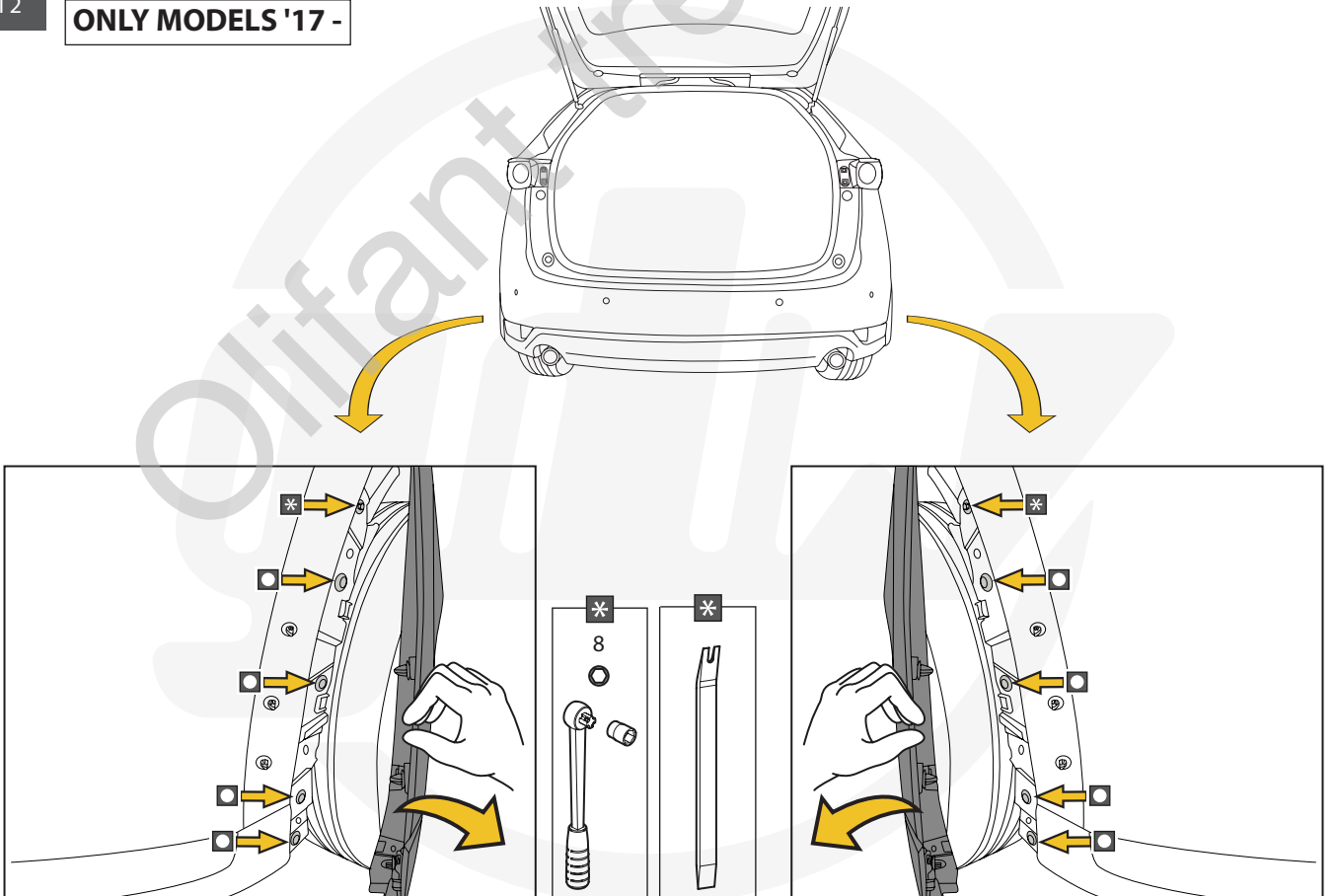


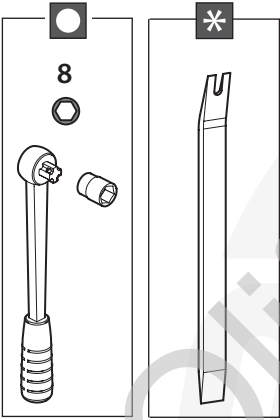
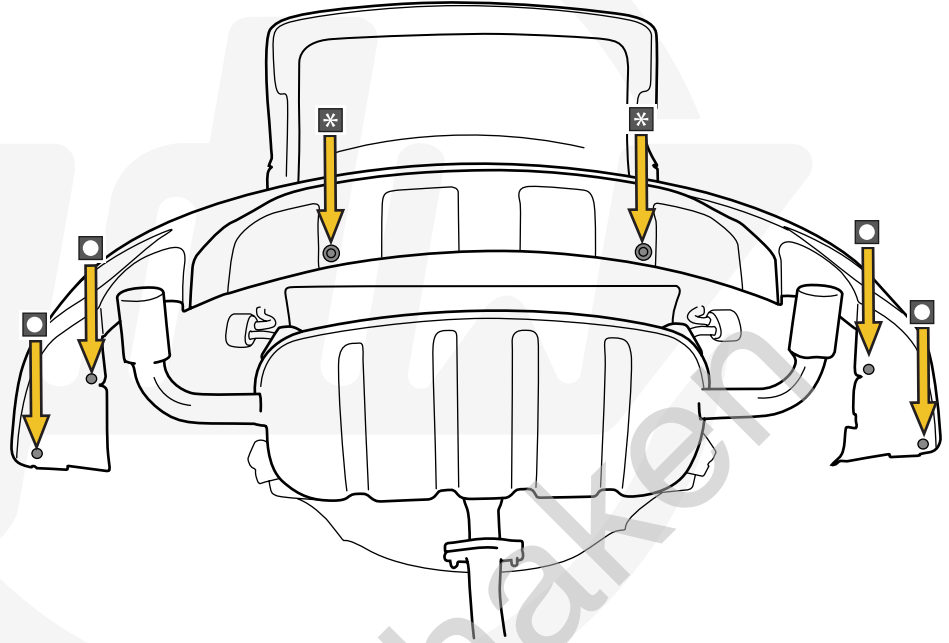
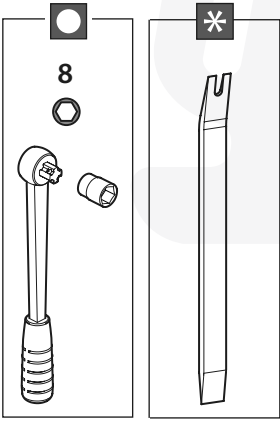
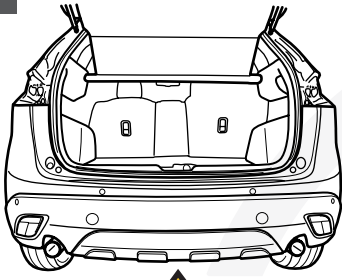
ONLY MODELS '12 - '16

+ MODELS '22-

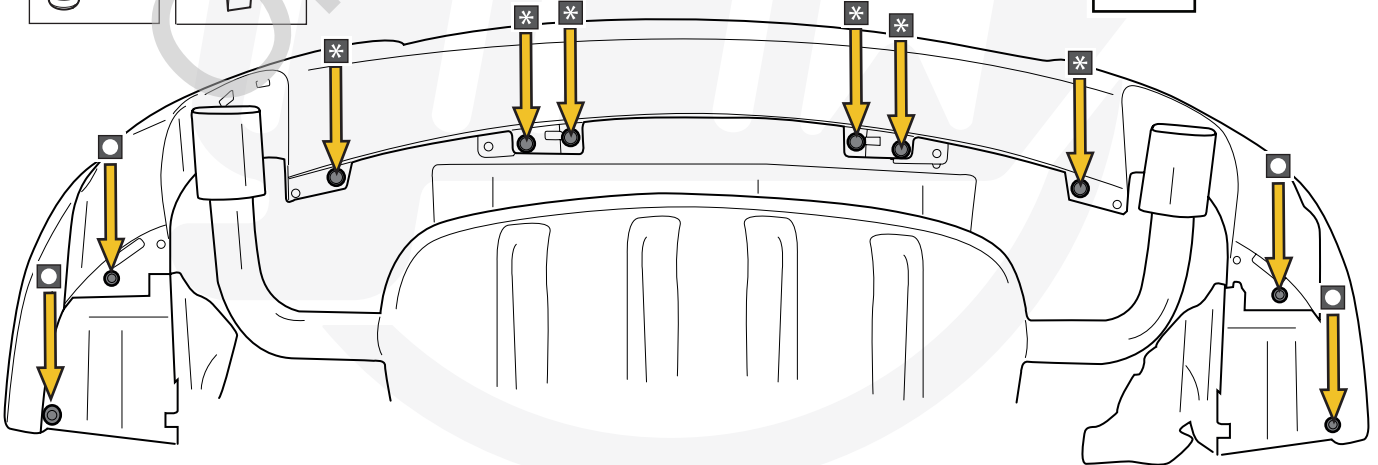
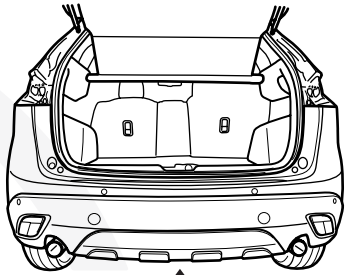


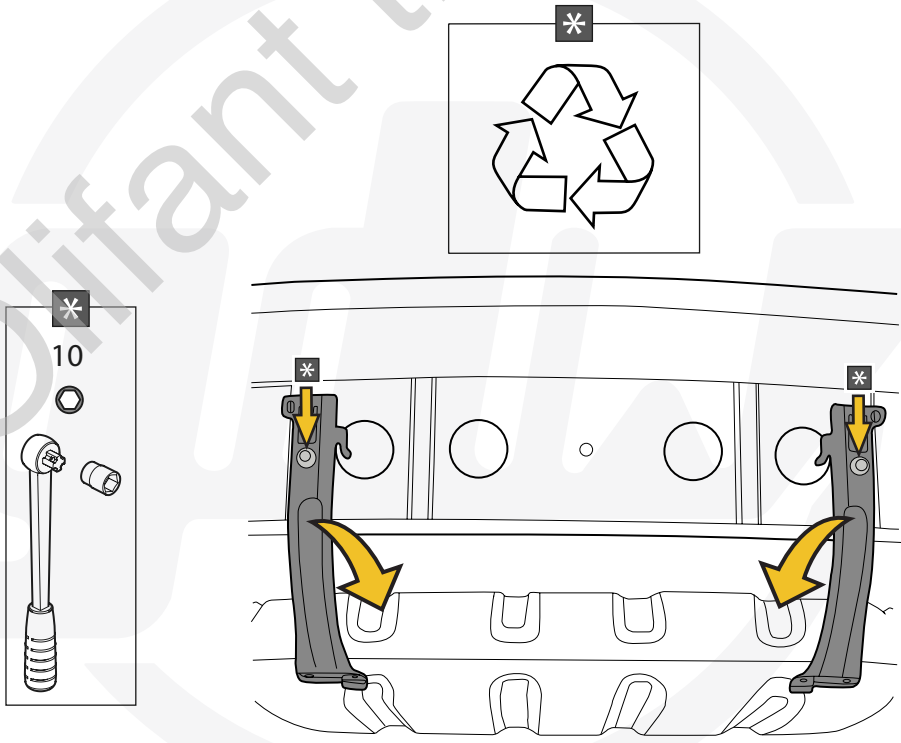
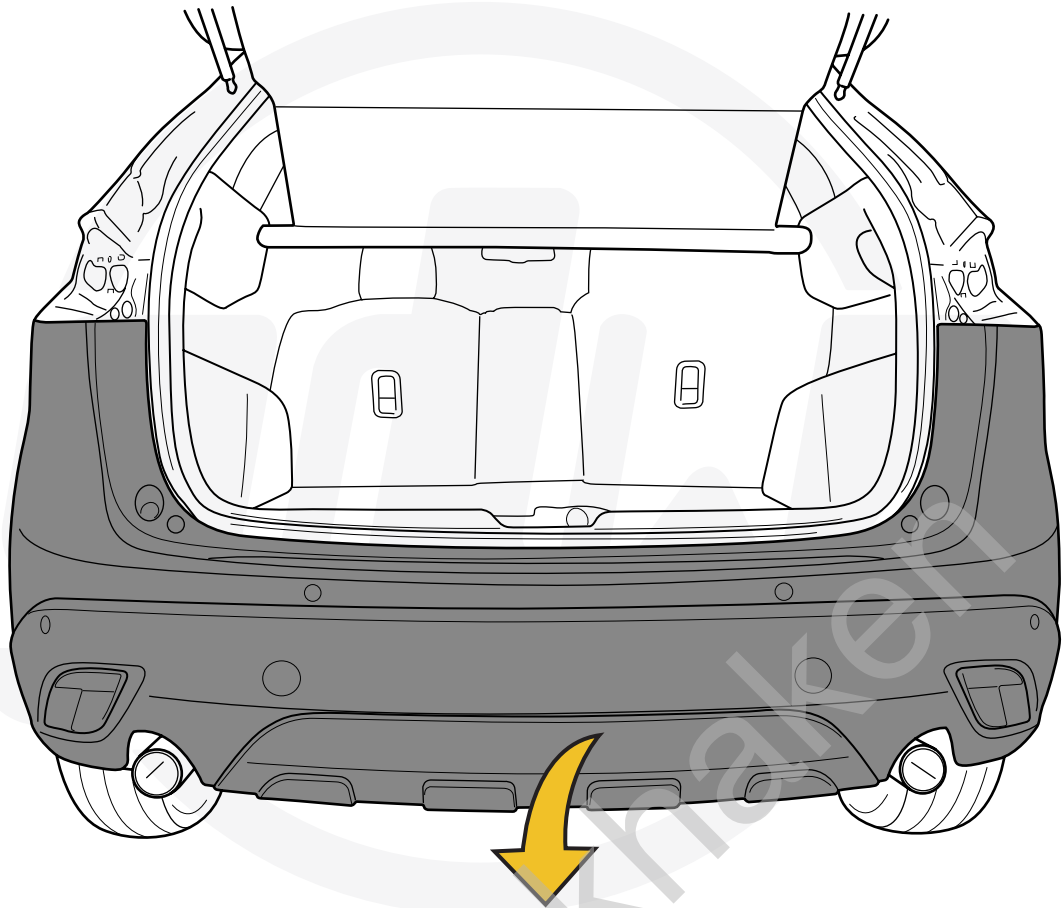
ONLY MODELS '17 -

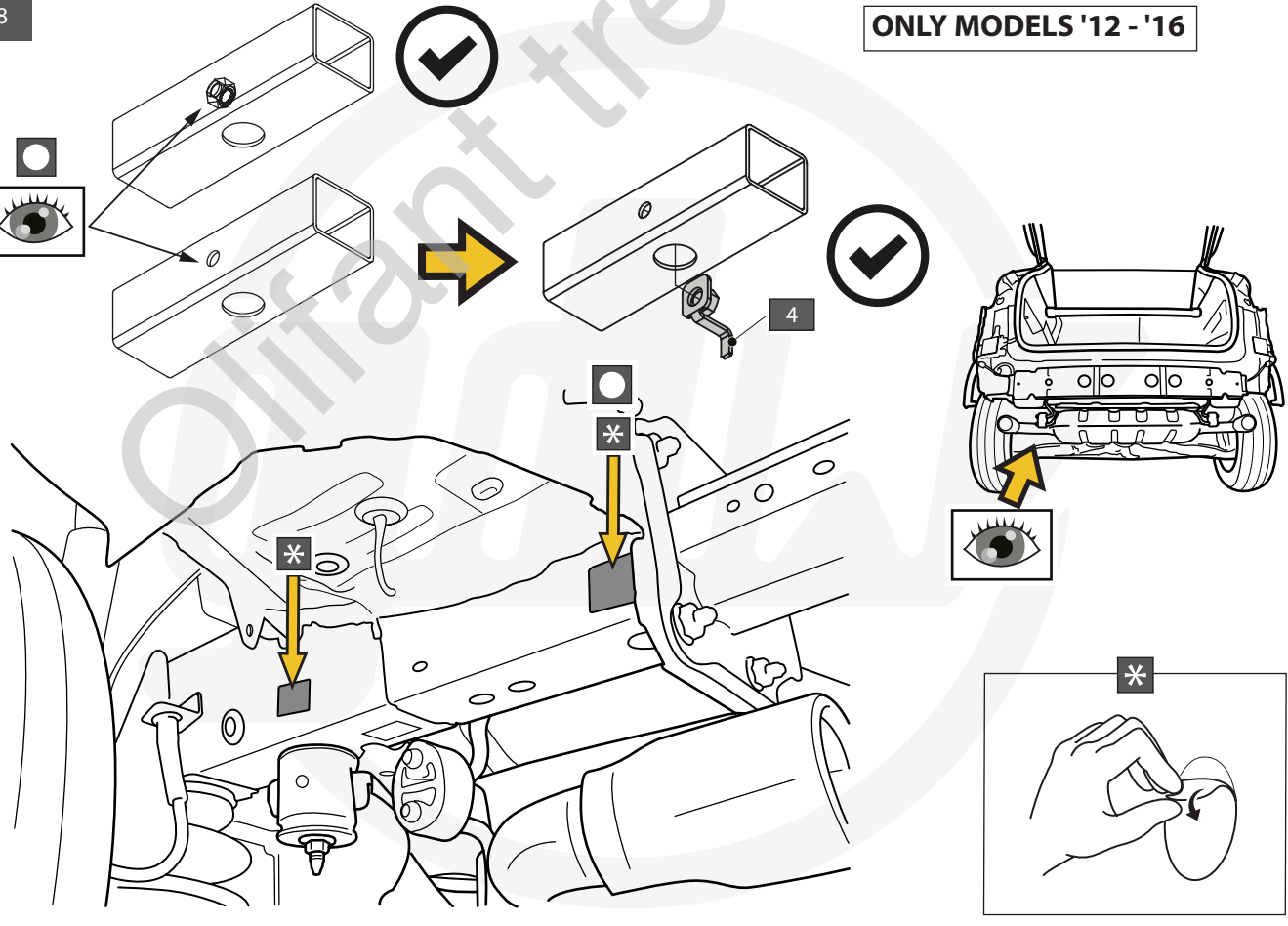
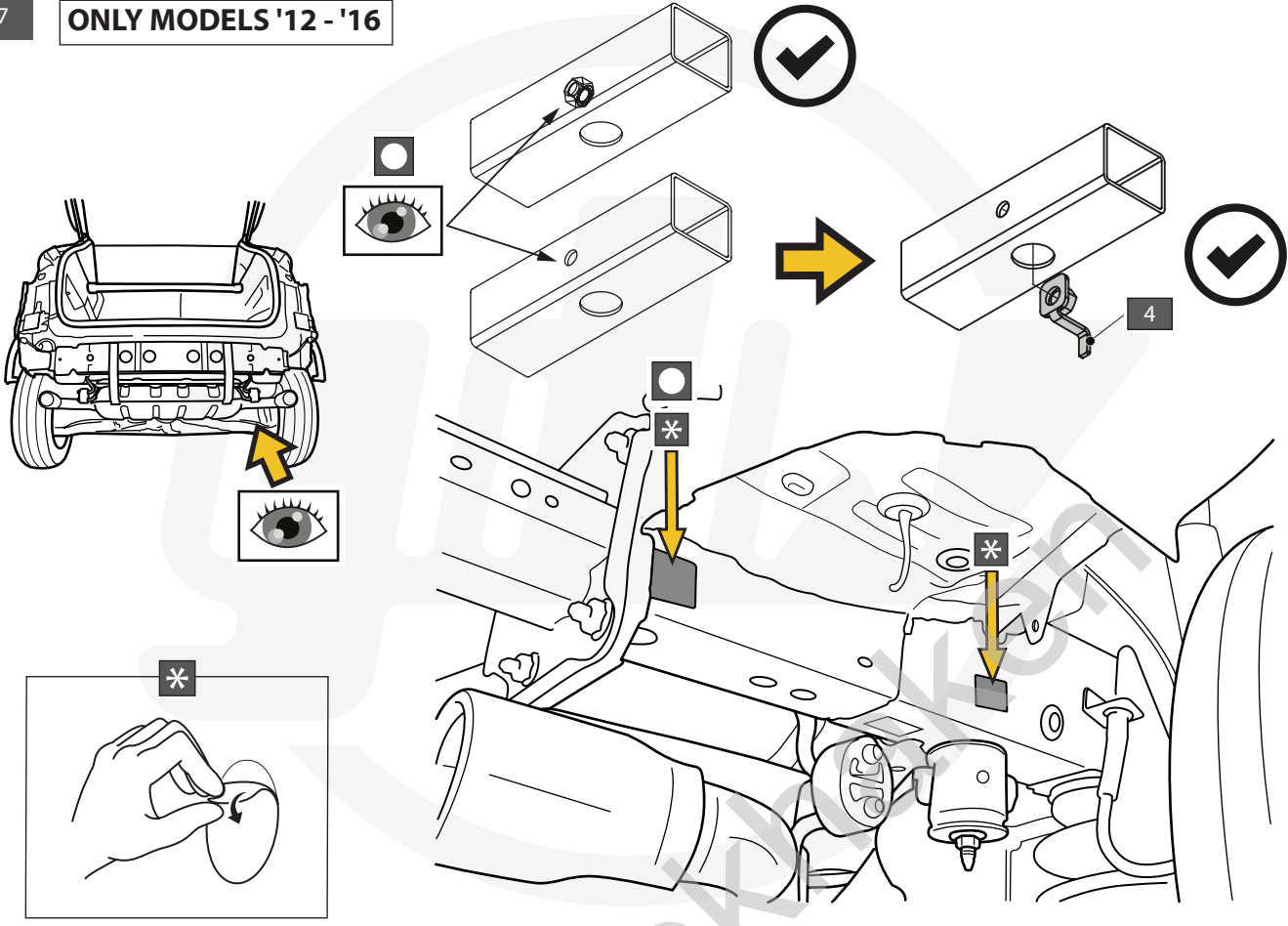




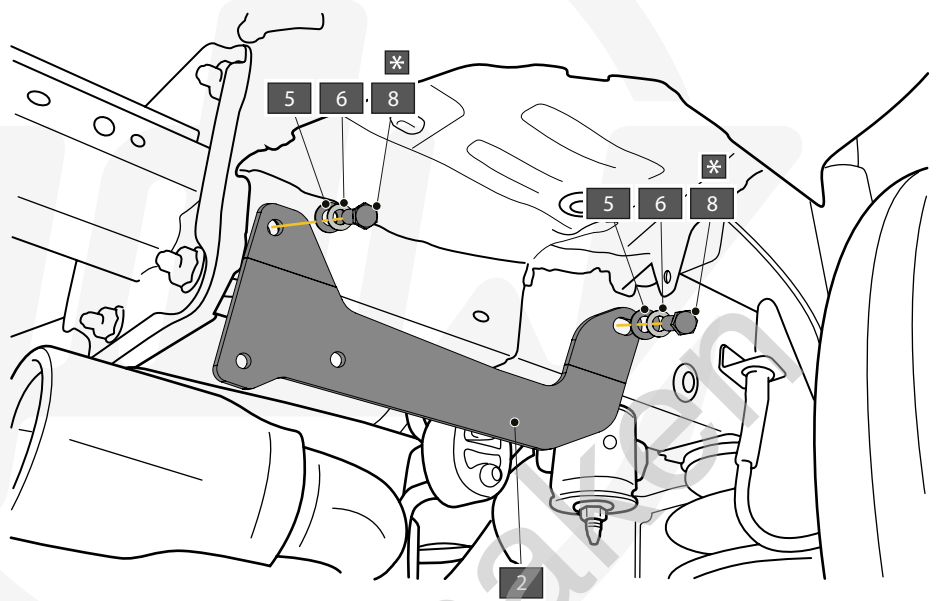
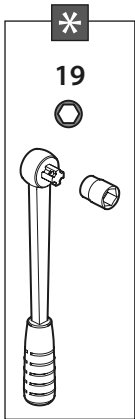
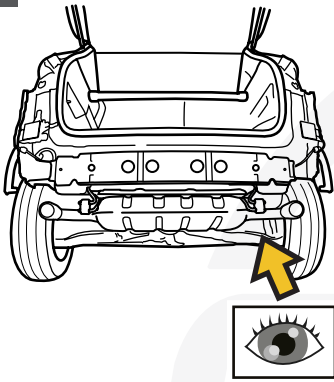
ONLY MODELS '22-



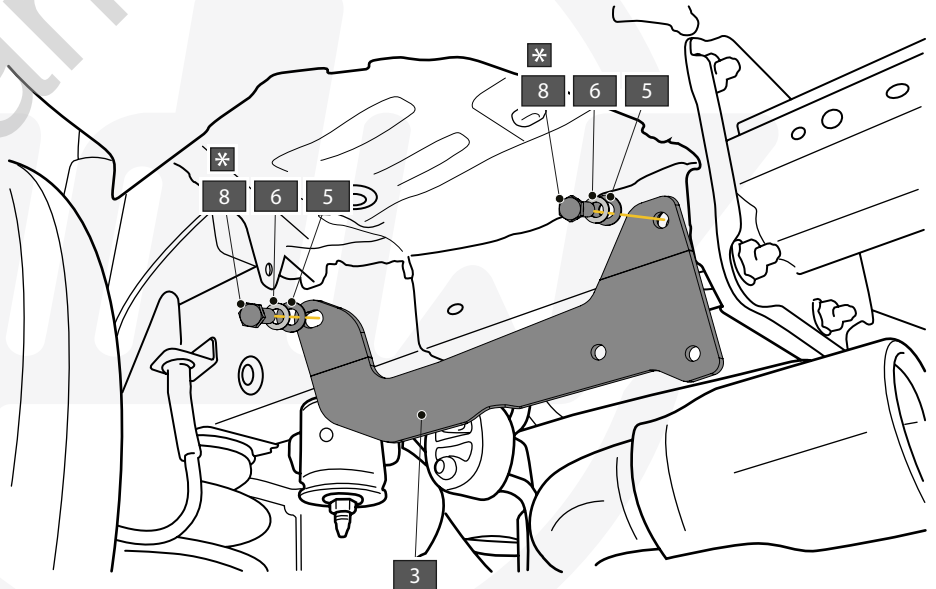
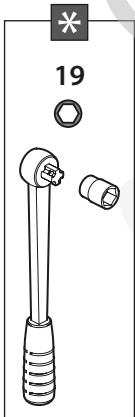
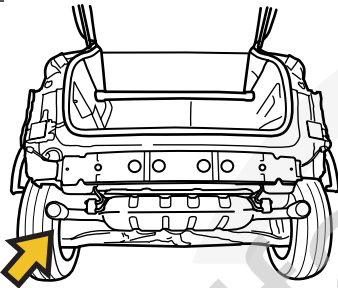


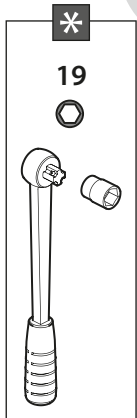
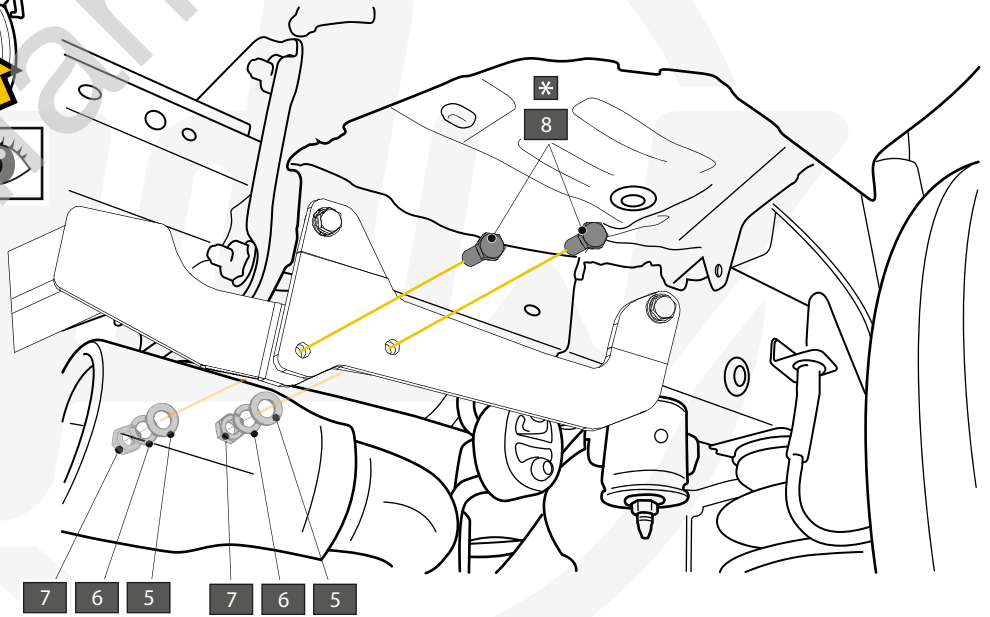
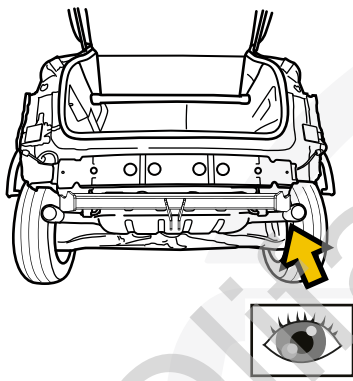
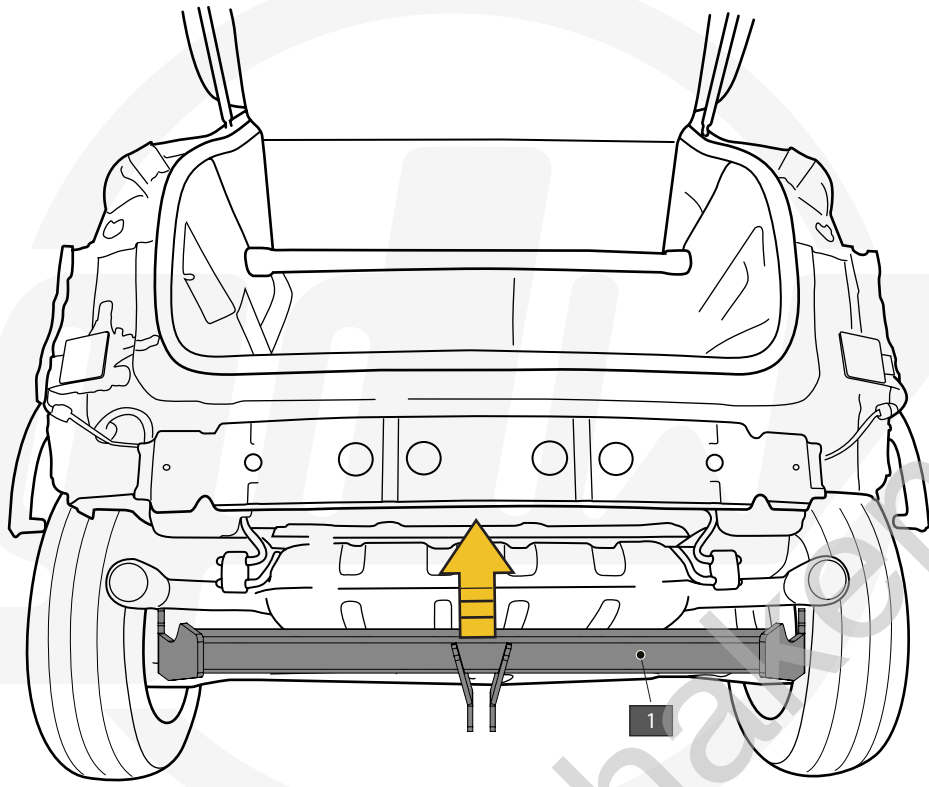


19

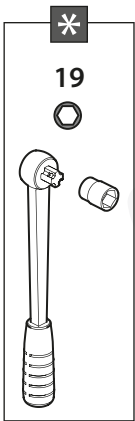
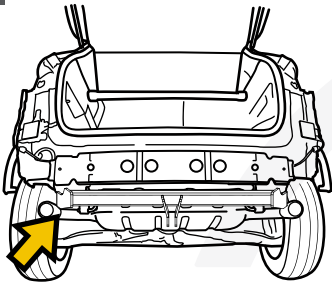


20





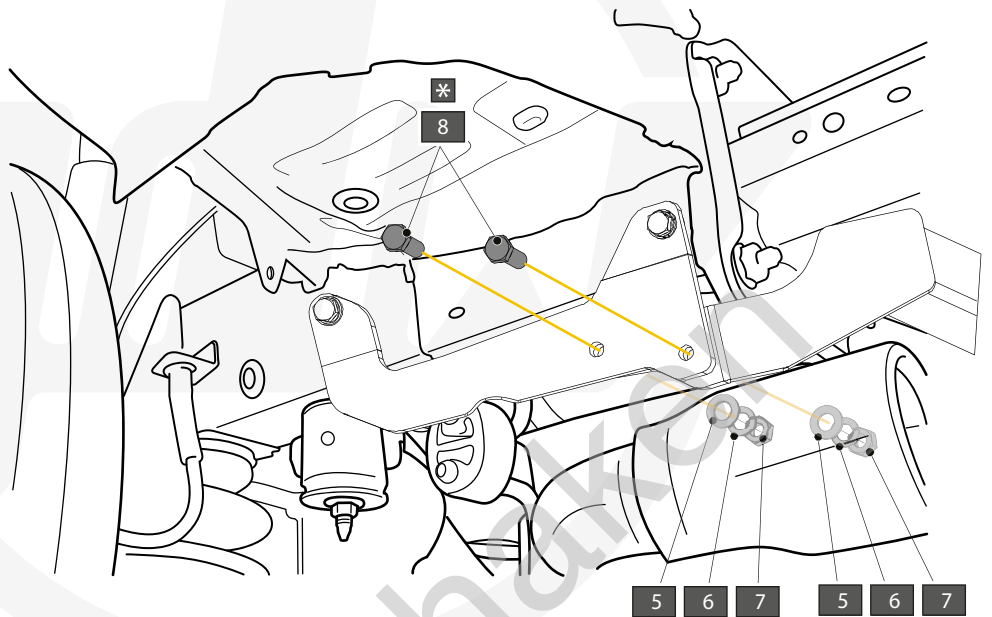
101,0 Nm



19

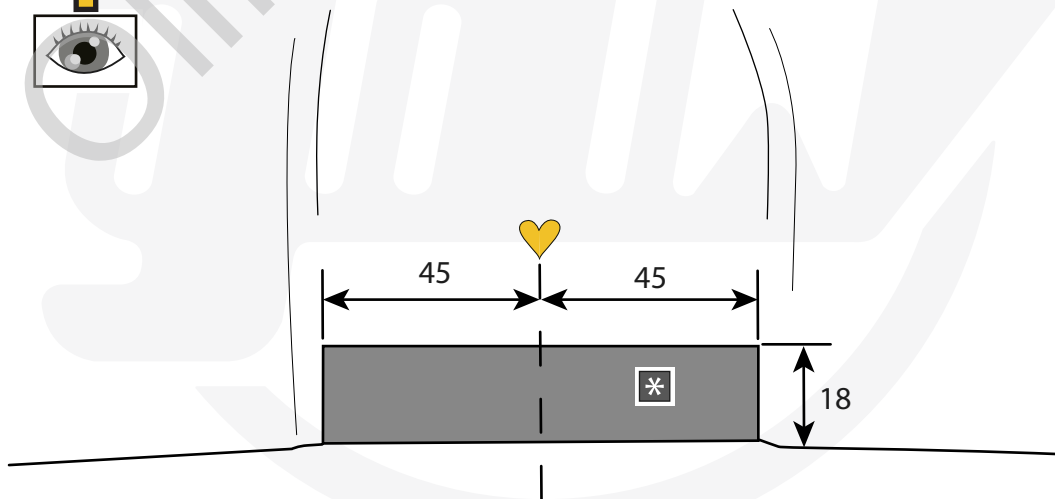
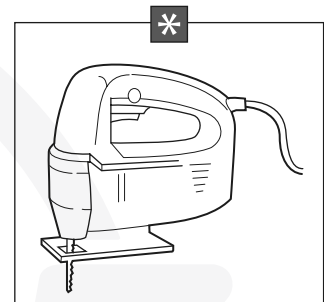
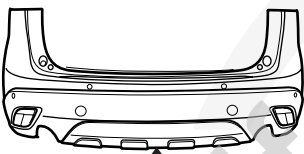


101,0 Nm

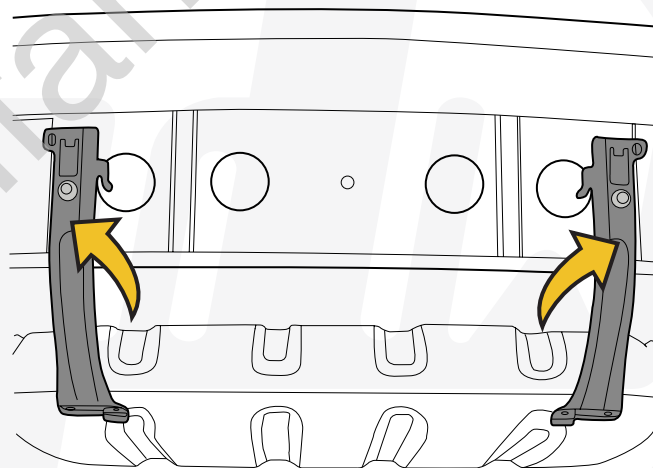
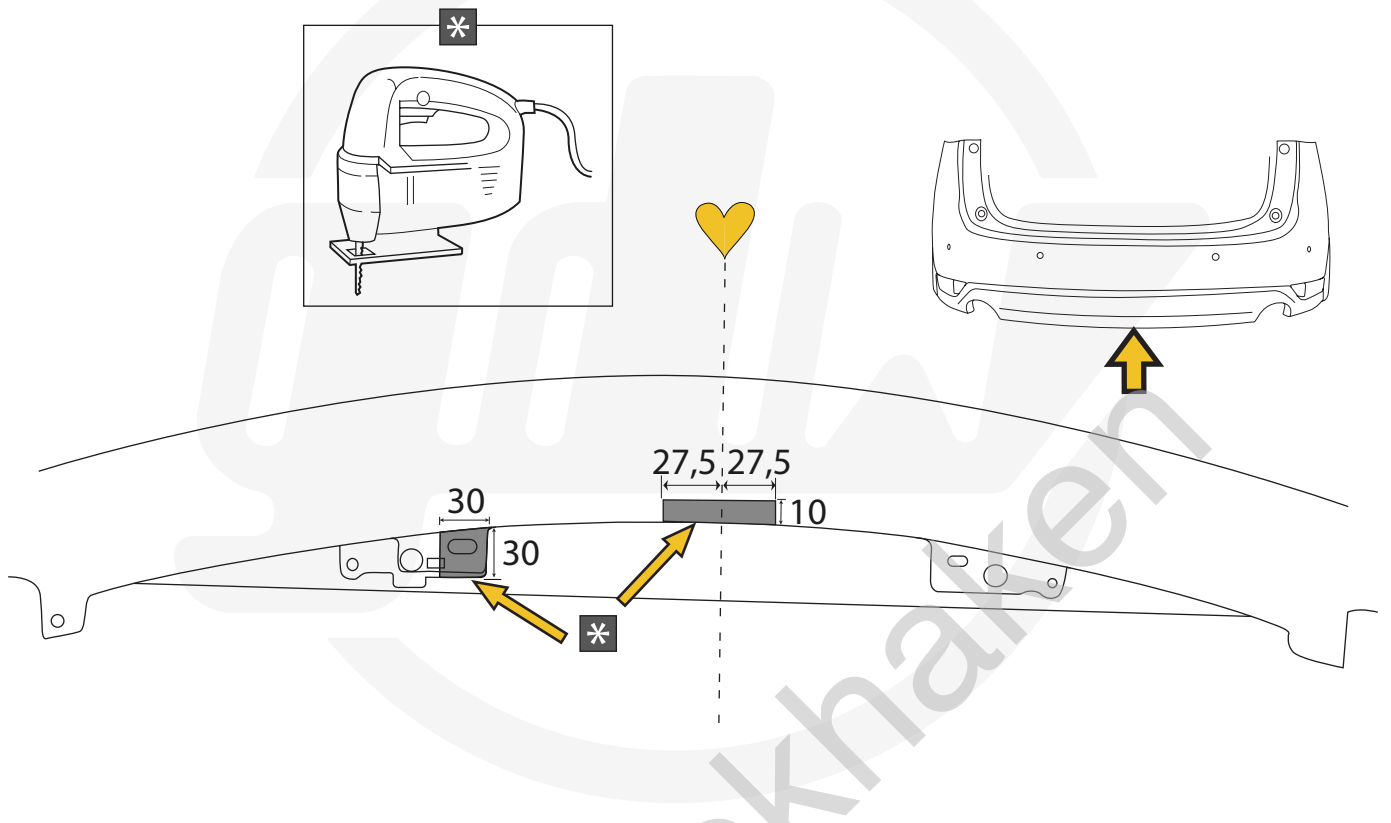


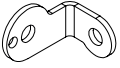




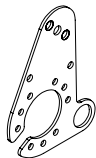
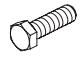
5 6 7 5 6 7

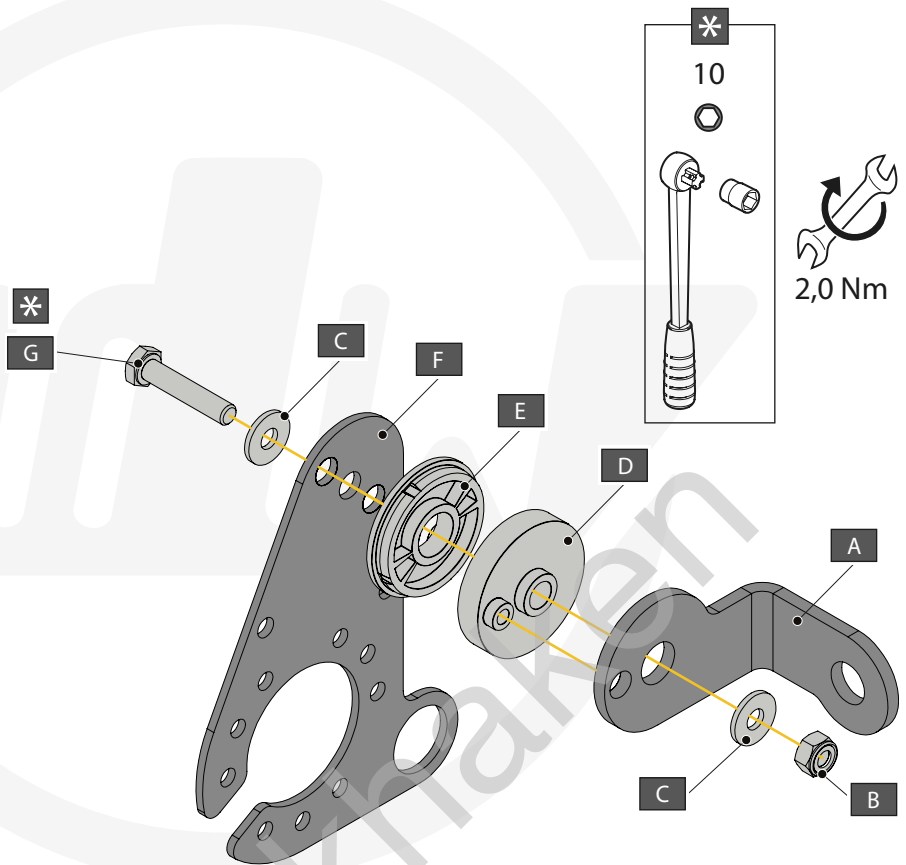
ONLY MODELS '12 - '16



ONLY MODELS '17 -

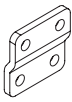

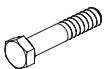




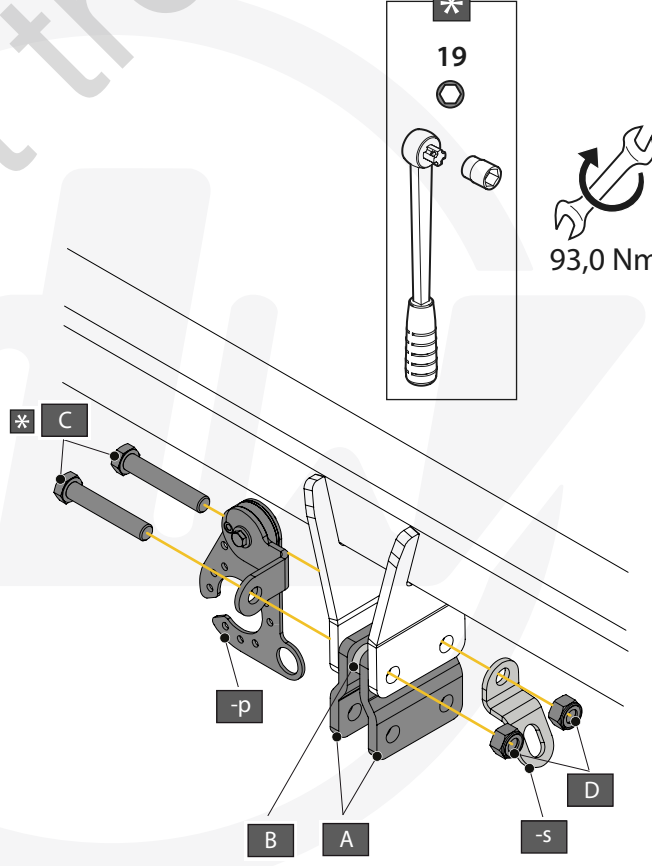
A		X1	GDW REF. 908.095
B		X1	DIN985-M6
C		X2	6,2 X 15,4 X 1,6 (NYLON)
D		X1	GDW REF. 718.16.002
E		X1	GDW REF. 718.16.003
F		X1	GDW REF. 908.094
G		X1	DIN933-M6 X 30



10

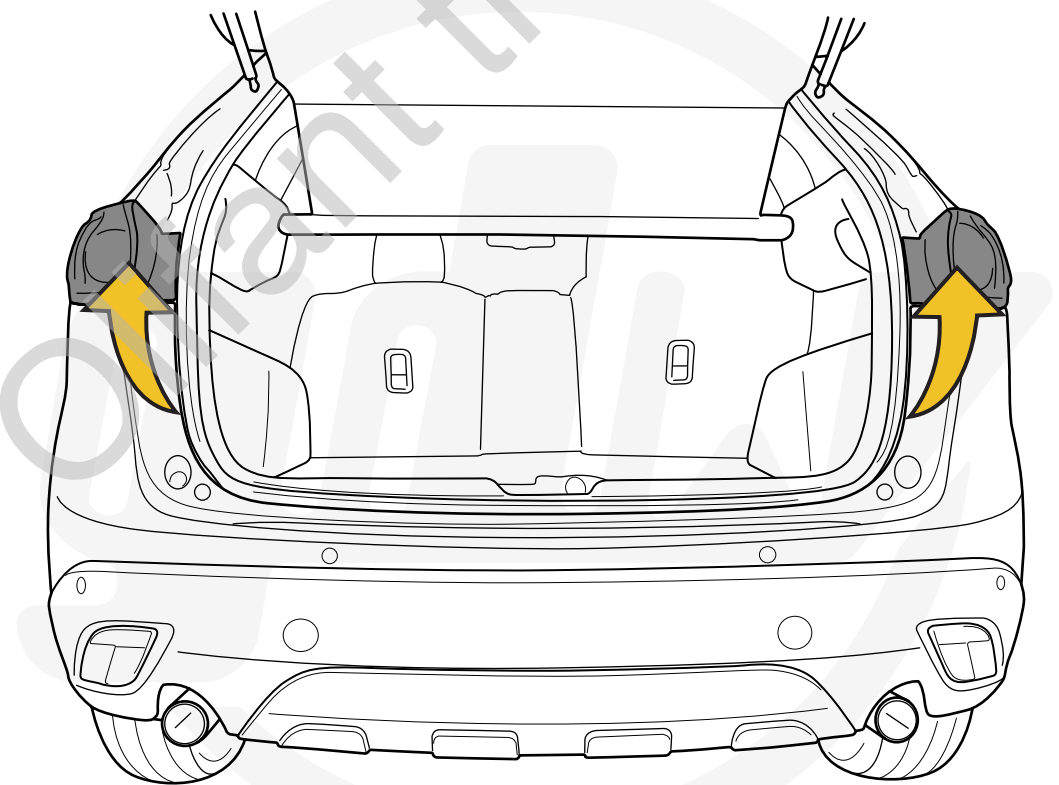
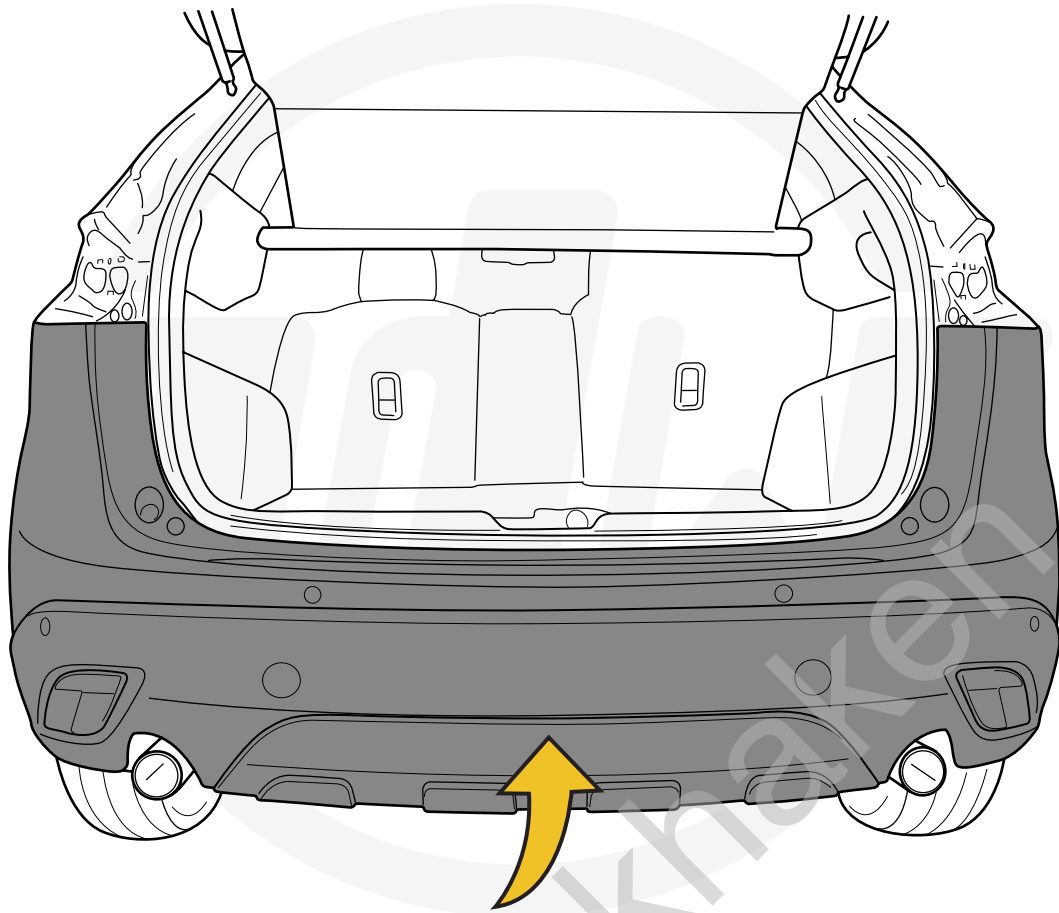
2,0 Nm

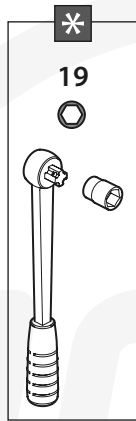
A		X2	GDW REF. 900.008
B		X2	GDW REF. 900.011 Ø 21,3 X 11,7
C		X2	DIN931-M12 X 70
D		X2	DIN985-M12
-S		X1	GDW REF. 900.053



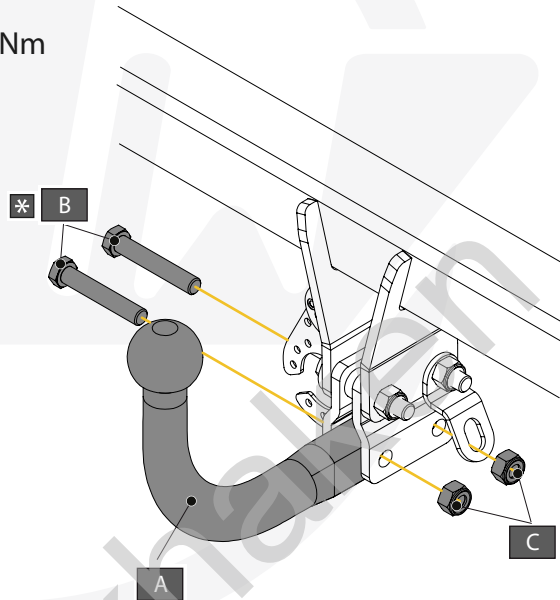
19

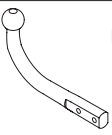
93,0 Nm





93,0 Nm



A  X1 944.H031

B  X2 DIN931-M12 X 70

C  X2 DIN985-M12

AFN Opties - Options - Options - Optionen - Opciones - Muligheder

