



TREKHAKEN • ATTELAGES • ANHÄNGERVORRICHTUNGEN • TOWBARS • ENHANCES • ANHÆNGERTRÆK
Montagehandleiding | instructions de montage | Einbauanleitung | Mounting instruction
Instrucciones de montaje | monteringsvejledning

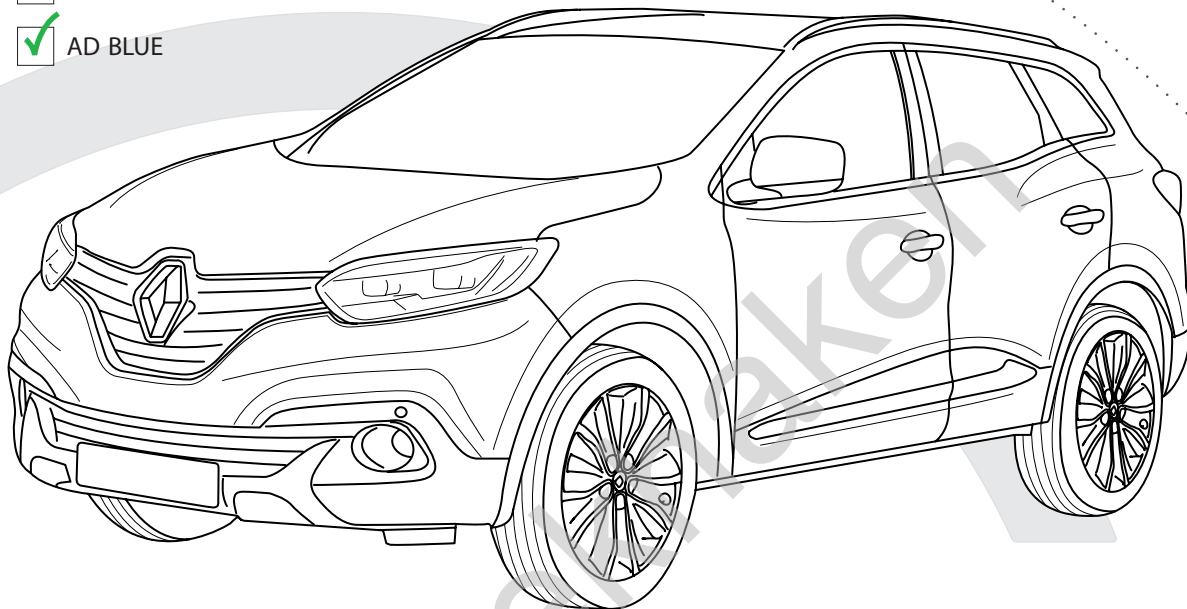


Renault Kadjar

06/'15 - 11/'18

STANDARD

AD BLUE

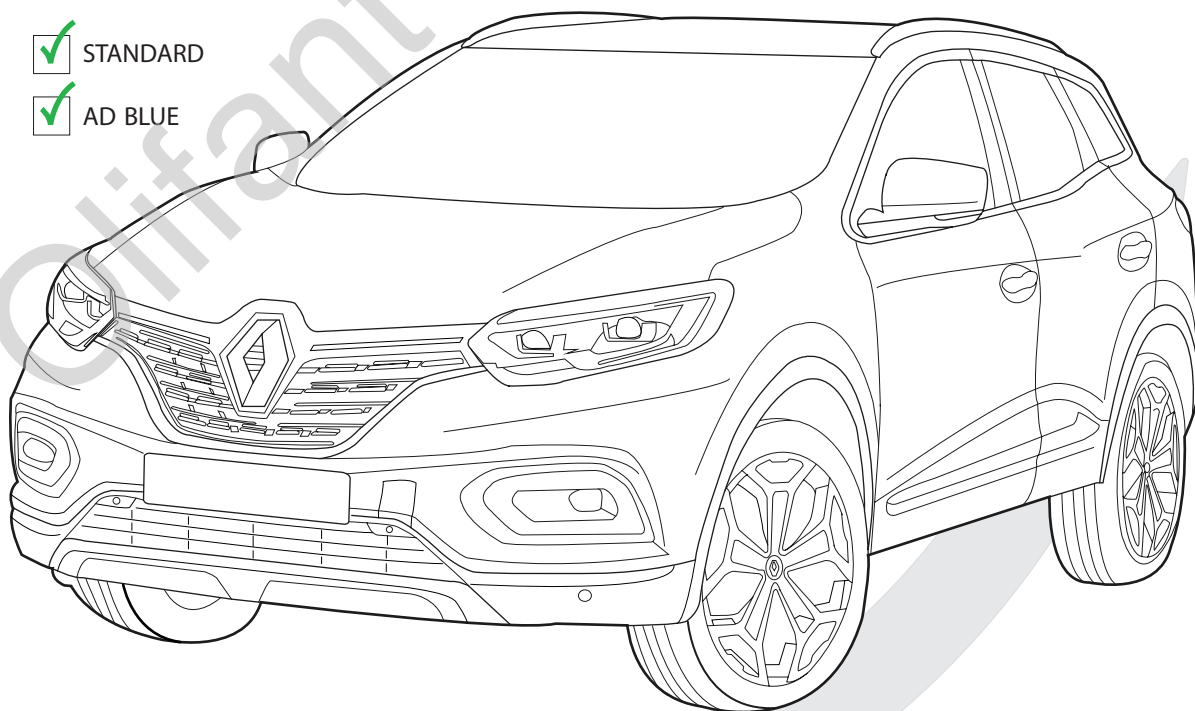


Renault Kadjar Phase II Facelift


12/'18 -

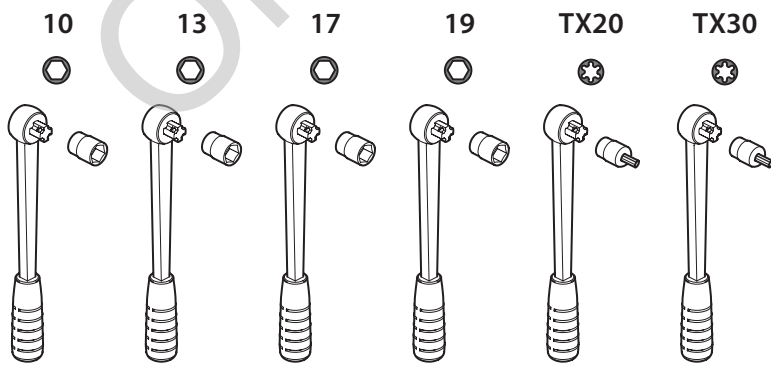
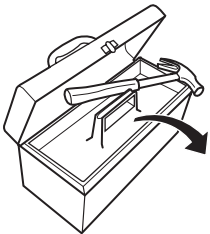
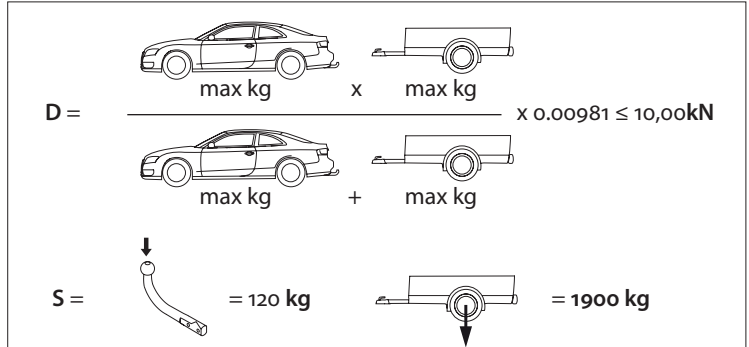
STANDARD

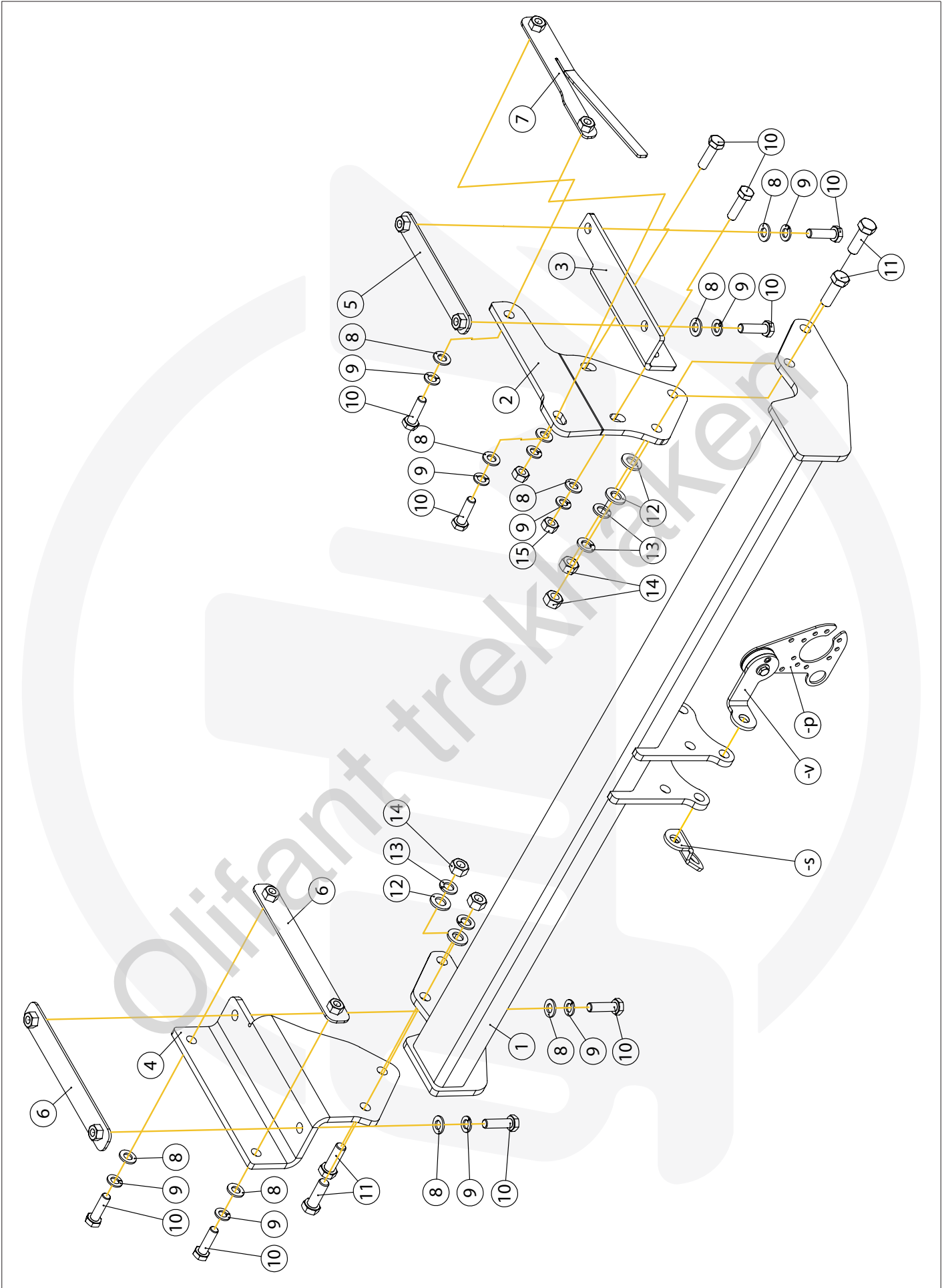
AD BLUE

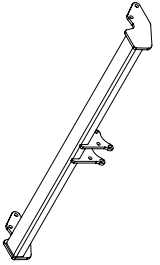
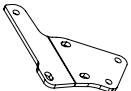
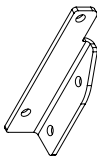
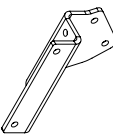
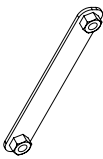
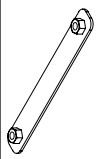
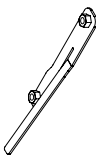











See the Certificate Of Conformity (COC) of your vehicle or contact your dealer to verify the max. trailer weight of your car!

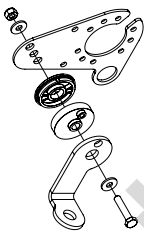




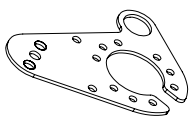

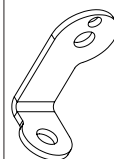
MADE BY 	D 10,00	F	E6
BELGIUM	S 120	EC APPROVAL N° 55R-011523	
REF N° 2366T60	SERIE N°		
OMSCHRIJVING Renault Kadjar '15- + Facelift '18-			

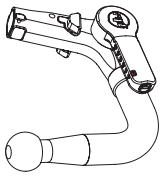

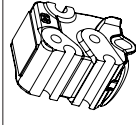


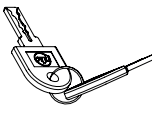


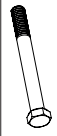







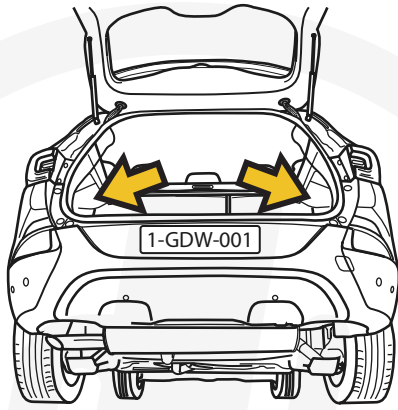
1		X1	GDW REF. 2366160
2		X1	GDW REF. 2
3		X1	GDW REF. 3
4		X1	GDW REF. 4
5		X1	GDW REF. 5
6		X2	GDW REF. 6
7		X1	GDW REF. 7
8		X10	DIN125-A10-140HV- ELVZ
9		X10	DIN 128A-M10
10		X10	DIN 933-M10X35
11		X4	DIN 933-M12X35
12		X4	DIN125-A12-140HV- ELVZ
13		X4	DIN 128A-M12

14		X4	DIN 934-M12
15		X2	DIN 934-M10
-S		X1	GDW REF. 900.053

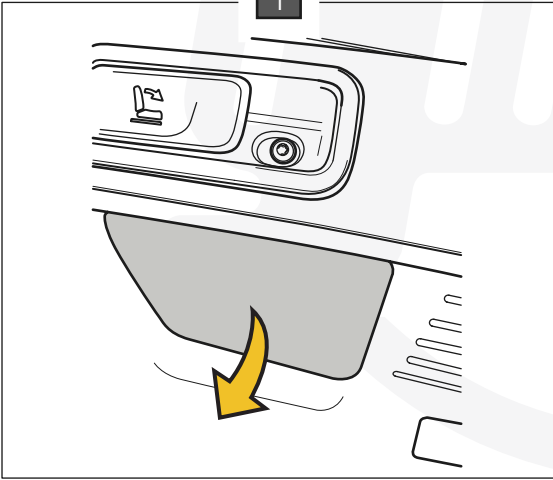
↑		X1	GDW REF. P46
↑		X1	DIN985-M6
↑		X2	6,2 X 15,4 X 1,6 (NYLON)
↑		X1	GDW REF. 718.16.002
↑		X1	GDW REF. 718.16.003
↑		X1	GDW REF. 908.094
↑		X1	DIN933-M6 X 30
↑		X1	GDW REF. 908.101

Geleverd met - Livré avec - Delivered with Geliefert mit - Elementos adjuntos-Leveres med		X1	GDW REF. 960.V1208
	↑ 	X1	GDW REF. 740.200
	↑ 	X1	GDW REF. 912.003
	↑ 	X1	GDW REF. 740.112
	↑ 	X1	GDW REF. 740.111
	↑ 	X1	GDW REF. 740.114
	↑ 	X1	GDW REF. 718.15.001
	↑ 	X1	GDW REF. SYST60-10
	↑ 	X3	DIN931-M12X110-8.8
	↑ 	X3	DIN128A-M12
↑ 	X6	DIN125A-M12	
↑ 	X3	DIN934-M12	

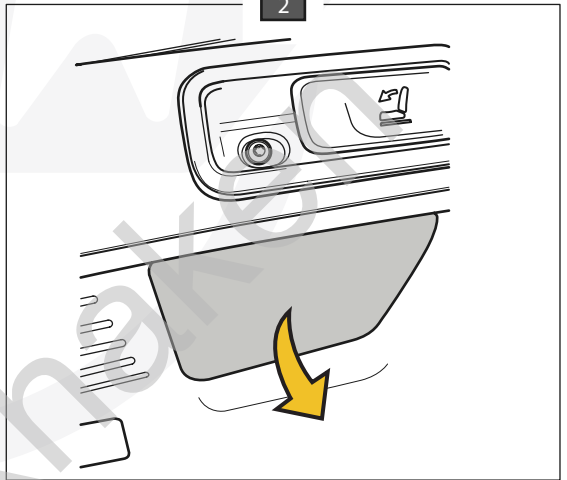
1



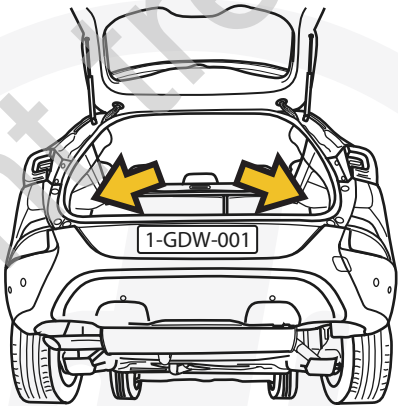
1



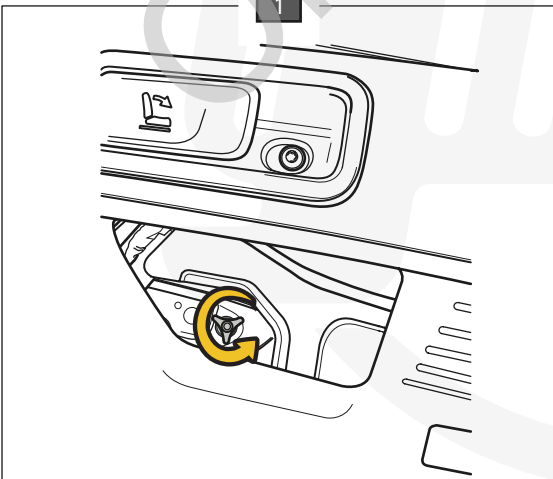
2



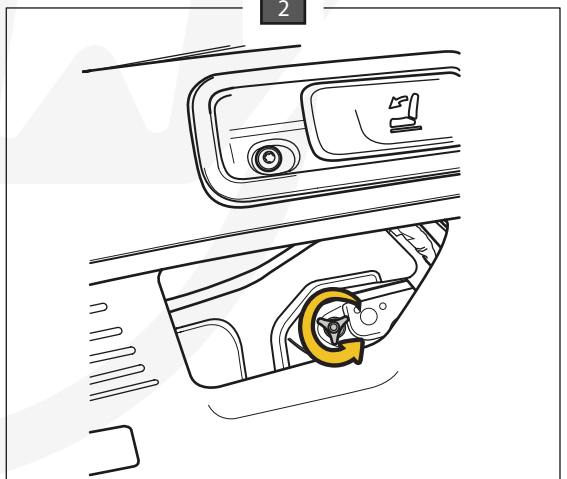
2

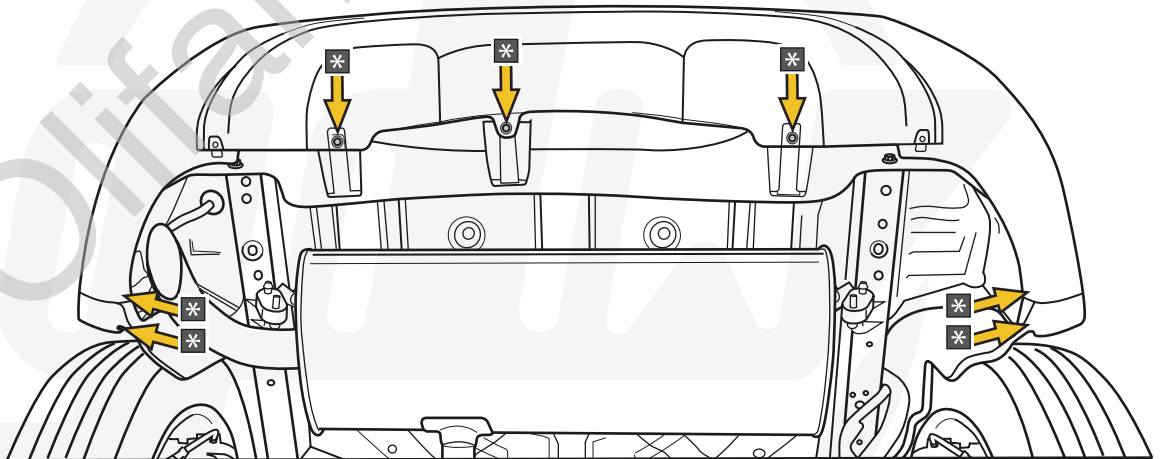
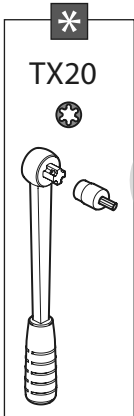
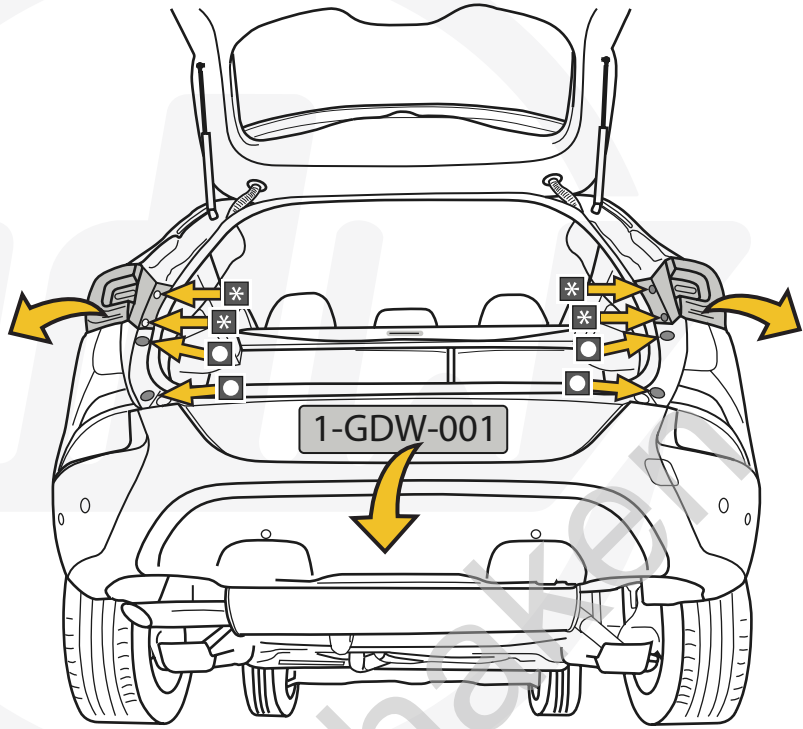
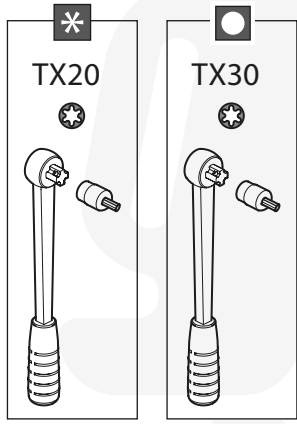


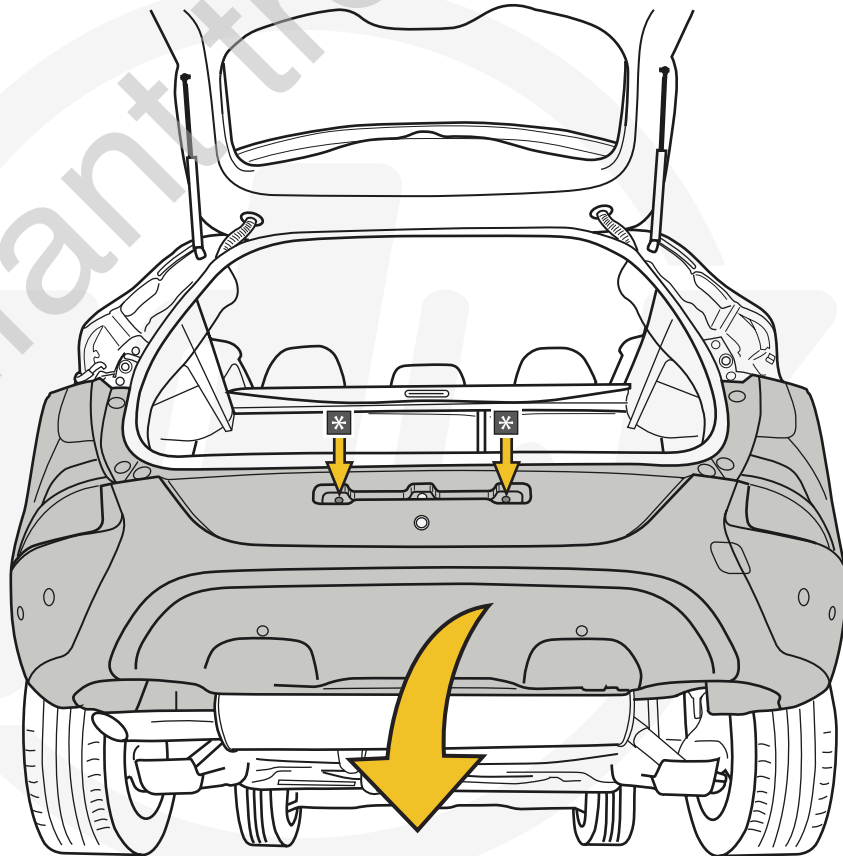
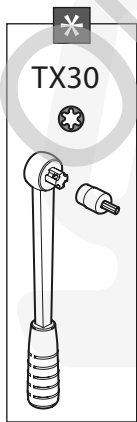
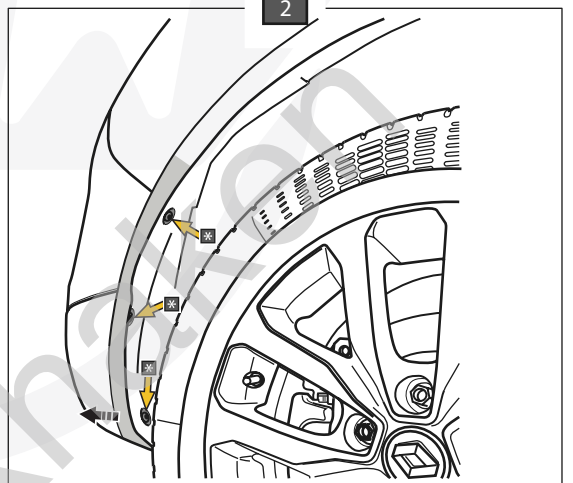
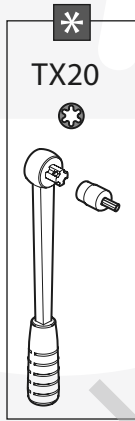
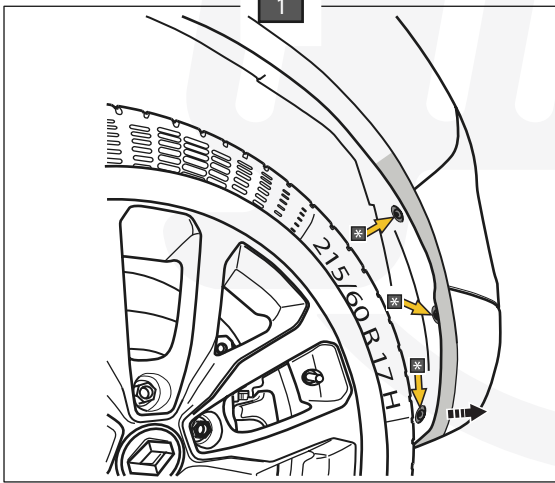
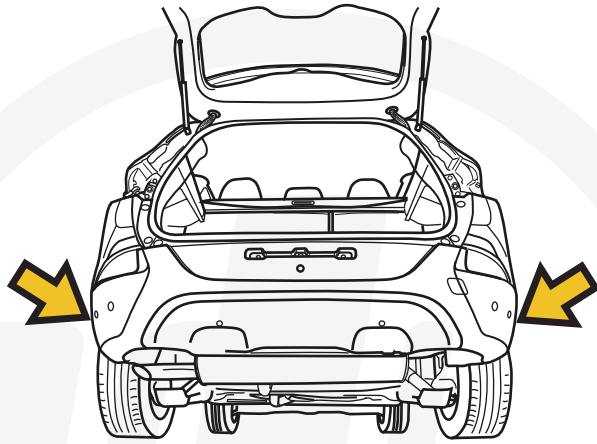
1



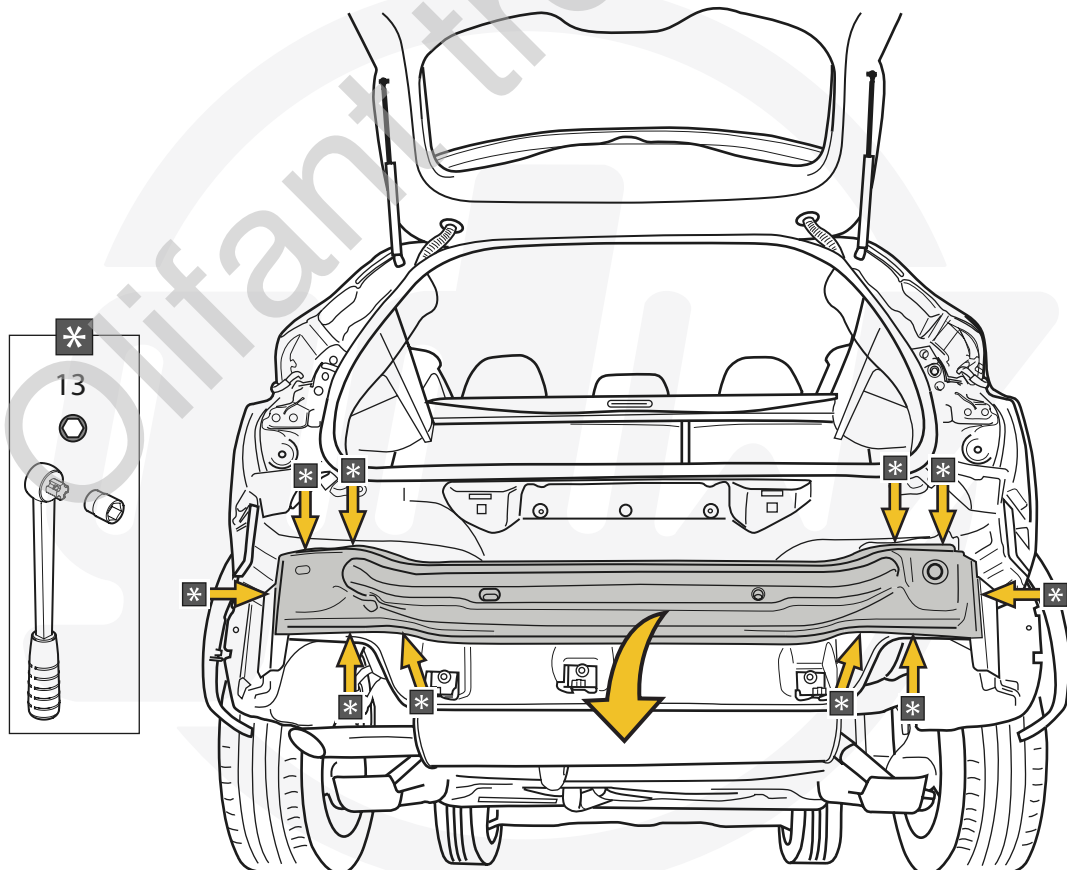
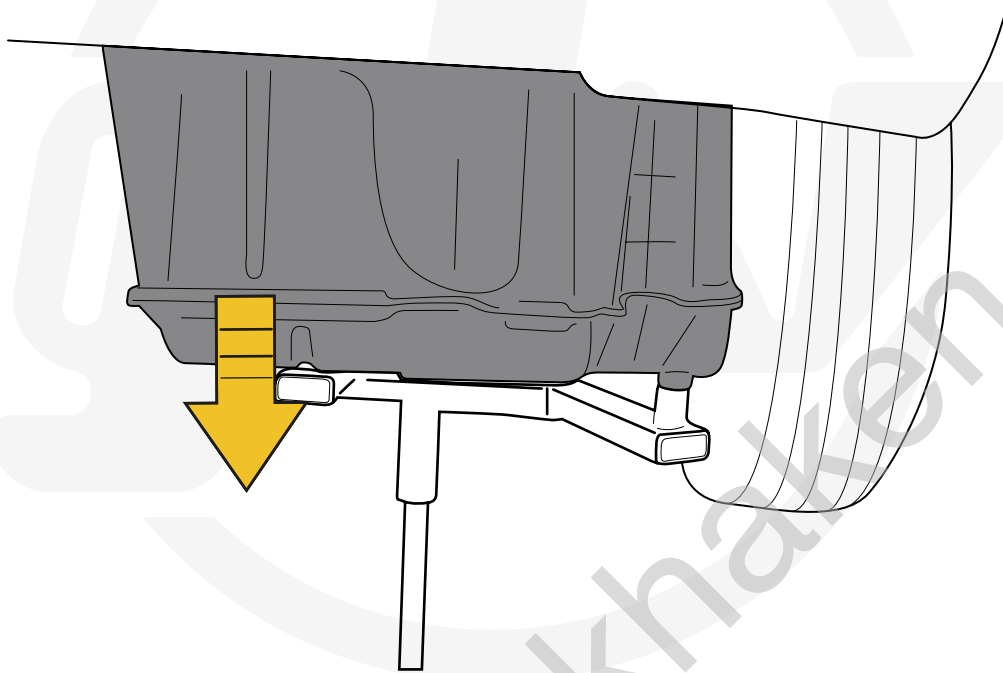
2

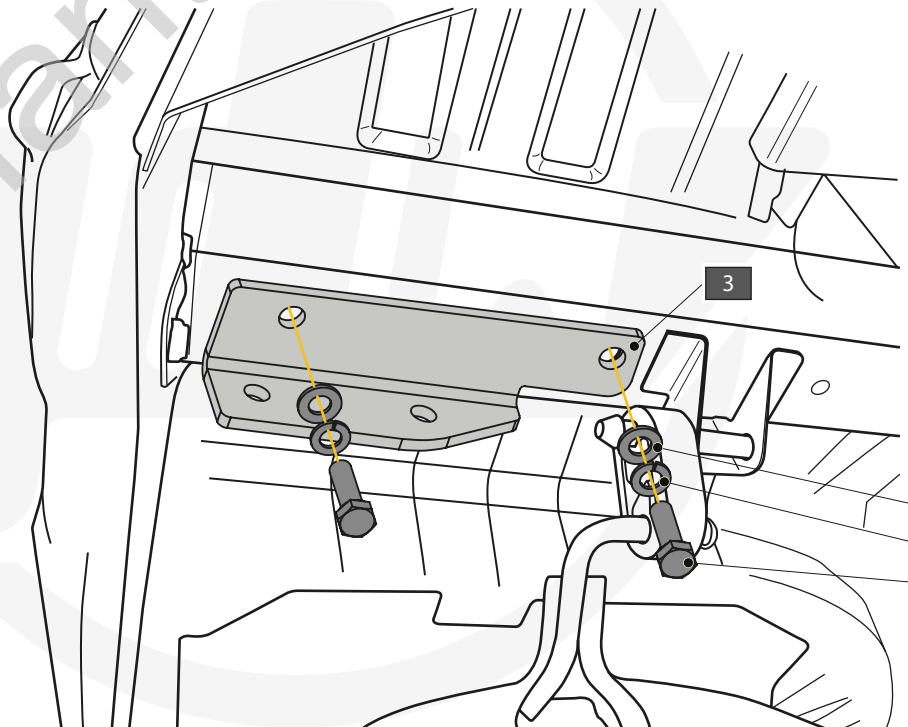
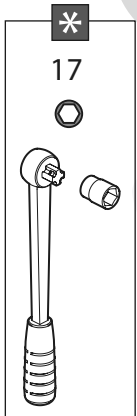
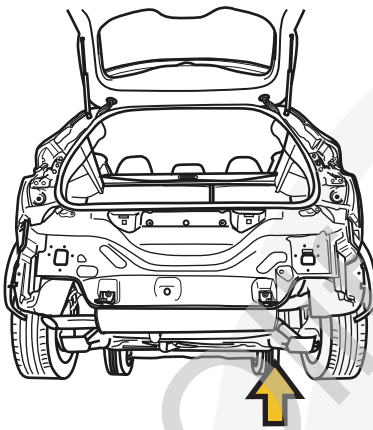
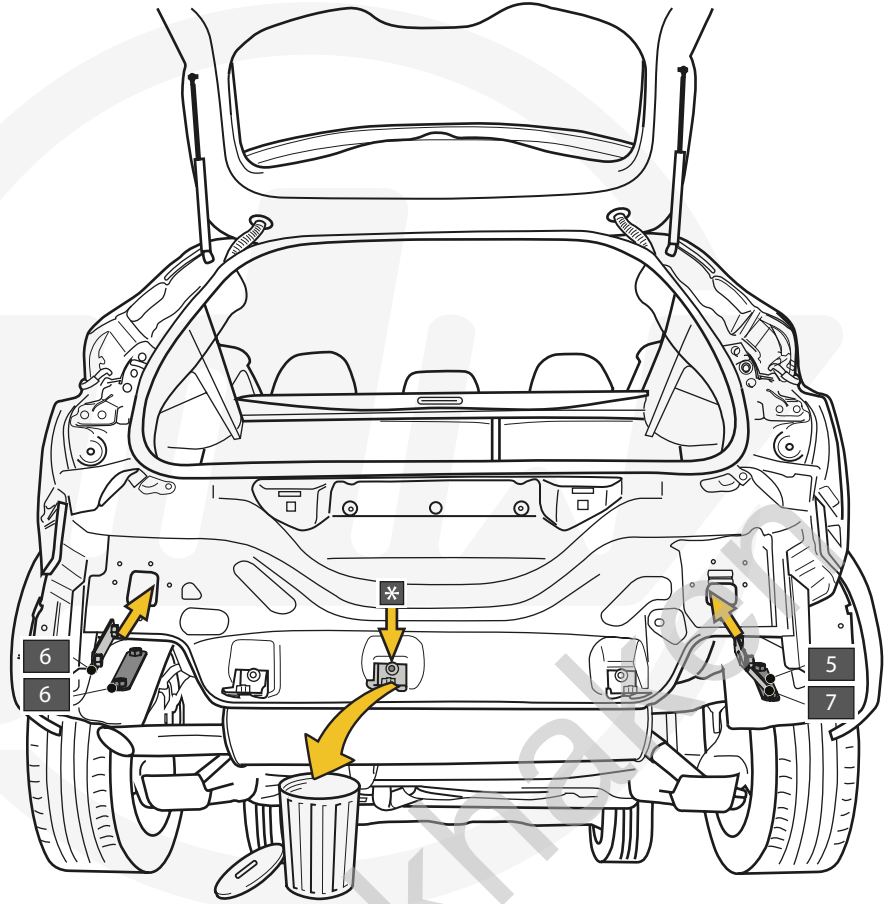
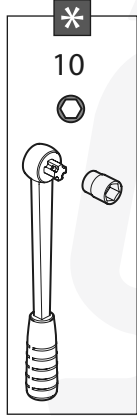




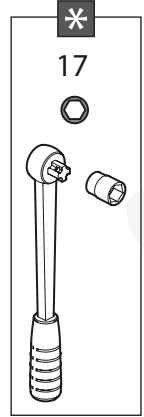
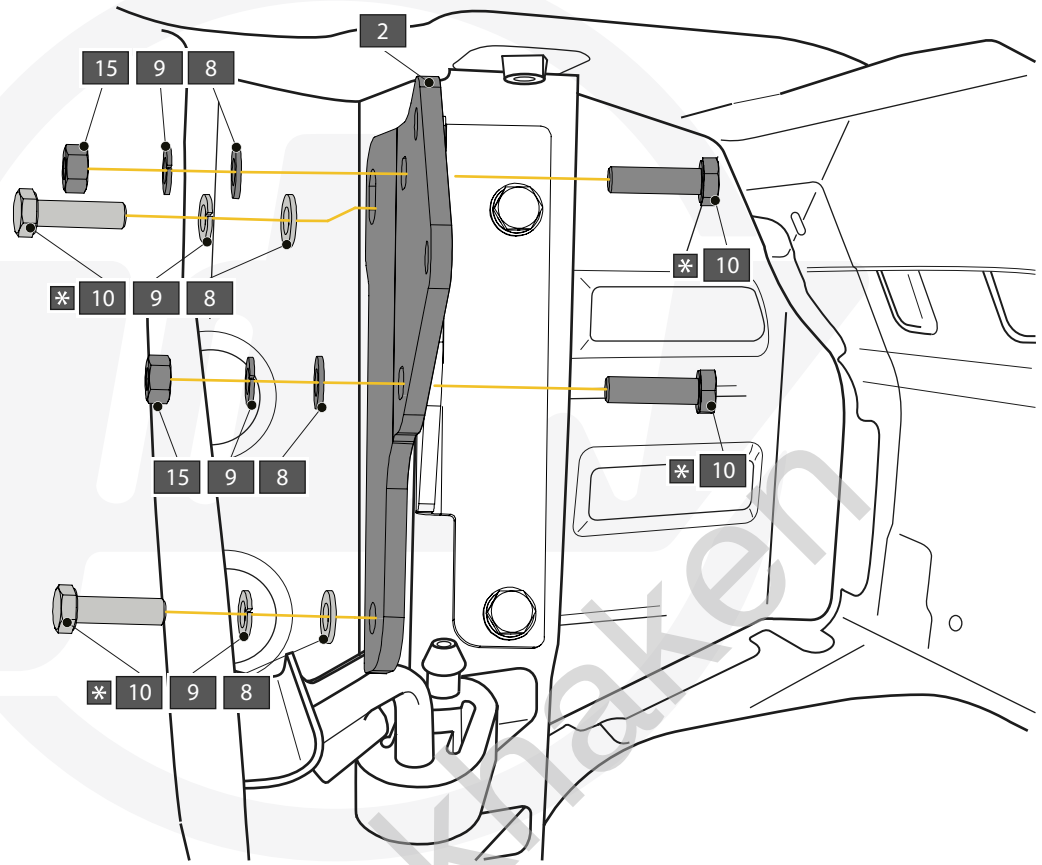
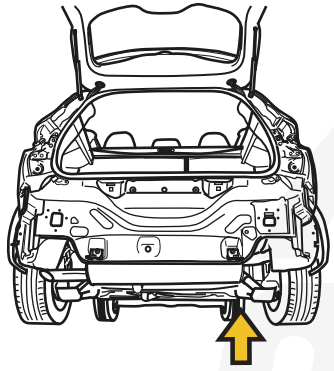


ONLY FOR AD BLUE



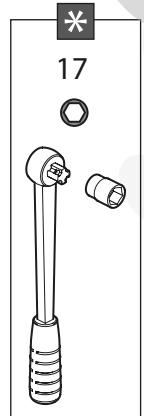
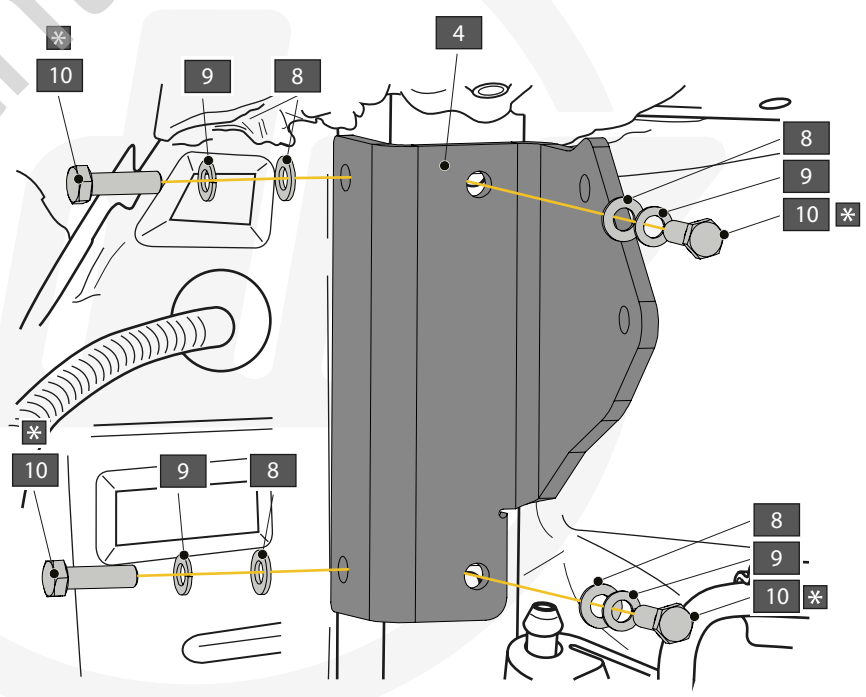
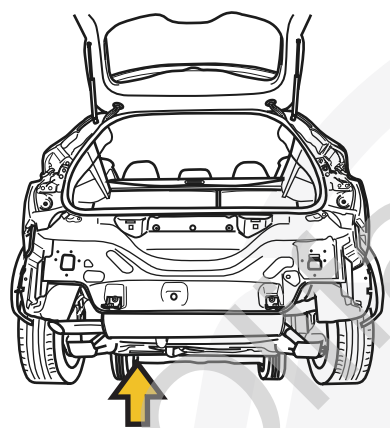


11

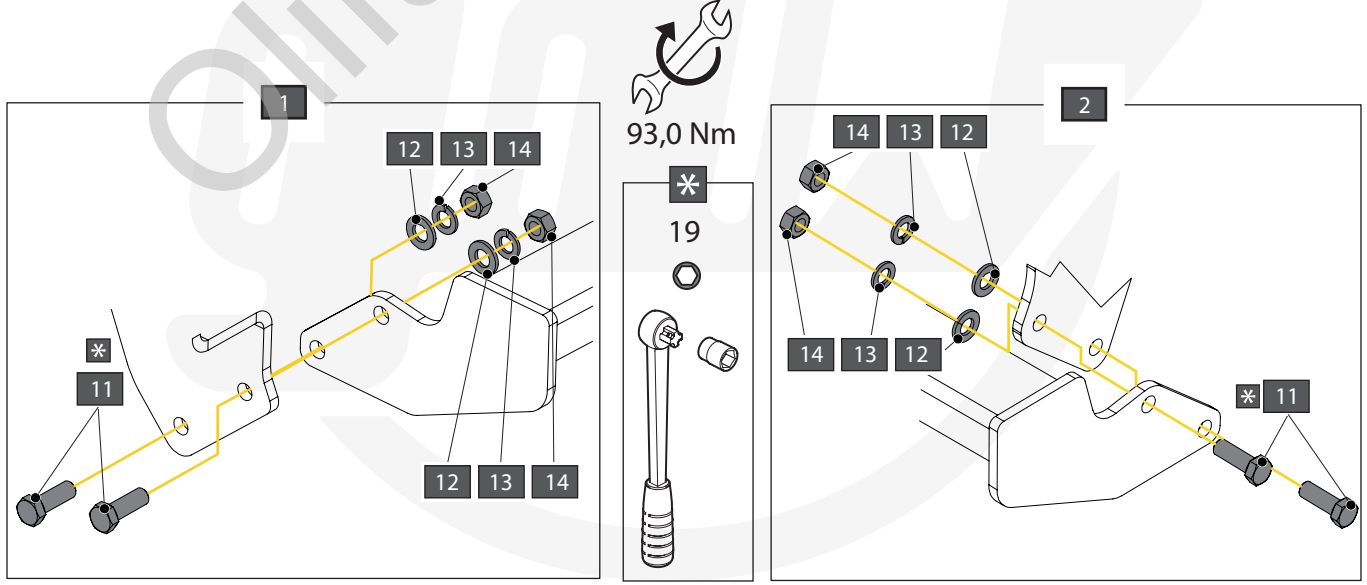
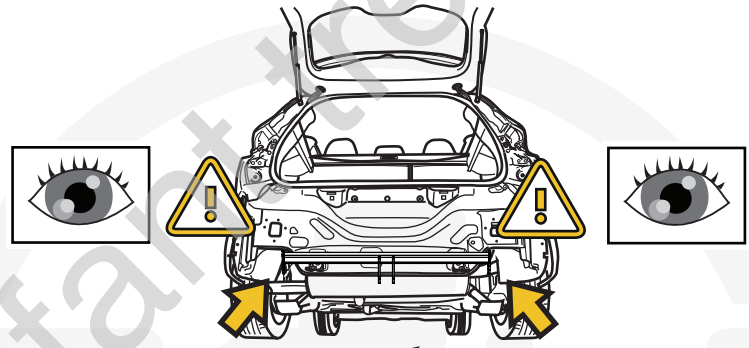
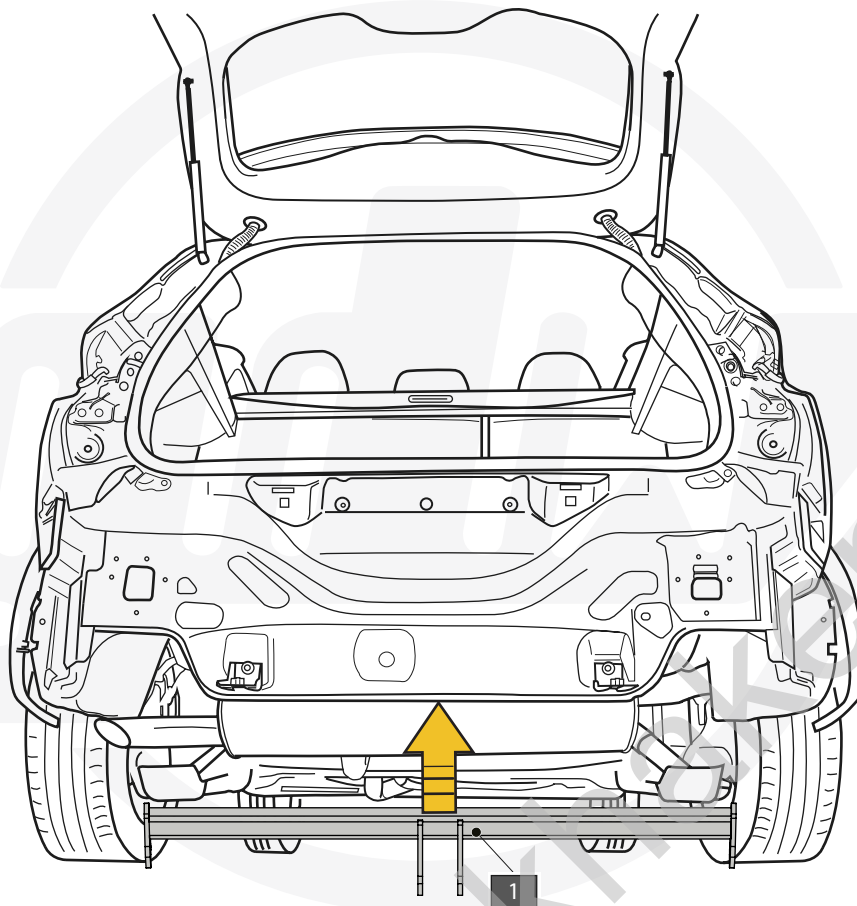


54,0 Nm

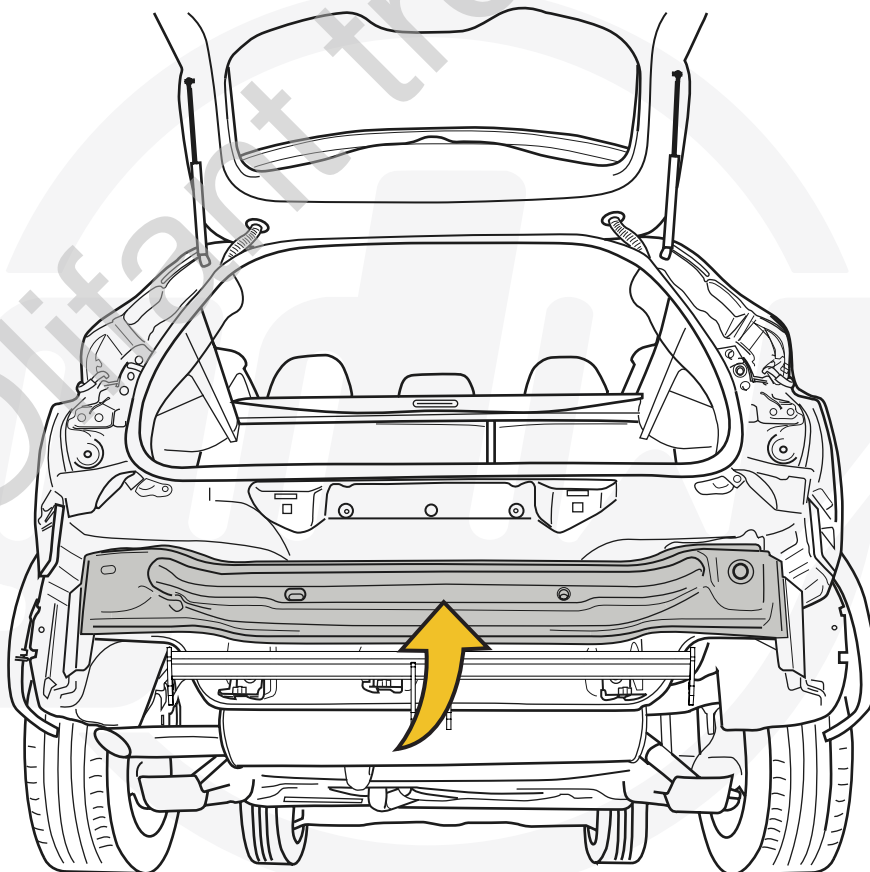
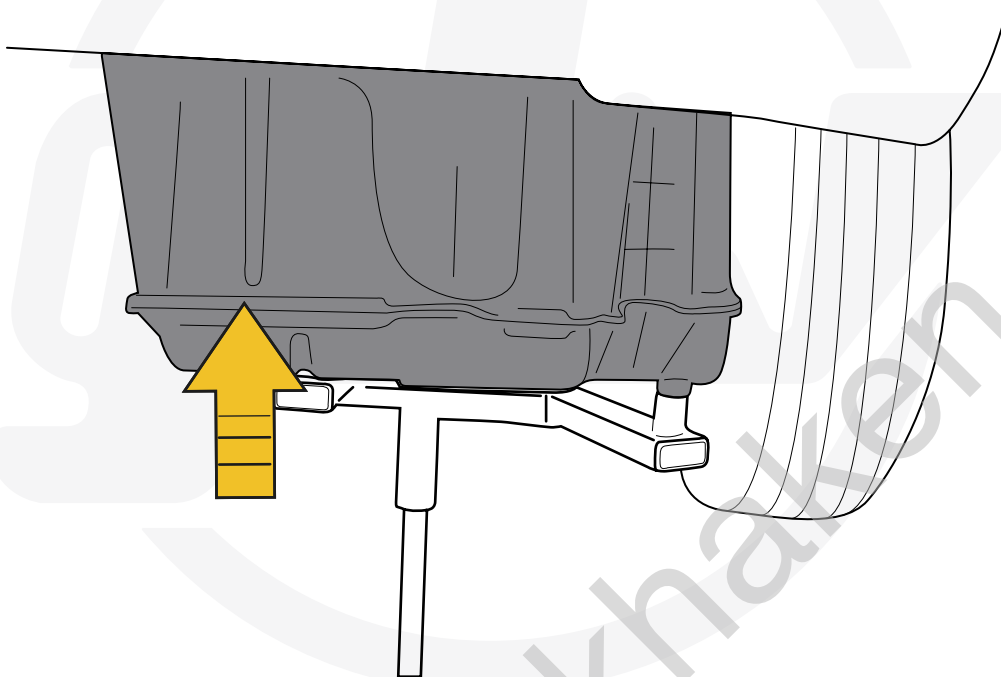
12

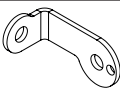




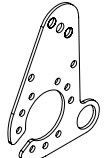



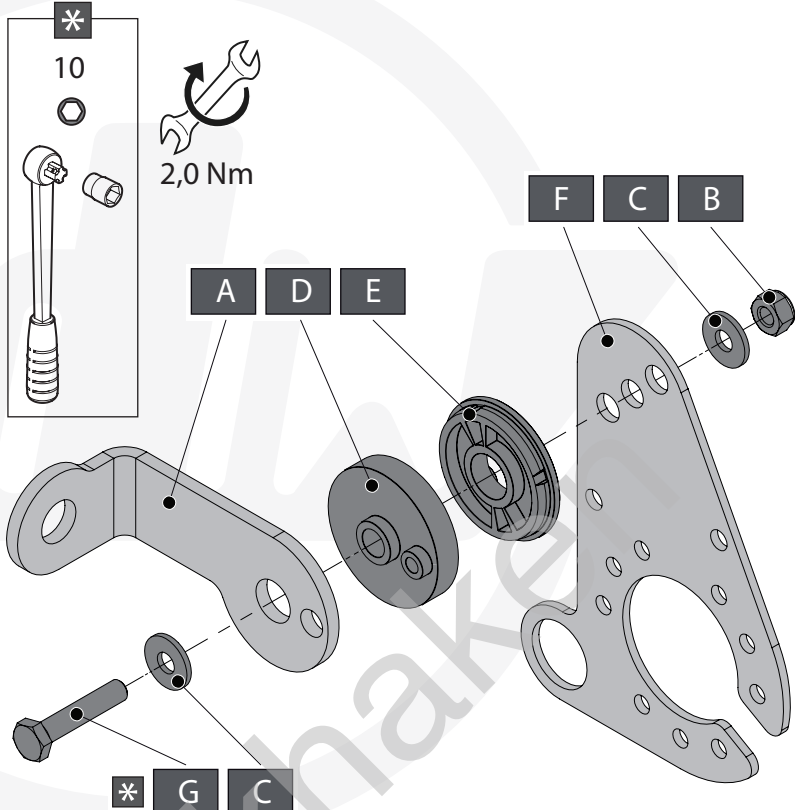
54,0 Nm



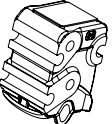




ONLY FOR AD BLUE

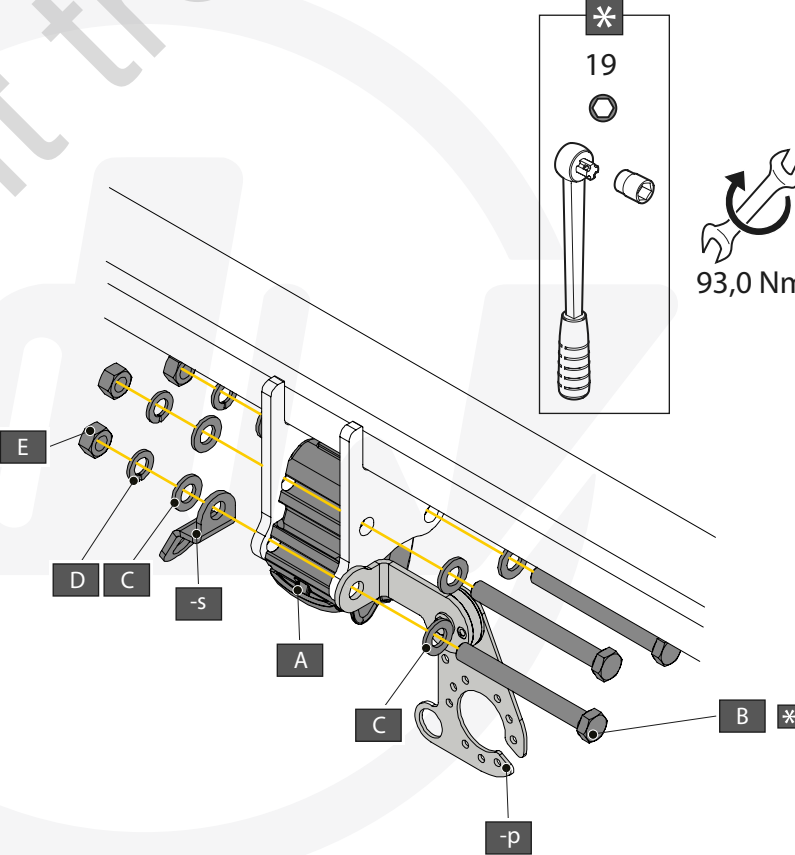


A		X1	GDW REF. 908.101
B		X1	DIN985-M6
C		X2	6,2 X 15,4 X 1,6 (NYLON)
D		X1	GDW REF. 718.16.002
E		X1	GDW REF. 718.16.003
F		X1	GDW REF. 908.094
G		X1	DIN933-M6 X 30

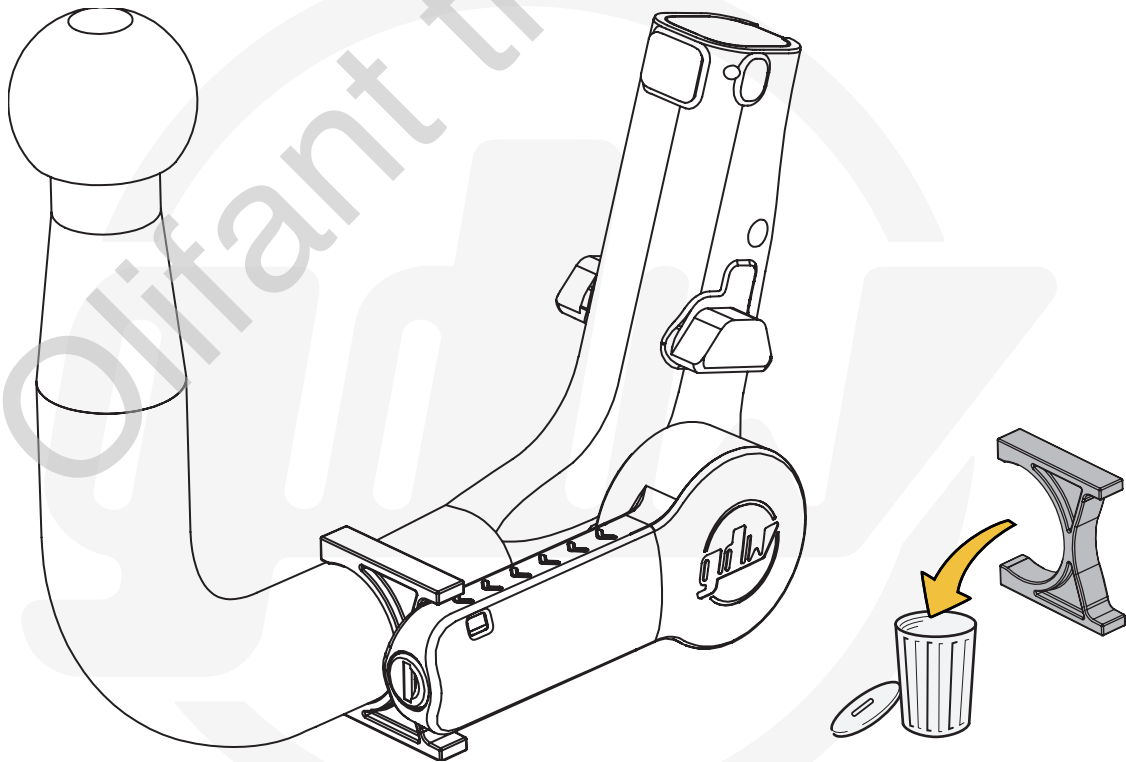
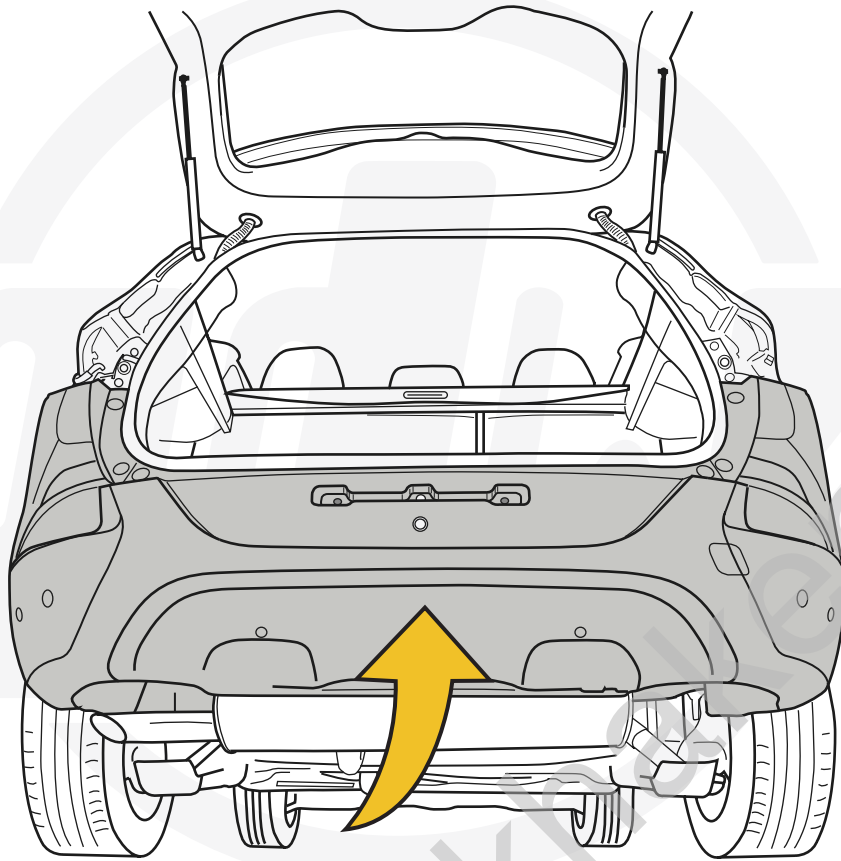


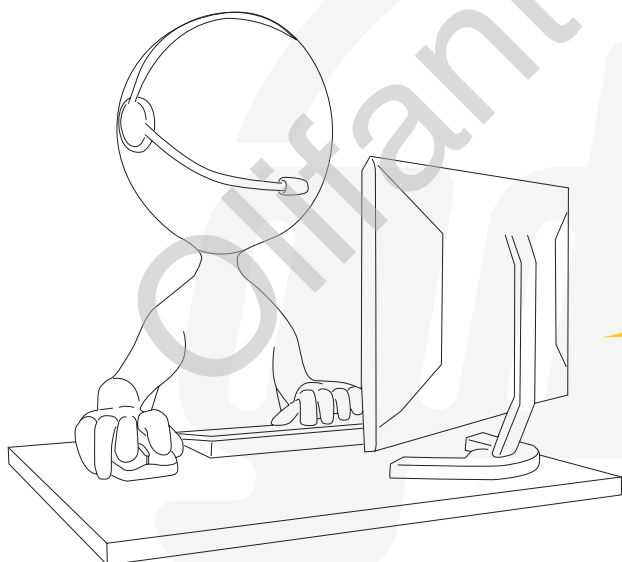
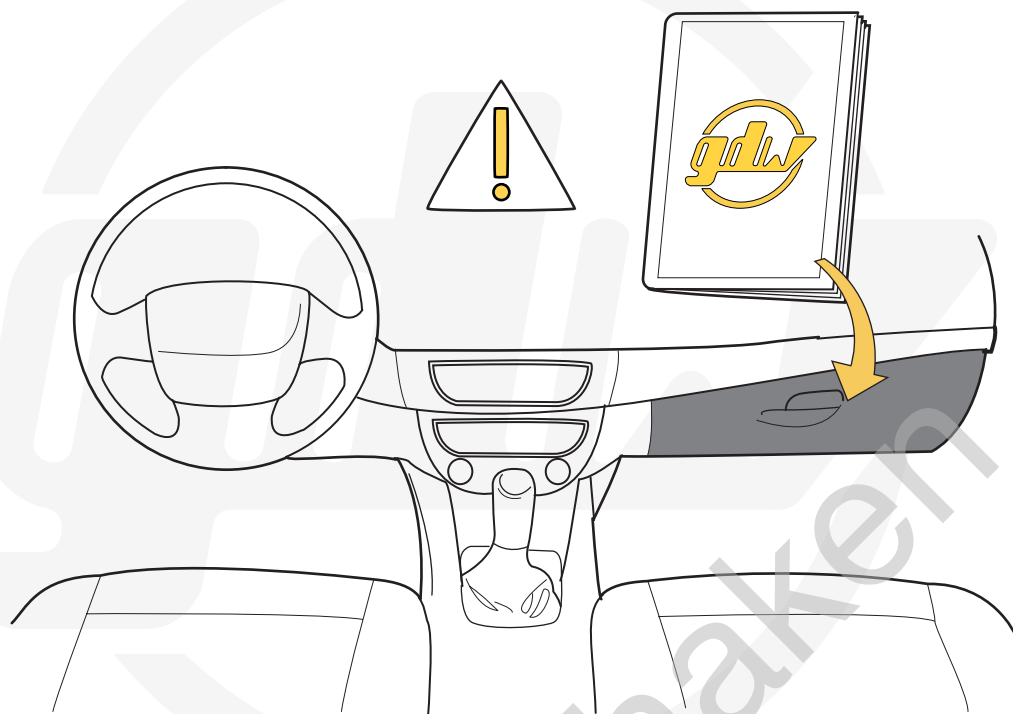
*** 10**
2,0 Nm

A		X1	912.003
B		X3	DIN931-M12X110
C		X6	DIN125A-M12
D		X3	DIN128A-M12
E		X3	DIN934-M12



*** 19**
93,0 Nm





helpdesk@gdwtowbars.com
+32 56 62 77 79

Monday	08:00 - 12:00	12:30 - 16:30
Tuesday	08:00 - 12:00	12:30 - 16:30
Wednesday	08:00 - 12:00	12:30 - 16:30
Thursday	08:00 - 12:00	12:30 - 16:30
Friday	08:00 - 12:00	12:30 - 15:30