



TREKHAKEN • ATTELAGES • ANHÄNGERVORRICHTUNGEN • TOWBARS • ENHANCES • ANHÆNGERTRÆK

Montagehandleiding | instructions de montage | Einbauanleitung | Mounting instruction
Instrucciones de montaje | monteringsvejledning

Citroën Berlingo III + Van

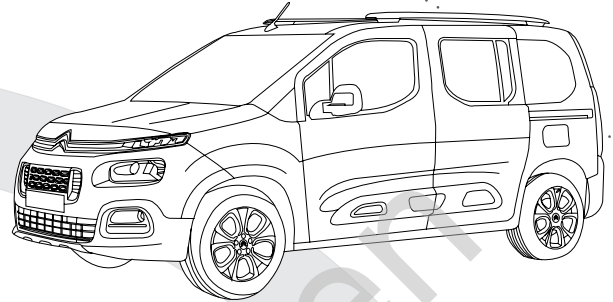
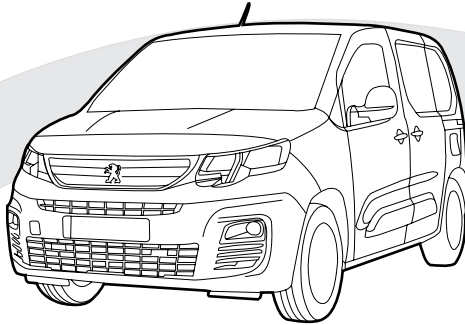
06/'18-

Peugeot Partner III

09/'18-



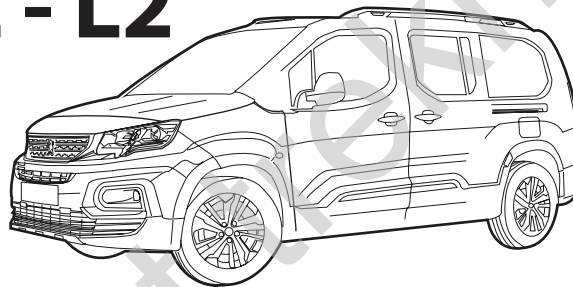
✓ **XL - L2**



Peugeot Rifter

09/'18-

✓ **XL - L2**



Fiat Doblo

06/'22-

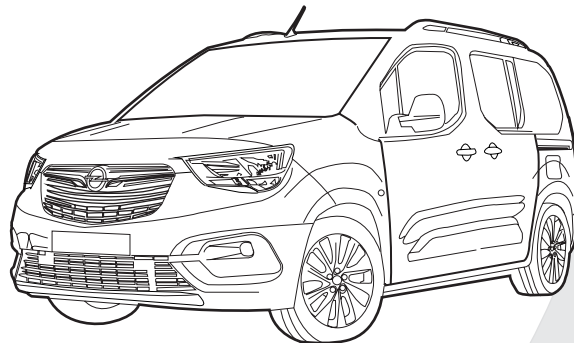
✓ **XL - L2**

✓ **E-DOBLO**

Opel Combo E IV + Combo Life

06/'18-

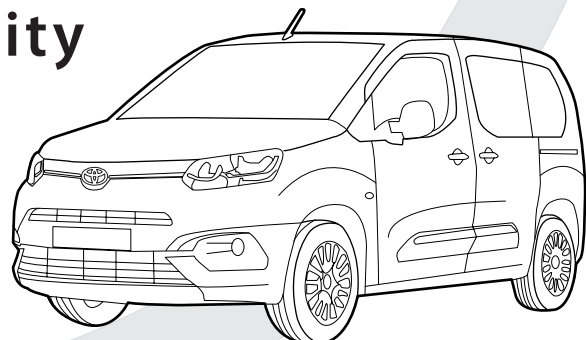
✓ **XL - L2**




Toyota ProAce City

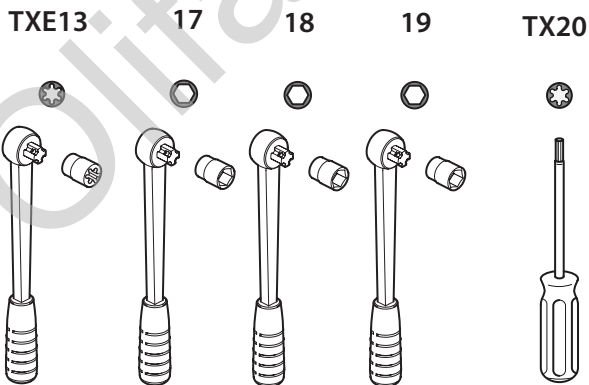
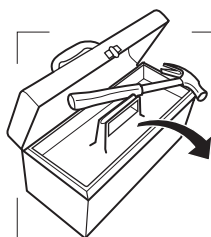
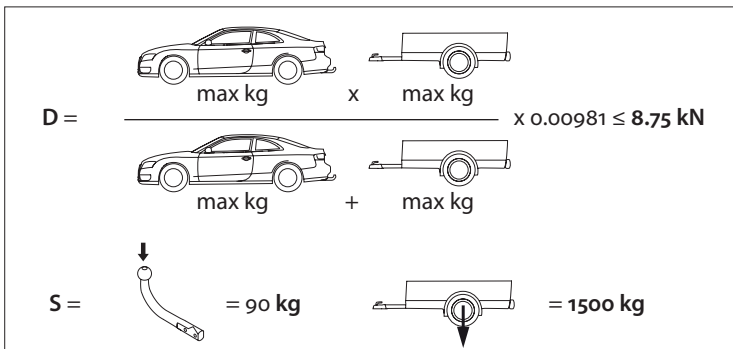
10/'19-

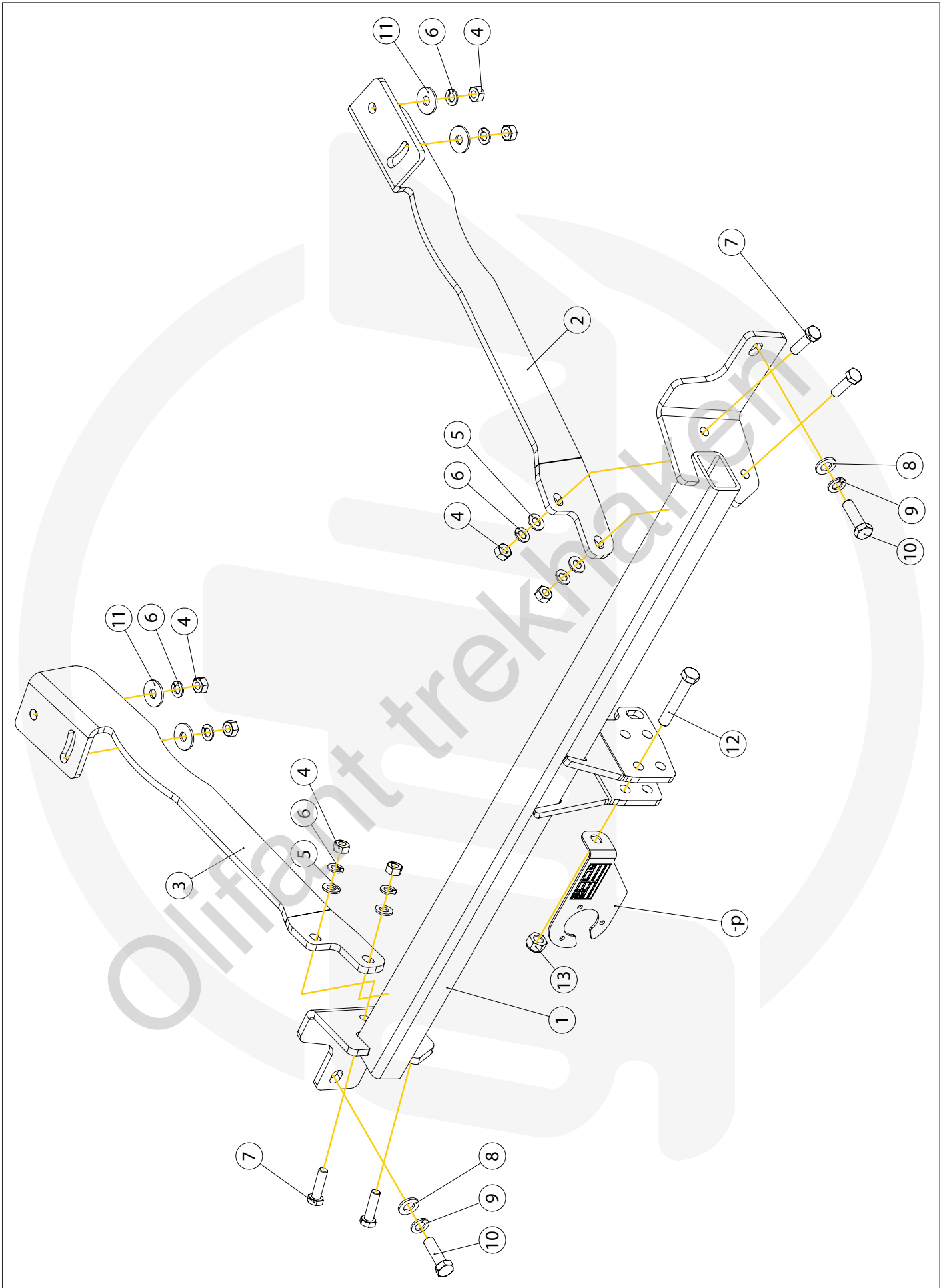
✓ **XL - L2**

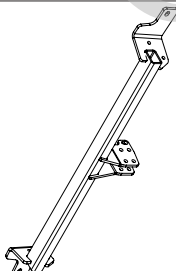
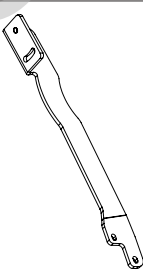
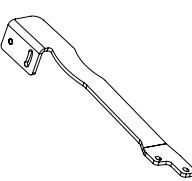










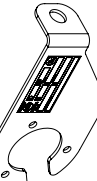


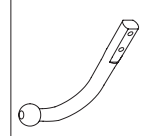


See the Certificate Of Conformity (COC) of your vehicle or contact your dealer to verify the max. trailer weight of your car!

| | | | |
|---|----------------|------------|----|
| MADE BY | D 8,75 | F | E6 |
|  | EC APPROVAL N° | | |
| BELGIUM | S 90 | 55R-011524 | |
| REF N° | SERIE N° | | |
| 2364 | XXXX | | |
| OMSCHRIJVING | | | |
| Citroën Berlingo XL-L2 06/'18- / Peugeot Partner XL-L2 09/'18- / Fiat Doblo XL-L2 06/'22- Peugeot Rifter XL-L2 09/'18- / Opel Combo XL-L2 06/'18- / Toyota ProAce City XL-L2 10/'19- | | | |





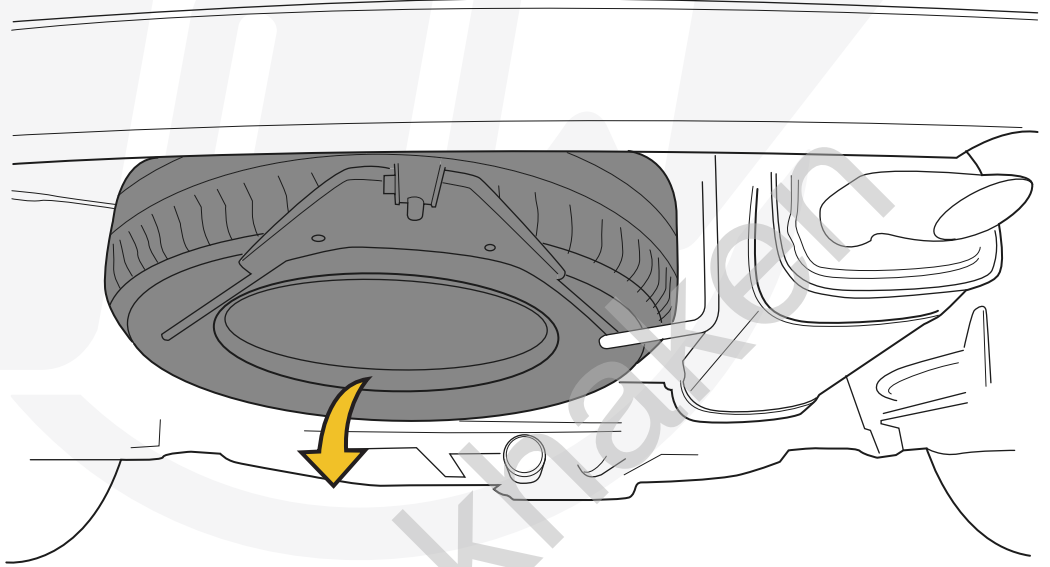
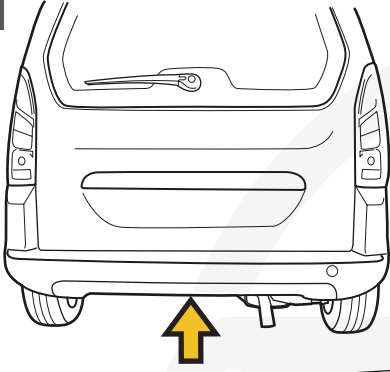
| | | | |
|----|---|----|------------------------|
| 1 |  | X1 | GDW REF. 2364 |
| 2 |  | X1 | GDW REF. 2 |
| 3 |  | X1 | GDW REF. 3 |
| 4 |  | X8 | DIN934-M10 |
| 5 |  | X4 | DIN125-A10-140HV- ELVZ |
| 6 |  | X8 | DIN128A-M10 |
| 7 |  | X4 | DIN933-M10X35 |
| 8 |  | X2 | DIN125-A12-140HV- ELVZ |
| 9 |  | X2 | DIN128A-M12 |
| 10 |  | X2 | DIN933-M12X40 |
| 11 |  | X4 | DIN9021-M10-ELVZ |
| 12 |  | X1 | DIN931-M12X70 |
| 13 |  | X1 | DIN985-M12 |
| -P |  | X1 | GDW REF. PO7 |

| | | |
|--|----|-----------------|
| Geleverd met - Livré avec - Delivered with Gefiefert mit - Elementos adjuntos-Leveres med | | |
|  | X1 | 944.H035 |
|  | X2 | DIN931-M12 X 70 |
|  | X2 | DIN985-M12 |

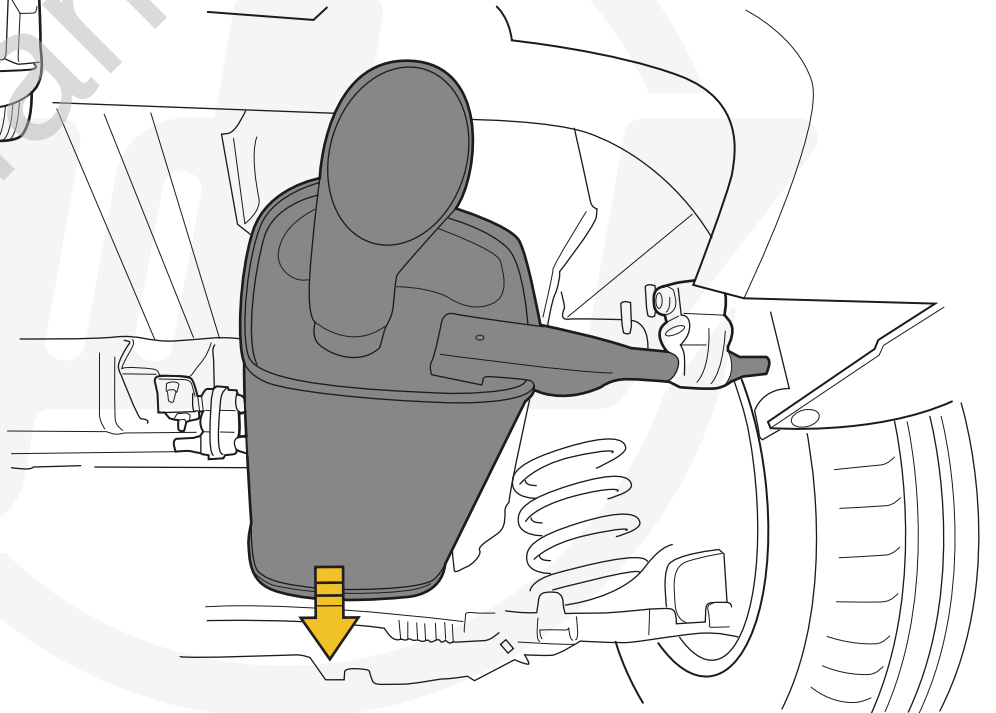
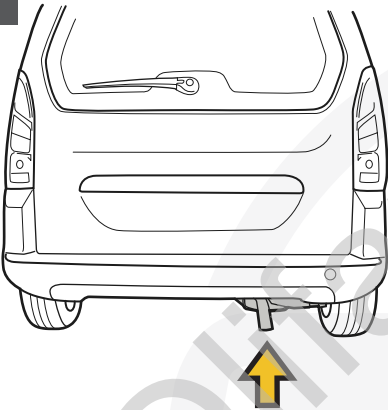
>> ONLY FOR RIFTER

>> ONLY FOR RIFTER

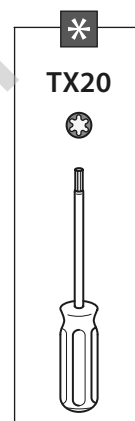
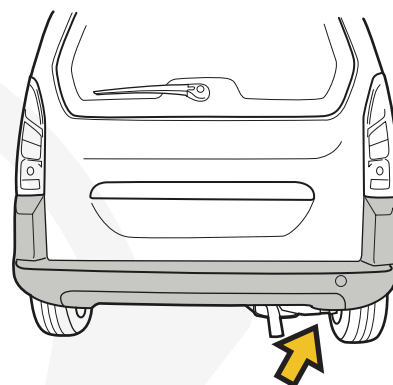
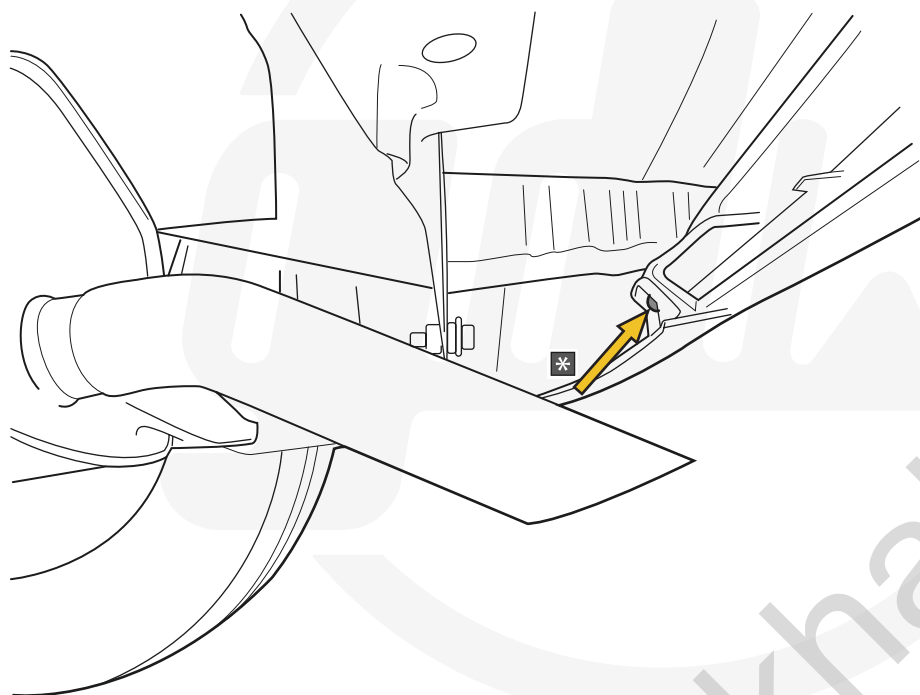
1



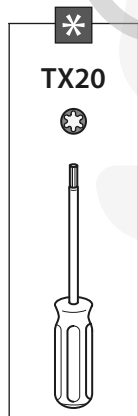
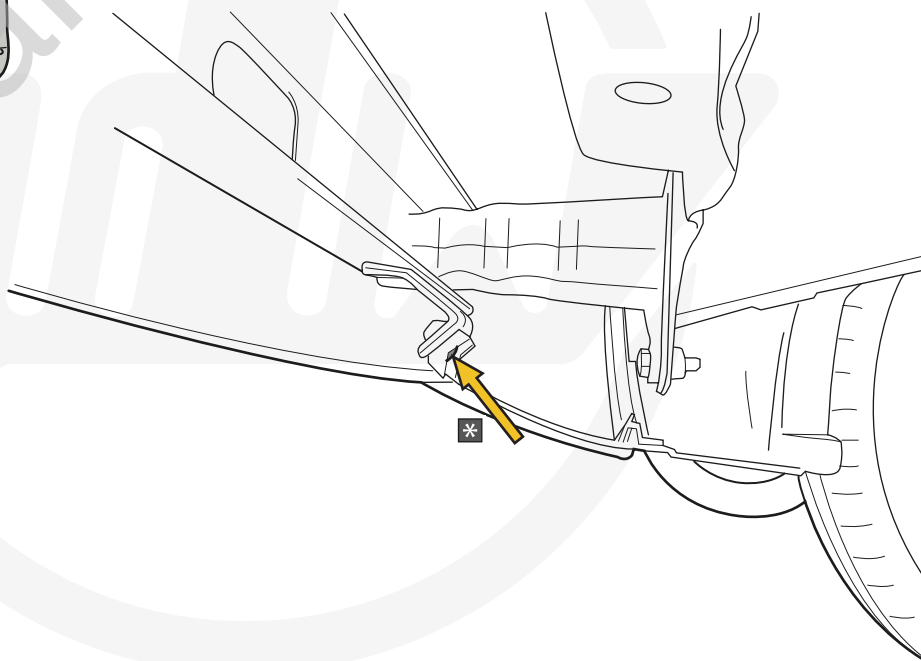
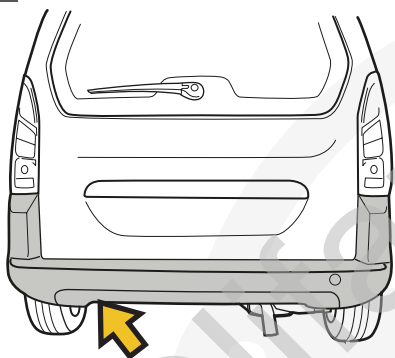
2



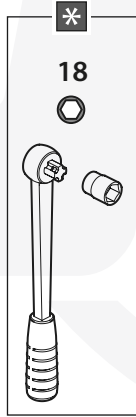
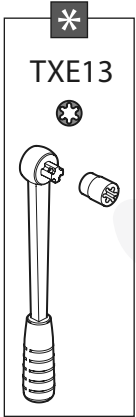
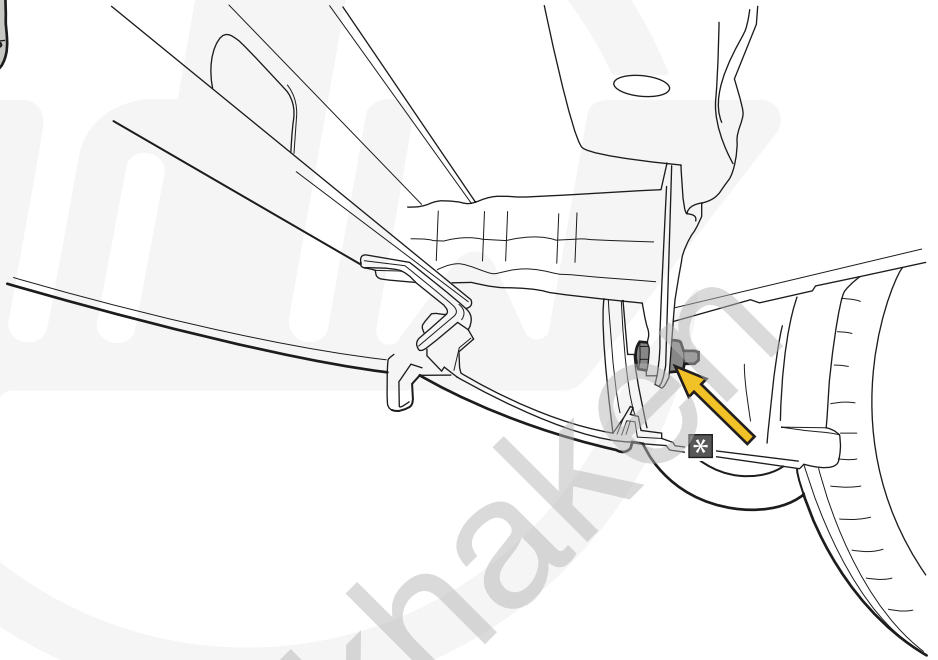
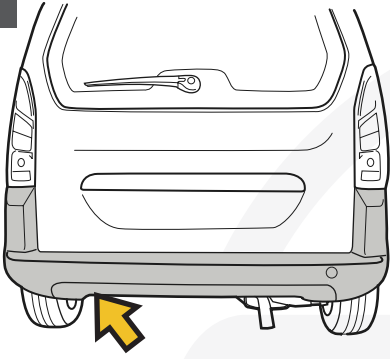
3



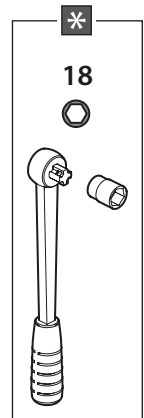
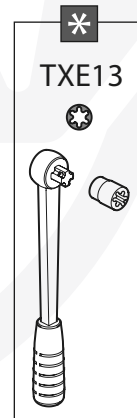
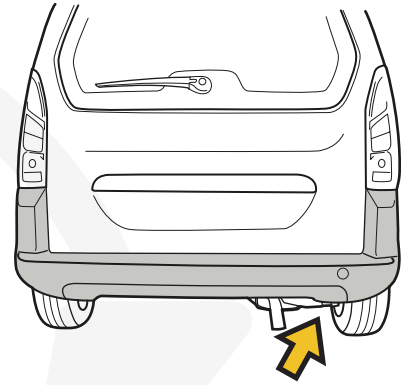
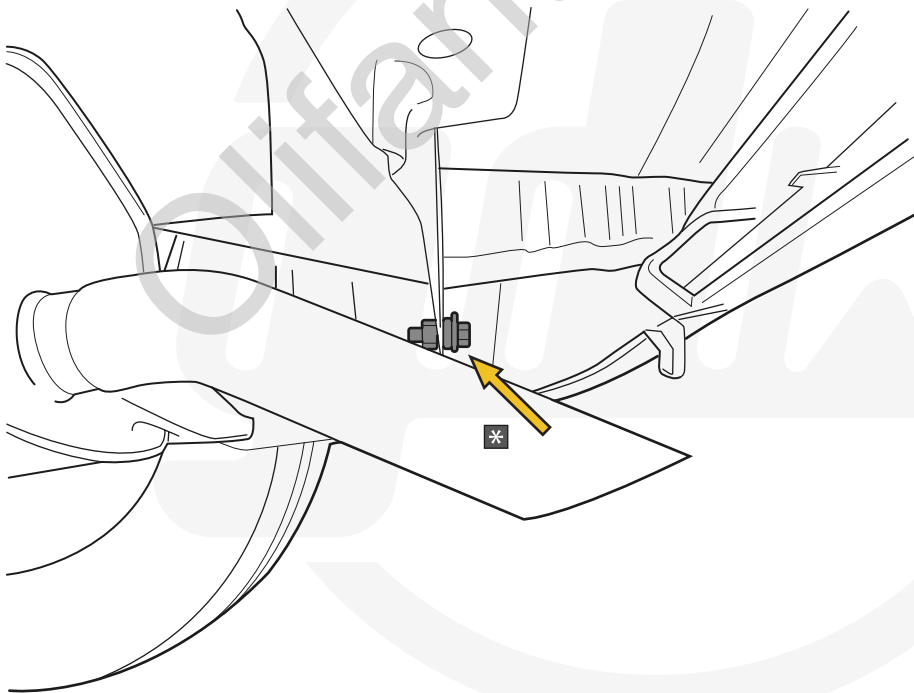
4



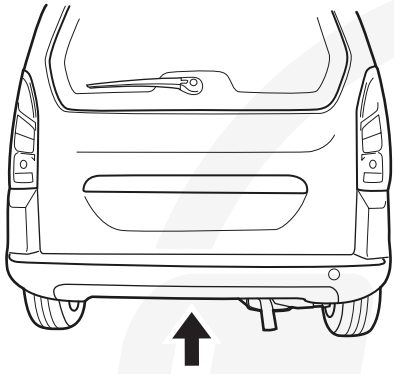
5



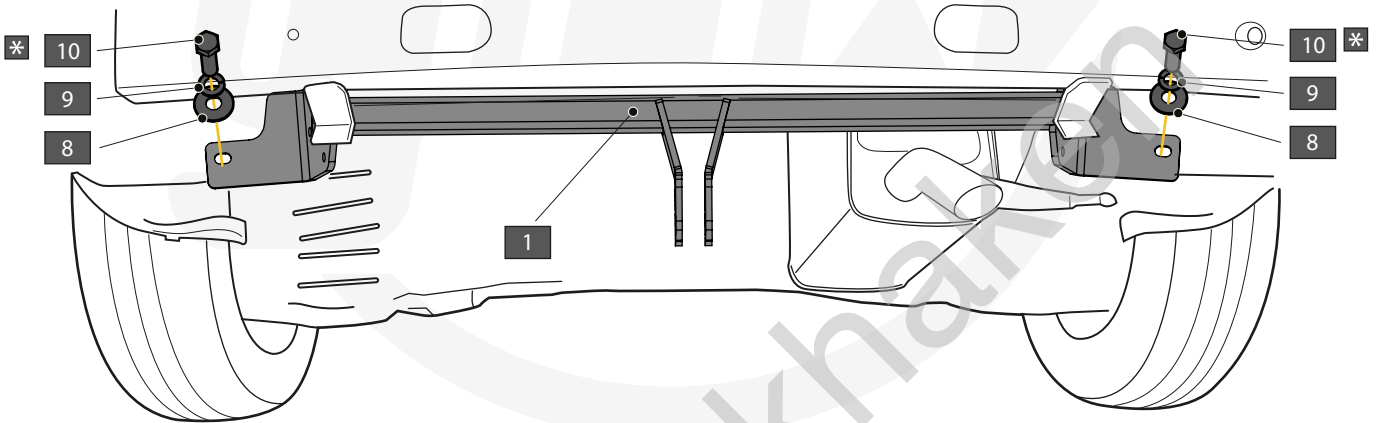
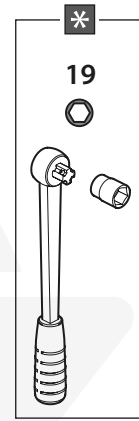
6



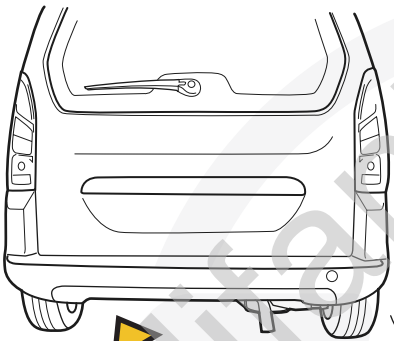
7



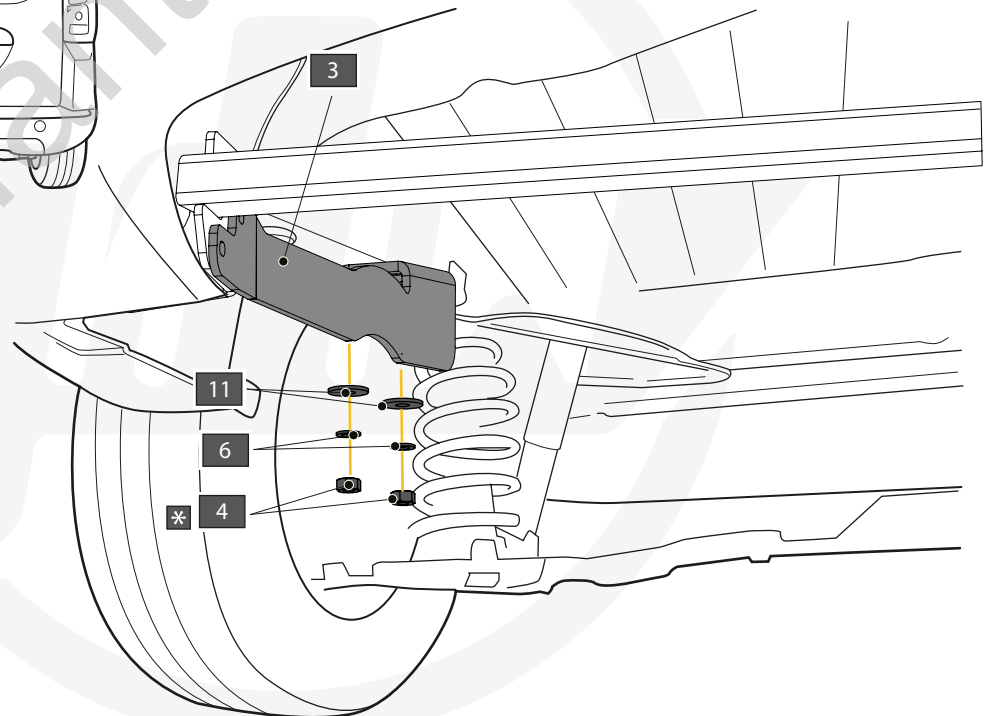
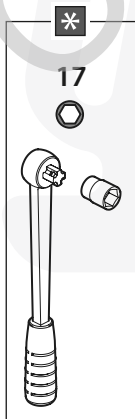
93,0 Nm



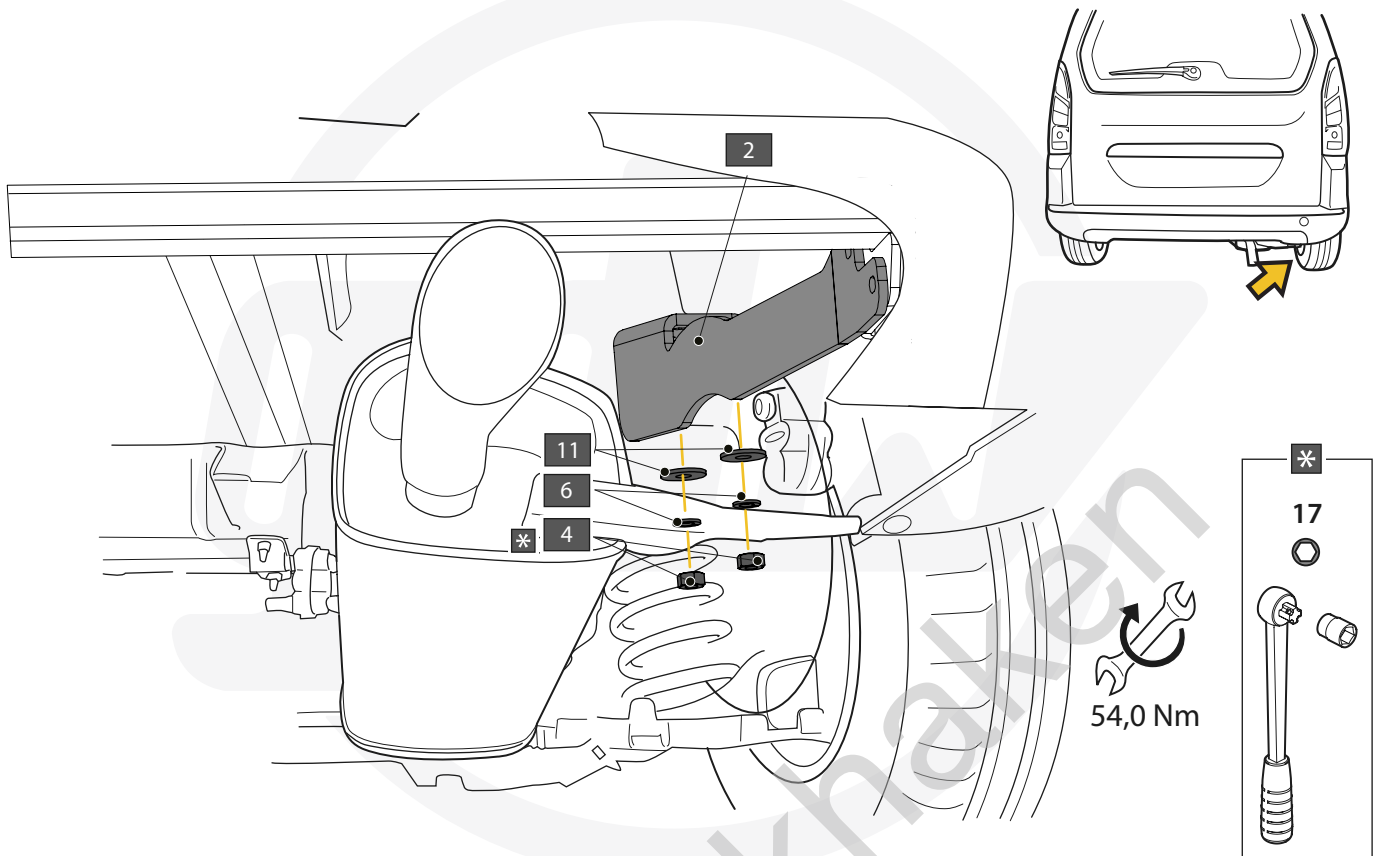
8



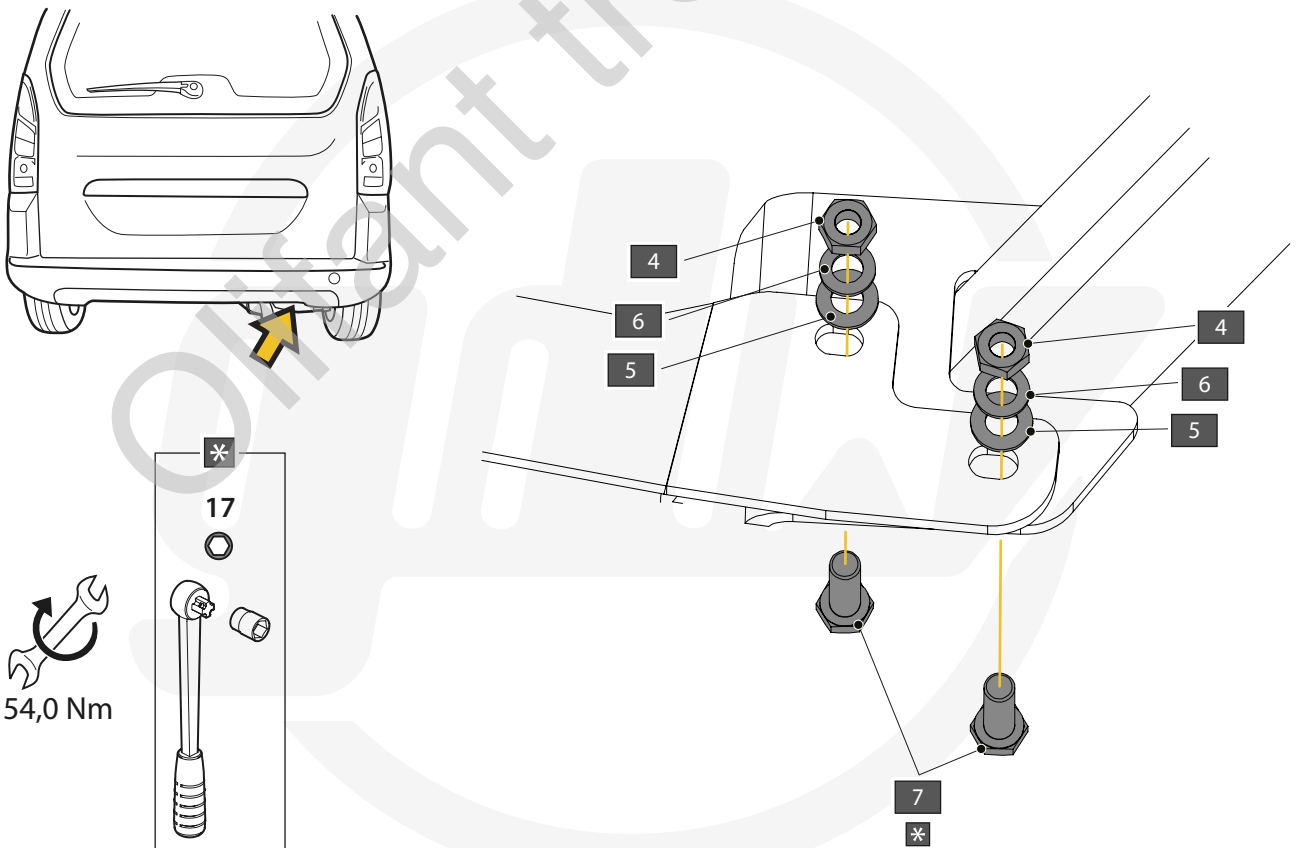
54,0 Nm

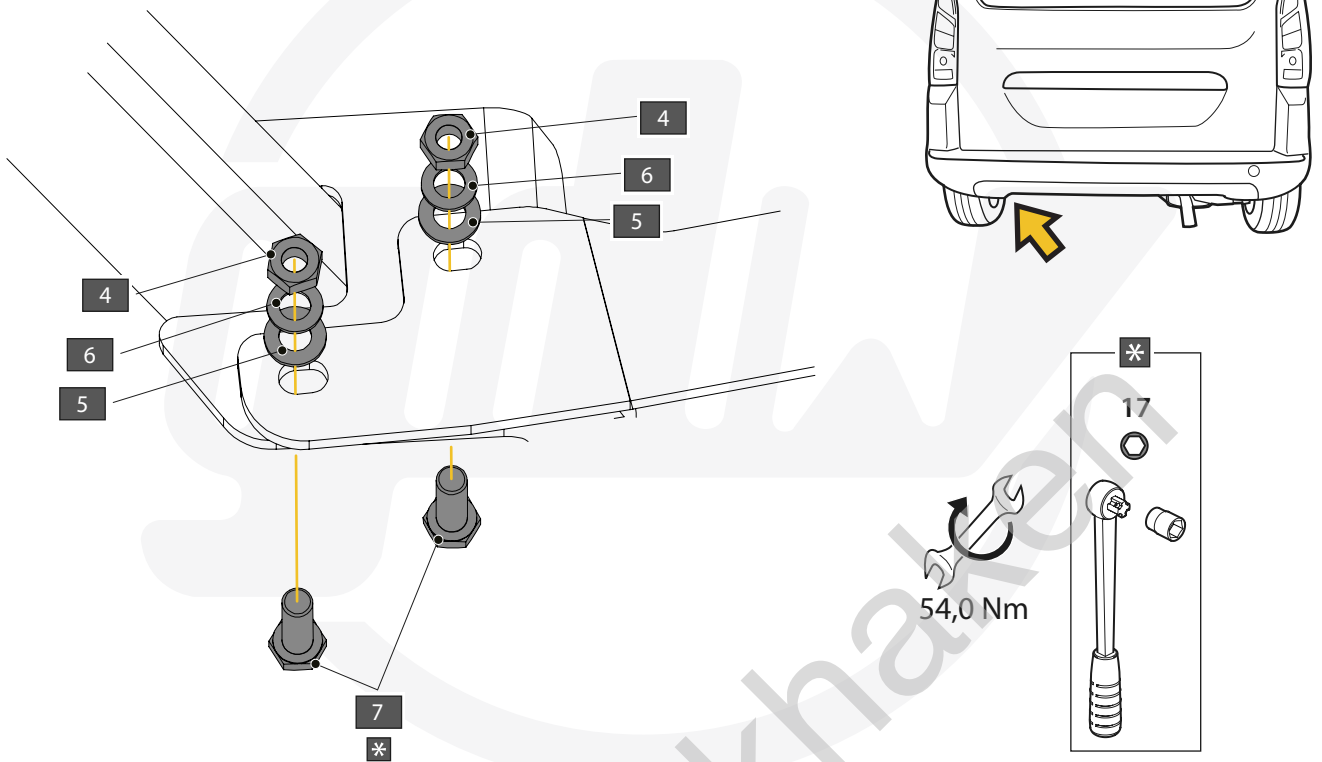


9



10

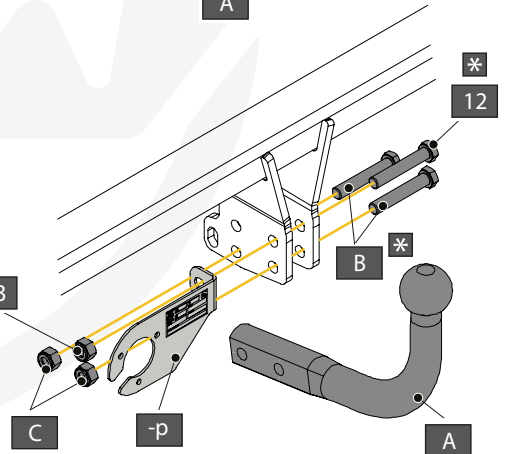
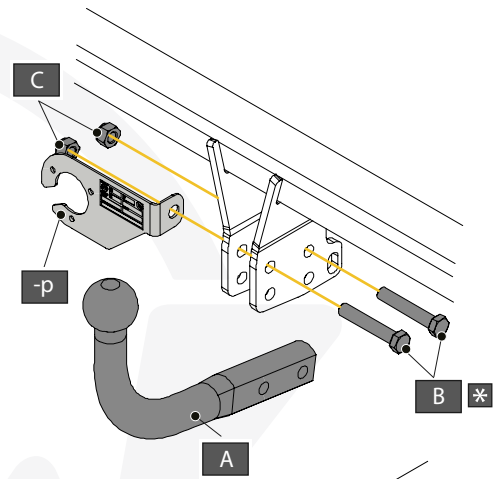
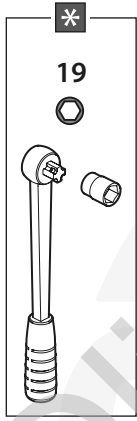




BERLINGO & COMBO

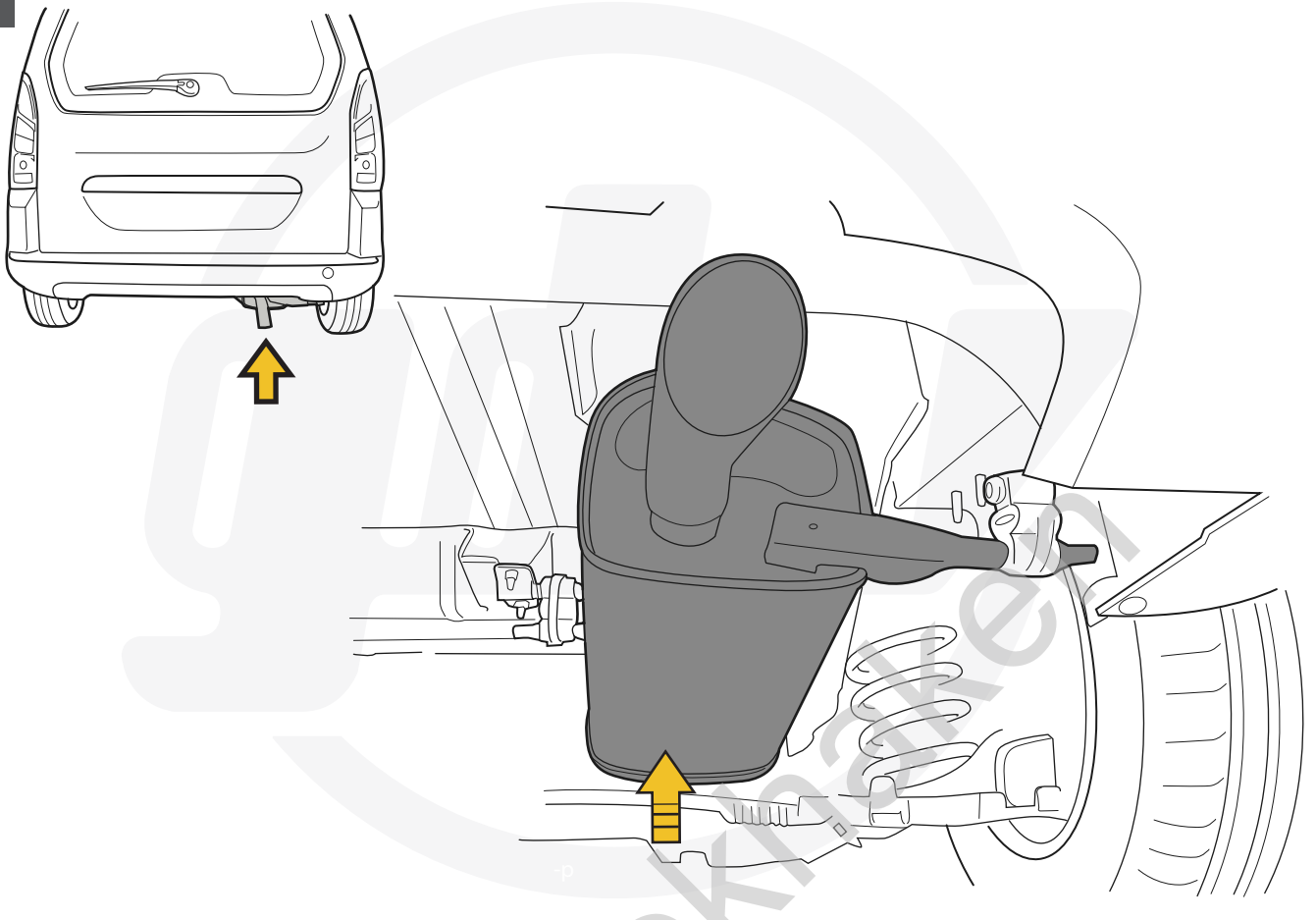
RIFTER

93,0 Nm

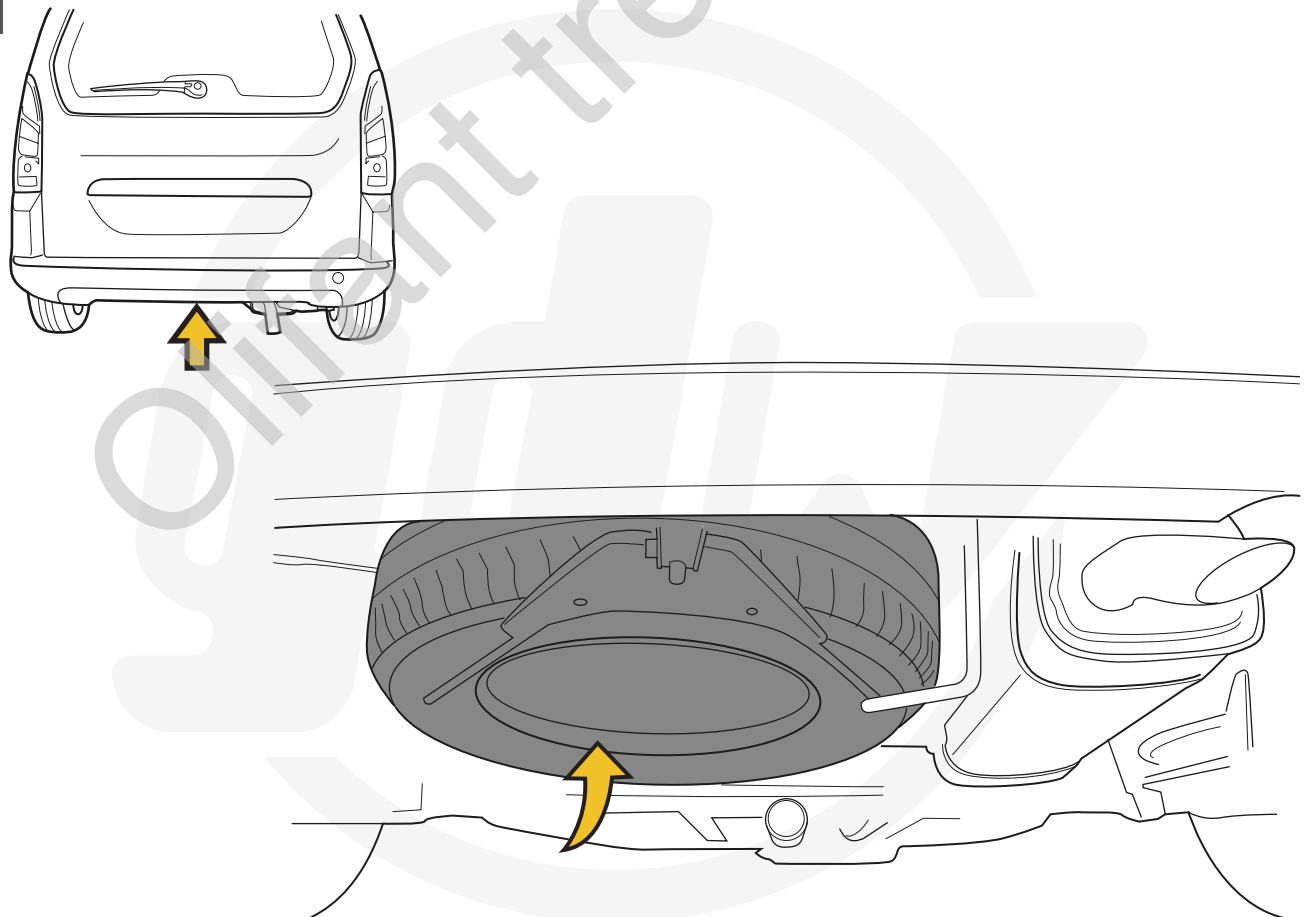


| | | | |
|---|--|----|-----------------|
| A | | X1 | 944.H035 |
| B | | X2 | DIN931-M12 X 70 |
| C | | X2 | DIN985-M12 |

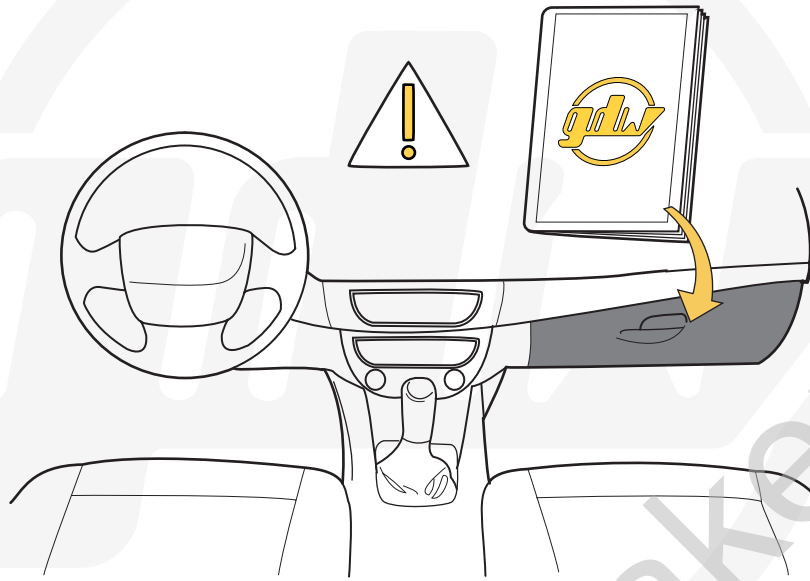
13



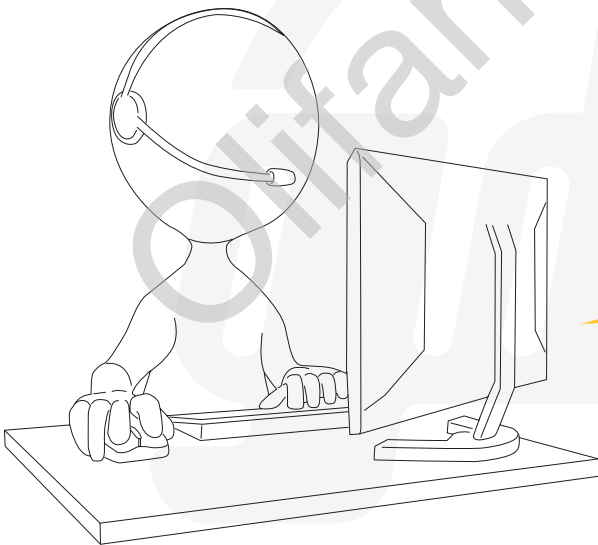
14



!



HELP



helpdesk@gdwtowbars.com

+32 56 62 77 79

| | | |
|-----------|---------------|---------------|
| Monday | 08:00 - 12:00 | 12:30 - 16:30 |
| Tuesday | 08:00 - 12:00 | 12:30 - 16:30 |
| Wednesday | 08:00 - 12:00 | 12:30 - 16:30 |
| Thursday | 08:00 - 12:00 | 12:30 - 16:30 |
| Friday | 08:00 - 12:00 | 12:30 - 15:30 |