



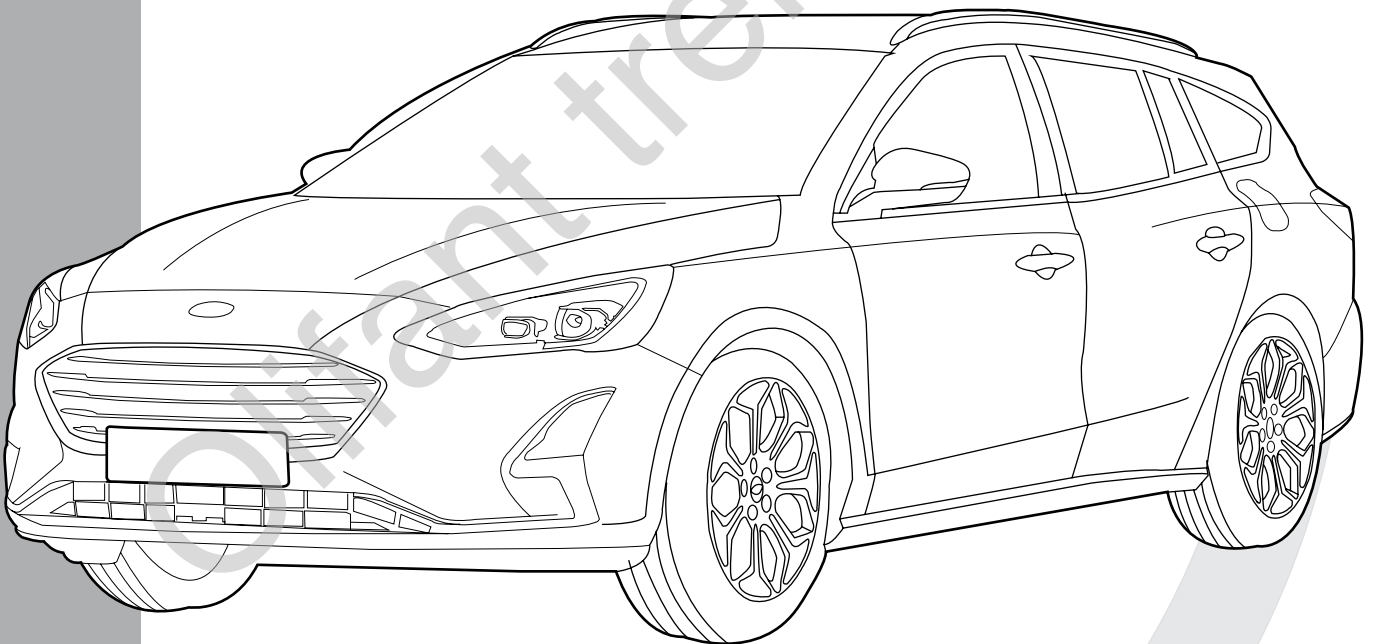
TREKHAKEN • ATTELAGES • ANHÄNGERVORRICHTUNGEN • TOWBARS • ENHANCES • ANHÆNGERTRÆK
Montagehandleiding | instructions de montage | Einbauanleitung | Mounting instruction
Instrucciones de montaje | monteringsvejledning




Ford Focus IV Clipper (HP)

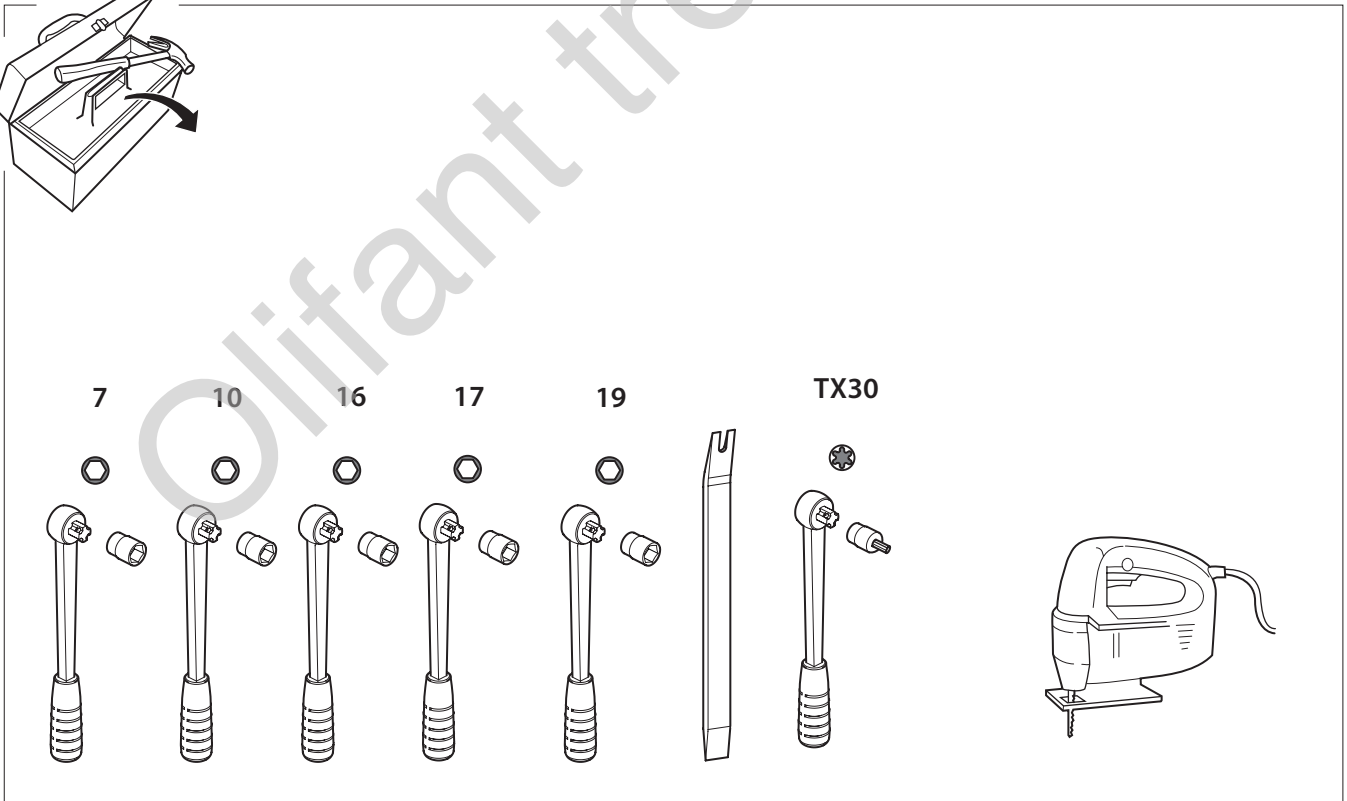
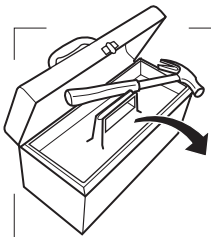
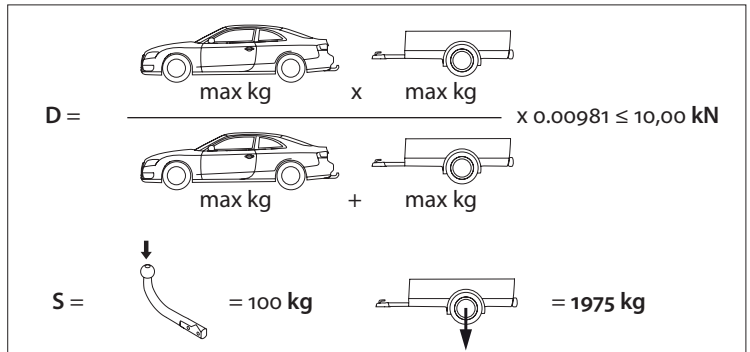
09/'18-

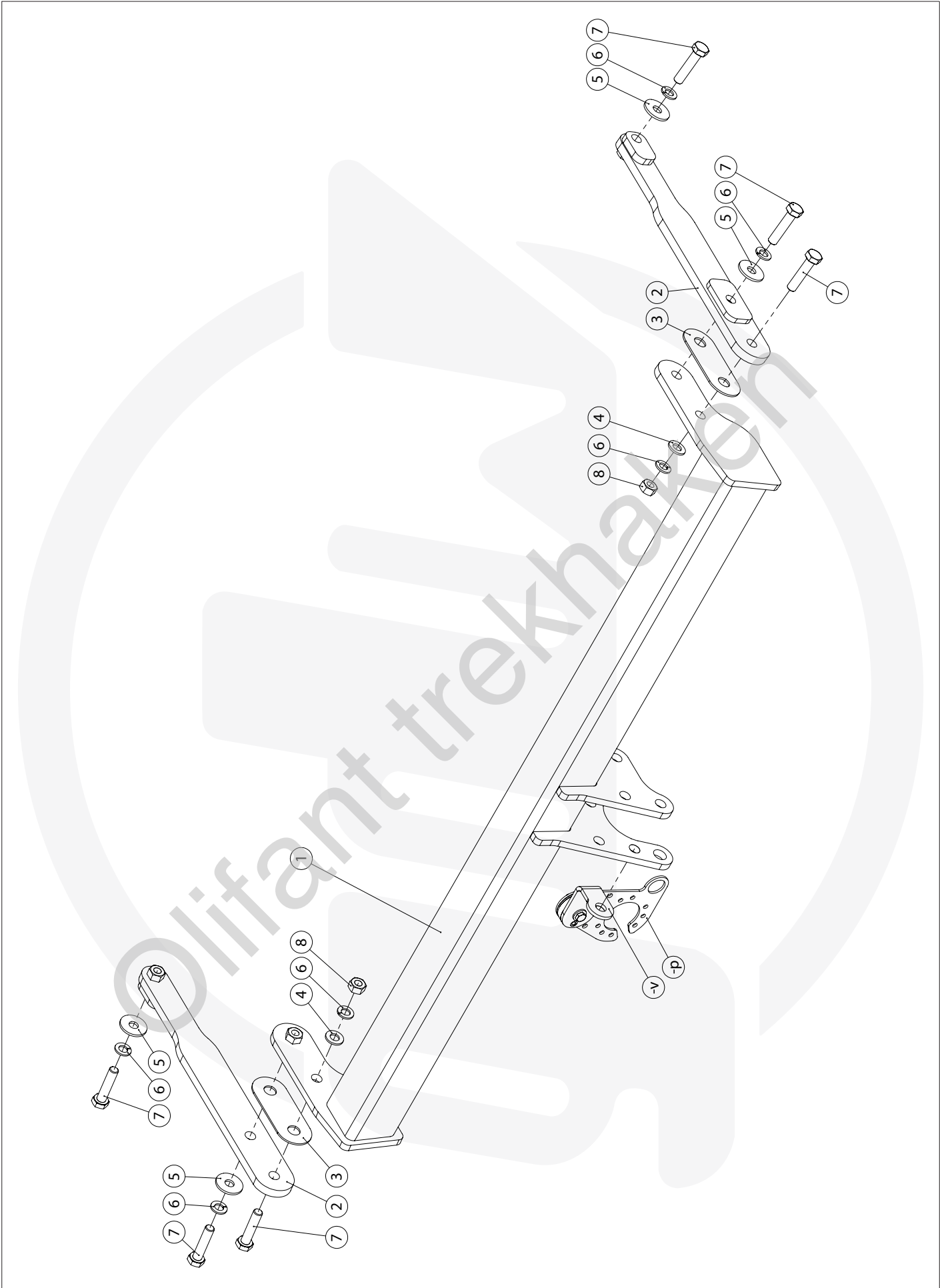
- BASIC
- ST-LINE
- SMART DOOR OPENER
- VIGNALE
- ST3
- ACTIVE

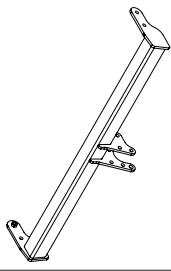
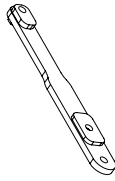
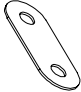





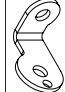


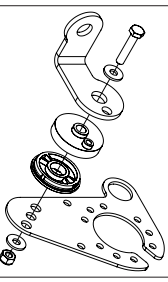

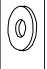


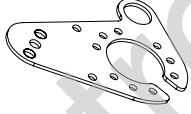

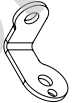
See the Certificate Of Conformity (COC) of your vehicle or contact your dealer to verify the max. trailer weight of your car!

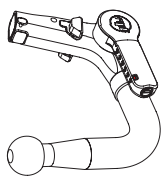

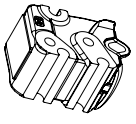
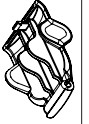

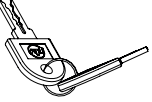

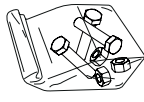



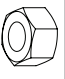
MADE BY	D 10,00	F	E6
		EC APPROVAL N°	
BELGIUM	S 100	55R-011512	
REF N°	SERIE N°		
2355T60			
OMSCHRIJVING			
Ford Focus IV Clipper 09/'18-			



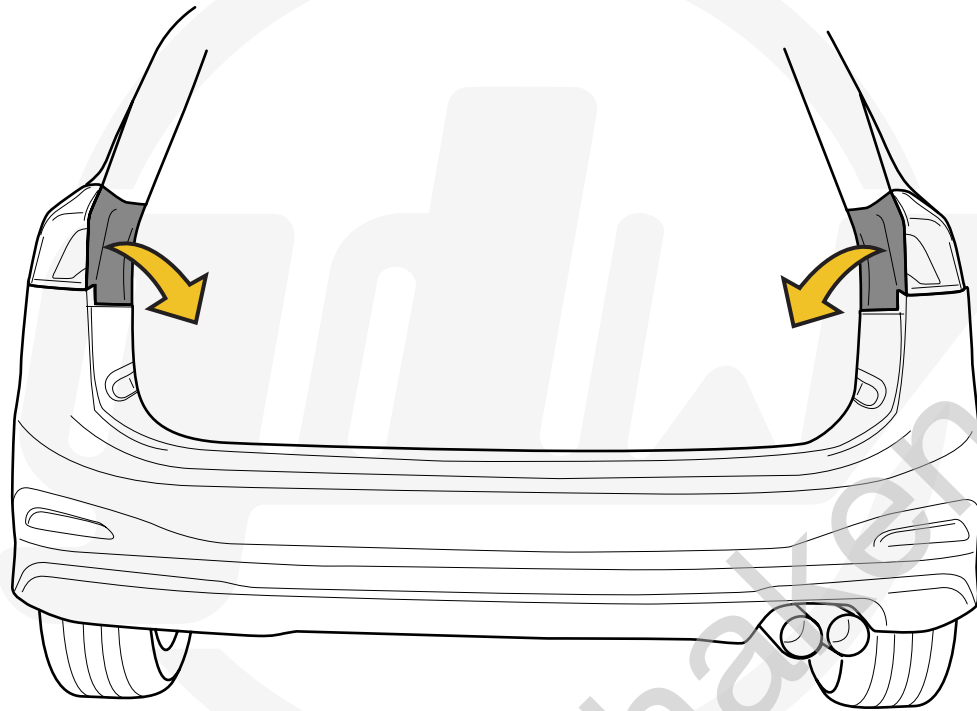


1		X1	GDW REF. 2355160
2		X2	GDW REF. 2
3		X2	GDW REF. 3
4		X2	DIN125-A10-140HV-ELVZ
5		X4	DIN9021-M10-ELVZ
6		X6	DIN128A-M10
7		X6	DIN933-M10X45 10.9
8		X2	DIN934-M10 KL10
-V		X1	GDW REF. 908.097

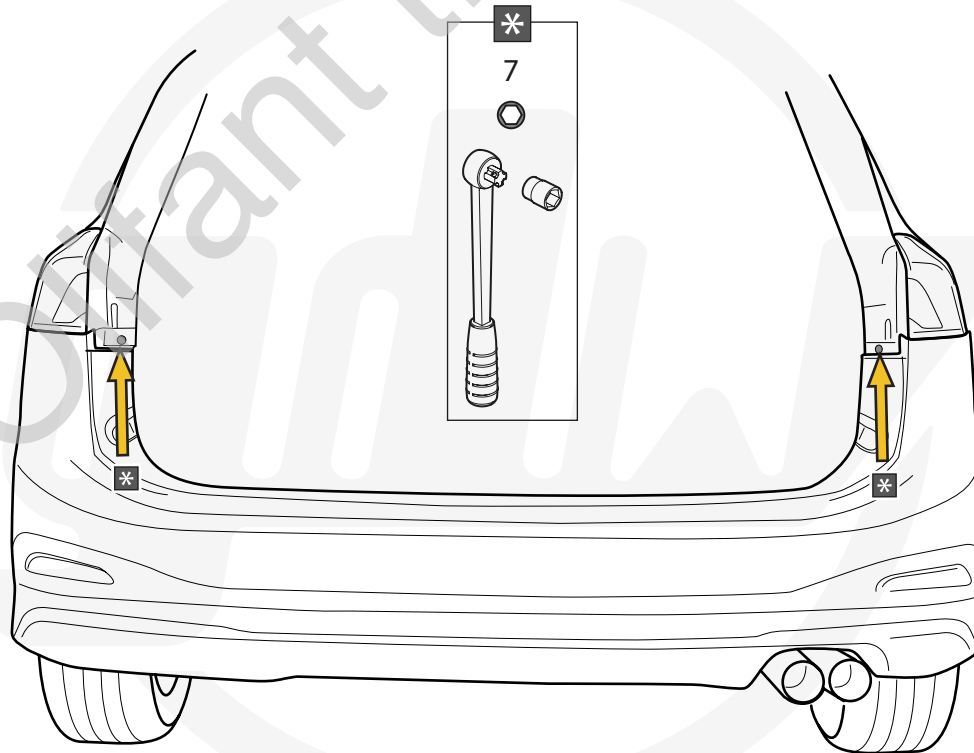
-P		X1	GDW REF. P40
↳		X1	DIN985-M6
↳		X2	6,2 X 15,4 X 1,6 (NYLON)
↳		X1	GDW REF. 718.16.002
↳		X1	GDW REF. 718.16.003
↳		X1	GDW REF. 908.094
↳		X1	DIN933-M6 X 30
↳		X1	GDW REF. 908.096

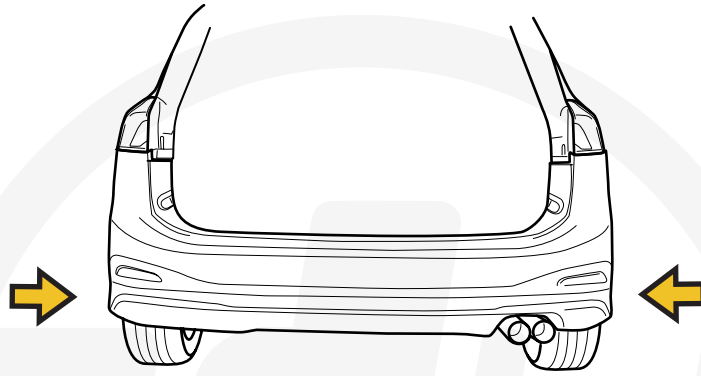
Geleverd met - Livré avec - Delivered with Geliefert mit - Elementos adjuntos-Leveres med		X1	GDW REF. 960.V1012
	↳ 	X1	GDW REF. 740.200
		X1	GDW REF. 912.003
	↳ 	X1	GDW REF. 740.112
	↳ 	X1	GDW REF. 740.111
		X1	GDW REF. 740.114
		X1	GDW REF. 718.15.001
		X1	GDW REF. SYST60-10
	↳ 	X3	DIN931-M12X110-8.8
	↳ 	X3	DIN128A-M12
	↳ 	X6	DIN125A-M12
	↳ 	X3	DIN934-M12

1

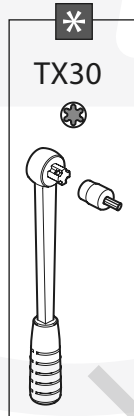
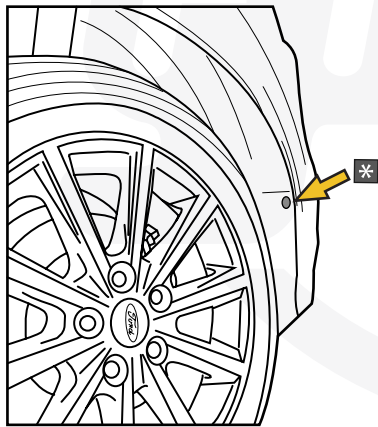


2

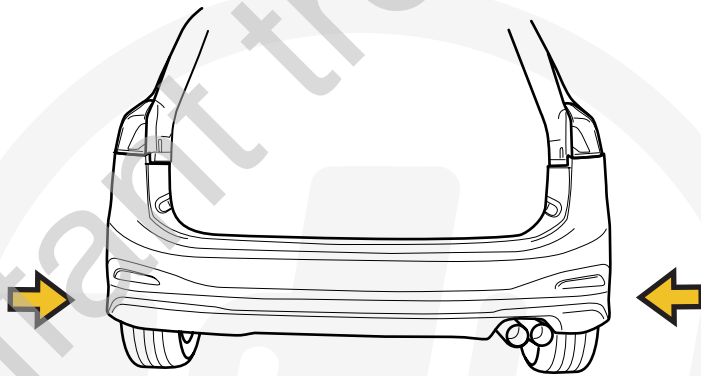
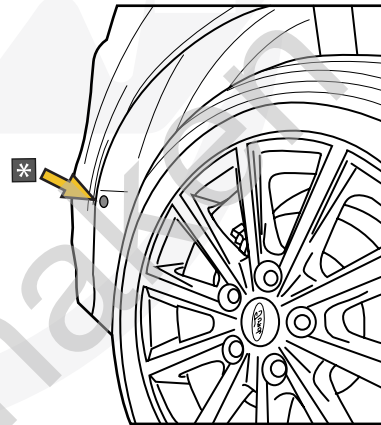




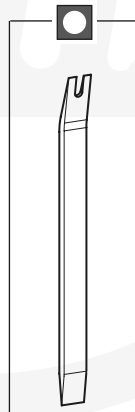
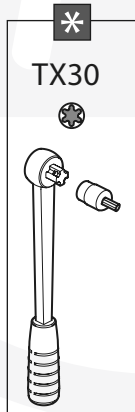
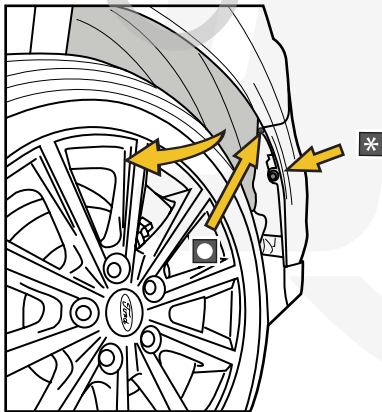
1



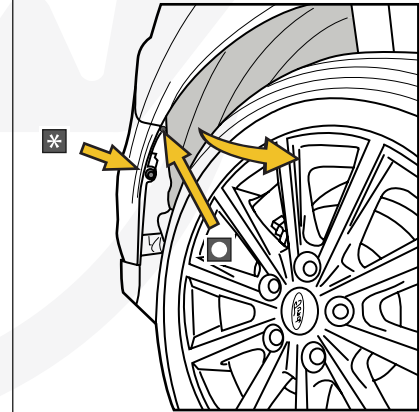
2



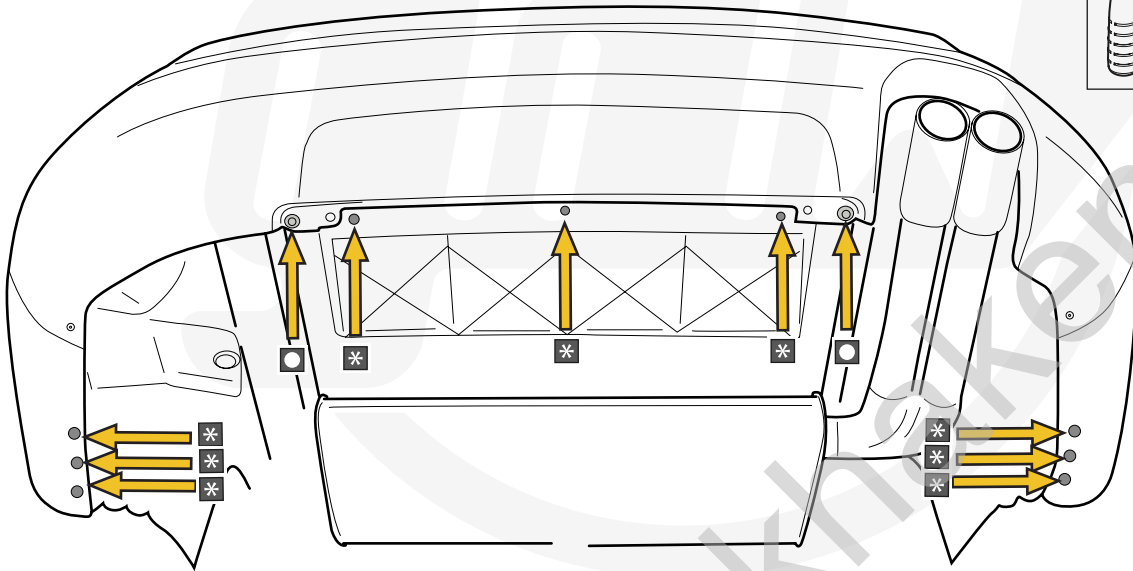
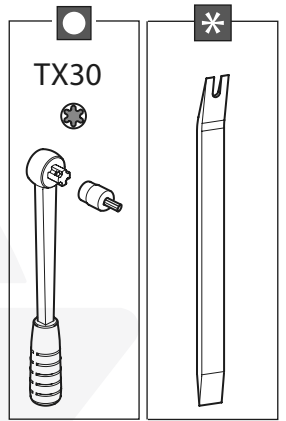
1



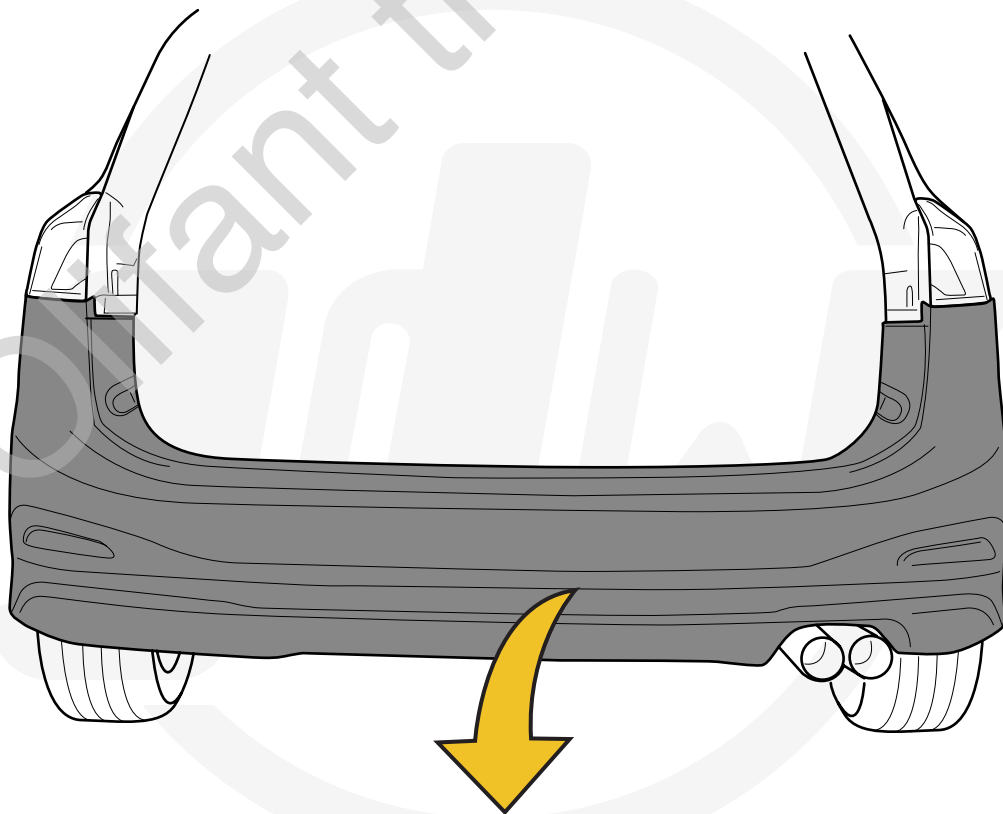
2

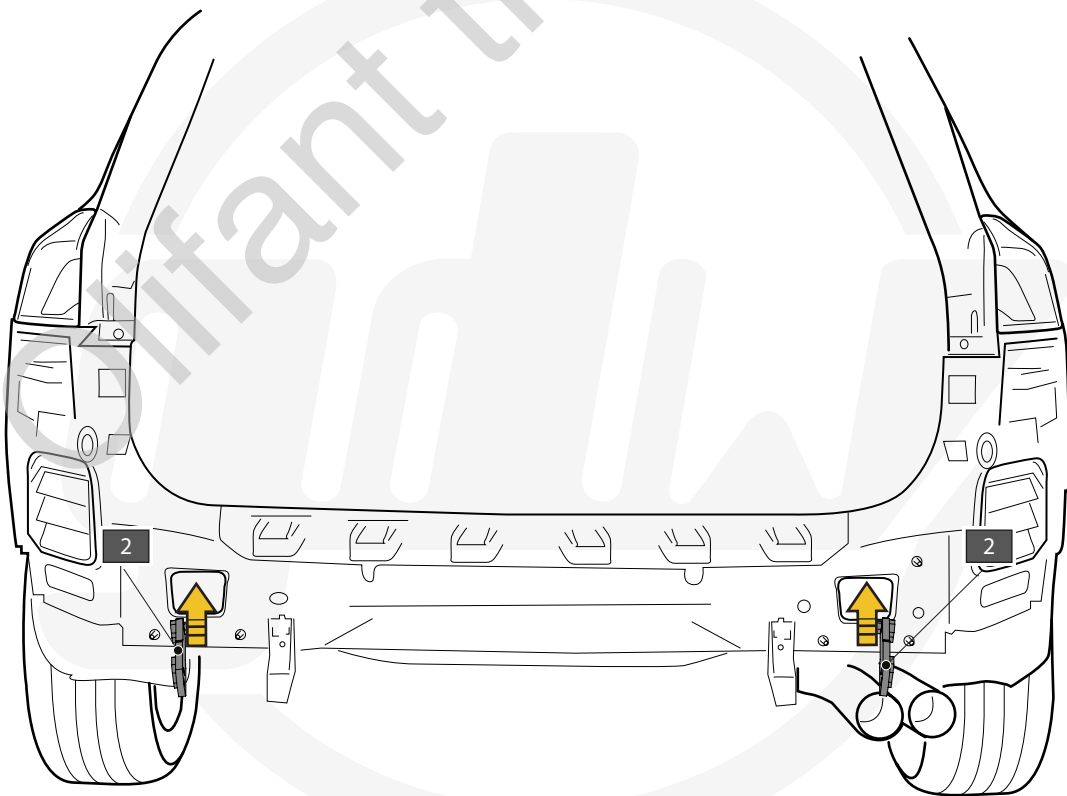
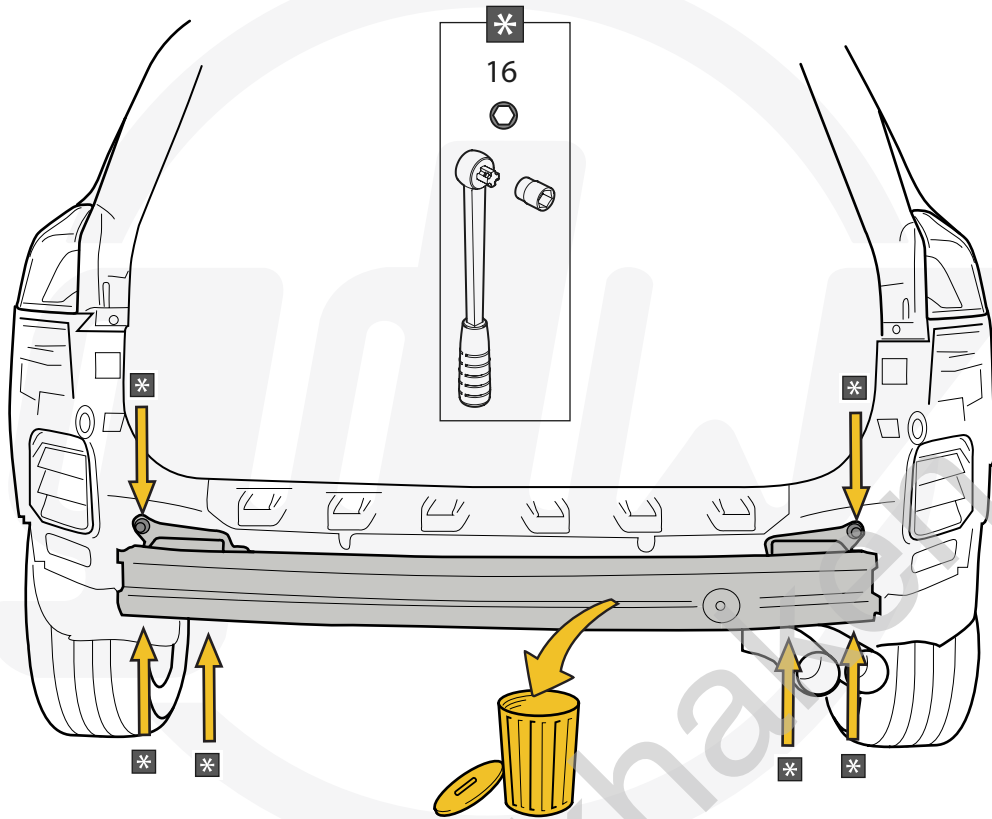


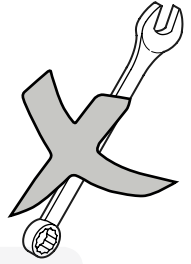
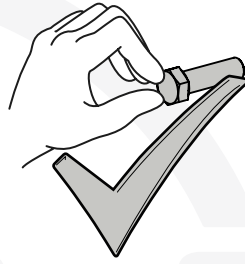
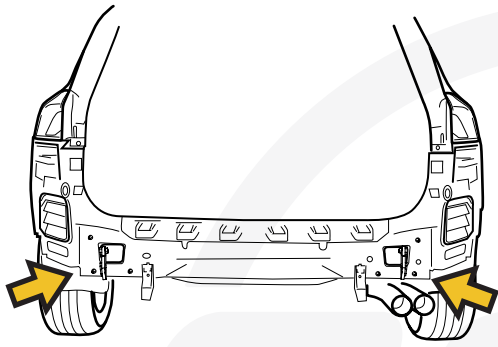
5



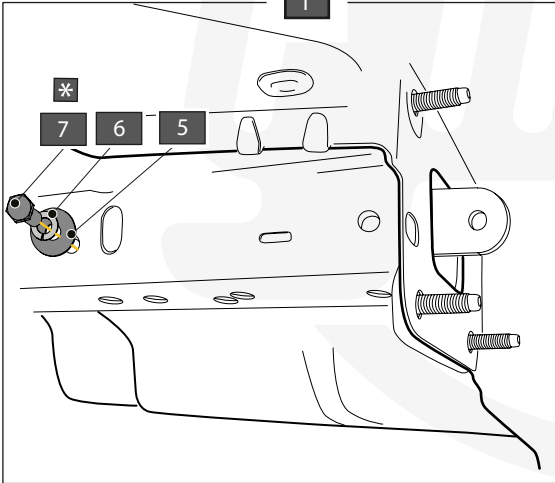
6



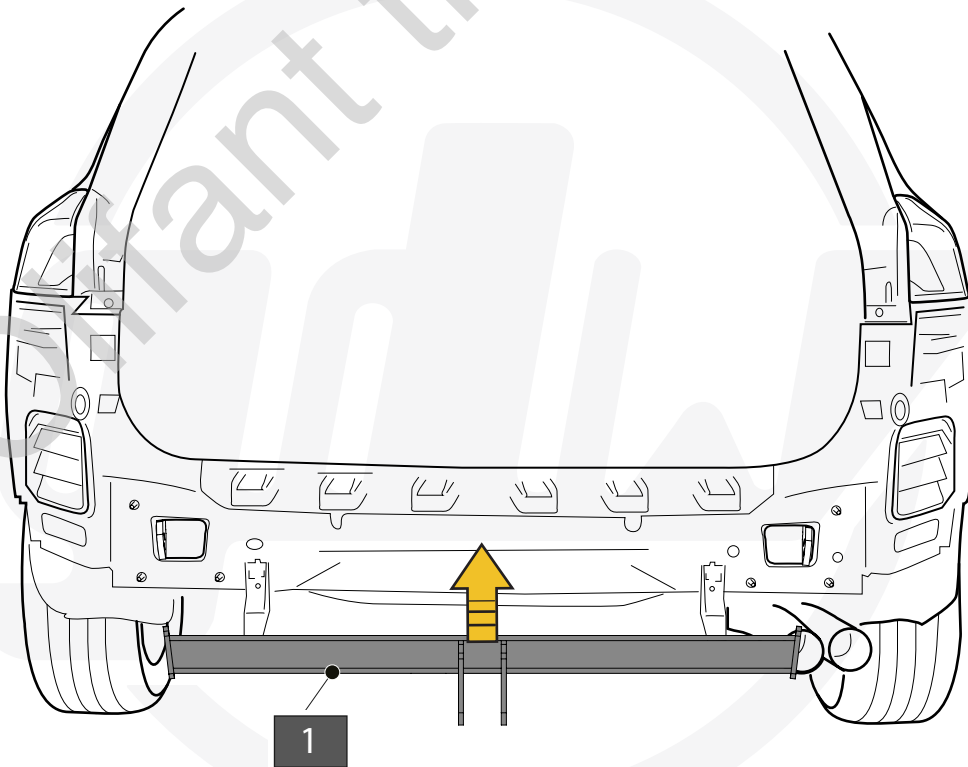
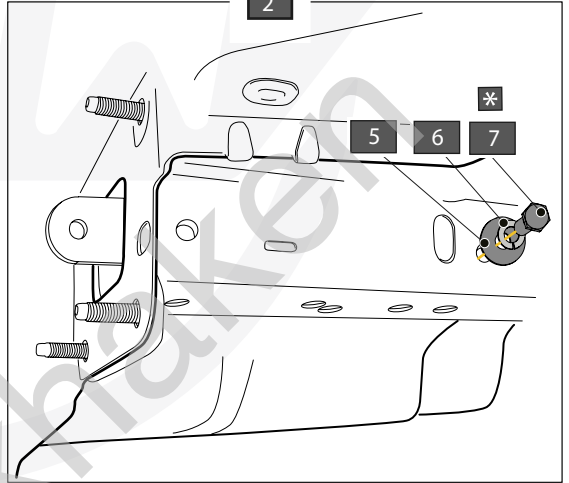




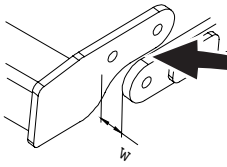
1



2

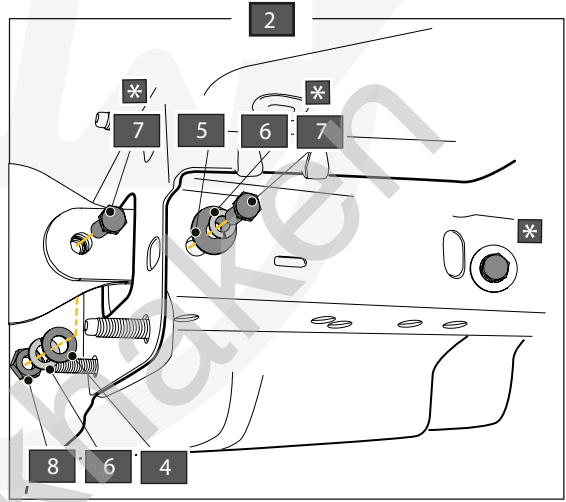
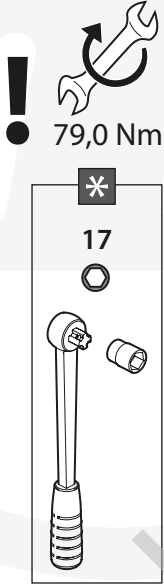
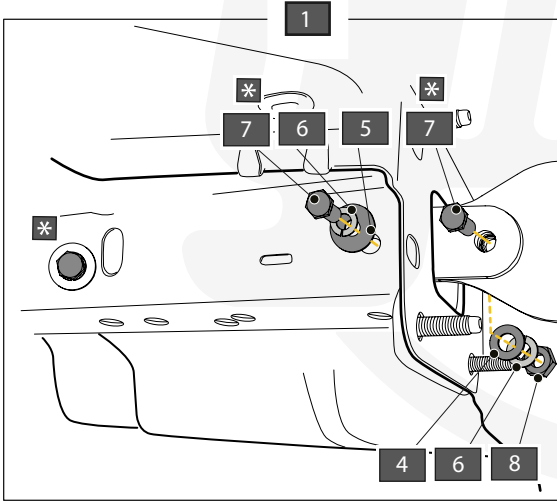
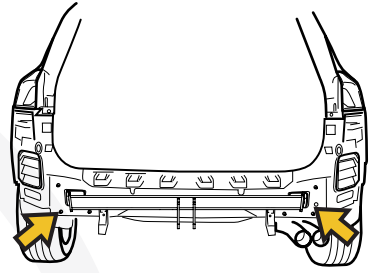


11

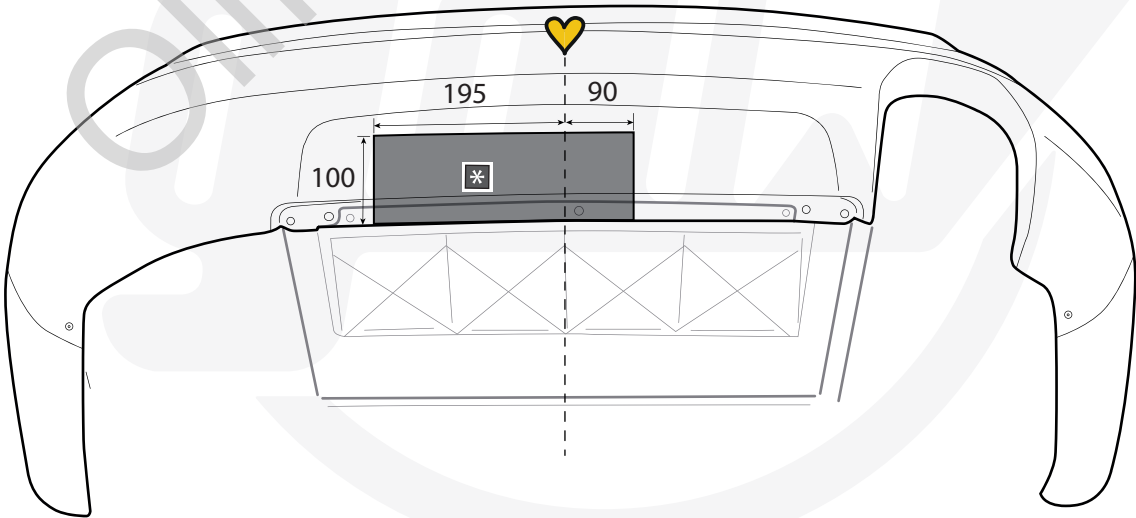
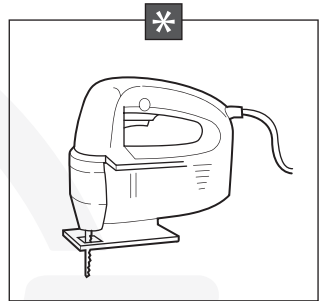


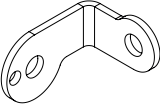




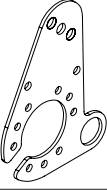
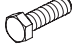
X < 2 mm 2 X < 4 mm 4 X < 6 mm

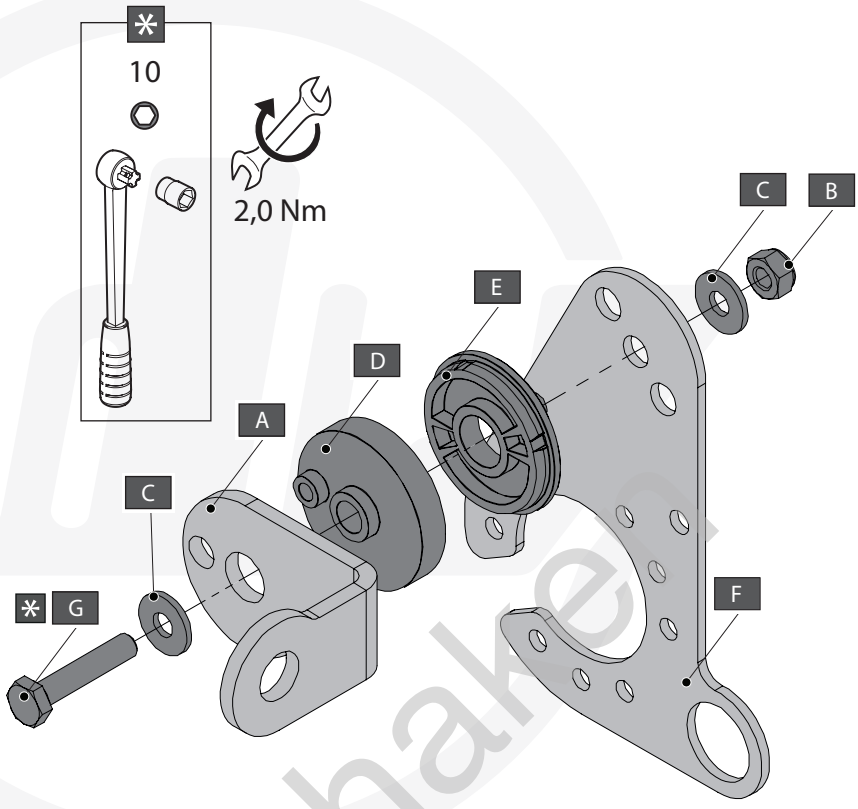
~~3~~ 3 (R) 4 (L + R)








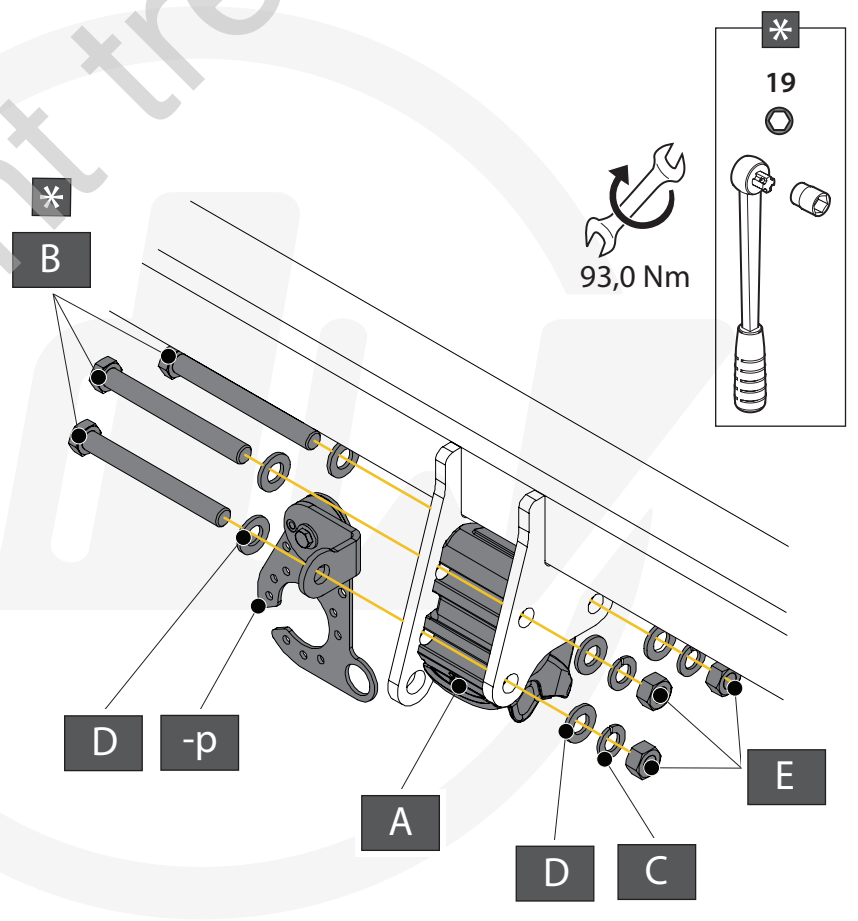
12

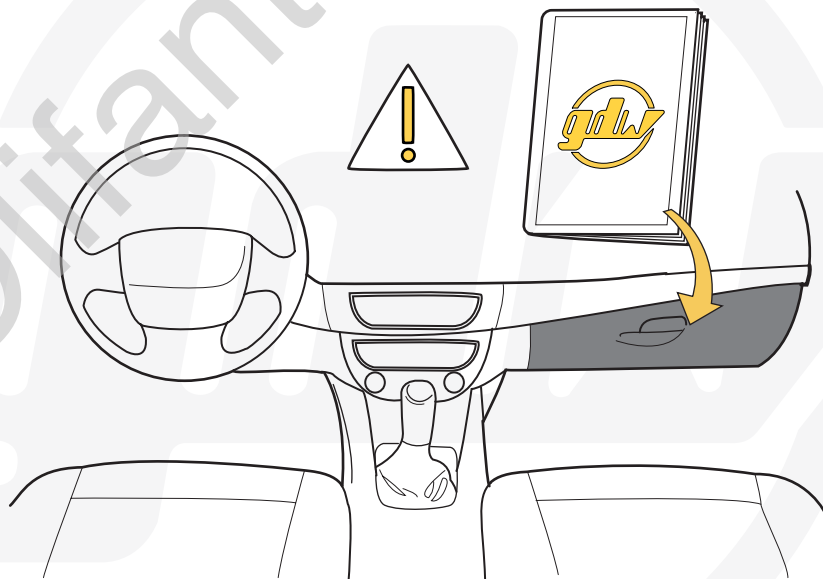
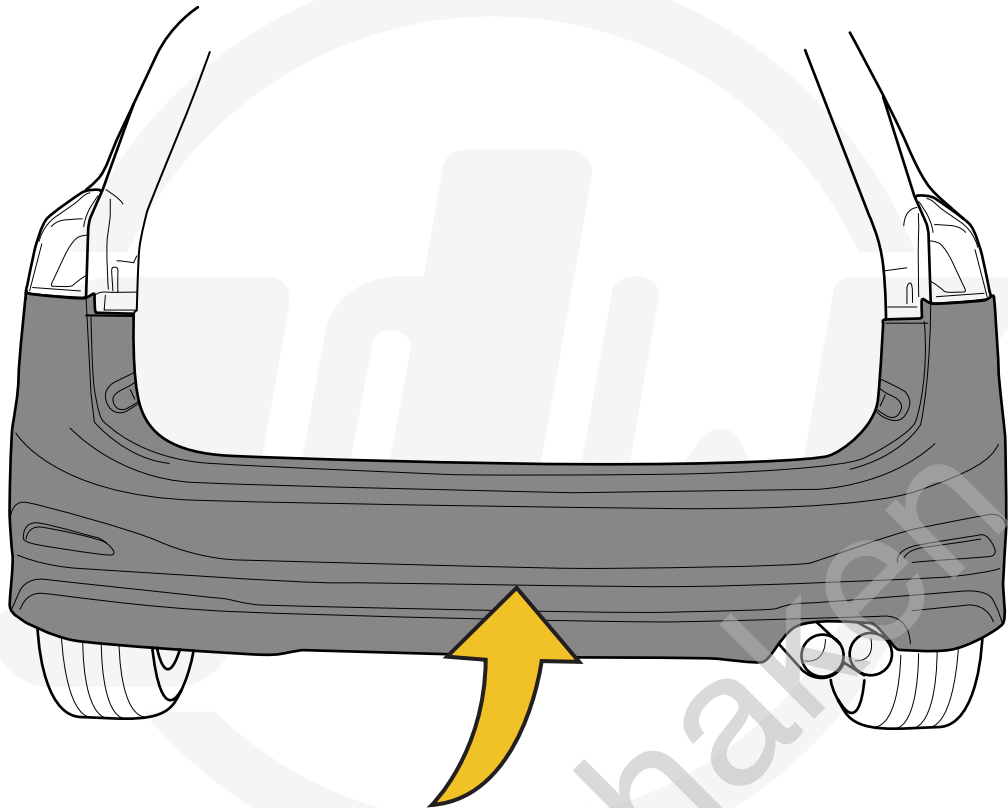


A		X1	GDW REF. 908.096
B		X1	DIN985-M6
C		X2	6,2 X 15,4 X 1,6 (NYLON)
D		X1	GDW REF. 718.16.002
E		X1	GDW REF. 718.16.003
F		X1	GDW REF. 908.094
G		X1	DIN933-M6 X 30



A		X1	GDW REF. 912.003
B		X3	DIN931-M12X110-8.8
C		X3	DIN128A-M12
D		X6	DIN125A-M12
E		X3	DIN934-M12







helpdesk@gdwtowbars.com
+32 56 62 77 79

Monday	08:00 - 12:00	12:30 - 16:30
Tuesday	08:00 - 12:00	12:30 - 16:30
Wednesday	08:00 - 12:00	12:30 - 16:30
Thursday	08:00 - 12:00	12:30 - 16:30
Friday	08:00 - 12:00	12:30 - 15:30

Olifant trekhaken