



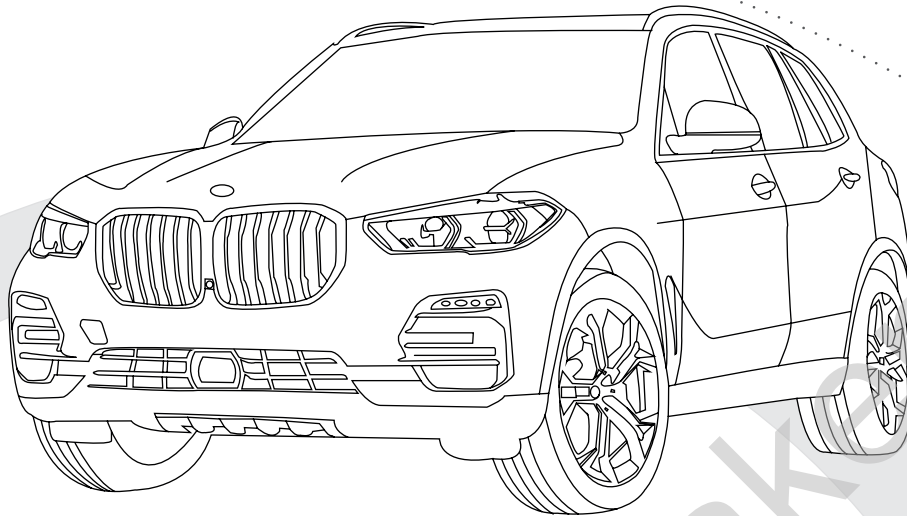
TREKHAKEN • ATTELAGES • ANHÄNGERVORRICHTUNGEN • TOWBARS • ENHANCES • ANHÆNGERTRÆK

Montagehandleiding | instructions de montage | Einbauanleitung | Mounting instruction
Instrucciones de montaje | monteringsvejledning

BMW X5 (type G05)
08/'18-

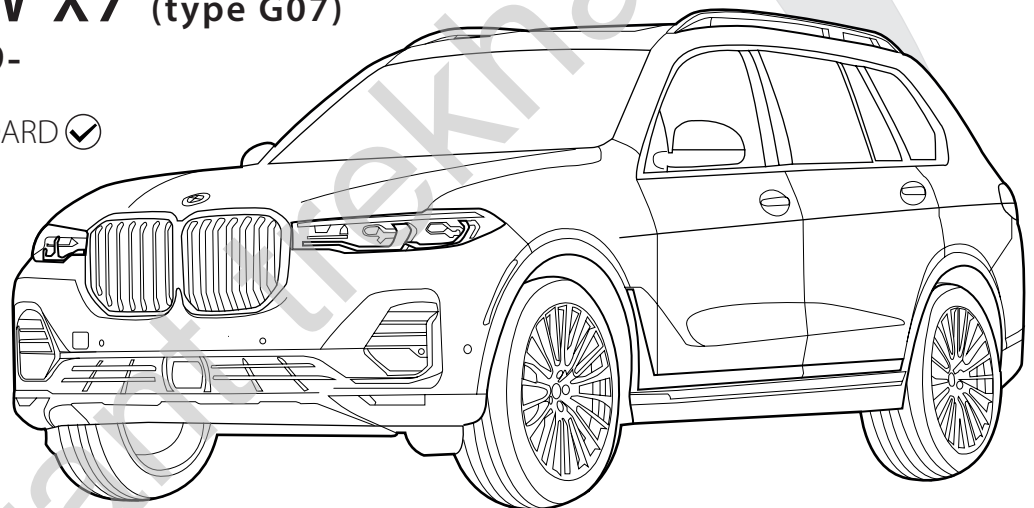
STANDARD ✓

M SPORT PACKAGE ✓



BMW X7 (type G07)
03/'19-

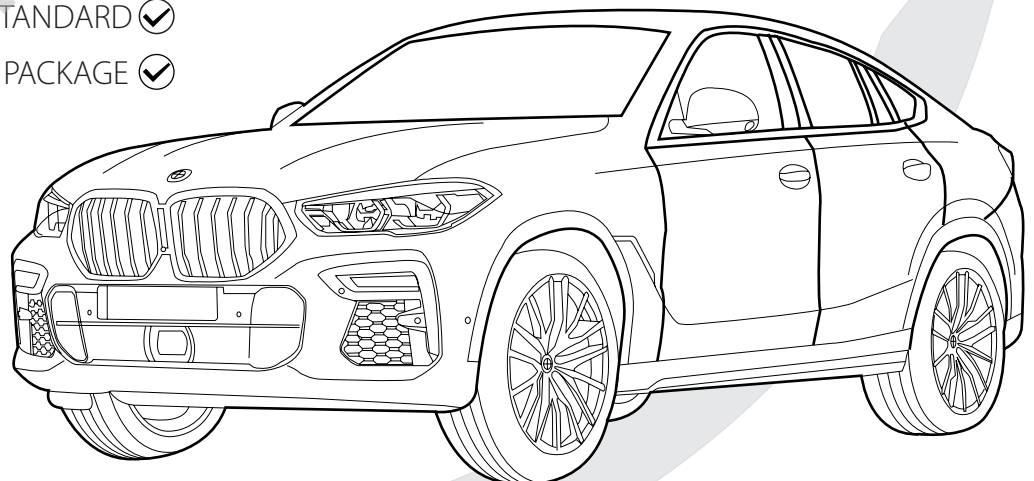
STANDARD ✓




BMW X6 (type G06, F96)
08/'19-

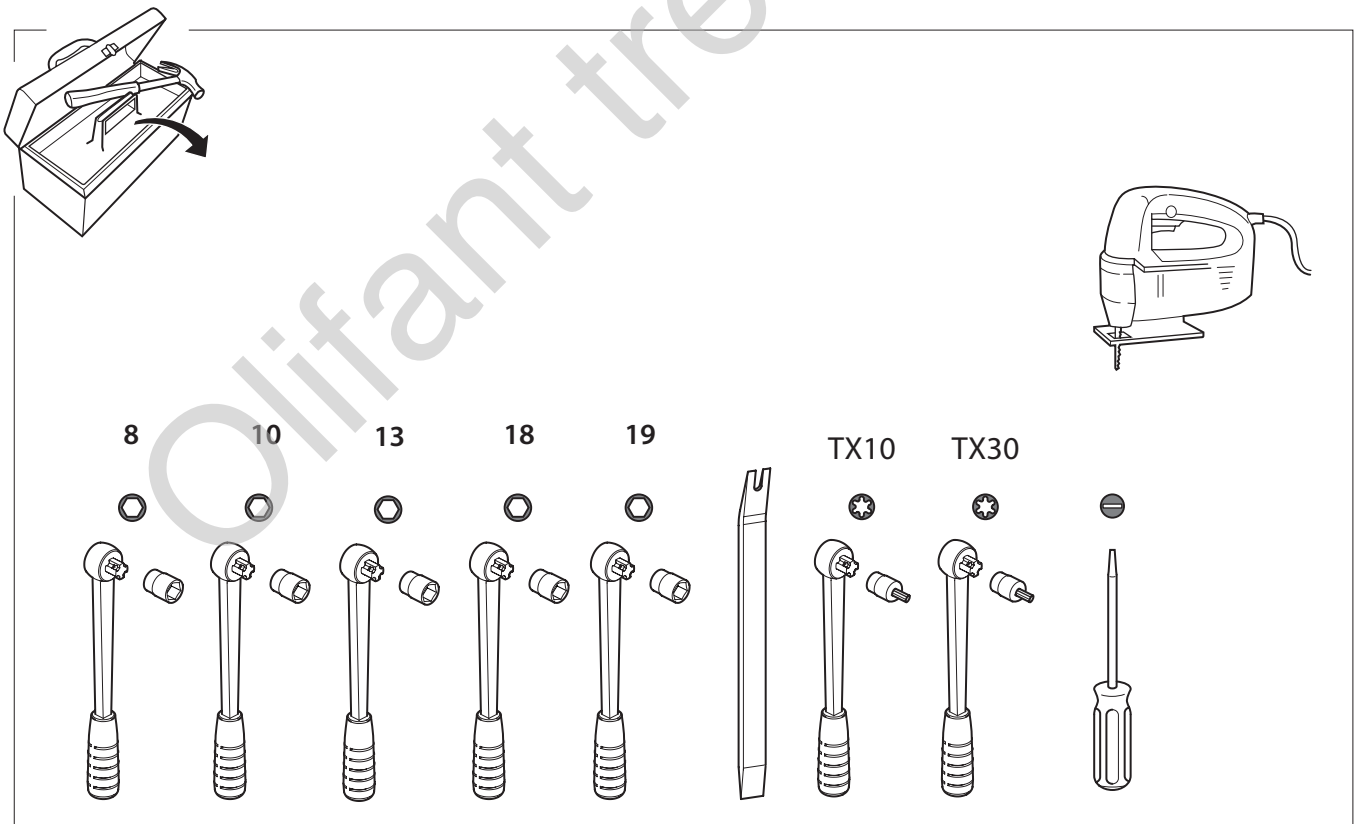
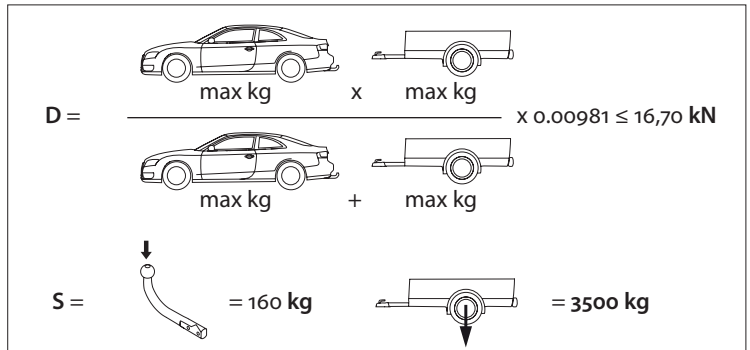
STANDARD ✓

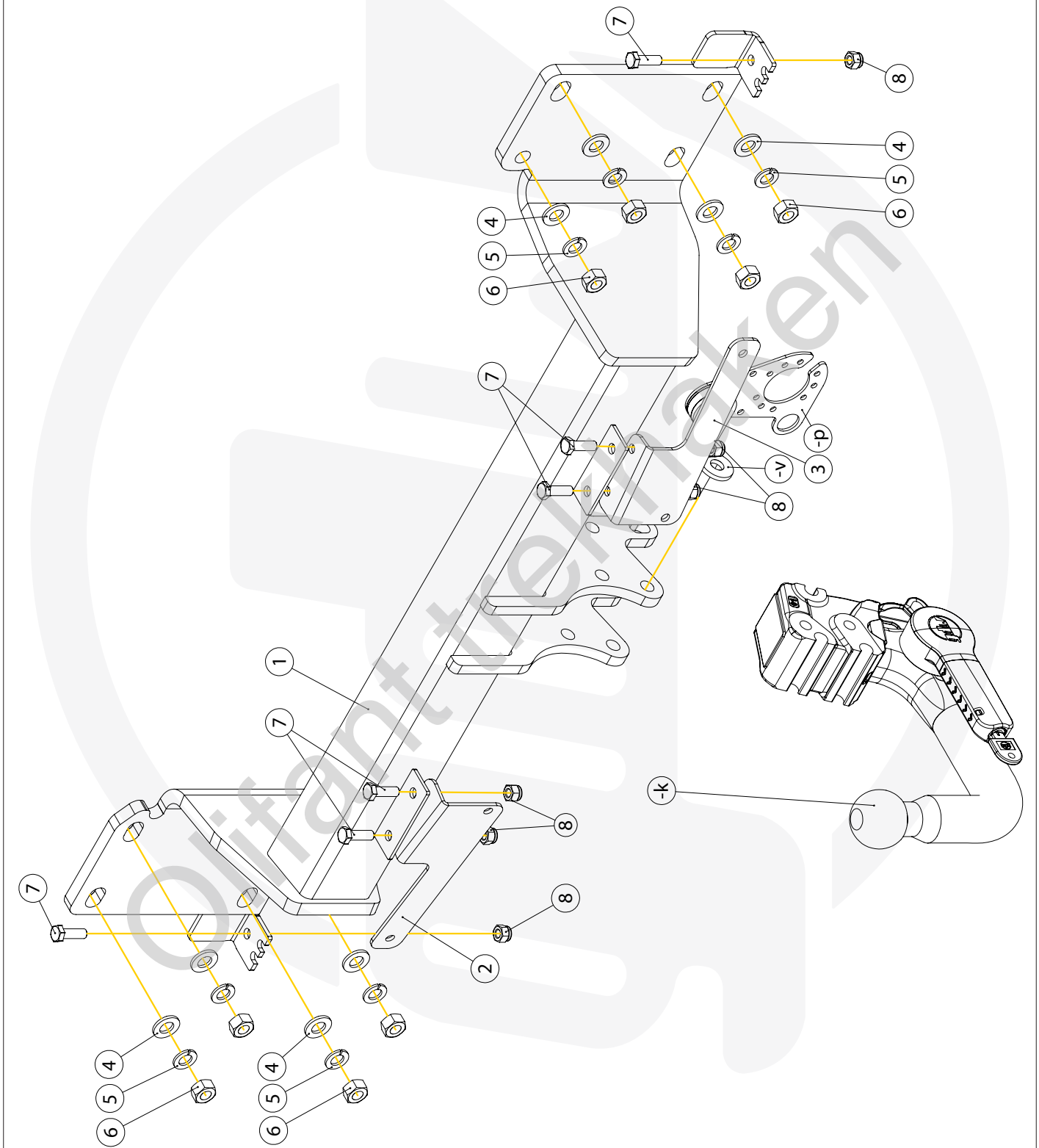
M SPORT PACKAGE ✓

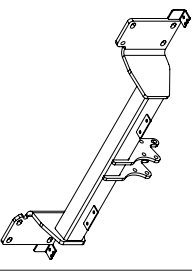









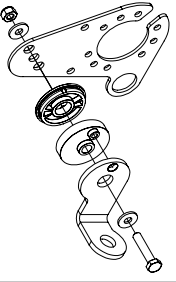




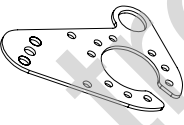


See the Certificate Of Conformity (COC) of your vehicle or contact your dealer to verify the max. trailer weight of your car!

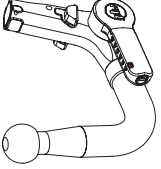

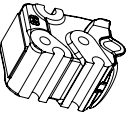


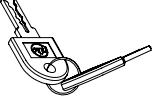

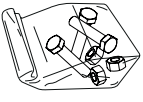




MADE BY 	D 16,70	A50-X	E6
BELGIUM	S 160	EC APPROVAL N° 55R-011518	
REF N° 2345T60	SERIE N°		
OMSCHRIJVING BMW X5 08/'18- + BMW X7 03/'19- + BMW X6 08/'19-			





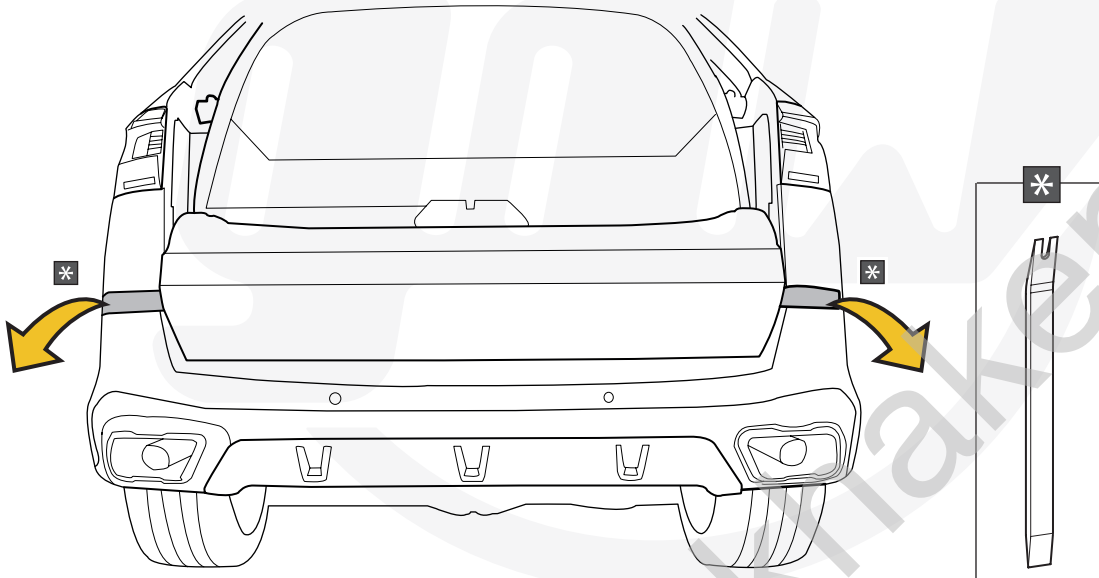
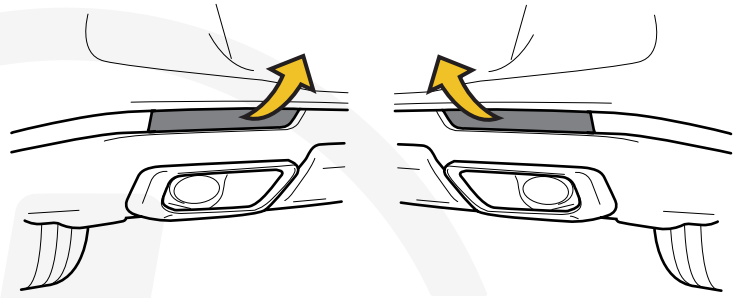
1		X1	GDW REF. 2345160
2		X1	GDW REF. 2
3		X1	GDW REF. 3
4		X8	DIN125-A12-140HV-ELVZ
5		X8	DIN128A-M12
6		X8	DIN934-M12 X 1.5
7		X6	DIN933-M8X25
8		X6	DIN985-M8

-P		X1	GDW REF. P42
└		X1	DIN985-M6
└		X2	6,2 X 15,4 X 1,6 (NYLON)
└		X1	GDW REF. 718.16.002
└		X1	GDW REF. 718.16.003
└		X1	GDW REF. 908.094
└		X1	DIN933-M6 X 30
└		X1	GDW REF. 908.098

Geleverd met - Livré avec - Delivered with Gefleert mit - Elementos adjuntos-Leveres med		X1	GDW REF. 960.V0606
	└ 	X1	GDW REF. 740.200
		X1	GDW REF. 912.003
	└ 	X1	GDW REF. 740.112
	└ 	X1	GDW REF. 740.111
		X1	GDW REF. 740.114
		X1	GDW REF. 718.15.001
		X1	GDW REF. SYST60-10
	└ 	X3	DIN931-M12X110-8.8
	└ 	X3	DIN128A-M12
	└ 	X6	DIN125A-M12
	└ 	X3	DIN934-M12

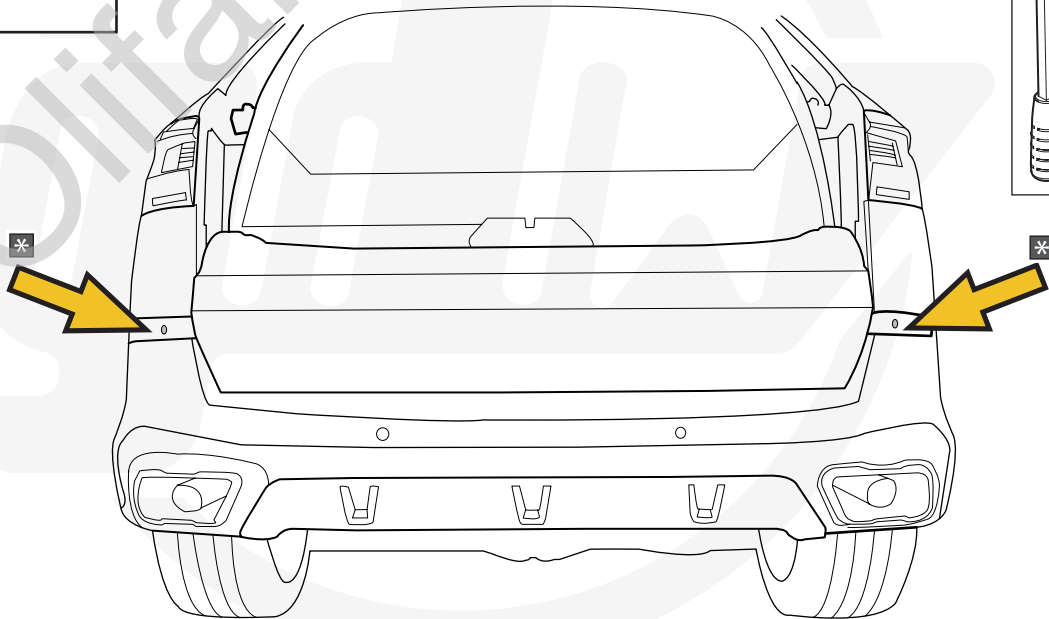
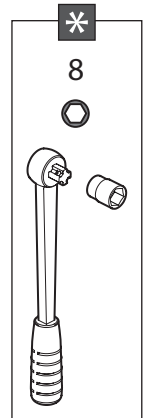
1

X5
X6
X7

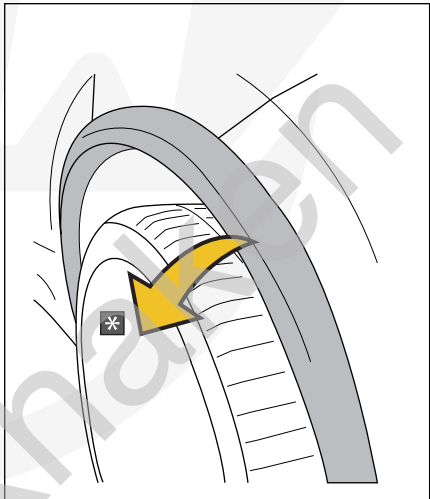
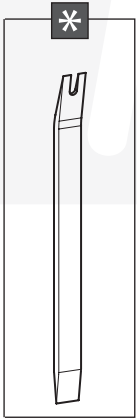
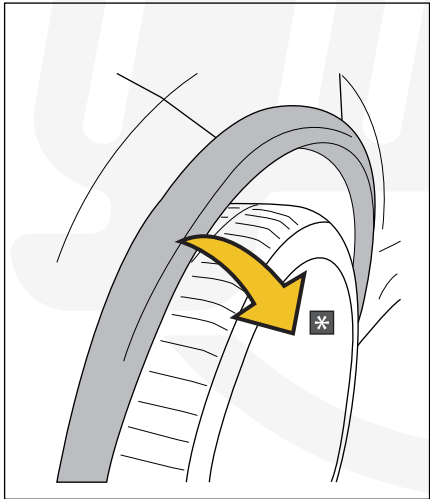
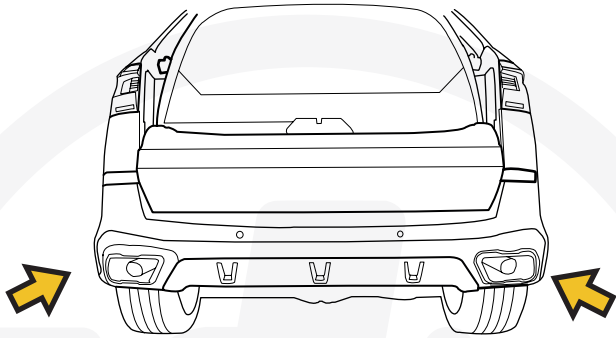


2

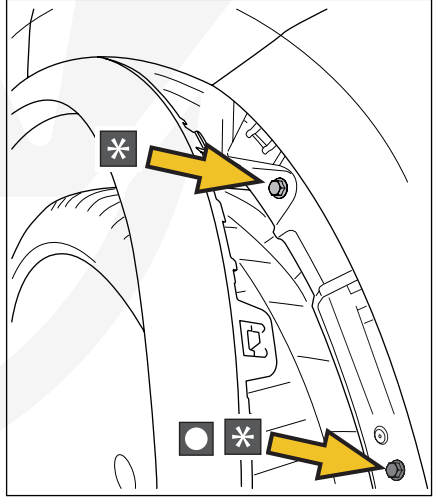
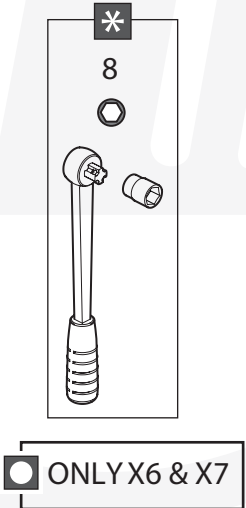
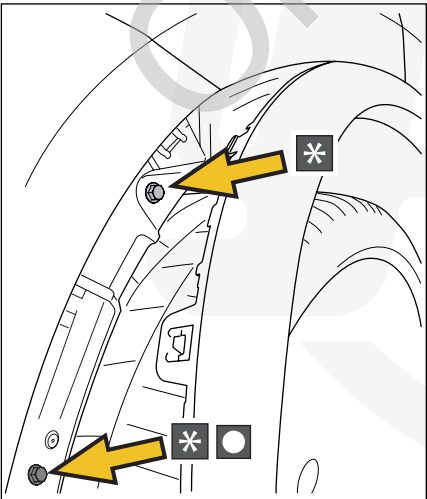
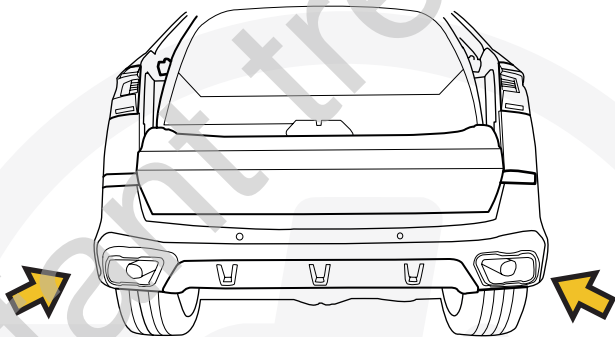
X5
X6
X7



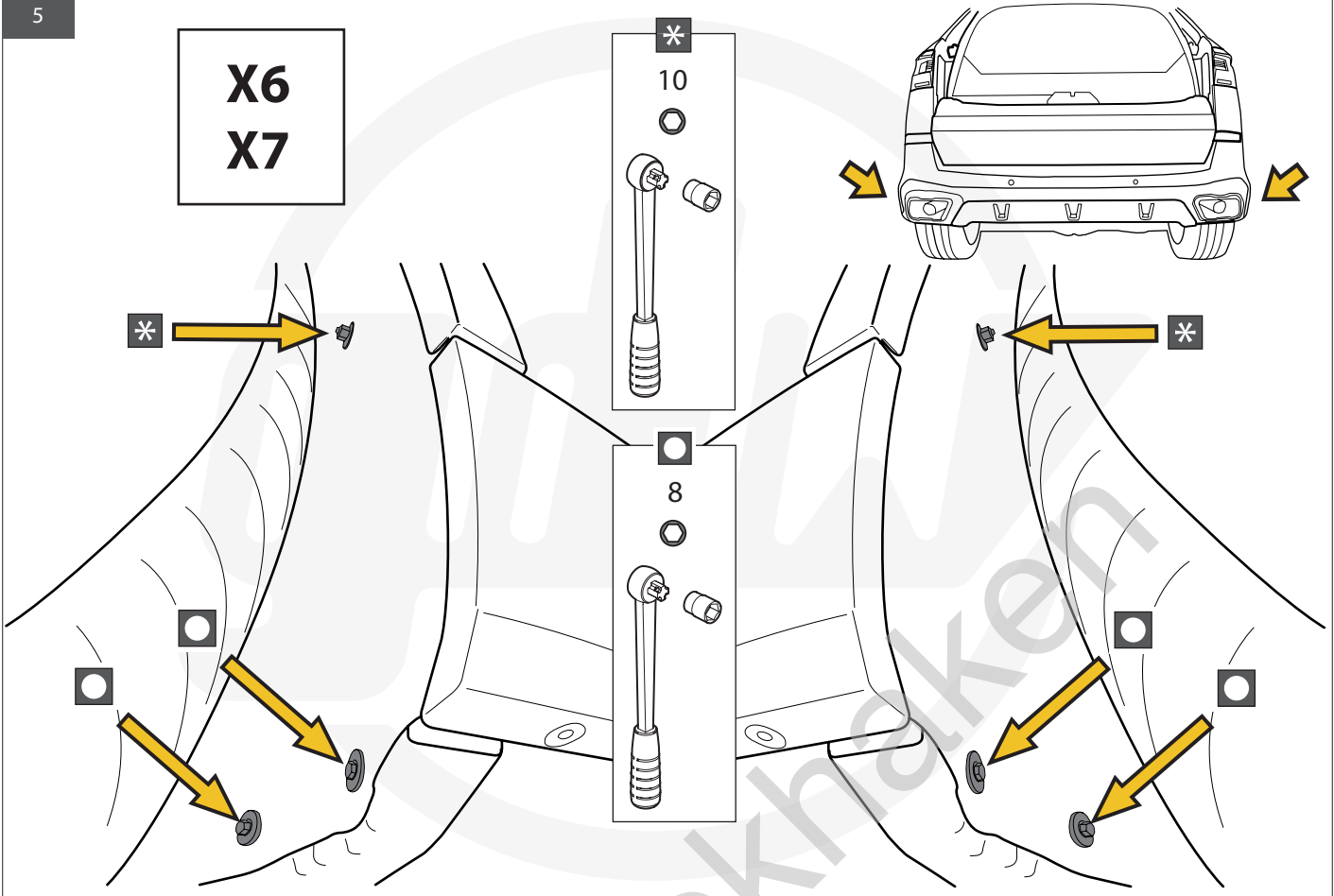
X5
X6
X7



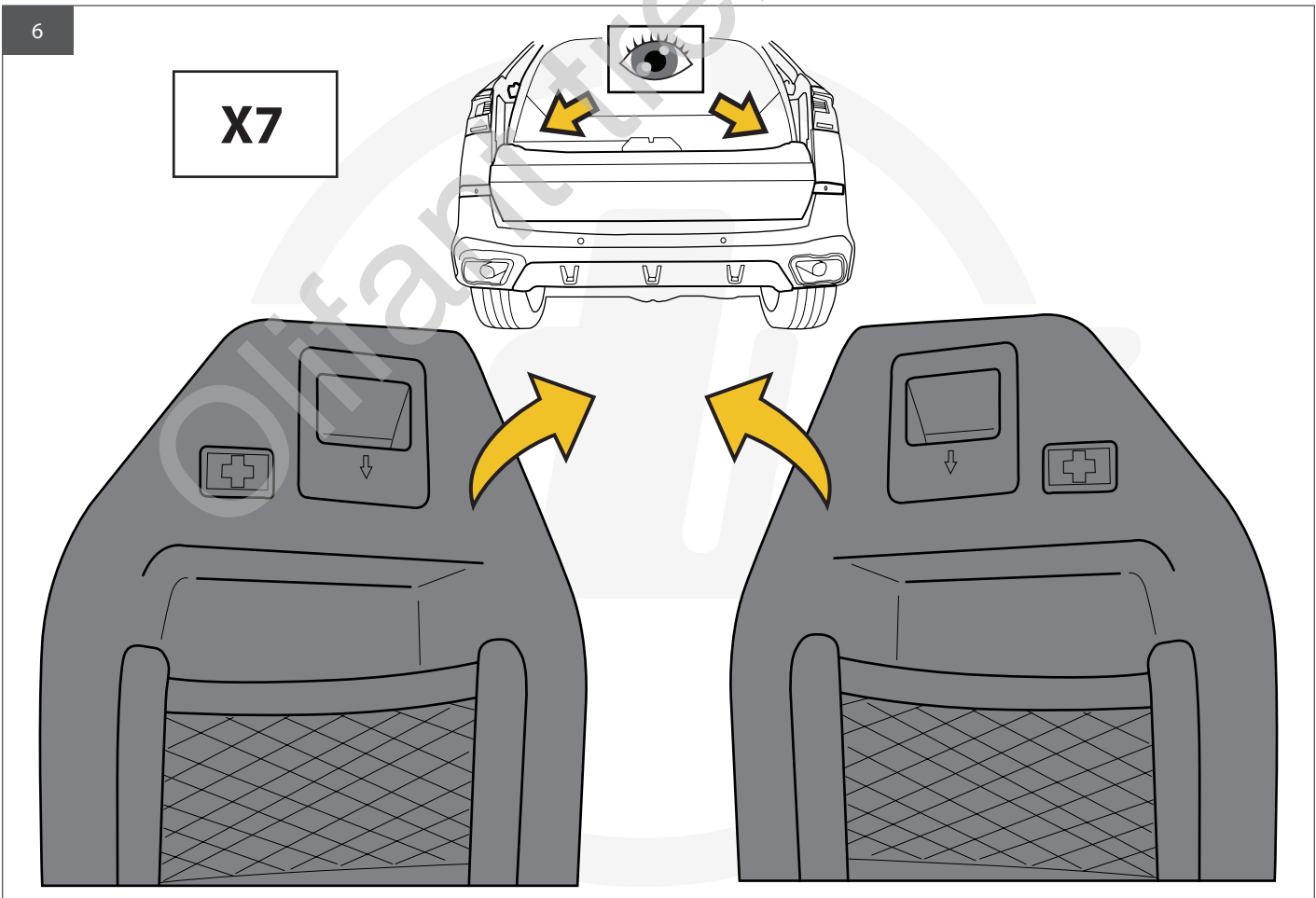
X5
X6
X7



X6
X7

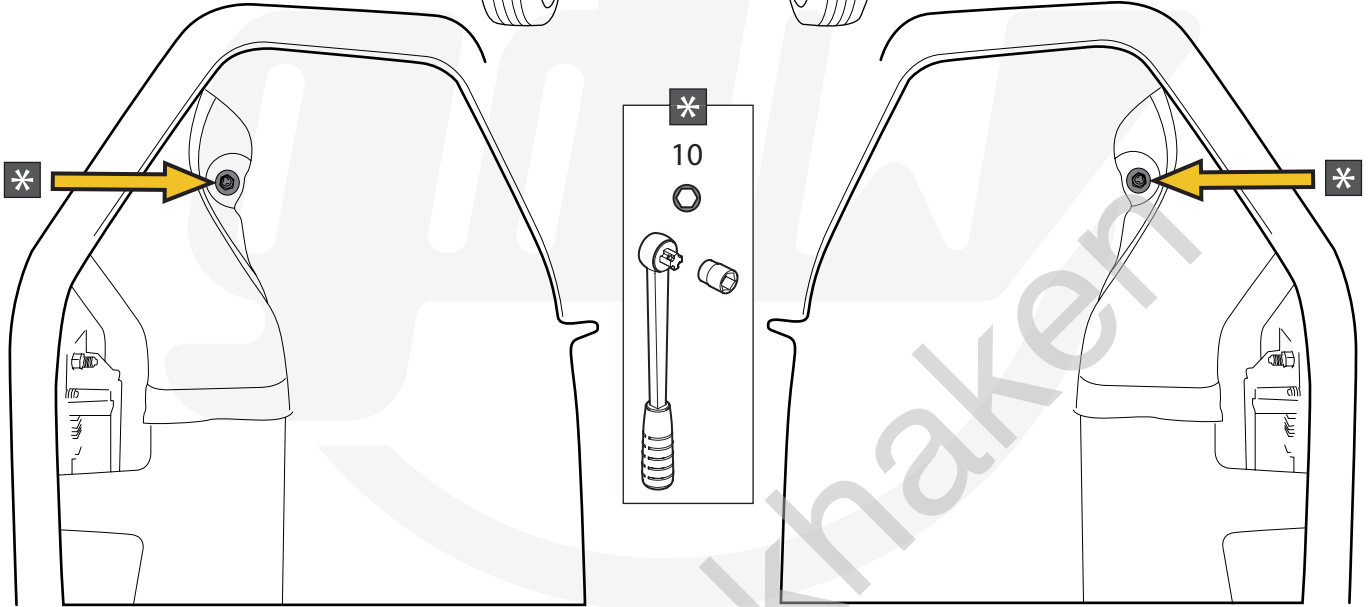
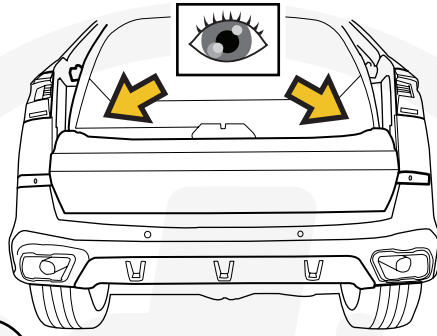


X7



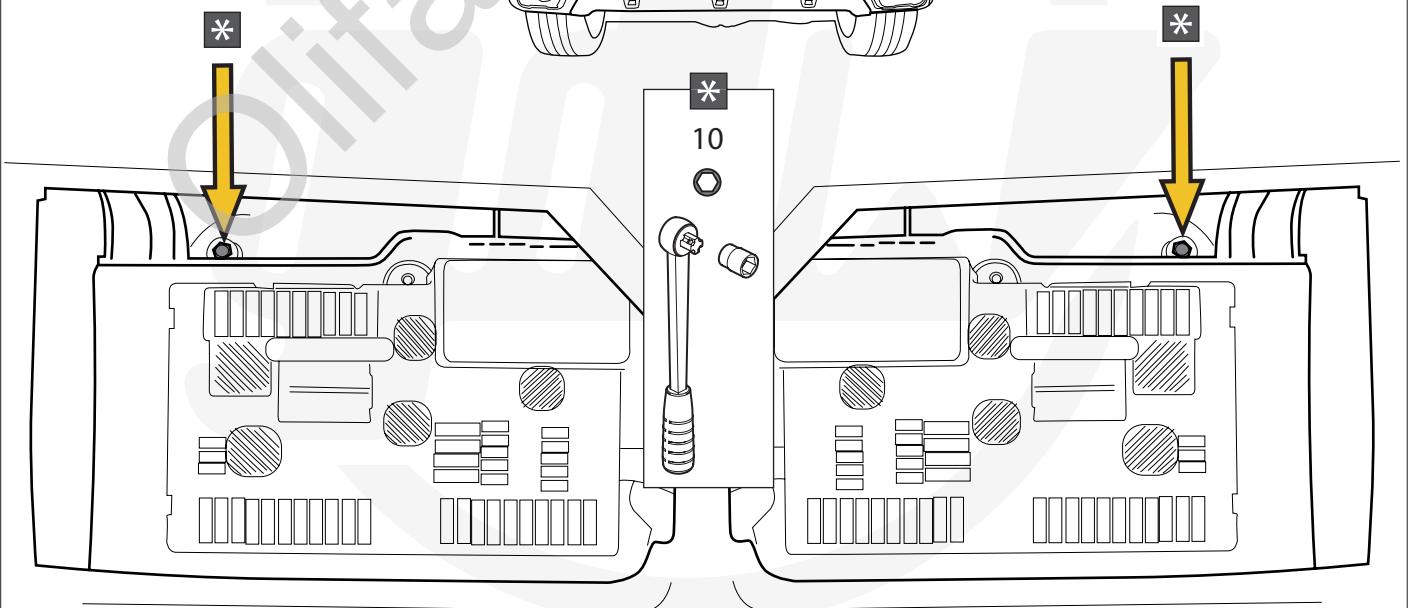
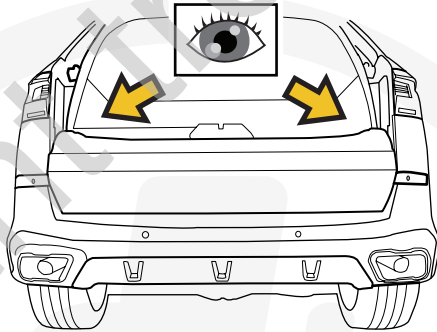
7

X7

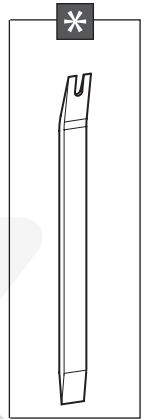
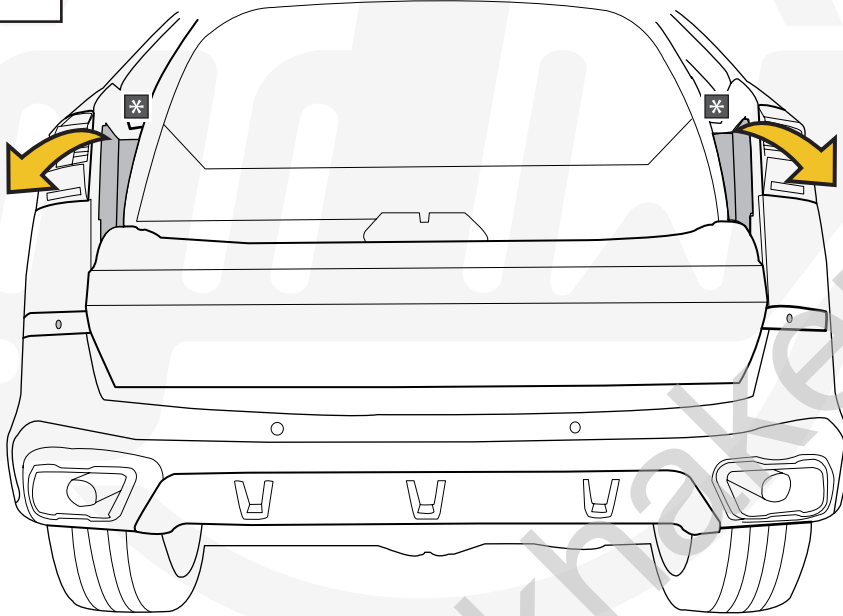


8

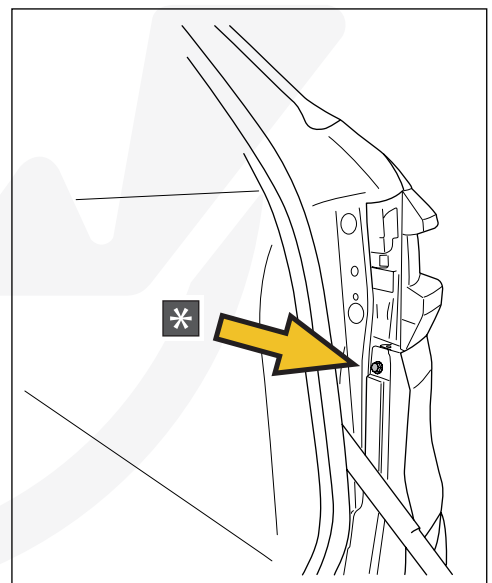
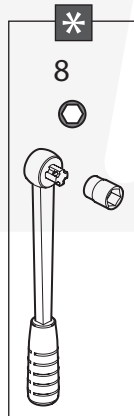
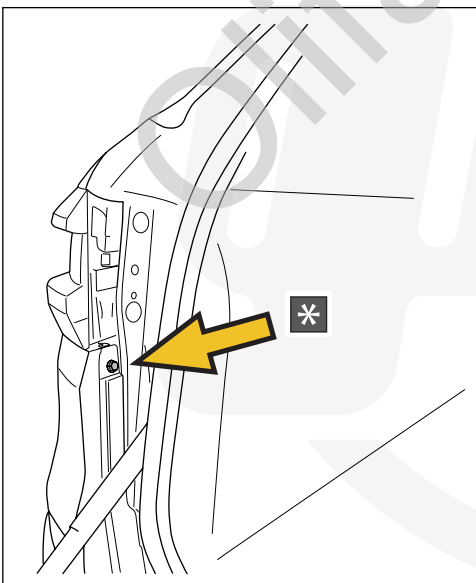
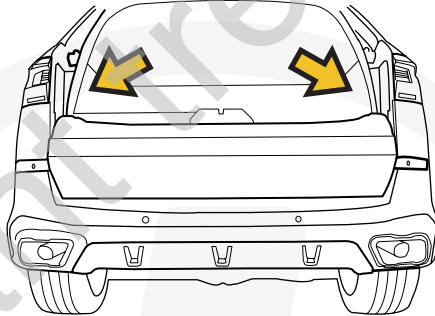
X6



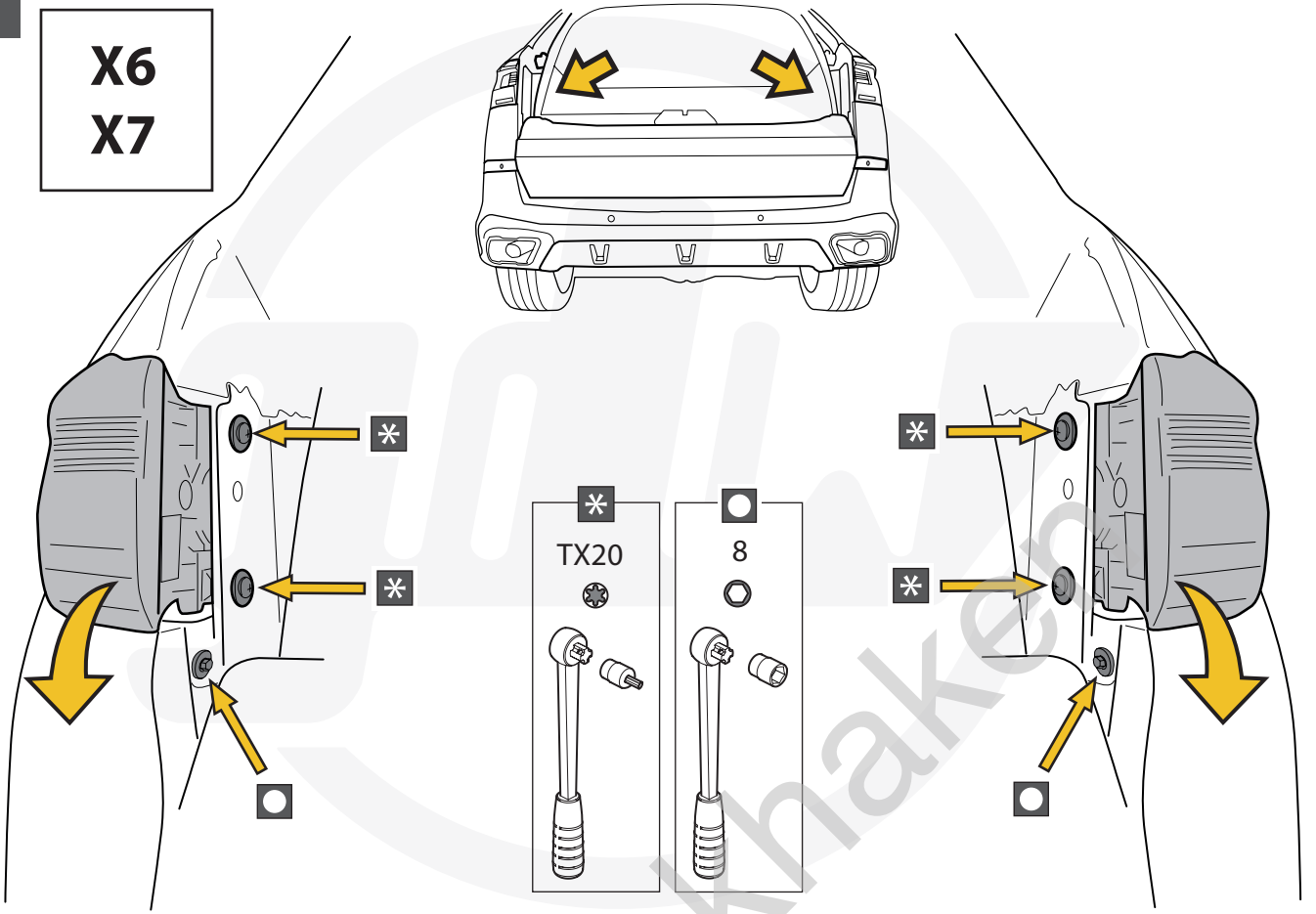
**X5
X6
X7**



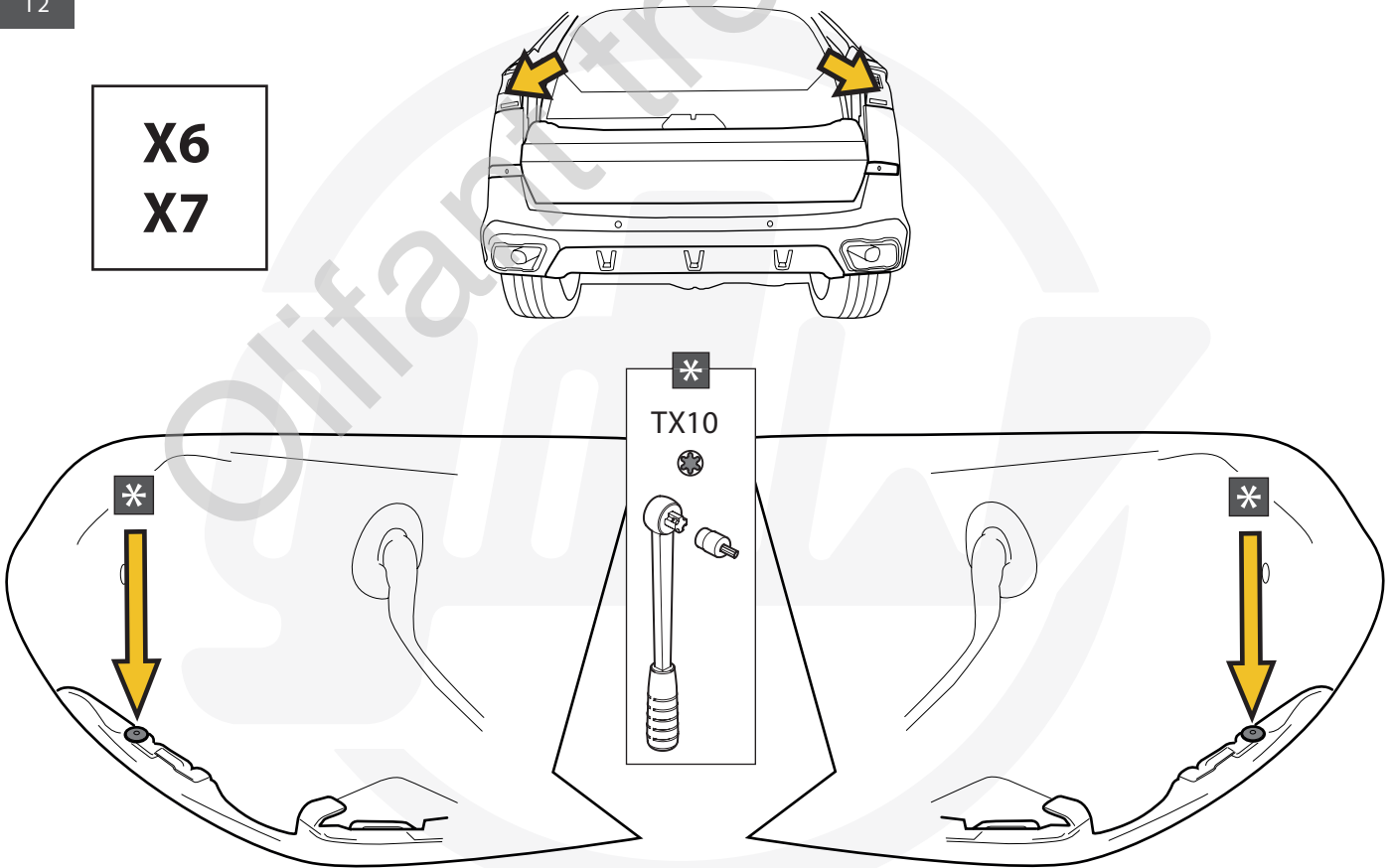
X5

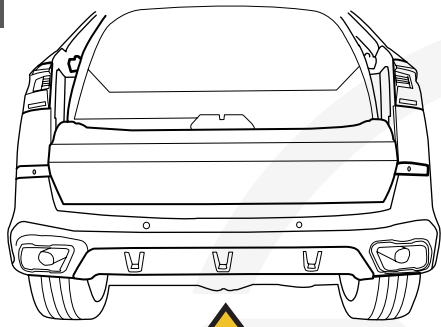


X6
X7



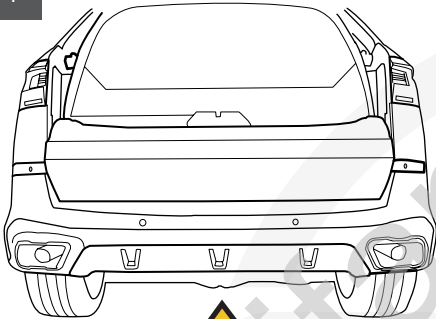
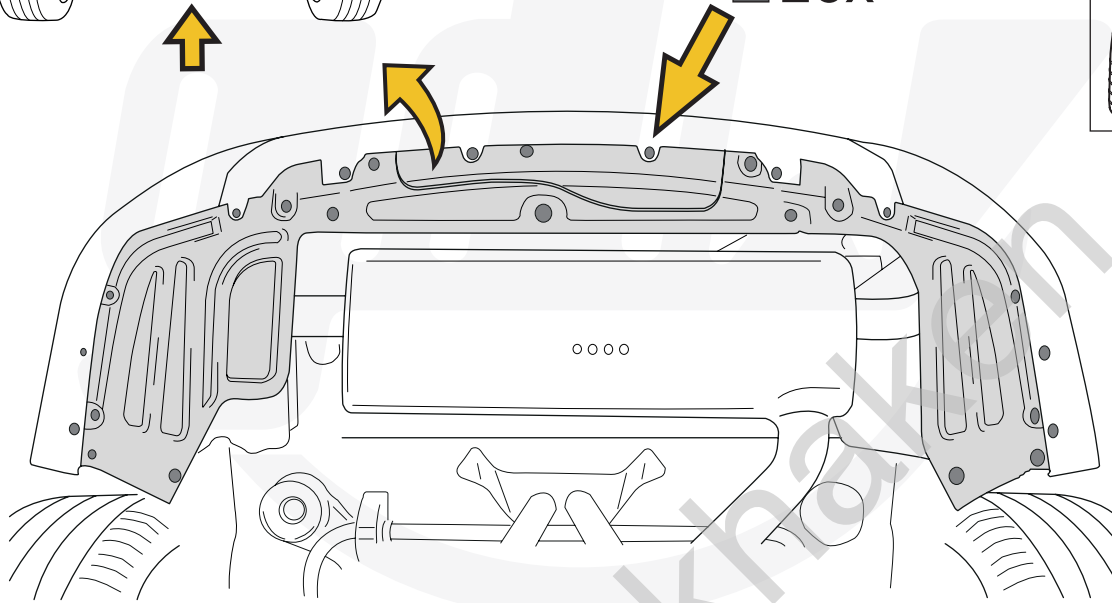
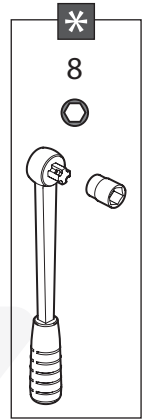
X6
X7



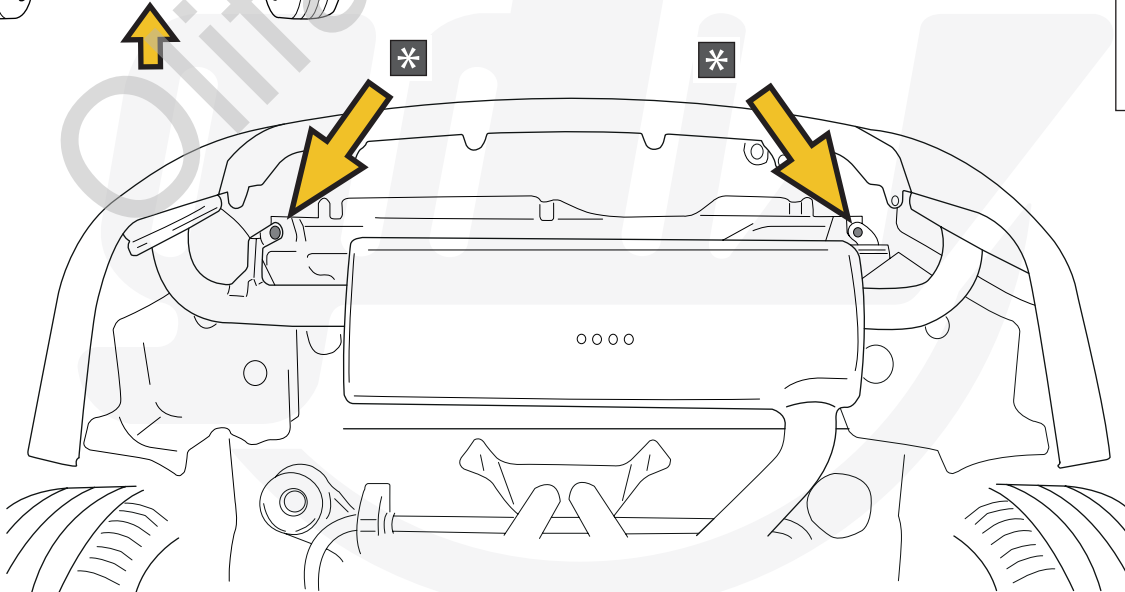
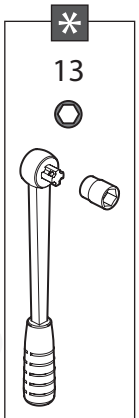


X5
X6
X7

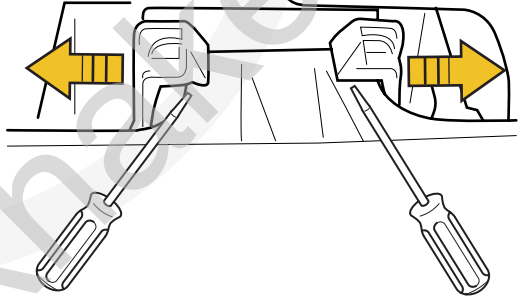
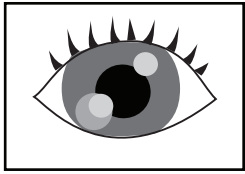
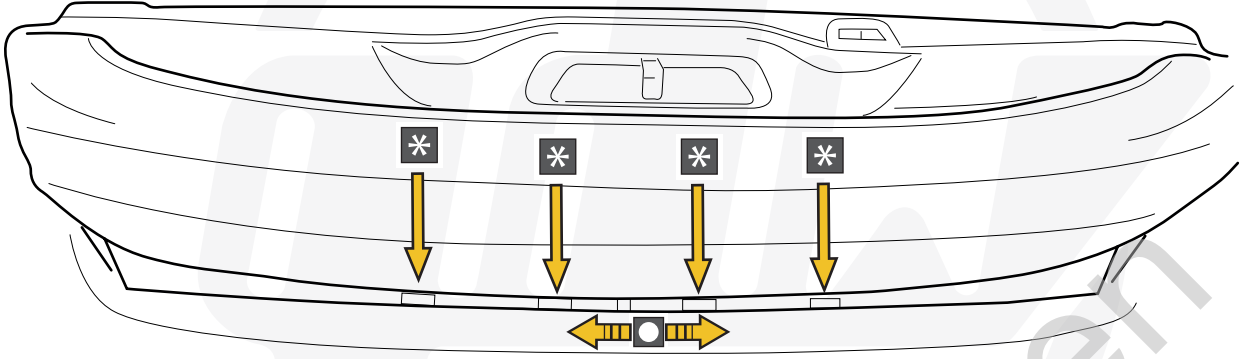
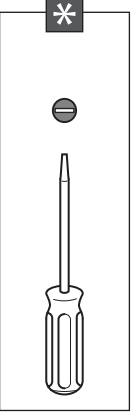
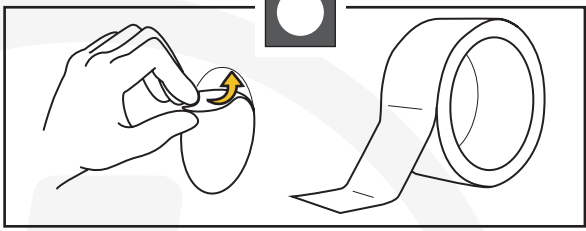
* 26x



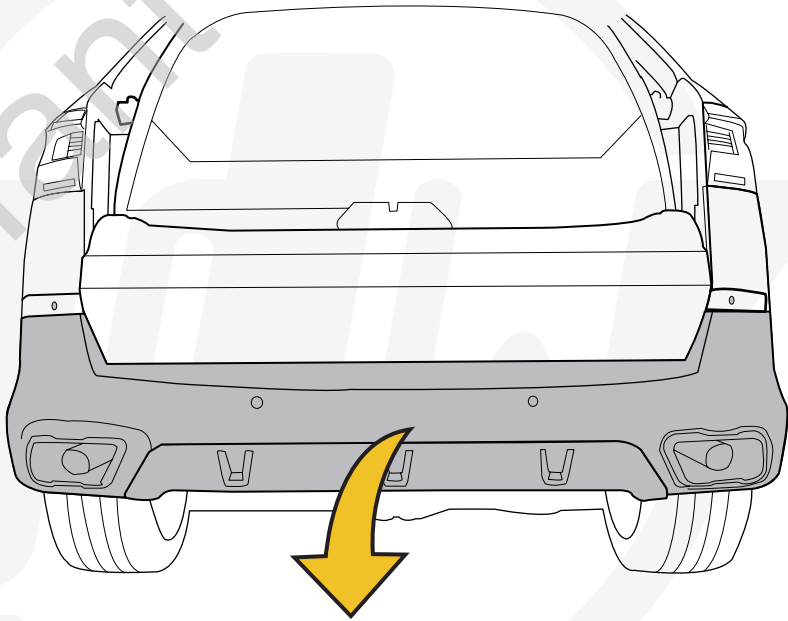
X5
X6
X7



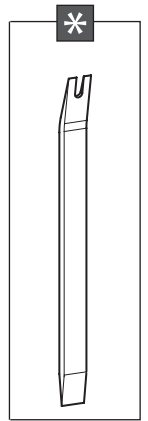
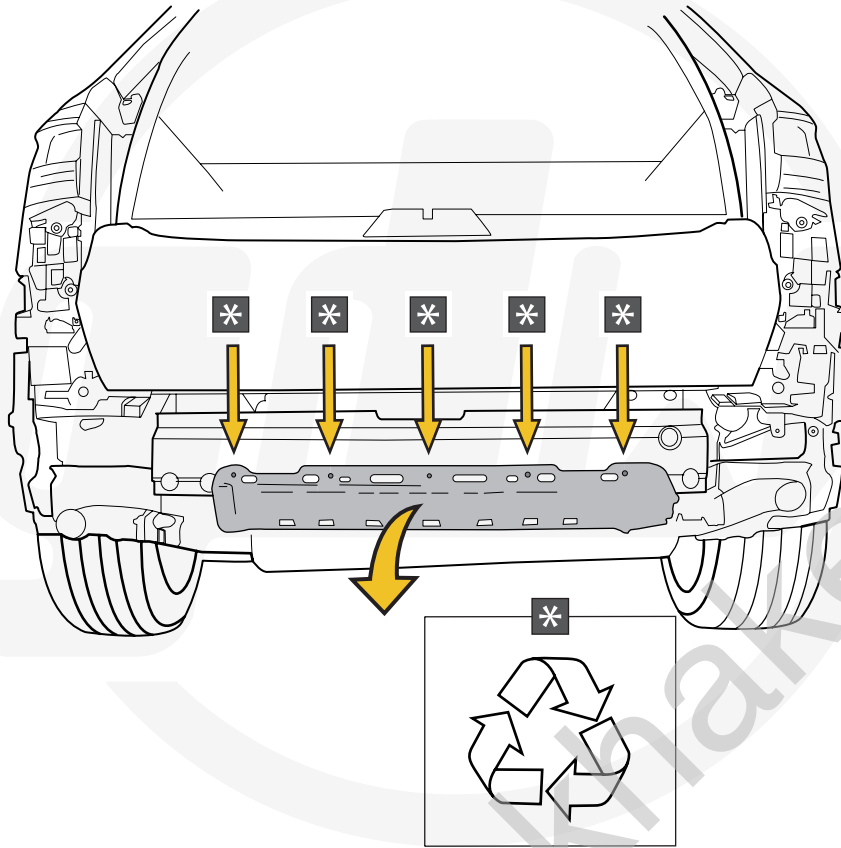
X7



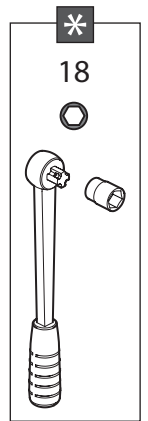
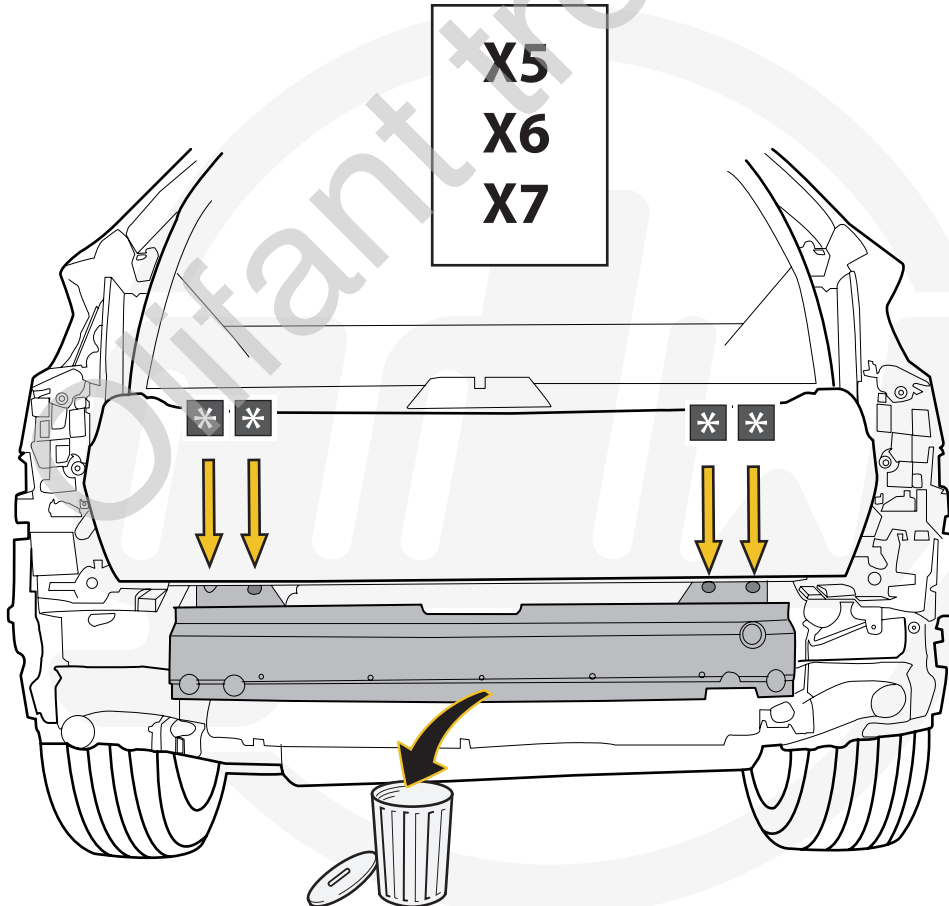
X5
X6
X7



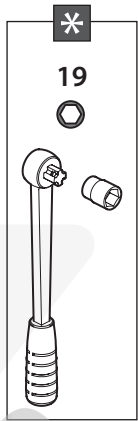
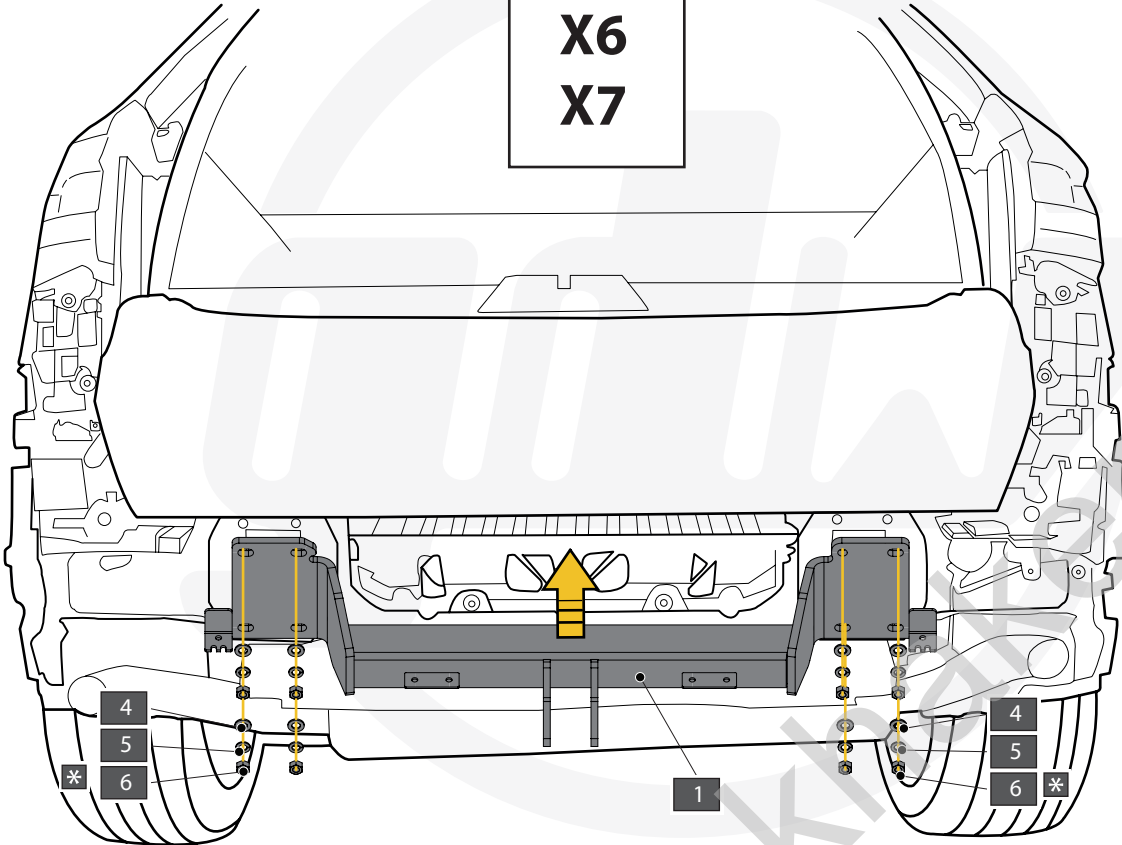
X5
X6
X7



X5
X6
X7

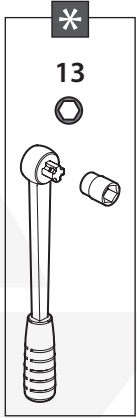
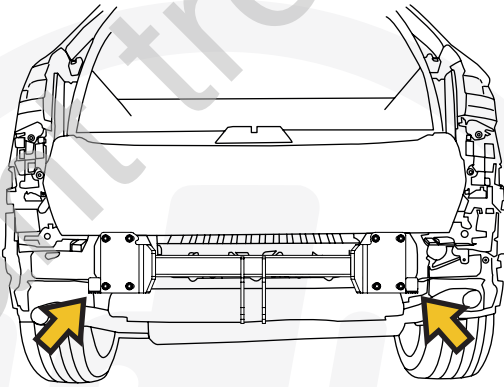


X5
X6
X7

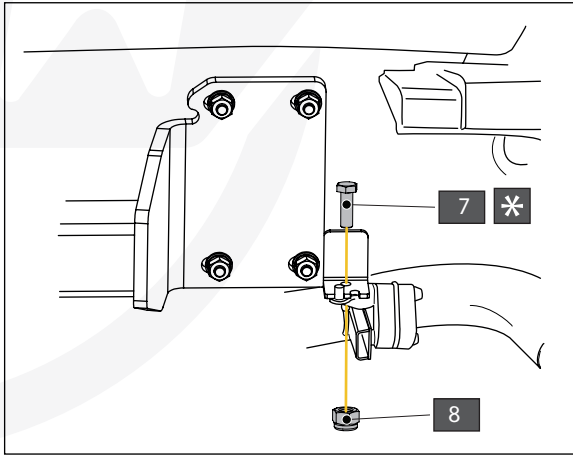
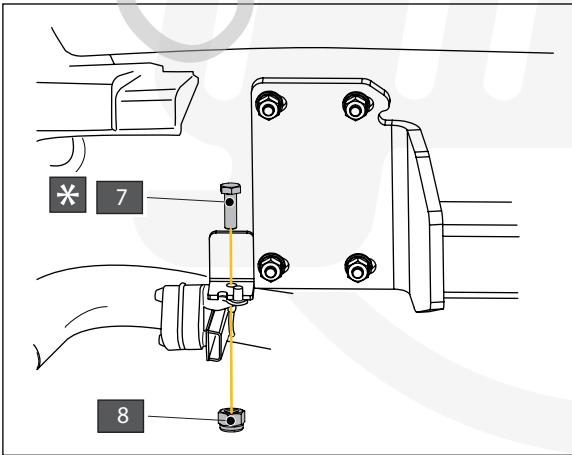



97,0 Nm

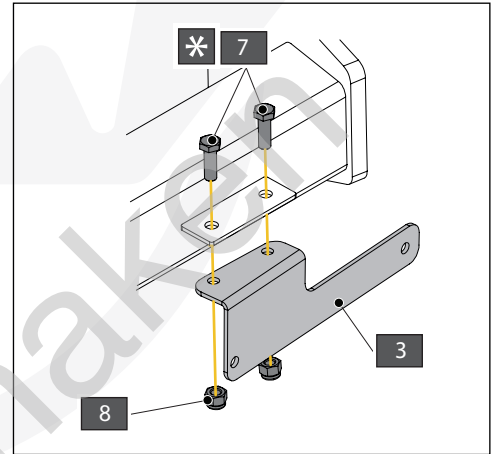
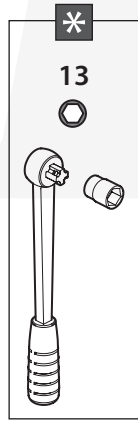
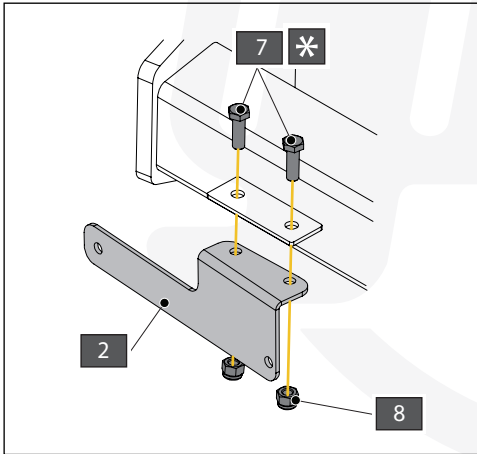
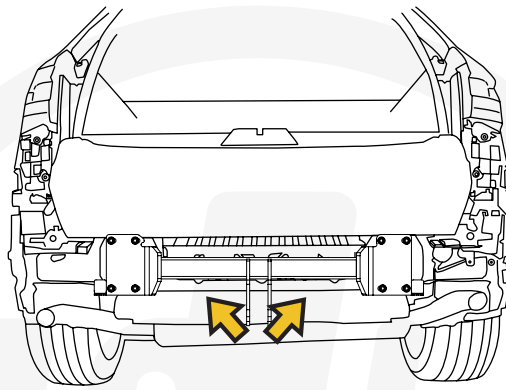
X5
X6
X7



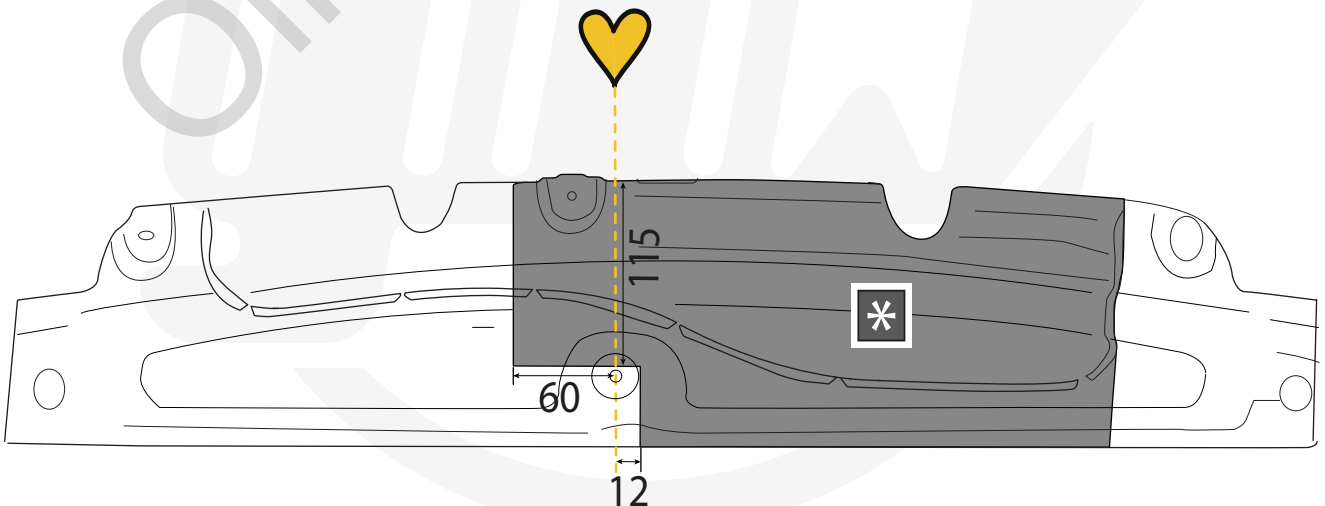
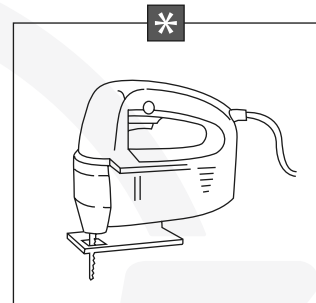

27,3 Nm



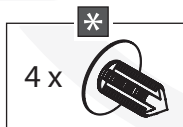
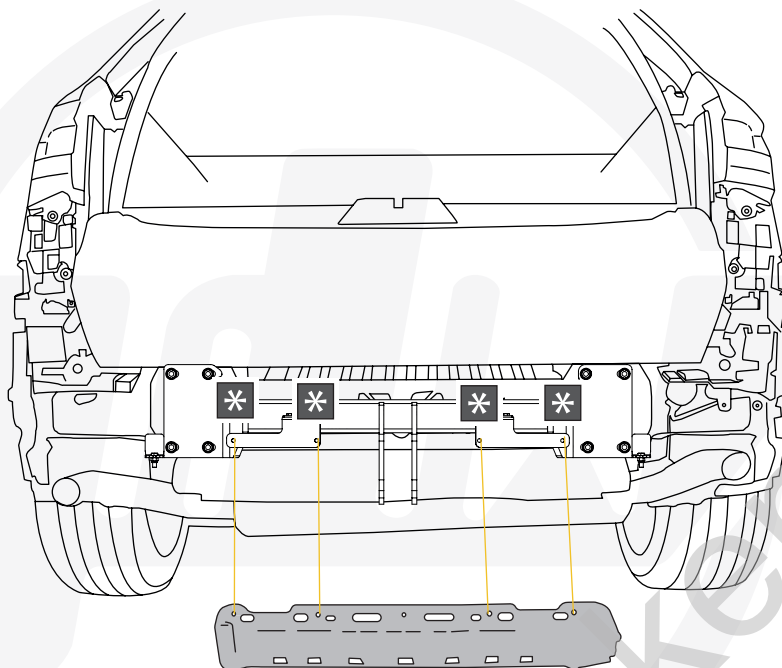
X5
X6
X7



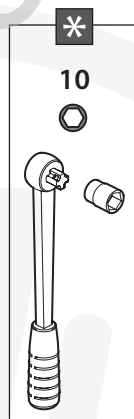
X5
X6
X7



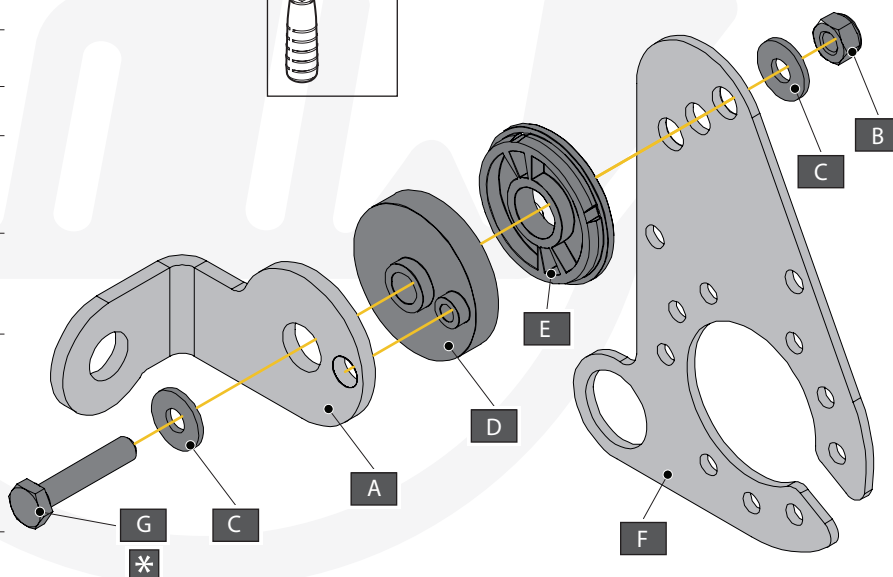
X5
X6
X7



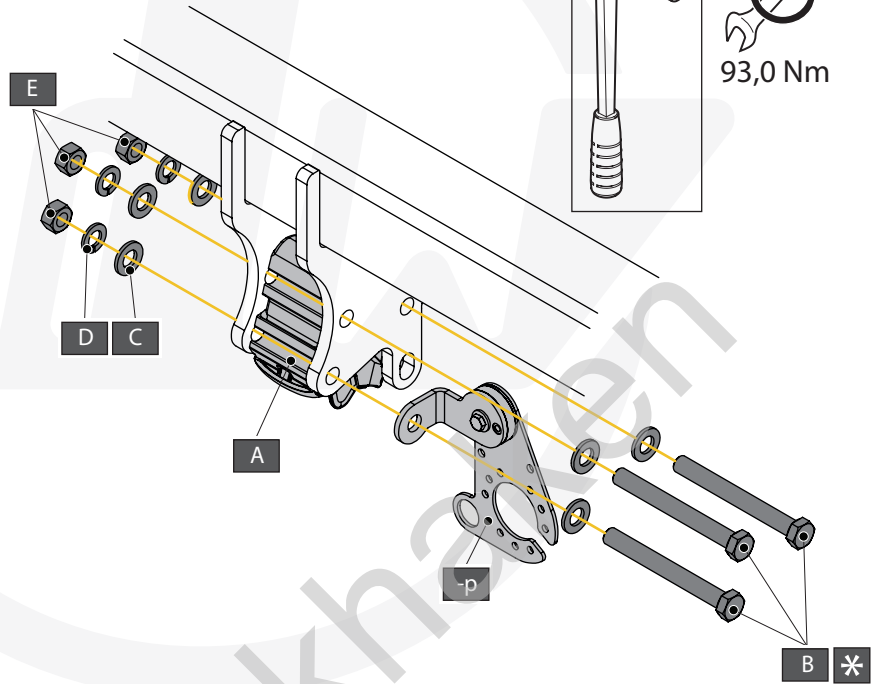
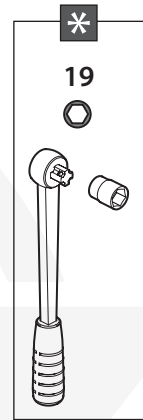
X5
X6
X7



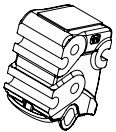
A		X1	GDW REF. 908.097
B		X1	DIN985-M6
C		X2	6,2 X 15,4 X 1,6 (NYLON)
D		X1	GDW REF. 718.16.002
E		X1	GDW REF. 718.16.003
F		X1	GDW REF. 908.094
G		X1	DIN933-M6 X 30



X5
X6
X7



A X1 912.003



B X3 DIN931-M12X110



C X6 DIN125A-M12



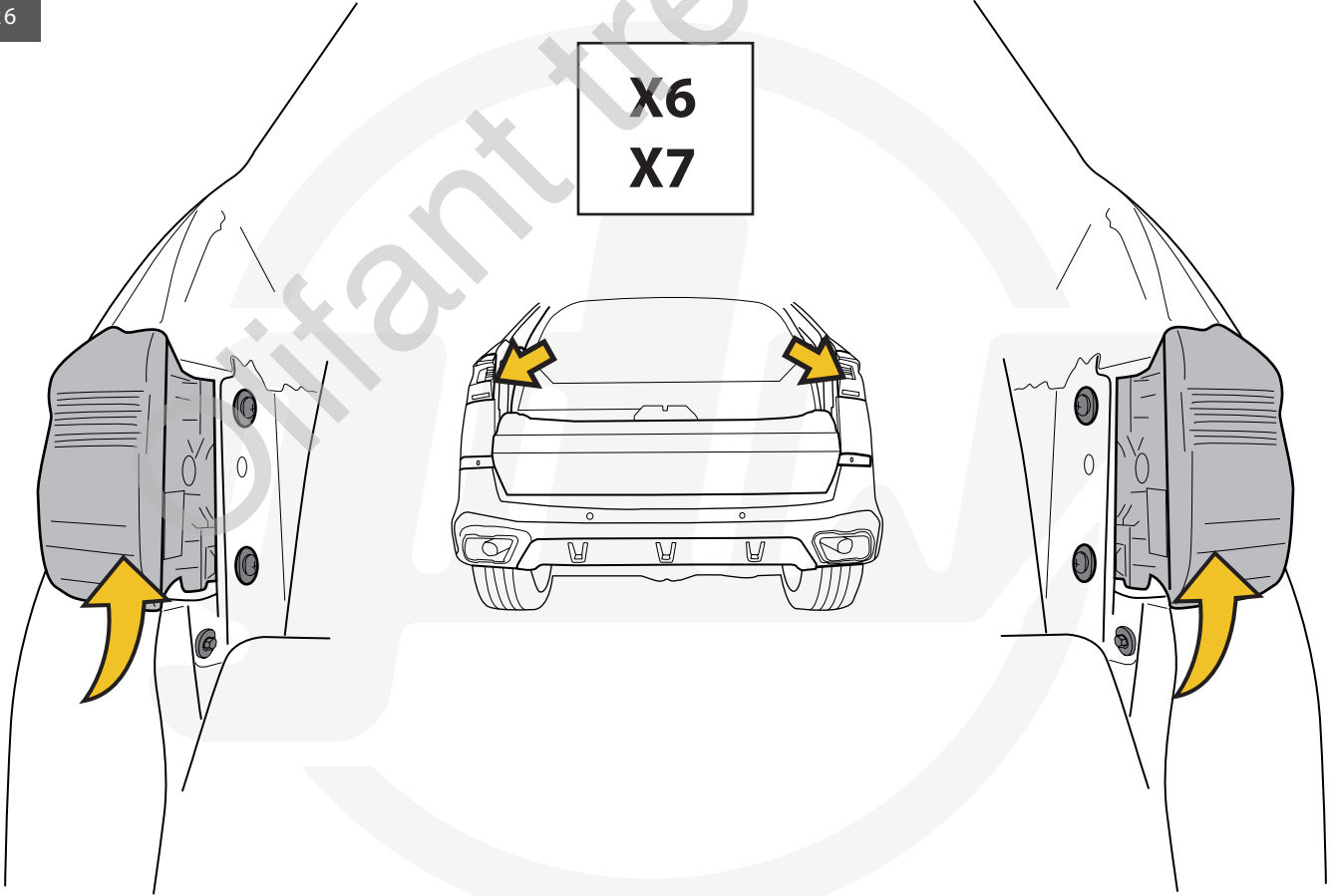
D X3 DIN128A-M12



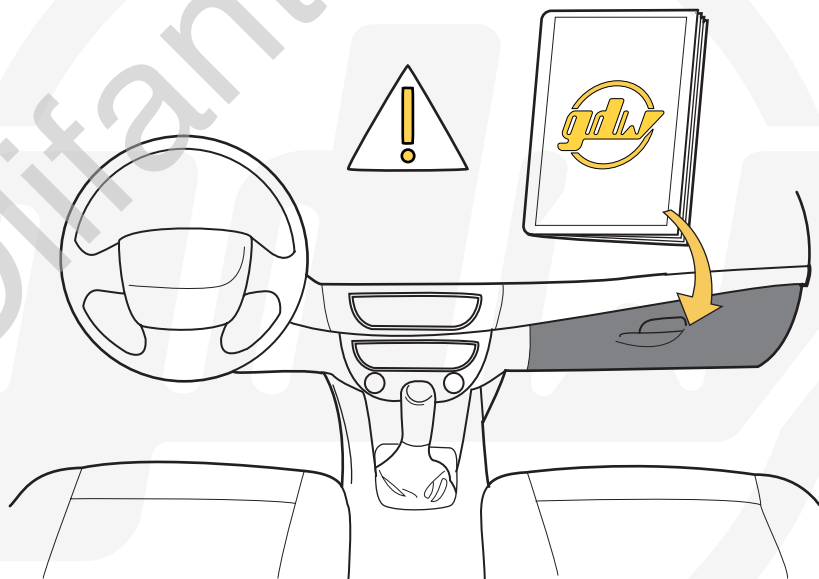
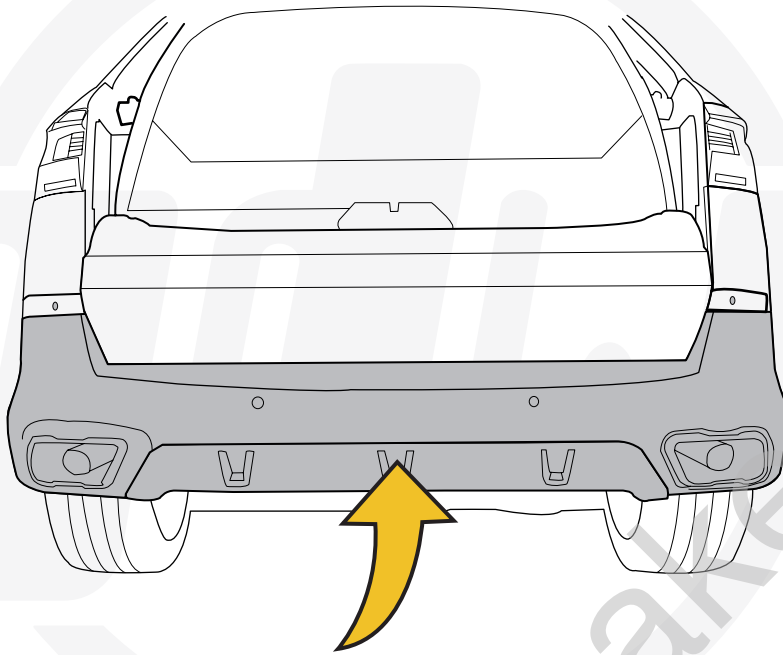
E X3 DIN934-M12

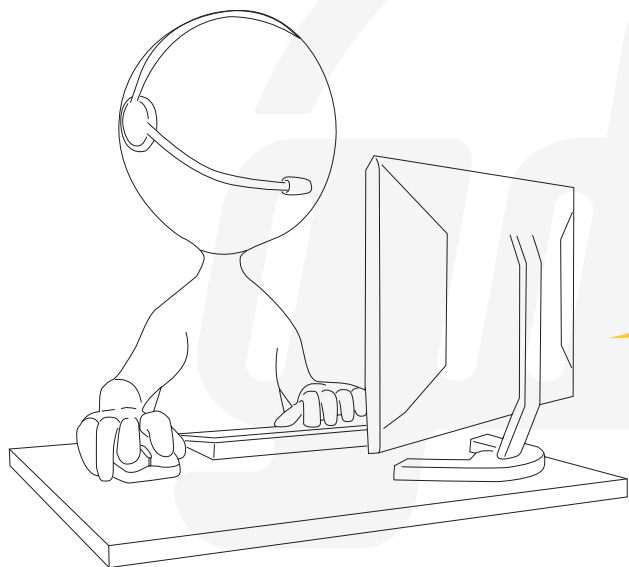


X6
X7



X5
X6
X7





helpdesk@gdwtowbars.com

+32 56 62 77 79

Monday	08:00 - 12:00	12:30 - 16:30
Tuesday	08:00 - 12:00	12:30 - 16:30
Wednesday	08:00 - 12:00	12:30 - 16:30
Thursday	08:00 - 12:00	12:30 - 16:30
Friday	08:00 - 12:00	12:30 - 15:30