



TREKHAKEN • ATTELAGES • ANHÄNGERVORRICHTUNGEN • TOWBARS • ENHANCES • ANHÆNGERTRÆK

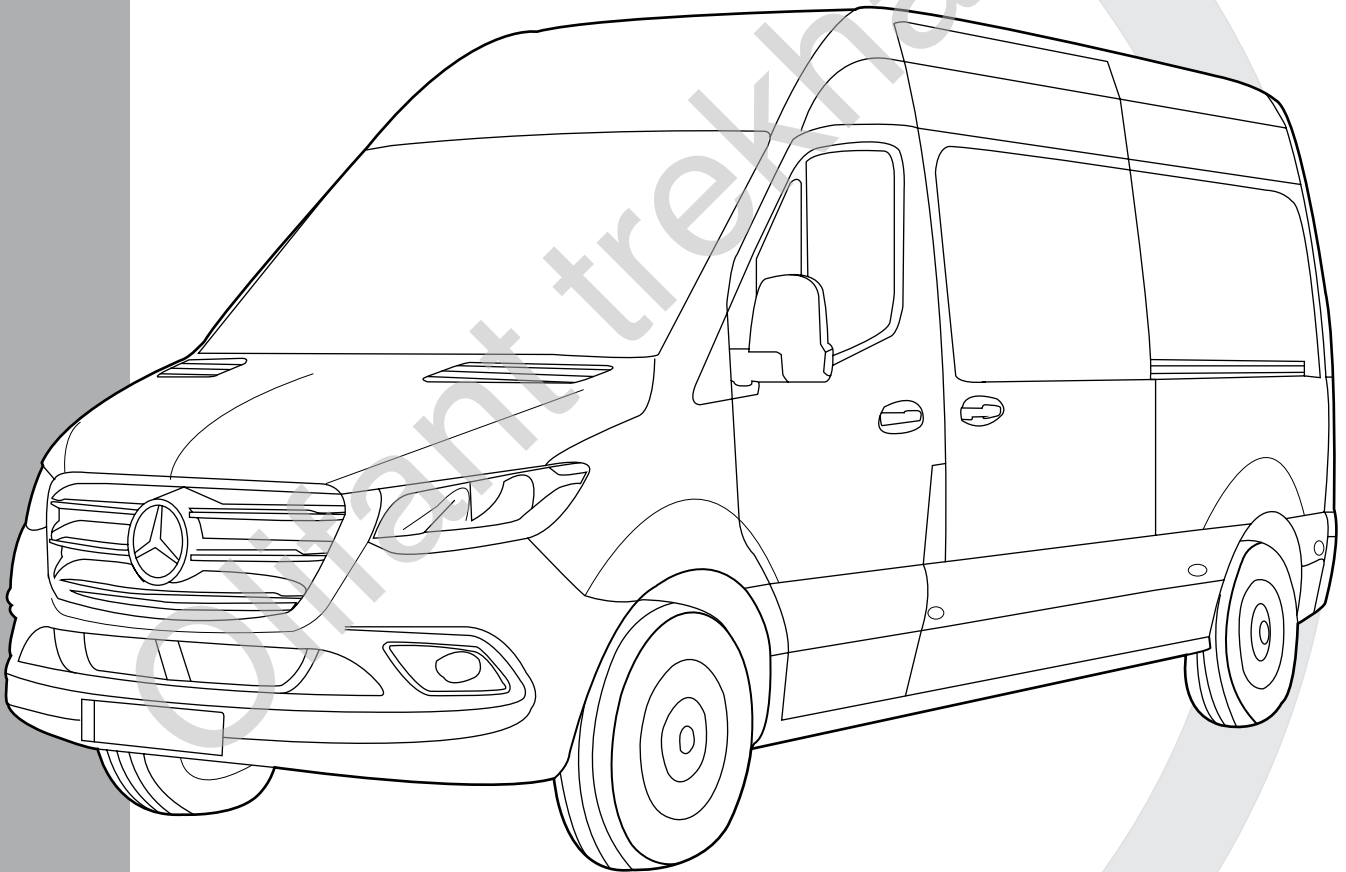
Montagehandleiding | instructions de montage | Einbauanleitung | Mounting instruction
Instrucciones de montaje | monteringsvejledning




Mercedes Sprinter FWD (type W910)

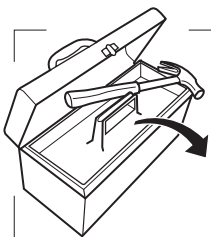
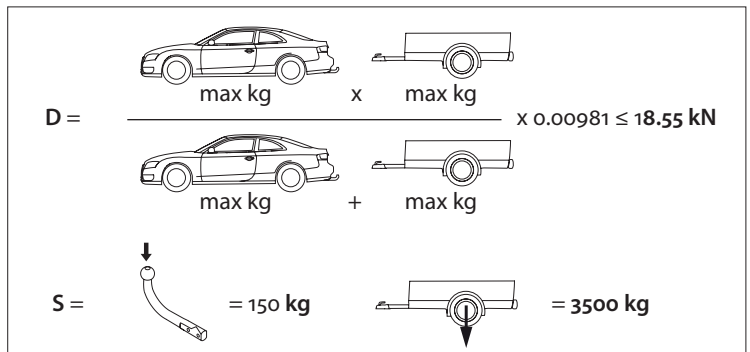
06/'18-

- ✓ VEHICLES WITH STEP
- ✓ VEHICLES WITHOUT STEP
- ✗ VEHICLES WITH OE STEP WITH CUTOUT FOR TOWBAR

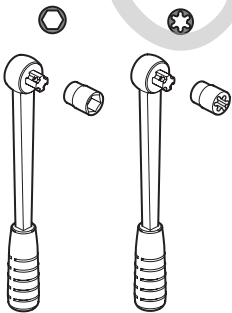


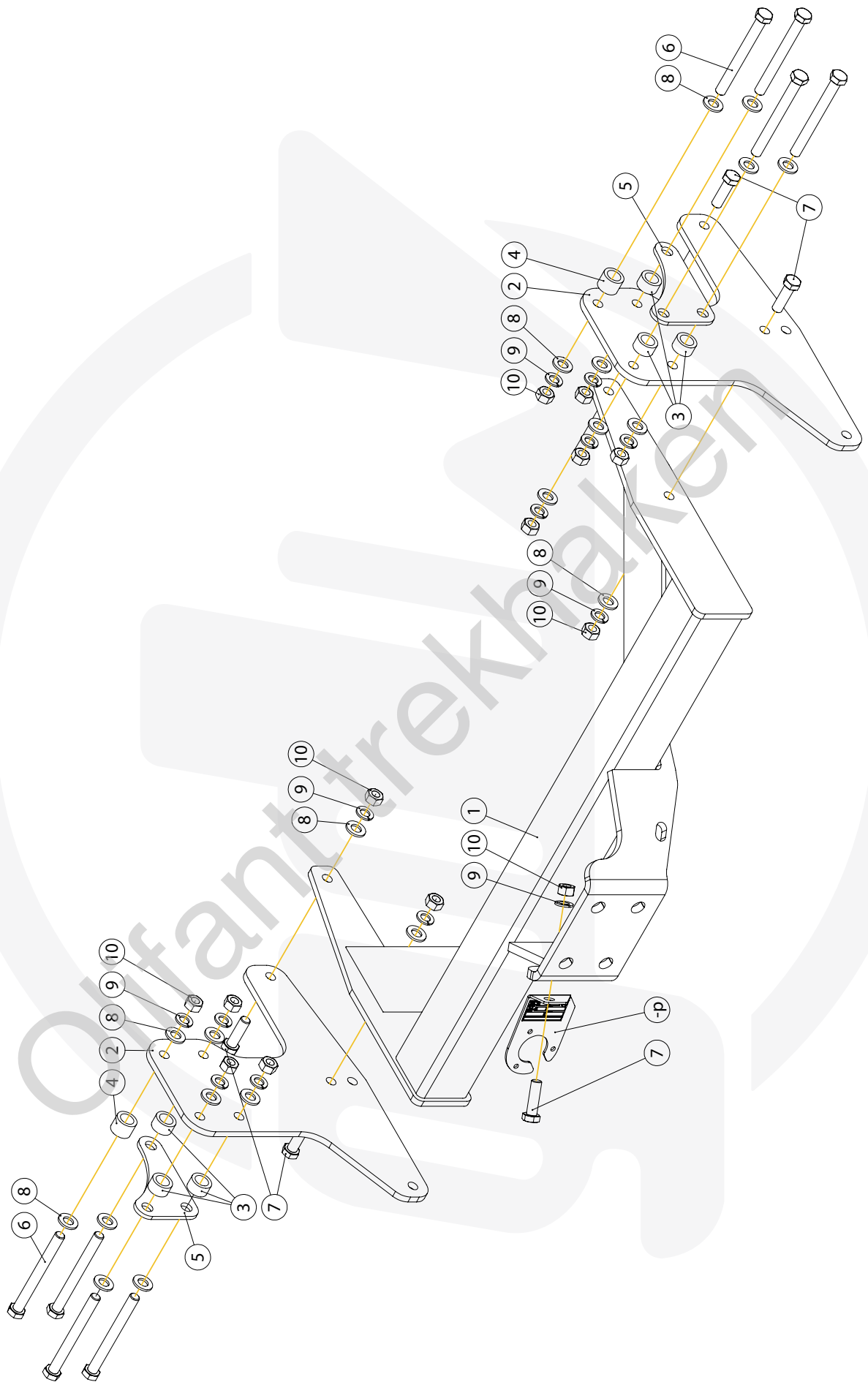
See the Certificate Of Conformity (COC) of your vehicle or contact your dealer to verify the max. trailer weight of your car!

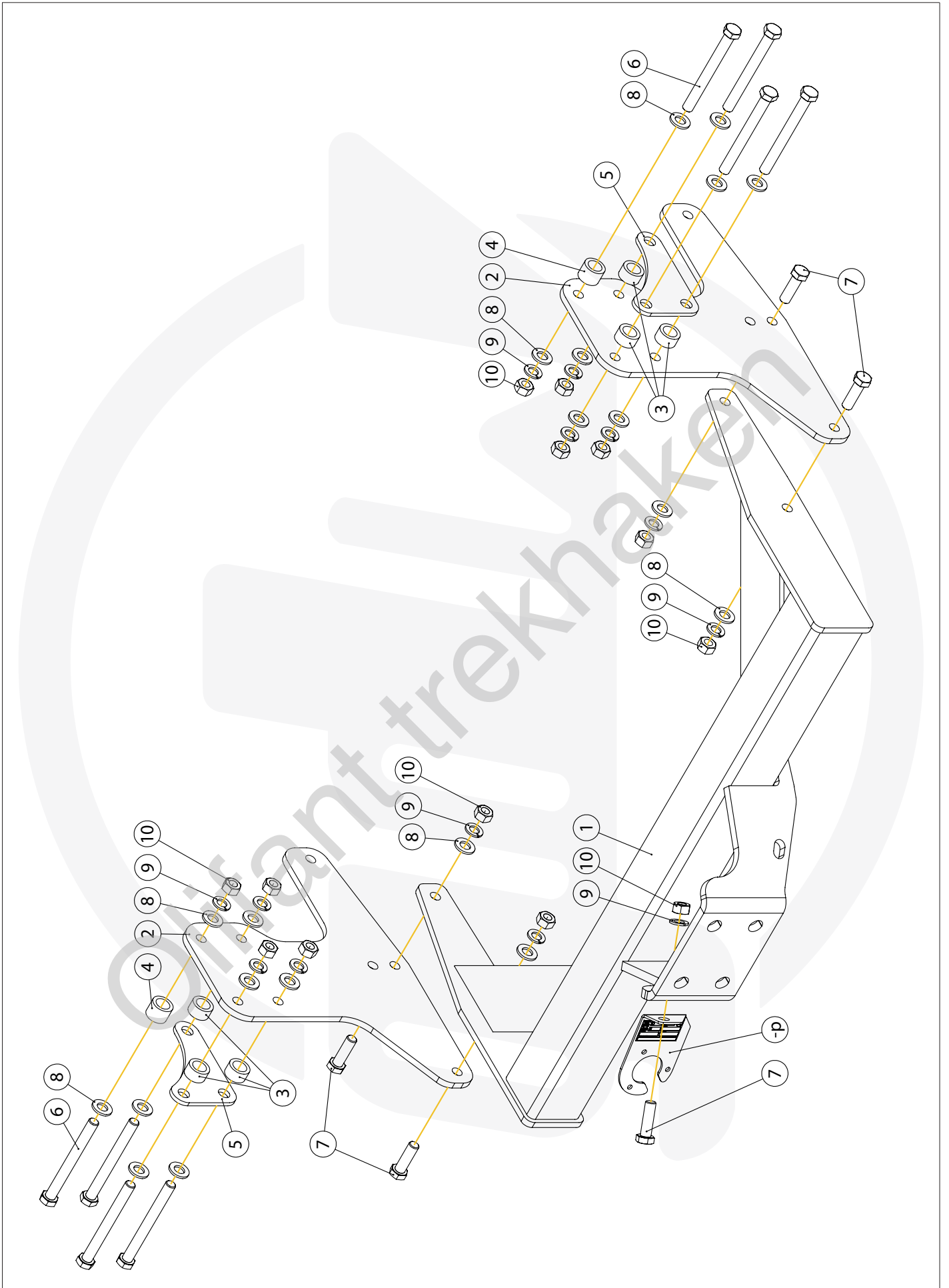
MADE BY	D 18,55	F	E6
	EC APPROVAL N°		
BELGIUM	S 150	55R-011490	
REF N°	SERIE N°		
2332	XXXX		
OMSCHRIJVING			
Mercedes Sprinter FWD			

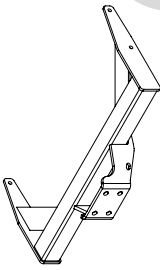
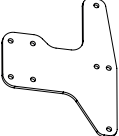
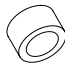

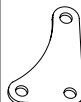
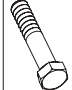
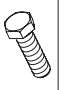

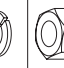




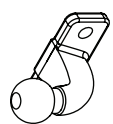


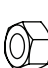
19 TXE16



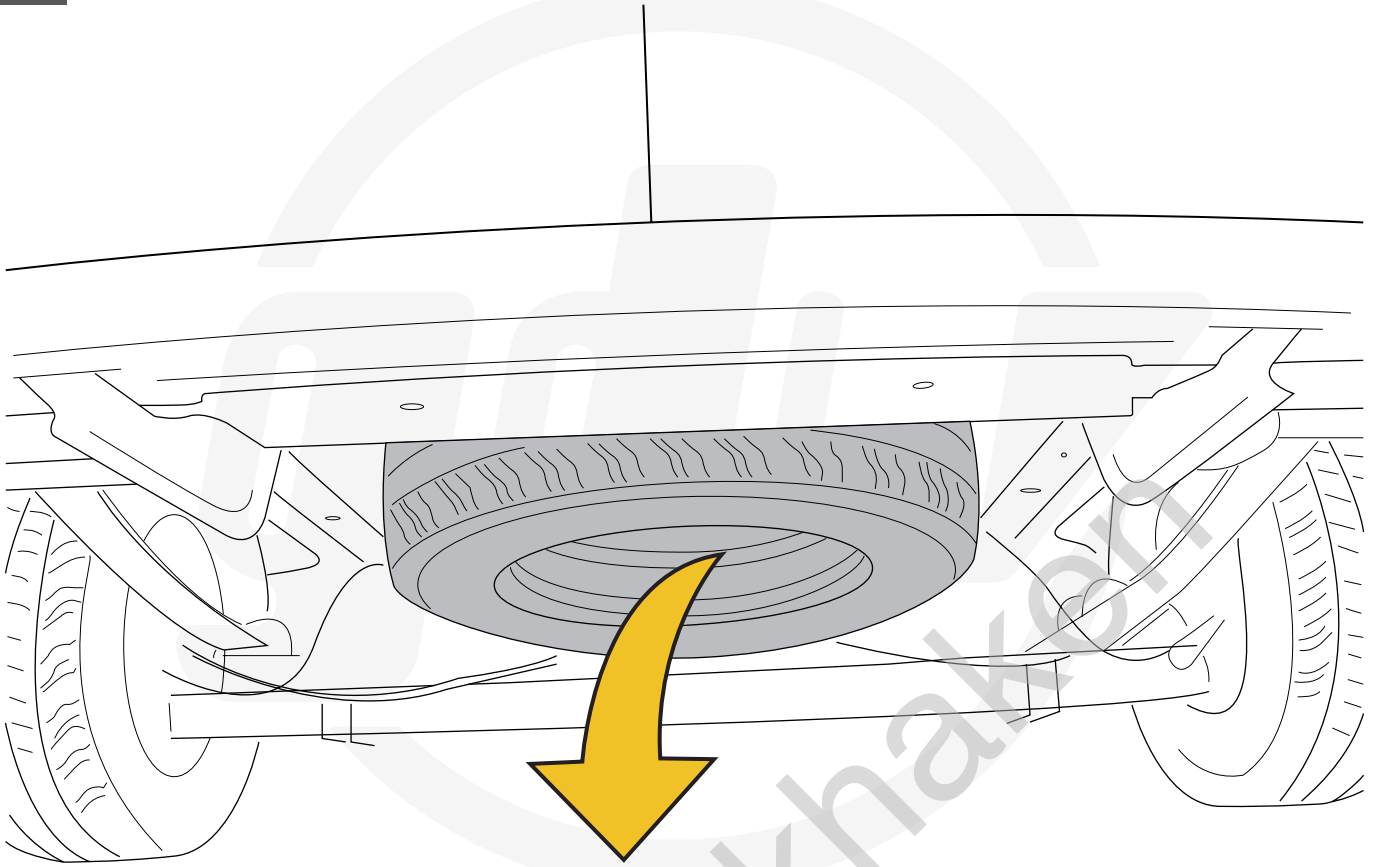




1		X1	GDW REF. 2332
2		X2	GDW REF. 2
3		X6	GDW REF. 3
4		X2	GDW REF. 4
5		X2	GDW REF. 5
6		X8	DIN931-M12X120
7		X5	DIN933-M12X40
8		X20	DIN125-A12-140HV-ELVZ
9		X13	DIN128A-M12
10		X13	DIN934-M12
-P		X1	GDW REF. P29

Geleverd met - Livré avec - Delivered with Geliefert mit - Elementos adjuntos - Leverages med		X1	740.000
		X2	DIN128A-M16
		X2	DIN931-M16x50_KL10
		X2	DIN934-M16_KL10

1

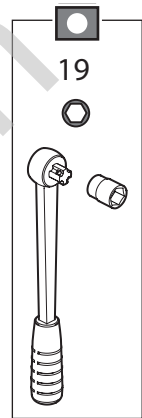
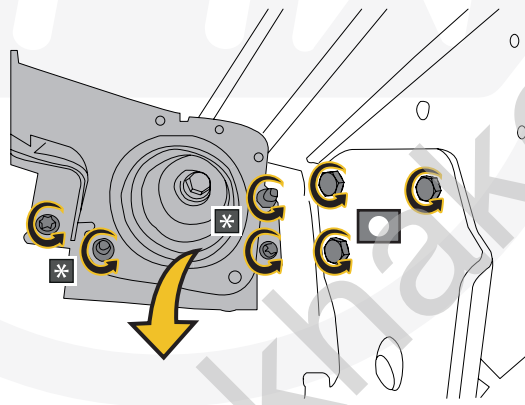
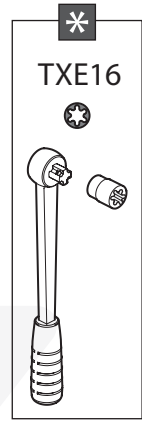
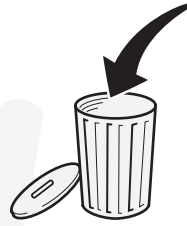
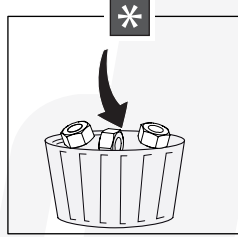
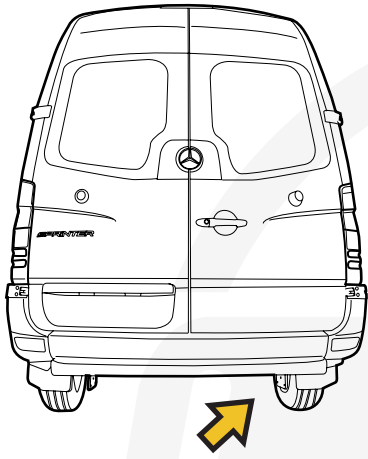


2

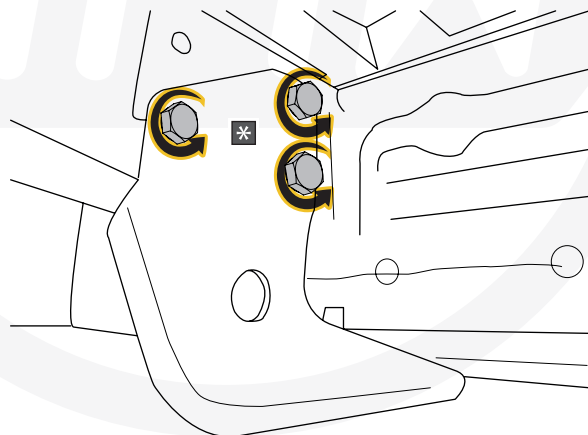
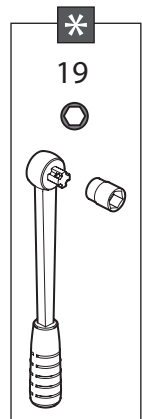
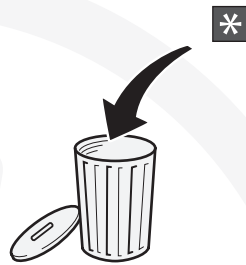
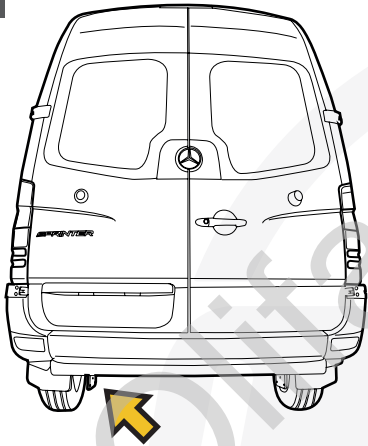
WITH STEP : 3-12

WITHOUT STEP : 13-20

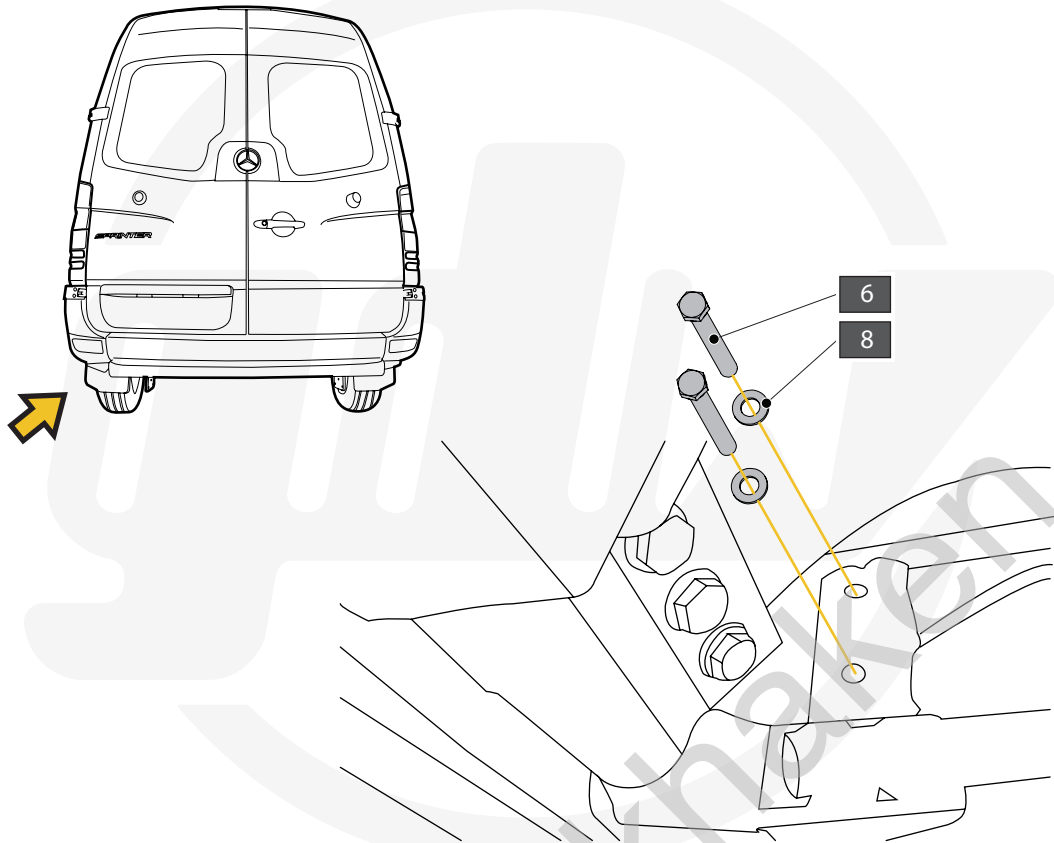
3



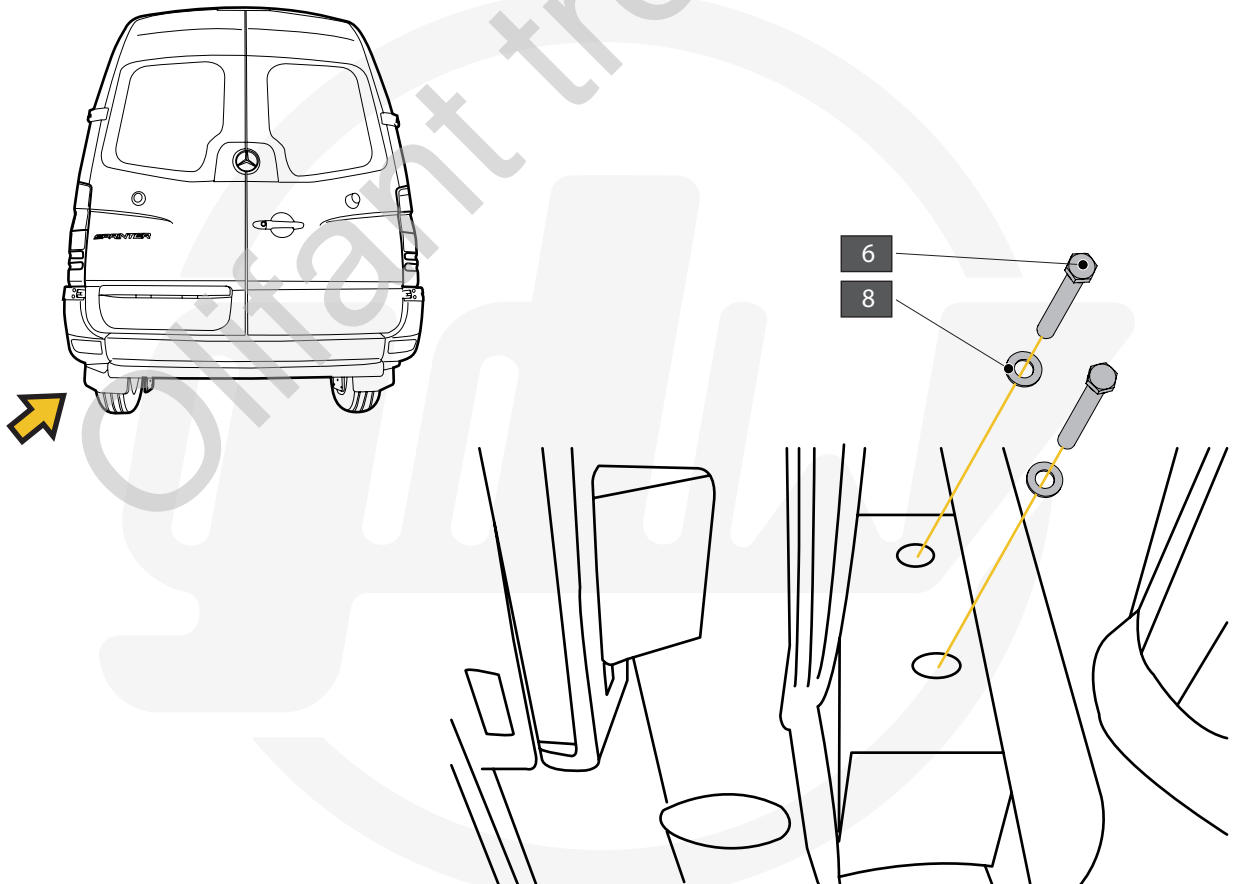
4



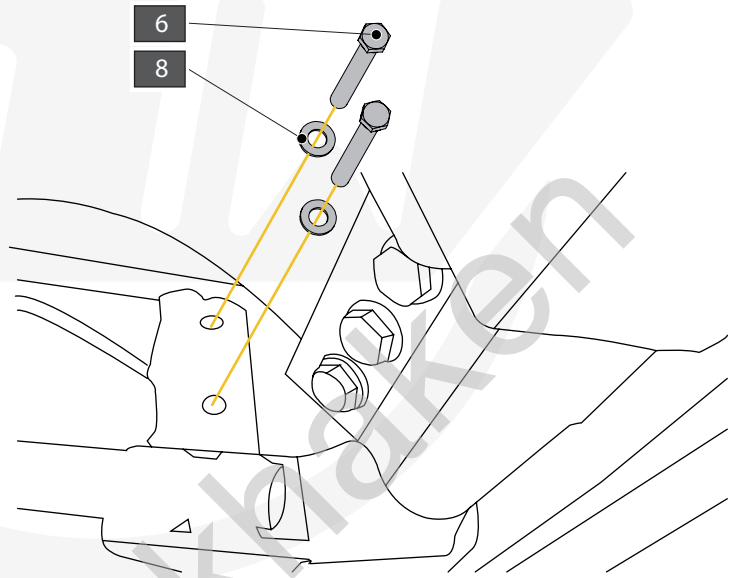
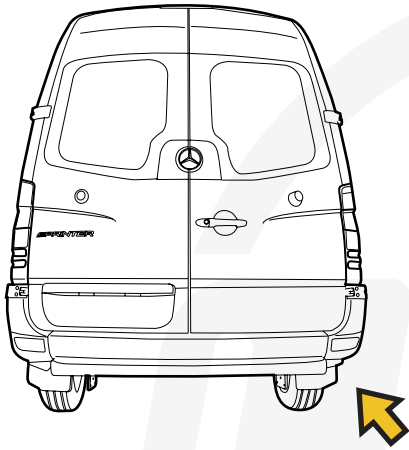
5



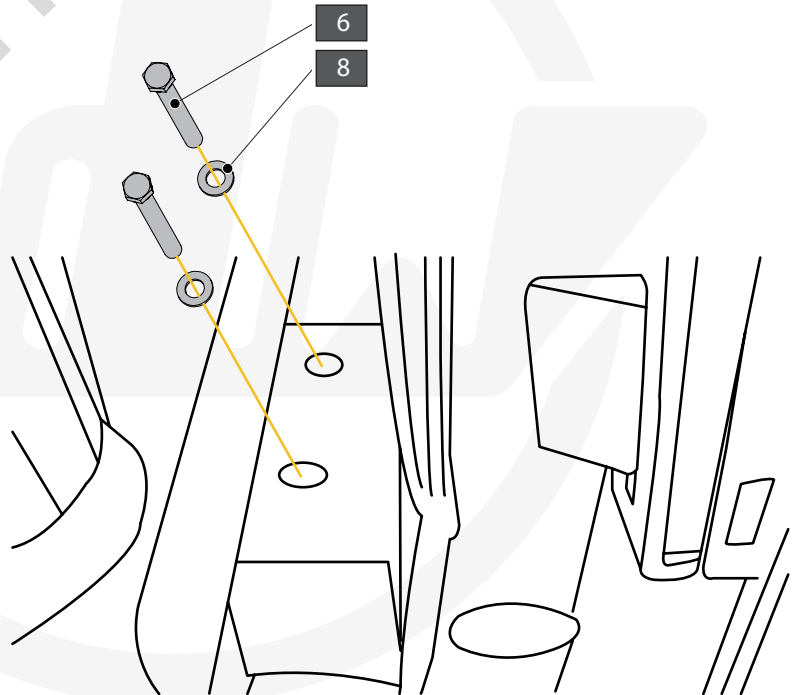
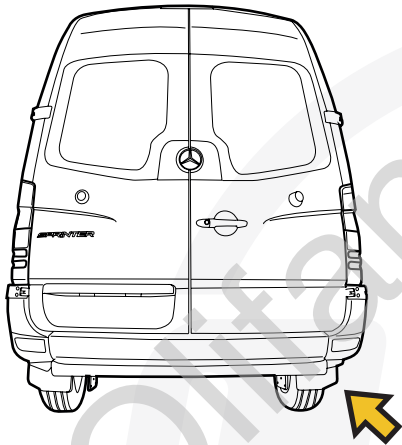
6



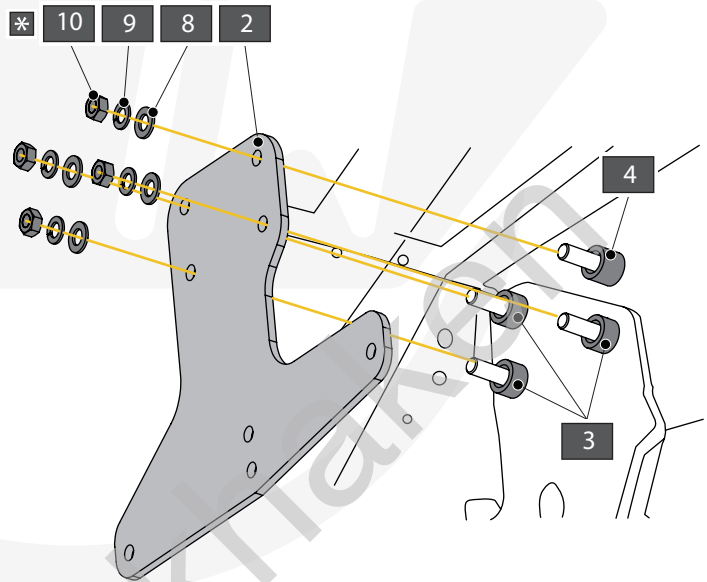
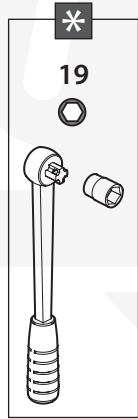
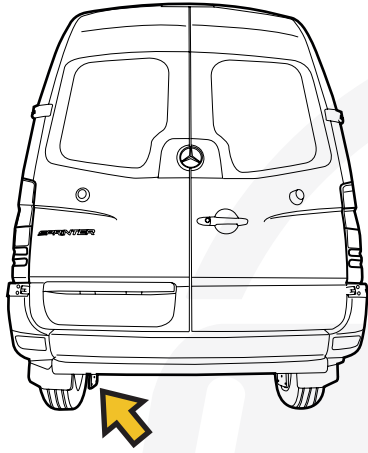
7



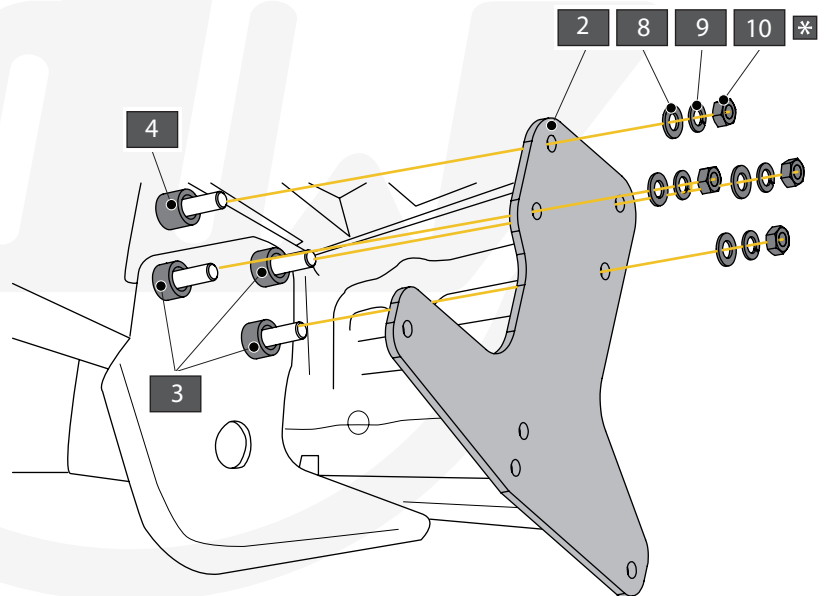
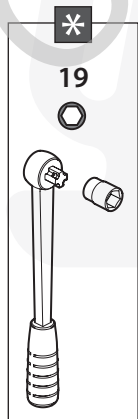
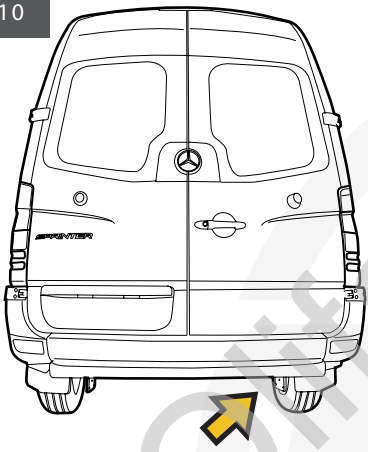
8

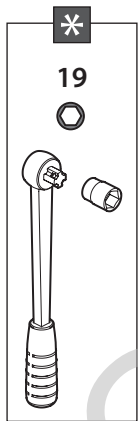
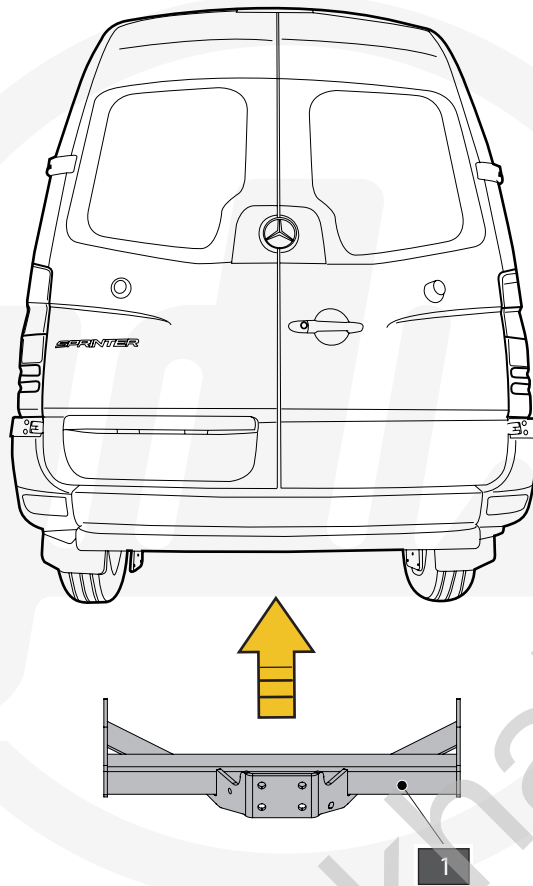


9

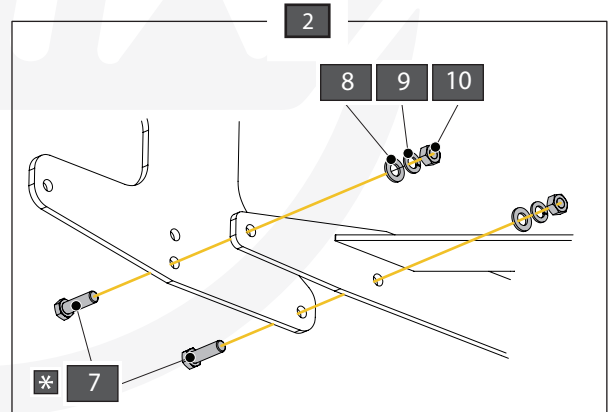
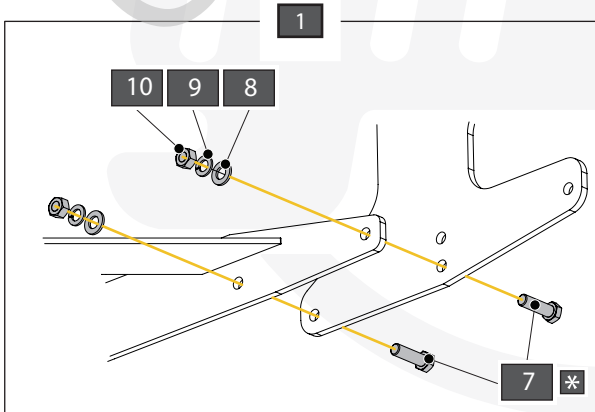
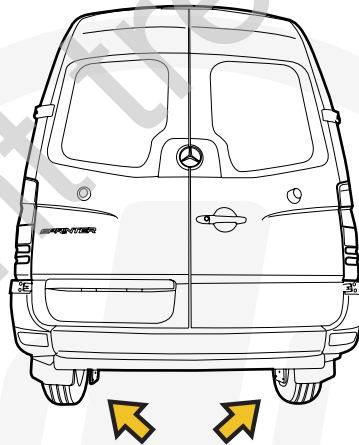


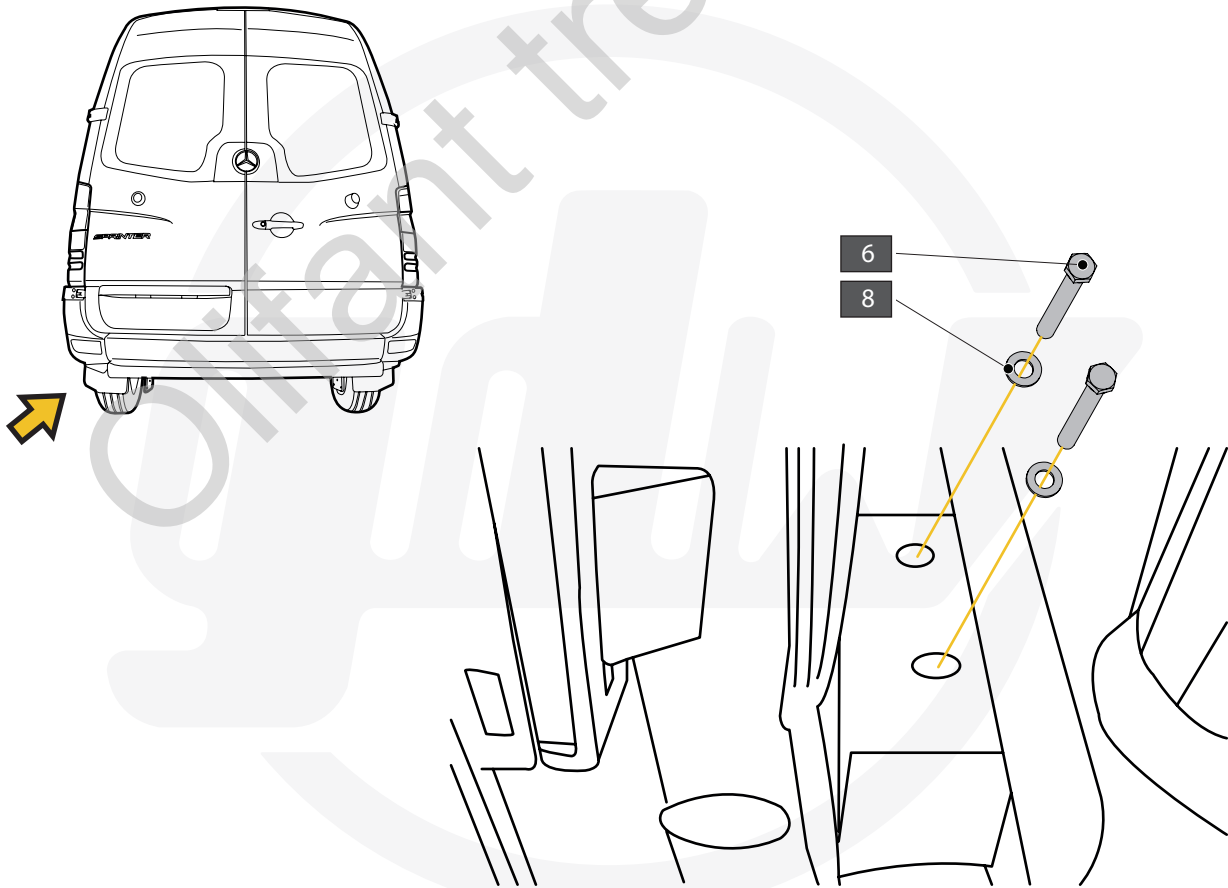
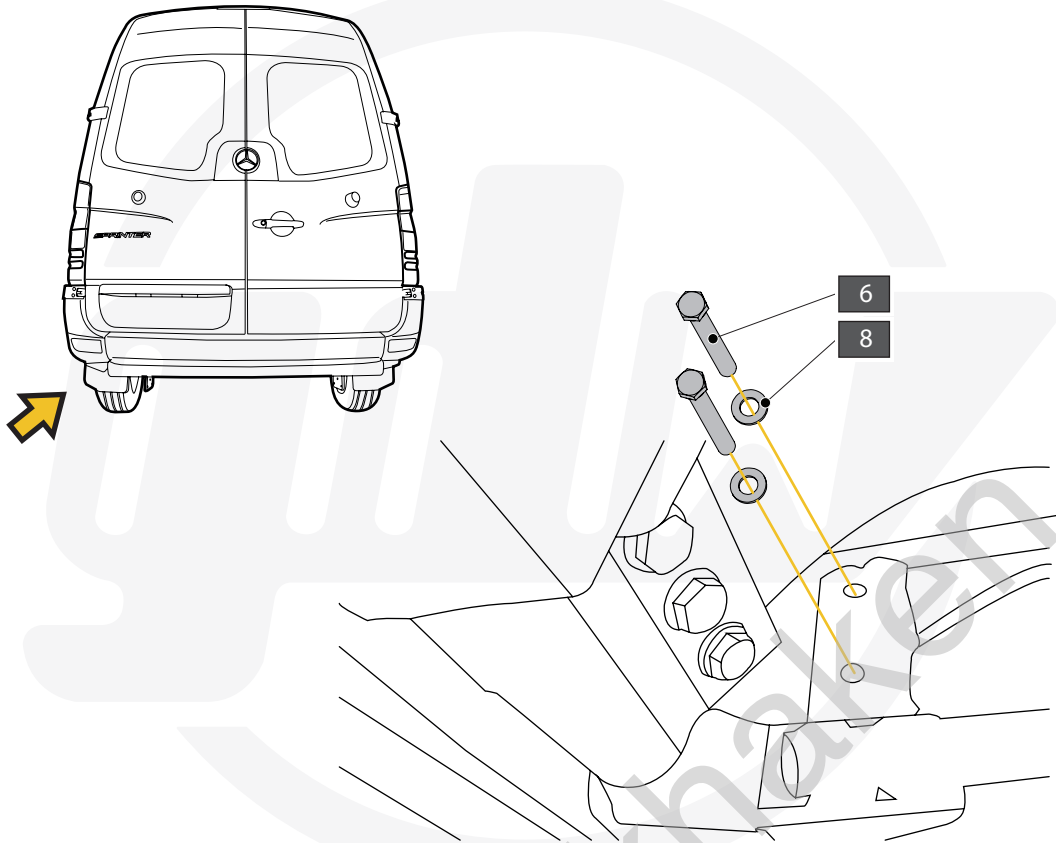
10

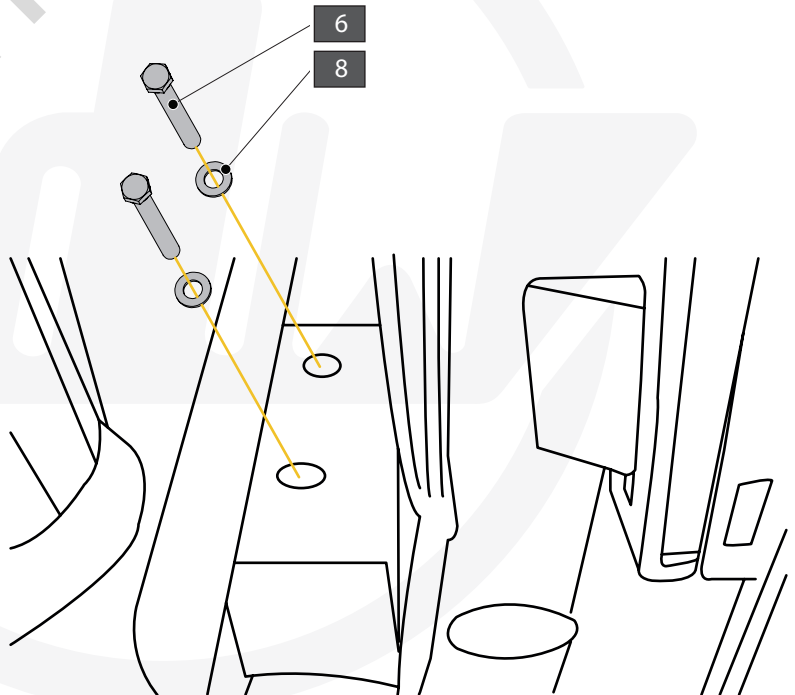
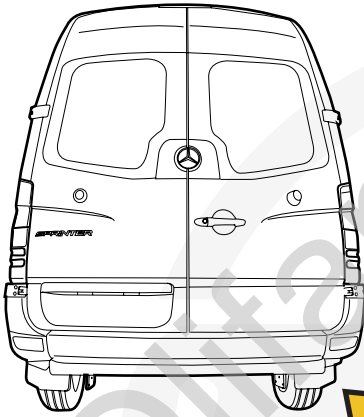
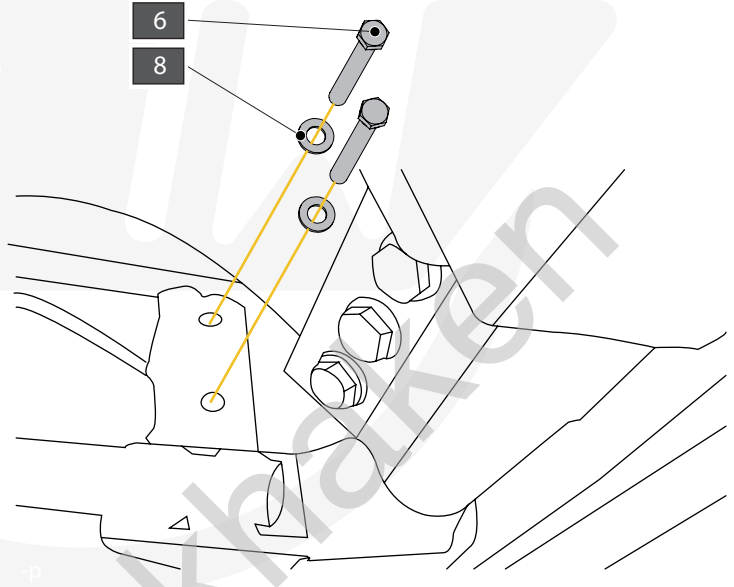
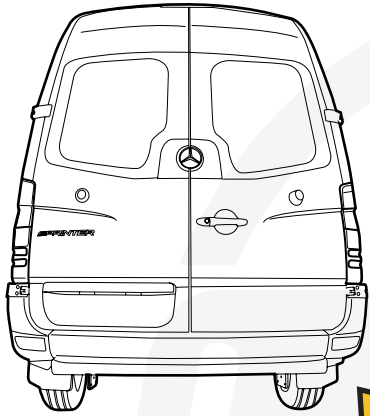


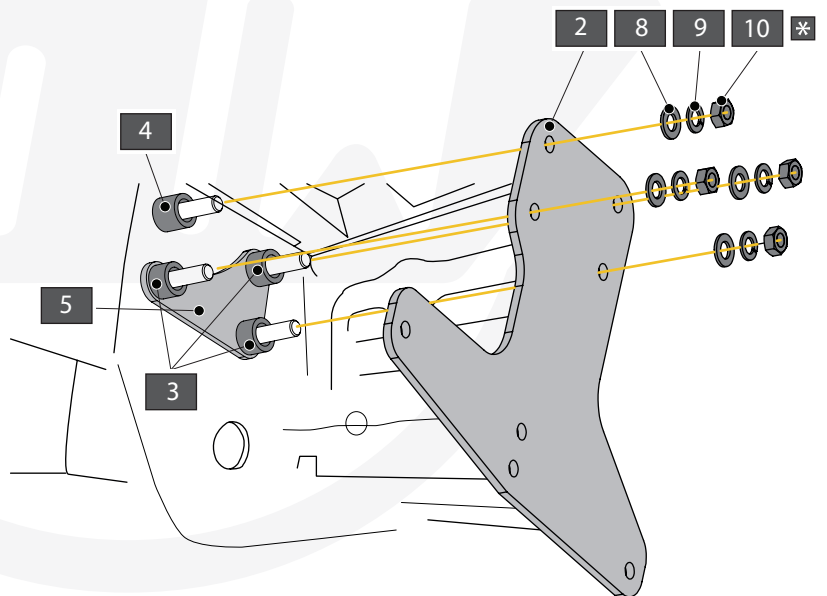
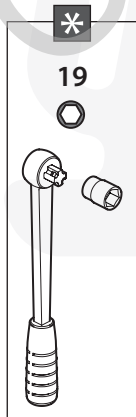
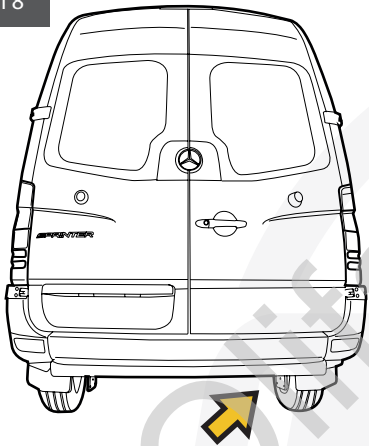
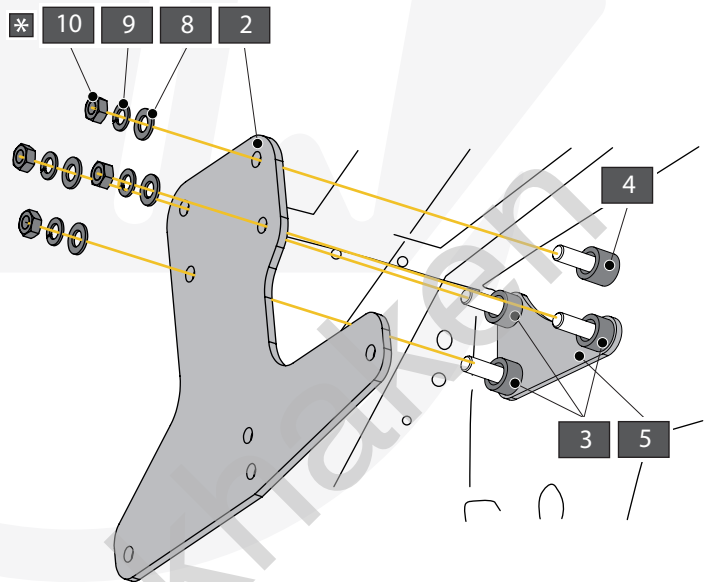
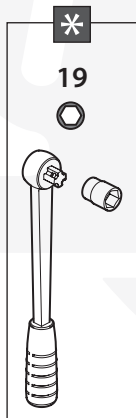
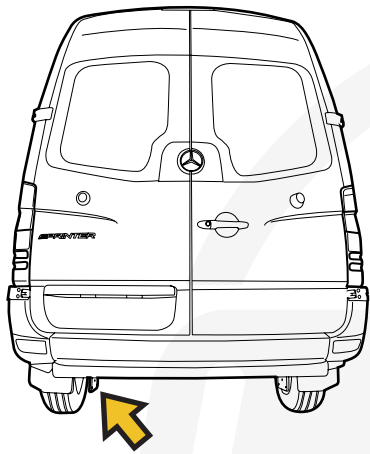


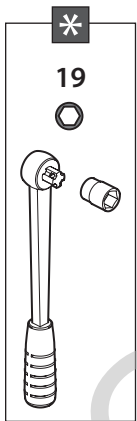
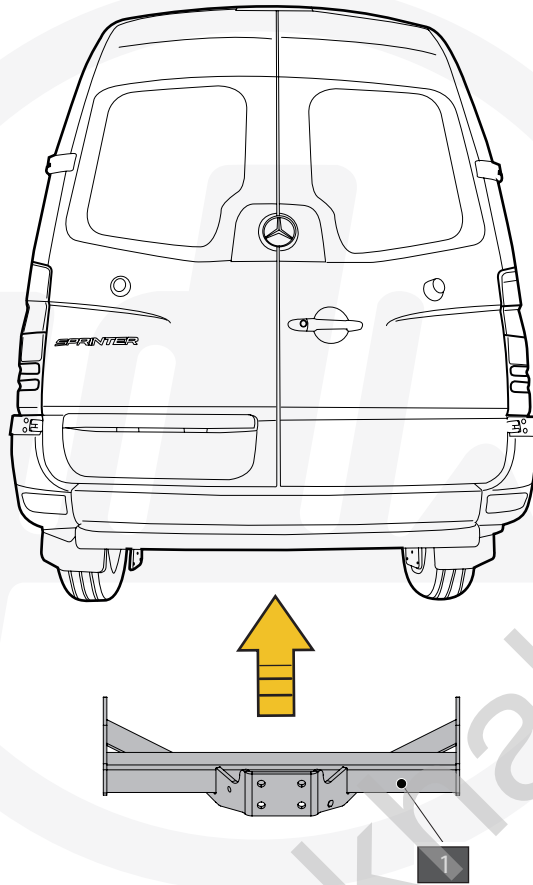
93,0 Nm



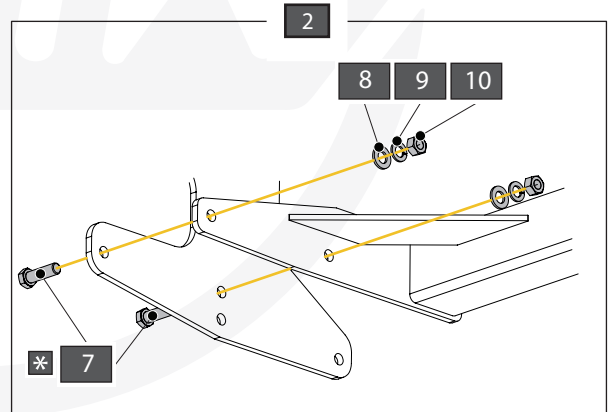
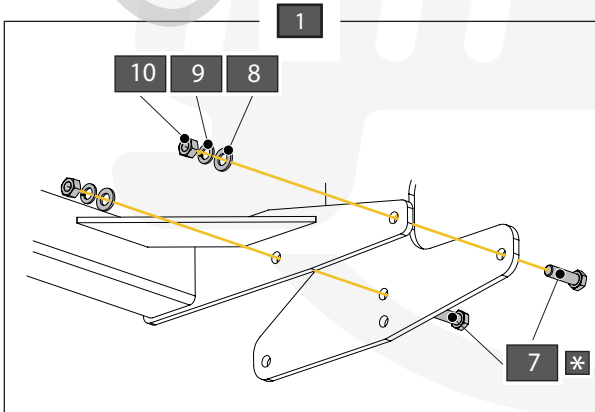
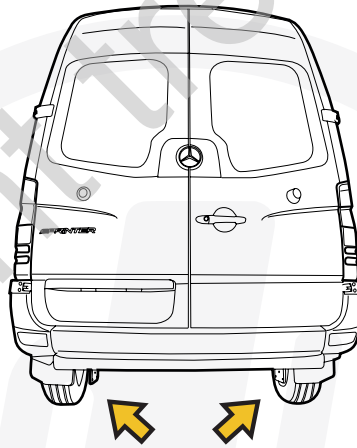


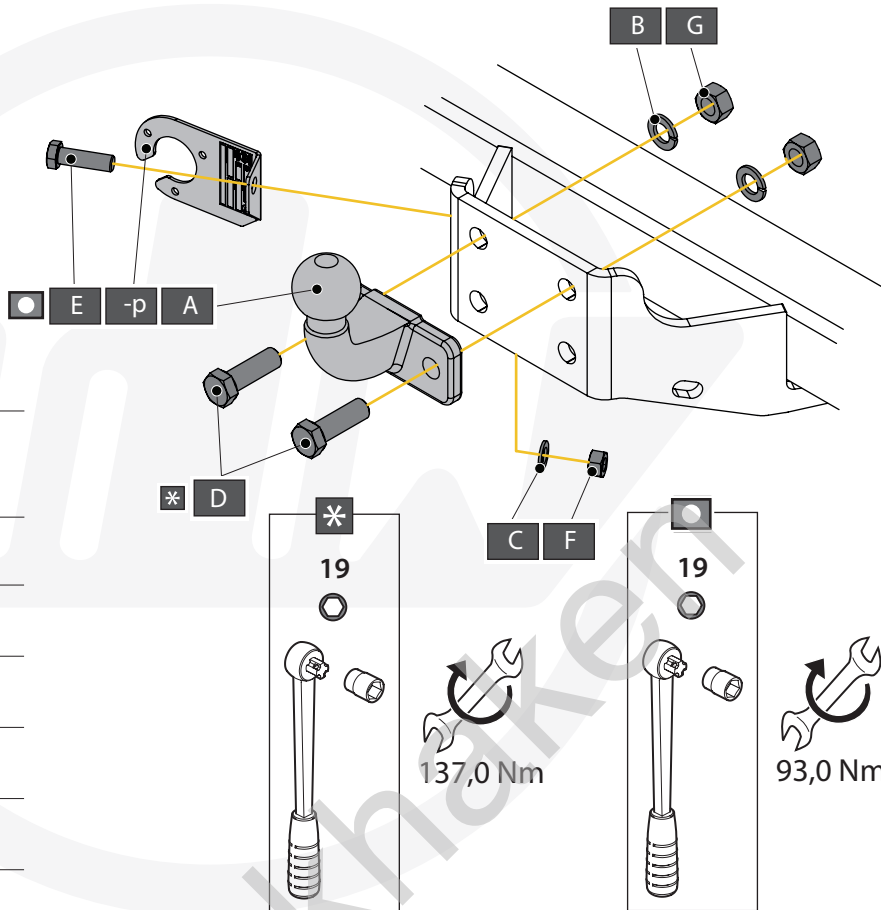




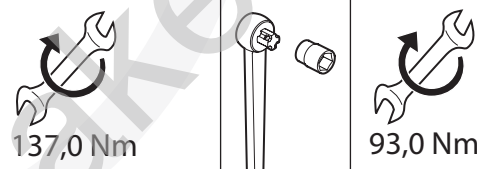


93,0 Nm

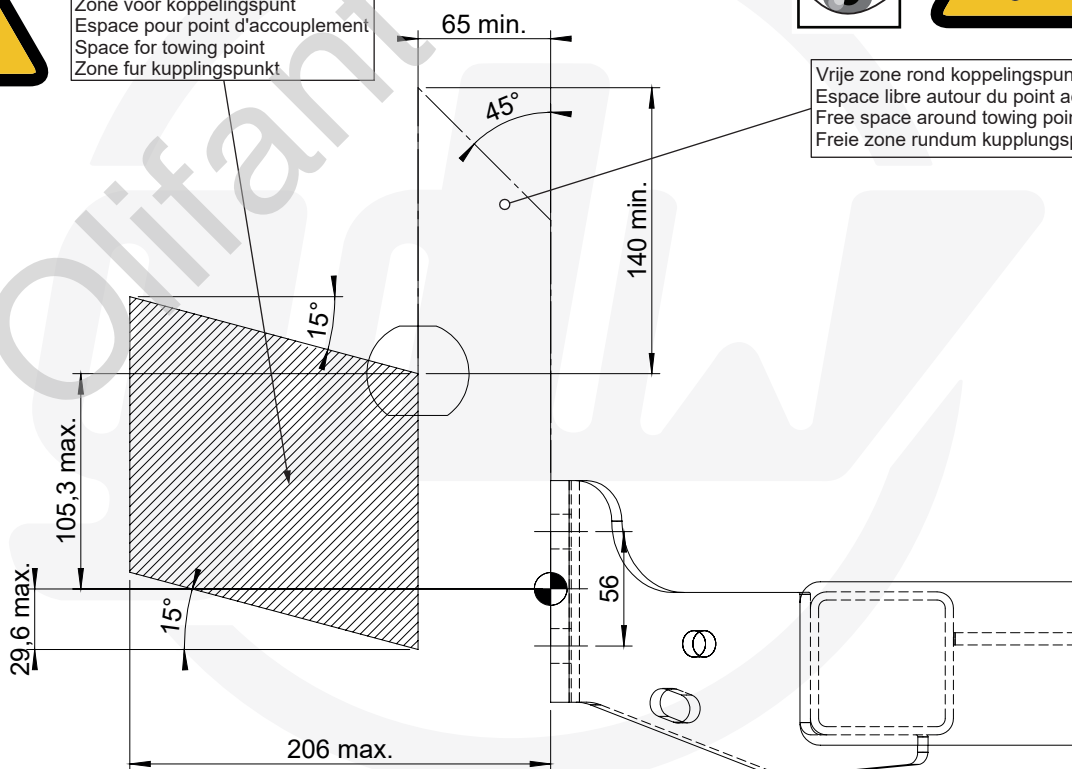




A		X1	740.000
B		X2	DIN128A-M16
C		X1	DIN128A-M12
D		X2	DIN933-M16 x 50_10.9
E		X1	DIN933-M12 x 40
F		X1	DIN934-M12
G		X2	DIN934-M16_KL10



Zone voor koppelingspunt
Espace pour point d'accouplement
Space for towing point
Zone für Kupplungspunkt



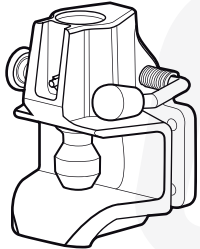
Vrije zone rond koppelingspunt
Espace libre autour du point accouplement
Free space around towing point
Freie zone rundum Kupplungspunkt

RK100WISSE

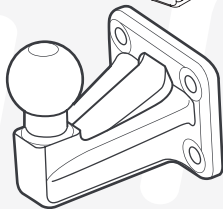
RK100BASIS

RK100KAP

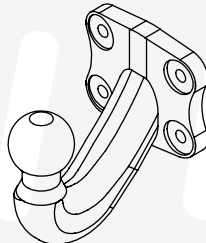
VARIOBLOCK



RK243U115E



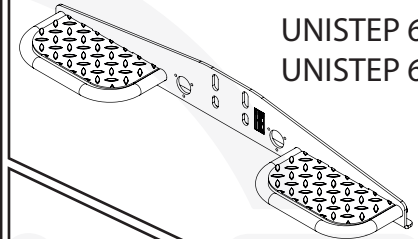
740.010



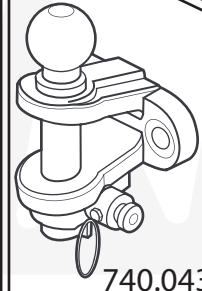
740.011



Art. **ADAPT83x56**

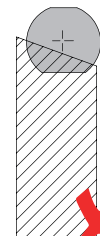
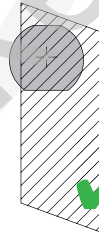
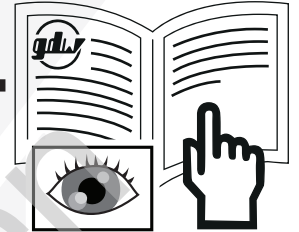


UNISTEP 630.100
UNISTEP 630.110

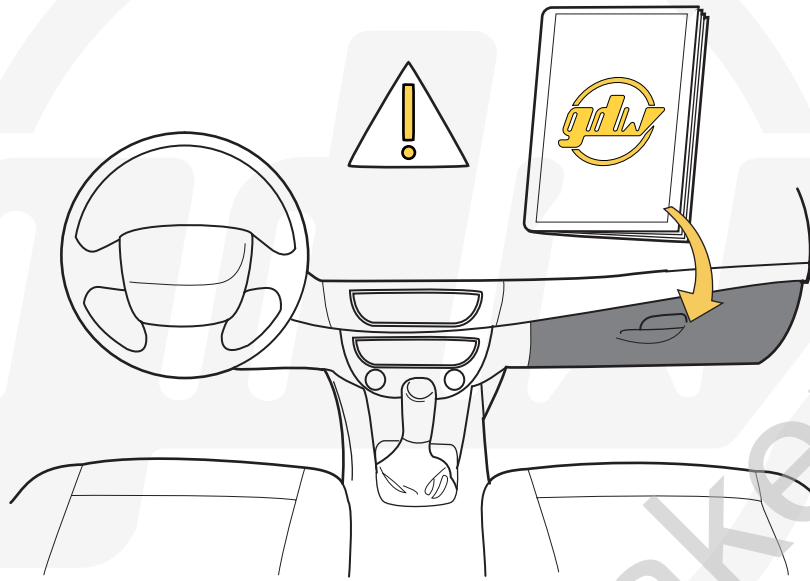


740.043

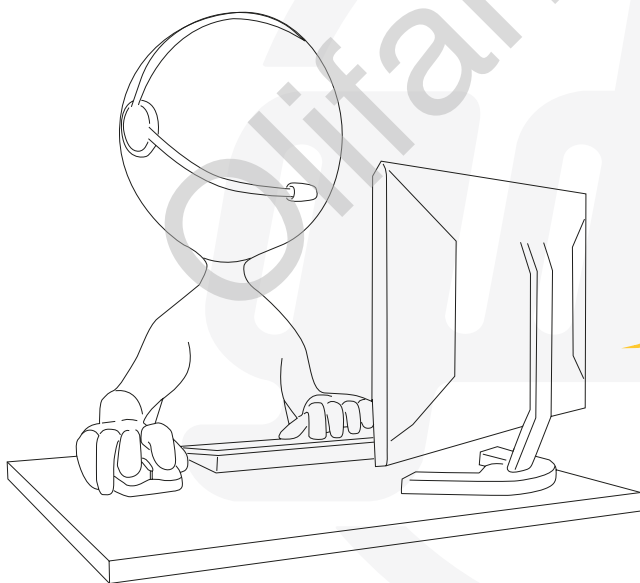
+



!



HELP



helpdesk@gdwtowbars.com
+32 56 62 77 79

Monday	08:00 - 12:00	12:30 - 16:30
Tuesday	08:00 - 12:00	12:30 - 16:30
Wednesday	08:00 - 12:00	12:30 - 16:30
Thursday	08:00 - 12:00	12:30 - 16:30
Friday	08:00 - 12:00	12:30 - 15:30