

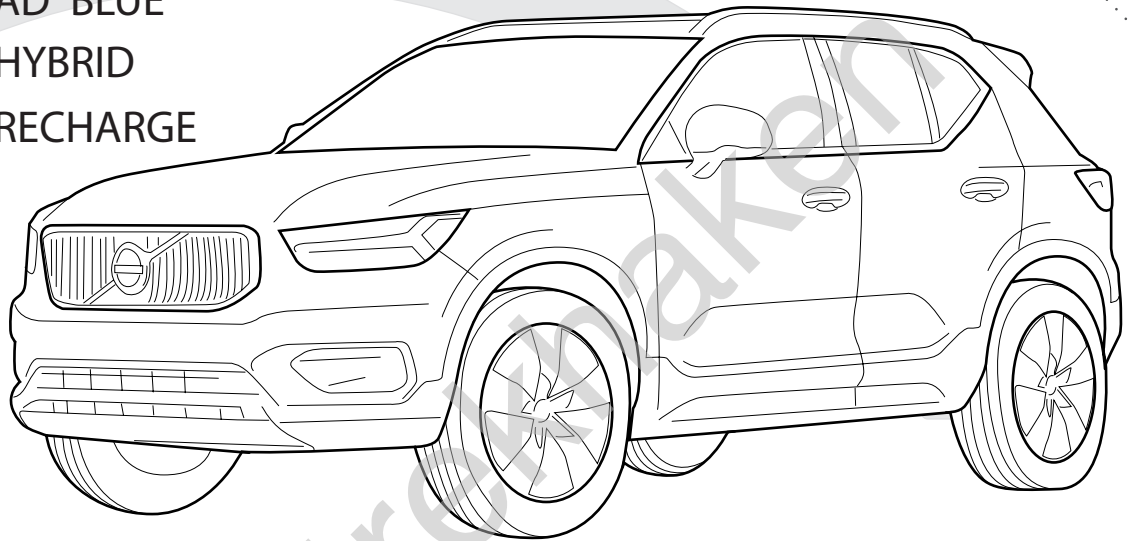


Volvo XC40 (type 536)

10/'17-



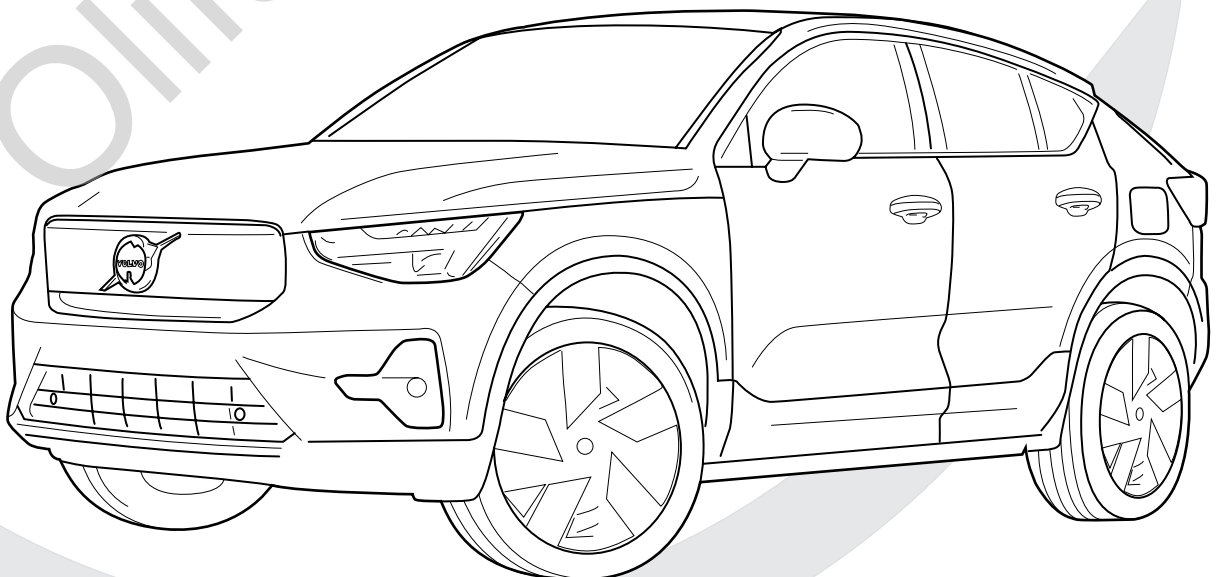
- ✓ STANDARD
- ✓ MOMENTUM
- ✓ R-DESIGN
- ✓ INSCRIPTION
- ✓ AD-BLUE
- ✓ HYBRID
- ✓ RECHARGE

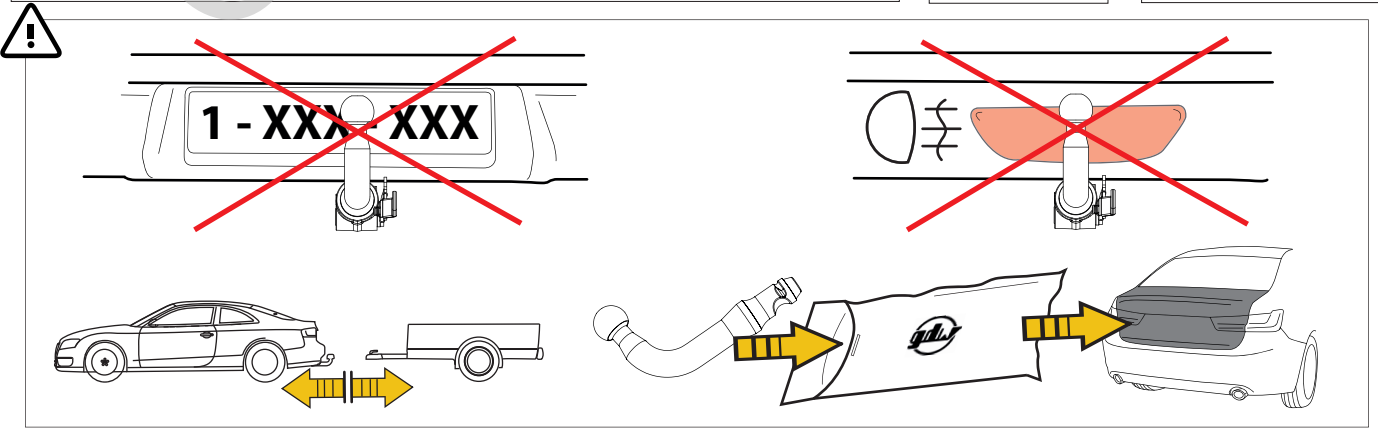
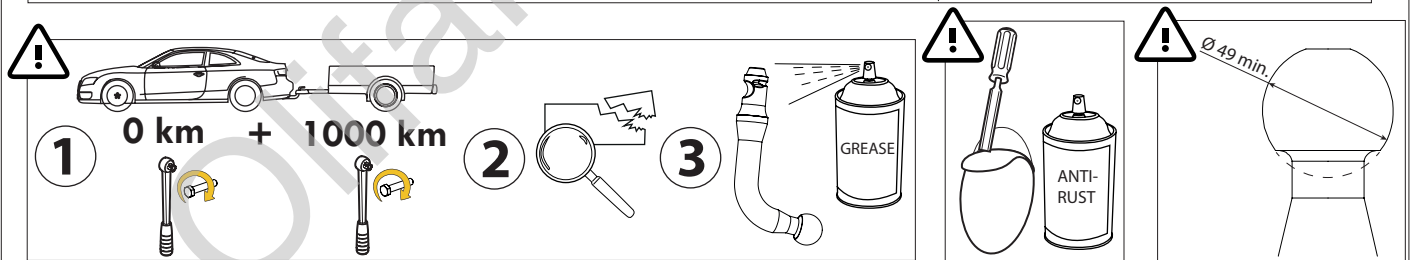
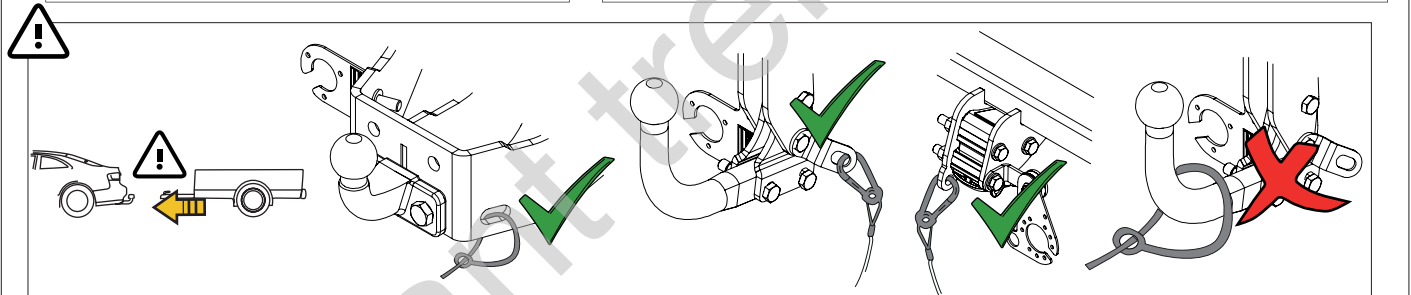
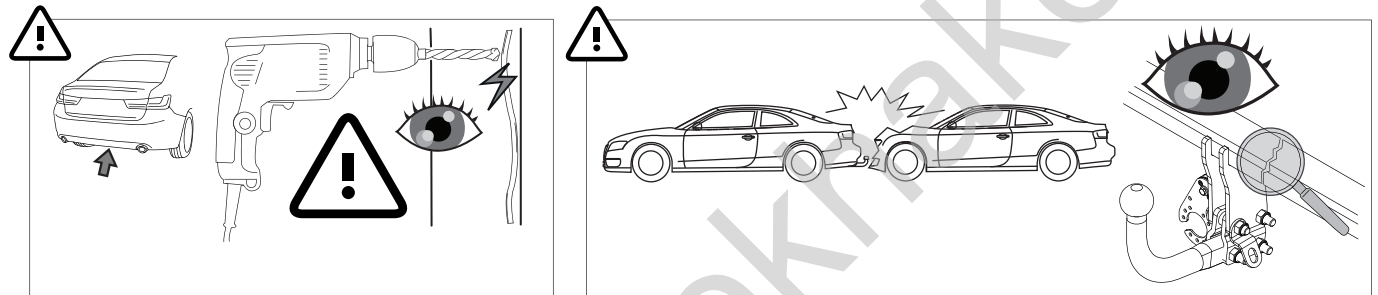
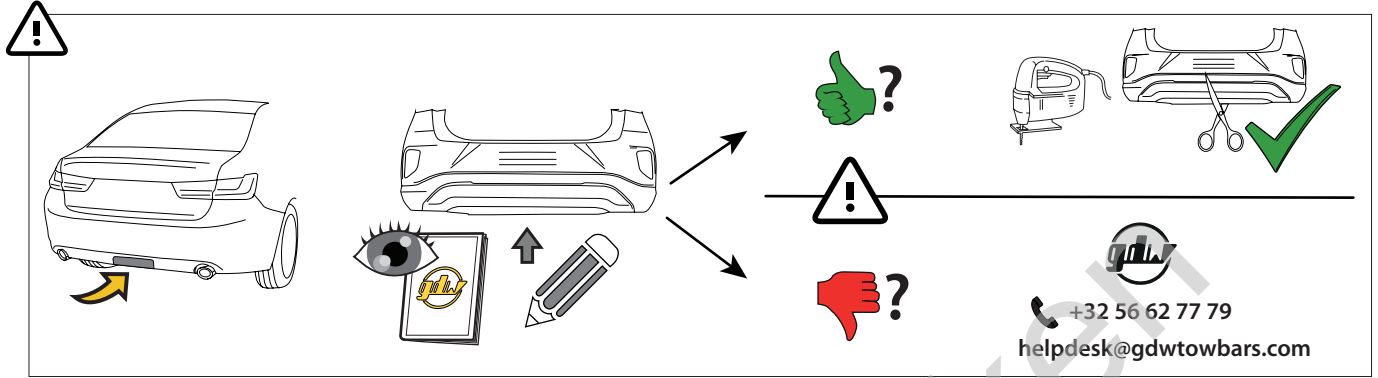
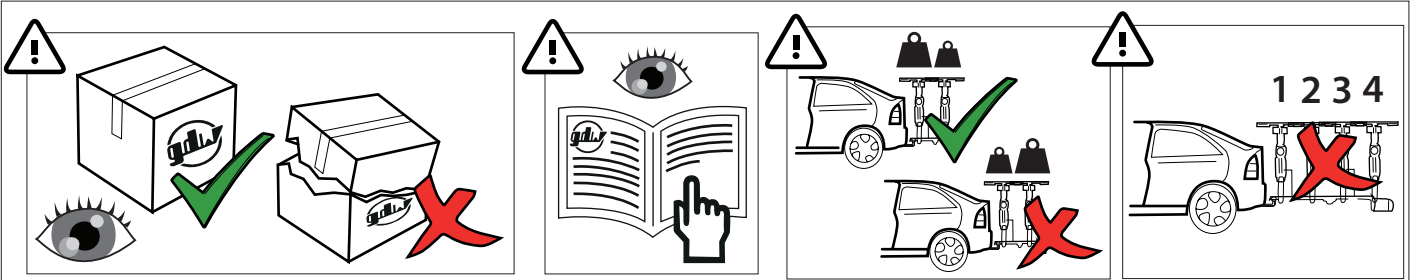


Volvo C40 EV (type 539)

10/'21-

- ✓ STANDARD
- ✓ VEHICLES WITH KICK SENSOR





MADE BY



D 11,50

F

E6

BELGIUM

S 120

EC-N°

55R-02 1456

REF N°

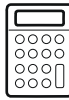
2295

SERIAL N°

XXXX

DESCRIPTION

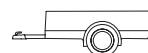
Volvo XC40 10/'17- & Volvo C40 10/'21-



D =



max kg



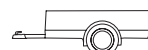
max kg

X

X 0.00981 ≤ 11,50 kN



max kg



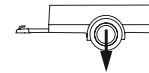
max kg

+



S =

≤ 120 kg



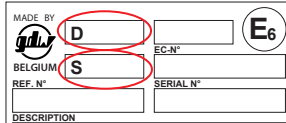
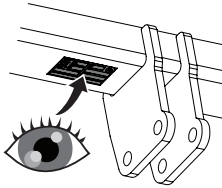
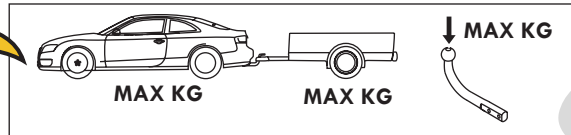
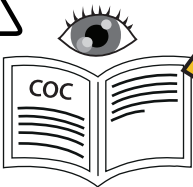
≤ 2100 kg



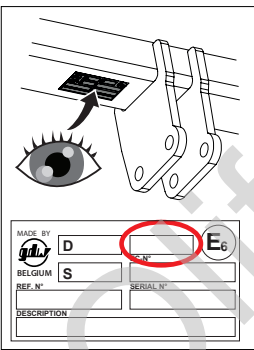
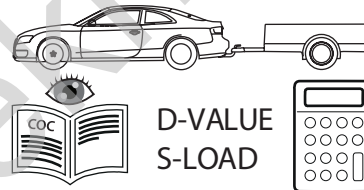
See the Certificate Of Conformity (COC) of your vehicle or contact your dealer to verify the max. trailer weight of your car!



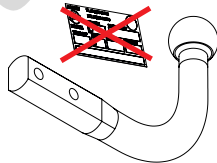
See the user manual of the vehicle for correct use of bicycle carriers!



≥

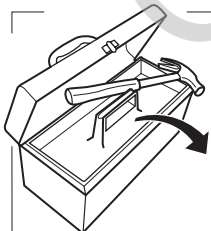
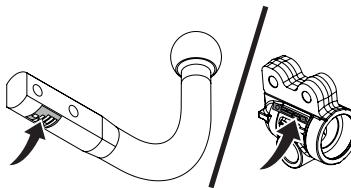


A50-X?



F?

+



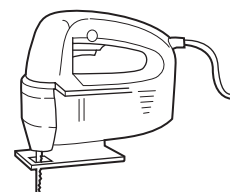
TX25

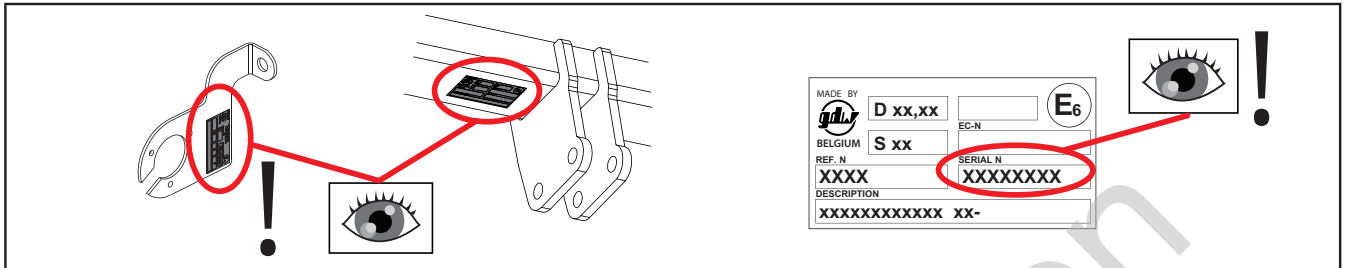
10

15

17

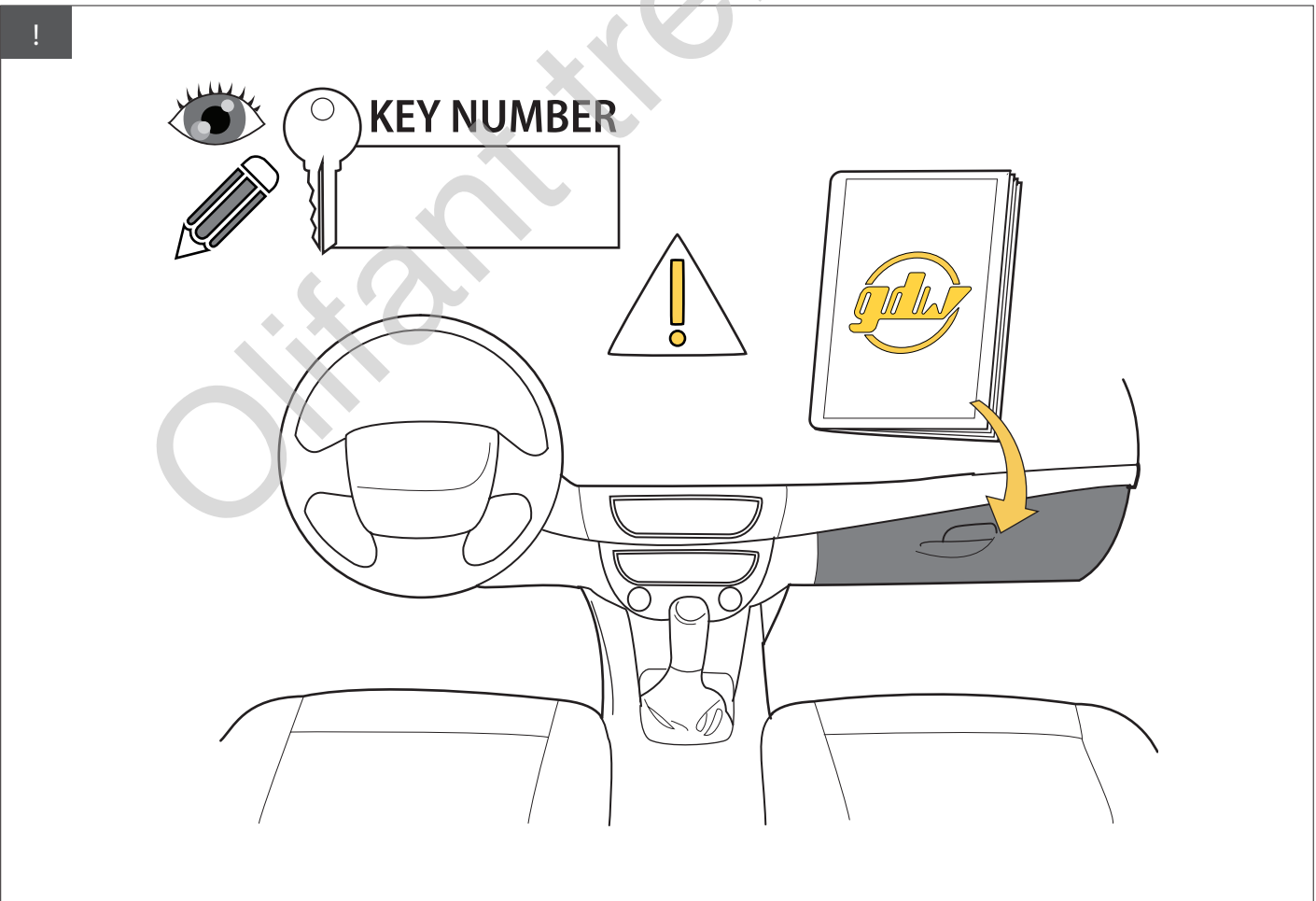
19

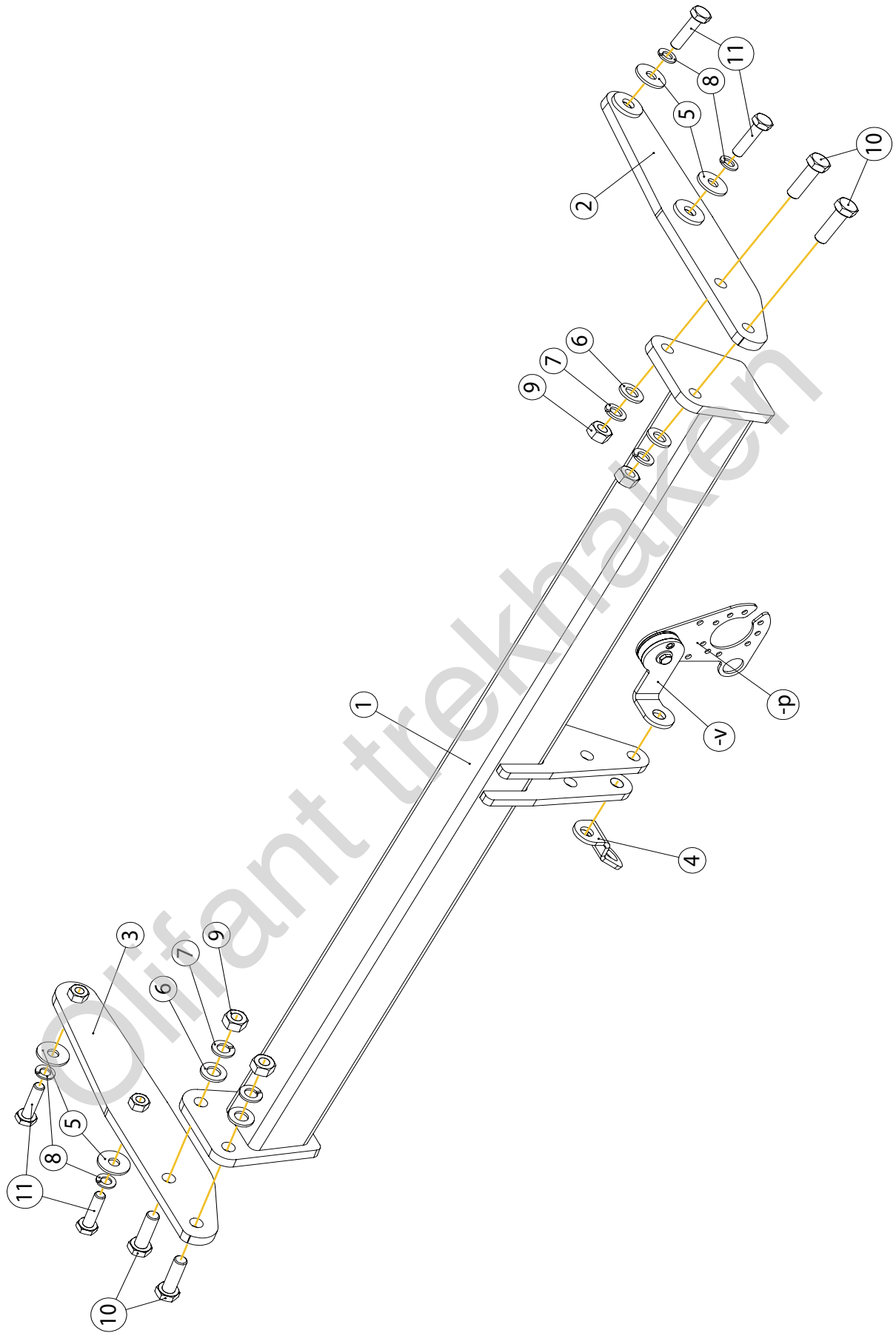


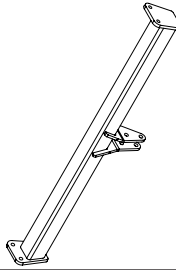
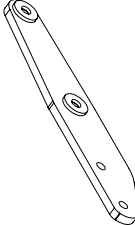
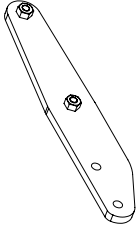











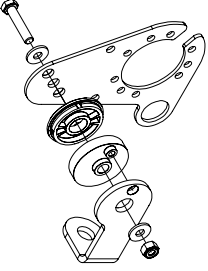




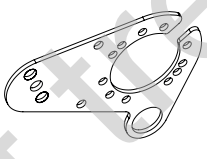


helpdesk@gdwtowbars.com
+32 56 62 77 79

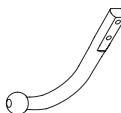



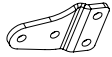
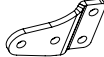
Monday	08:00 - 12:00	12:30 - 16:30
Tuesday	08:00 - 12:00	12:30 - 16:30
Wednesday	08:00 - 12:00	12:30 - 16:30
Thursday	08:00 - 12:00	12:30 - 16:30
Friday	08:00 - 12:00	12:30 - 15:30






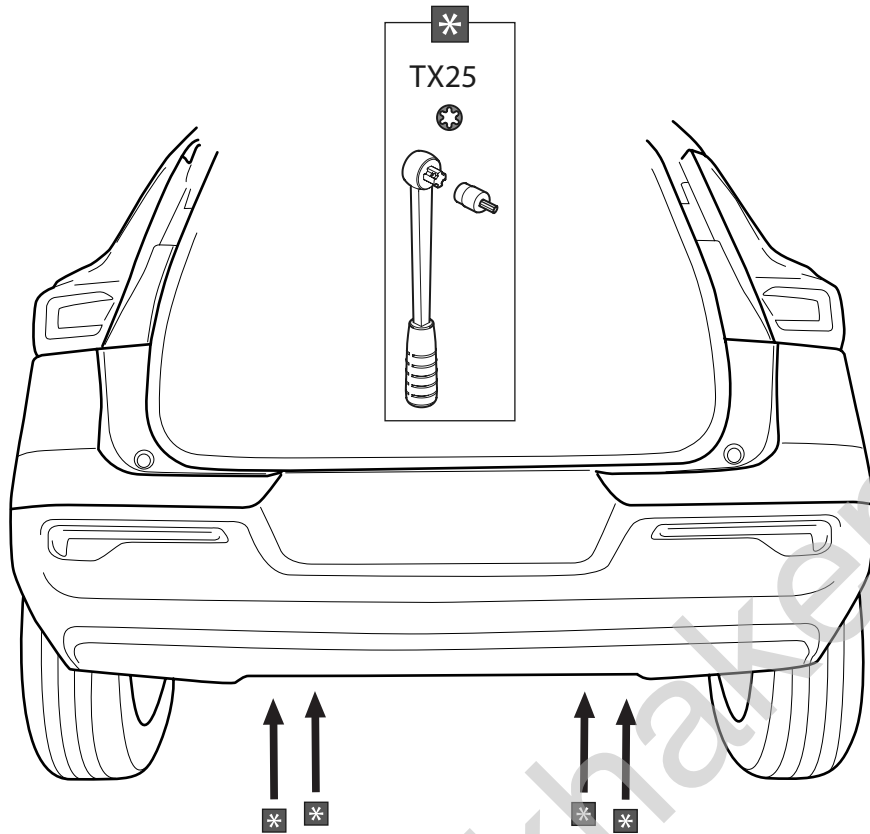
1		X1	GDW REF. 2295
2		X1	GDW REF. 2
3		X1	GDW REF. 3
4		X1	GDW REF. 4
5		X4	DIN 9021-10.5X30X2.5
6		X4	DIN 125A-13X24X2.5
7		X4	GROWER VSK-M12
8		X4	GROWER VSK-M10
9		X4	DIN 934-M12
10		X4	DIN 933-M12X40
11		X4	DIN 933-M10X40-T0.9
-V		X1	GDW REF. 908.102-010

-P		X1	GDW REF. P43
L		X1	DIN985-M6
L		X2	6,2 X 15,4 X 1,6 (NYLON)
L		X1	GDW REF. 718.16.002
L		X1	GDW REF. 718.16.003
L		X1	GDW REF. 908.100
L		X1	DIN933-M6 X 30
L		X1	GDW REF. 908.102-010

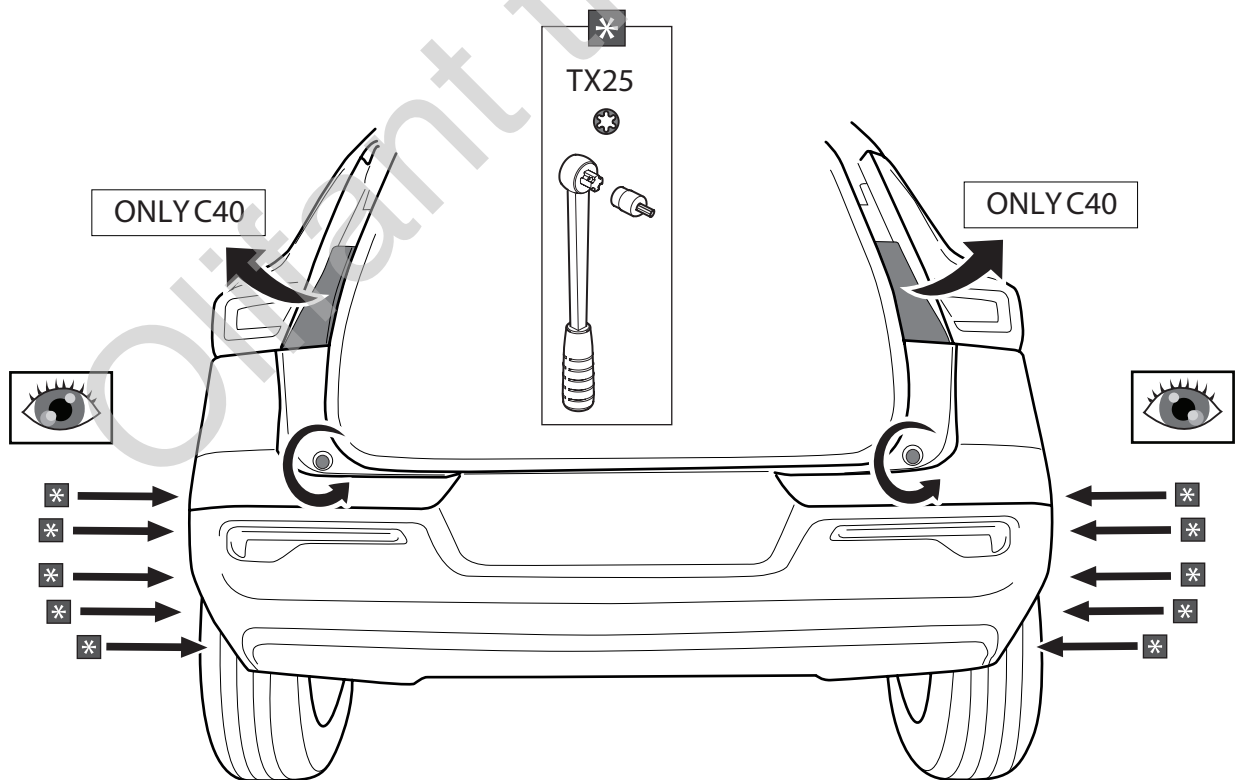
Geleverd met - Livré avec - Delivered with Geliefert mit - Elementos adjuntos - Leverages med - Forniti insieme	
	X1 944.J006
	X4 DIN931-M12 X 70
	X4 DIN985-M12
	X2 GDW REF. 900.011 Ø 21,3 X 11,7
	X1 GDW REF. 900.025
	X1 GDW REF. 900.026

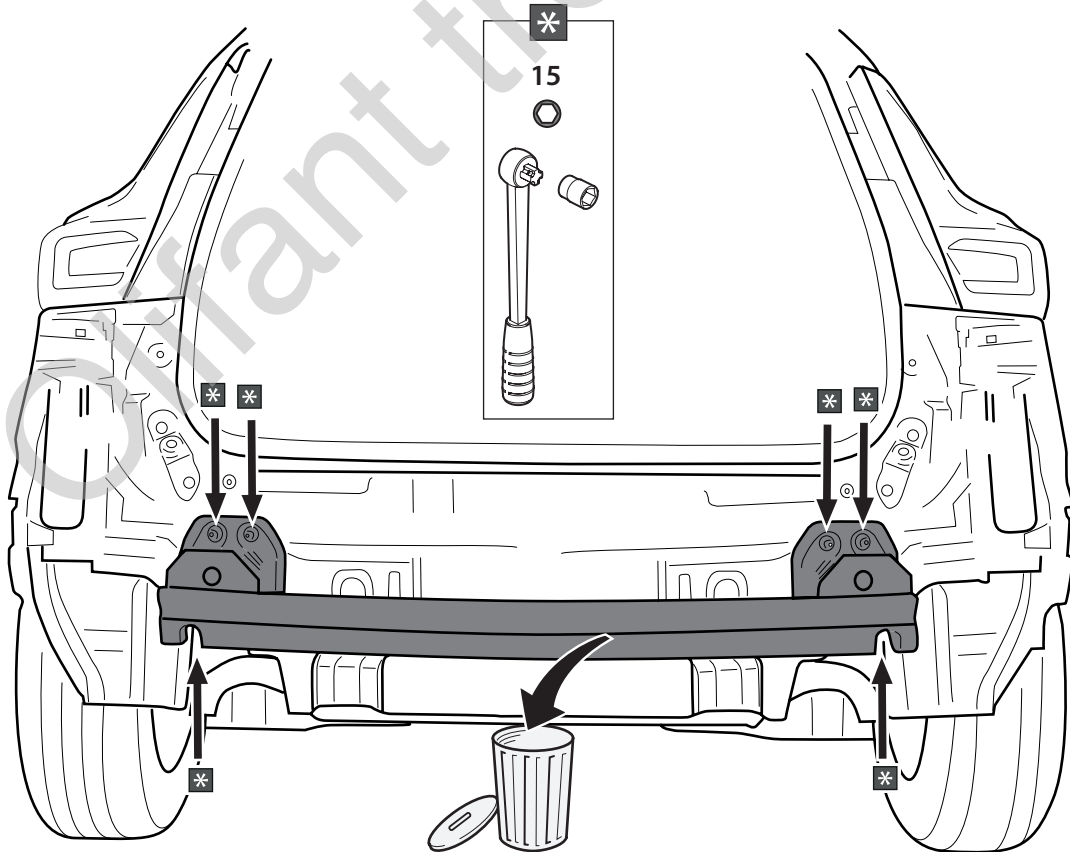
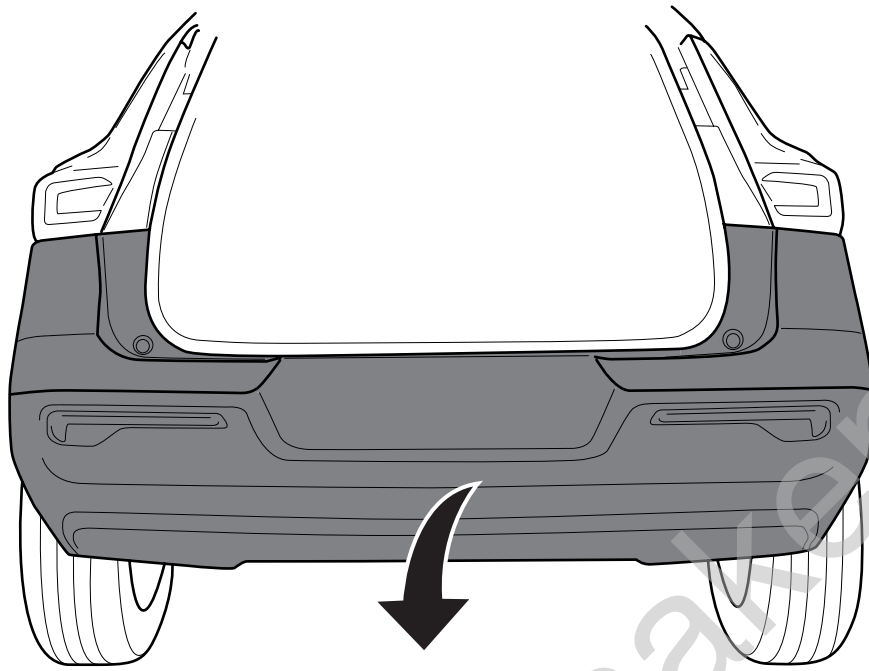
OPTION T38		
	X1	KITT38-2787

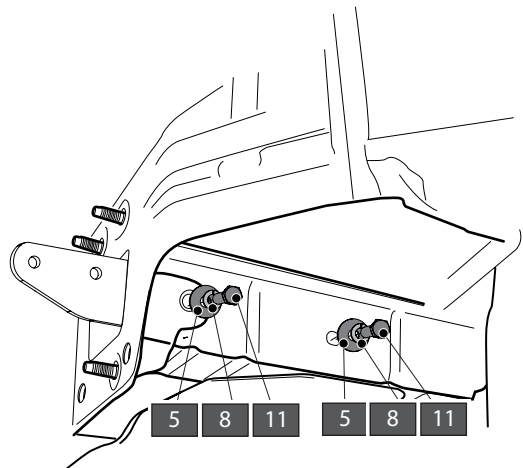
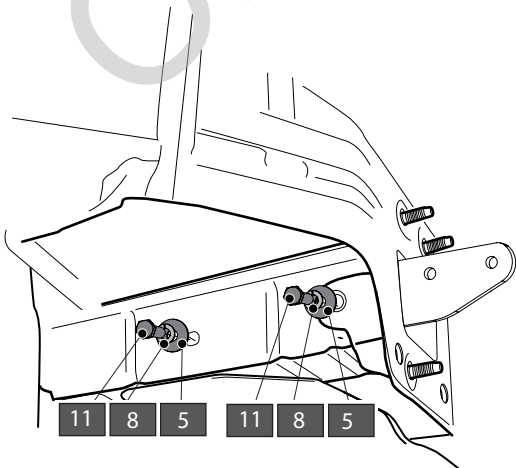
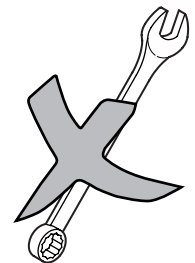
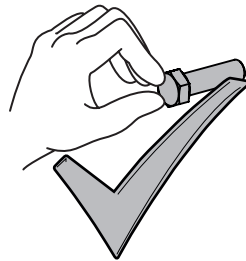
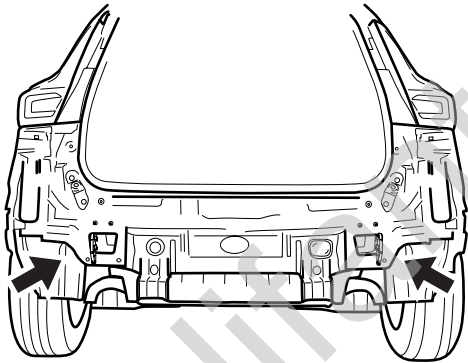
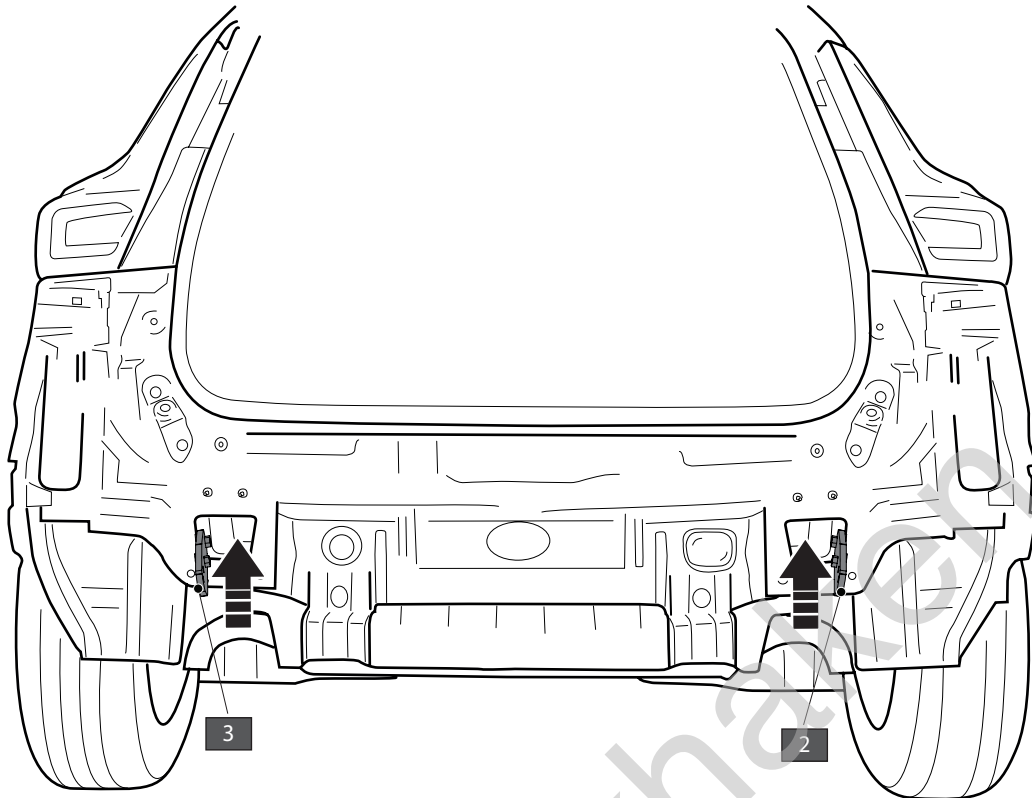
1



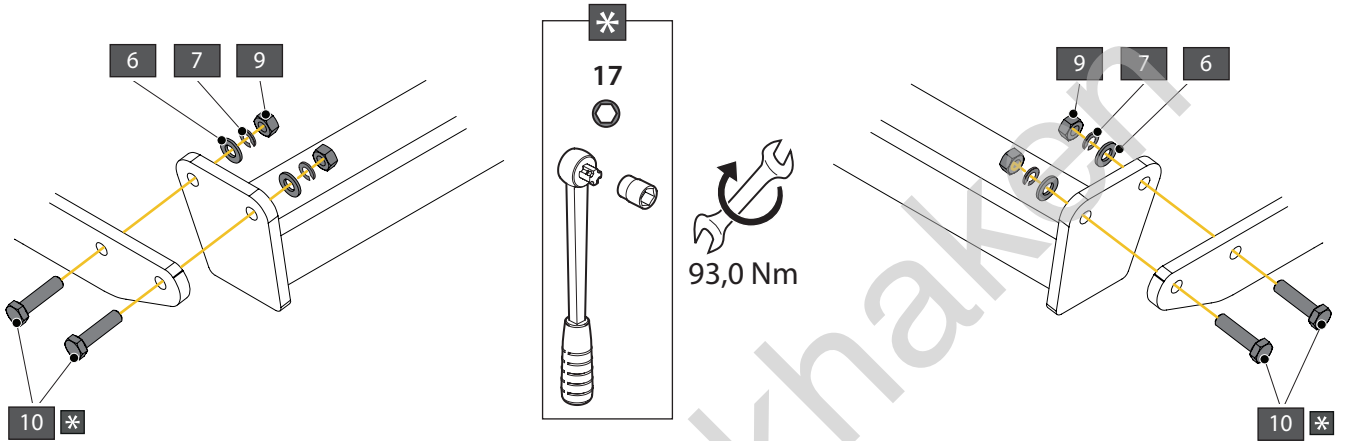
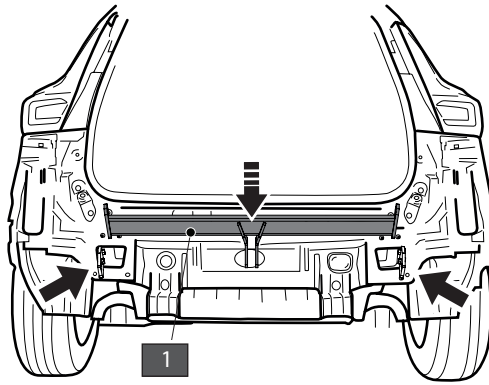
2



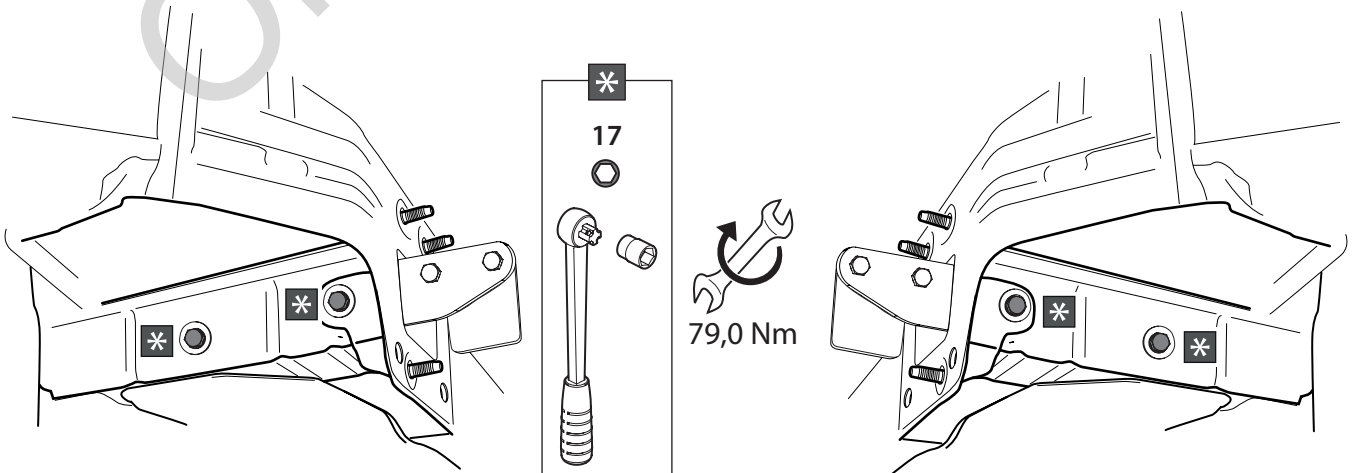
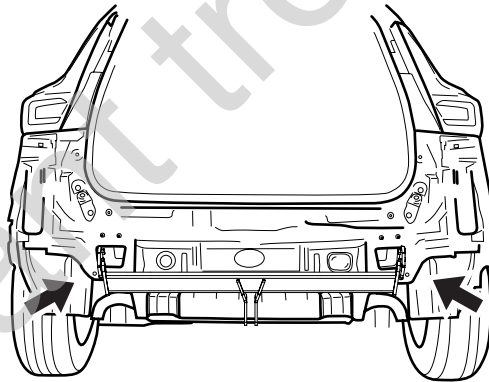


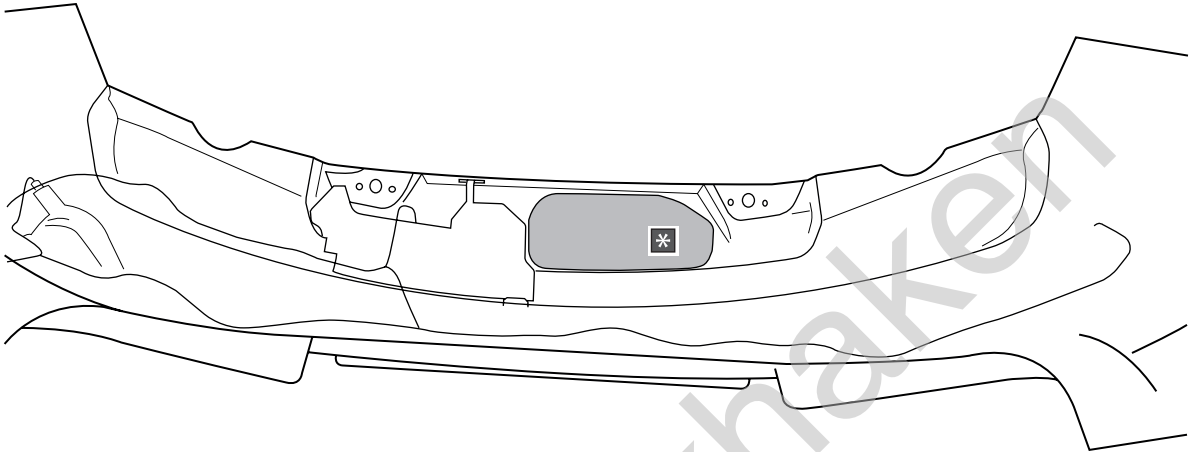
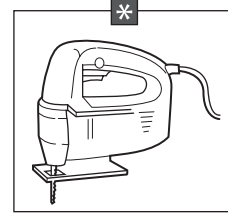
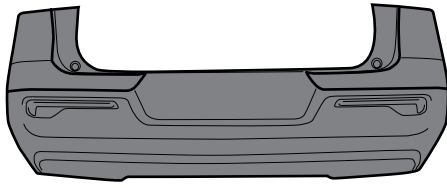


7

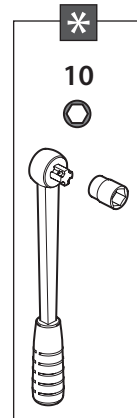


8

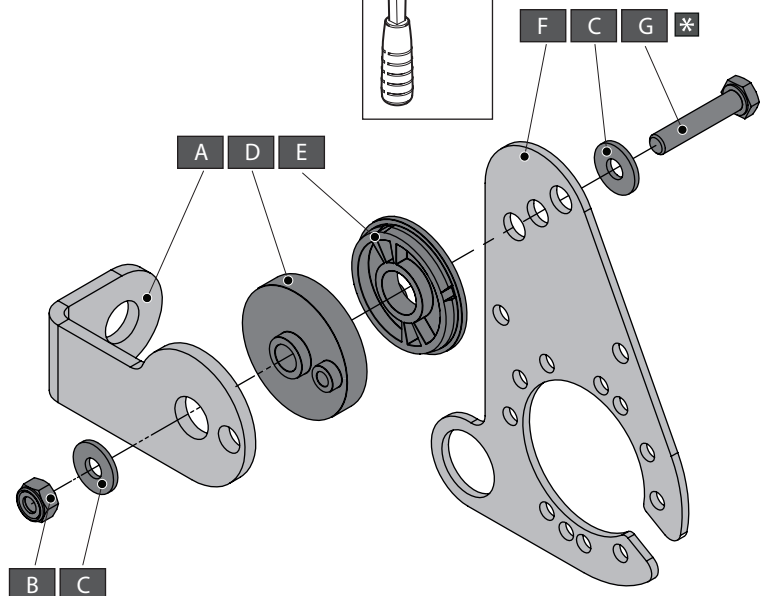




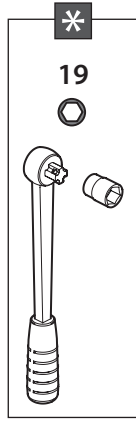
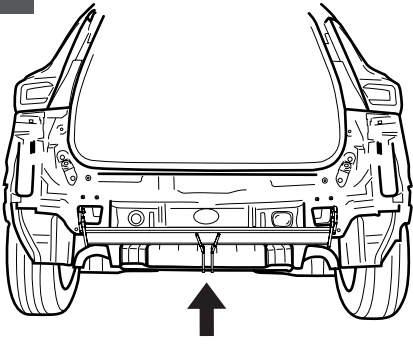
VOLVO OE WIRING



A		X1	GDW REF. 908.102-010
B		X1	DIN985-M6
C		X2	6,2 X 15,4 X 1,6 (NYLON)
D		X1	GDW REF. 718.16.002
E		X1	GDW REF. 718.16.003
F		X1	GDW REF. 908.100
G		X1	DIN933-M6 X 30

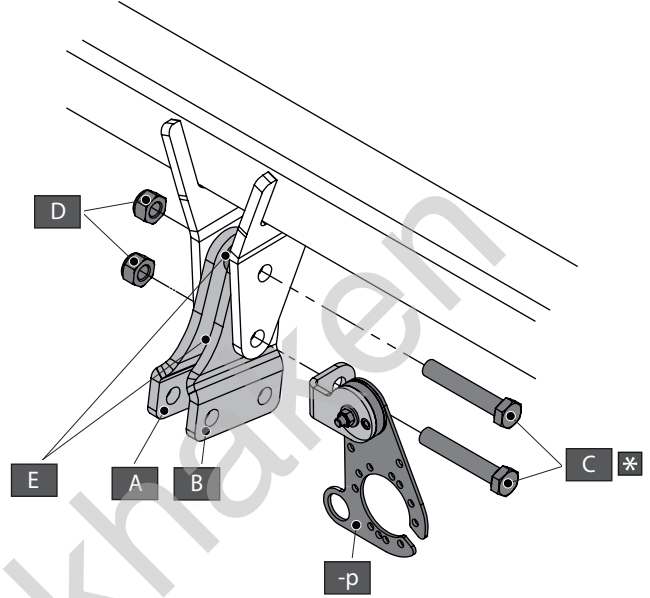


11



VOLVO OE WIRING

93,0 Nm

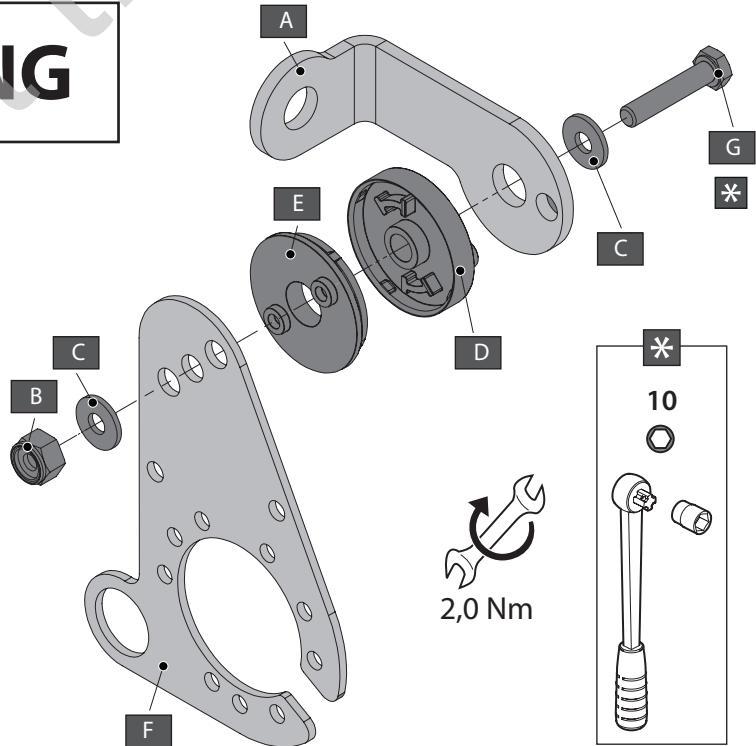


A		X1	GDW REF. 900.025
B		X1	GDW REF. 900.026
C		X2	DIN931 M12 X 70
D		X2	DIN985 M12
E		X2	GDW REF. 900.011

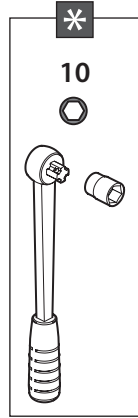
12

NO OE WIRING

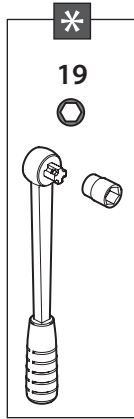
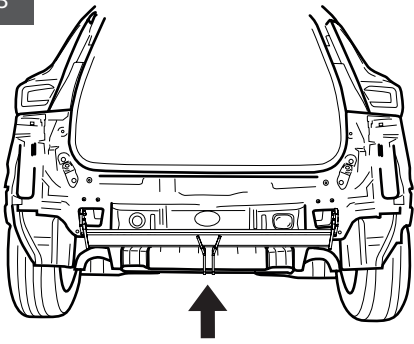
A		X1	GDW REF. 908.102-010
B		X1	DIN985-M6
C		X2	6,2 X 15,4 X 1,6 (NYLON)
D		X1	GDW REF. 718.16.002
E		X1	GDW REF. 718.16.003
F		X1	GDW REF. 908.100
G		X1	DIN933-M6 X 30



2,0 Nm

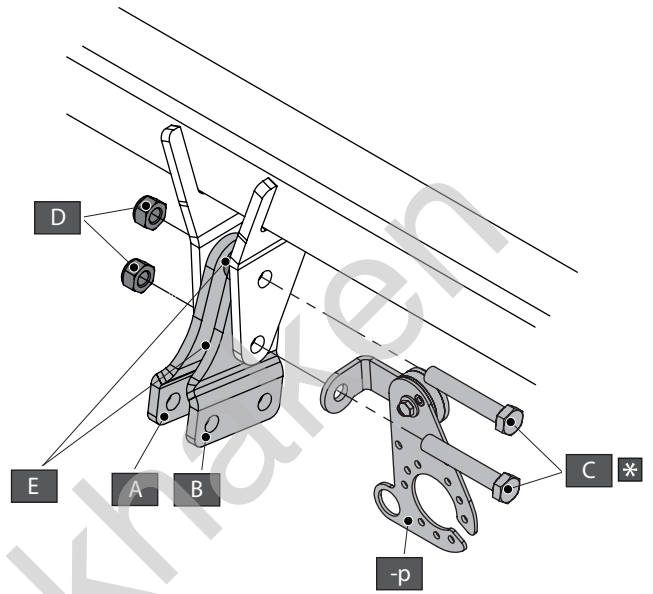


13



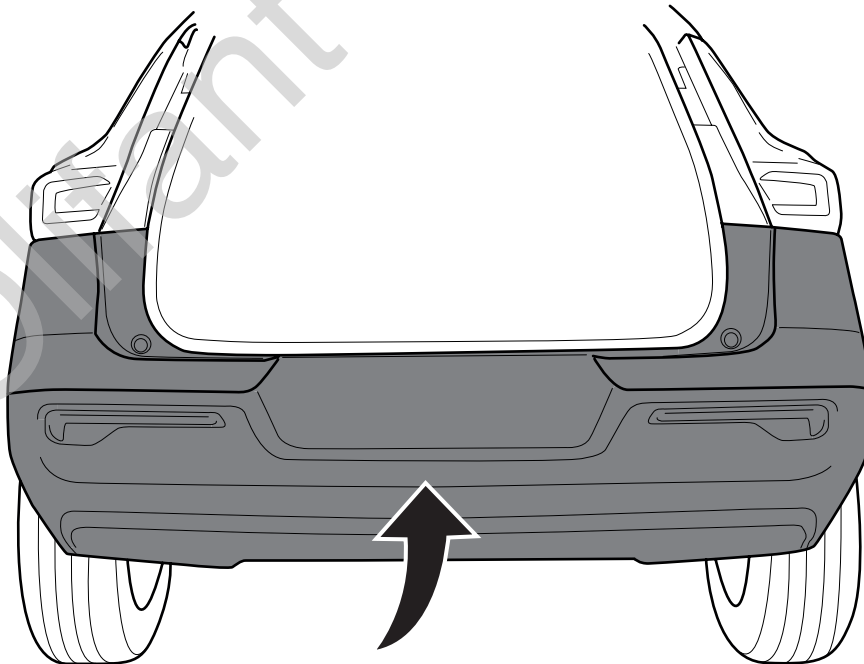
93,0 Nm

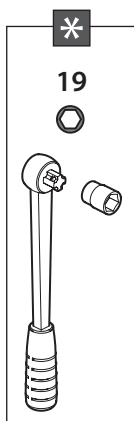
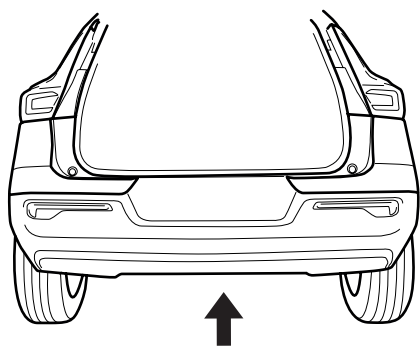
NO OE WIRING



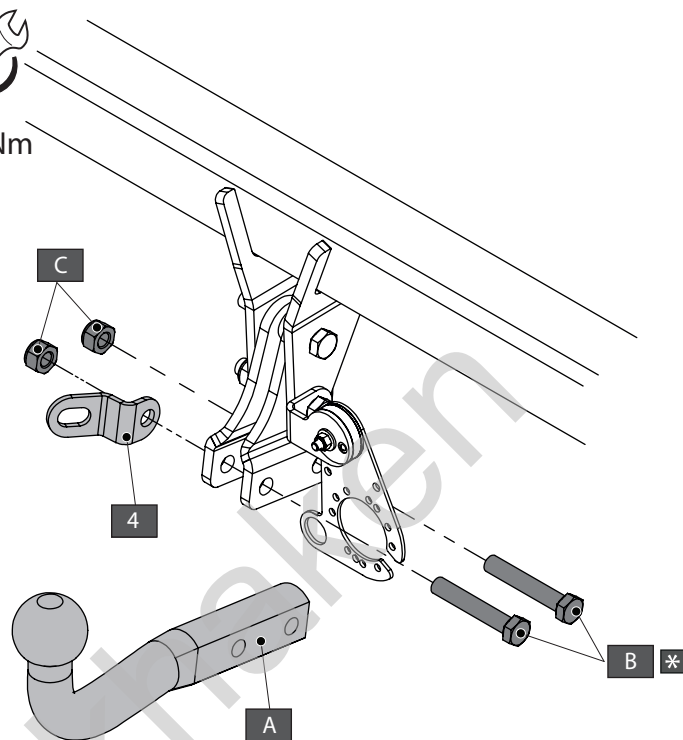
A		X1	GDW REF. 900.025
B		X1	GDW REF. 900.026
C		X2	DIN931 M12 X 70
D		X2	DIN985 M12
E		X2	GDW REF. 900.011

14



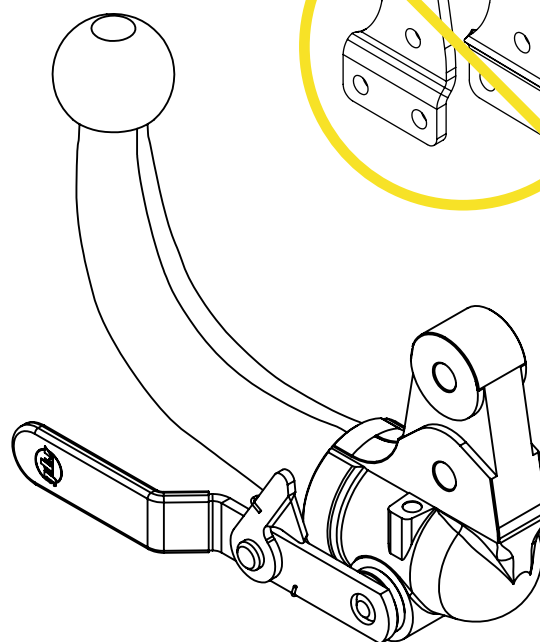
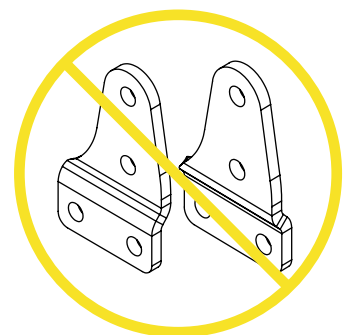
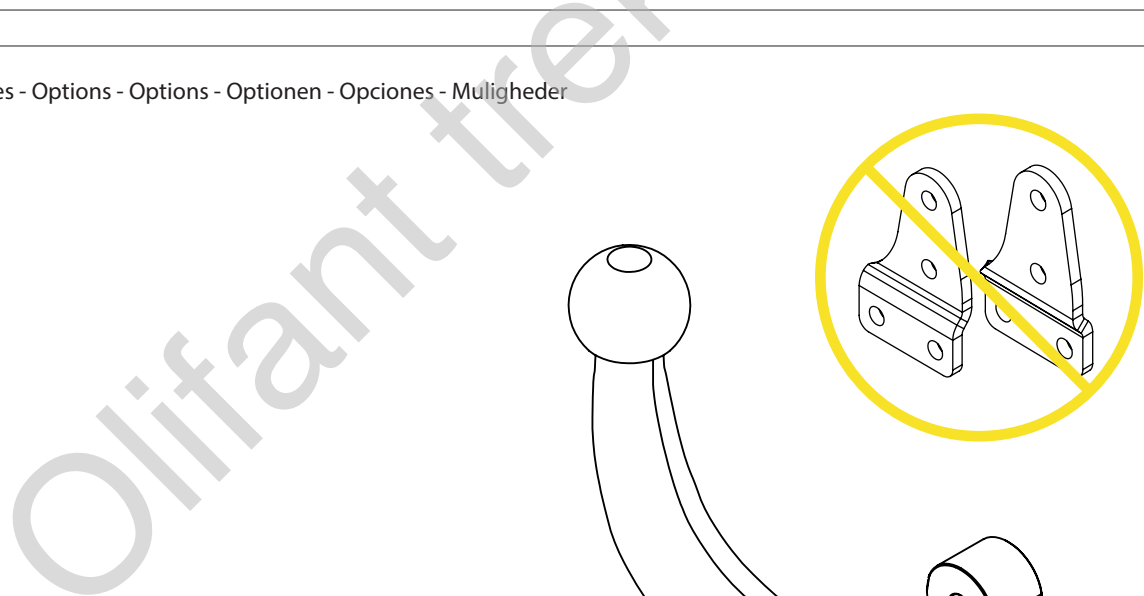


93,0 Nm



A		X1	944.J006
B		X2	DIN931-M12 X 70
C		X2	DIN985-M12
4		X1	GDW REF. 2295-060

Opties - Options - Options - Optionen - Opciones - Muligheder



OPTION T38

	X1	KITT38-2787
--	----	-------------