



TREKHAKEN • ATTELAGES • ANHÄNGERVORRICHTUNGEN • TOWBARS • ENHANCES • ANHÆNGERTRÆK

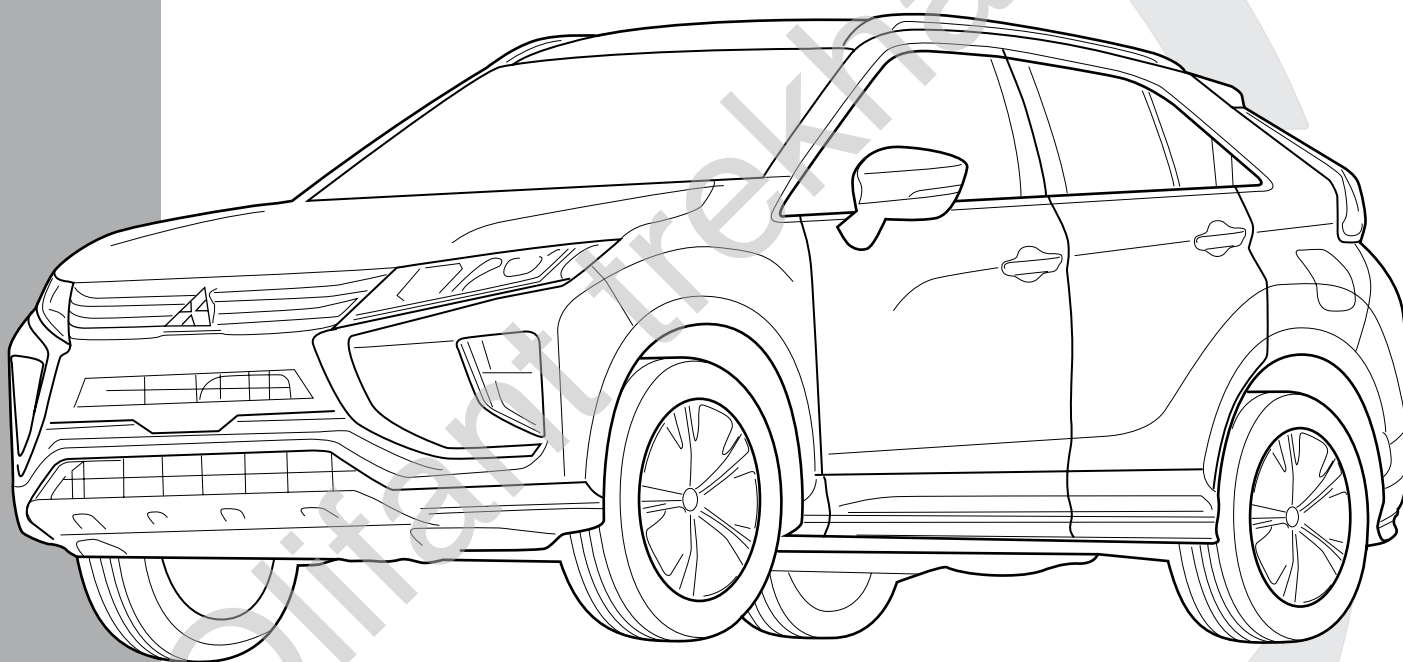
Montagehandleiding | instructions de montage | Einbauanleitung | Mounting instruction
Instrucciones de montaje | monteringsvejledning




Mitsubishi Eclipse Cross

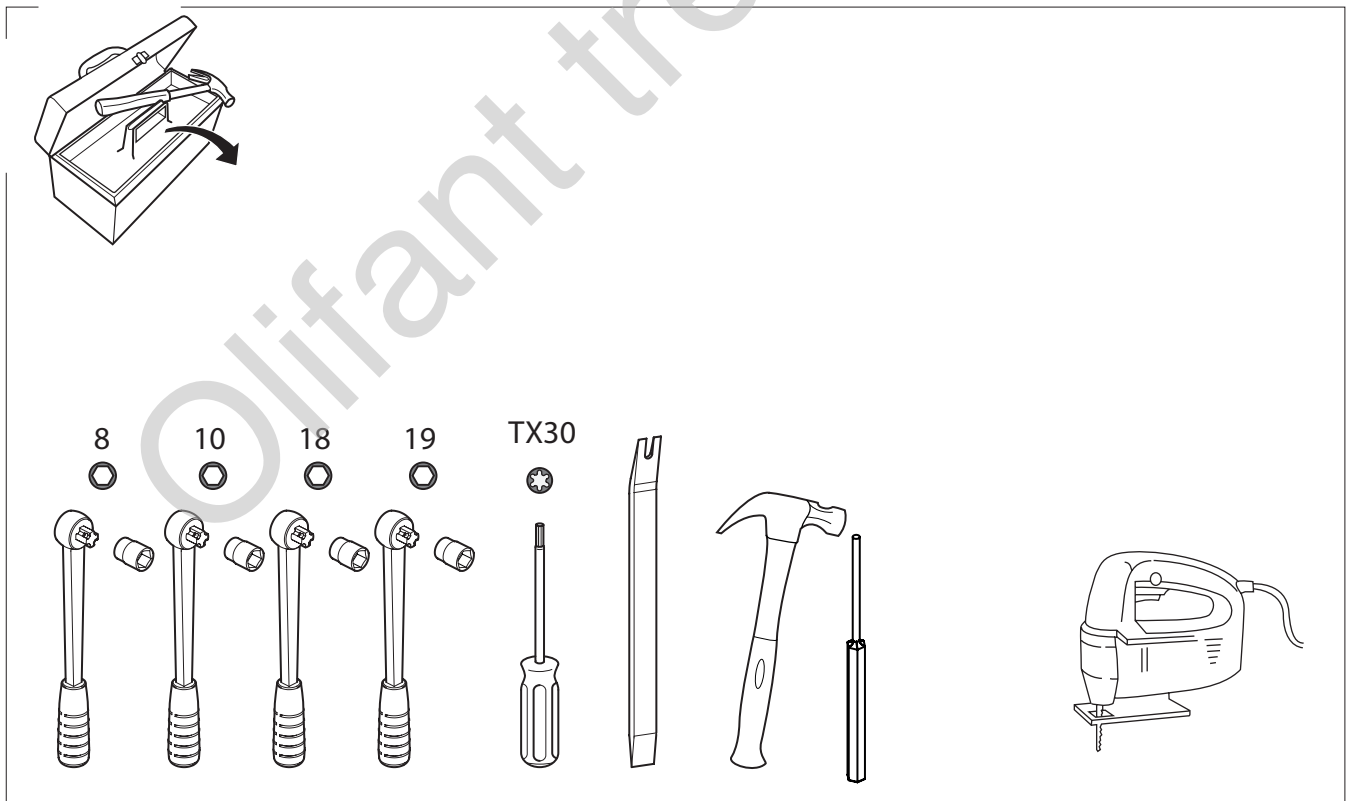
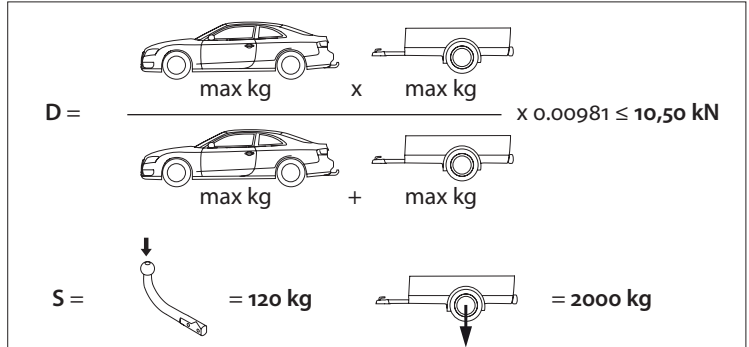
10/'17-

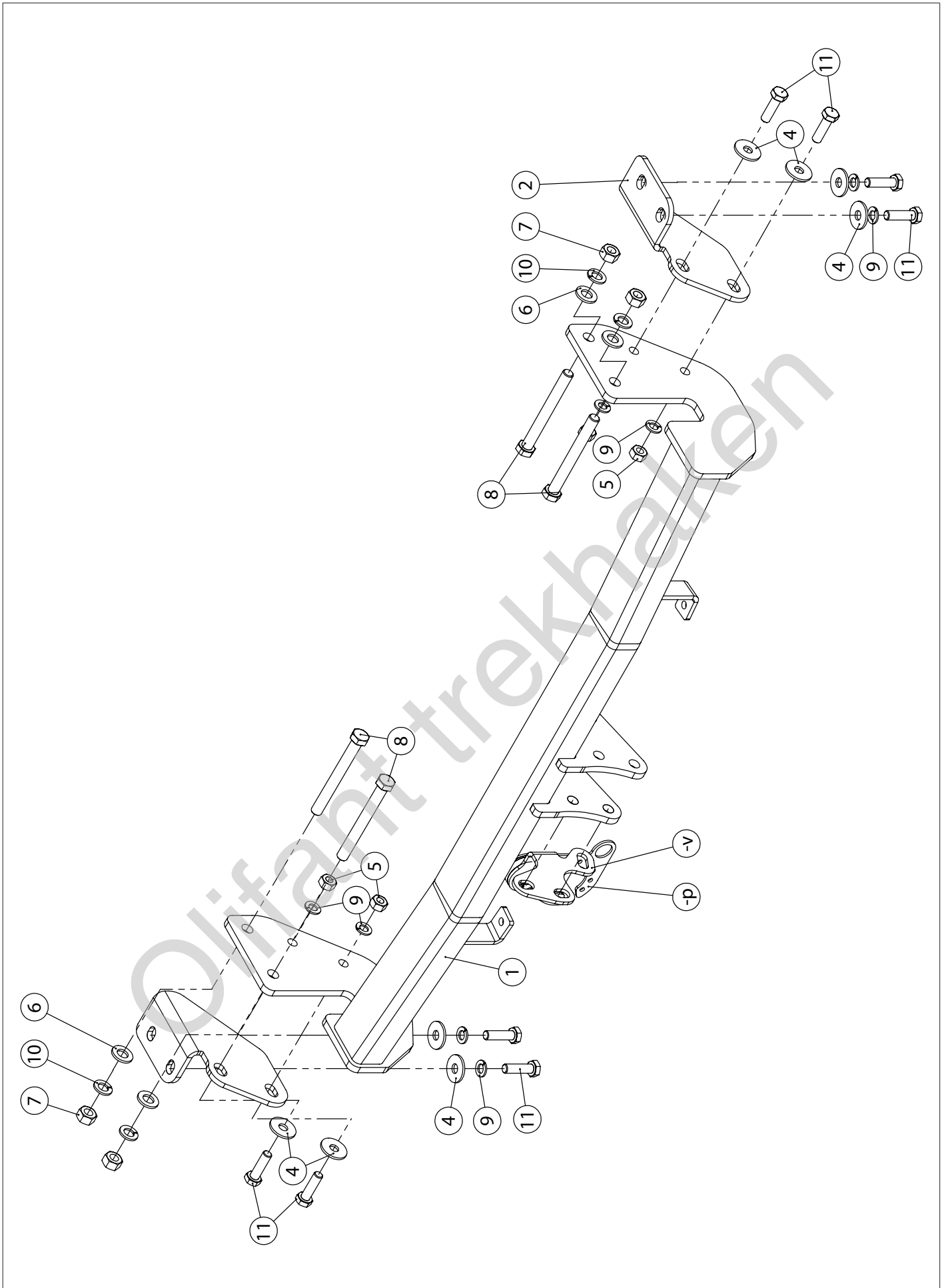
- ✓ STANDARD
- ✓ PLUG-IN HYBRID

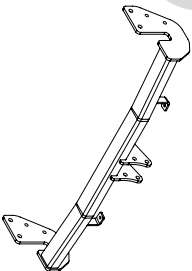
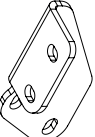
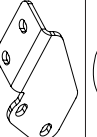
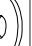



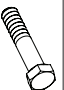






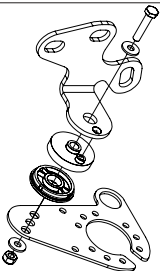
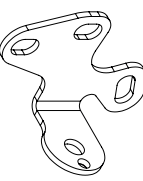

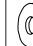


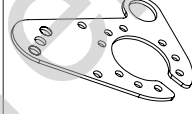

See the Certificate Of Conformity (COC) of your vehicle or contact your dealer to verify the max. trailer weight of your car!

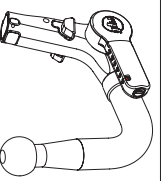
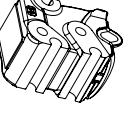
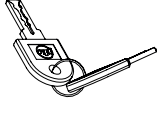


MADE BY	D10,50	F	E6
			
BELGIUM	S 120	55R-011528	
REF N°	SERIE N°		
2288T60			
OMSCHRIJVING			
Mitsubishi Eclipse Cross '17-			



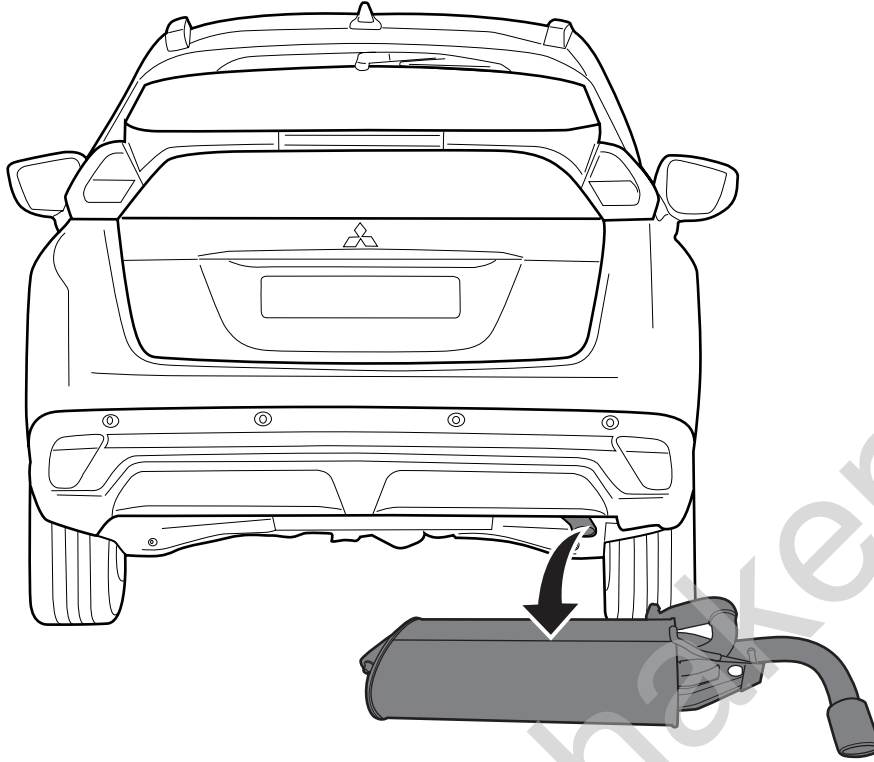


1		X1	GDW REF. 2288T60
2		X1	GDW REF. 2
3		X1	GDW REF. 3
4		X8	DIN9021-M10-ELVZ
5		X4	DIN934-M10 -1.25
6		X4	DIN125-A12-140HV-ELVZ
7		X4	DIN934-M12
8		X4	DIN931-M12X110
9		X8	DIN128A-M10
10		X4	DIN128A-M12
11		X8	DIN961-M10X35-1.25
-V		X1	GDW REF. 908.090

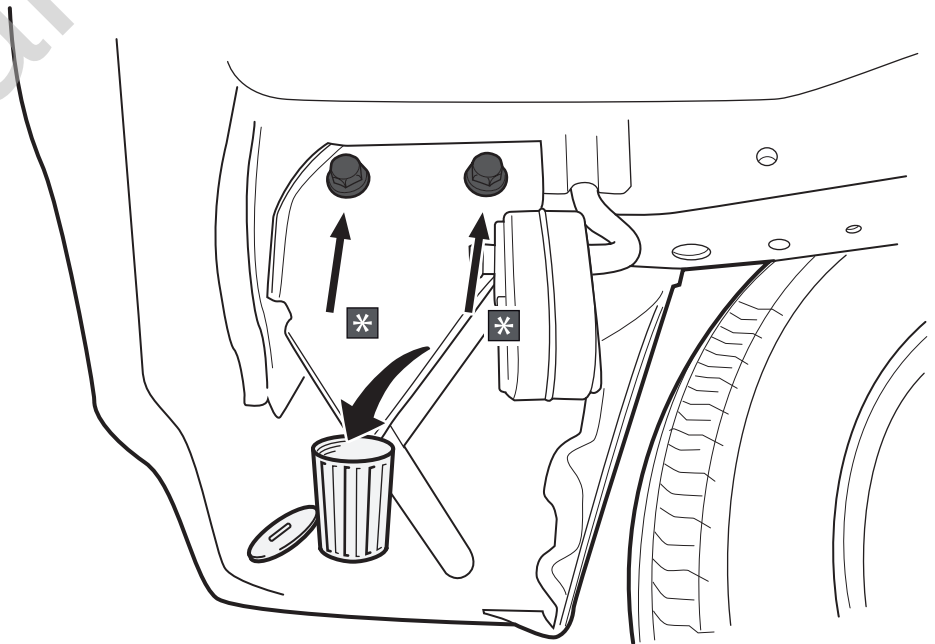
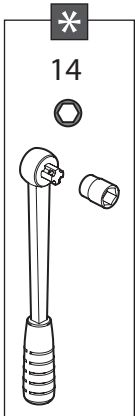
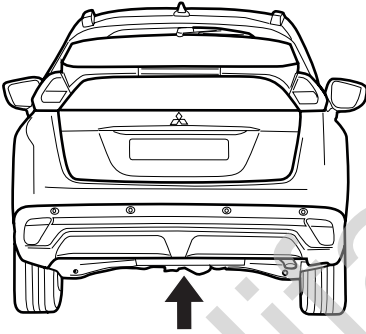
-P		X1	GDW REF. P34
↑		X1	GDW REF. 908.090
↑		X1	DIN985-M6
↑		X2	6,2 X 15,4 X 1,6 (NYLON)
↑		X1	GDW REF. 718.16.002
↑		X1	GDW REF. 718.16.003
↑		X1	GDW REF. 908.094
↑		X1	DIN933-M6 X 30

Geleverd met - Livré avec - Delivered with Gefiefert mit - Elementos adjuntos - Leverages med		X1	GDW REF. 960.V0606
	↑	X1	GDW REF. 740.200
		X1	GDW REF. 912.003
	↑	X1	GDW REF. 740.112
	↑	X1	GDW REF. 740.111
		X1	GDW REF. 740.114
		X1	GDW REF. 718.15.001
		X1	GDW REF. SYST60-10
	↑	X3	DIN931-M12X110-8.8
	↑	X3	DIN128A-M12
	↑	X6	DIN125A-M12
	↑	X3	DIN934-M12

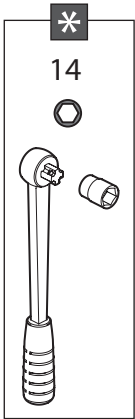
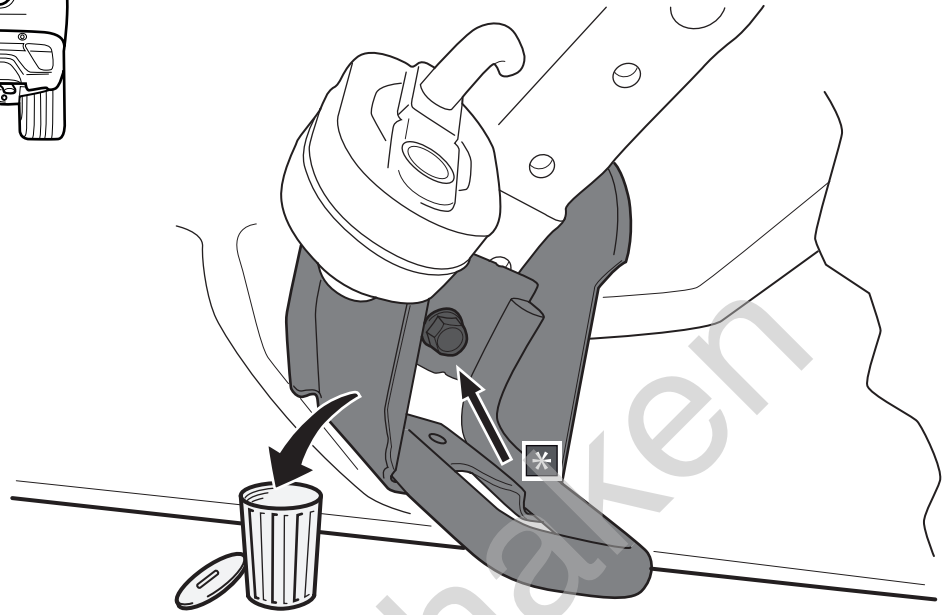
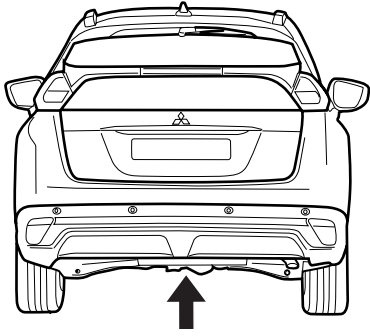
1



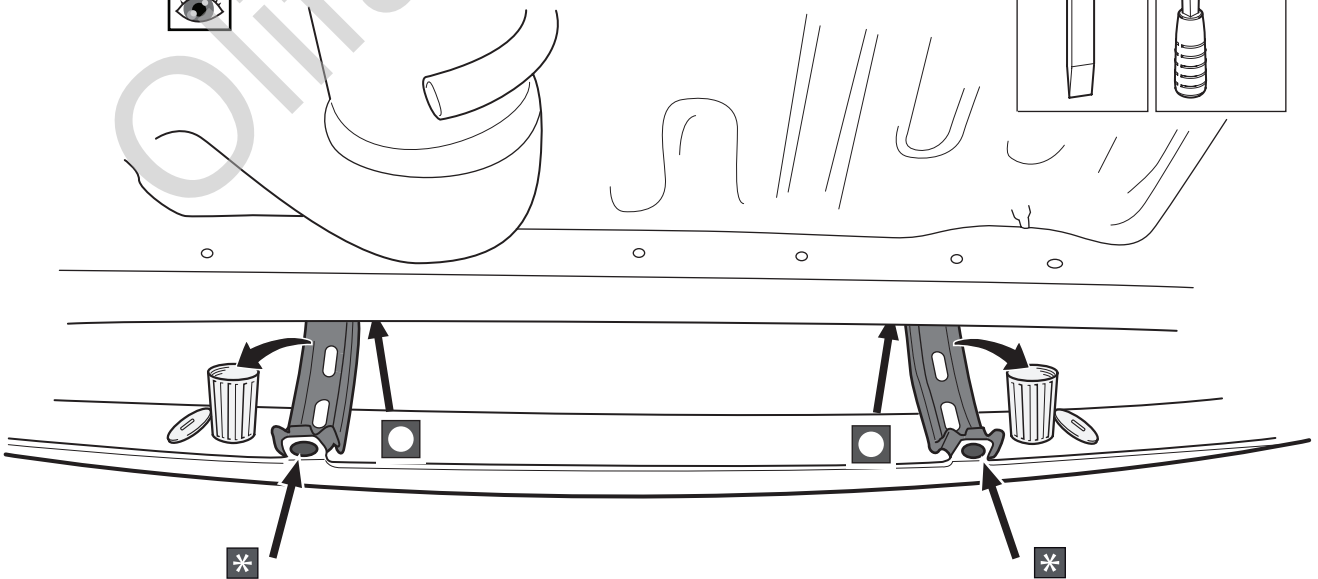
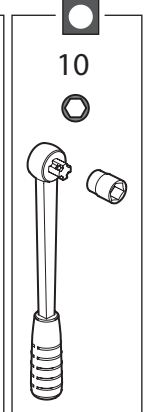
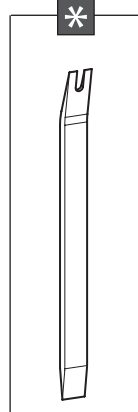
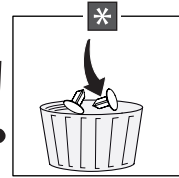
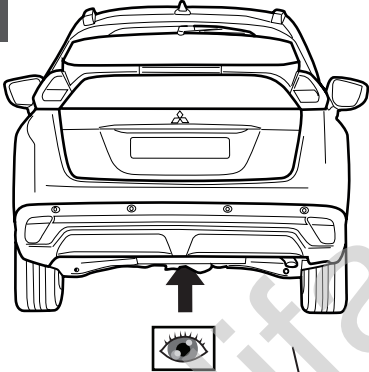
2



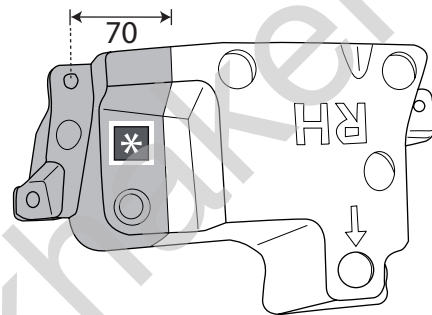
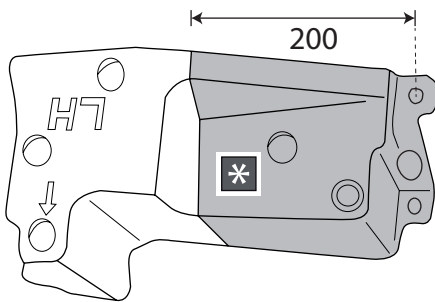
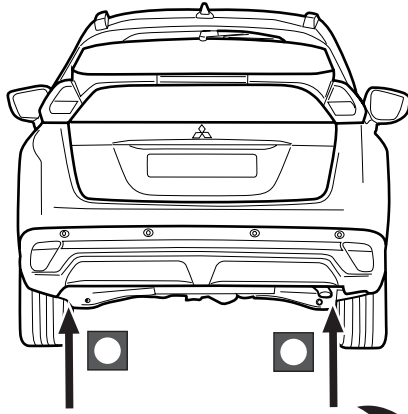
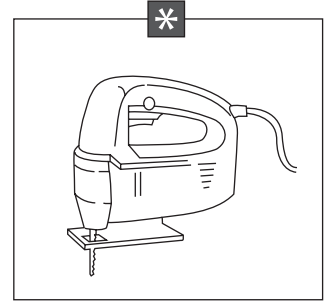
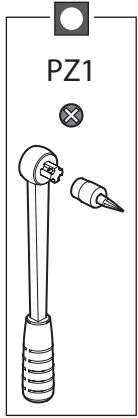
3



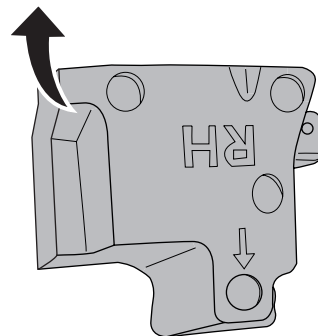
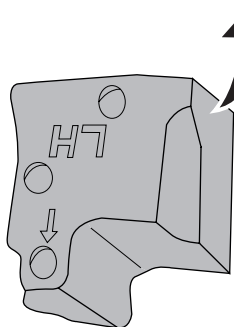
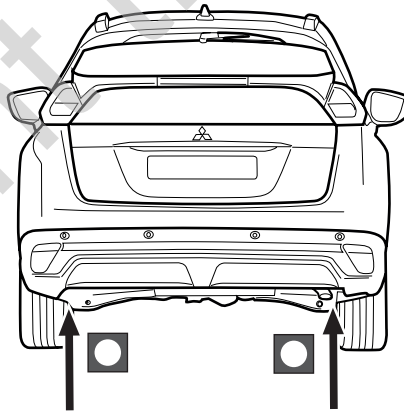
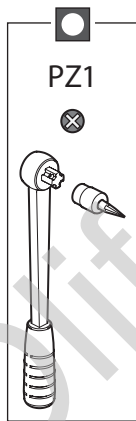
4



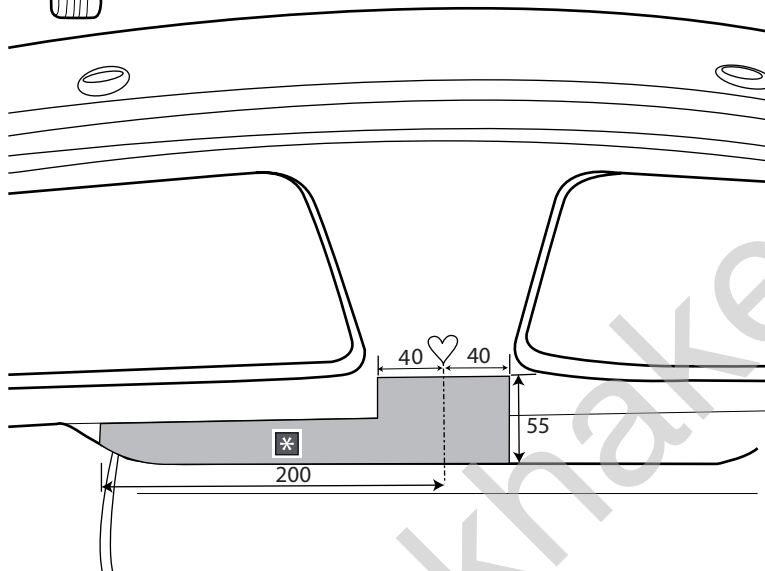
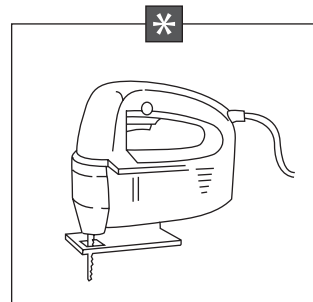
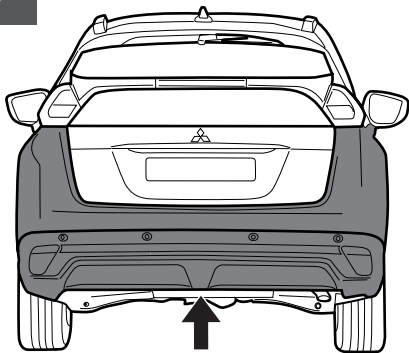
5



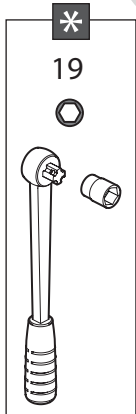
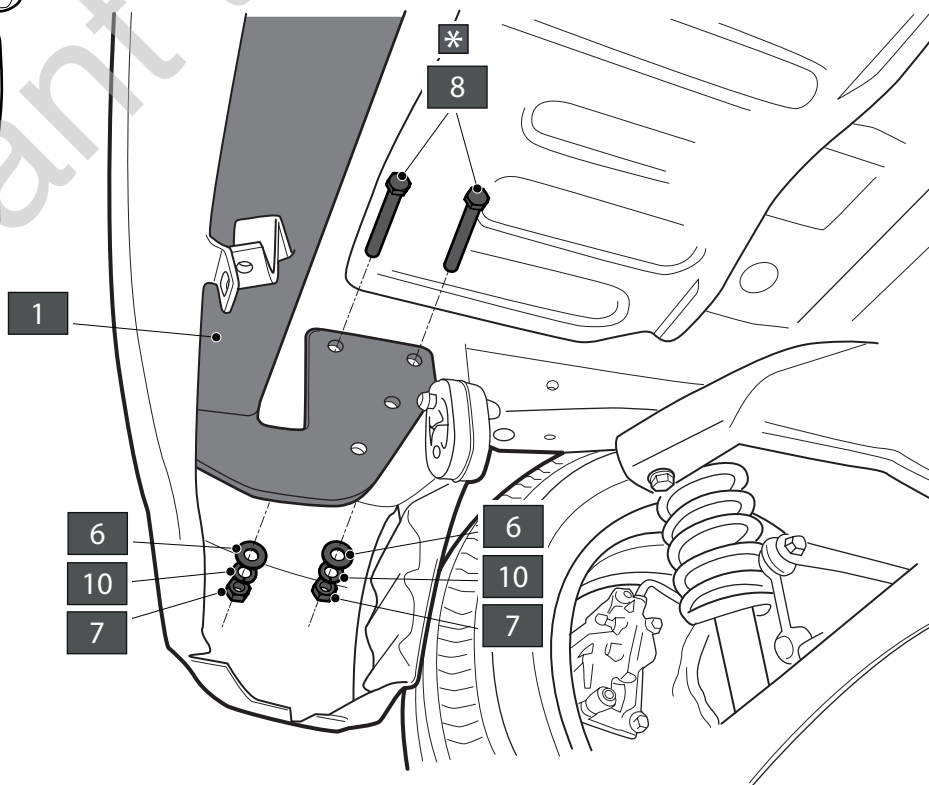
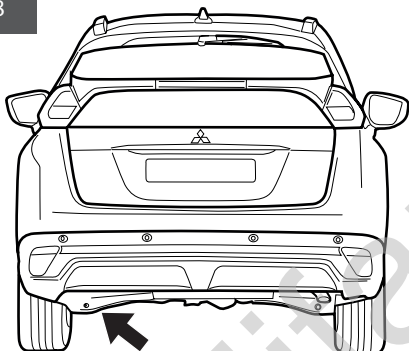
6

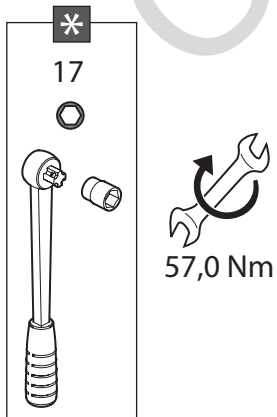
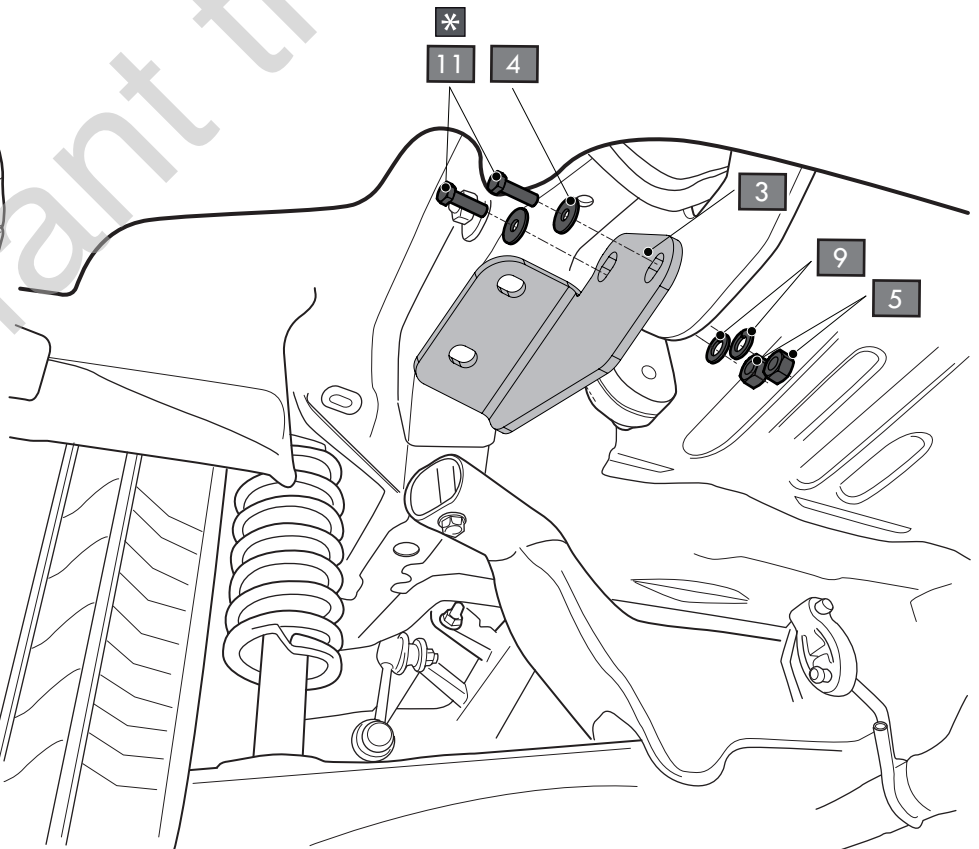
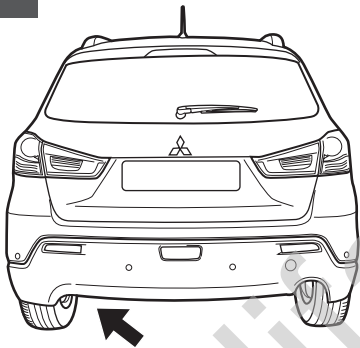
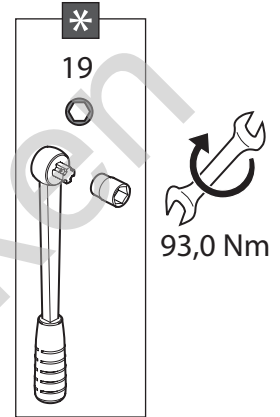
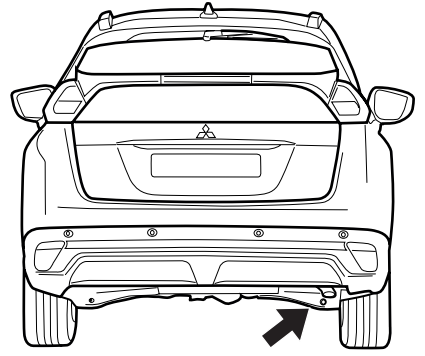
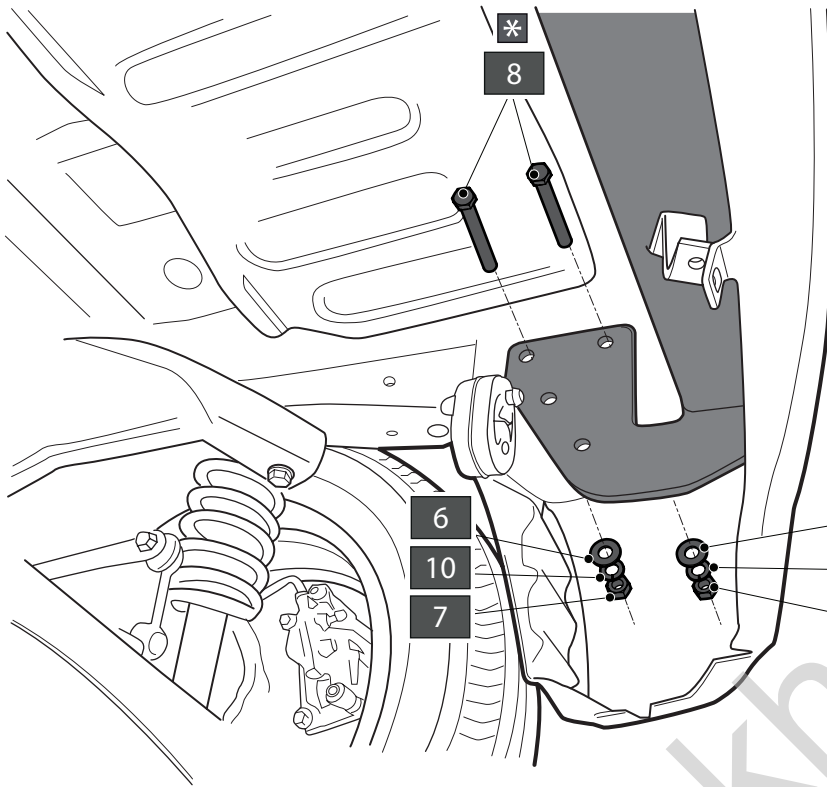


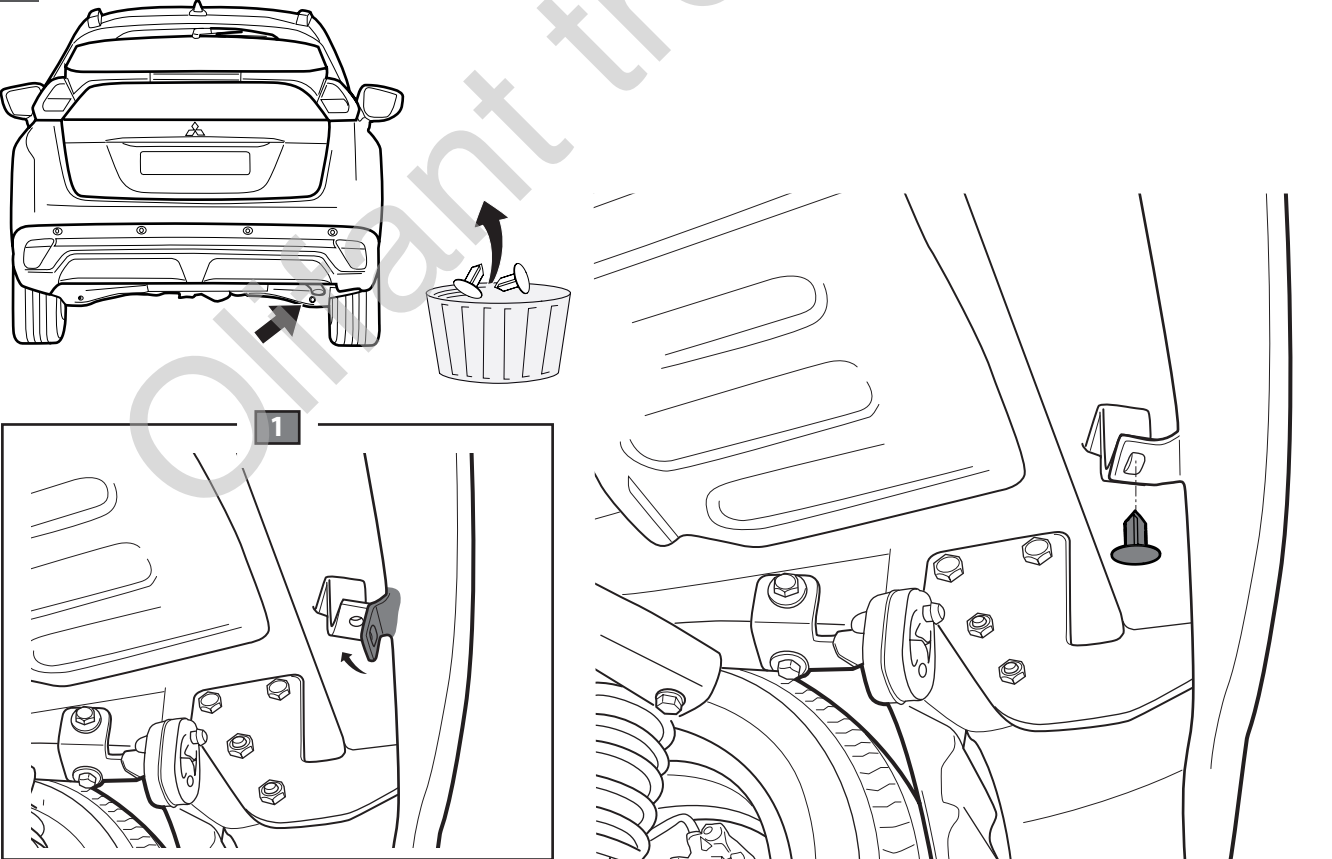
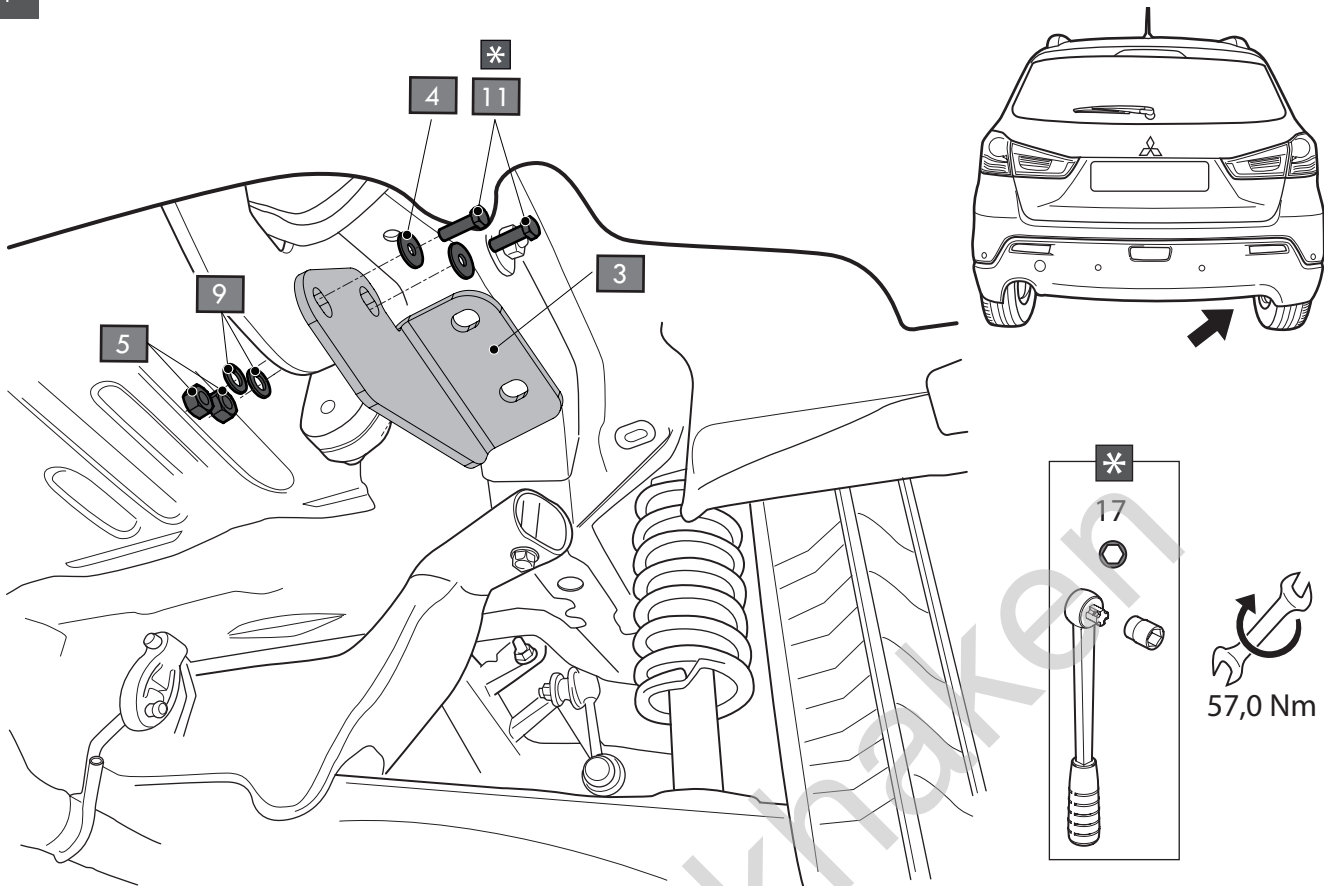
7

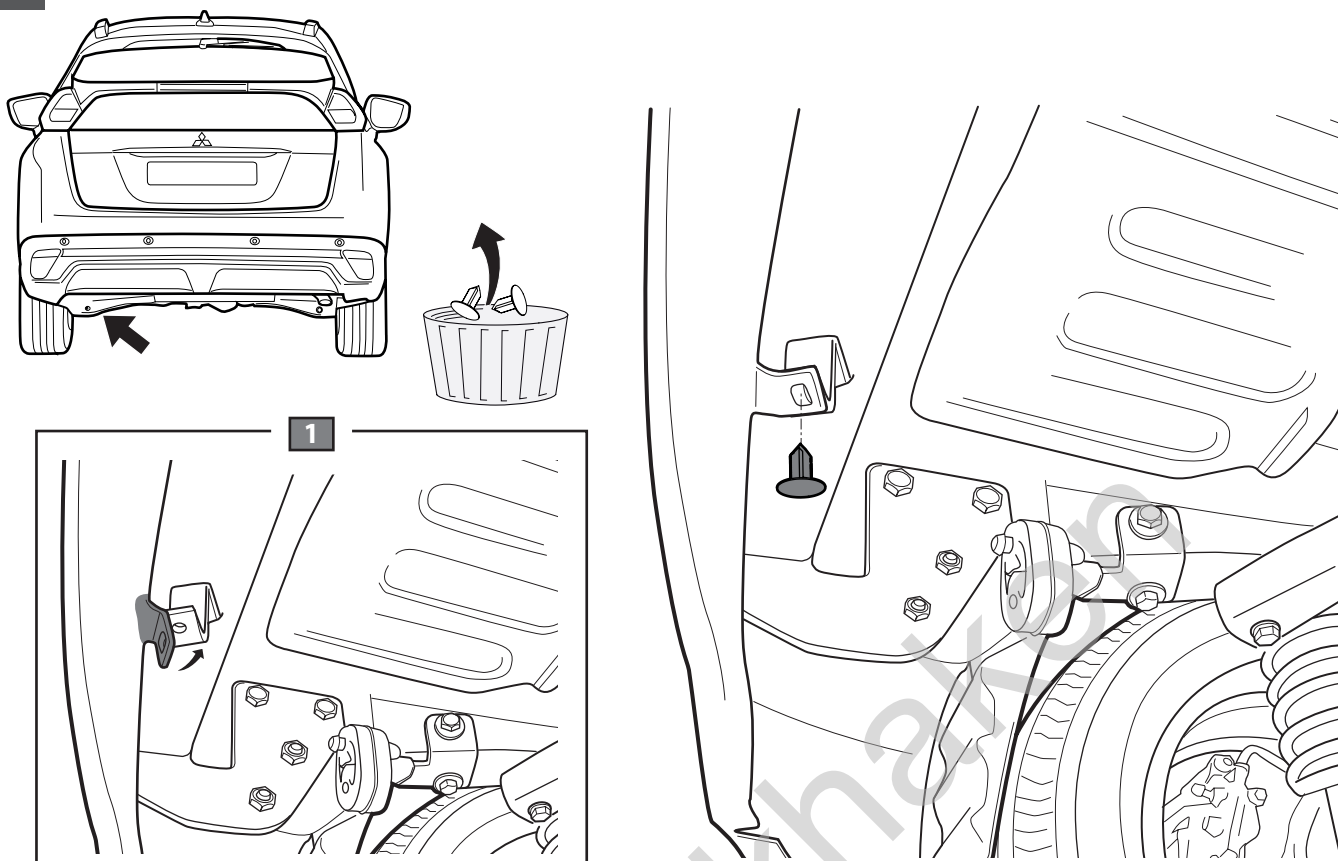







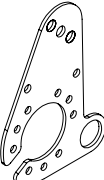

8

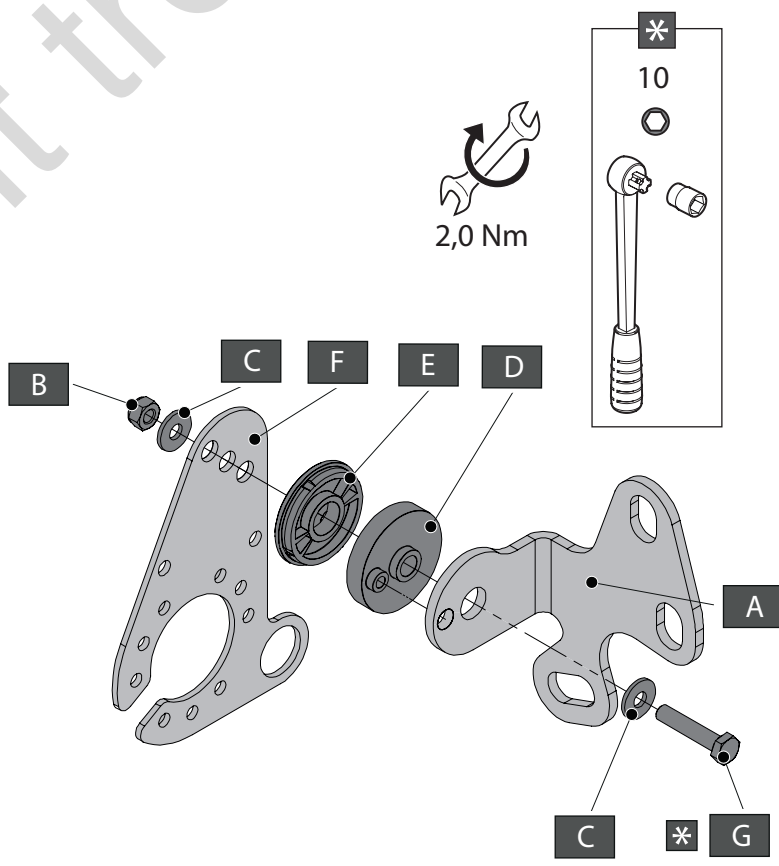


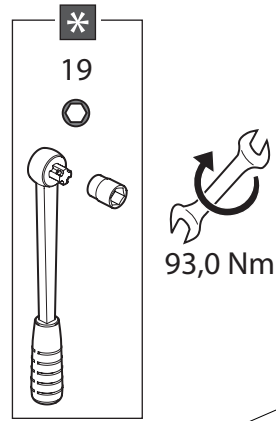




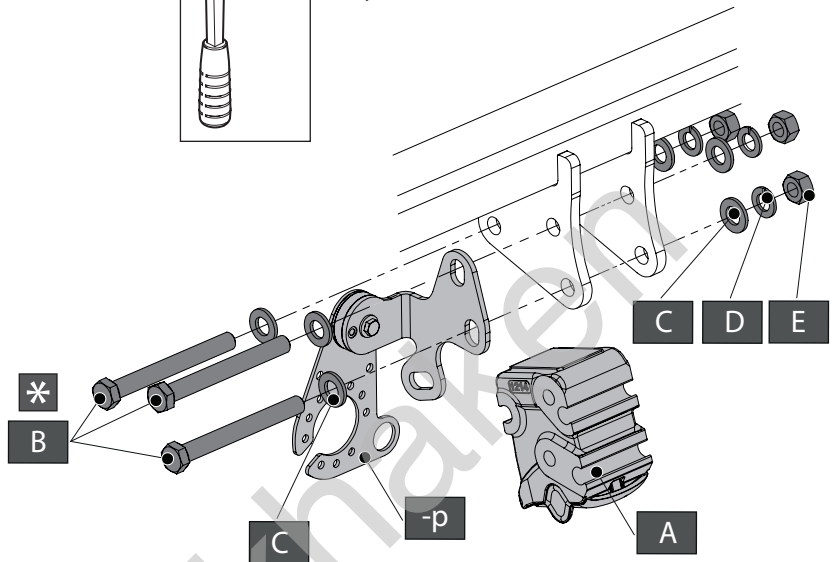


A		X1	GDW REF. 908.090
B		X1	DIN985-M6
C		X2	6,2 X 15,4 X 1,6 (NYLON)
D		X1	GDW REF. 718.16.002
E		X1	GDW REF. 718.16.003
F		X1	GDW REF. 908.094
G		X1	DIN933-M6 X 30





A		X1	912.003
B		X3	DIN931-M12X110
C		X6	DIN125A-M12
D		X3	DIN128A-M12
E		X3	DIN934-M12



!

