



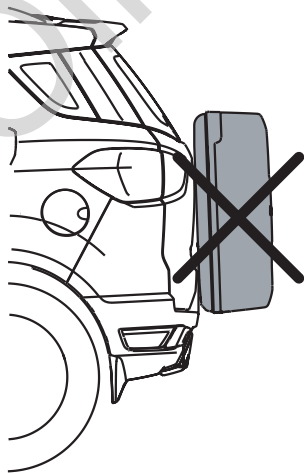
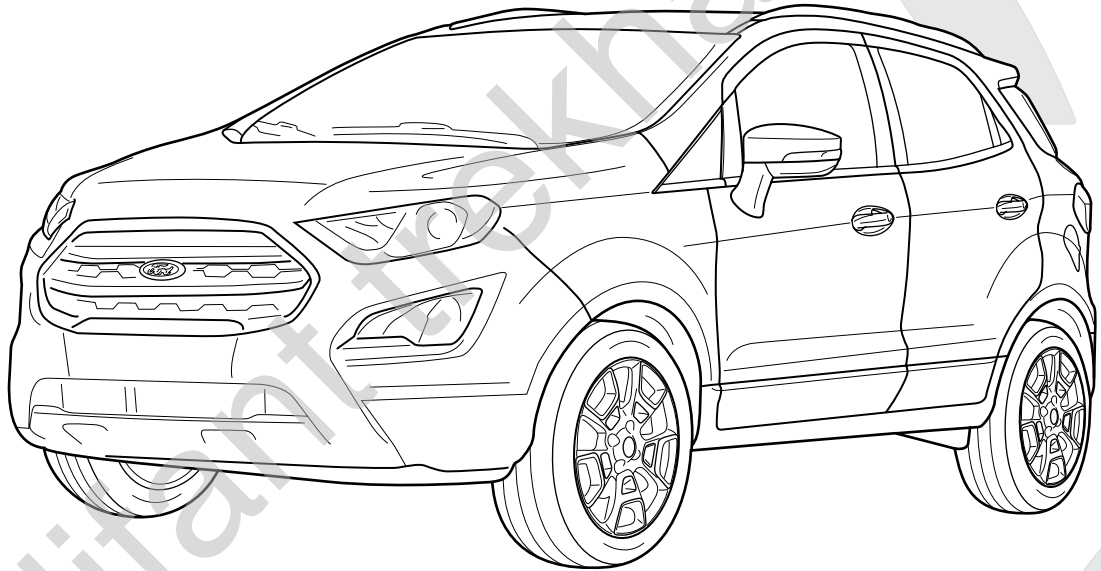
TREKHAKEN • ATTELAGES • ANHÄNGERVORRICHTUNGEN • TOWBARS • ENHANCES • ANHÆNGERTRÆK
Montagehandleiding | instructions de montage | Einbauanleitung | Mounting instruction
Instrucciones de montaje | monteringsvejledning




Ford Ecosport Facelift

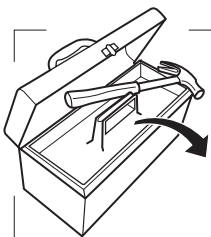
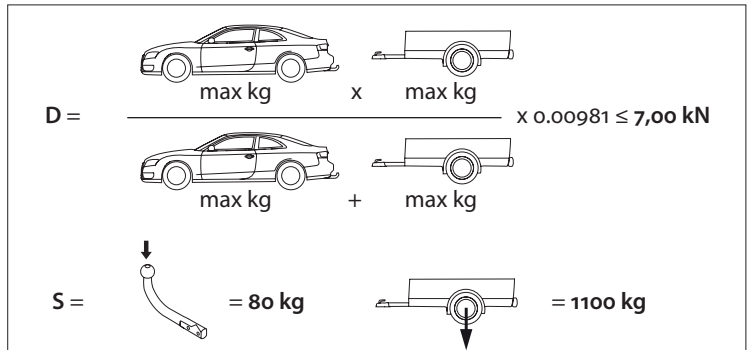
11/'17-

- ✓ STANDARD
- ✓ TITANIUM
- ✗ 4WD
- ✗ ST-LINE

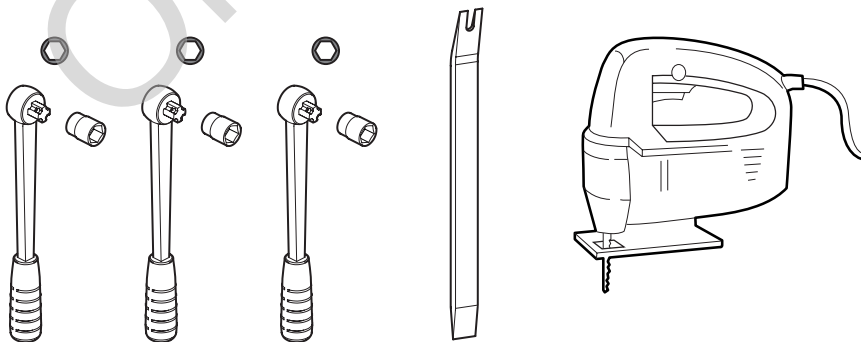


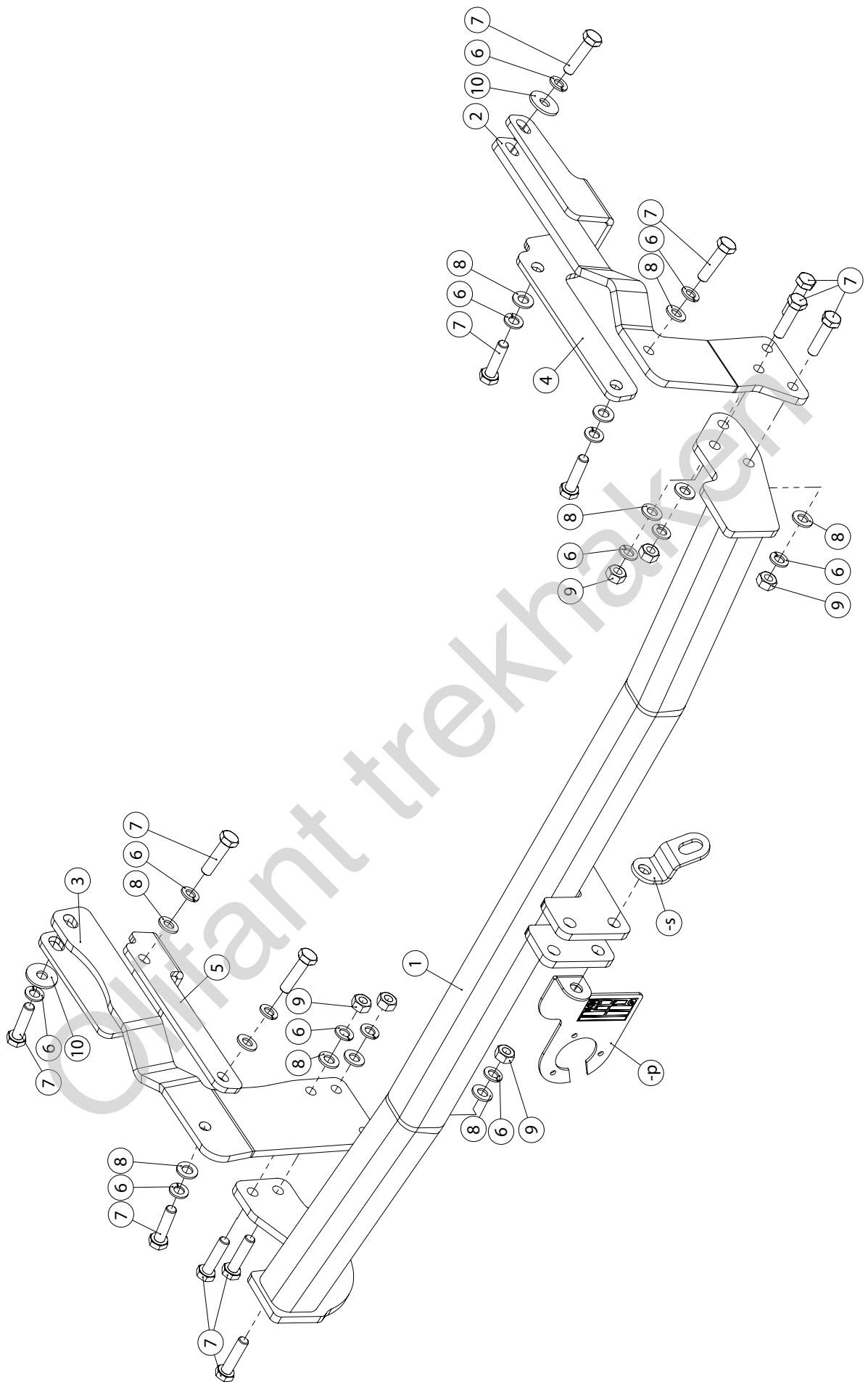
See the Certificate Of Conformity (COC) of your vehicle or contact your dealer to verify the max. trailer weight of your car!

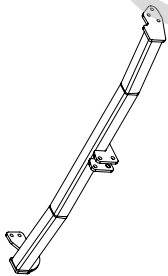
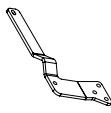
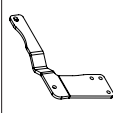
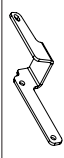
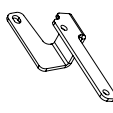
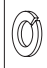





| | | | |
|--|----------|-------------------------------------|----|
| MADE BY  | D 7,00 | F | E6 |
| BELGIUM | S 80 | EC APPROVAL N° 55R-011454 | |
| REF N° 2280 | SERIE N° | | |
| OMSCHRIJVING Ford Ecosport Facelift 11/'17- | | | |

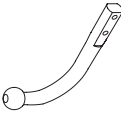
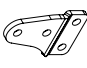
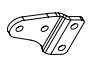






10 17 19

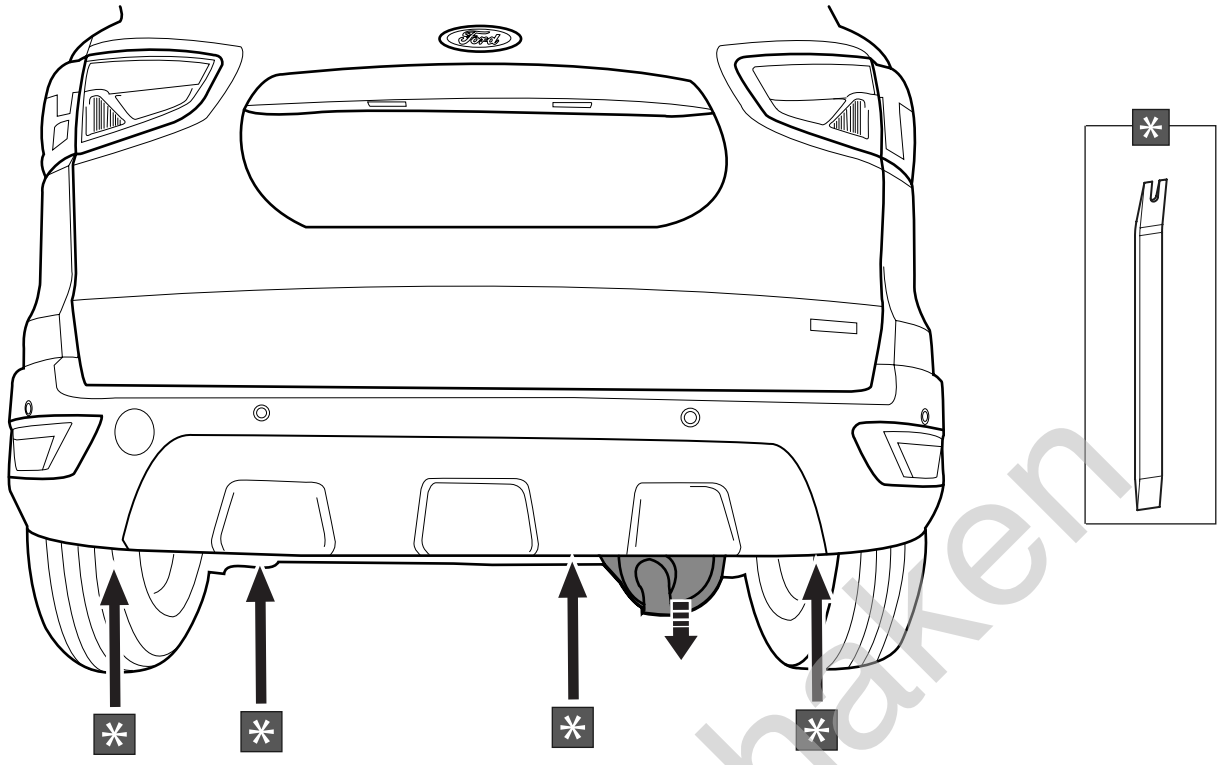




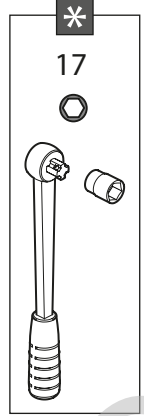
| | | | |
|----|---|-----|-----------------------|
| 1 |  | X1 | GDW REF. 2280 |
| 2 |  | X1 | GDW REF. 2 |
| 3 |  | X1 | GDW REF. 3 |
| 4 |  | X1 | GDW REF. 4 |
| 5 |  | X1 | GDW REF. 5 |
| 6 |  | X14 | DIN128A-M10 |
| 7 |  | X14 | DIN933-M10 X 40 |
| 8 |  | X12 | DIN125-A10-140HV-ELVZ |
| 9 |  | X6 | DIN934-M10 |
| 10 |  | X2 | DIN9021-M10-ELVZ |
| -P |  | X1 | GDW REF. PO4 |

| | | | |
|--|--|----|-----------------------------------|
| Geleverd met - Livré avec - Delivered with Geliefert mit - Elementos adjuntos-Leveres med |  | X1 | 944-H031 |
| |  | X1 | GDW REF. 900.025 |
| |  | X1 | GDW REF. 900.026 |
| |  | X2 | GDW REF. 900.011 Ø 21.3 X 11.7 |
| |  | X1 | GDW REF. 900.053 |
| |  | X4 | DIN931-M12 X 70 |
| |  | X4 | DIN985-M12 |

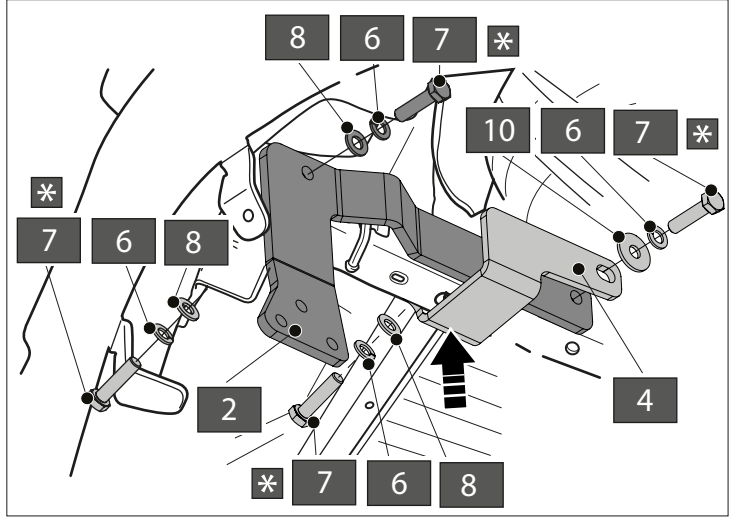
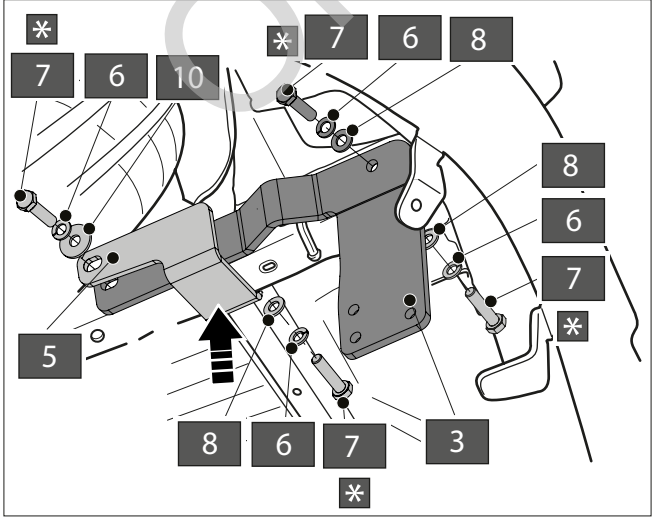
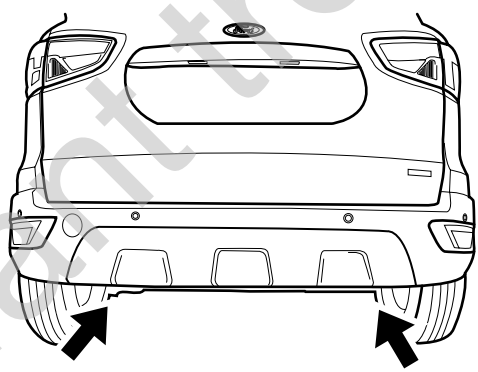
1

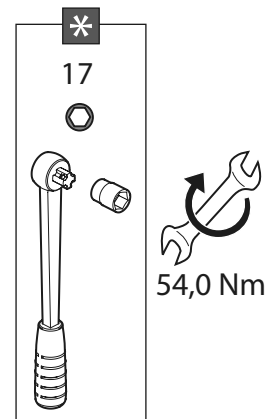
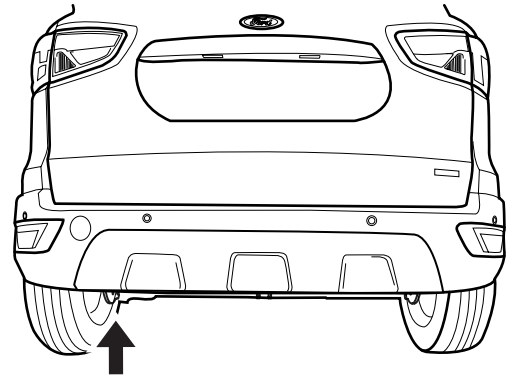
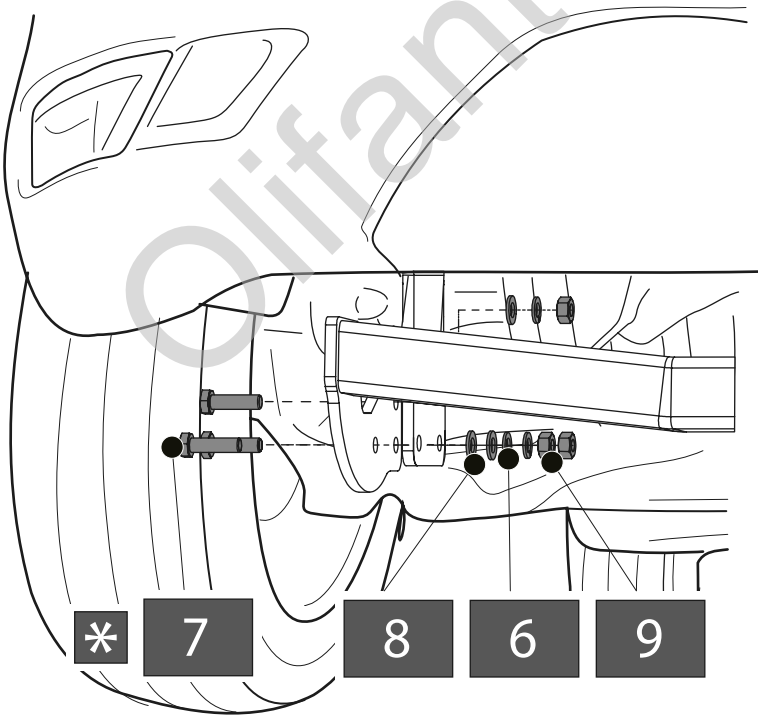
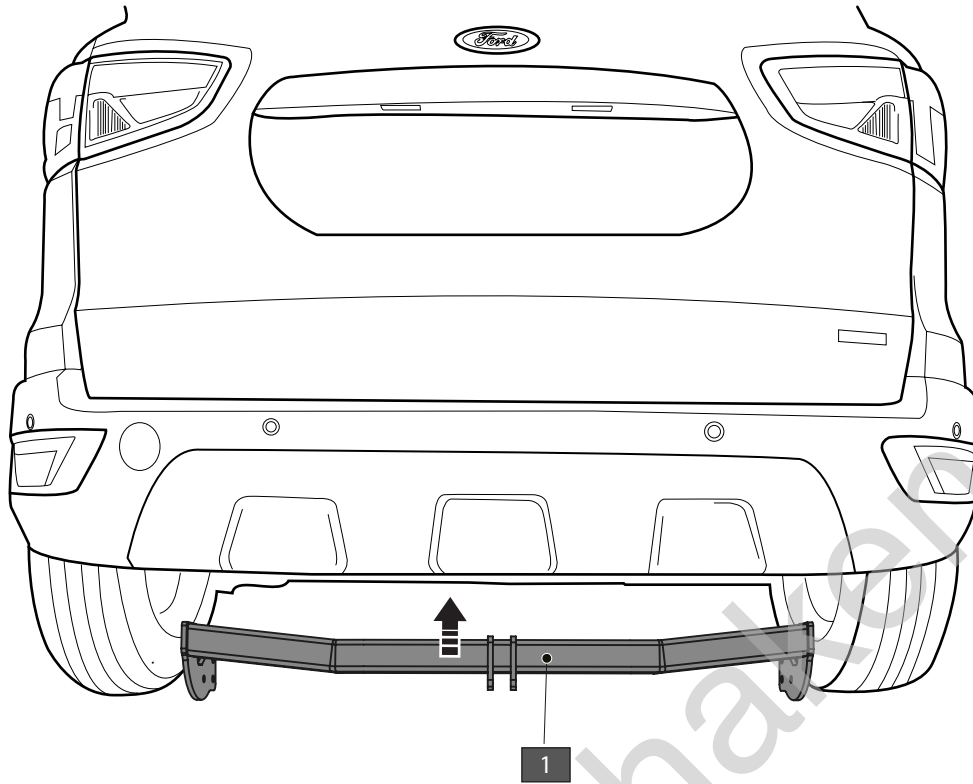


2

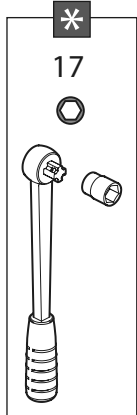
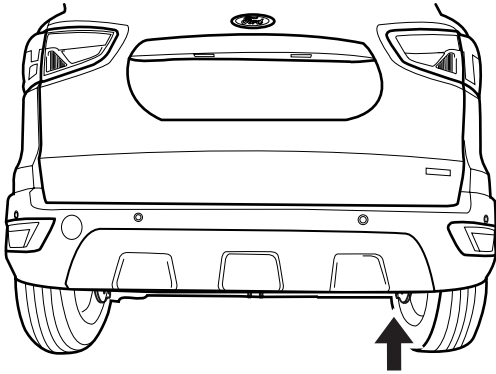


54,0 Nm

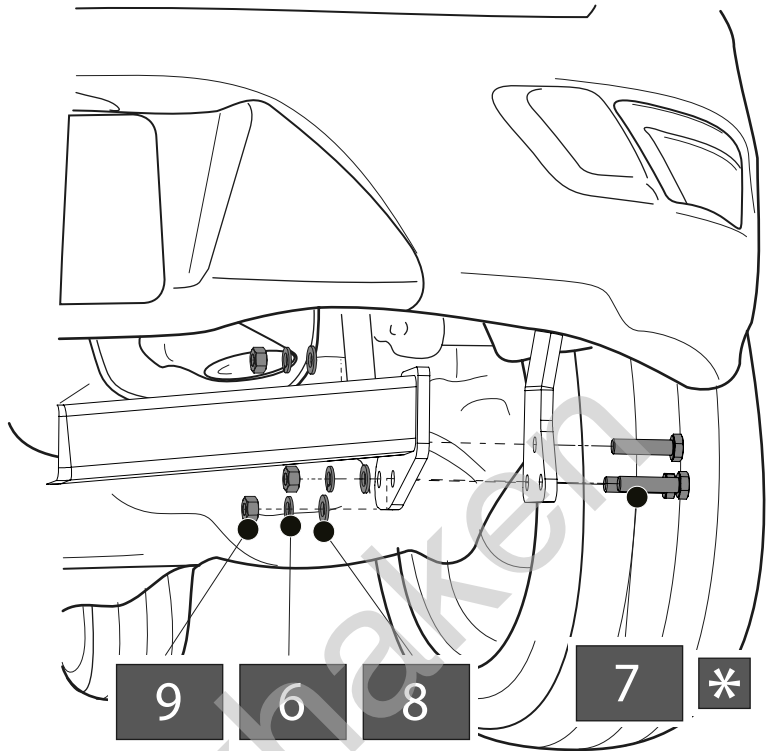




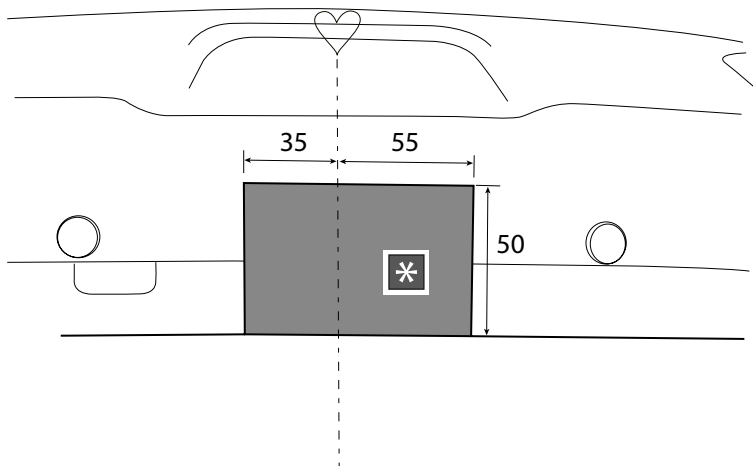
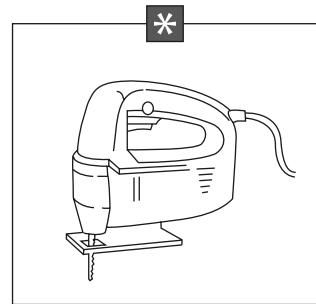
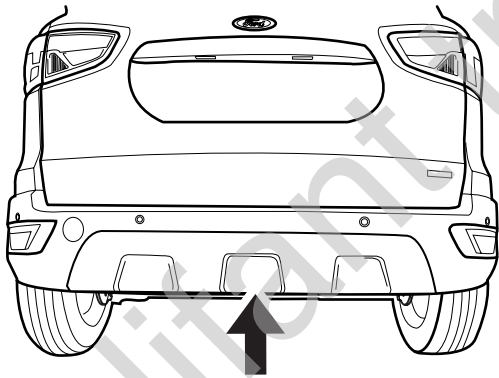
5



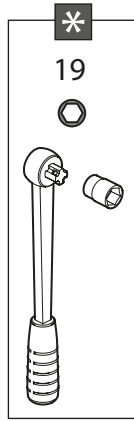
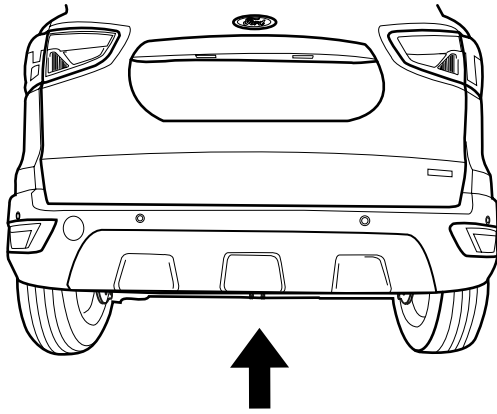
54,0 Nm



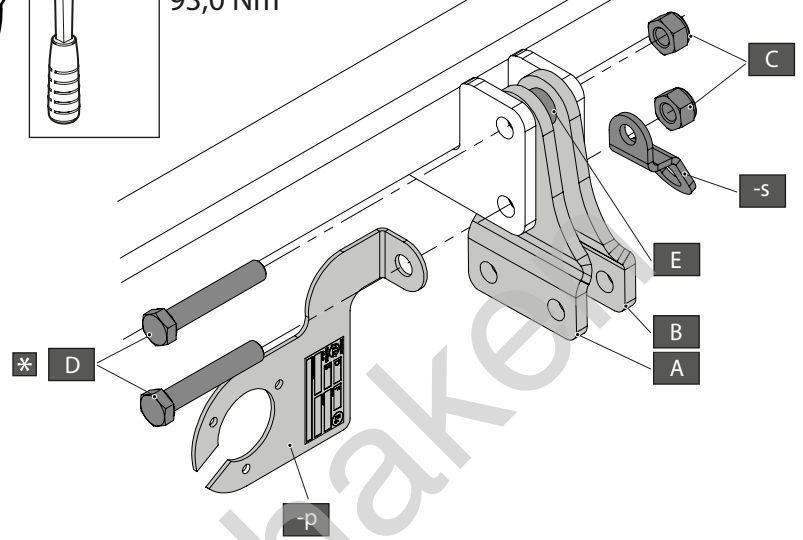
6



7

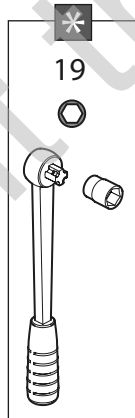
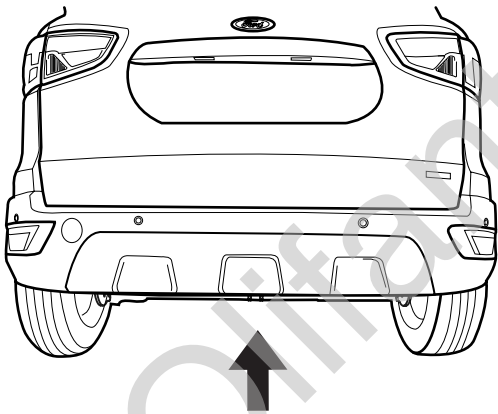


93,0 Nm

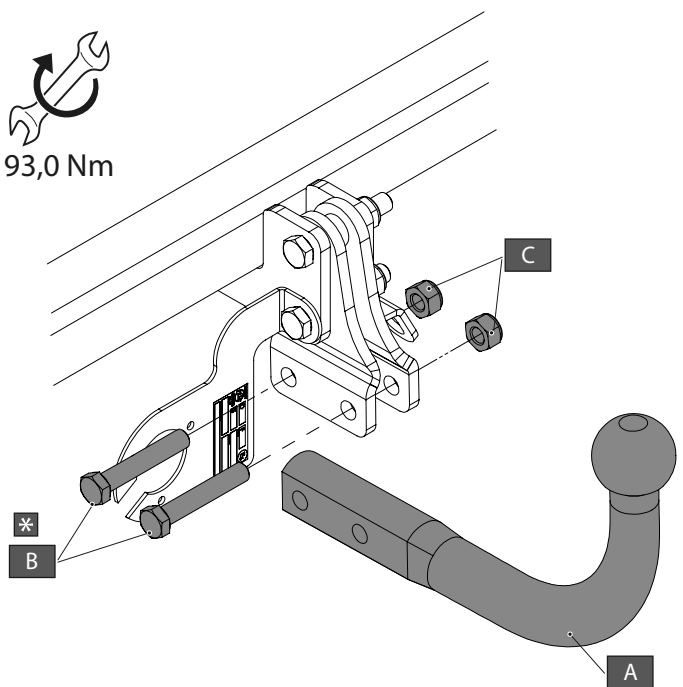


| | | | |
|----|--|----|------------------|
| A | | X1 | GDW REF. 900.025 |
| B | | X1 | GDW REF. 900.026 |
| C | | X2 | DIN985 M12 |
| D | | X2 | DIN931 M12 X 70 |
| E | | X2 | GDW REF. 900.011 |
| -S | | X1 | GDW REF.900.053 |

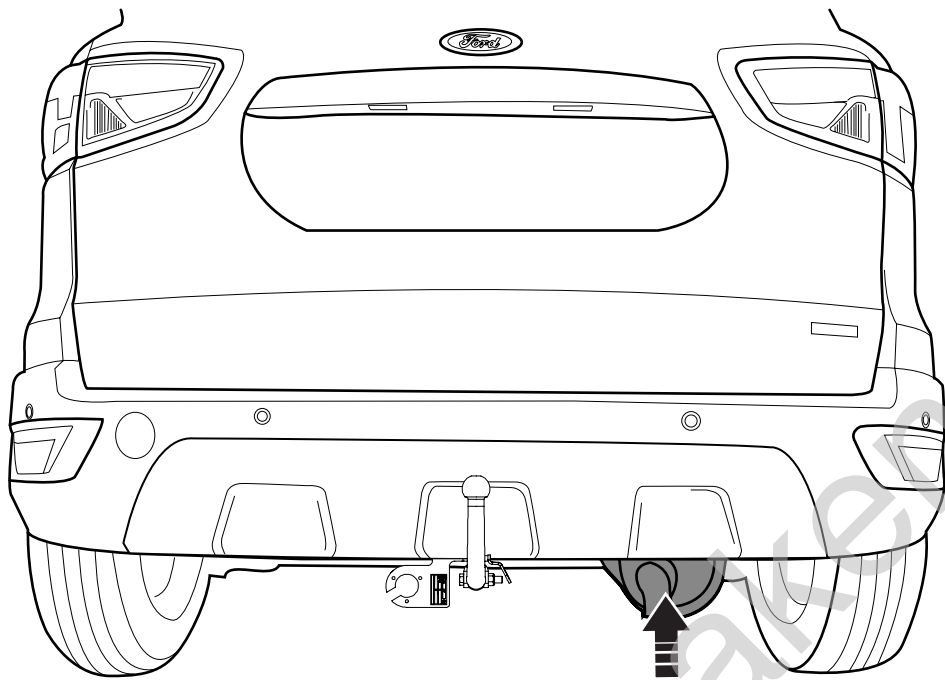
8



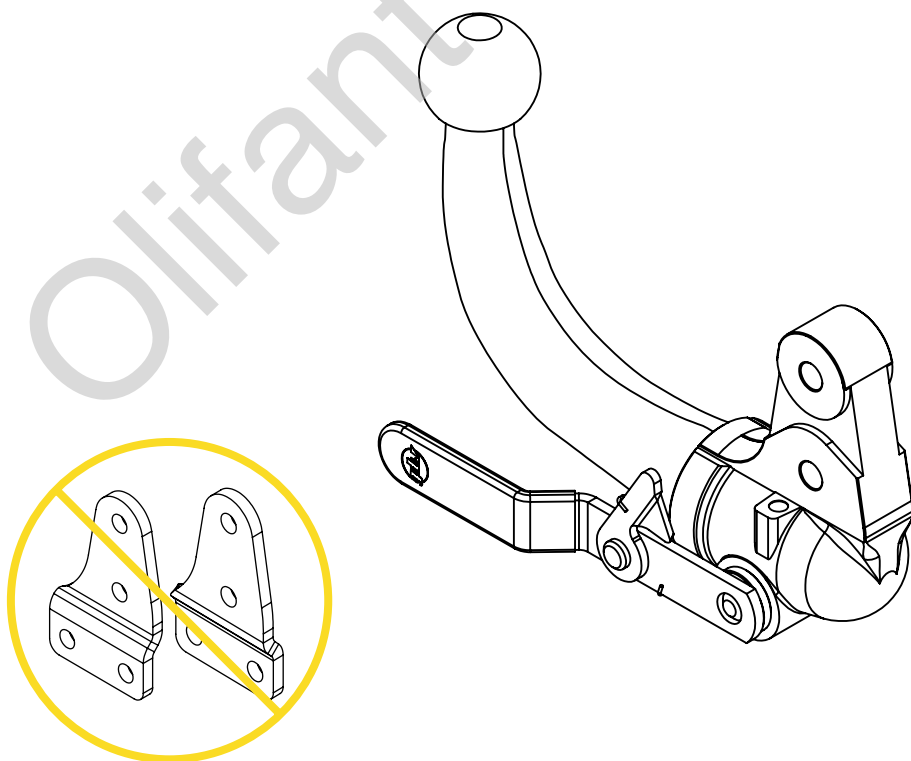
93,0 Nm



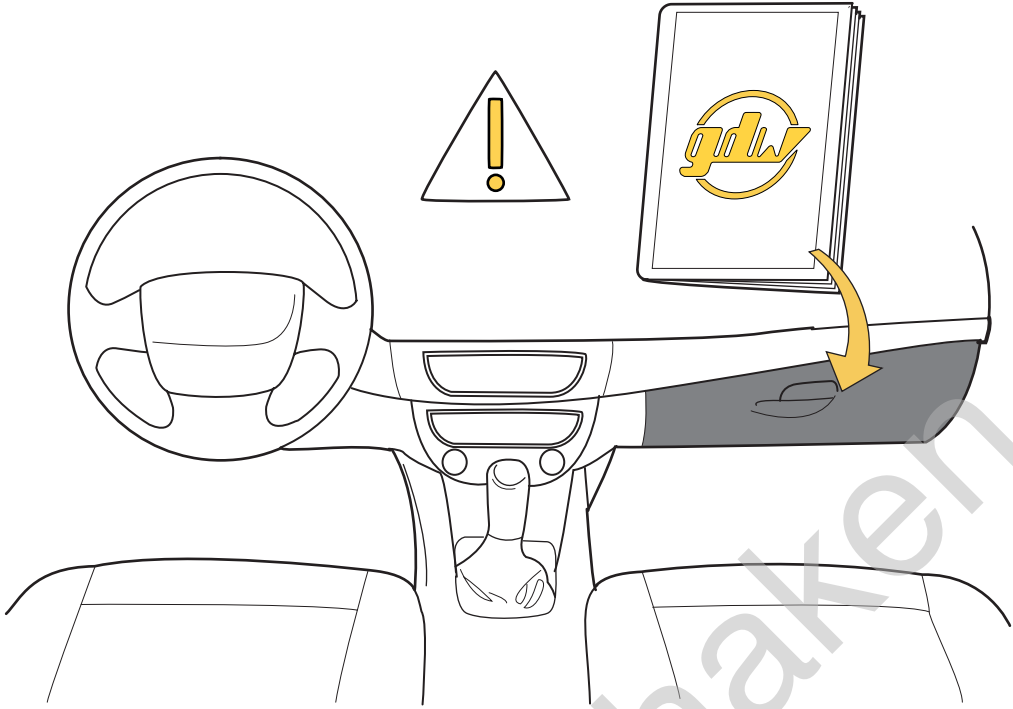
| | | | |
|---|--|----|-----------------|
| A | | X1 | 944.H031 |
| B | | X2 | DIN931 M12 X 70 |
| C | | X2 | DIN985 M12 |



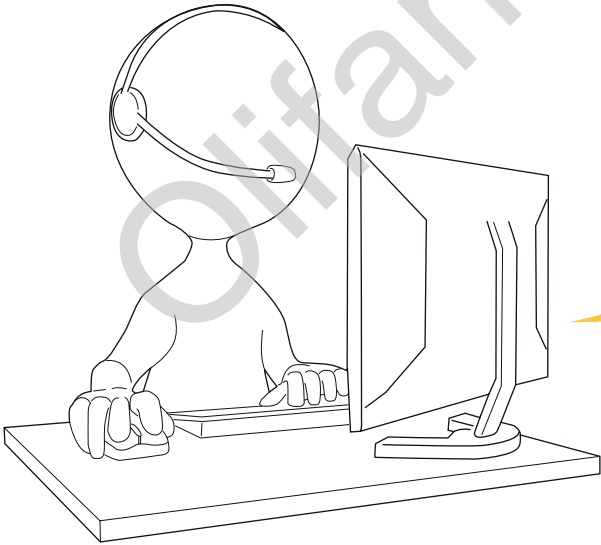
AFN Opties - Options - Options - Optionen - Opciones - Muligheder



!



HELP



helpdesk@gdwtowbars.com

| | | |
|-----------|---------------|---------------|
| Monday | 08:00 - 12:00 | 12:30 - 16:30 |
| Tuesday | 08:00 - 12:00 | 12:30 - 16:30 |
| Wednesday | 08:00 - 12:00 | 12:30 - 16:30 |
| Thursday | 08:00 - 12:00 | 12:30 - 16:30 |
| Friday | 08:00 - 12:00 | 12:30 - 15:30 |