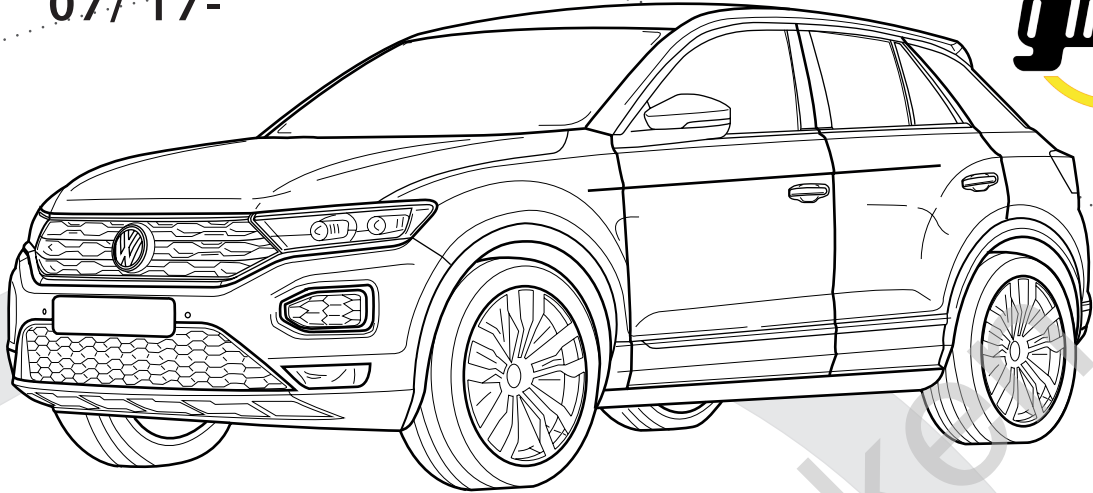




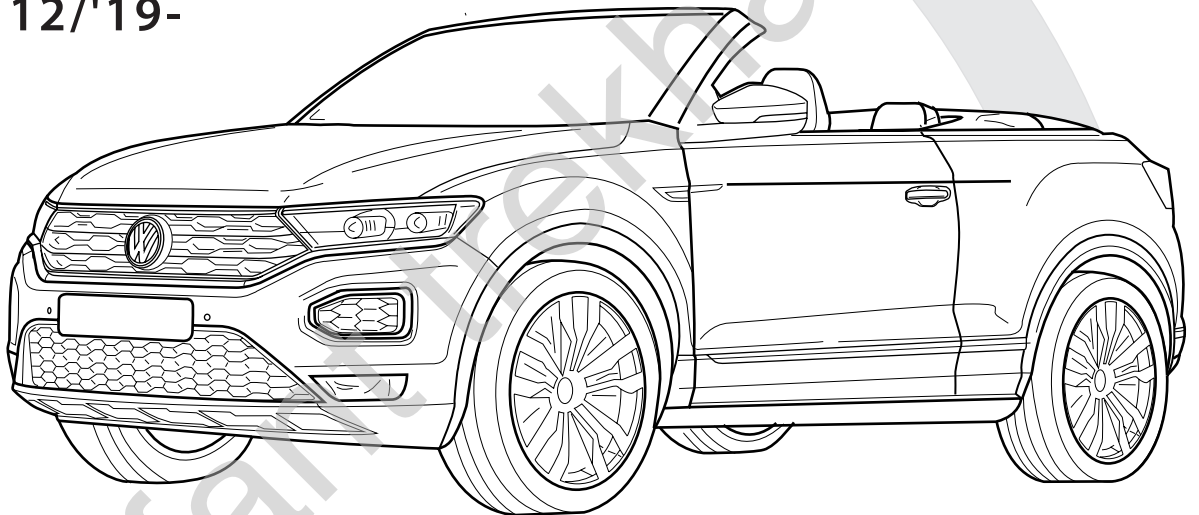
## Volkswagen T-Roc (A11)

07/'17-



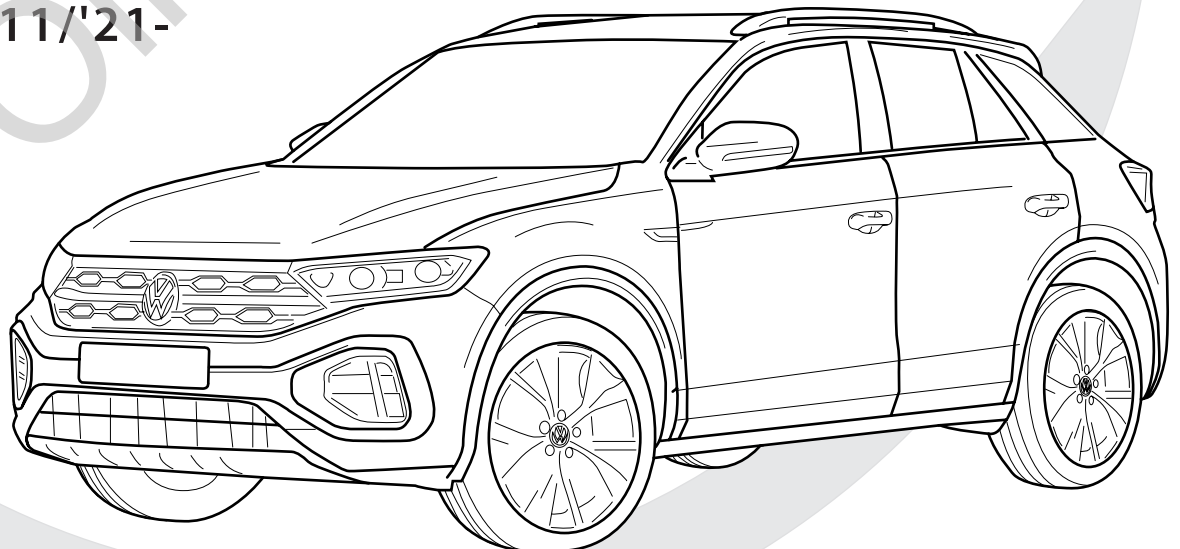
## Volkswagen T-Roc Cabriolet (AC7)

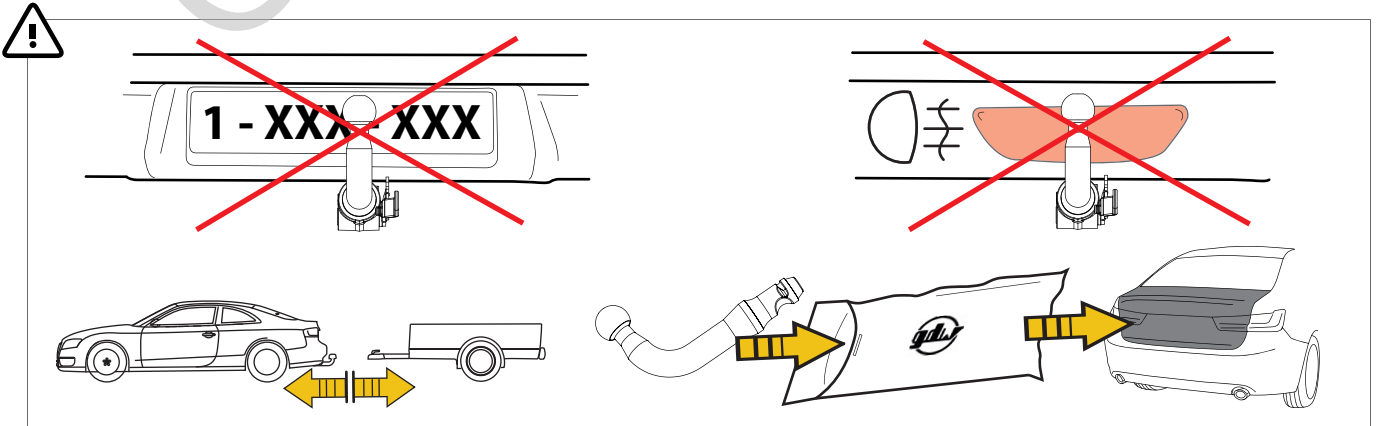
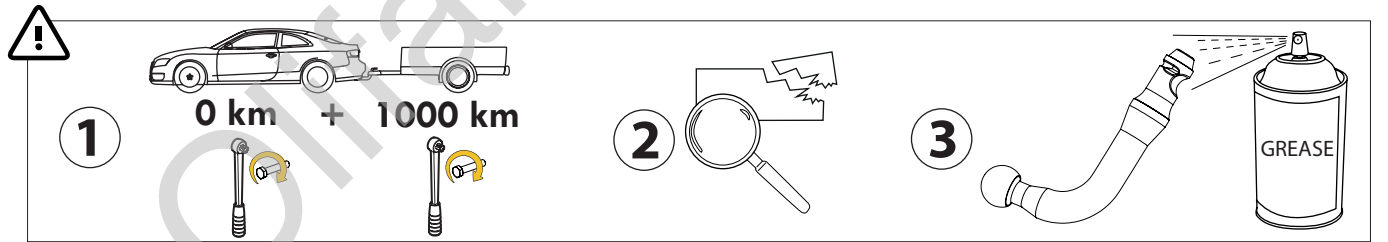
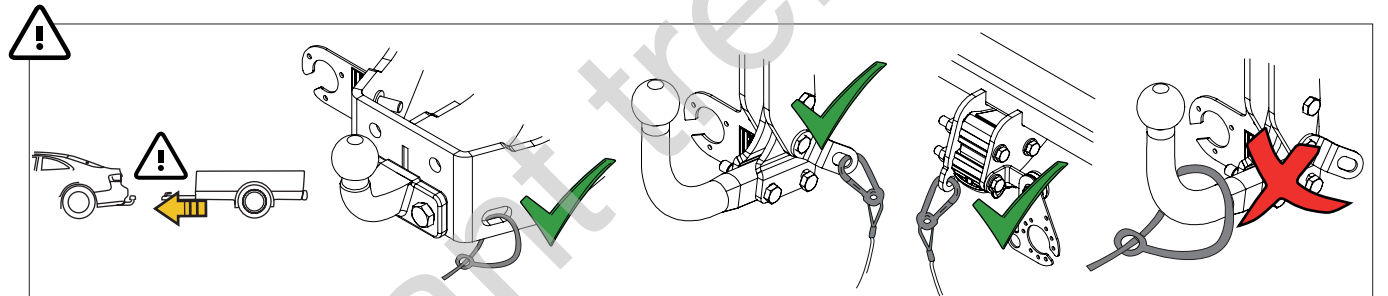
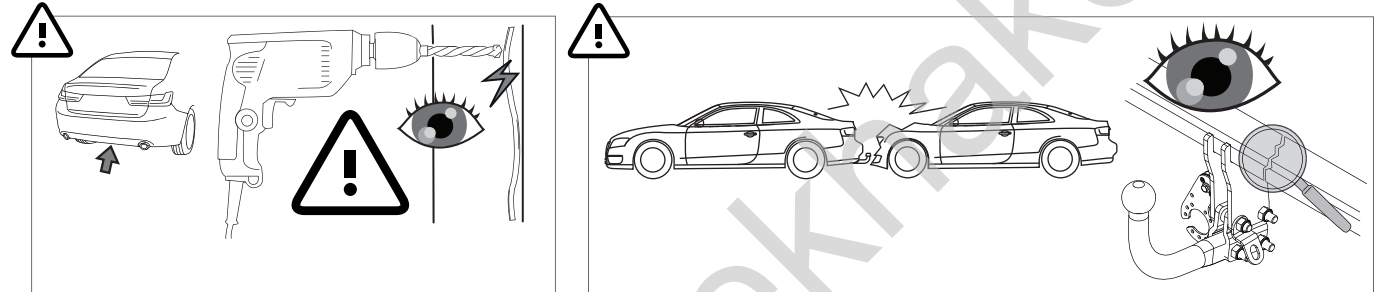
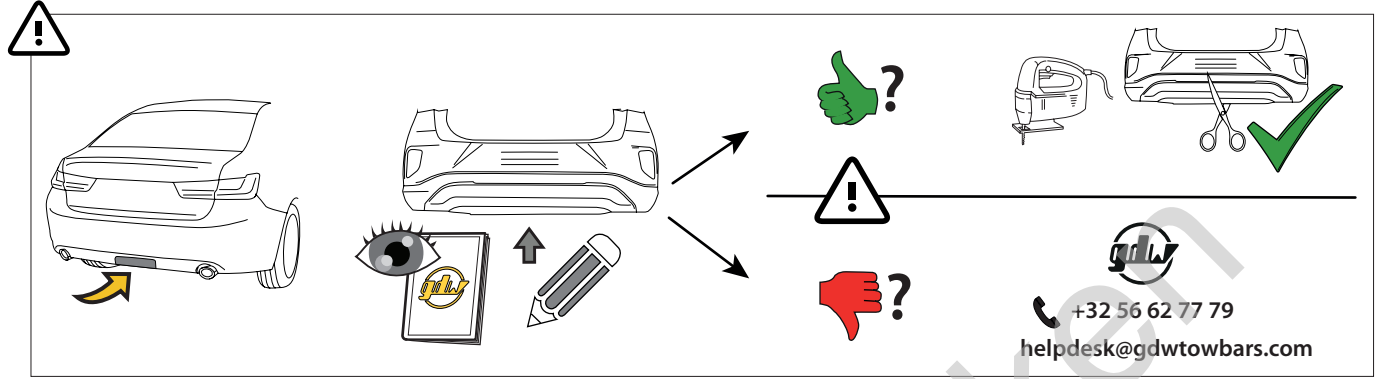
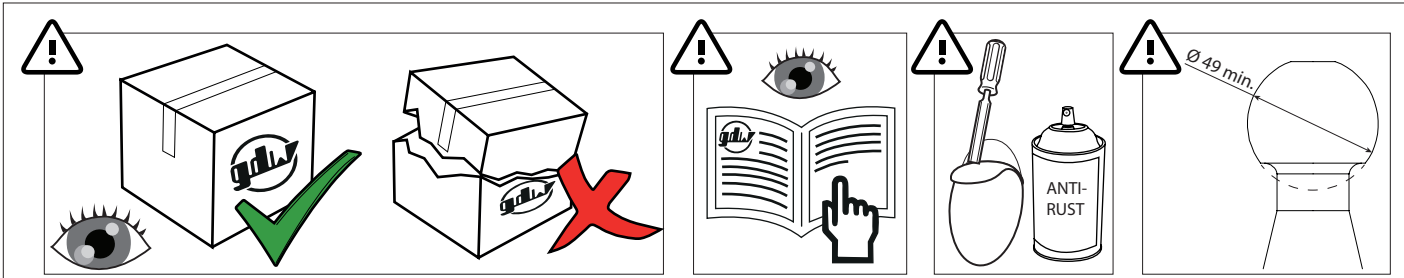
12/'19-




## Volkswagen T-Roc Facelift (A11, D11)

11/'21-





MADE BY  **D 10,10** **F** **E6**


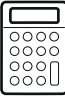
BELGIUM **S 100** EC-N° 55R-01 1442

REF N° SERIAL N°

2276T60 XXXX

**DESCRIPTION**

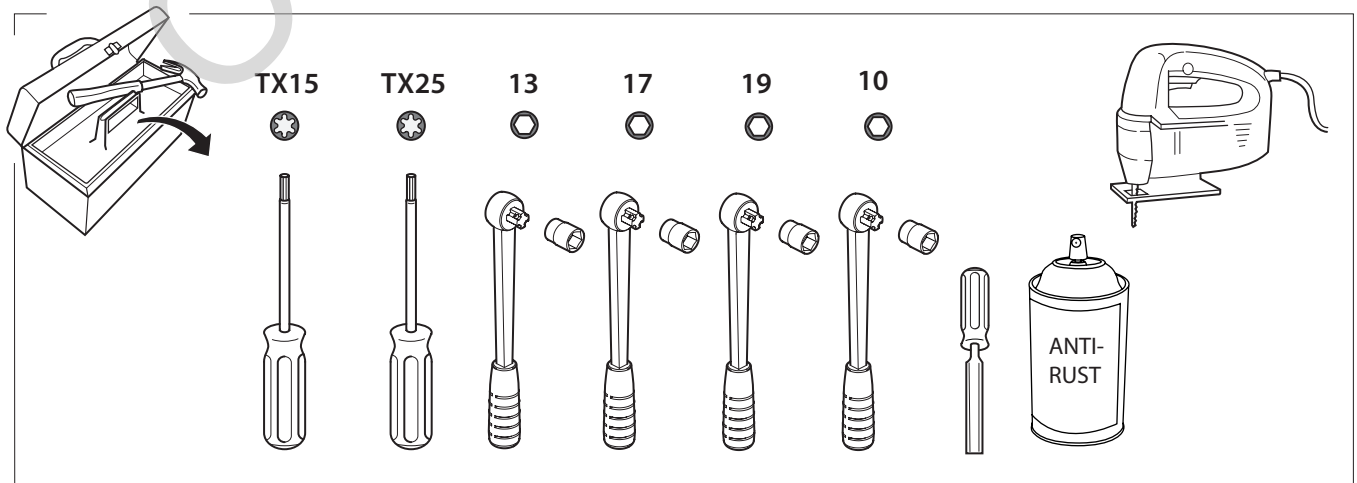
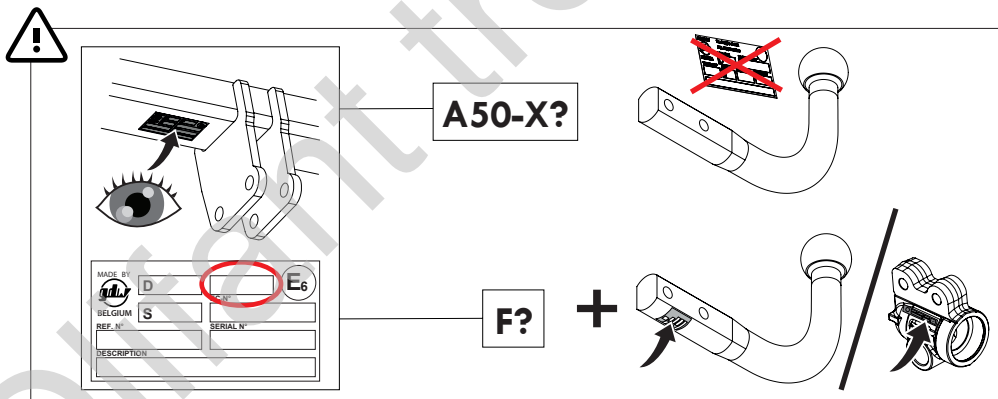
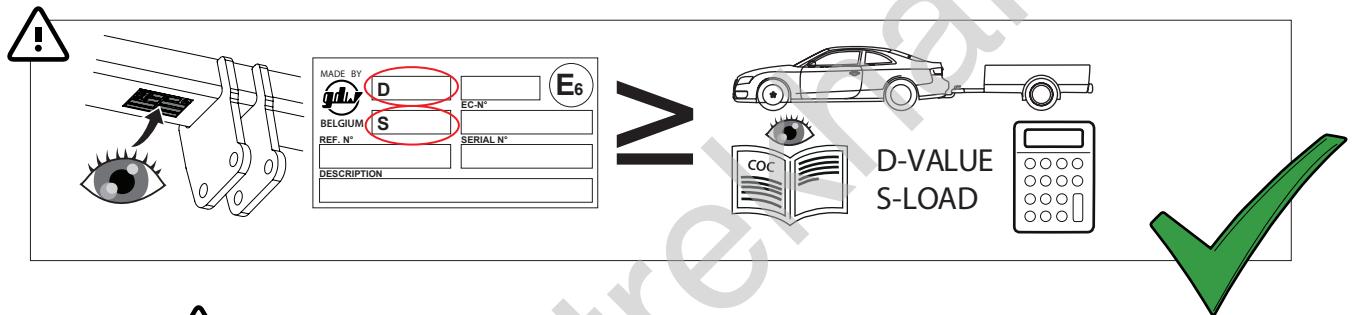
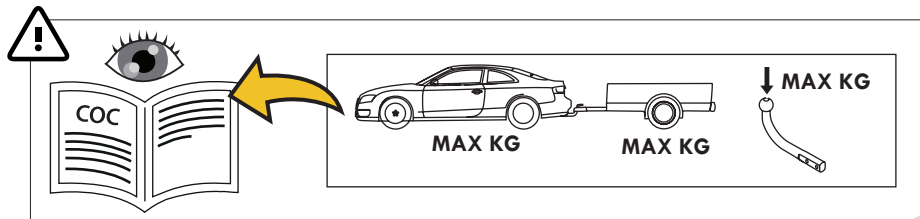
Volkswagen T-Roc 07/'17- & T-Roc Cabriolet 12/'19- & T-Roc Facelift 11/'21-

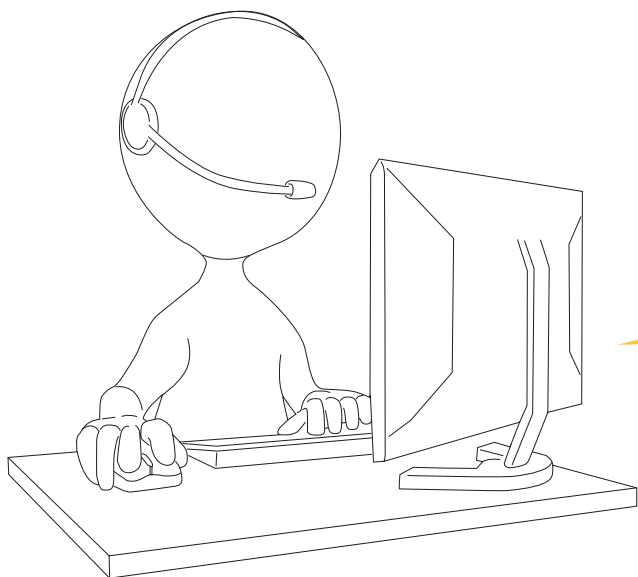
 

$$D = \frac{\text{max kg (car)} \times \text{max kg (trailer)}}{\text{max kg (car)} + \text{max kg (trailer)}} \times 0.00981 \leq 10,10 \text{ kN}$$

$$S = \begin{cases} \leq 100 \text{ kg} \\ \leq 2065 \text{ kg} \end{cases}$$

See the Certificate Of Conformity (COC) of your vehicle or contact your dealer to verify the max. trailer weight of your car!





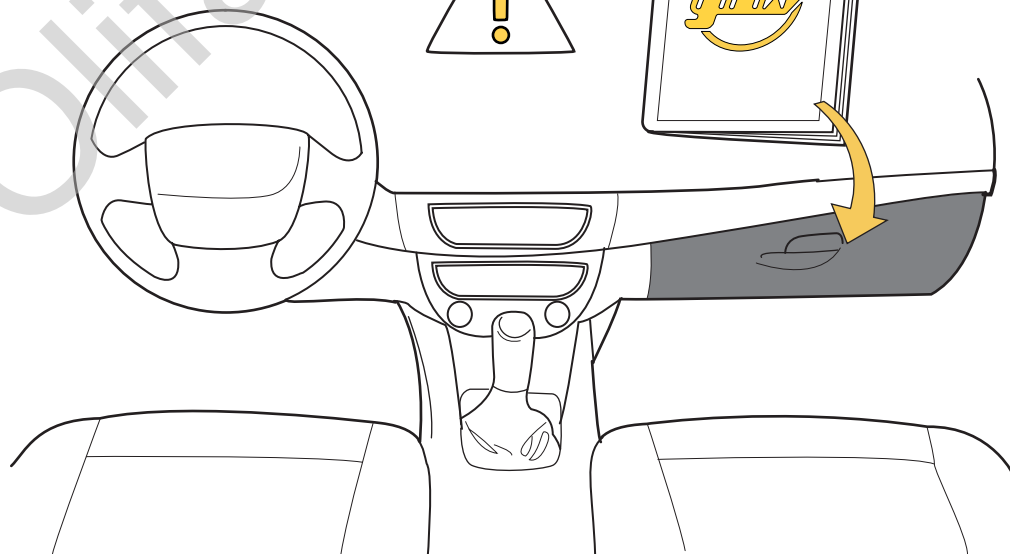
**helpdesk@gdwtowbars.com**

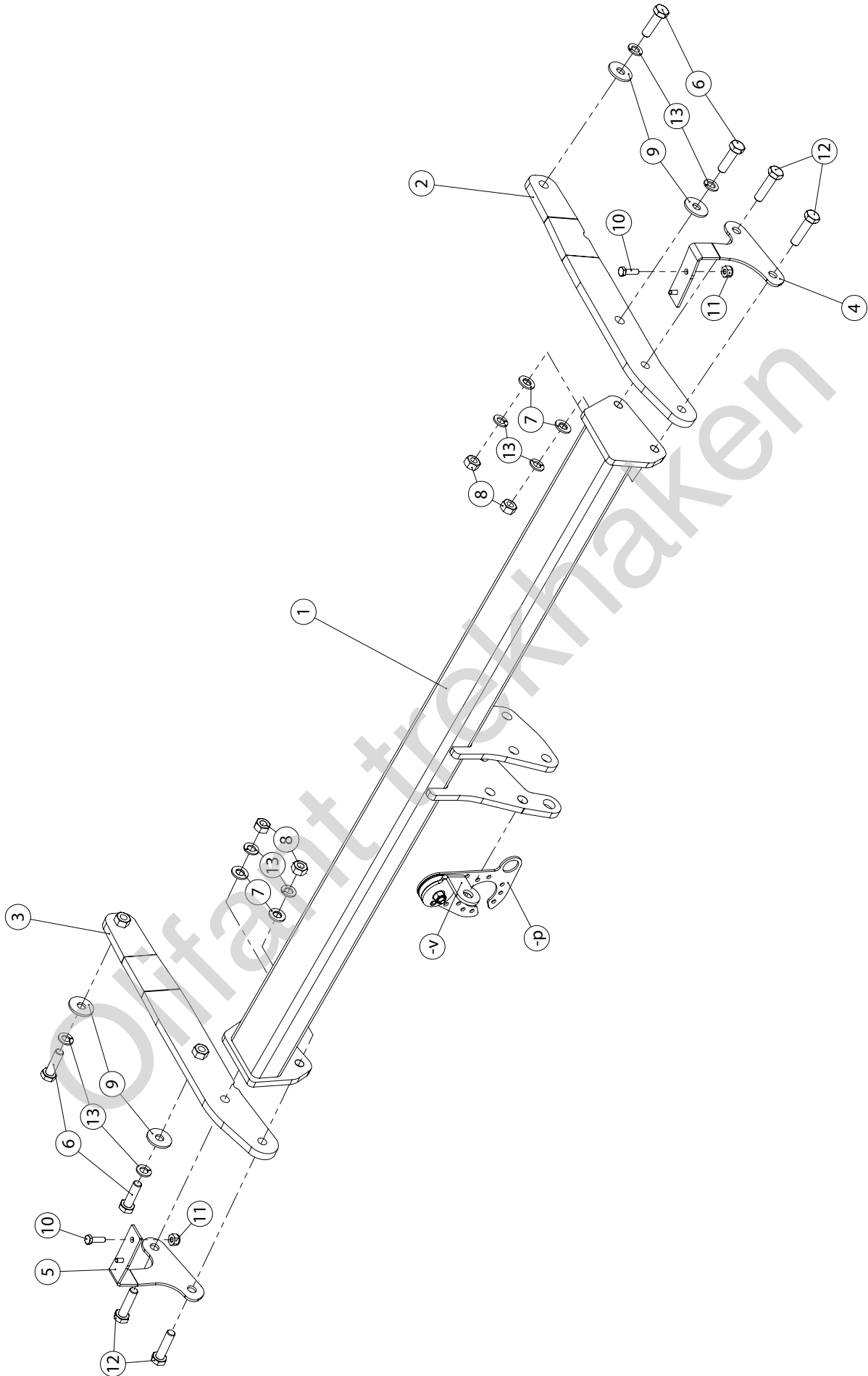
**+32 56 62 77 79**

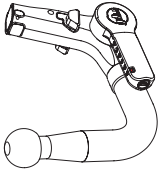

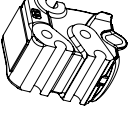


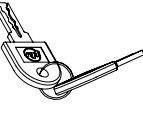

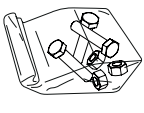




Monday	08:00 - 12:00	12:30 - 16:30
Tuesday	08:00 - 12:00	12:30 - 16:30
Wednesday	08:00 - 12:00	12:30 - 16:30
Thursday	08:00 - 12:00	12:30 - 16:30
Friday	08:00 - 12:00	12:30 - 15:30

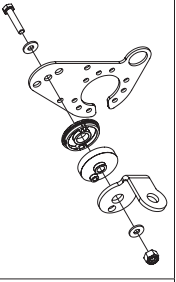

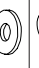


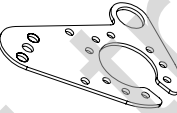




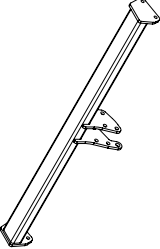
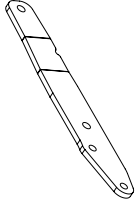
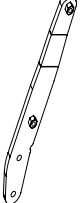
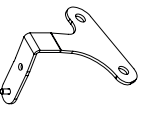
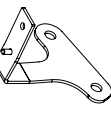









**KEY NUMBER**



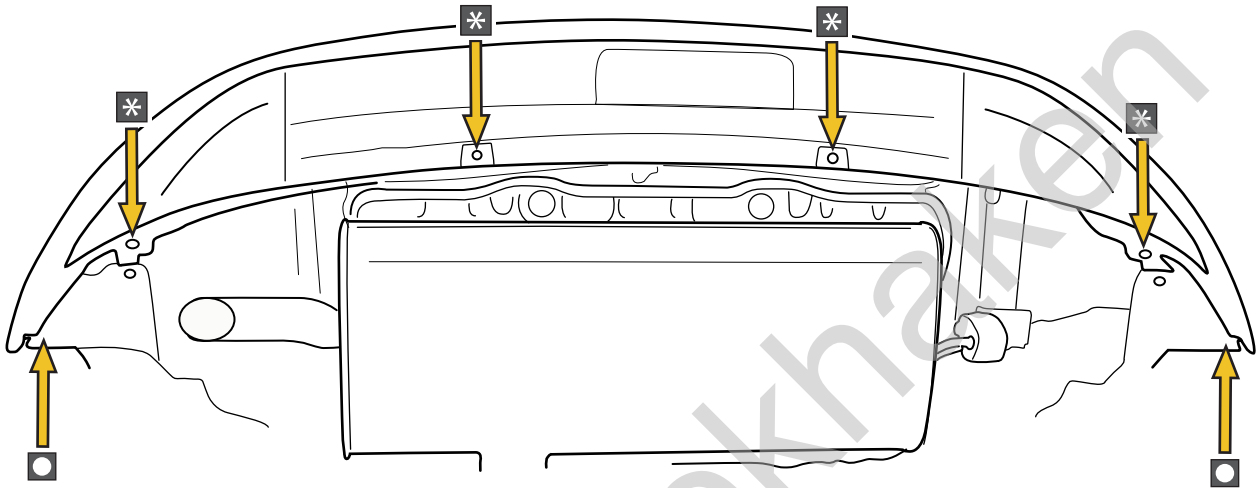
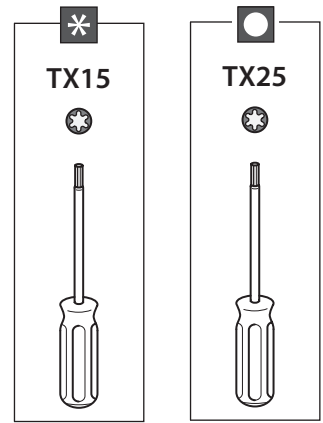
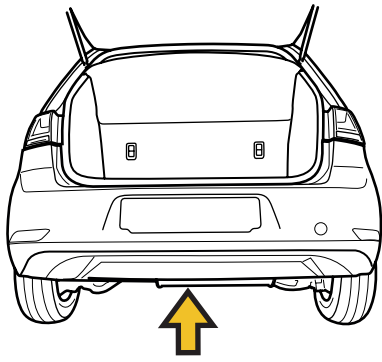


Geleverd met - Livré avec - Delivered with Geliefert mit - Elementos adjuntos-Leveres med		X1	GDW REF. 960.V0404
	↳ 	X1	GDW REF. 740.200
		X1	GDW REF. 912.003
	↳ 	X1	GDW REF. 740.112
	↳ 	X1	GDW REF. 740.111
		X1	GDW REF. 740.114
		X1	GDW REF. 718.15.001
		X1	GDW REF. SYST60-10
	↳ 	X3	DIN931-M12X110-8.8
	↳ 	X3	DIN128A-M12
	↳ 	X6	DIN125A-M12
	↳ 	X3	DIN934-M12

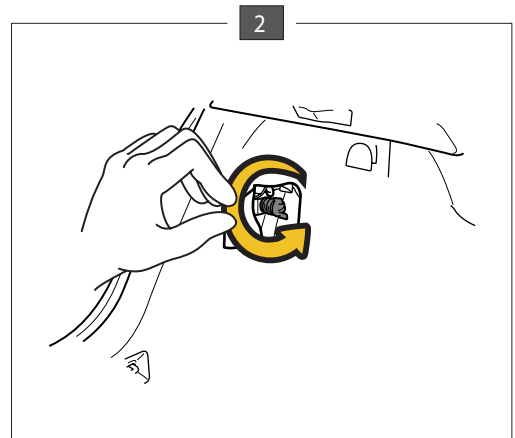
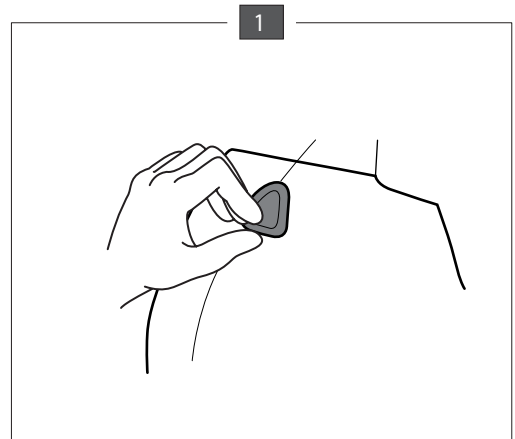
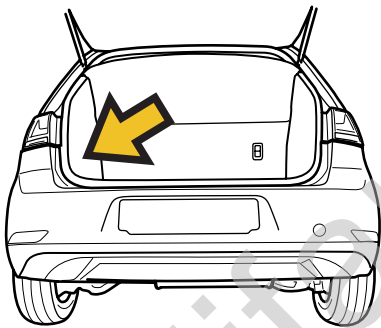
-P		X1	GDW REF. P38
↳		X1	DIN985-M6
↳		X2	6,2 X 15,4 X 1,6 (NYLON)
↳		X1	GDW REF. 718.16.002
↳		X1	GDW REF. 718.16.003
↳		X1	GDW REF. 908.094
↳		X1	DIN933-M6 X 30
↳		X1	GDW REF. 2276T60-090

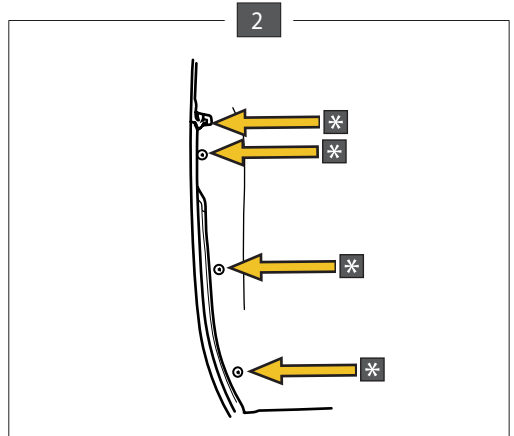
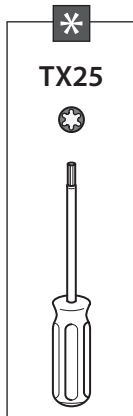
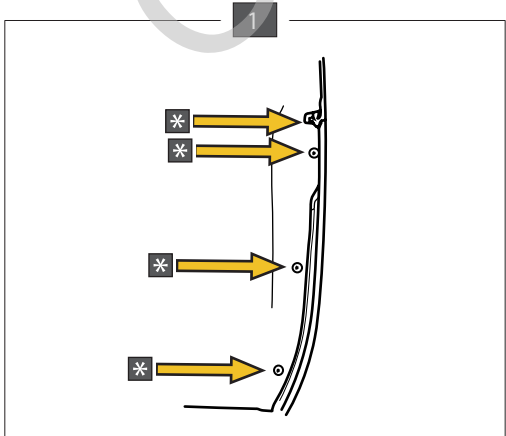
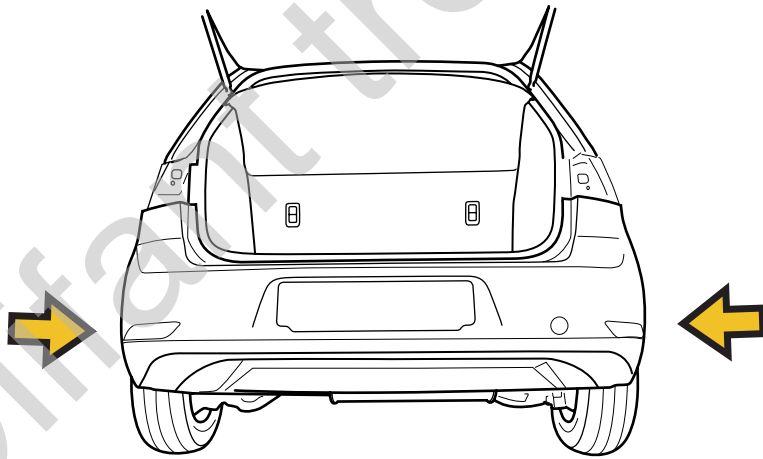
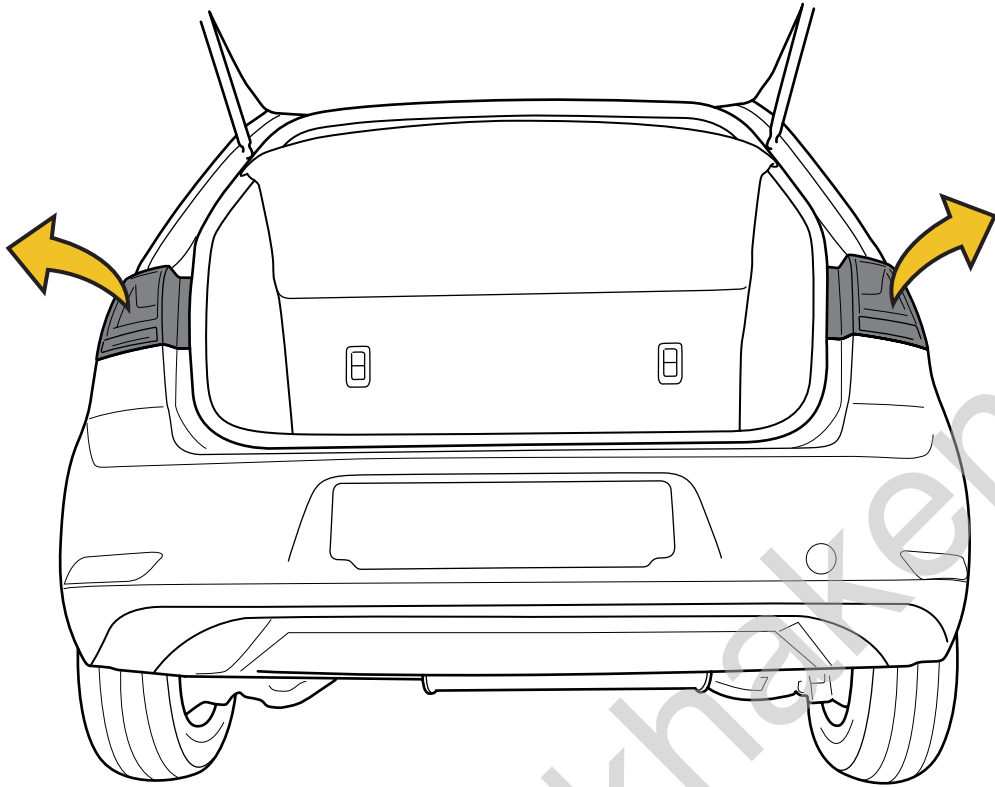
1		X1	GDW REF. 2276T60
2		X1	GDW REF. 2
3		X1	GDW REF. 3
4		X1	GDW REF. 4
5		X1	GDW REF. 5
6		X4	DIN933-M10 X 35
7		X4	DIN125-A10-140HV-ELVZ
8		X4	DIN934-M10
9		X4	DIN9021-M10-ELVZ
10		X2	DIN933-M6 X 20
11		X2	DIN985-M6
12		X4	DIN933-M10 X 40
13		X8	DIN128A-M10
-V		X1	GDW REF. 2276T60-090

1



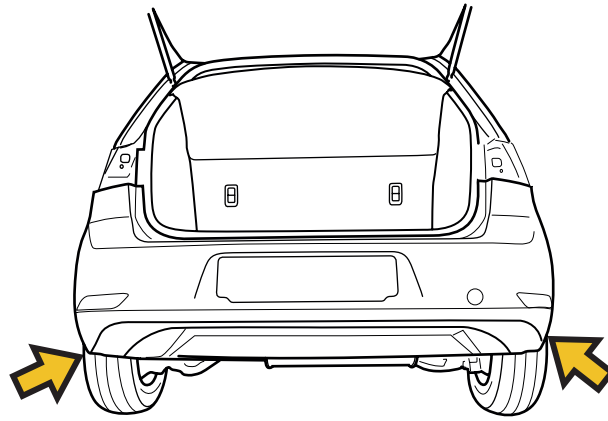
2



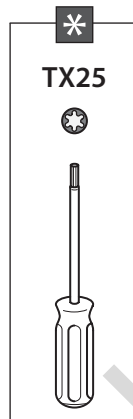
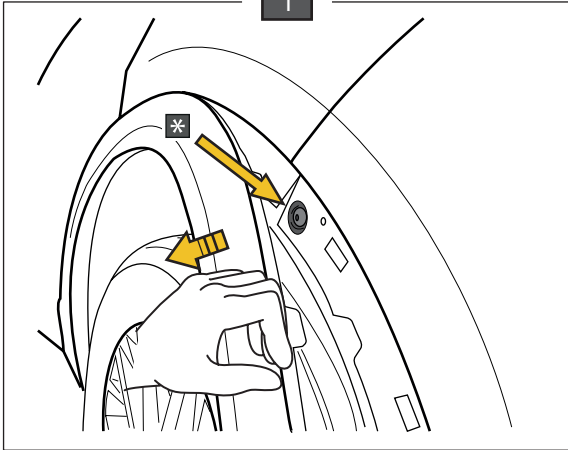




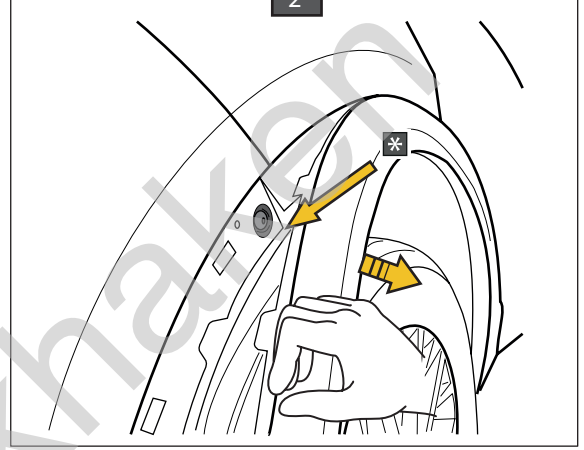
5



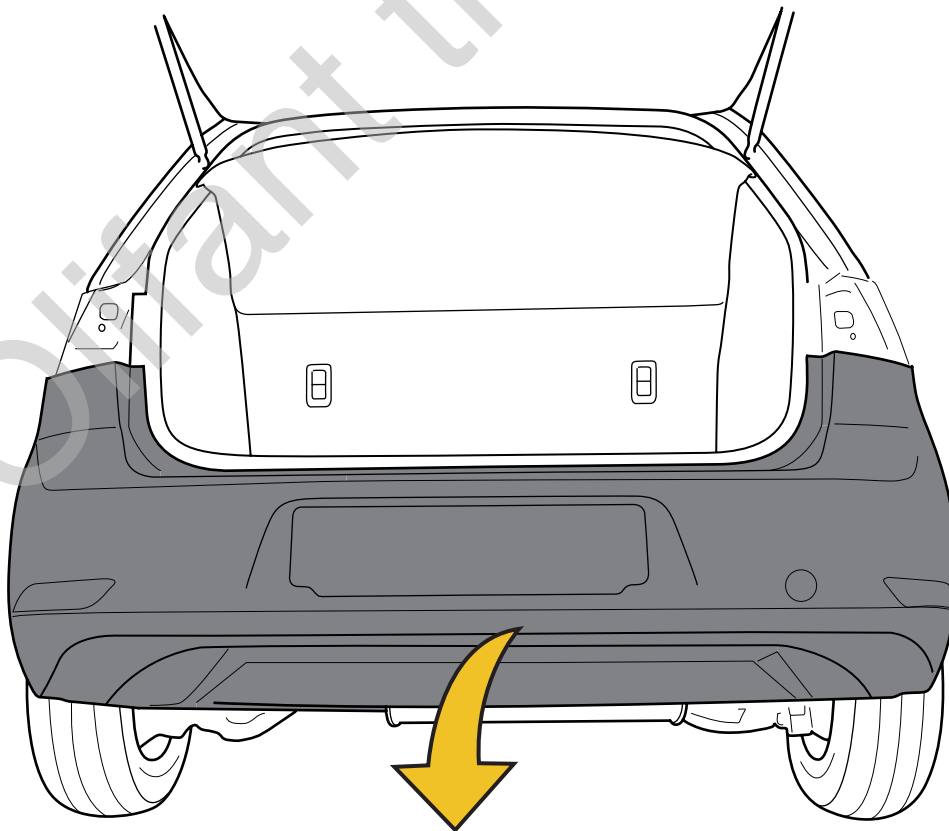
1

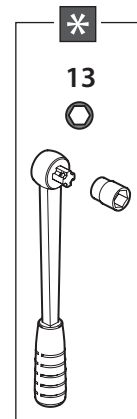
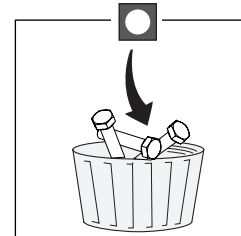
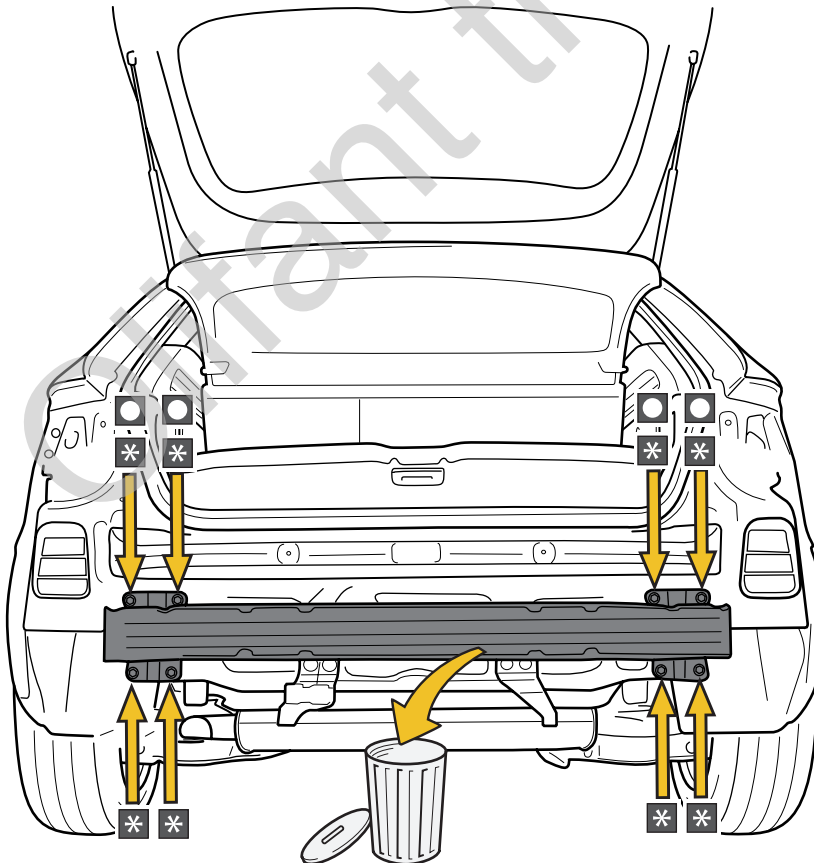
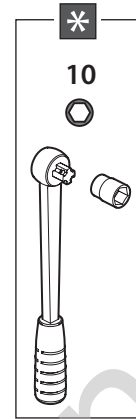
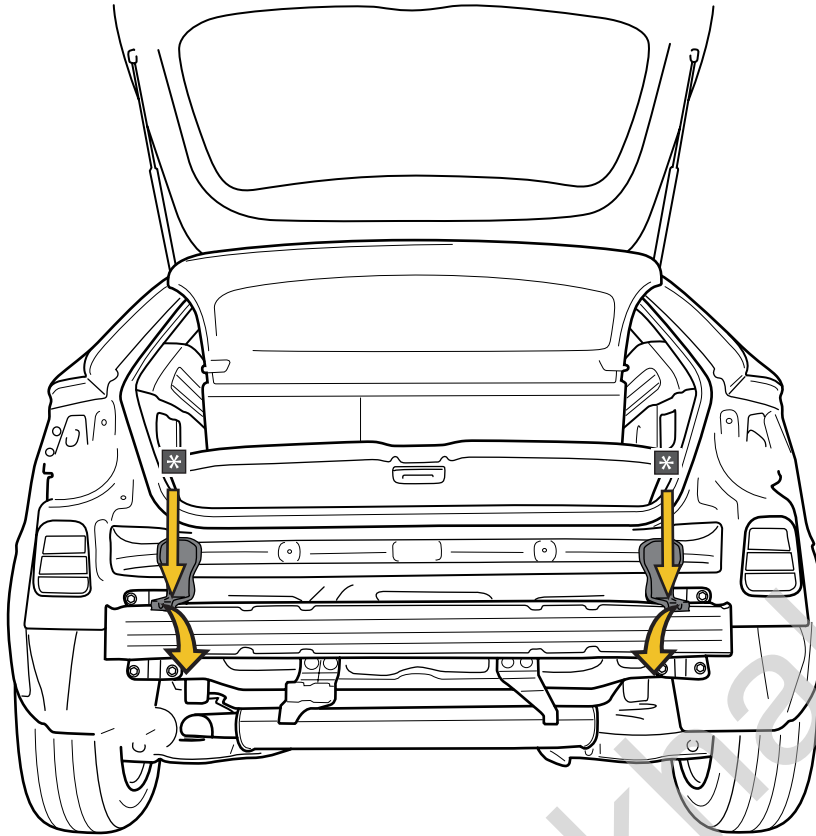


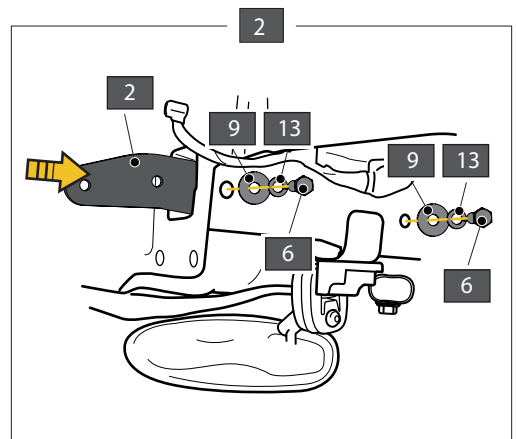
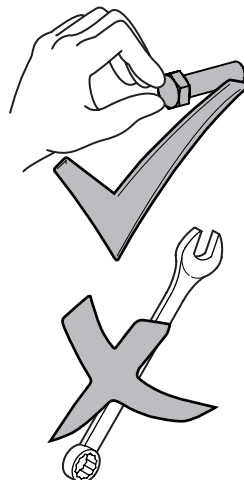
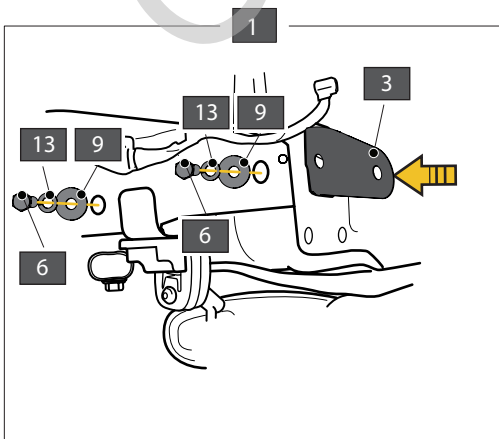
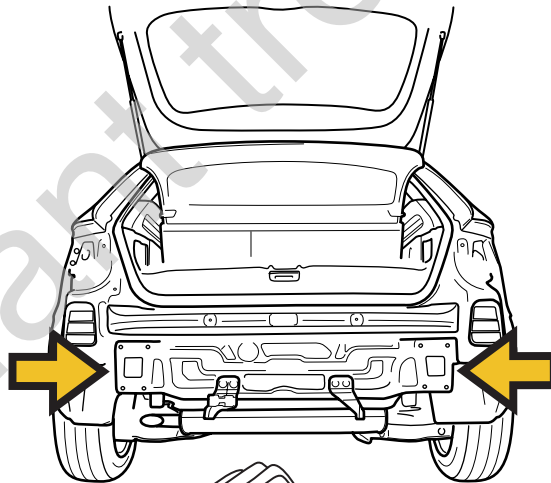
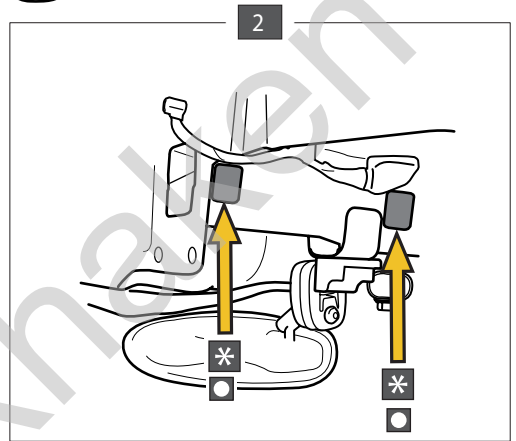
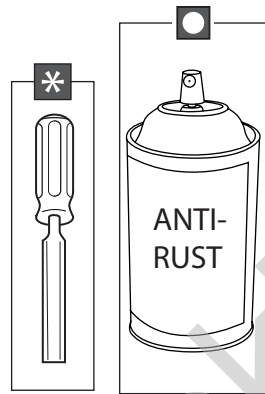
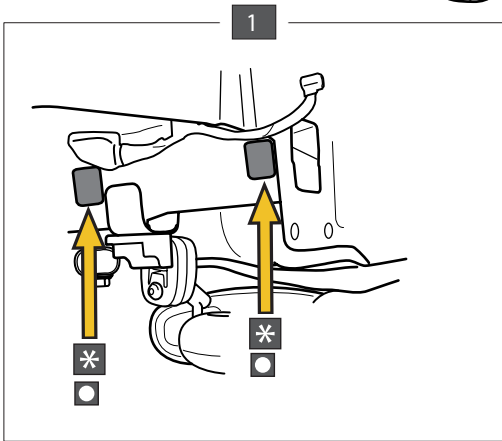
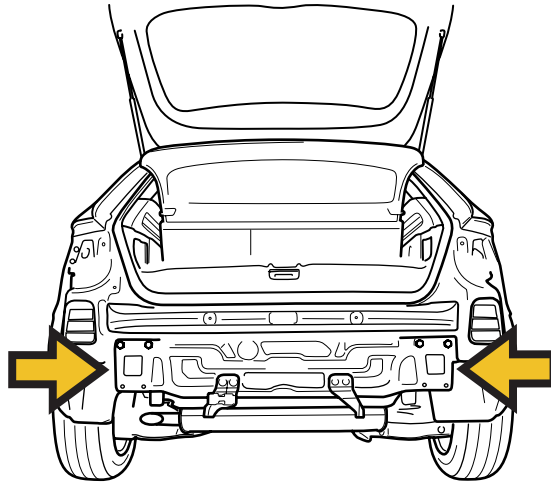
2

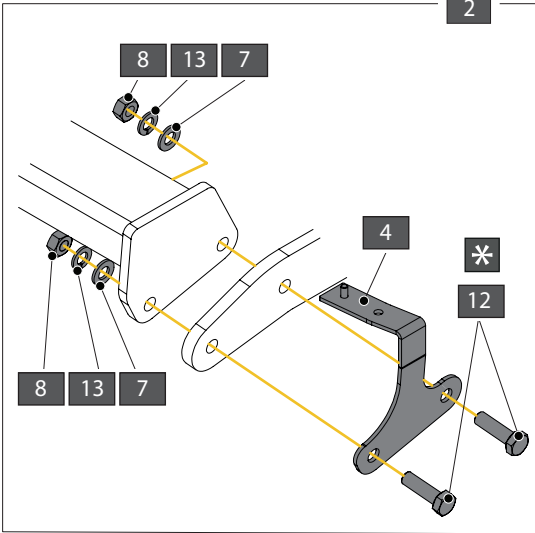
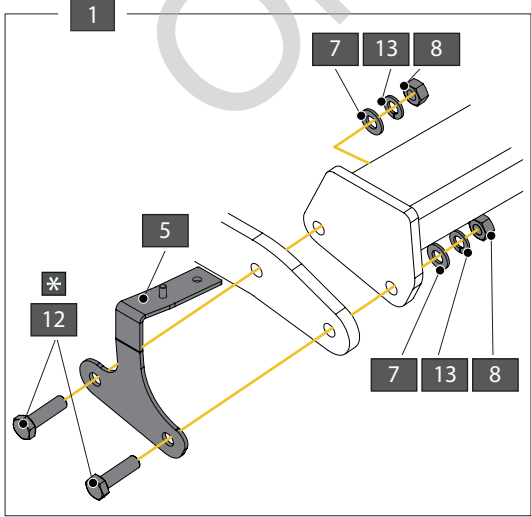
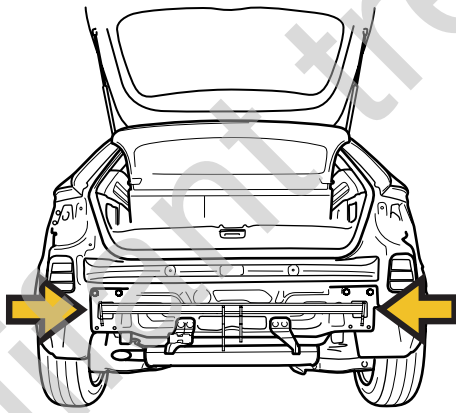
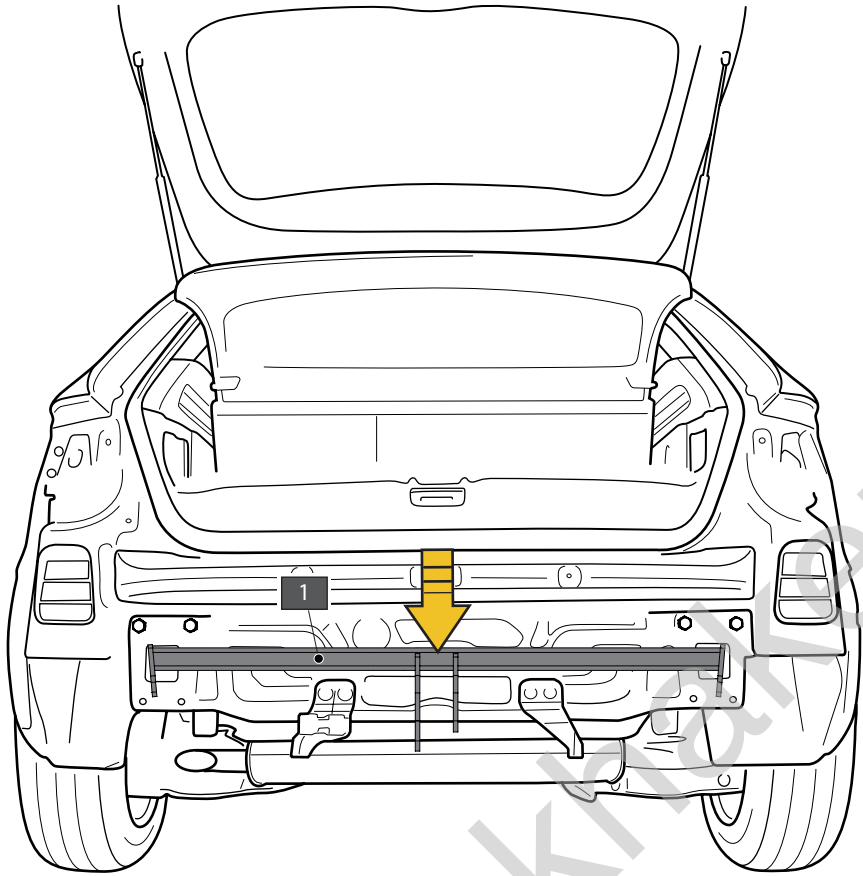


6



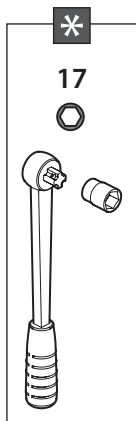
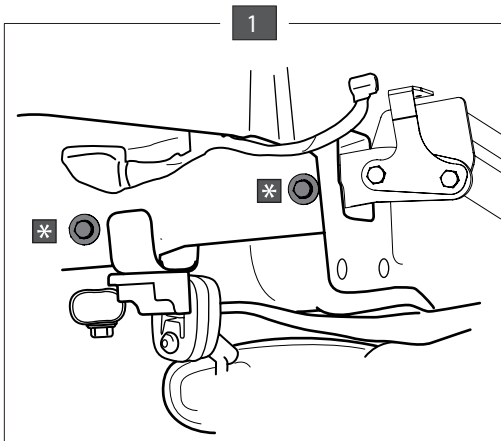
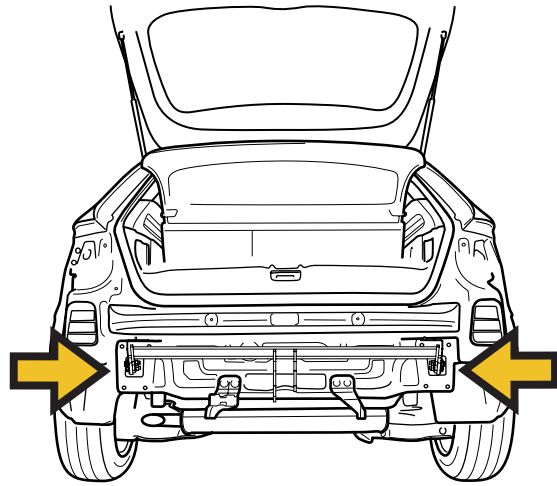




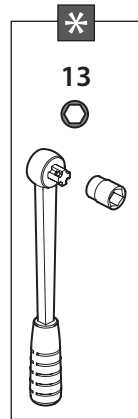
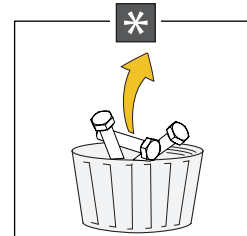
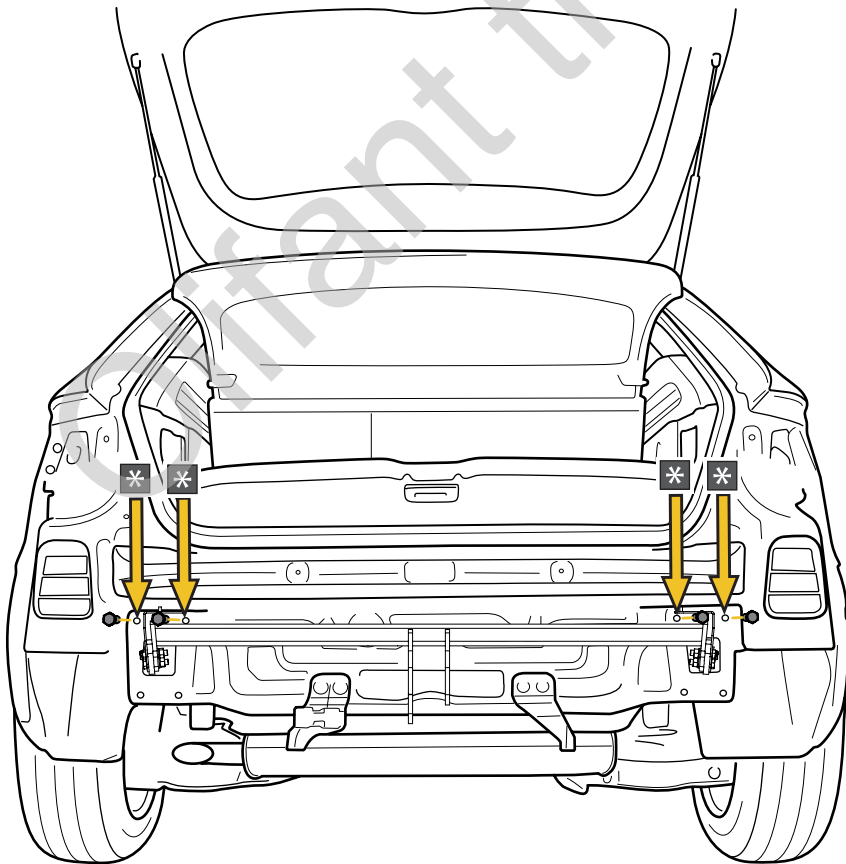
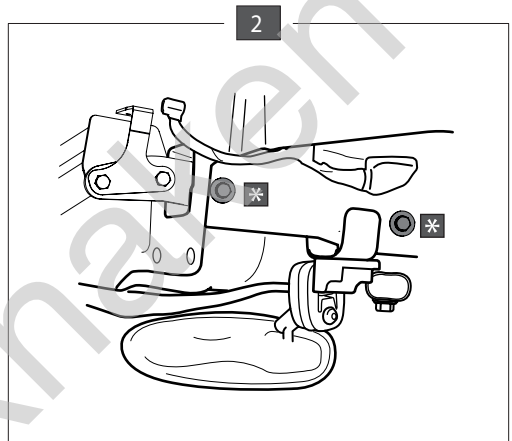


54,0 Nm

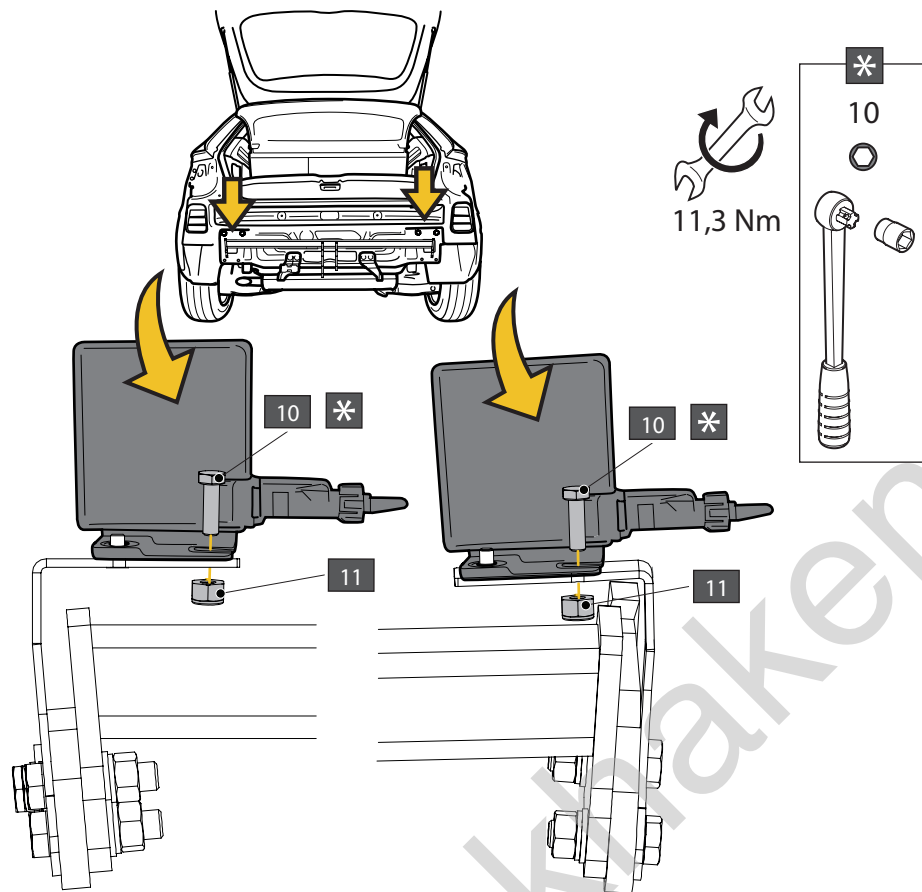
A wrench and a torque wrench icon are shown next to the torque value.



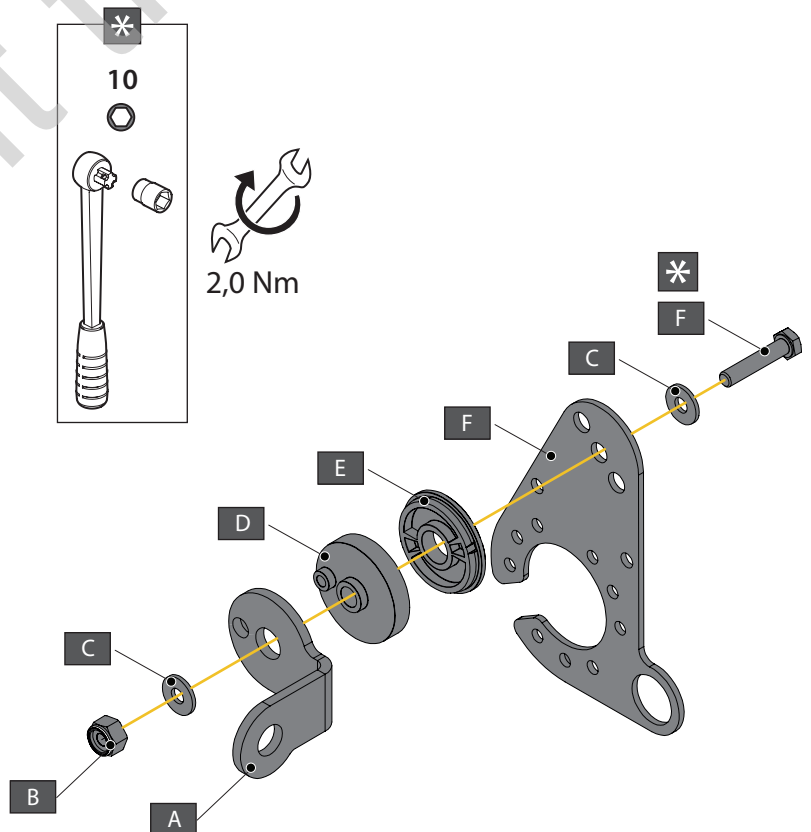
54,0 Nm

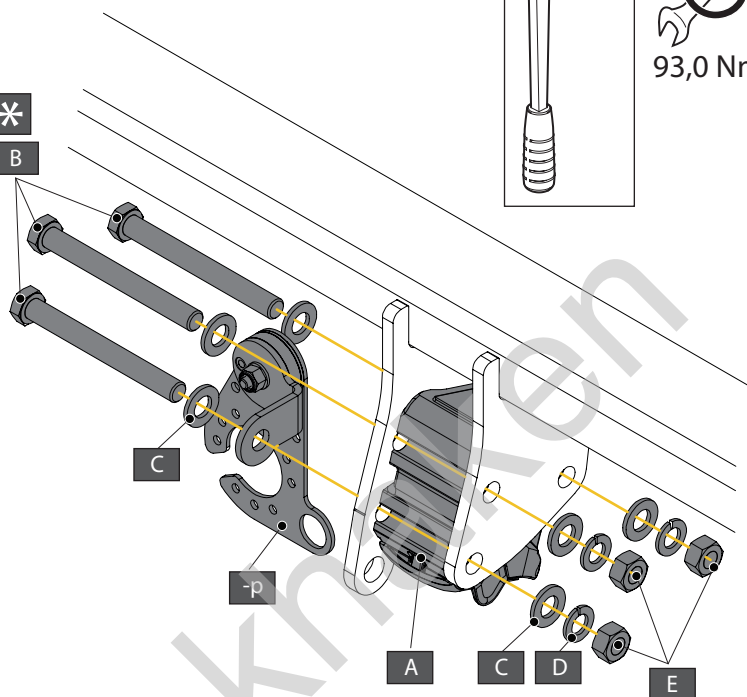
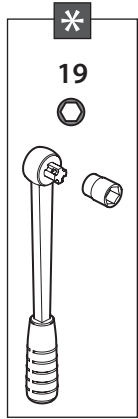


27,3 Nm



A		X1	GDW REF. 2276T60-090
B		X1	DIN985-M6
C		X2	6,2 X 15,4 X 1,6 (NYLON)
D		X1	GDW REF. 718.16.002
E		X1	GDW REF. 718.16.003
F		X1	GDW REF. 908.094
G		X1	DIN933-M6 X 30





A		X1	912.003
B		X3	DIN931-M12X110
C		X6	DIN125A-M12
D		X3	DIN128A-M12
E		X3	DIN934-M12

