



TREKHAKEN • ATTELAGES • ANHÄNGERVORRICHTUNGEN • TOWBARS • ENHANCES • ANHÆNGERTRÆK

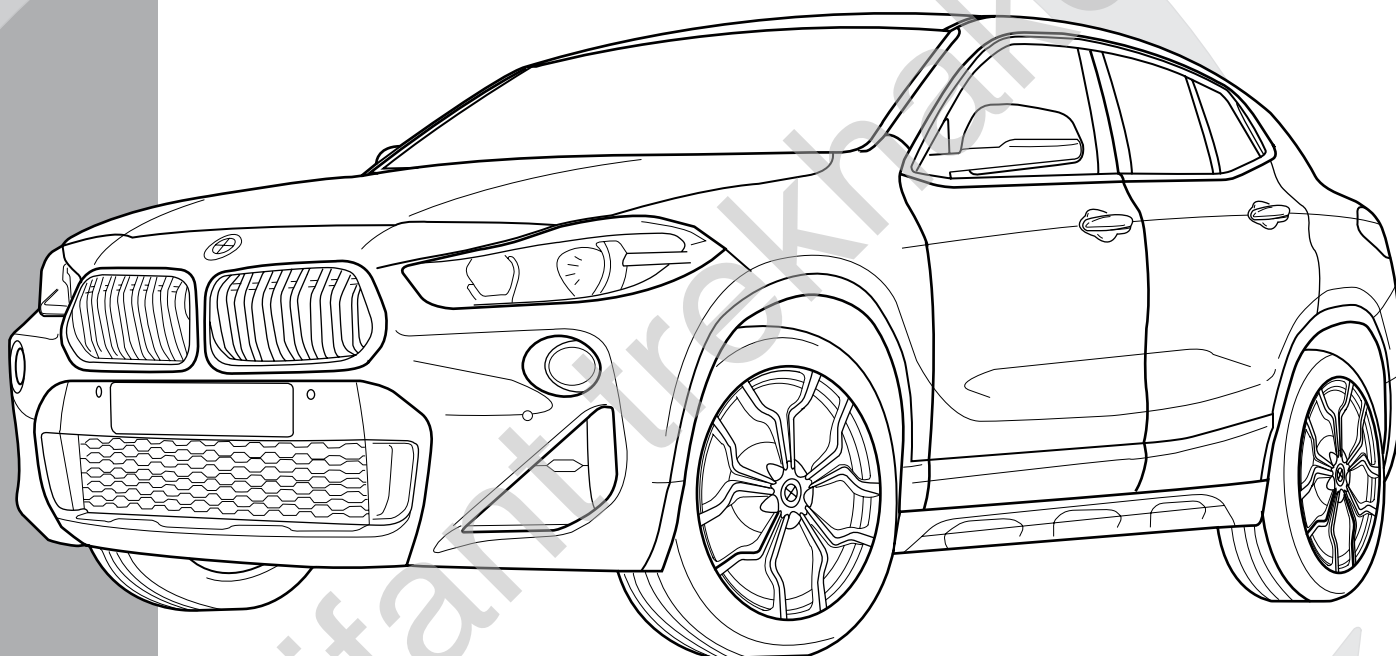
Montagehandleiding | instructions de montage | Einbauanleitung | Mounting instruction
Instrucciones de montaje | monteringsvejledning




BMW X2

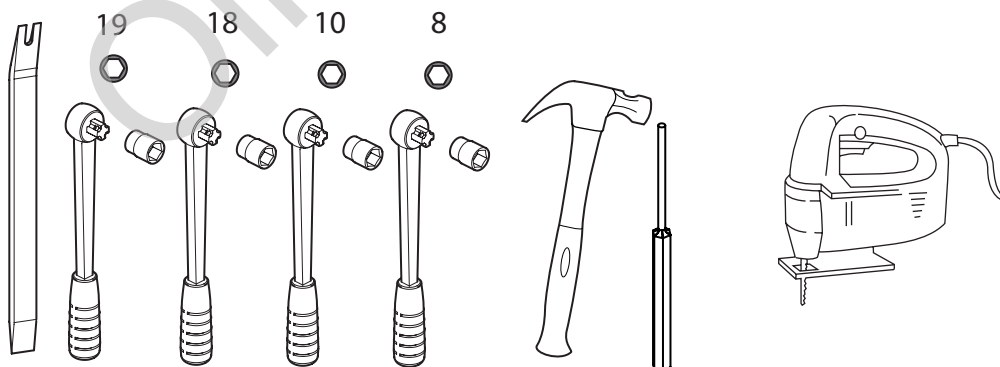
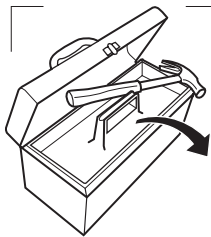
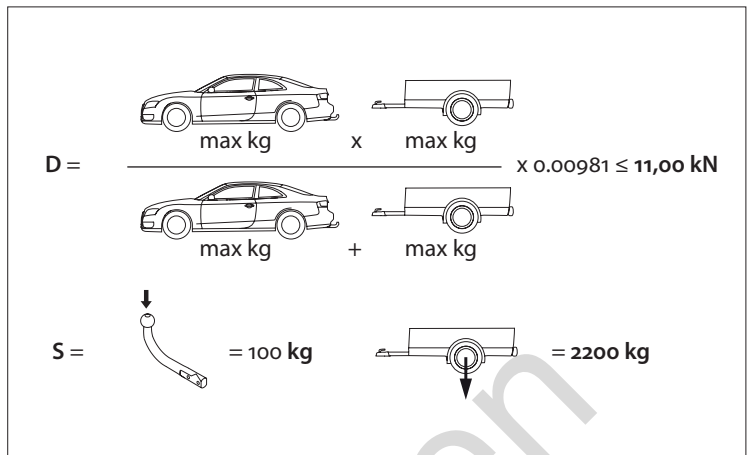
01/'18-

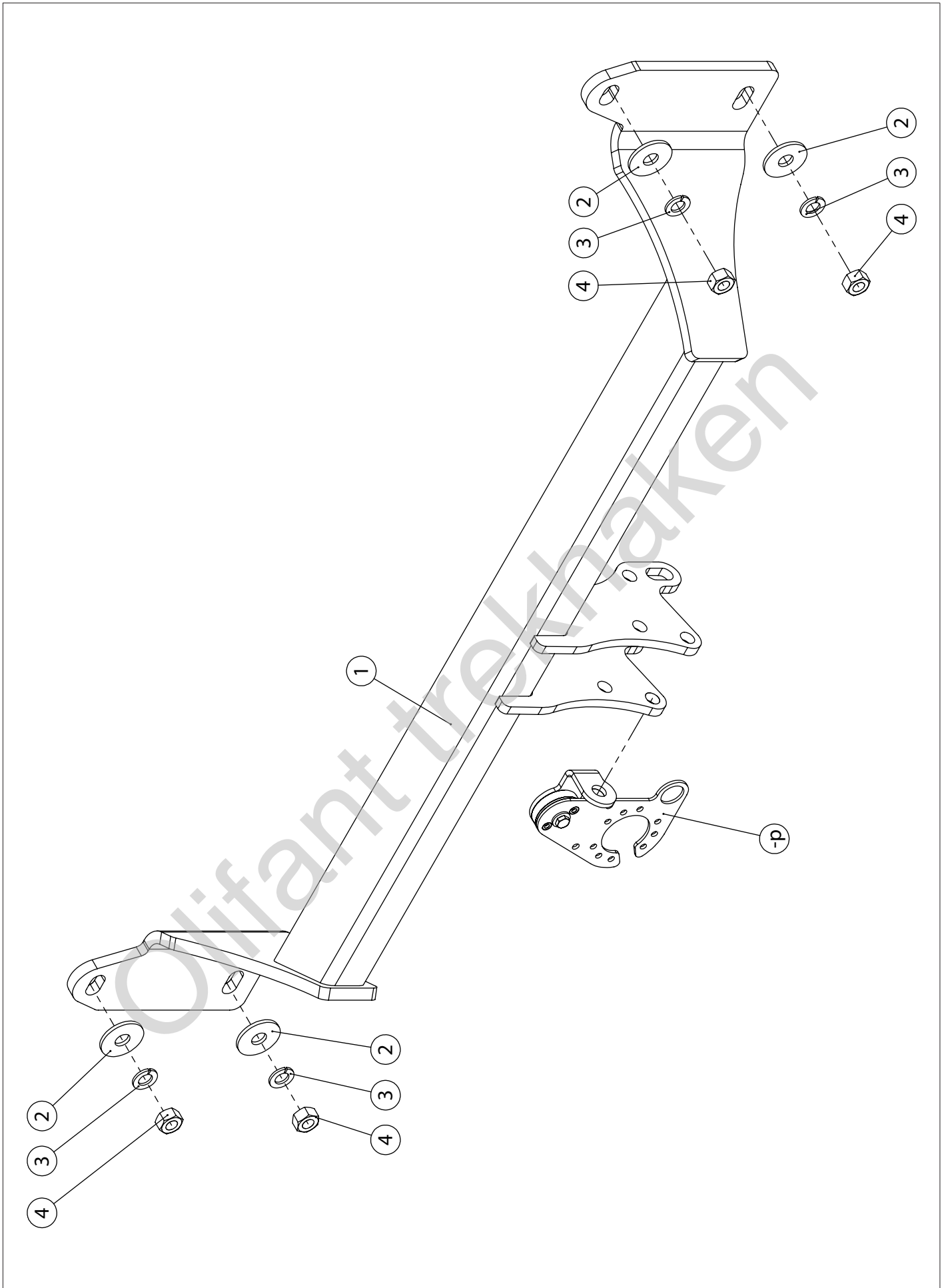
- ✓ STANDARD
- ✓ M SPORT PACKAGE

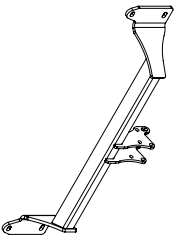

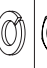





See the Certificate Of Conformity (COC) of your vehicle or contact your dealer to verify the max. trailer weight of your car!

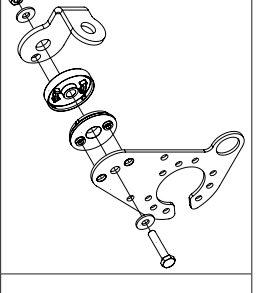

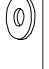


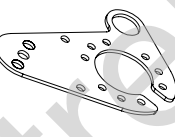


MADE BY	D 11,00	F	E6
			
BELGIUM	S 100	EC APPROVAL N°	
		55R-011441	
REF N°	SERIE N°		
2274T60			
OMSCHRIJVING			
BMW X2 01-'18-			

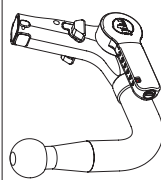

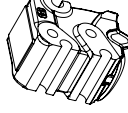


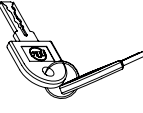

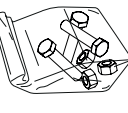








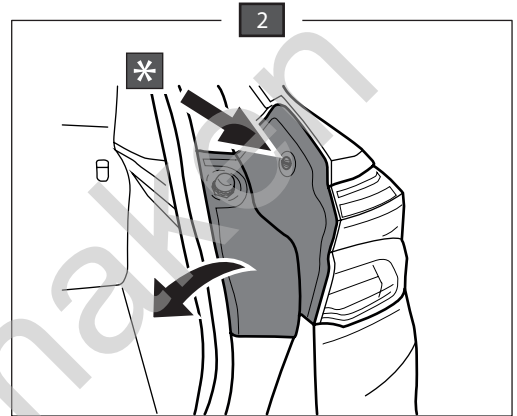
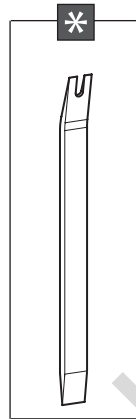
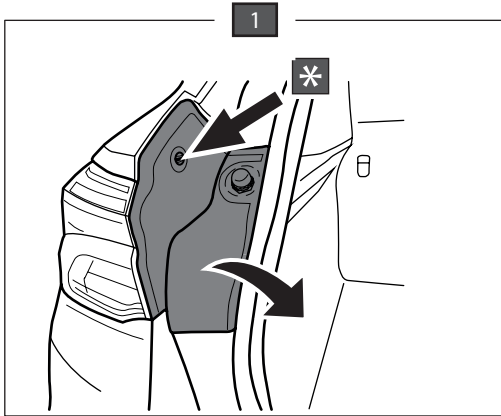
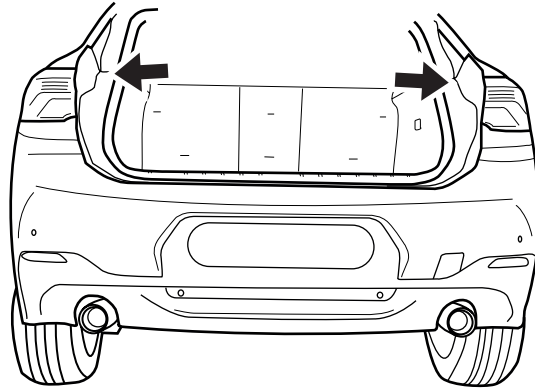
1		X1	GDW REF. 2274T60
2		X4	DIN9021-M12-ELVZ
3		X4	DIN 128A-M12
4		X4	DIN 934-M10 X 1,5
-V		X1	GDW REF. 908.097

↳		X8	GDW REF. 749.02.06351888
---	---	----	--------------------------

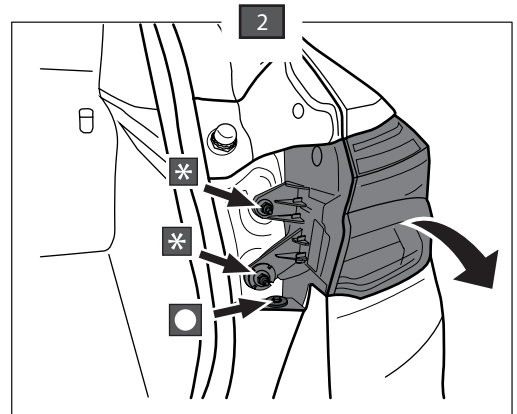
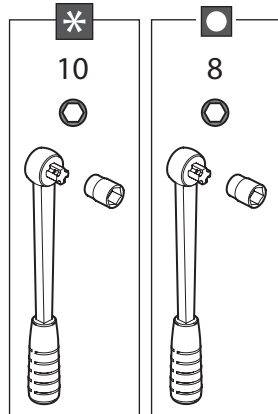
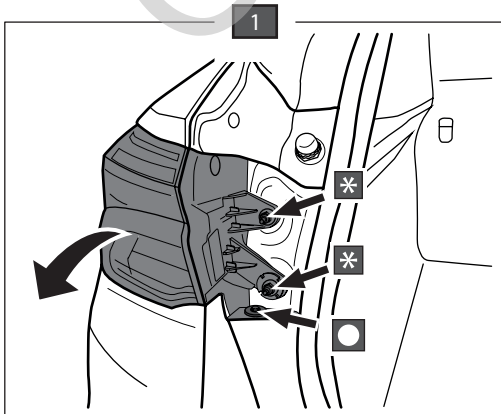
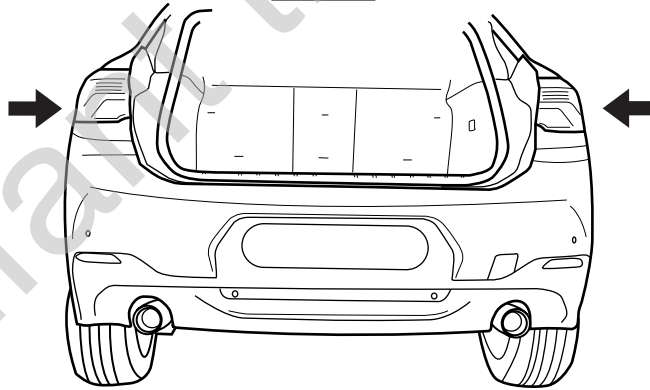
-P		X1	GDW REF. P41
↳		X1	DIN95-M6
↳		X2	6,2 X 15,4 X 1,6 (NYLON)
↳		X1	GDW REF. 718.16.002
↳		X1	GDW REF. 718.16.003
↳		X1	GDW REF. 908.094
↳		X1	DIN933-M6 X 30
↳		X1	GDW REF. 908.097

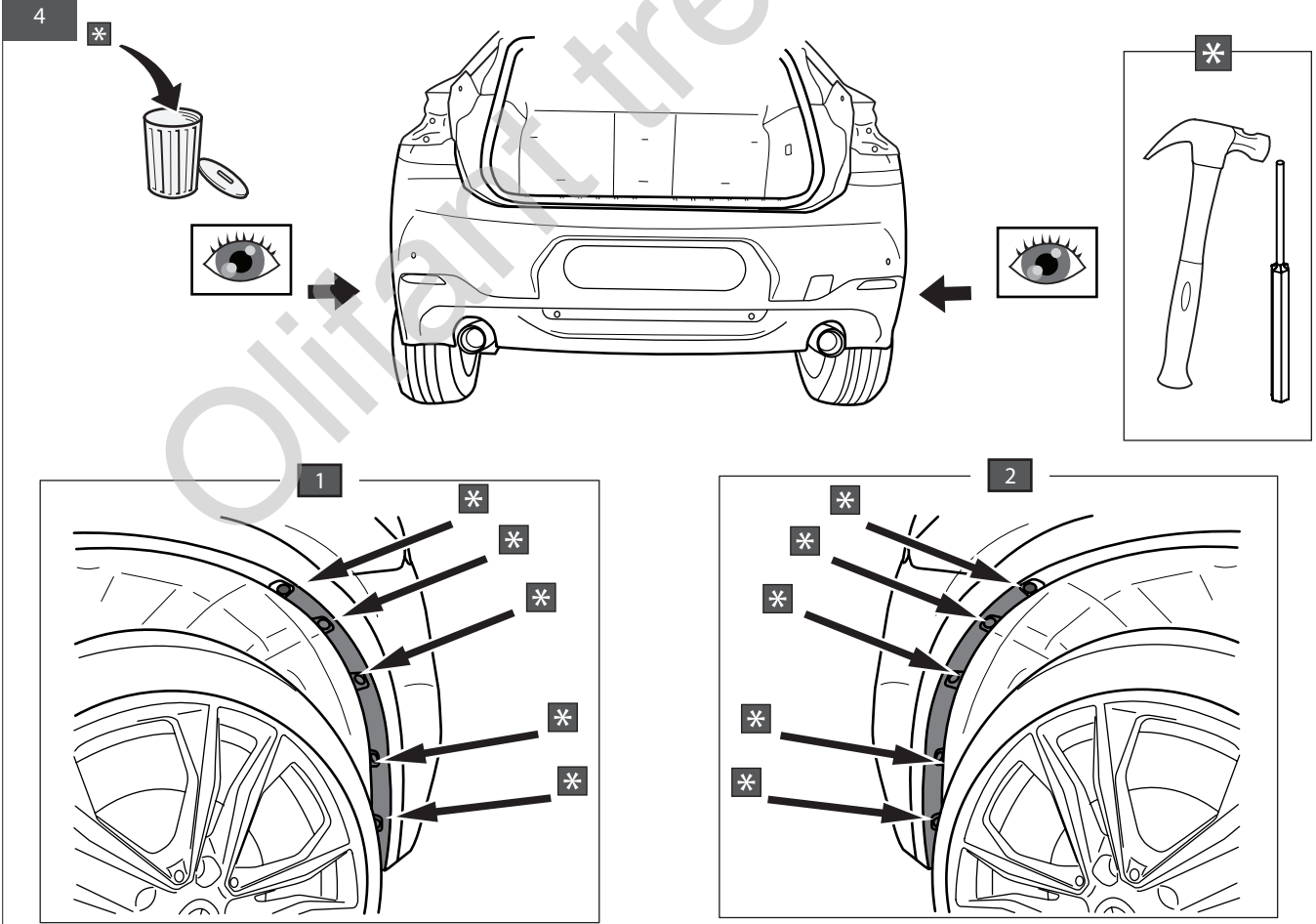
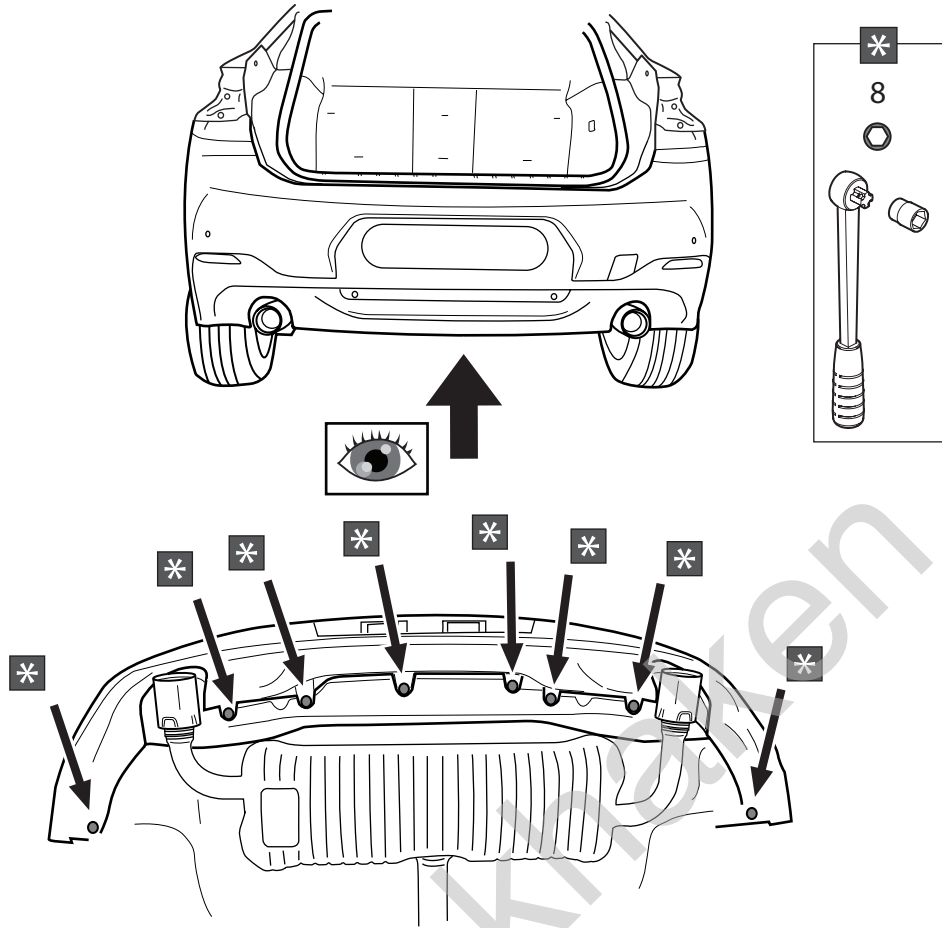
Geleverd met - Livré avec - Delivered with Gefiefert mit - Elementos adjuntos-Leveres med		X1	GDW REF. 960.V0610
	↳ 	X1	GDW REF. 740.200
		X1	GDW REF. 912.003
	↳ 	X1	GDW REF. 740.112
	↳ 	X1	GDW REF. 740.111
		X1	GDW REF. 740.114
		X1	GDW REF. 718.15.001
		X1	GDW REF. SY5T60-10
	↳ 	X3	DIN931-M12X110-8.8
	↳ 	X3	DIN128A-M12
	↳ 	X6	DIN125A-M12
	↳ 	X3	DIN934-M12

1

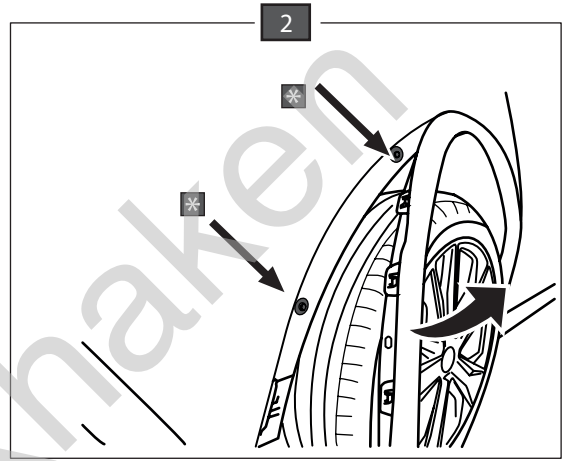
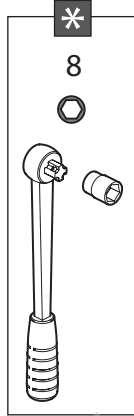
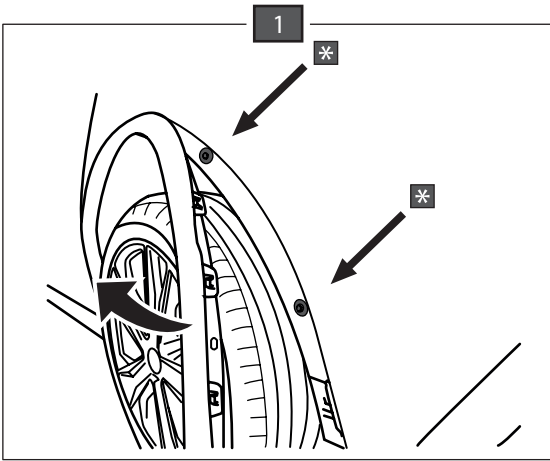
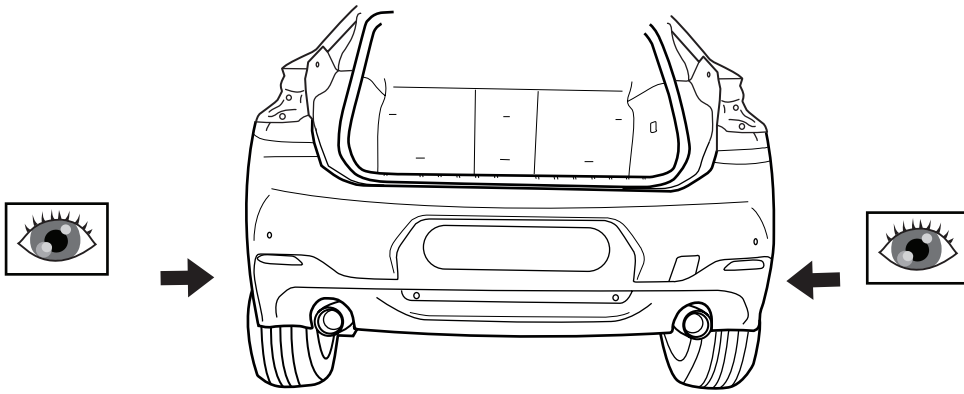


2

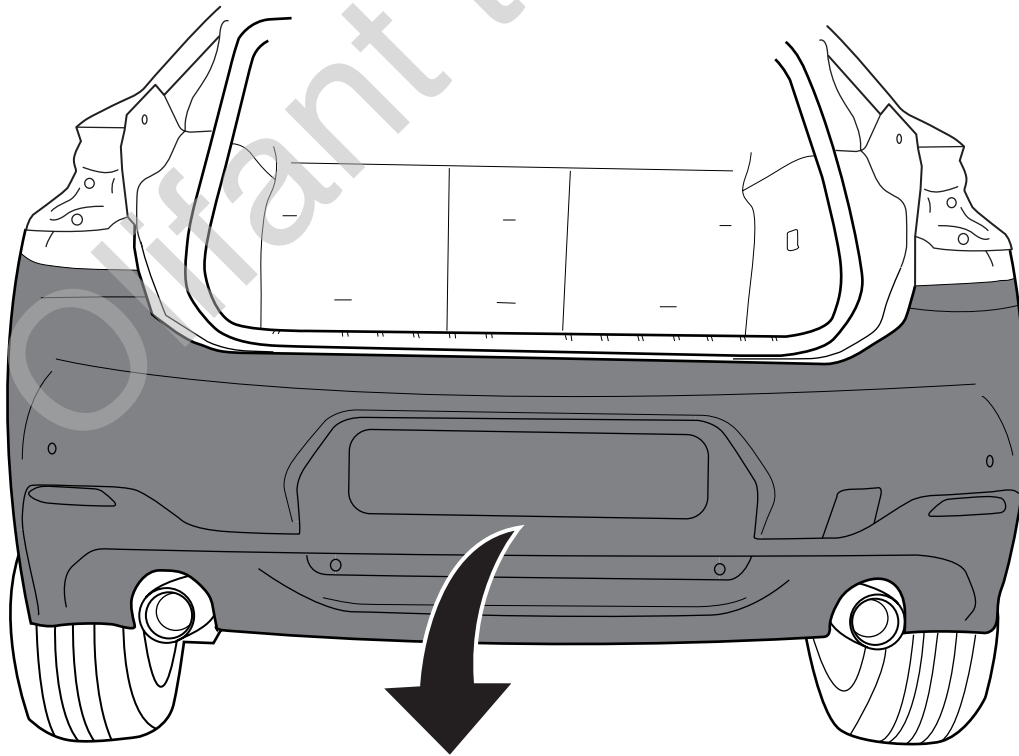




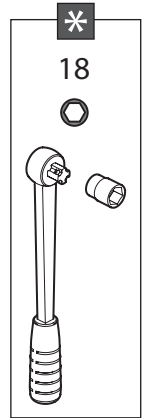
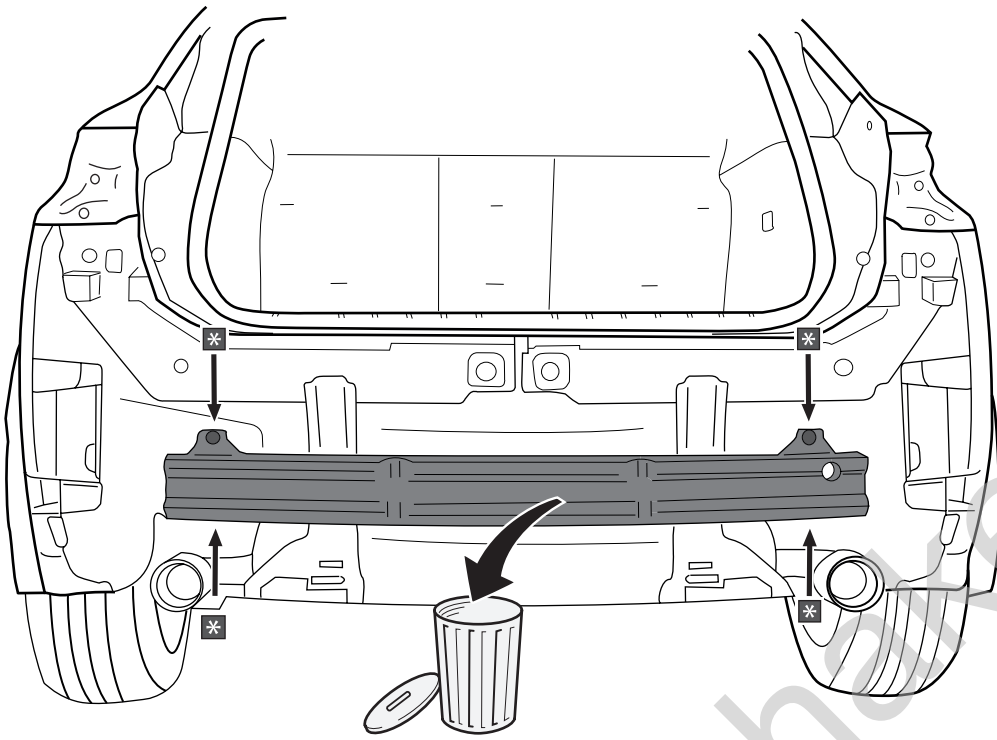
5



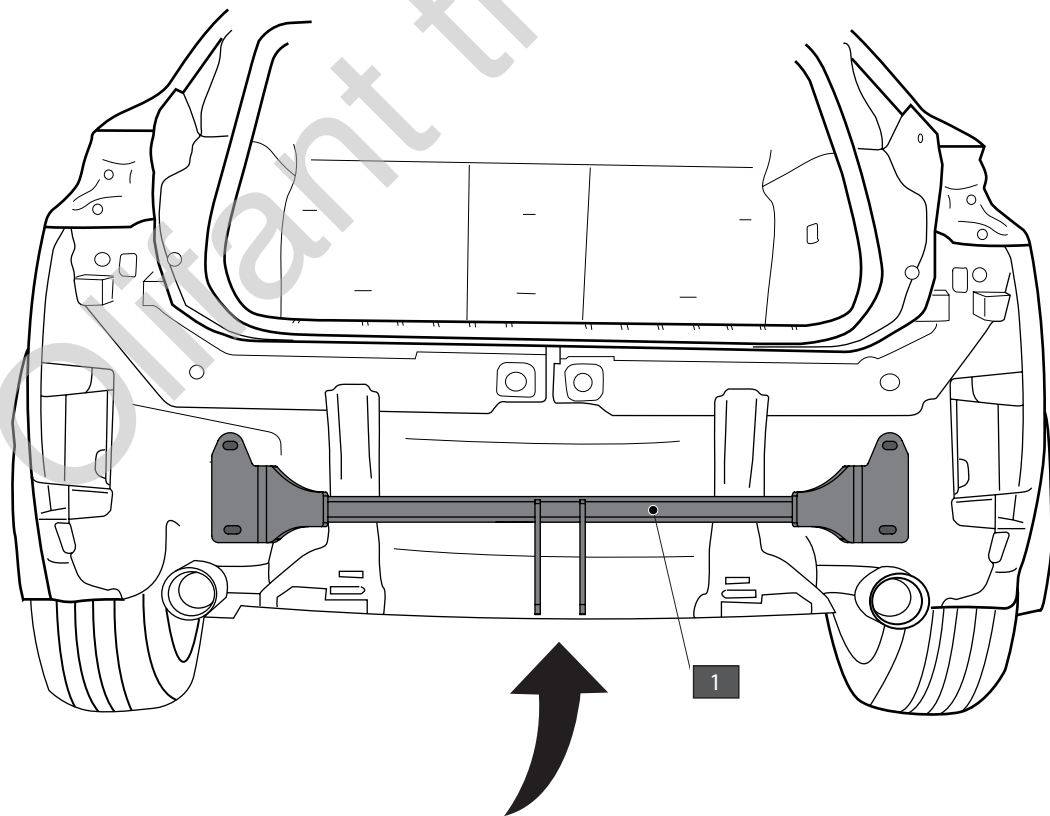
6

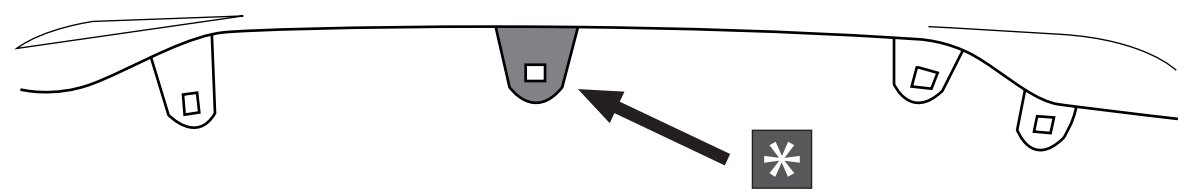
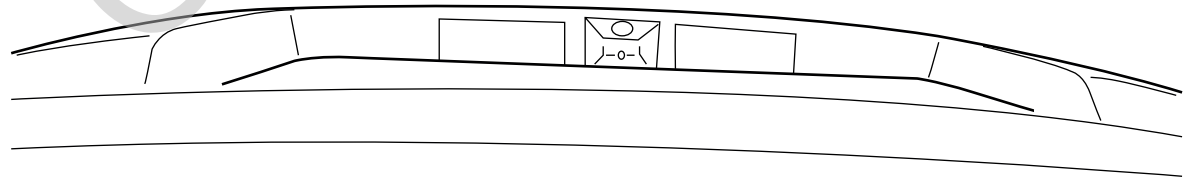
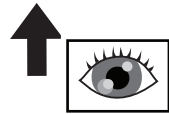
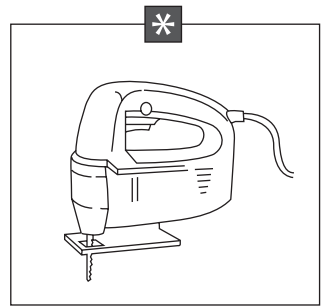
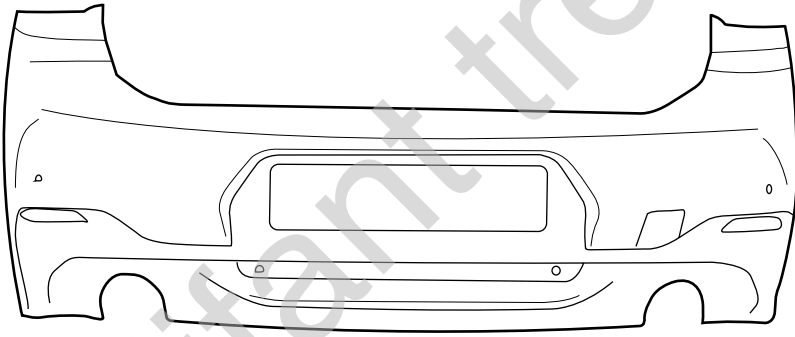
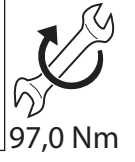
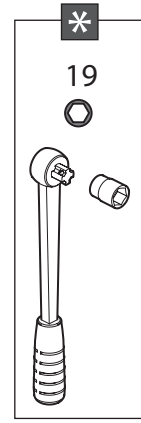
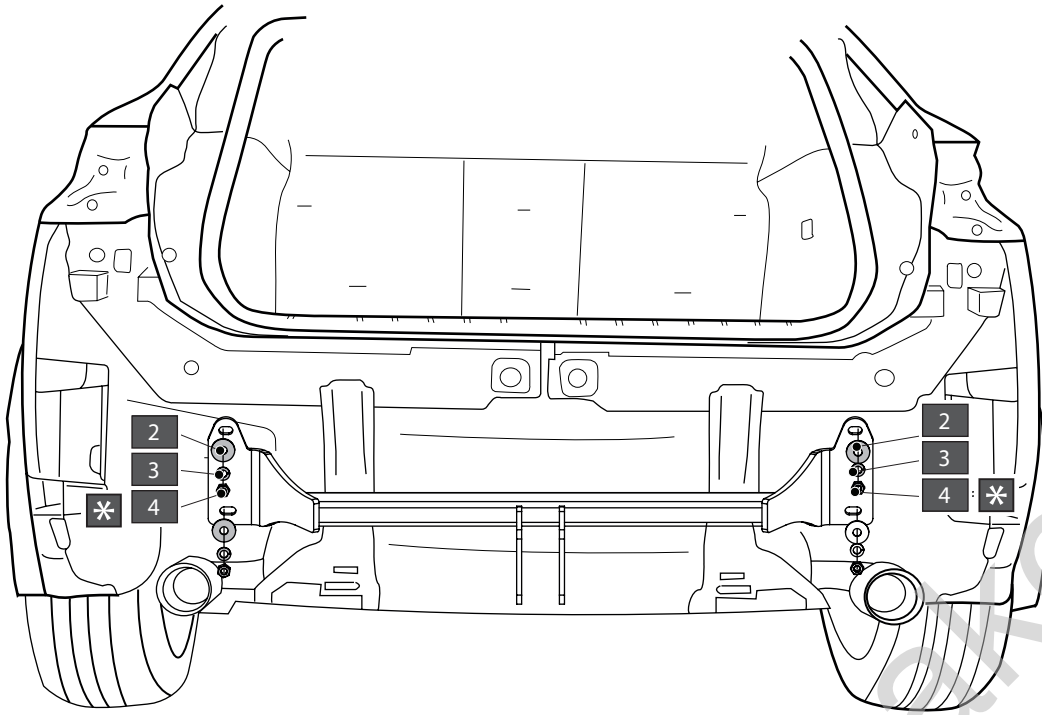


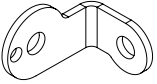




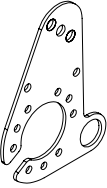

7

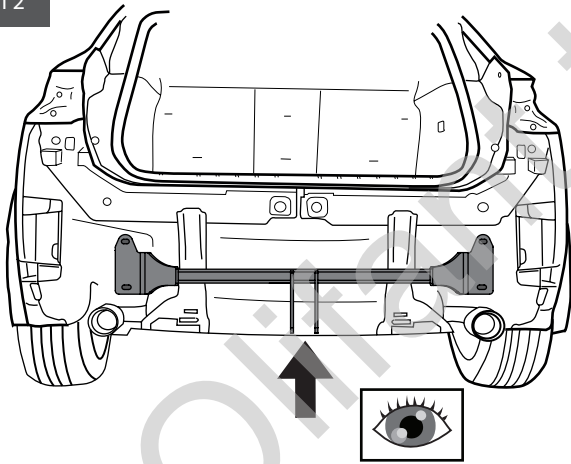
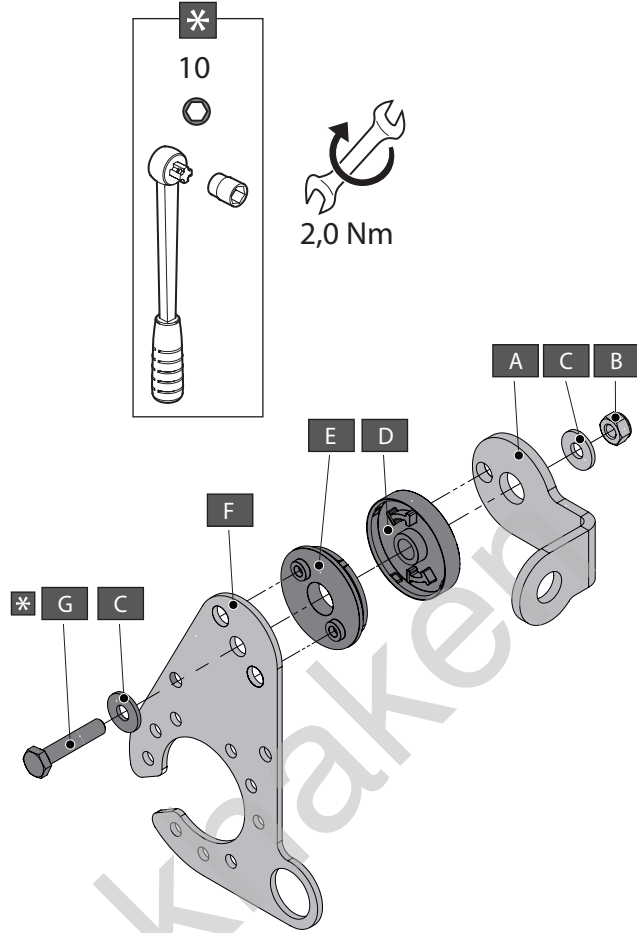


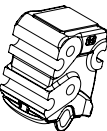



8

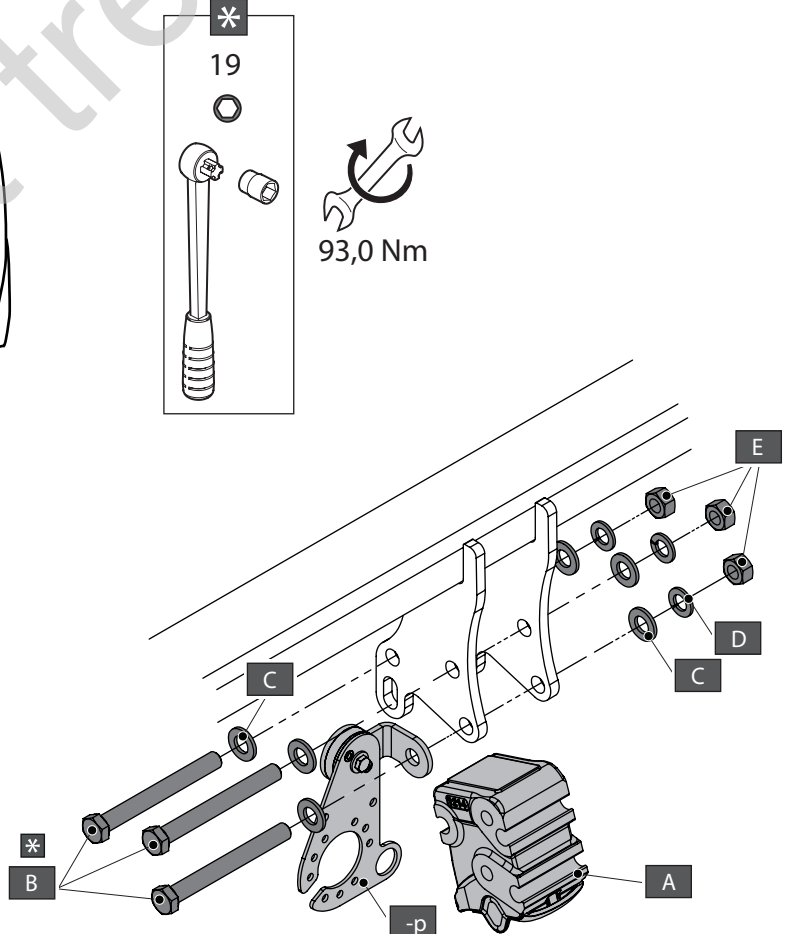


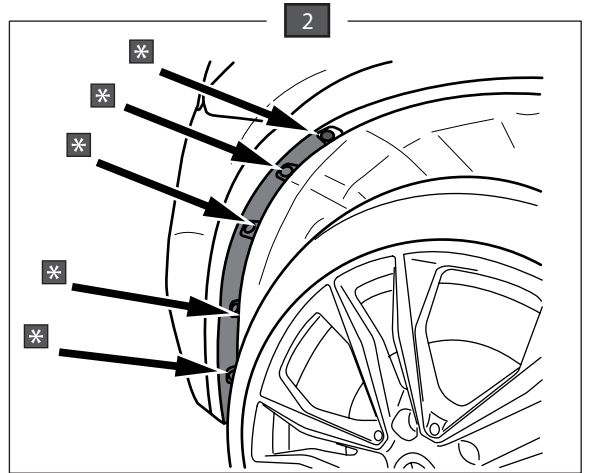
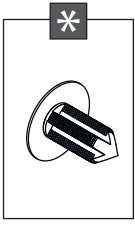
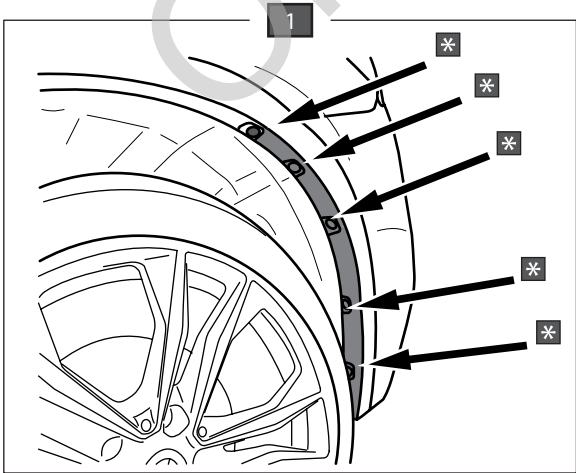
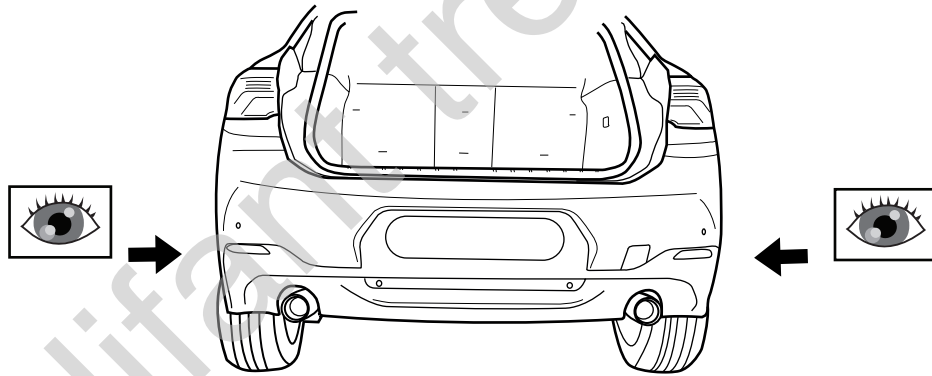
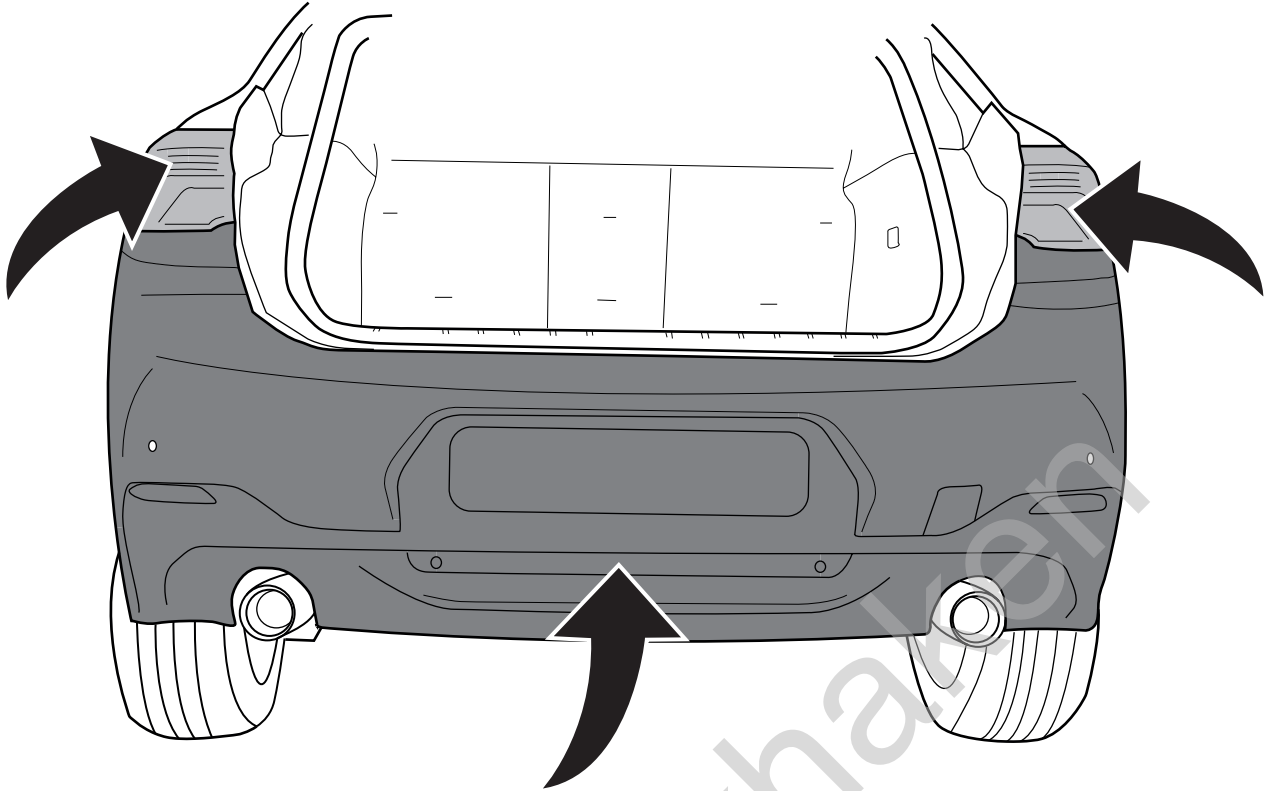


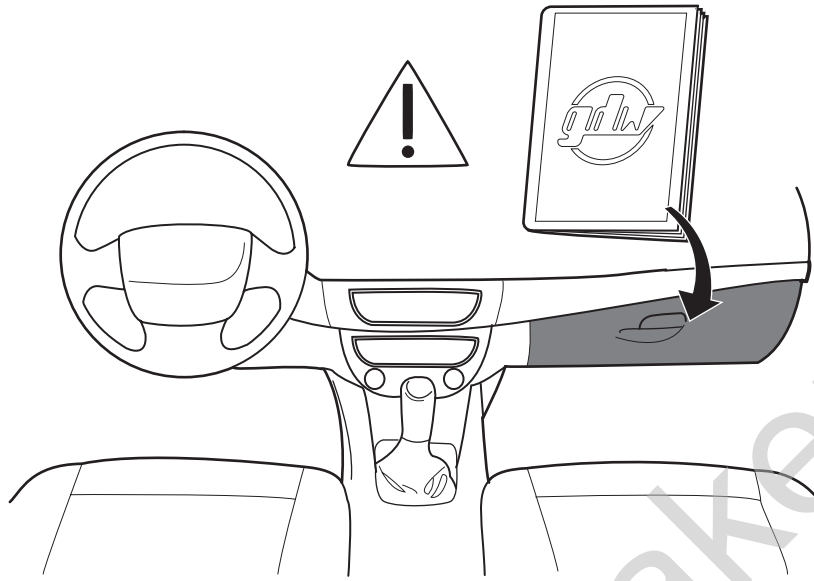
A		X1	GDW REF. 908.097
B		X1	DIN985-M6
C		X2	6,2 X 15,4 X 1,6 (NYLON)
D		X1	GDW REF. 718.16.002
E		X1	GDW REF. 718.16.003
F		X1	GDW REF. 908.094
G		X1	DIN933-M6 X 30



A		X1	912.003
B		X3	DIN931-M12X110
C		X6	DIN125A-M12
D		X3	DIN128A-M12
E		X3	DIN934-M12







Olifant trekhaken