



TREKHAKEN • ATTELAGES • ANHÄNGERVORRICHTUNGEN • TOWBARS • ENHANCES • ANHÆNGERTRÆK

Montagehandleiding | instructions de montage | Einbauanleitung | Mounting instruction  
Instrucciones de montaje | monteringsvejledning

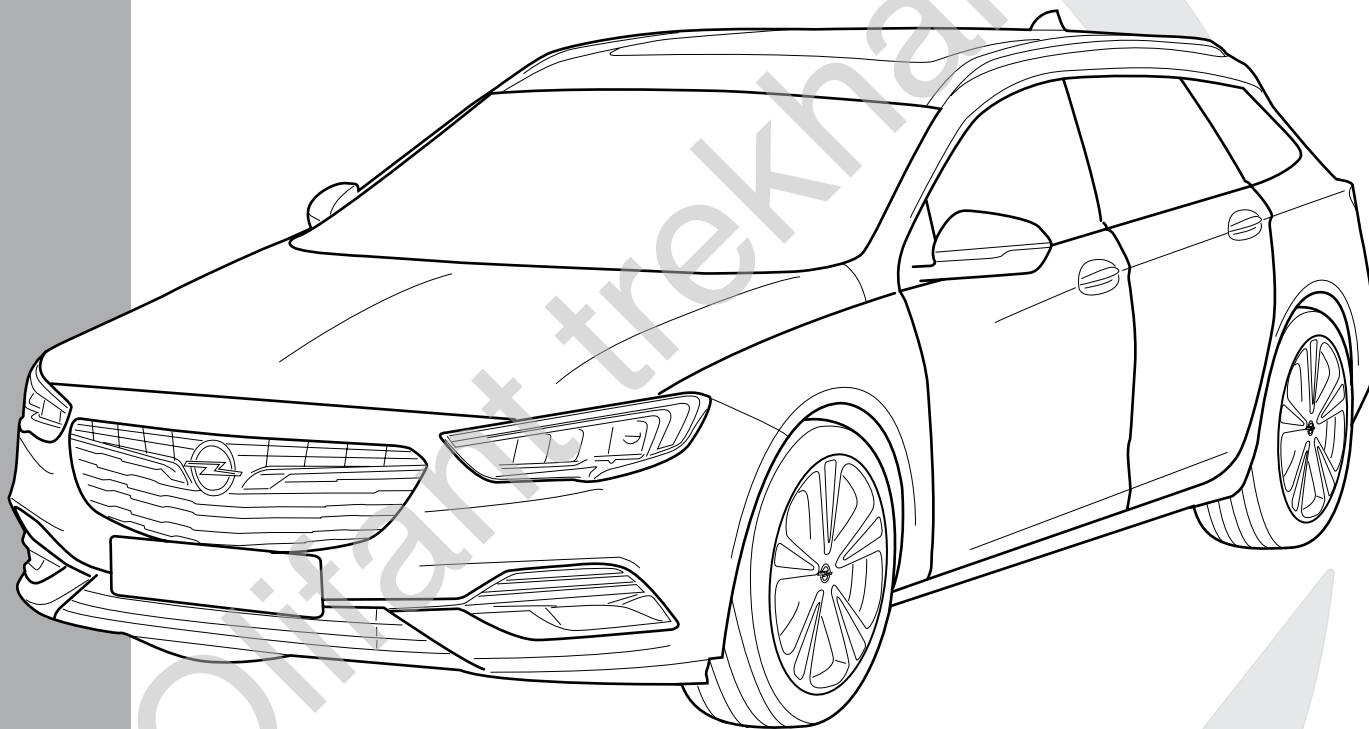


# Opel Insignia Sports Tourer


03/'17-

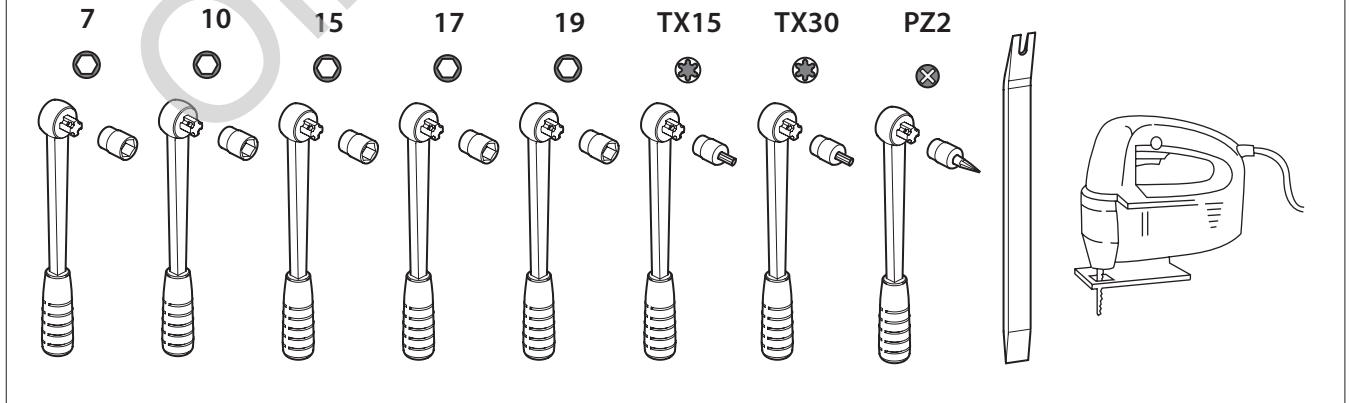
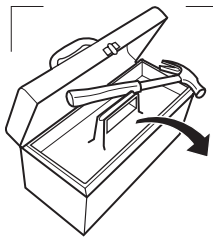
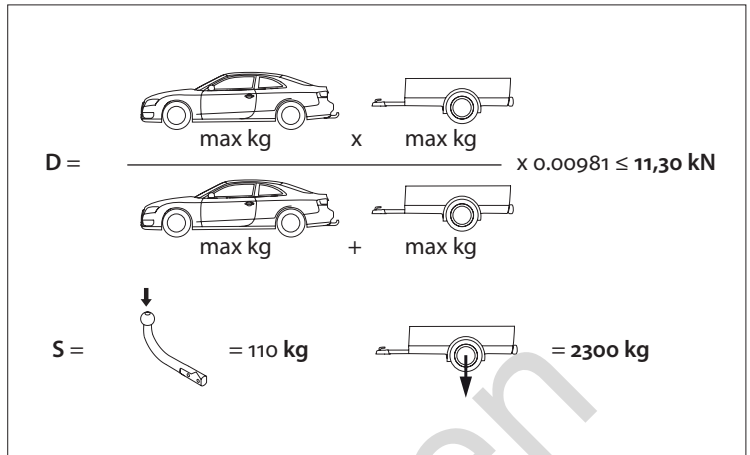
+ Facelift

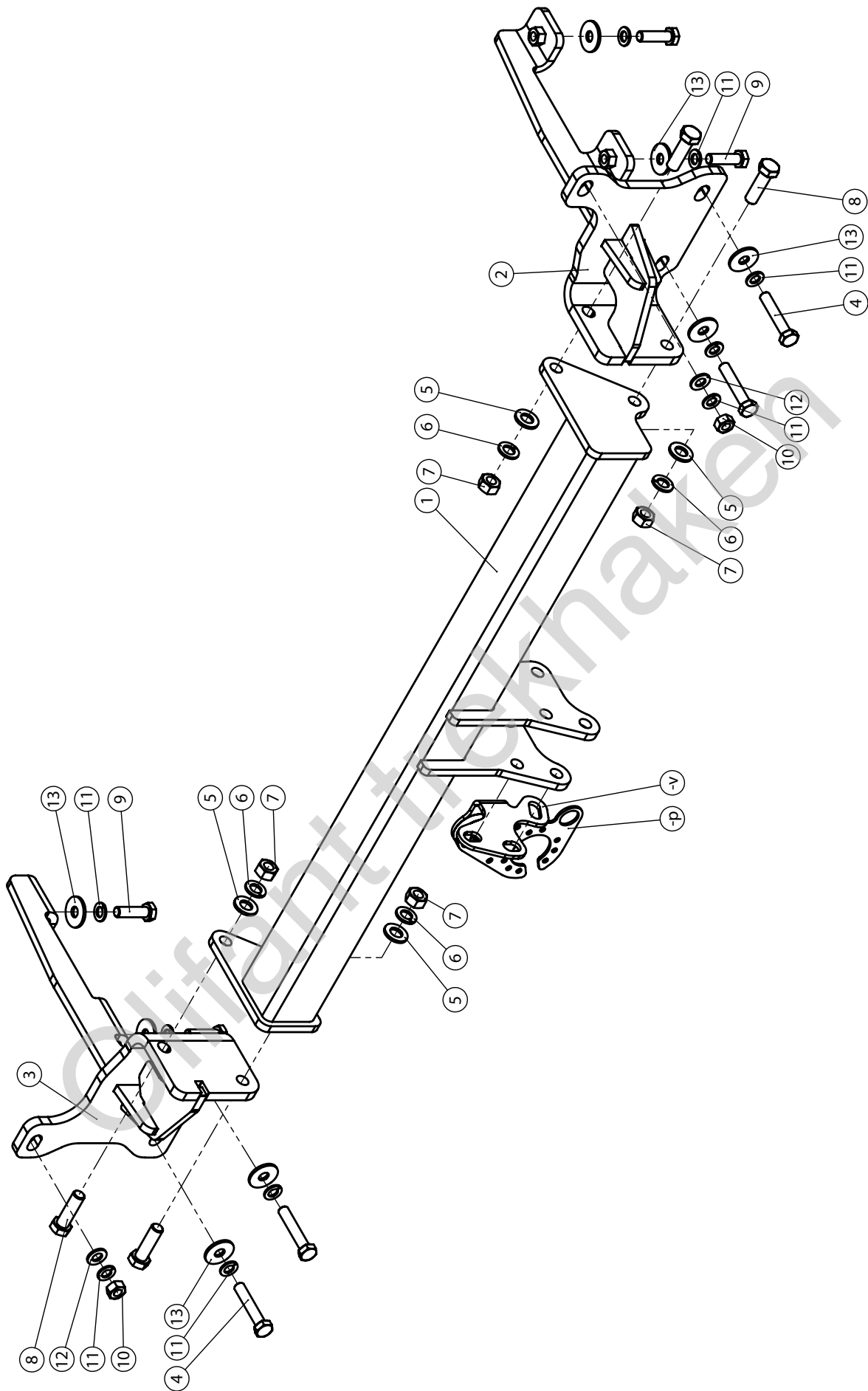
04/'20-

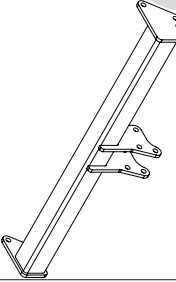
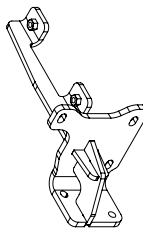
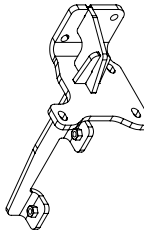







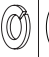

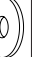
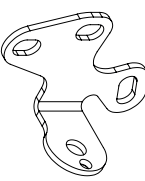


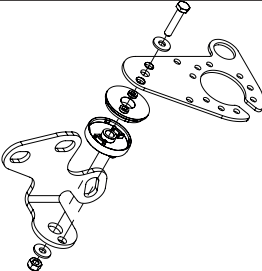
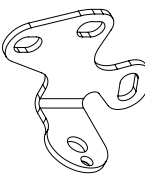




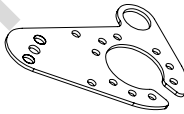

See the Certificate Of Conformity (COC) of your vehicle or contact your dealer to verify the max. trailer weight of your car!

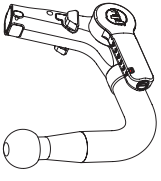

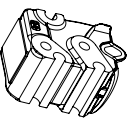


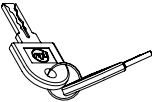

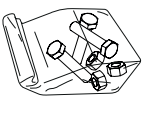



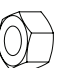
MADE BY	D 11,30	F	E6
			
BELGIUM	S 110	EC APPROVAL N°	
		55R*011426	
REF N°	SERIE N°		
2267T60			
OMSCHRIJVING			
Opel Insignia Sports Tourer '17-			



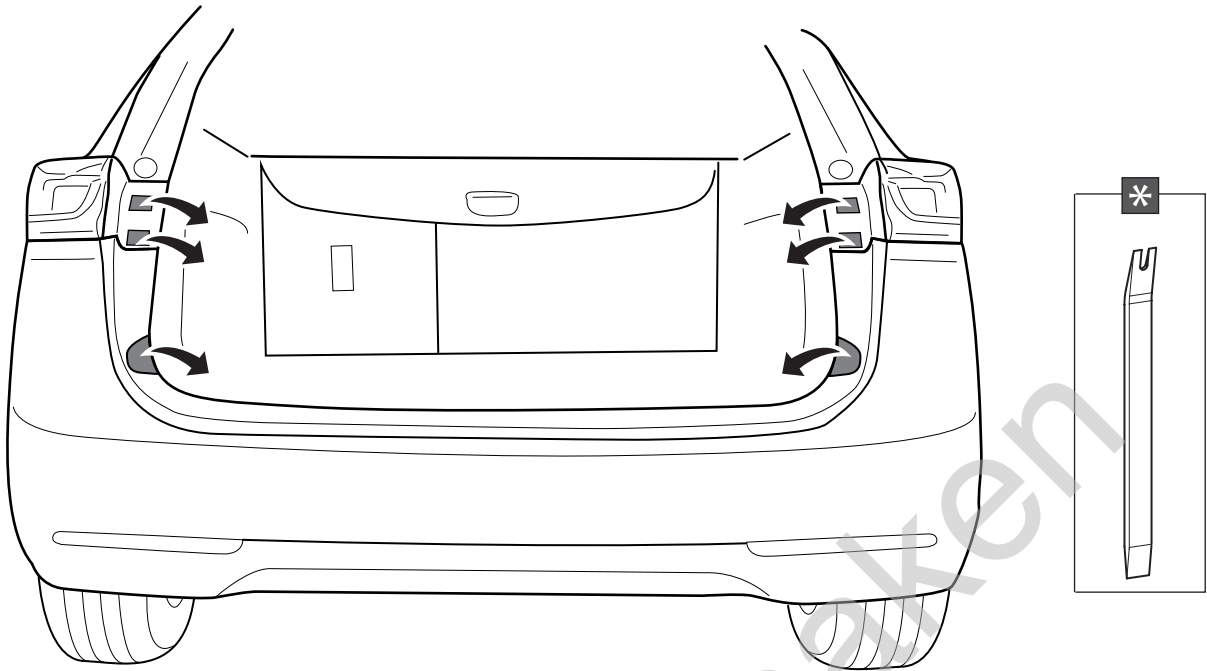


1		X1	GDW REF. 2267160
2		X1	GDW REF. 2
3		X1	GDW REF. 3
4		X4	DIN 933-M10x55
5		X4	DIN125-A12-140HV- ELVZ
6		X4	DIN 128A-M12
7		X4	DIN 934-M12
8		X4	DIN 933-M12x40
9		X4	DIN 933-M10x35
10		X2	DIN 934-M10
11		X10	DIN 128A-M10
12		X2	DIN125-A10-140HV- ELVZ
13		X8	DIN9021-M10-ELVZ
-V		X1	GDW REF. 908.090

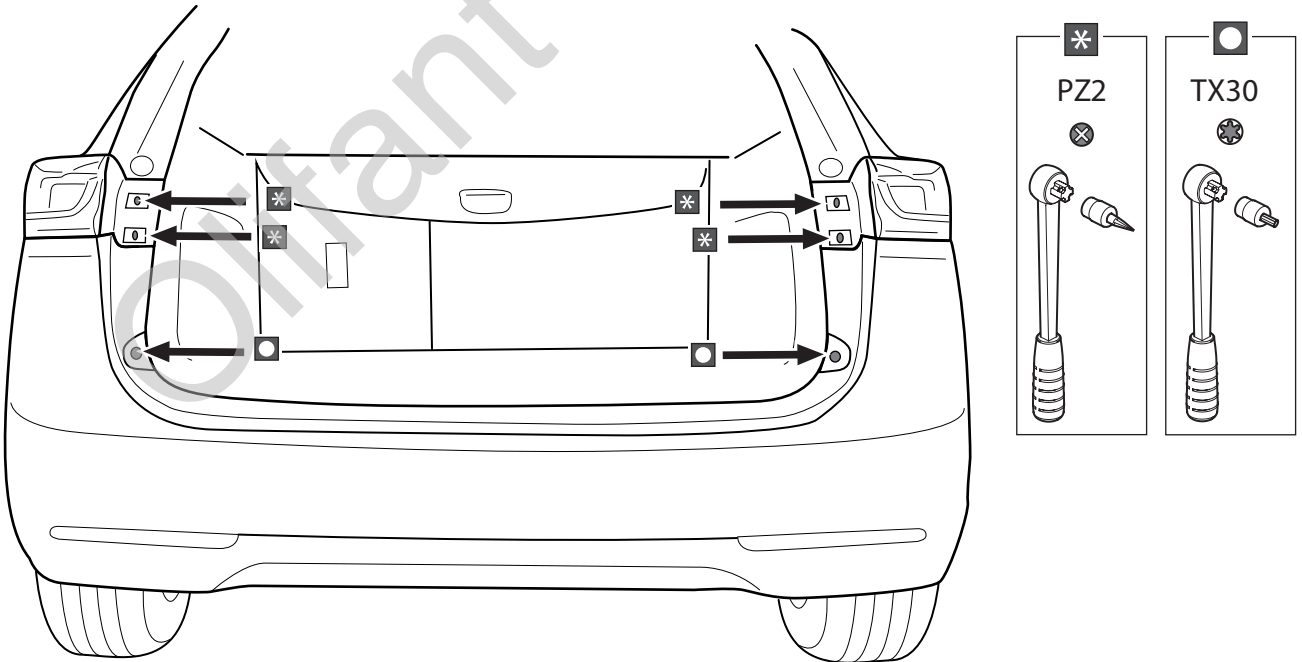
-P		X1	GDW REF. P34
↑		X1	GDW REF. 908.090
↑		X1	DIN985-M6
↑		X2	6,2 X 15,4 X 1,6 (NYLON)
↑		X1	GDW REF. 718.16.002
↑		X1	GDW REF. 718.16.003
↑		X1	GDW REF. 908.094
↑		X1	DIN933-M6 X 30

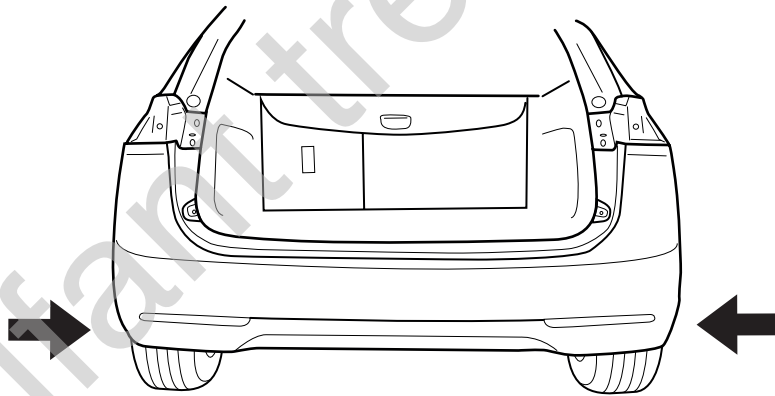
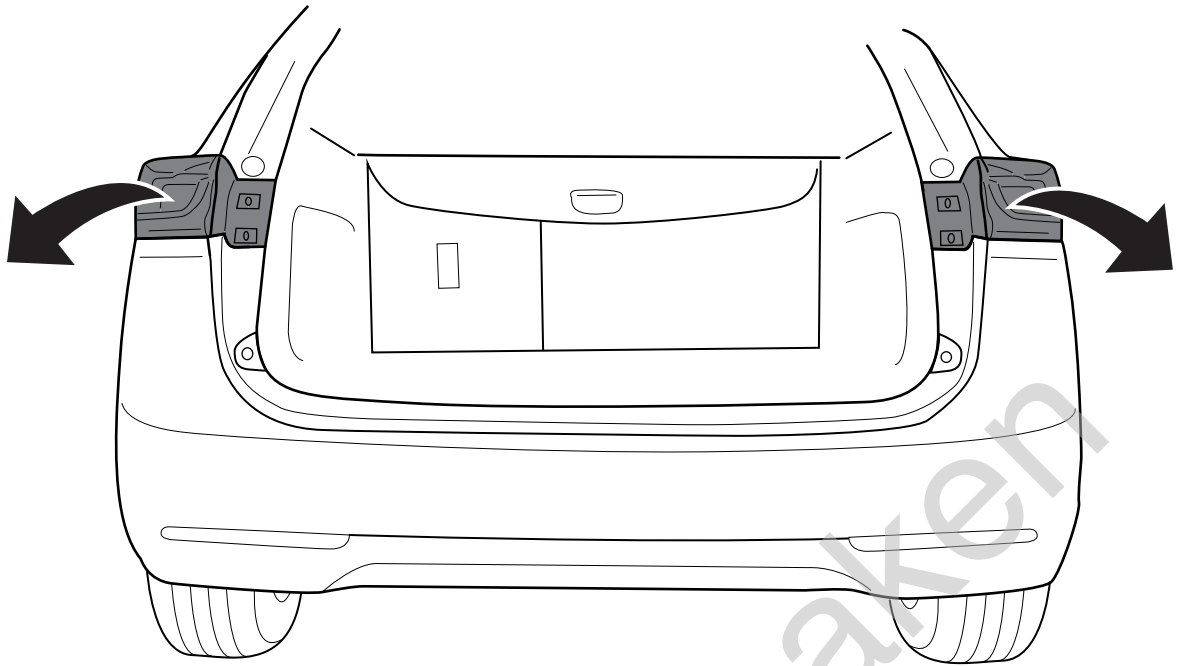
Geleverd met - Livré avec - Delivered with Geliefert mit - Elementos adjuntos-Leveres med		X1	GDW REF. 960.V1208
↑		X1	GDW REF. 740.200
↑		X1	GDW REF. 912.003
↑		X1	GDW REF. 740.112
↑		X1	GDW REF. 740.111
↑		X1	GDW REF. 740.114
↑		X1	GDW REF. 718.15.001
↑		X1	GDW REF. SYST60-10
↑		X3	DIN931-M12X110-8.8
↑		X3	DIN128A-M12
↑		X6	DIN125A-M12
↑		X3	DIN934-M12

1

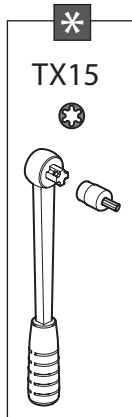
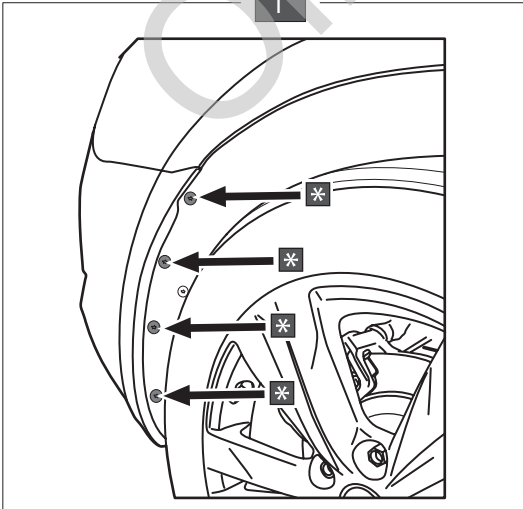


2

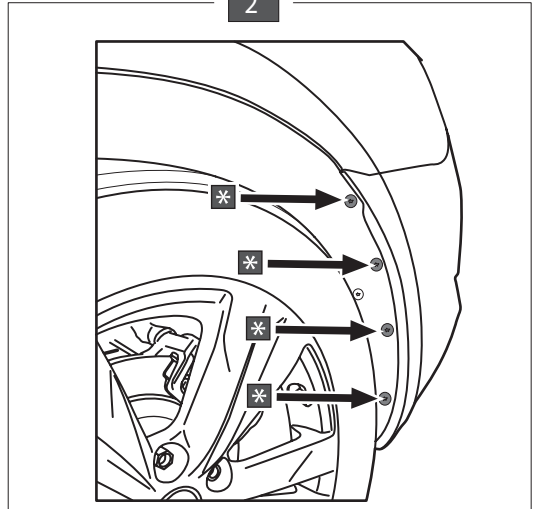


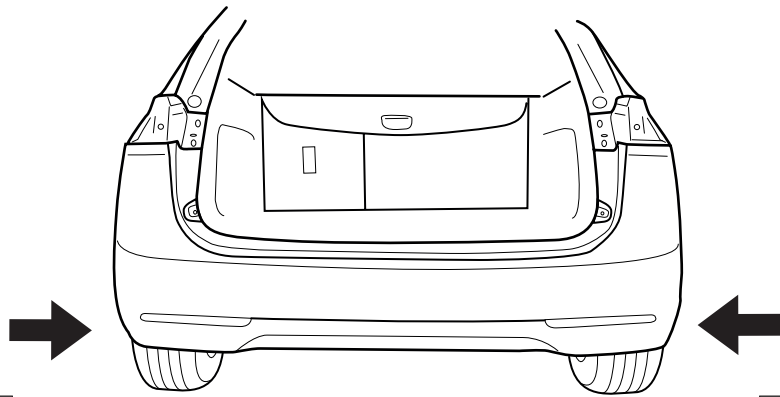


1

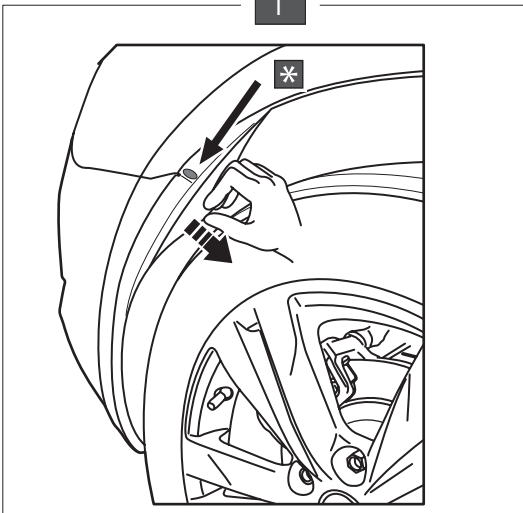


2

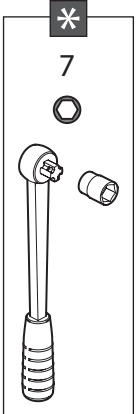
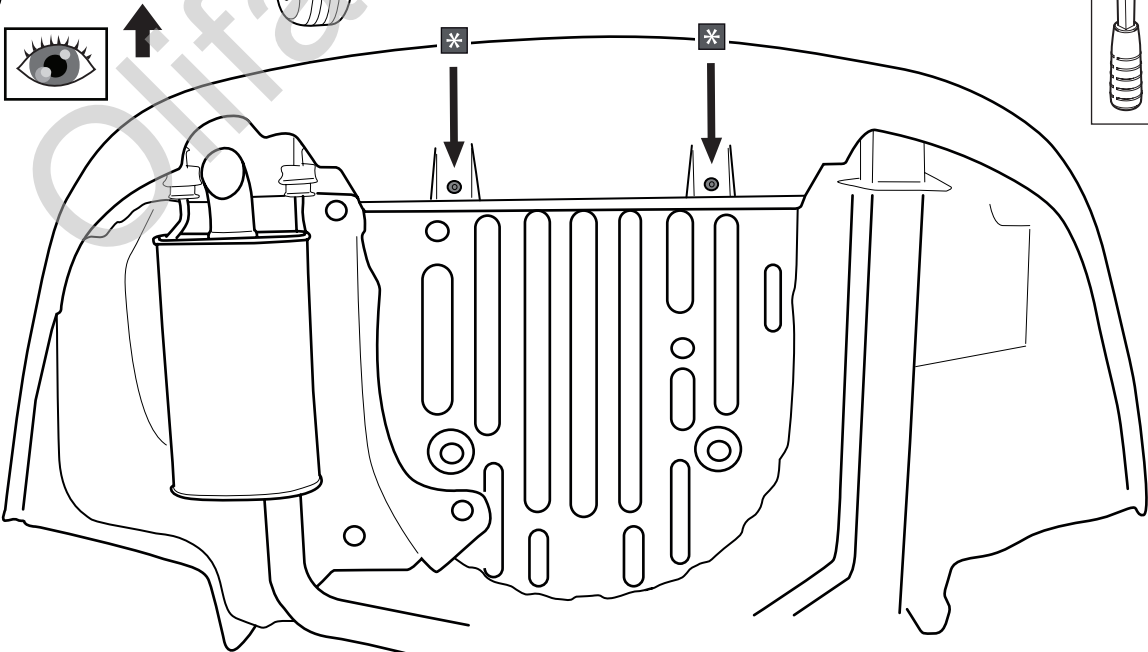
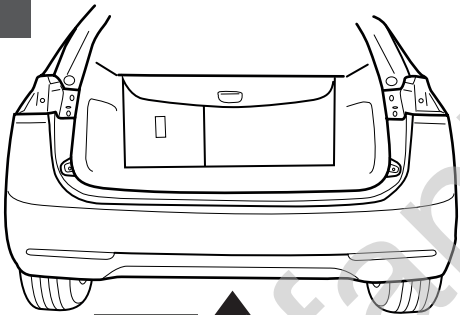
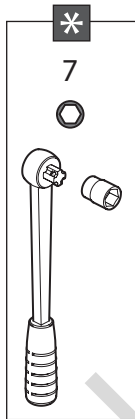
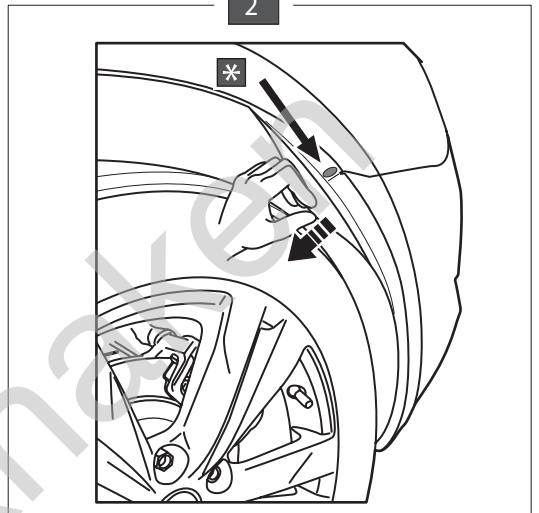


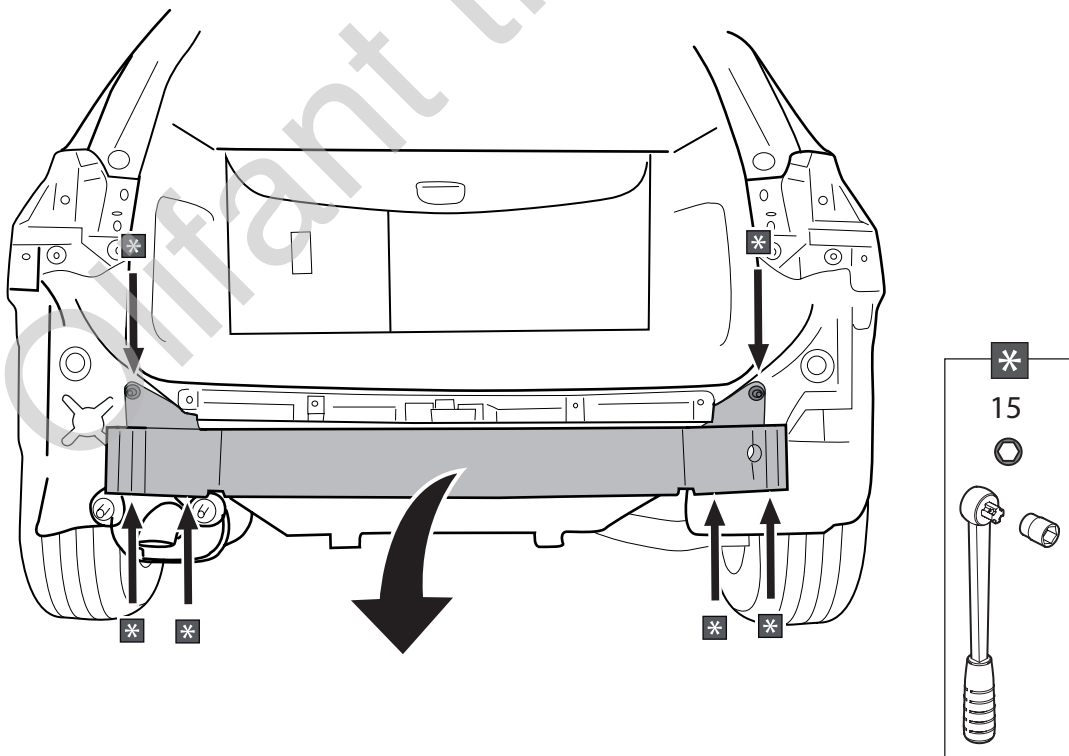
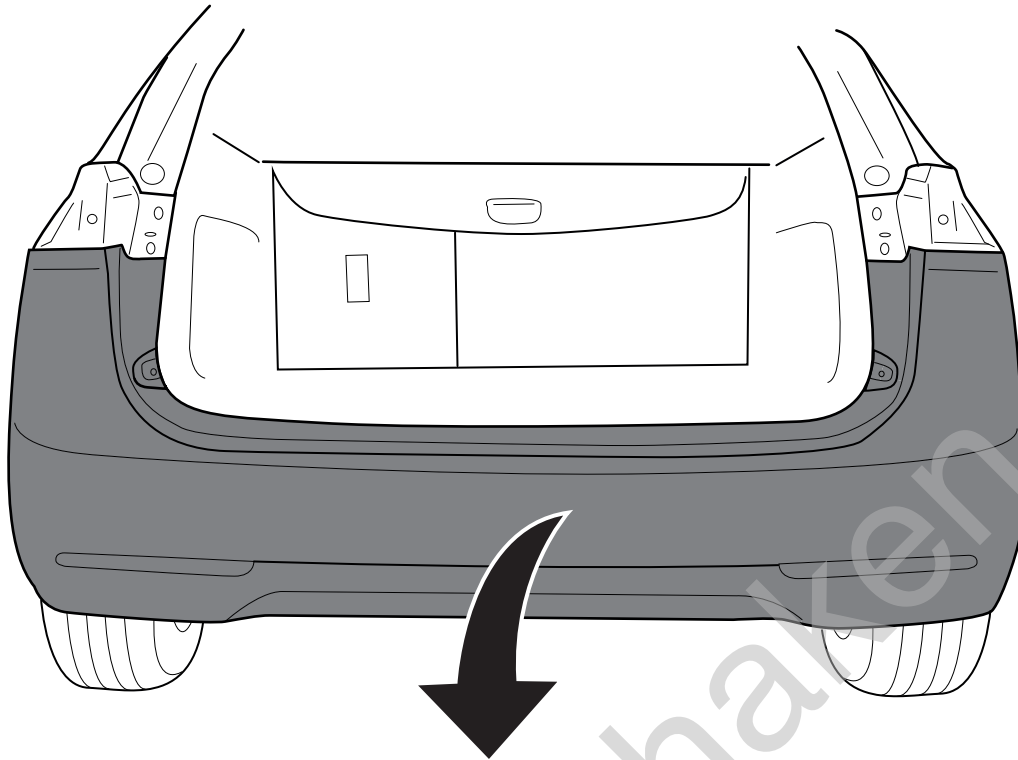


1

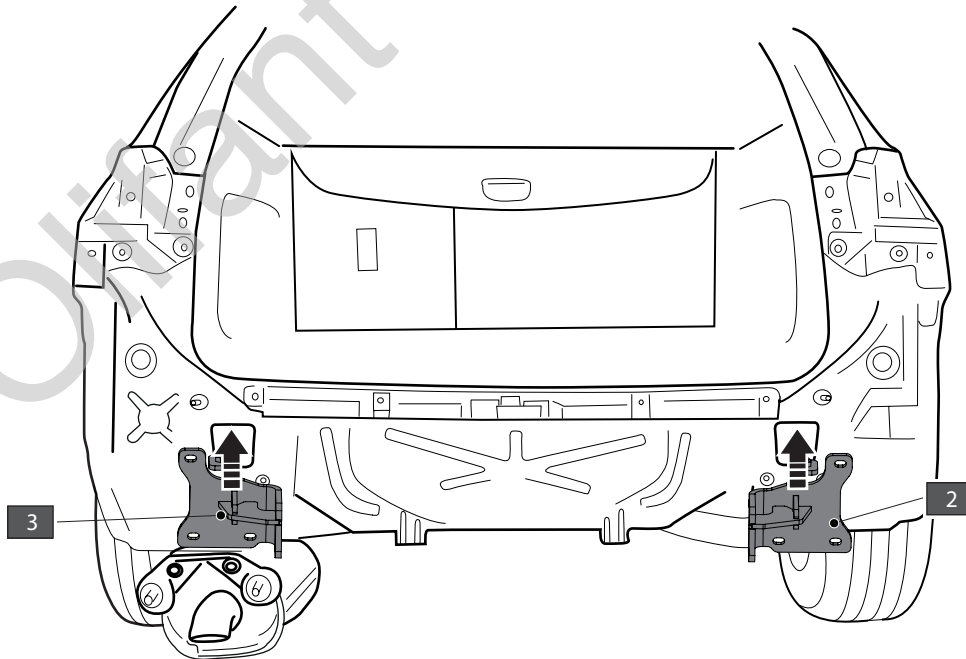
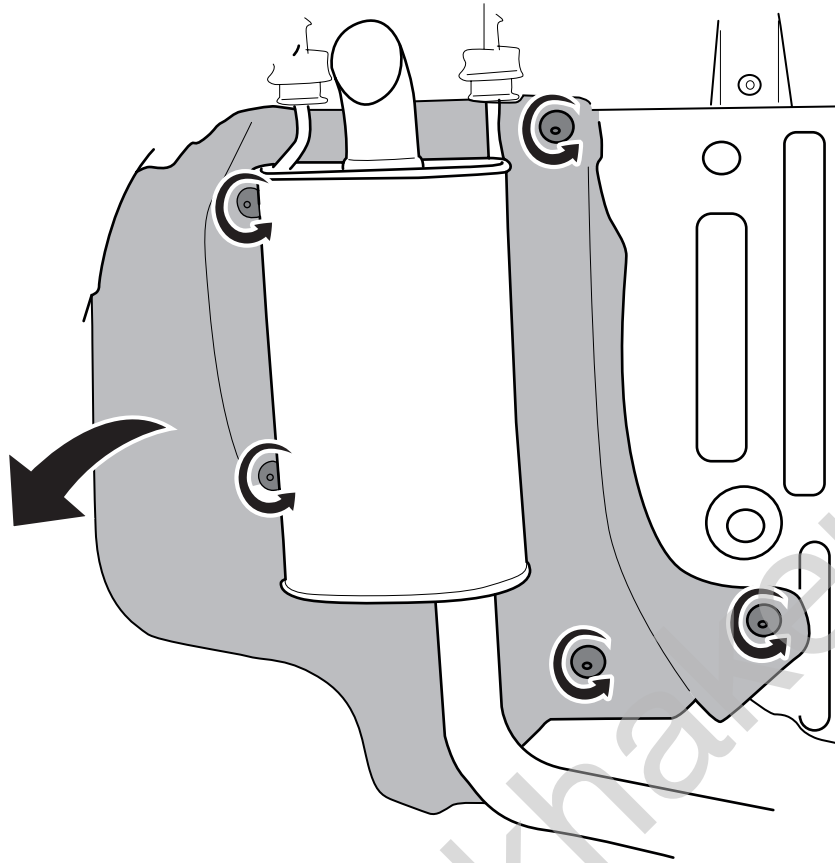


2

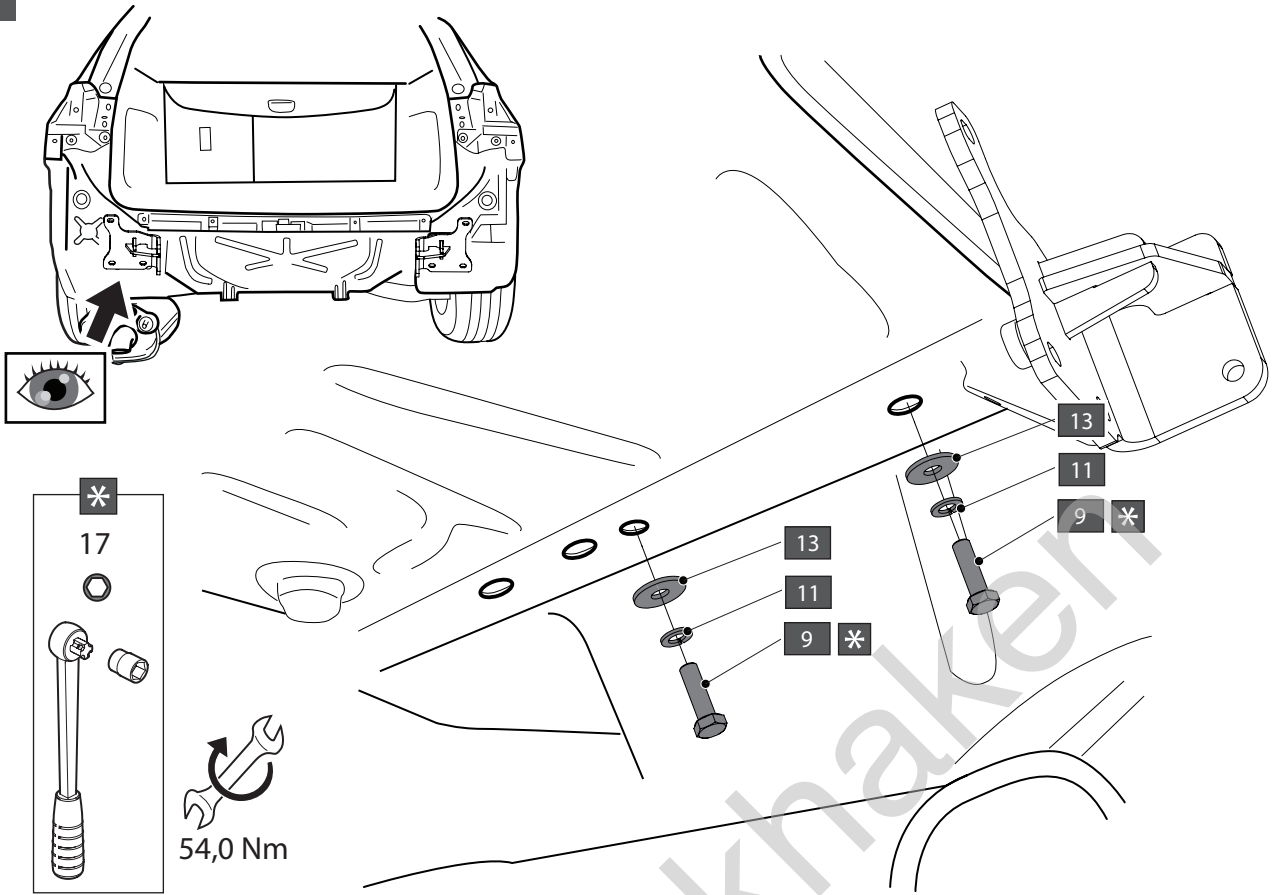




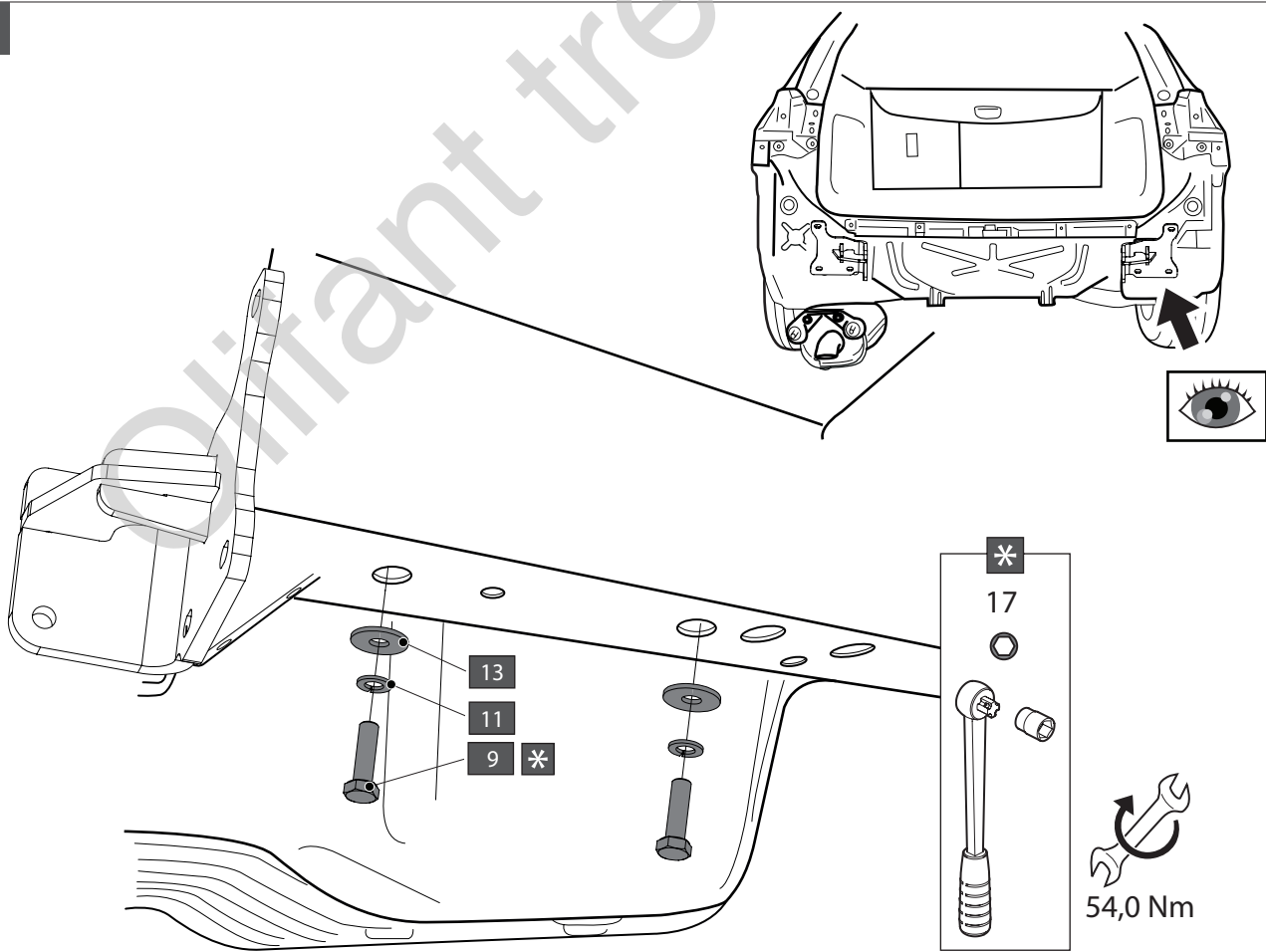


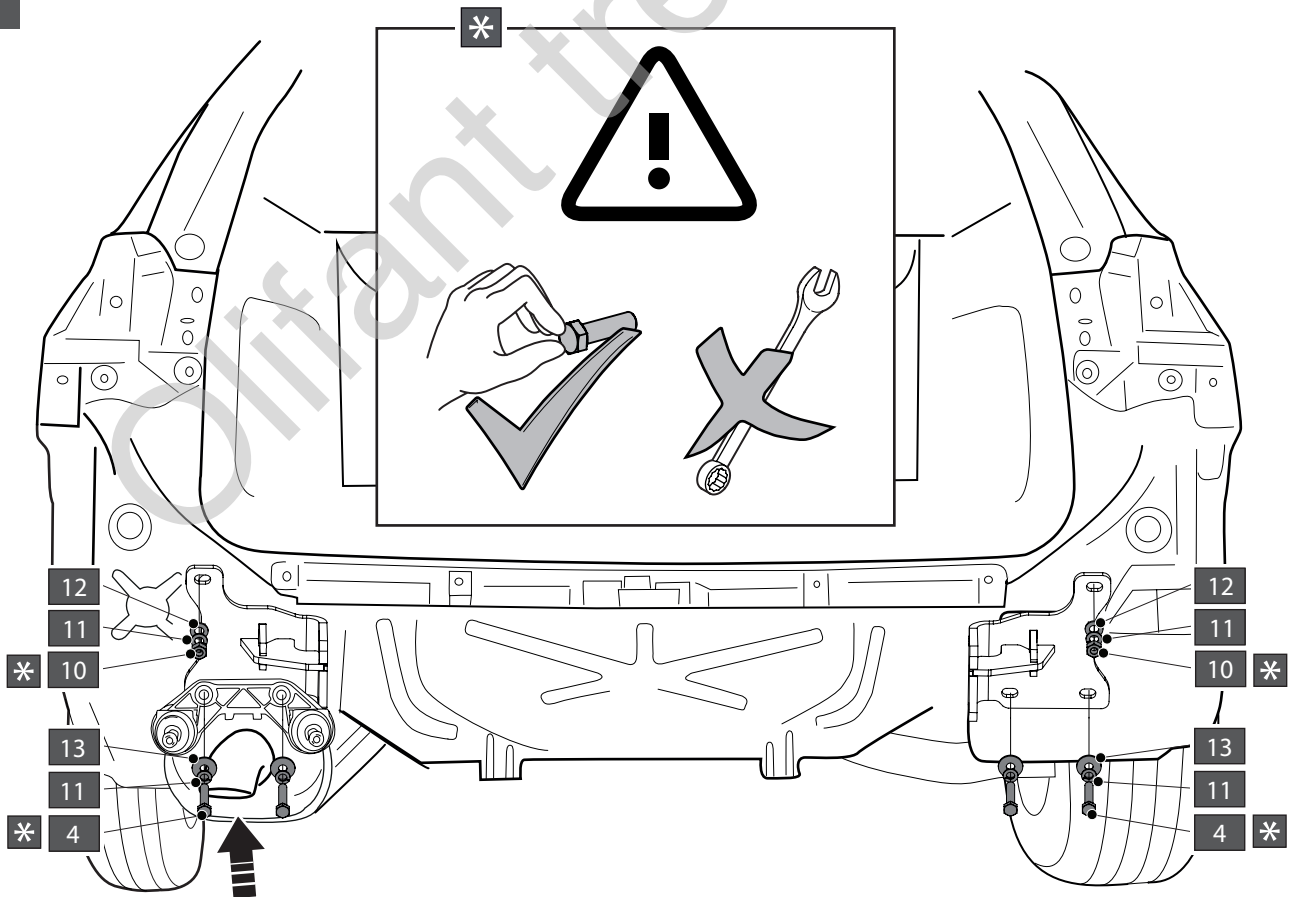
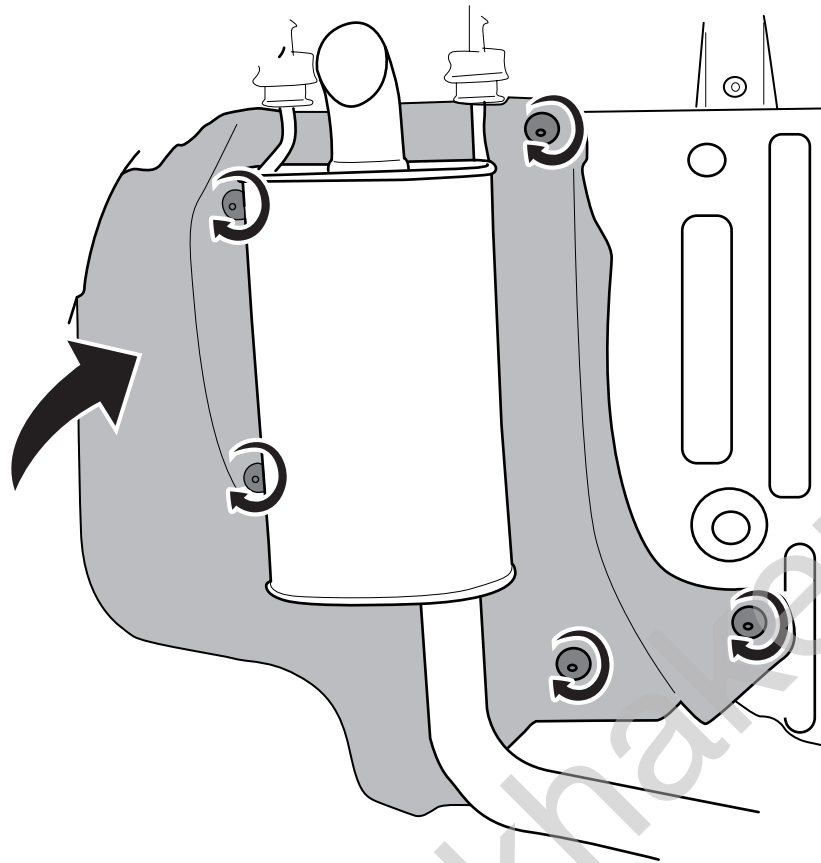


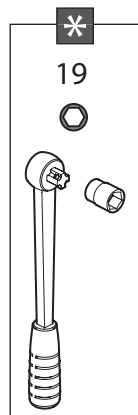
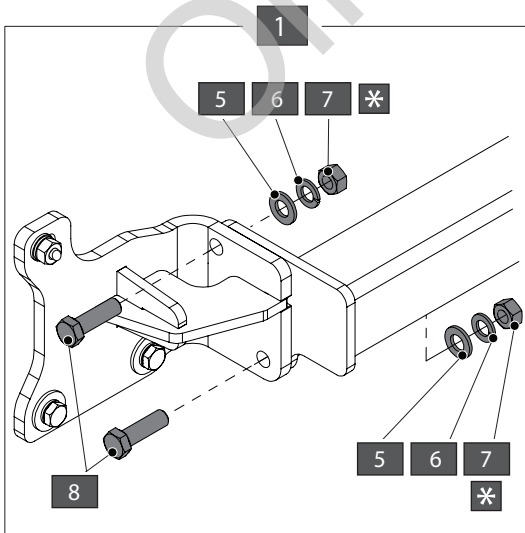
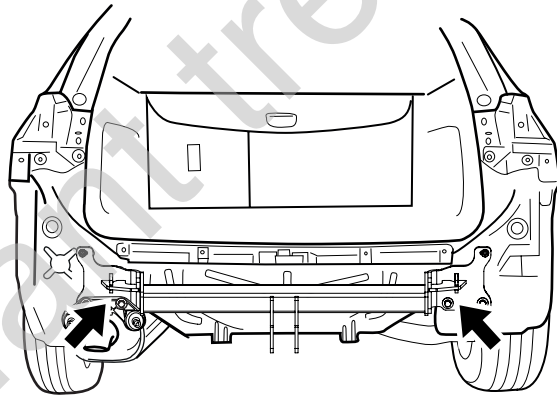
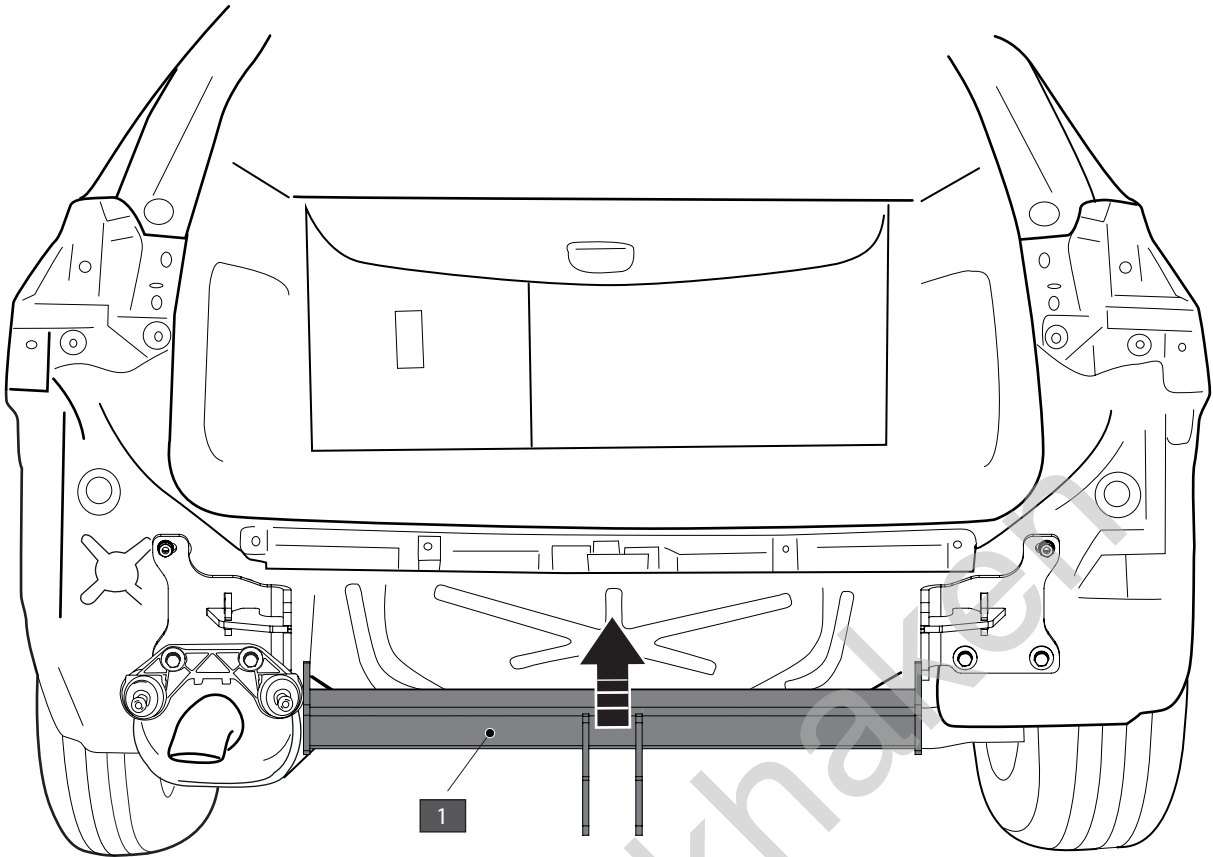
11



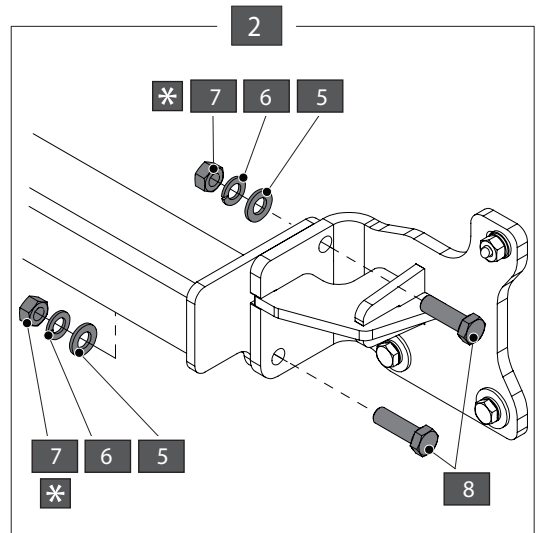
12

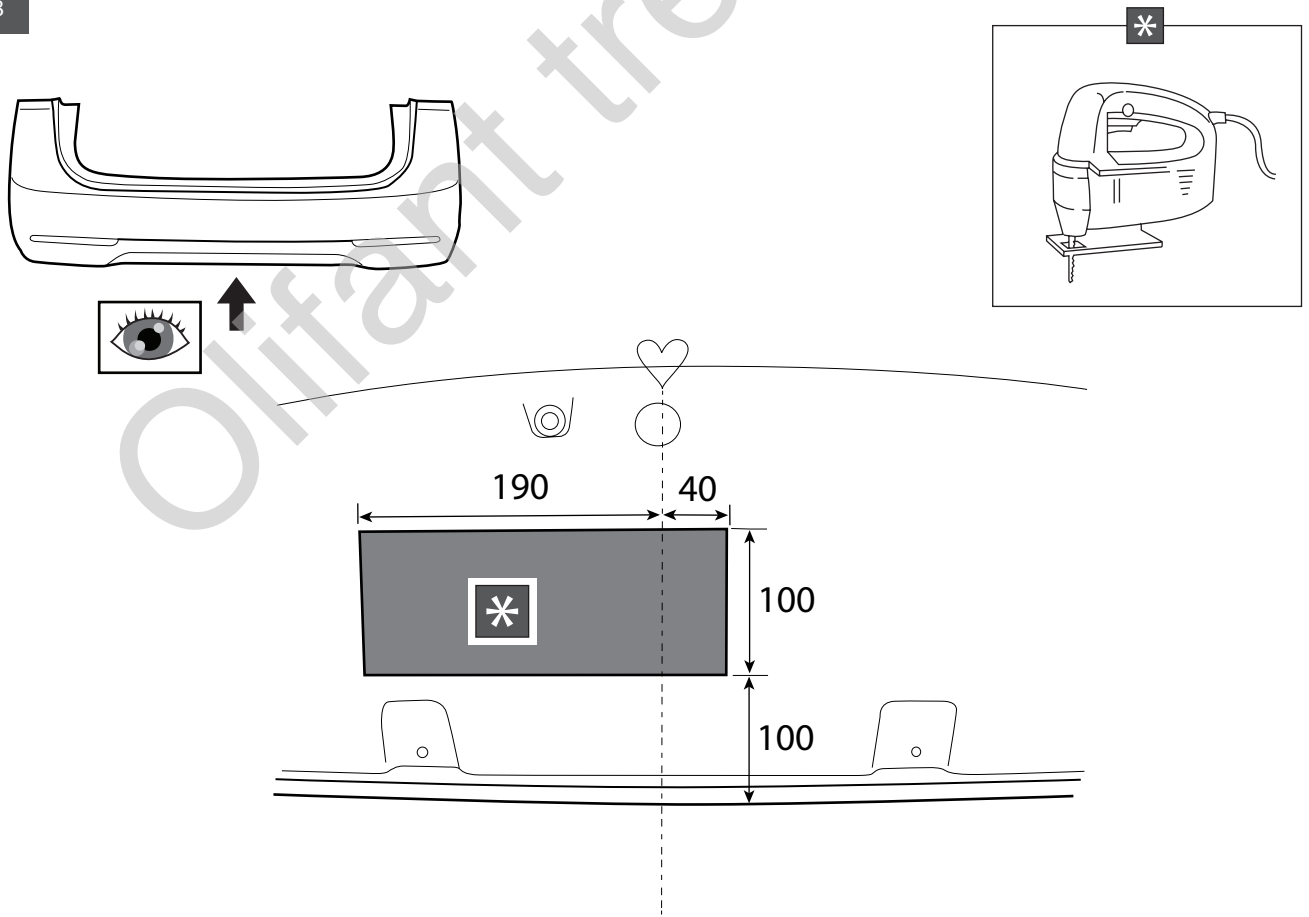
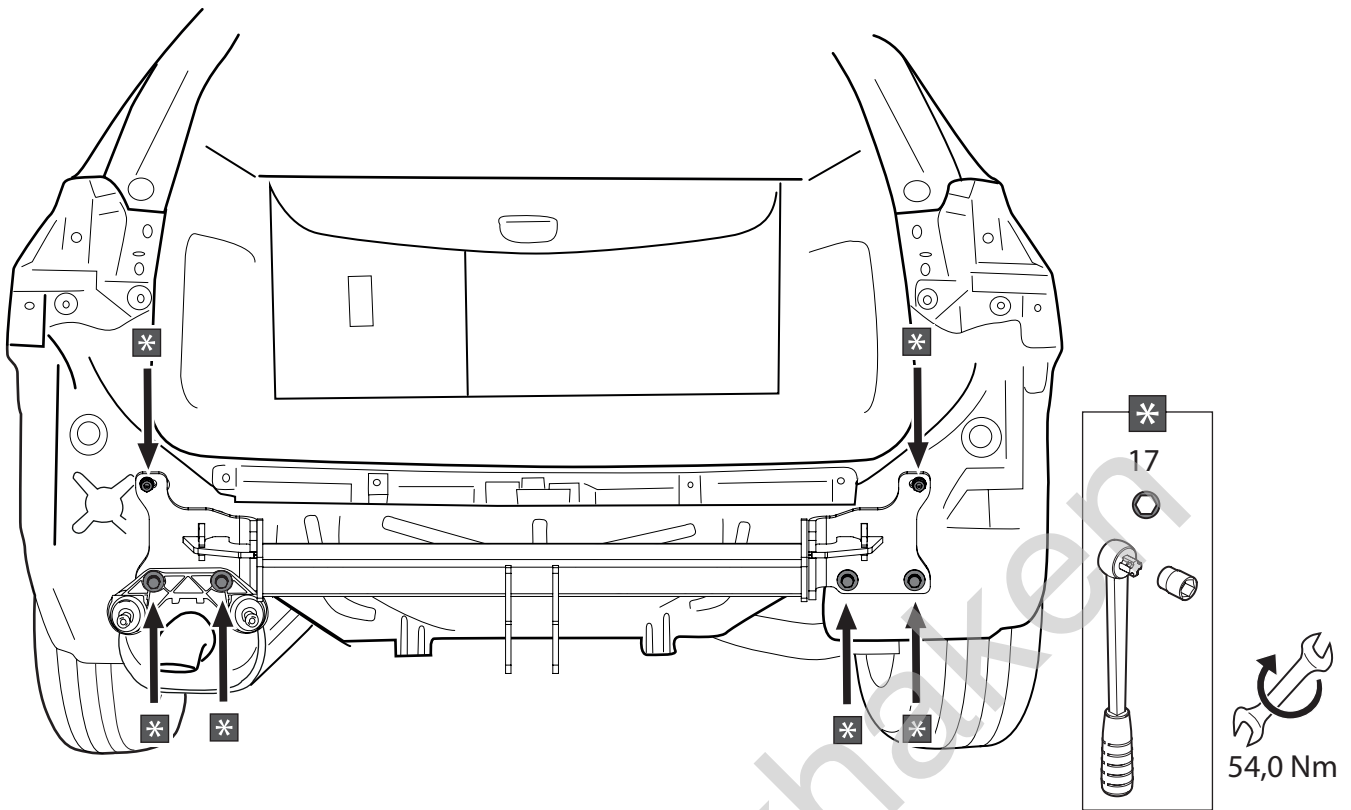


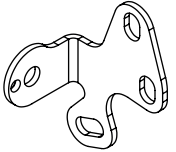




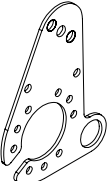
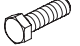


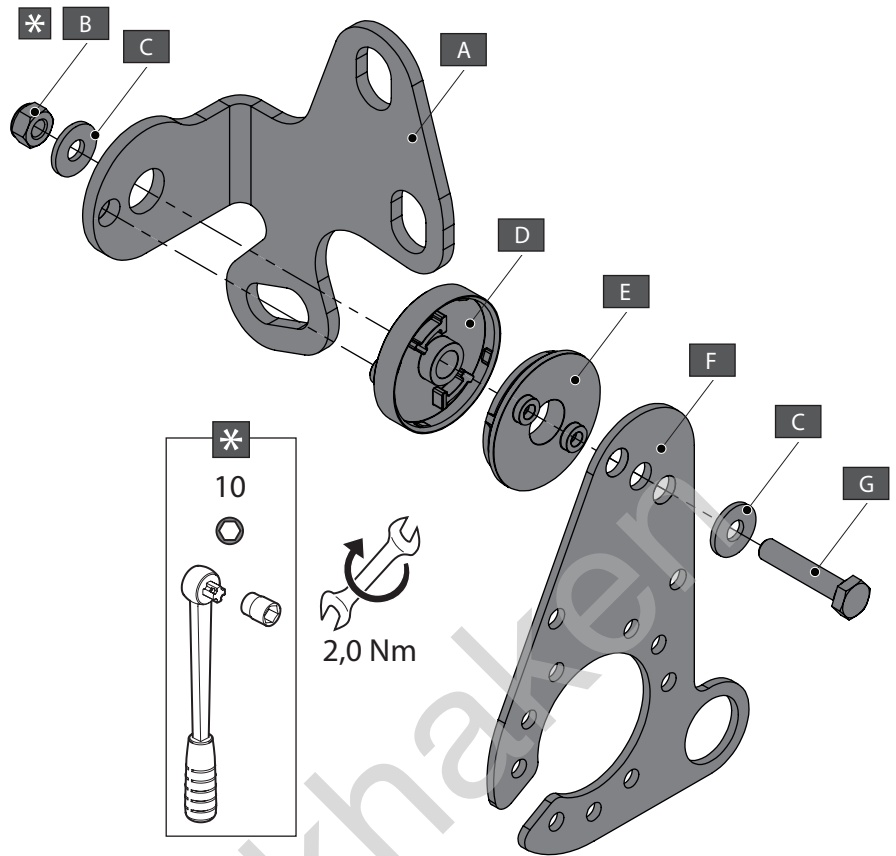


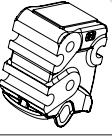



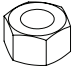
93,0 Nm

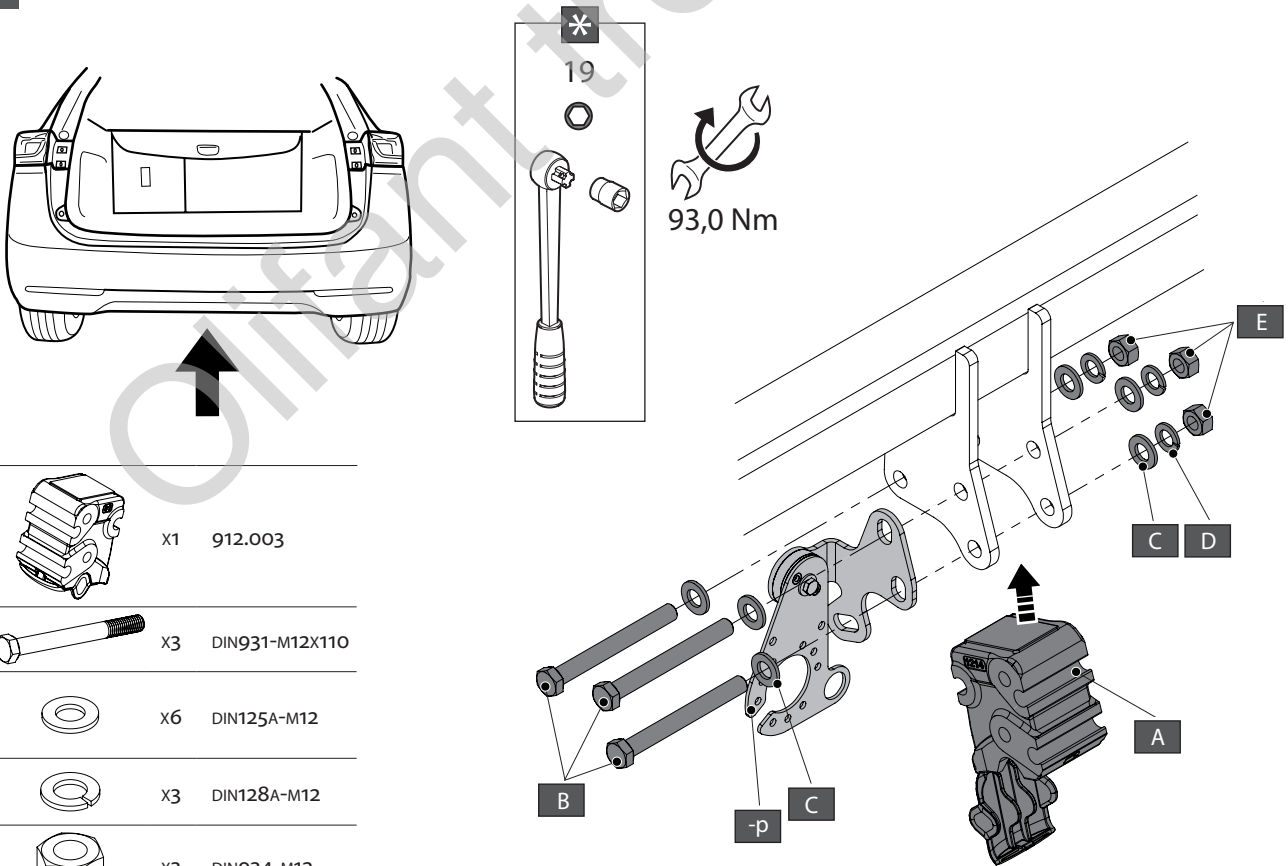


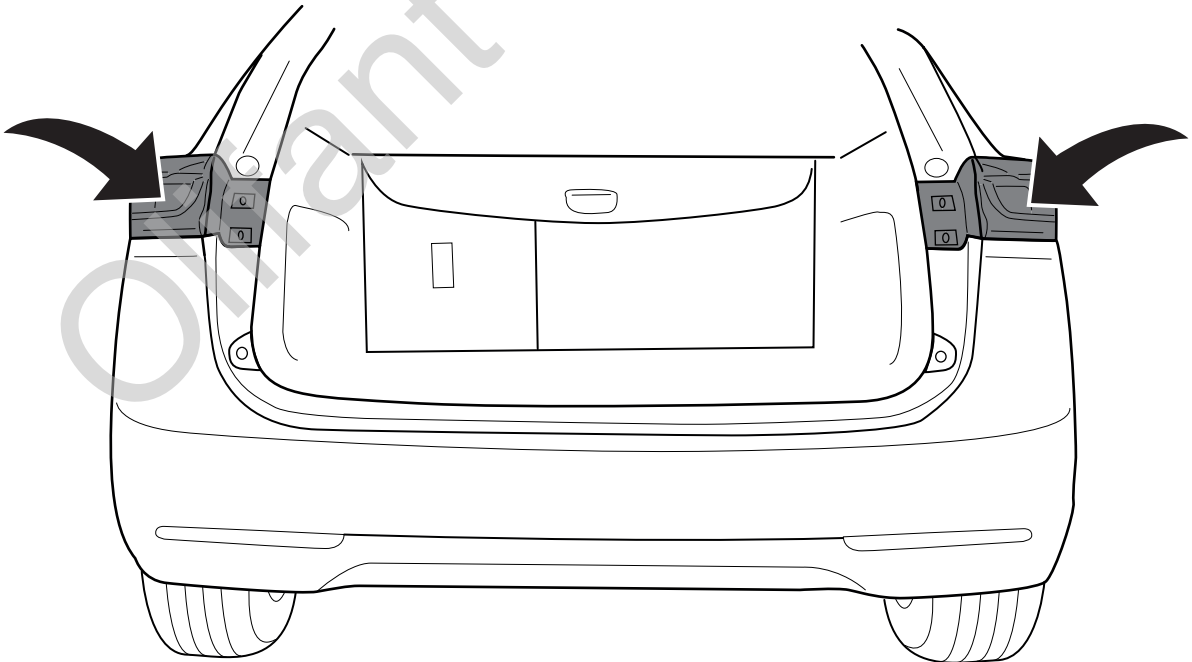
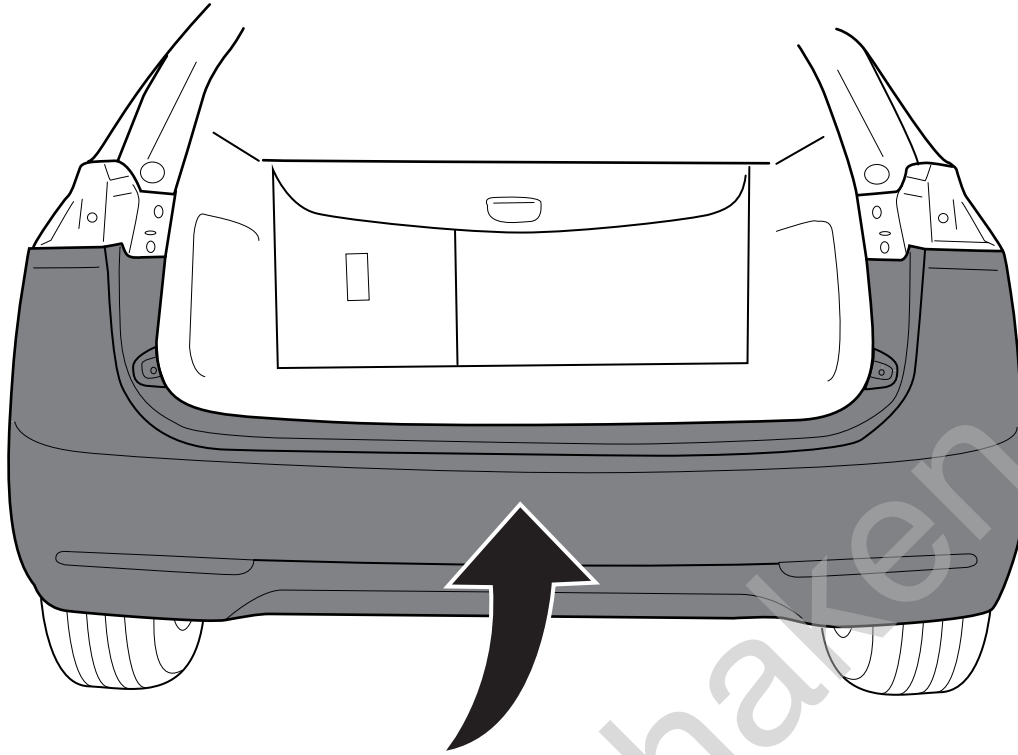


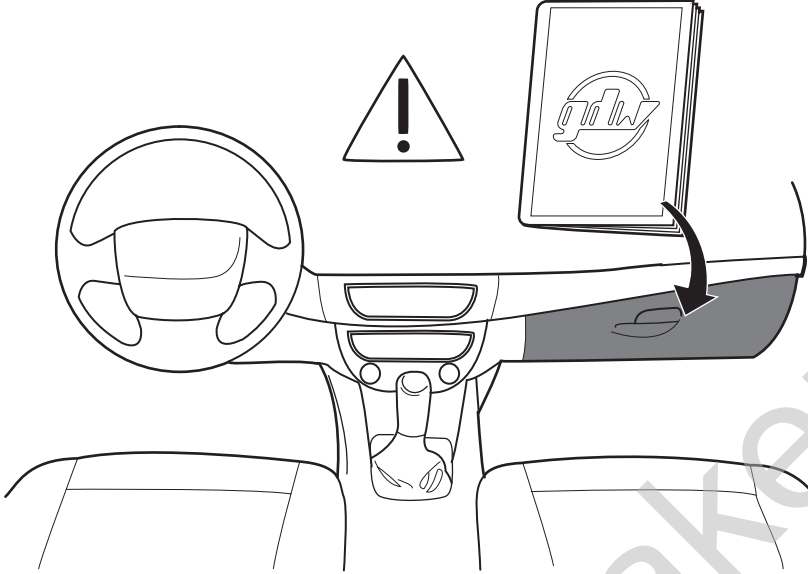
A		X1	GDW REF. 908.090
B		X1	DIN985-M6
C		X2	6,2 X 15,4 X 1,6 (NYLON)
D		X1	GDW REF. 718.16.002
E		X1	GDW REF. 718.16.003
F		X1	GDW REF. 908.094
G		X1	DIN933-M6 X 30



A		X1	912.003
B		X3	DIN931-M12X110
C		X6	DIN125A-M12
D		X3	DIN128A-M12
E		X3	DIN934-M12







Olifant trekhaken