



TREKHAKEN • ATTELAGES • ANHÄNGERVORRICHTUNGEN • TOWBARS • ENHANCES • ANHÆNGERTRÆK

Montagehandleiding | instructions de montage | Einbauanleitung | Mounting instruction
Instrucciones de montaje | monteringsvejledning



Opel Grandland X

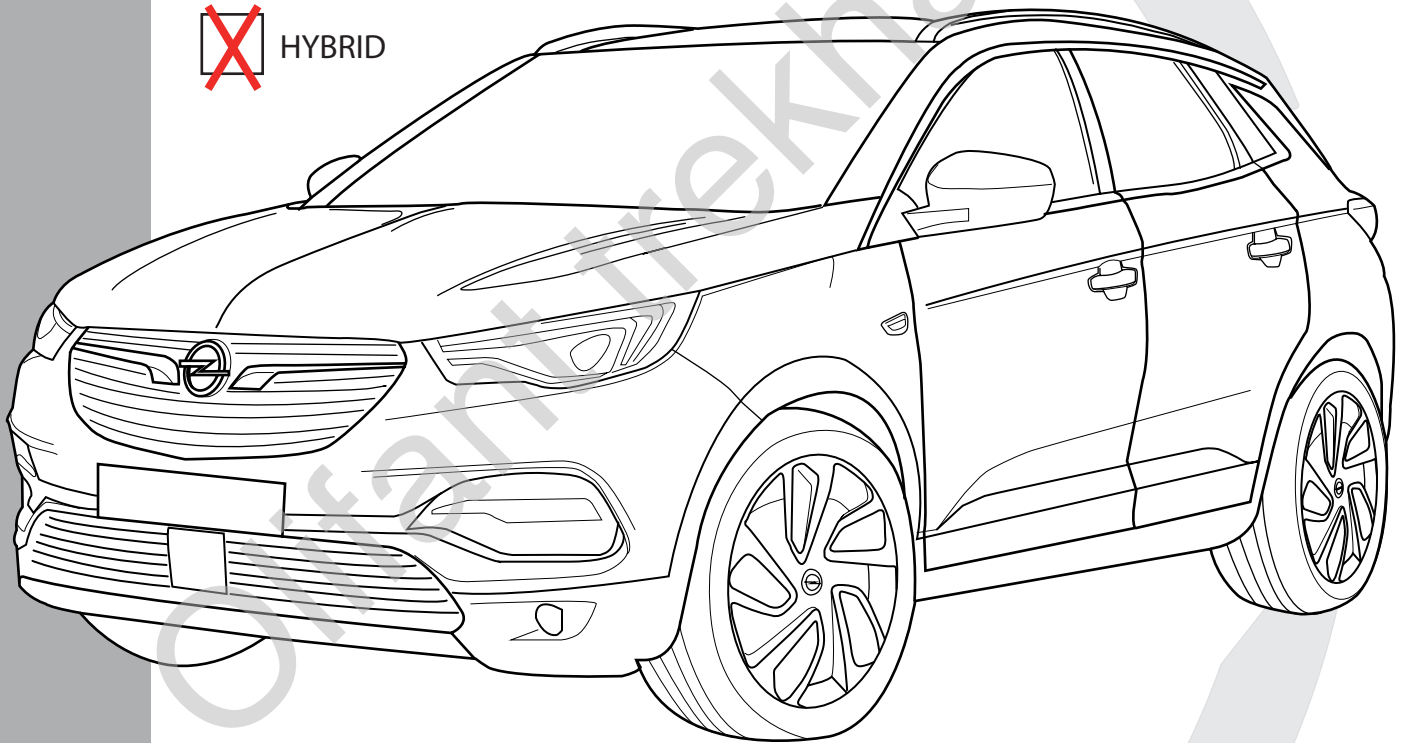
06/'17-

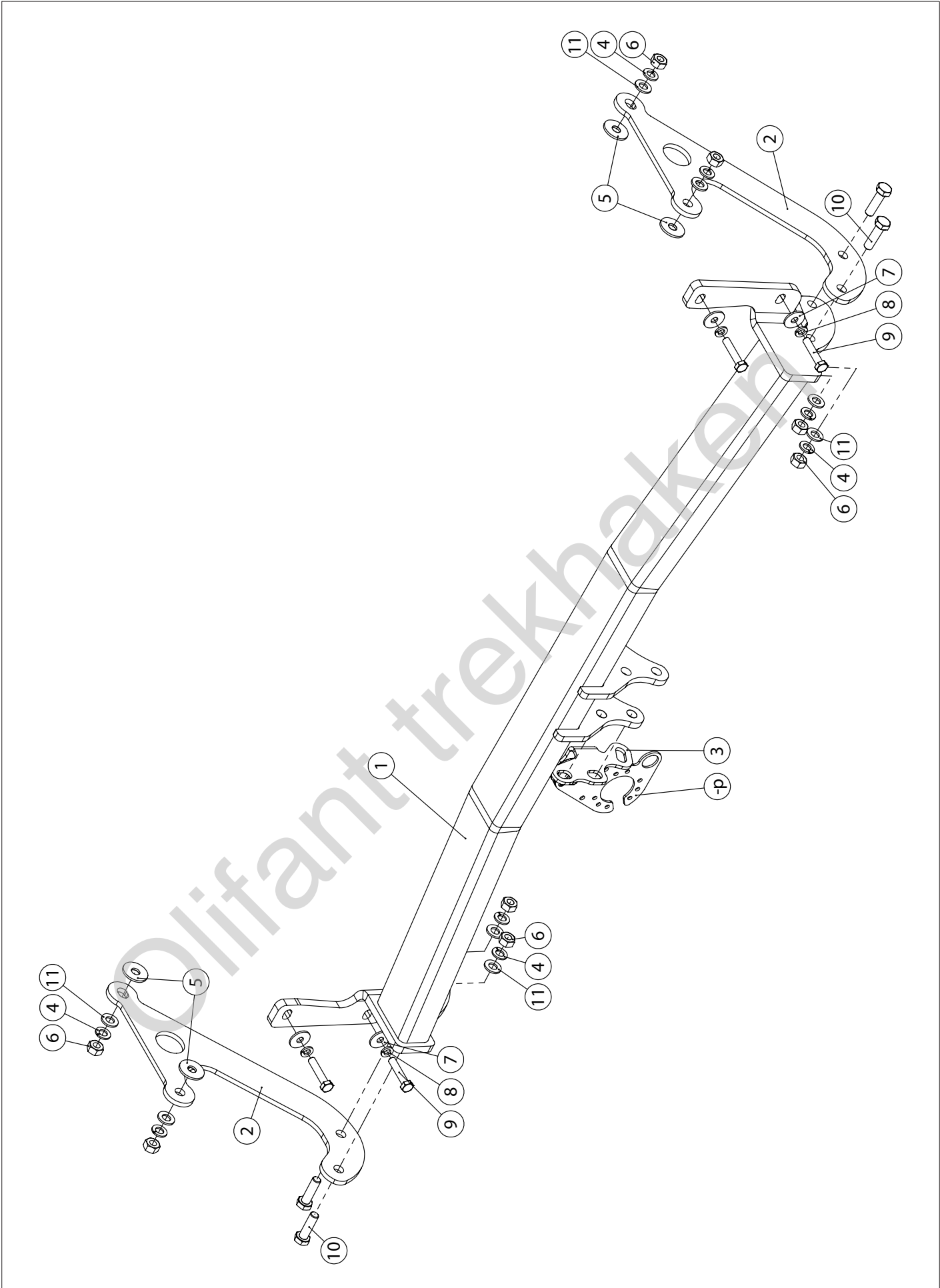


STANDARD



HYBRID



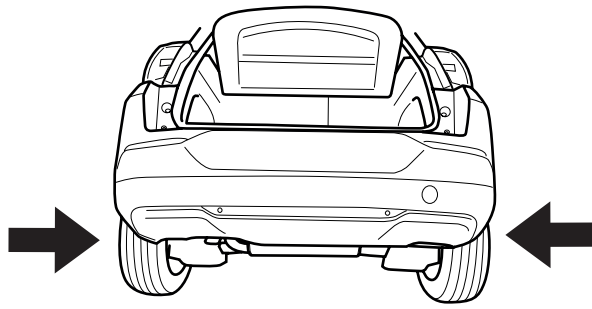


1		X1	GDW REF. 2261T60
2		X2	GDW REF. 2
3		X1	GDW REF. 3
4		X8	DIN128A-M10
5		X4	DIN9021-M10-ELVZ
6		X8	DIN934-M10
7		X4	DIN9021-M8-ELVZ
8		X4	DIN128A-M8
9		X4	DIN933-M8 x 40
10		X4	DIN933-M10 x 35
11		X8	DIN125-A10-140HV-ELVZ

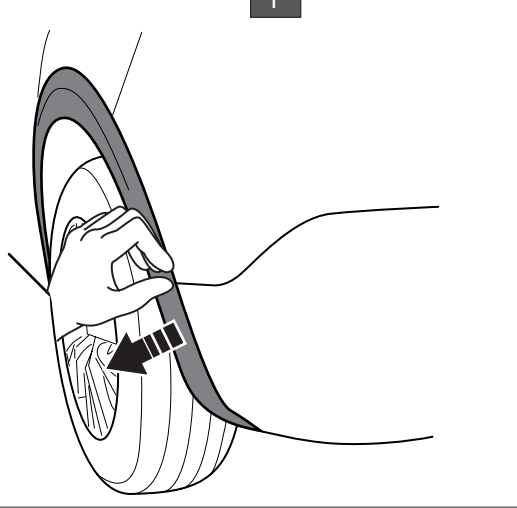
-P		X1	GDW REF. P38
↳		X1	GDW REF. 3
↳		X1	DIN985-M6
↳		X2	6,2 X 15,4 X 1,6 (NYLON)
↳		X1	GDW REF. 718.16.002
↳		X1	GDW REF. 718.16.003
↳		X1	GDW REF. 908.094
↳		X1	DIN933-M6 X 30

Geleverd met - Livré avec - Delivered with Geliefert mit - Elementos adjuntos-Leveres med		X1	GDW REF. 960.W1208
↳		X1	GDW REF. 740.200
↳		X1	GDW REF. 912.003
↳		X1	GDW REF. 740.112
↳		X1	GDW REF. 740.111
↳		X1	GDW REF. 740.114
↳		X1	GDW REF. 718.15.001
↳		X1	GDW REF. SYST60-10
↳		X3	DIN931-M12X110-8-8
↳		X3	DIN128A-M12
↳		X6	DIN125A-M12

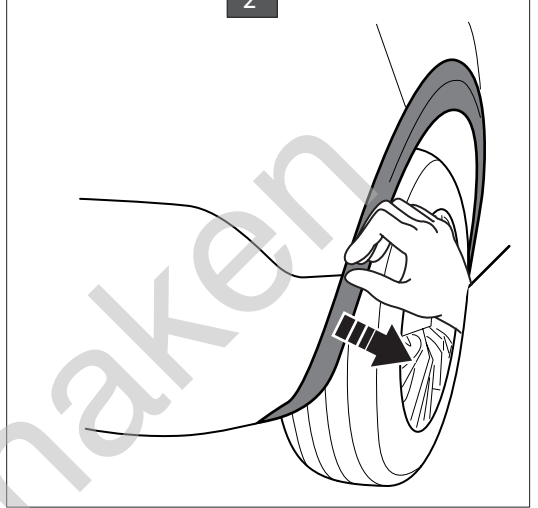
1



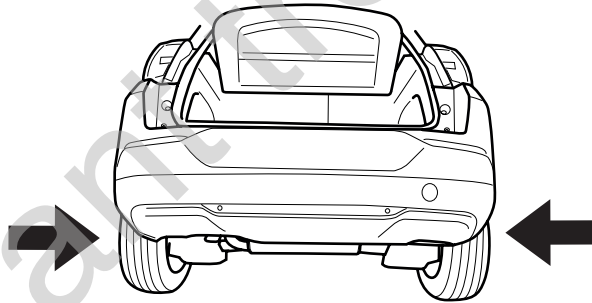
1



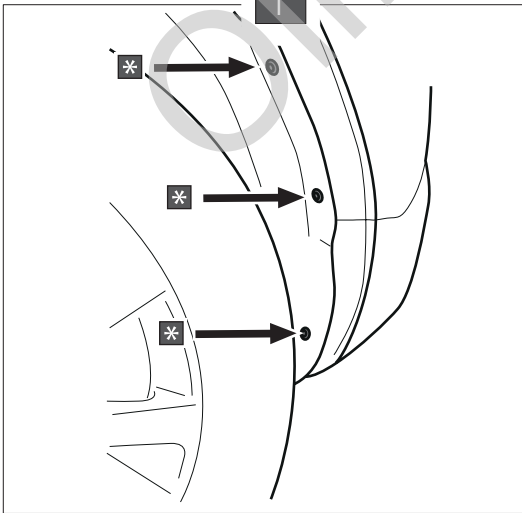
2



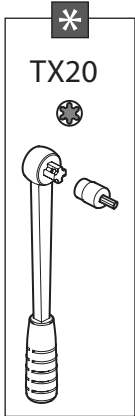
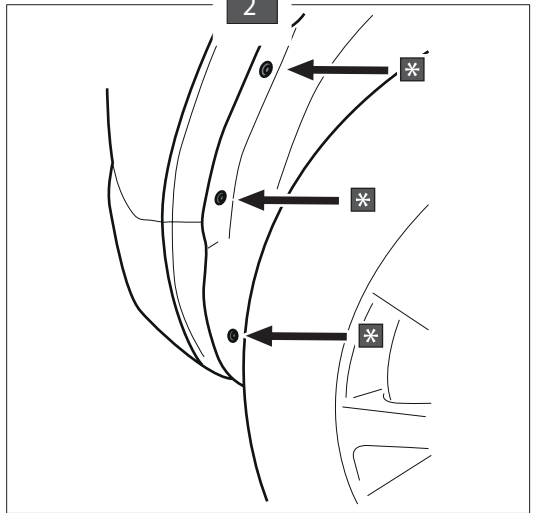
2

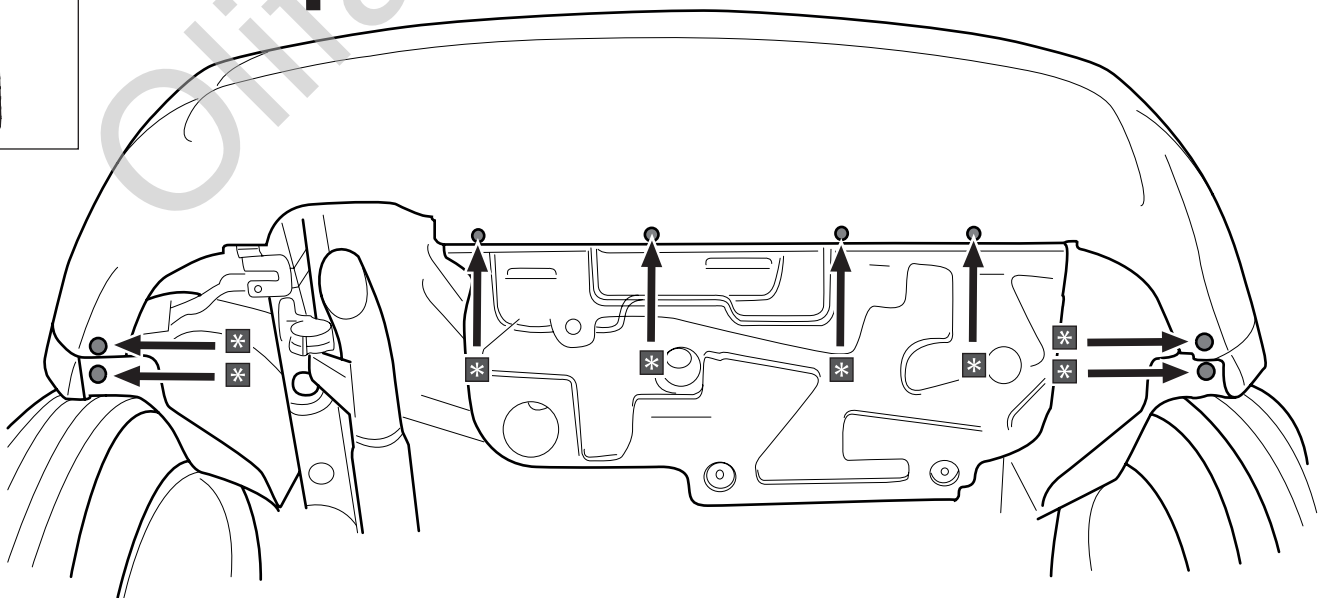
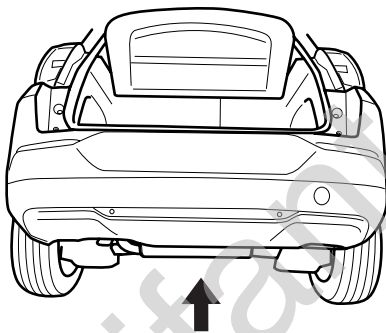
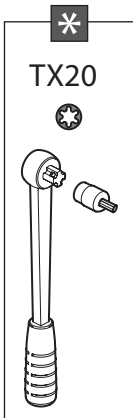
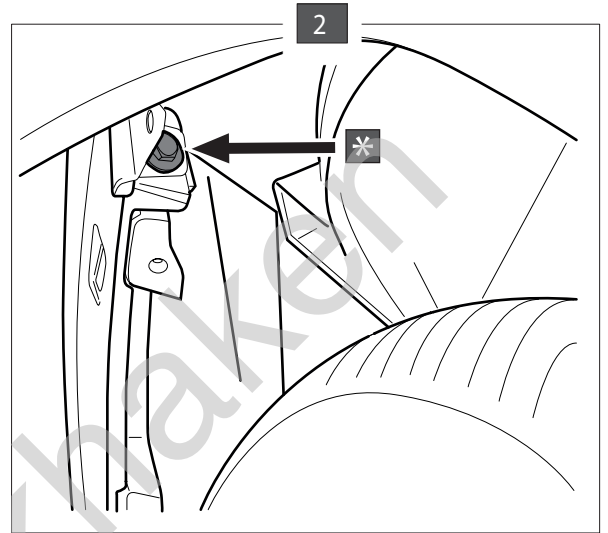
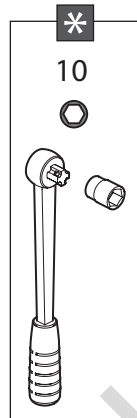
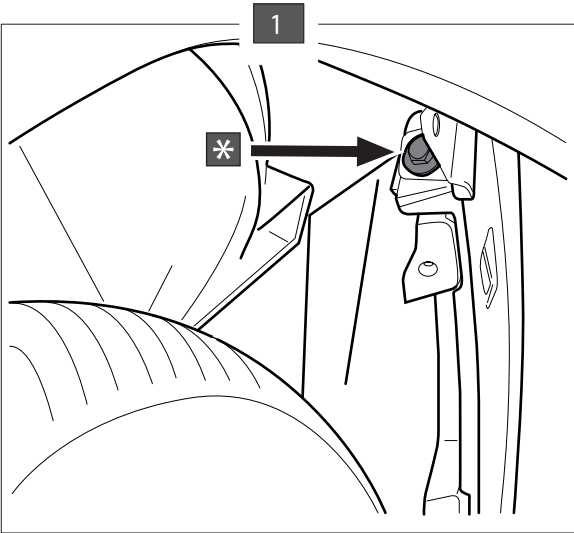
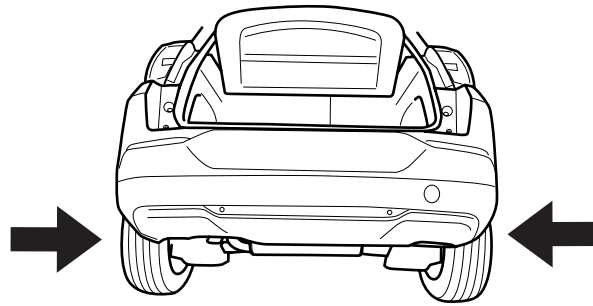


1

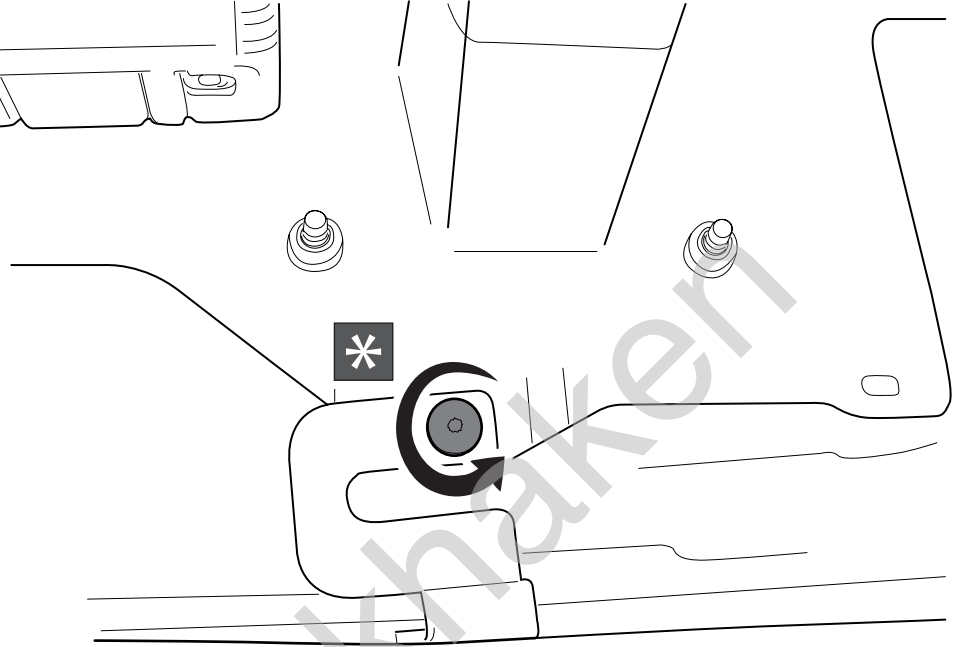
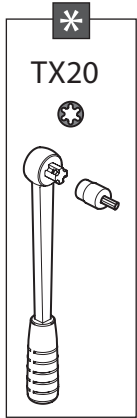
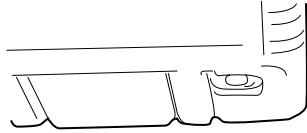
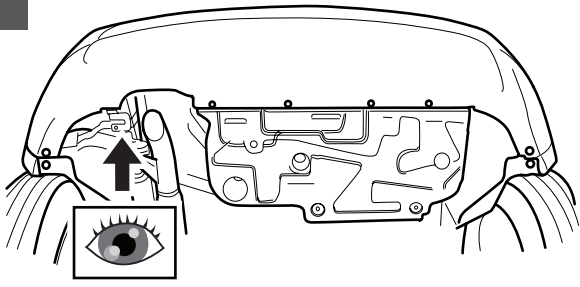


2

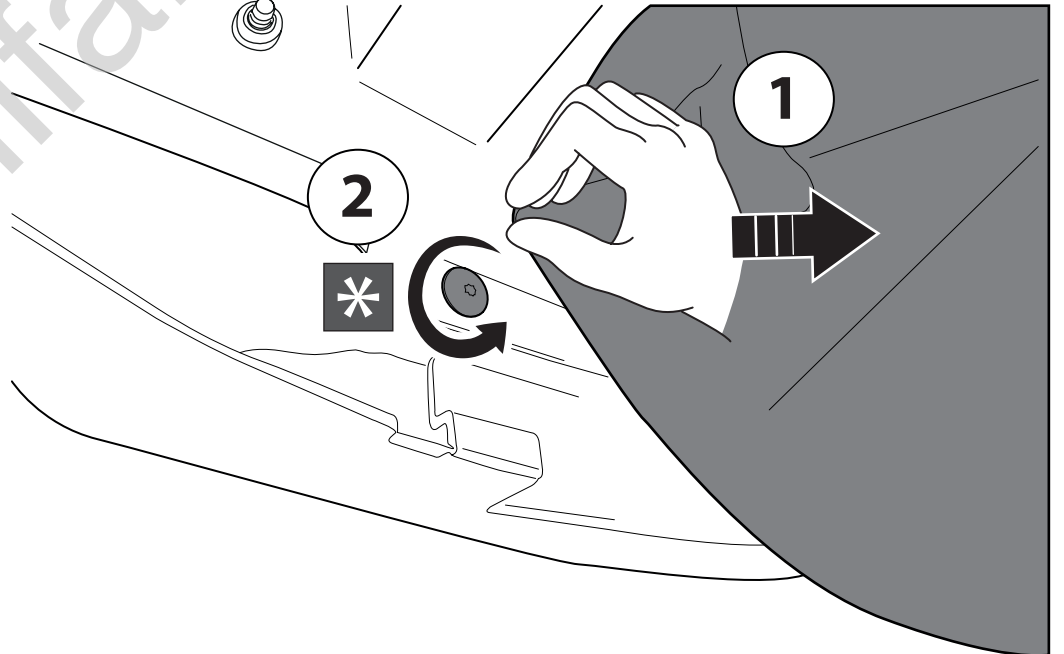
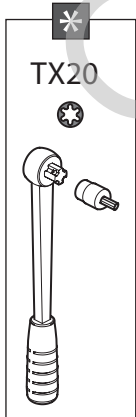
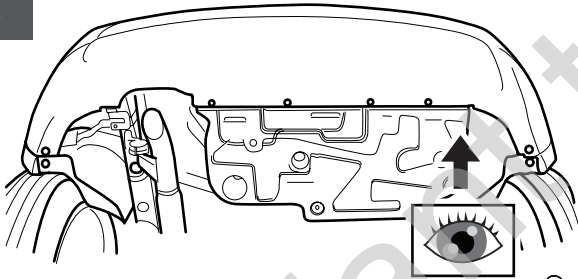


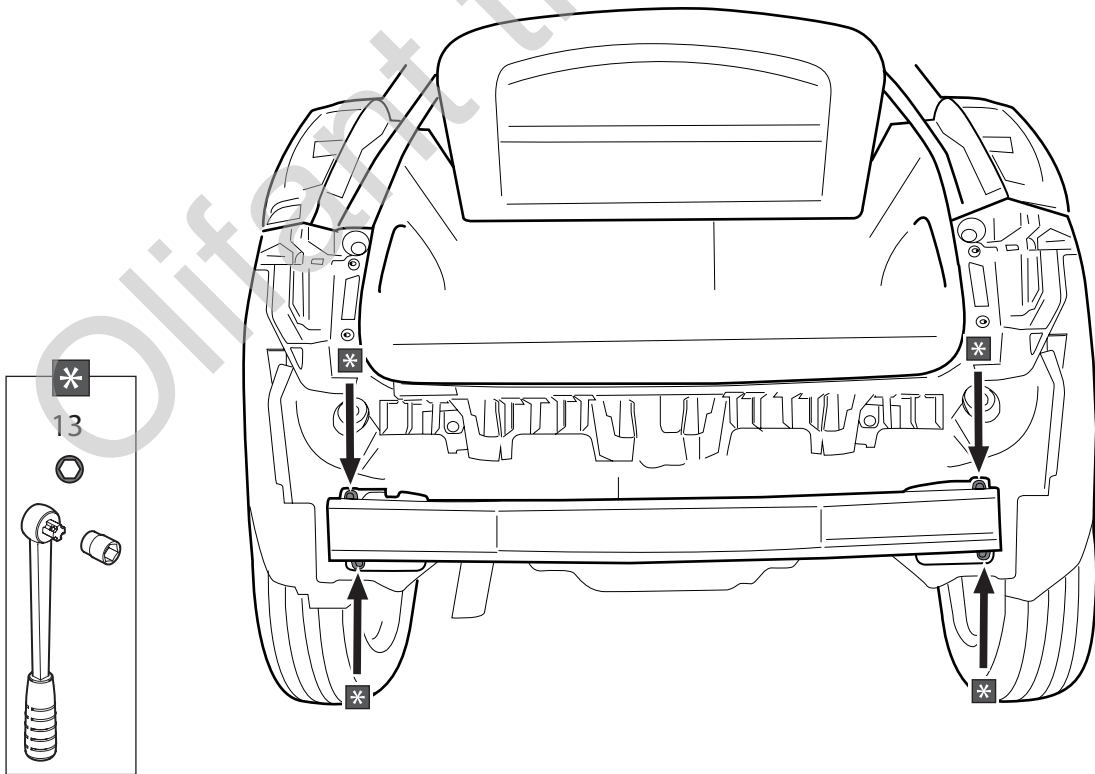
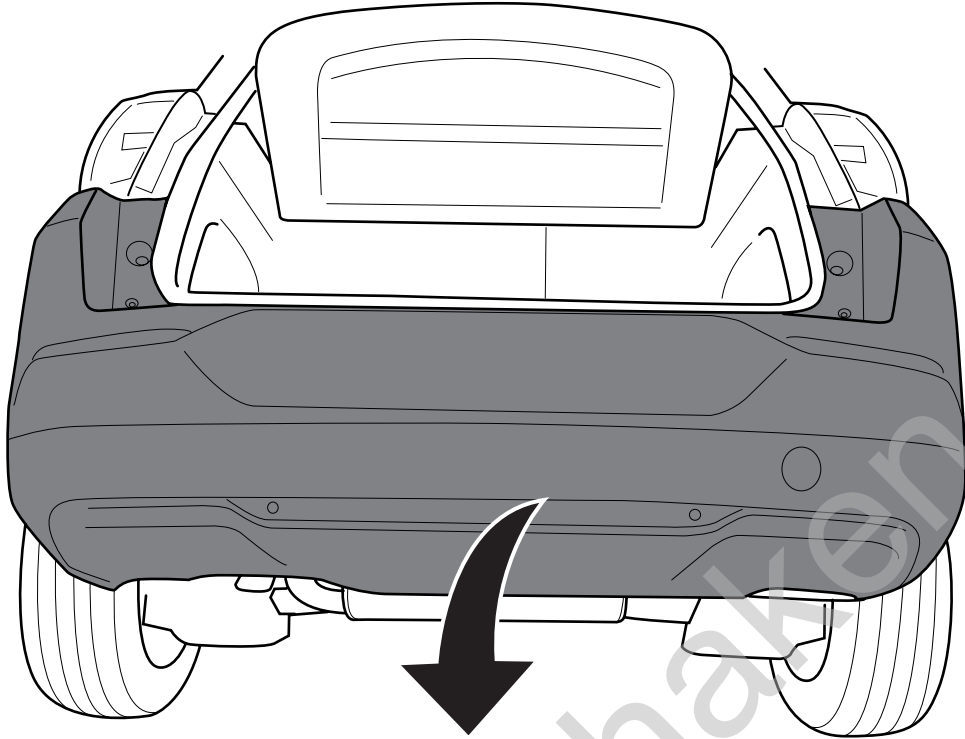


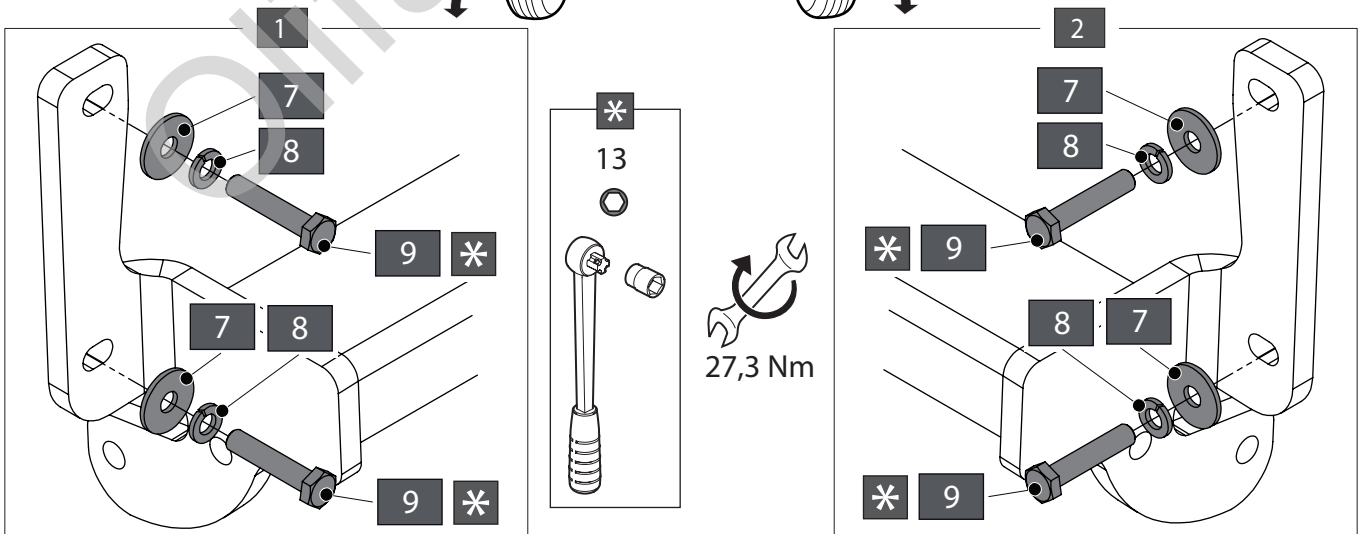
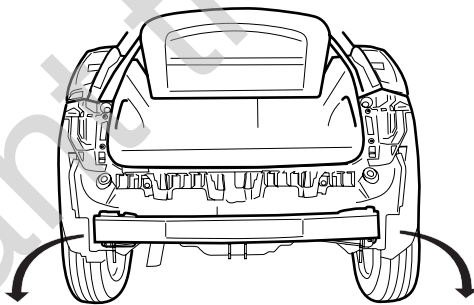
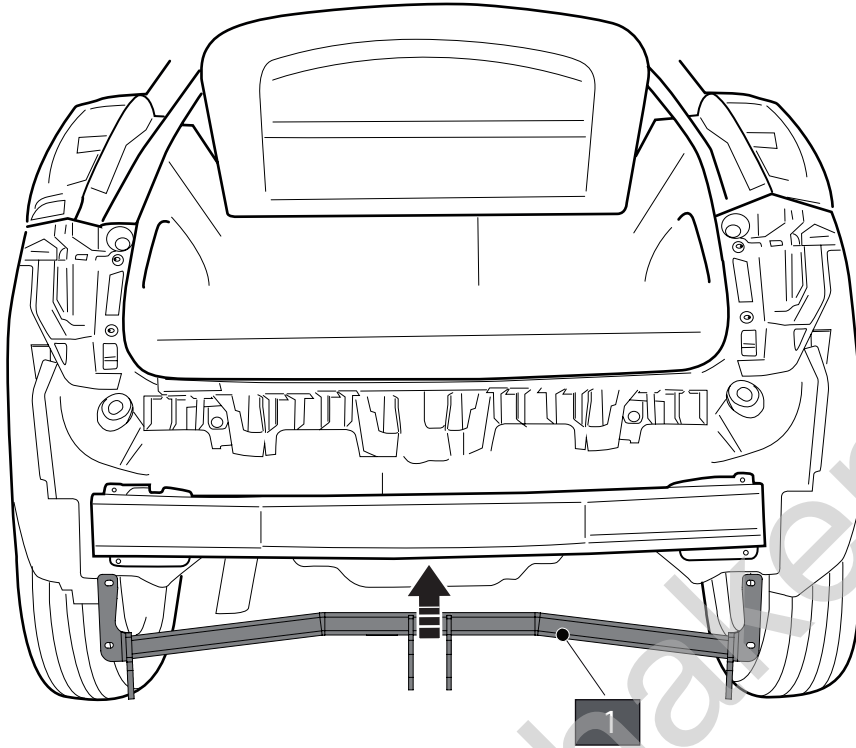
5



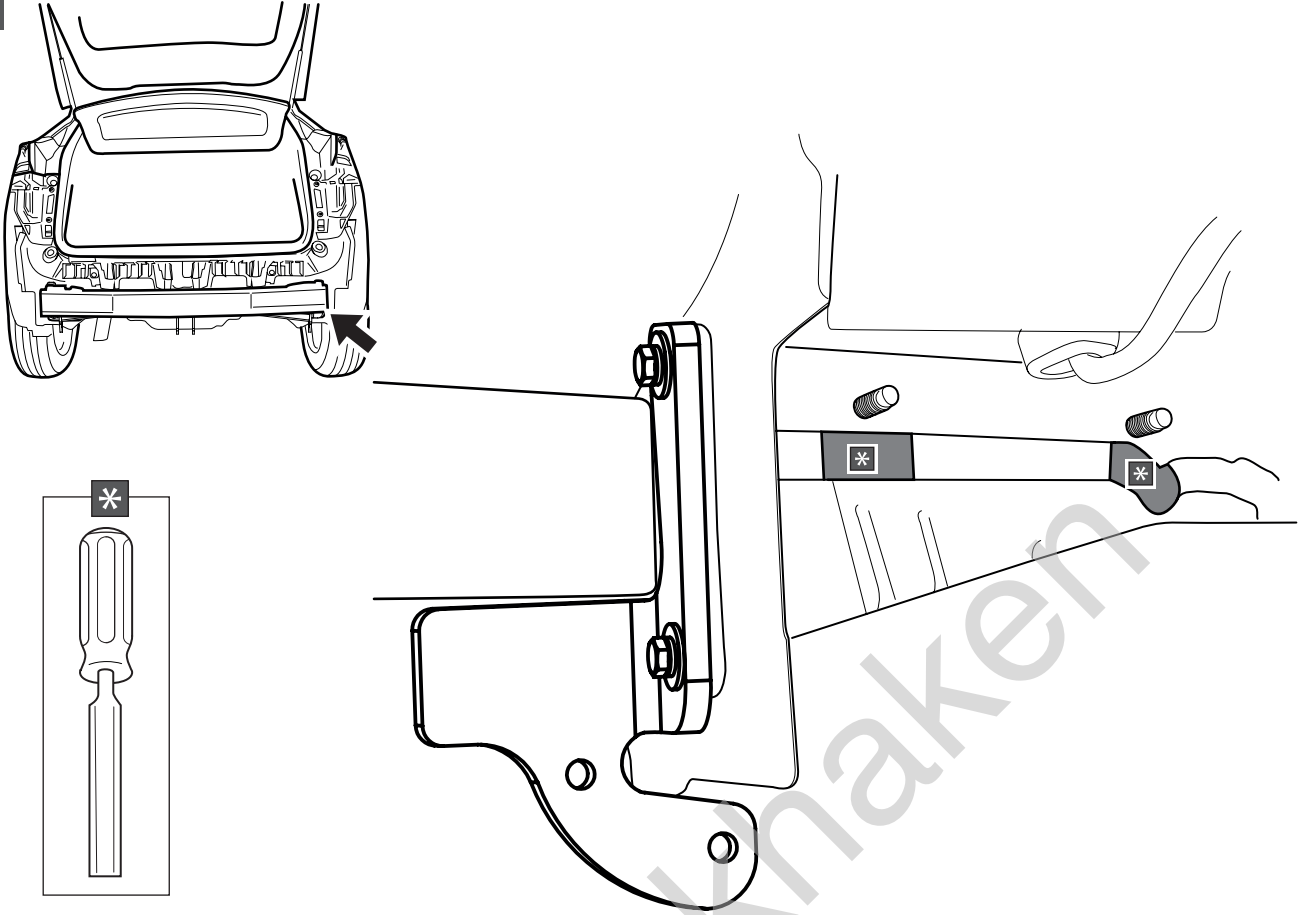
6



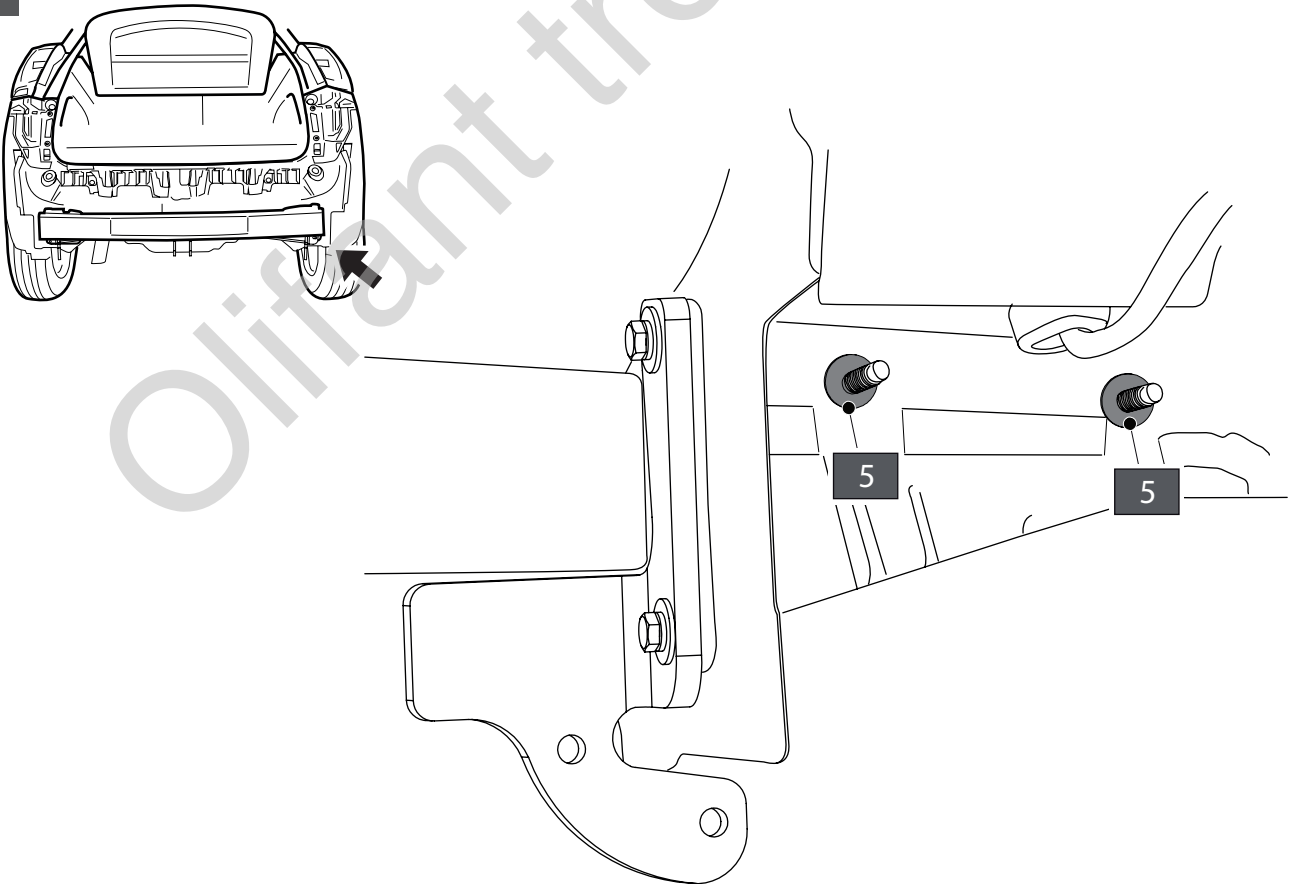




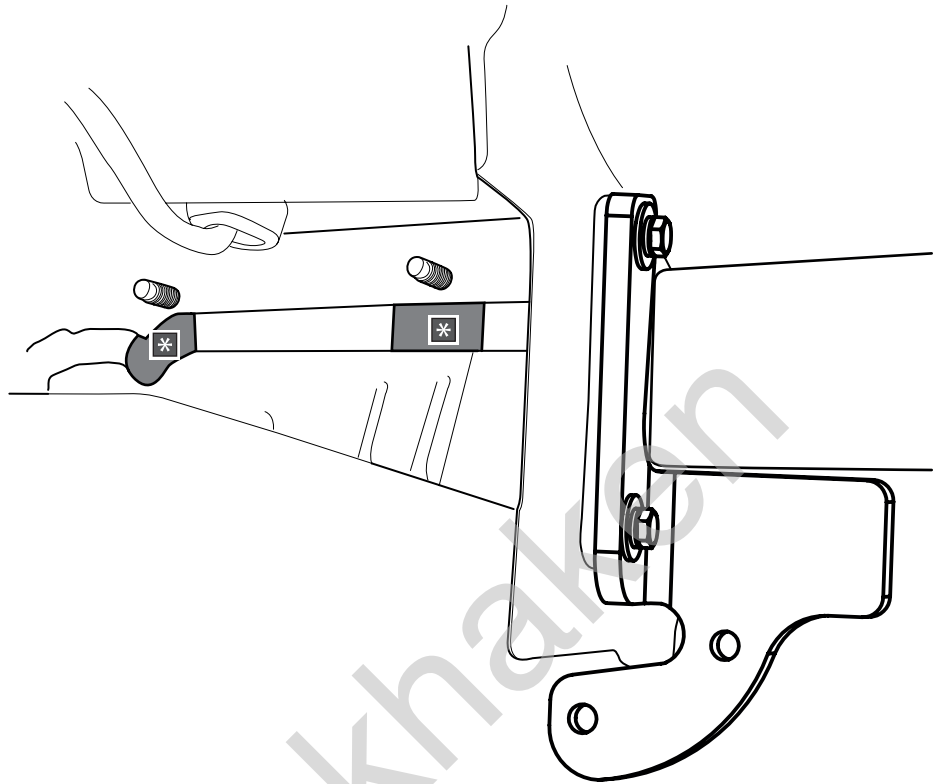
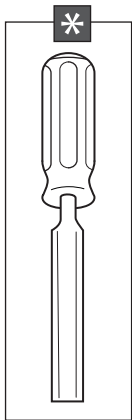
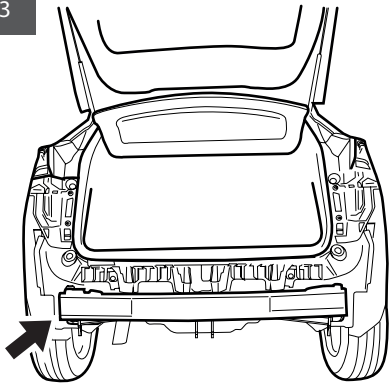
11



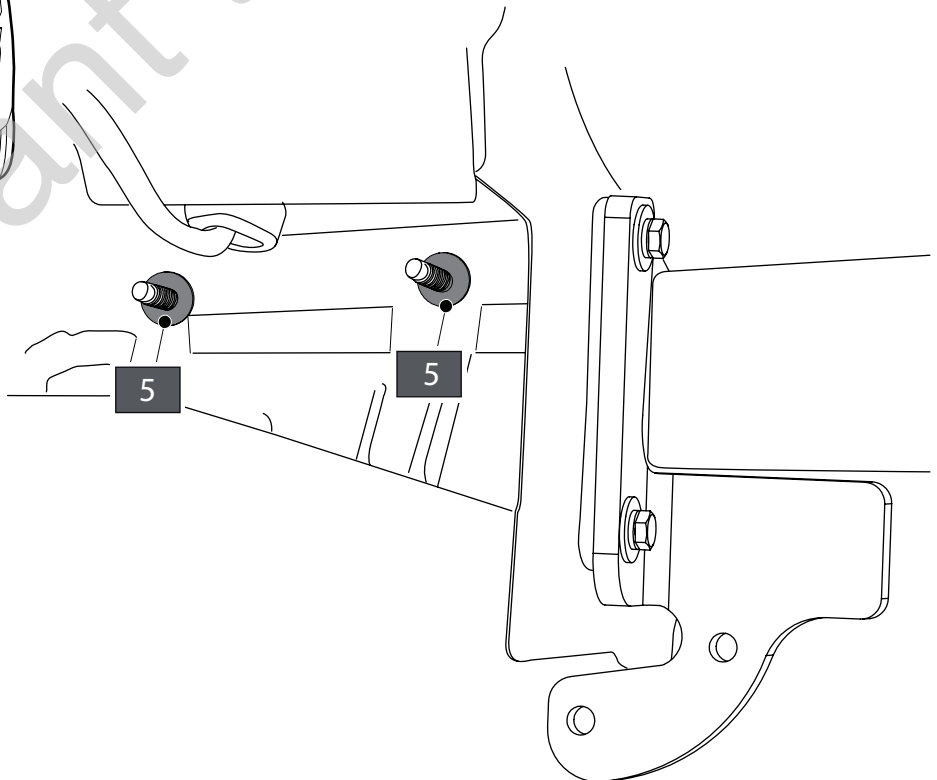
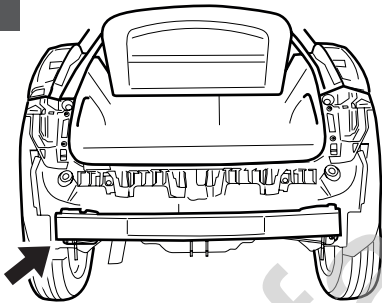
12



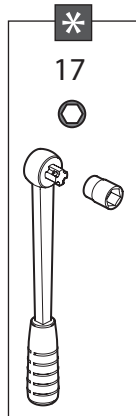
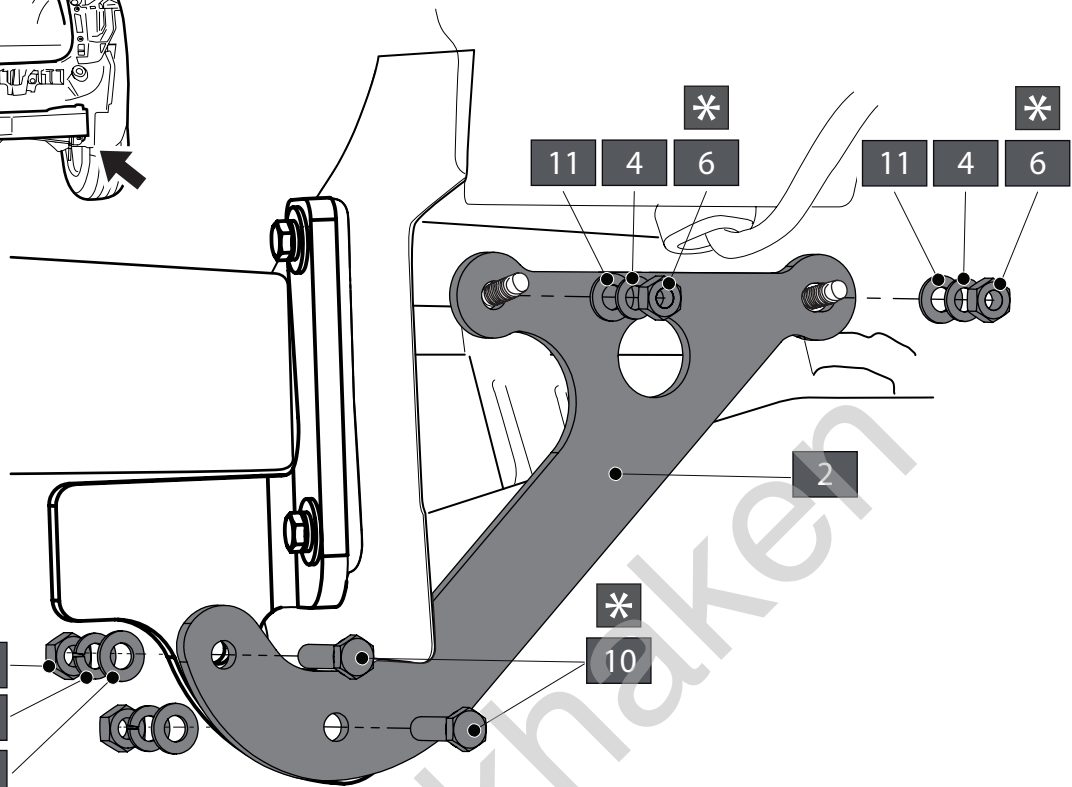
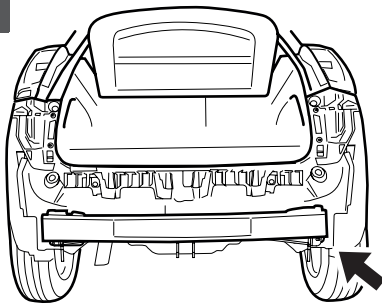
13



14

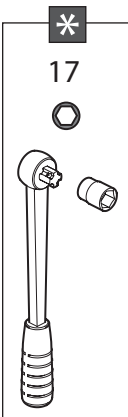
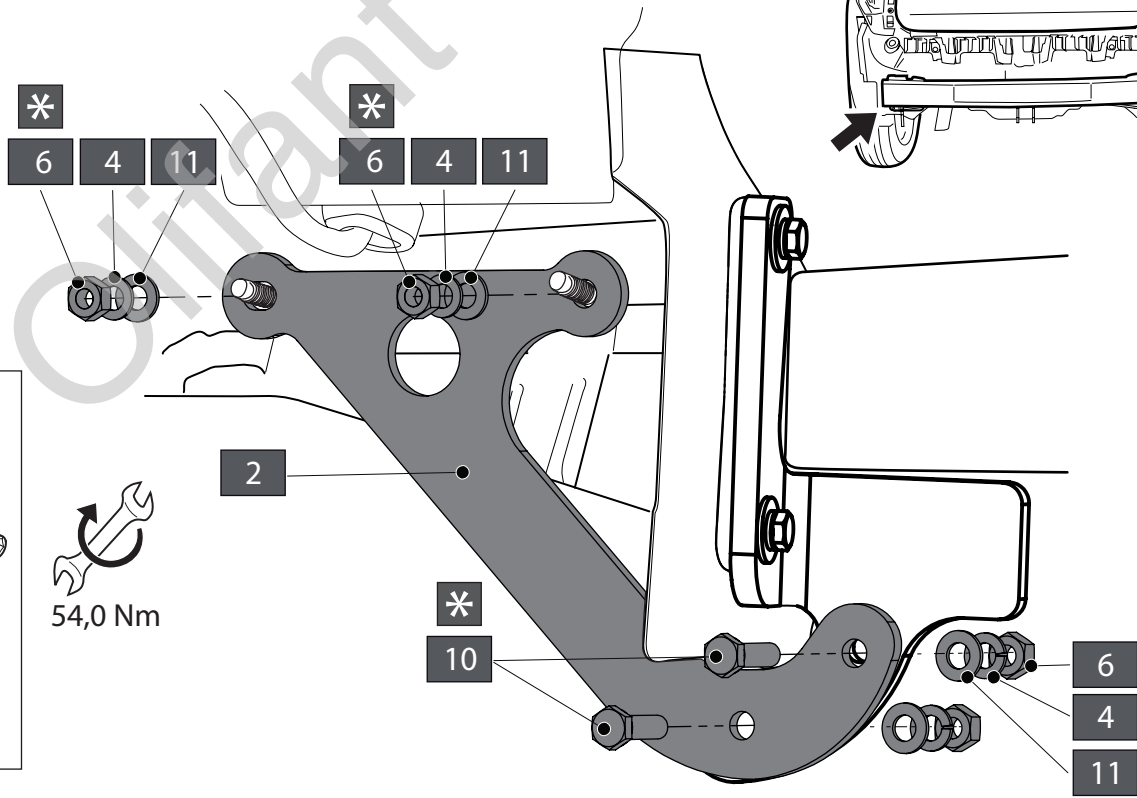
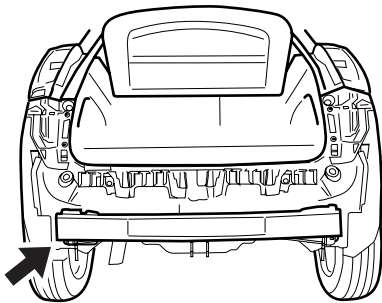


15

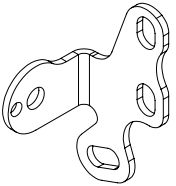




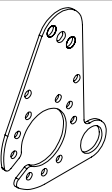



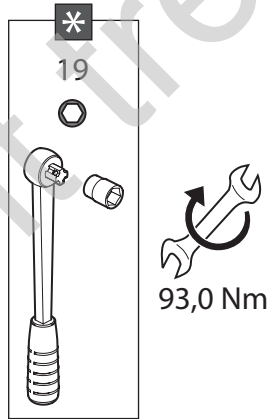
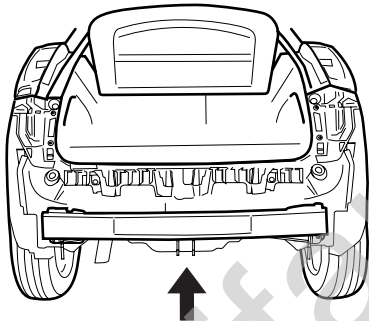
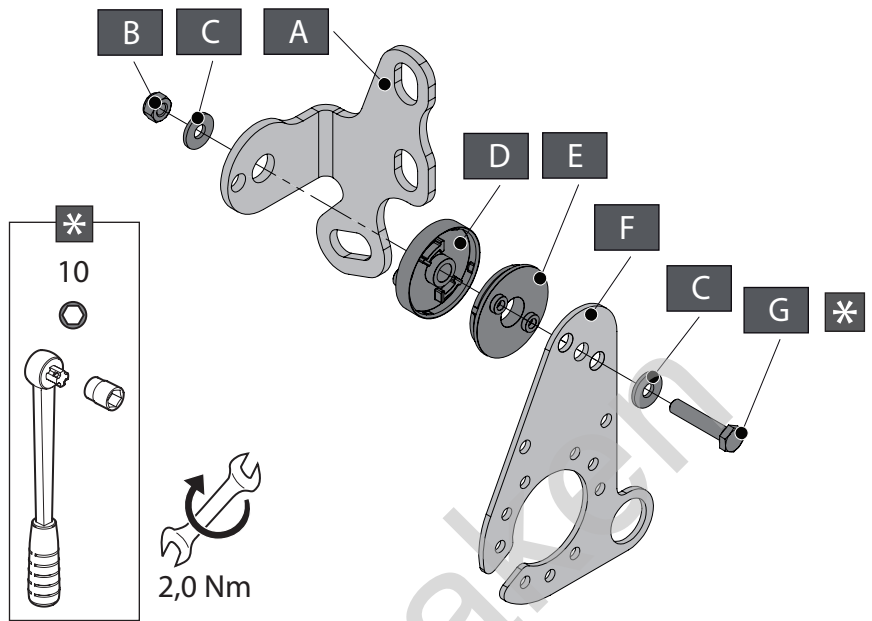
54,0 Nm


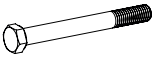



16

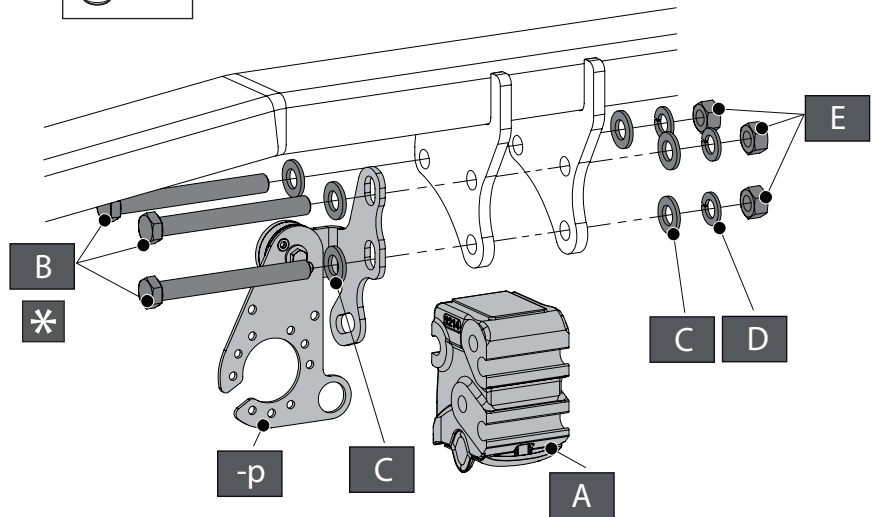


54,0 Nm

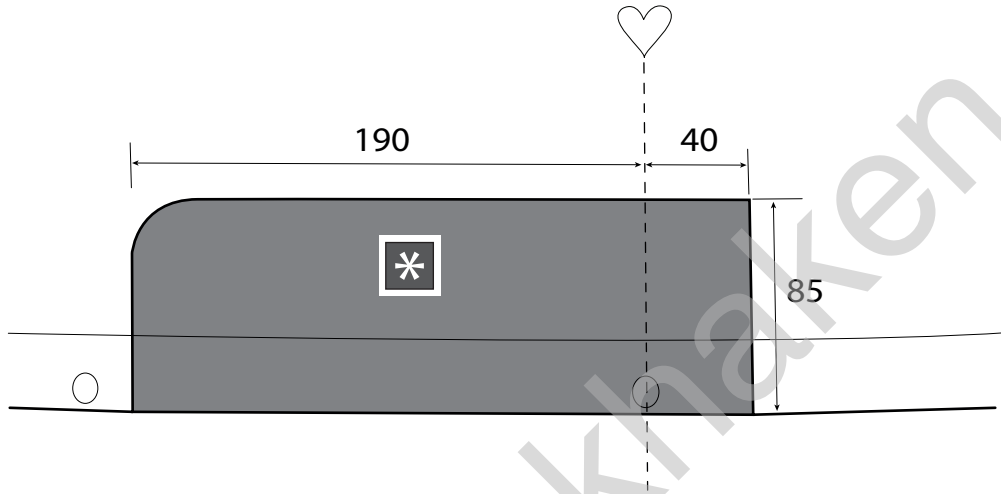
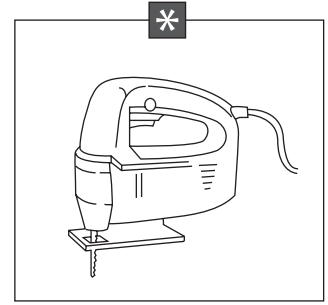
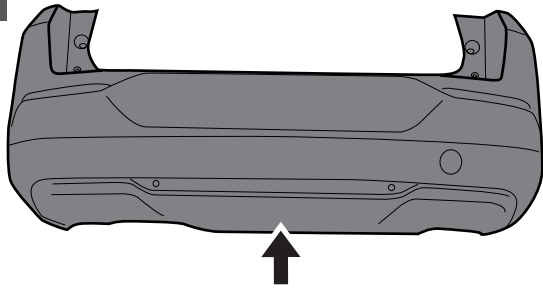
A		X1	GDW REF. 3
B		X1	DIN985-M6
C		X2	6,2 X 15,4 X 1,6 (NYLON)
D		X1	GDW REF. 718.16.002
E		X1	GDW REF. 718.16.003
F		X1	GDW REF. 908.094
G		X1	DIN933-M6 X 30



A		X1	912.003
B		X3	DIN931-M12X110
C		X6	DIN125A-M12
D		X3	DIN128A-M12
E		X3	DIN934-M12



19



20

