

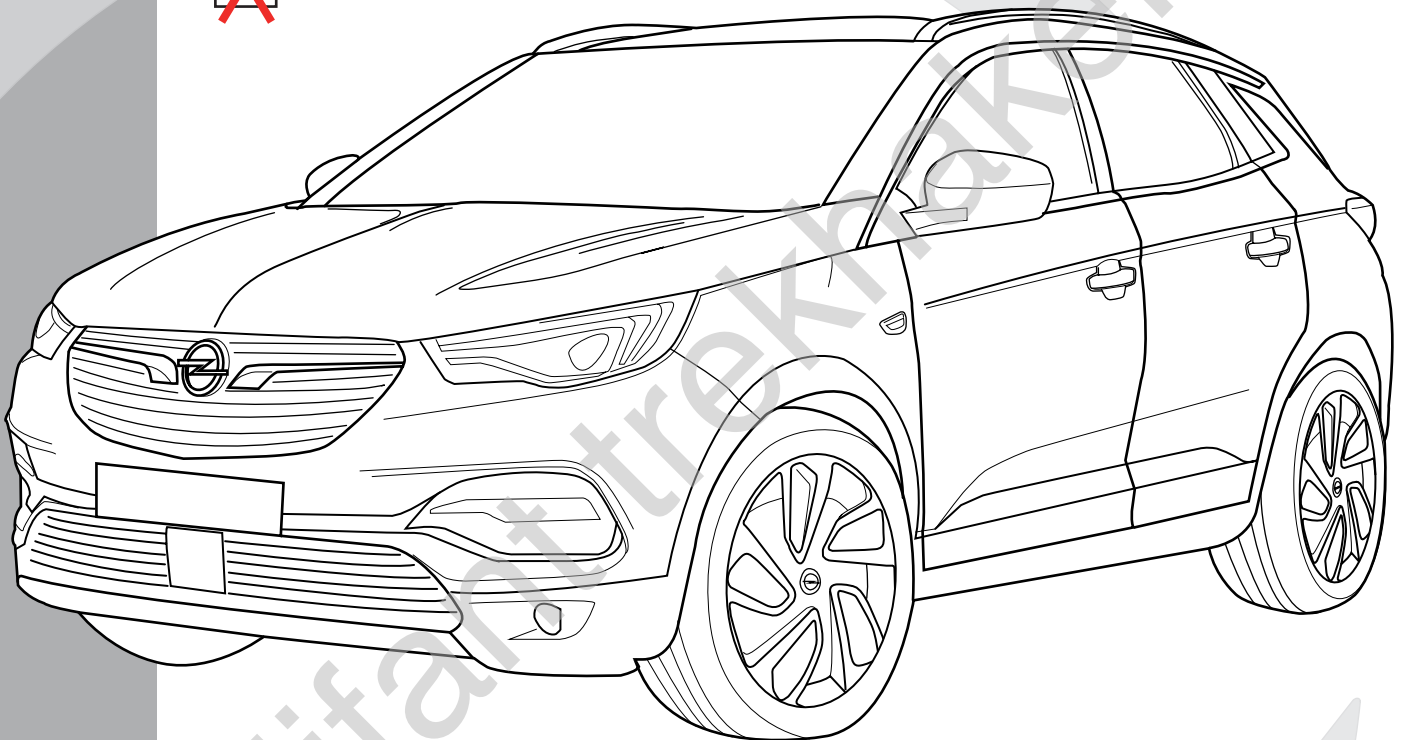


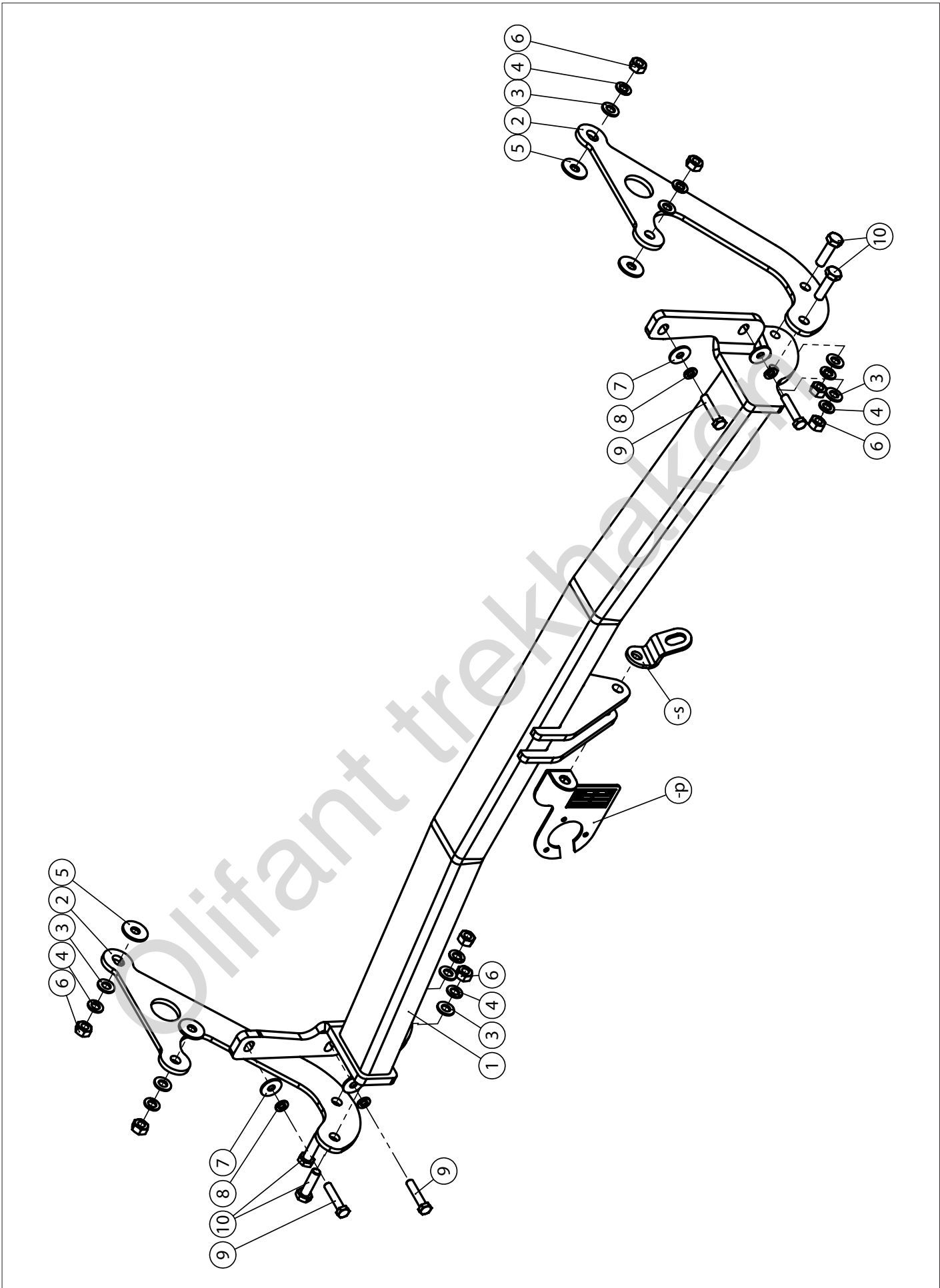
Opel Grandland X

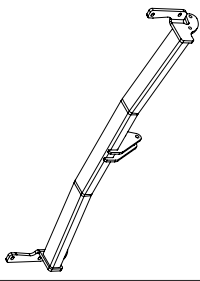
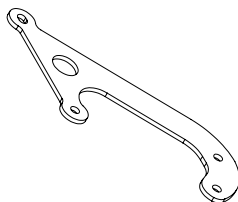


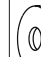

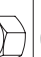





06/'17-

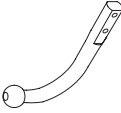
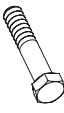


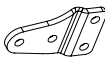
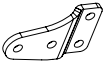
STANDARD

HYBRID

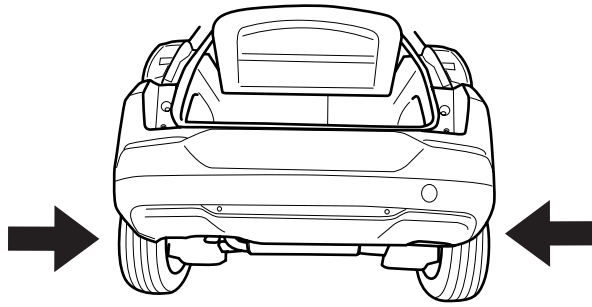




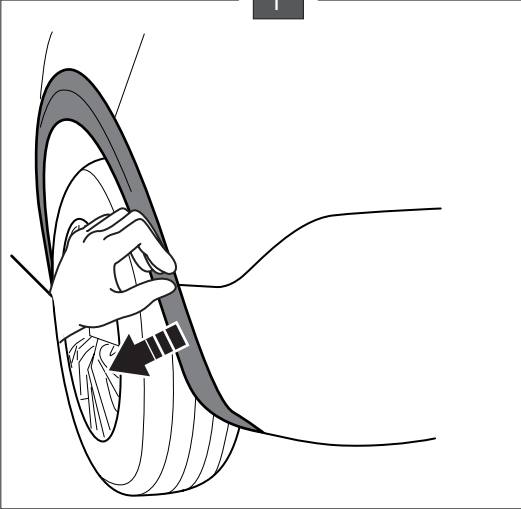
1		X1	GDW REF. 2260
2		X2	GDW REF. 2
3		X8	DIN125-A10-140HV-ELVZ
4		X8	DIN128A-M10
5		X4	DIN9021-M10-ELVZ
6		X8	DIN934-M10
7		X4	DIN9021-M8-ELVZ
8		X4	DIN128A-M8
9		X4	DIN933-M8 X 40
10		X4	DIN933-M10 X 35
-S		X1	GDW REF. 900.053
-P		X1	GDW REF. P04

Geleverd met - Livré avec - Delivered with Geliefert mit - Elementos adjuntos - Leveres med - Forniti insieme		
	X1	944.P1000
	X4	DIN931-M12 X 70
	X4	DIN985-M12
	X2	GDW REF. 900.011 Ø 21.3 X 11.7
	X1	GDW REF. 900.025
	X1	GDW REF. 900.026

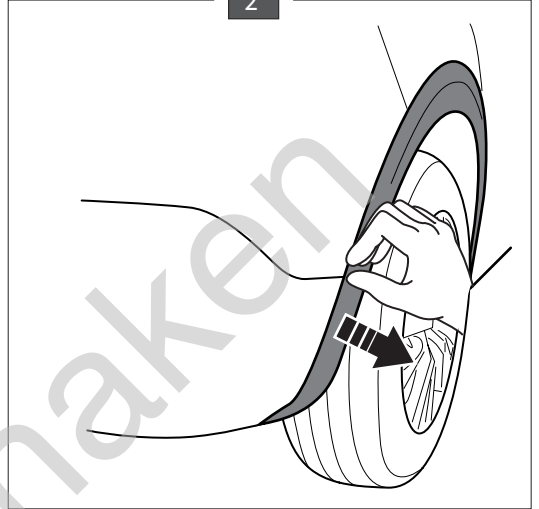
1



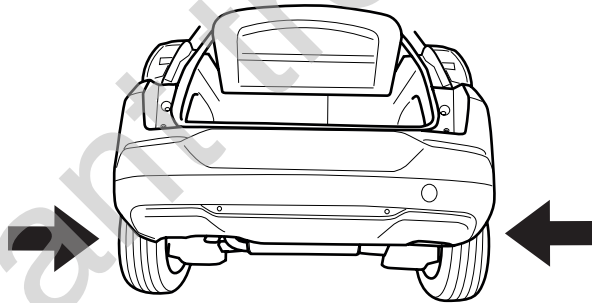
1



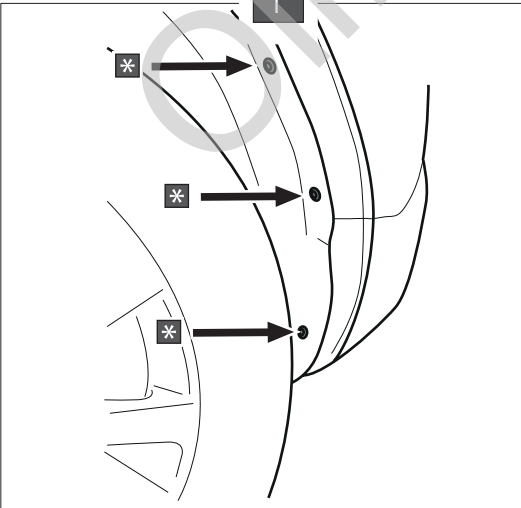
2



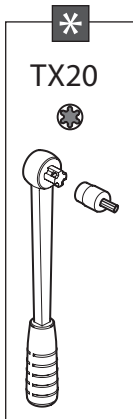
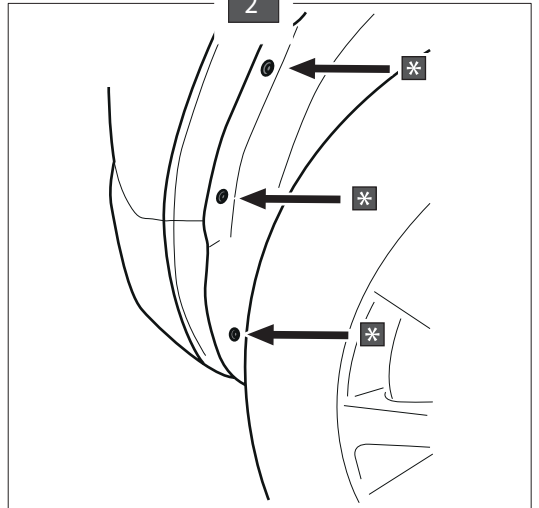
2

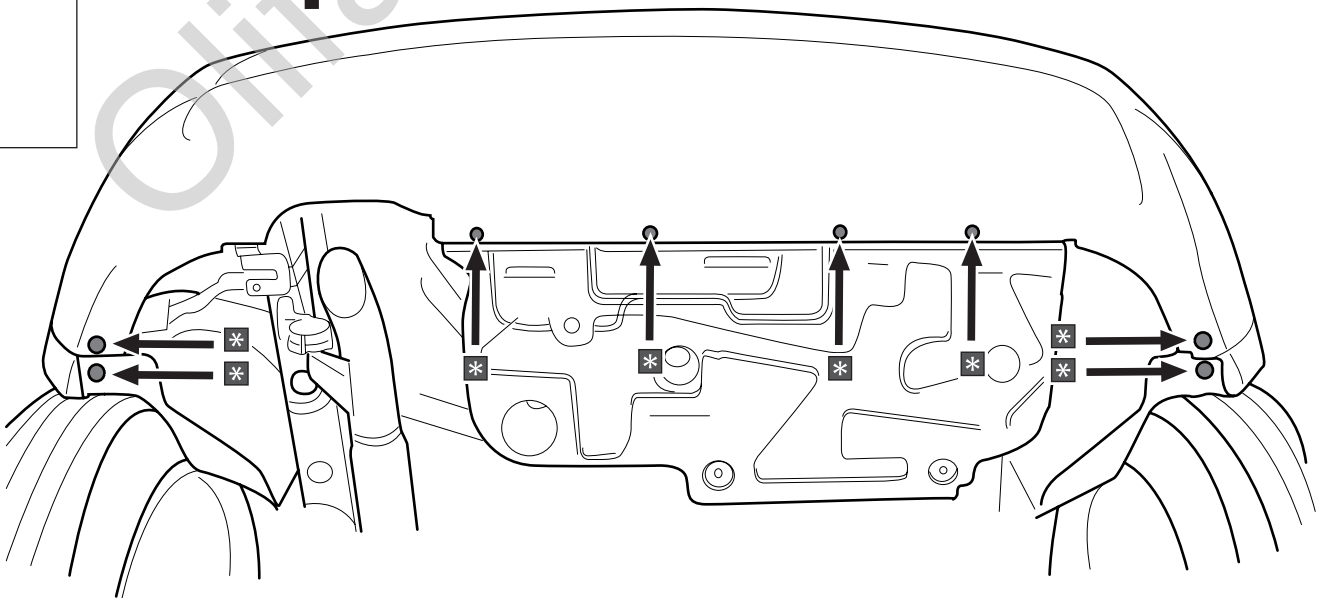
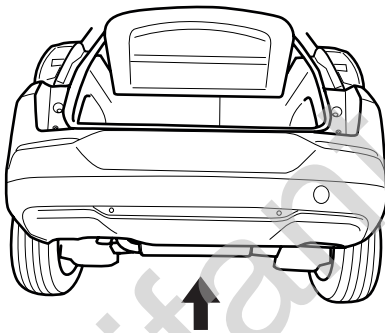
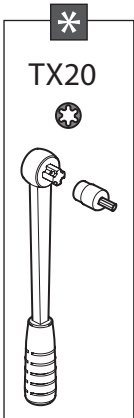
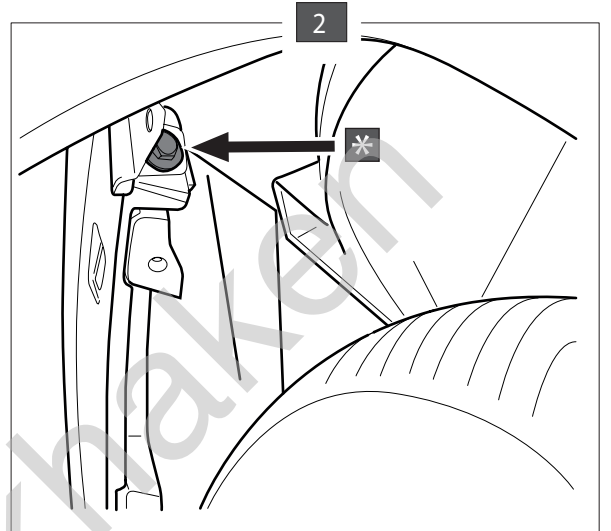
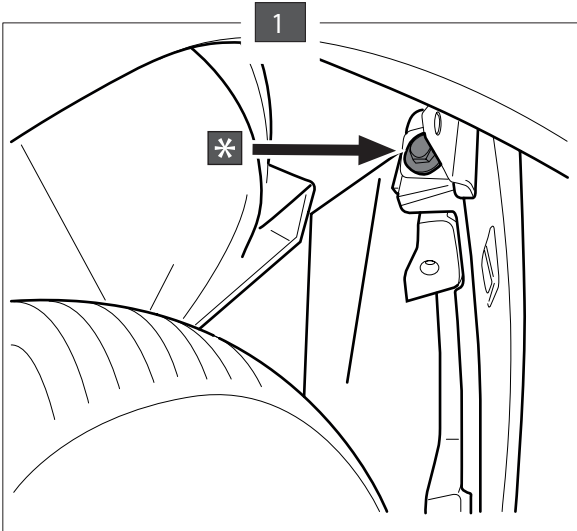
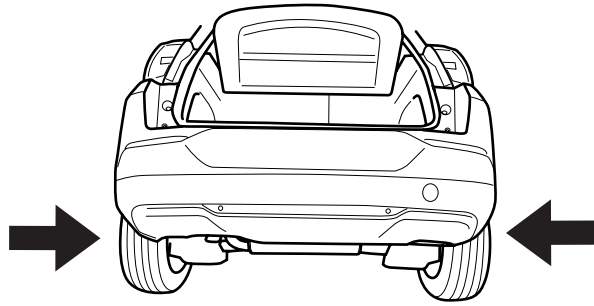


1

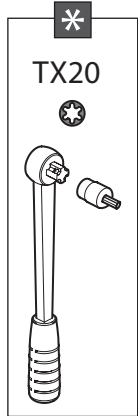
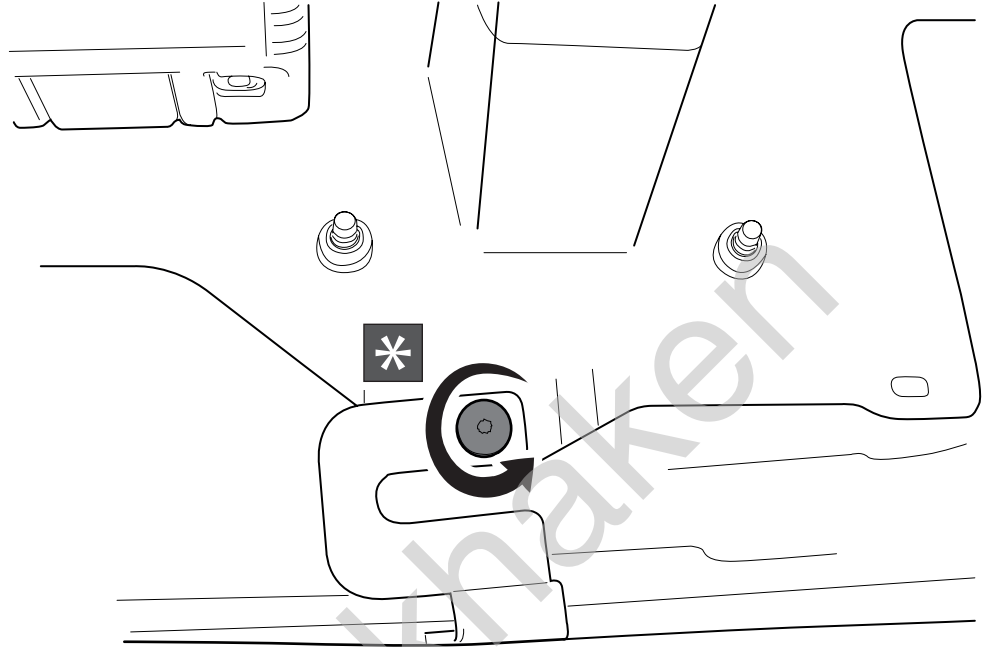
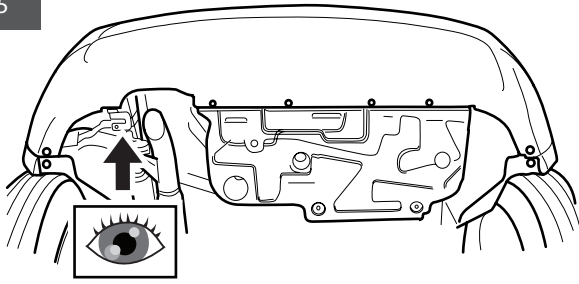


2

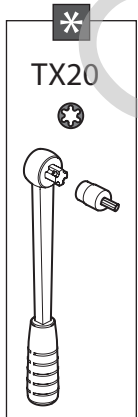
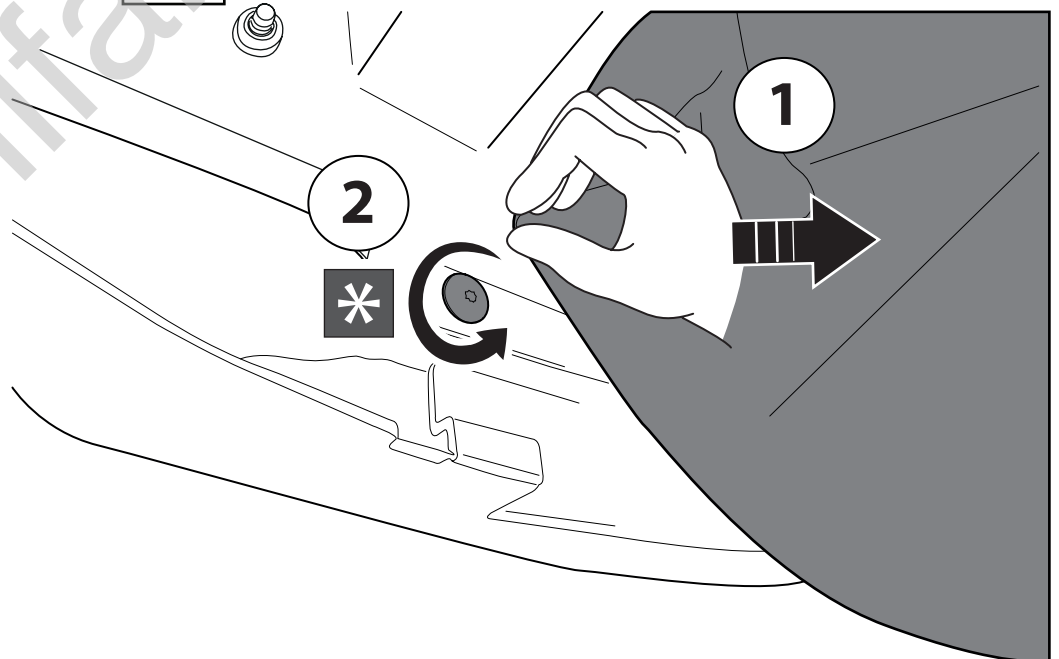
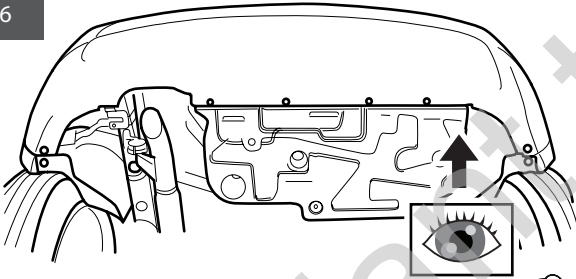


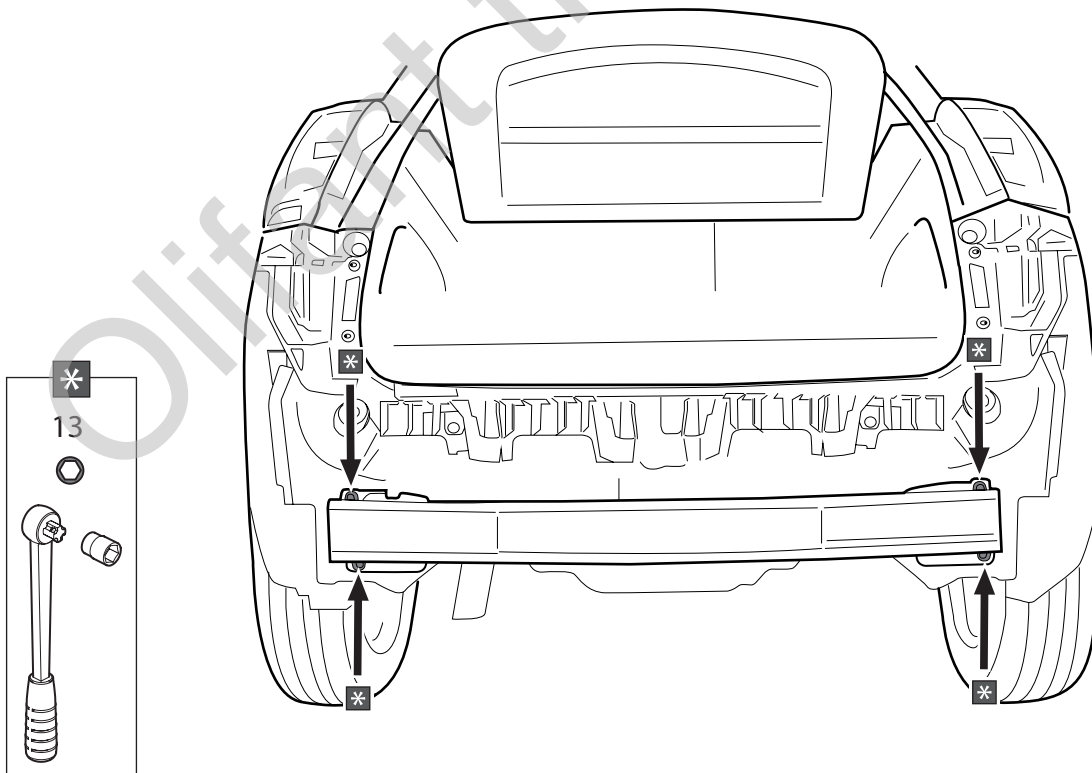
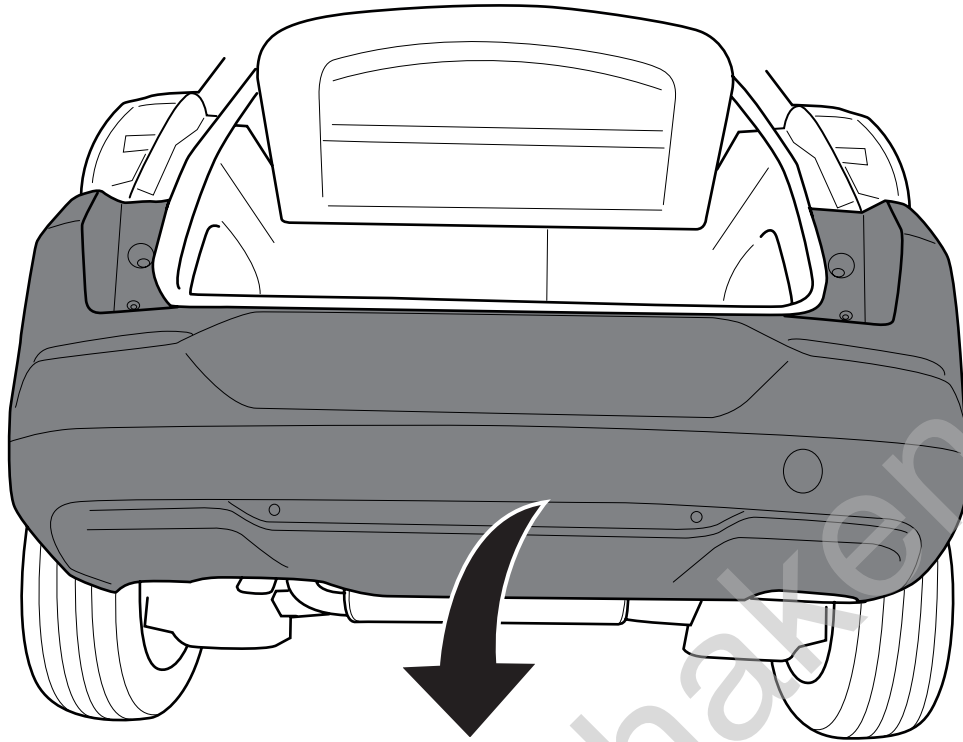


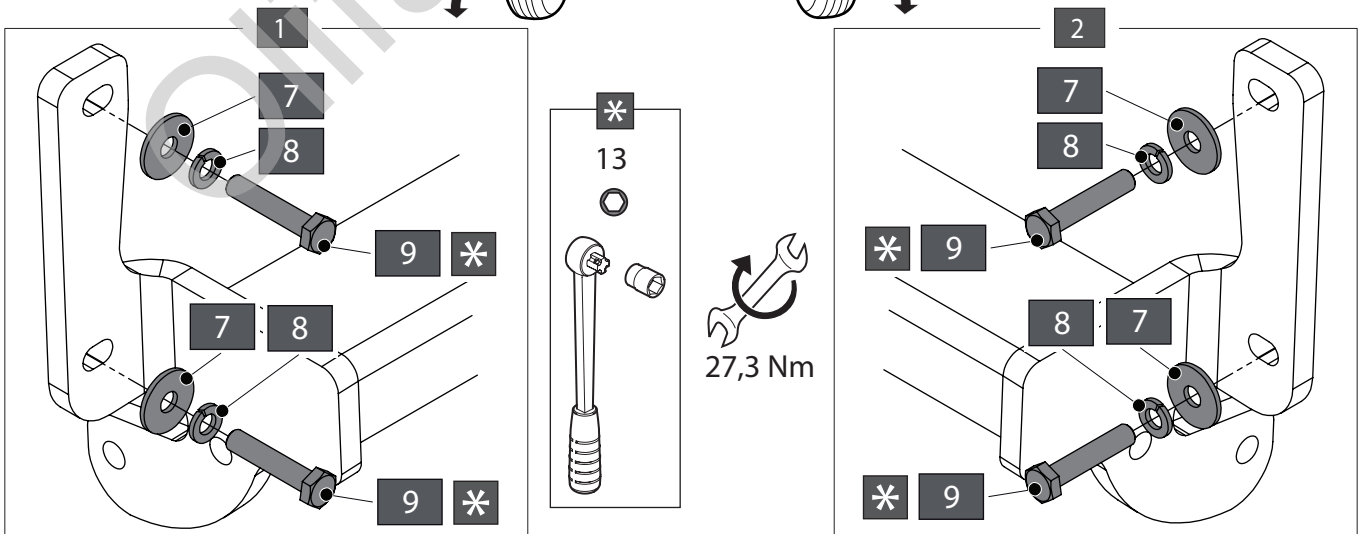
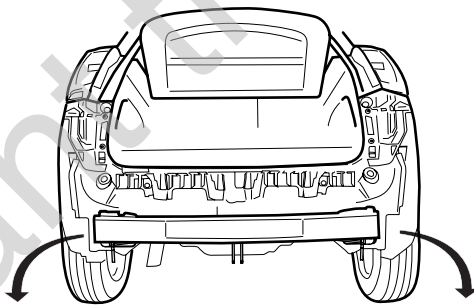
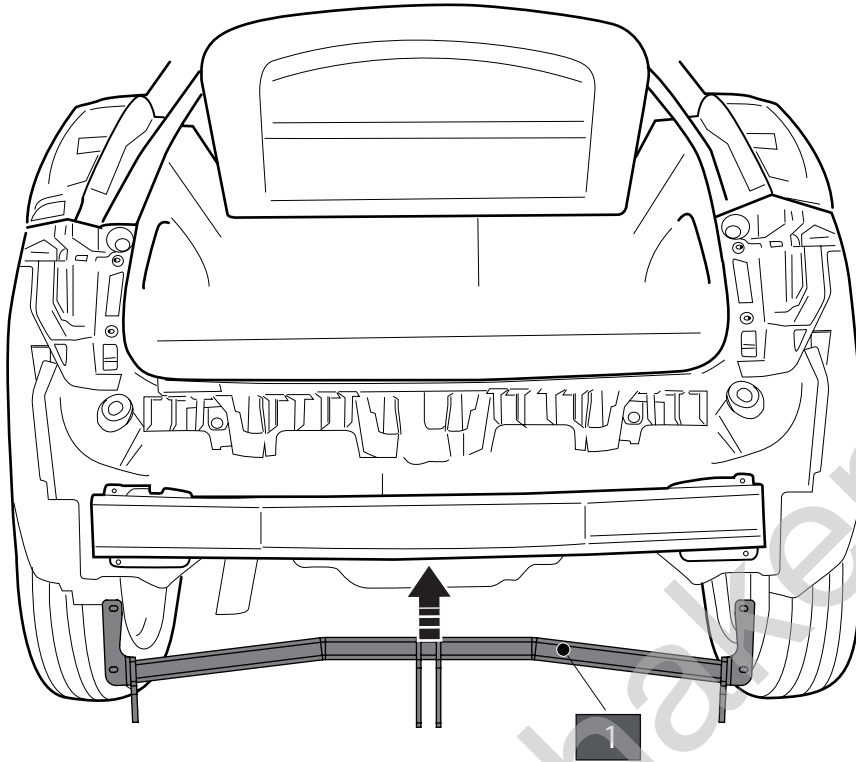
5



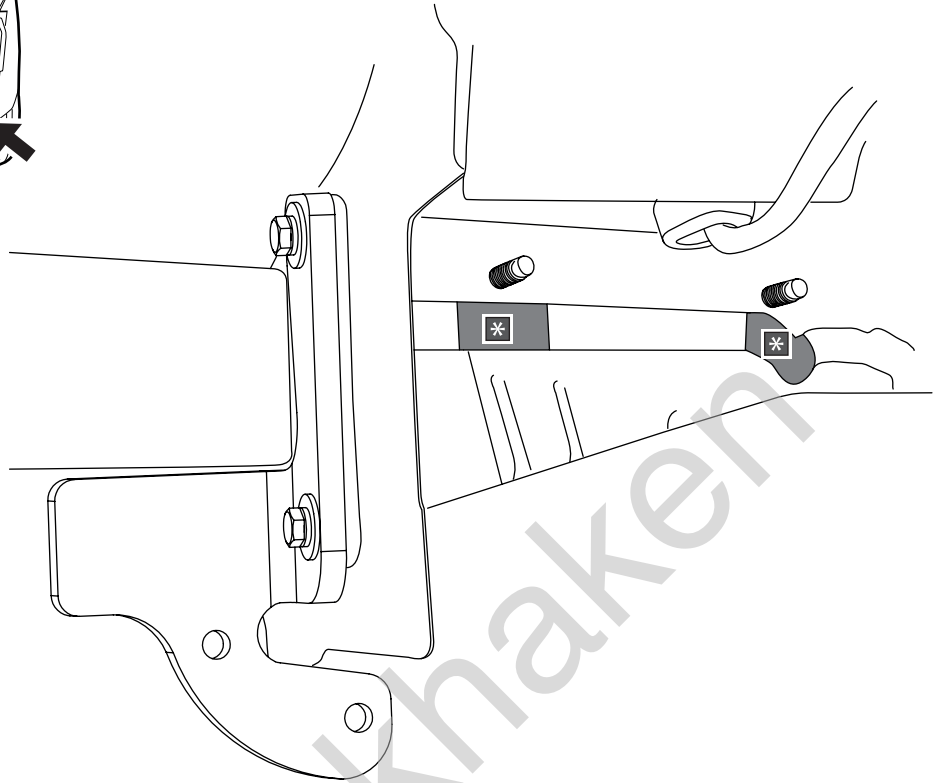
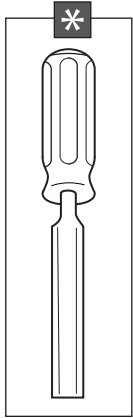
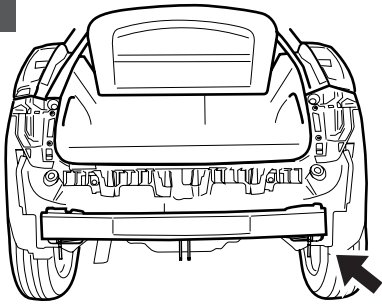
6



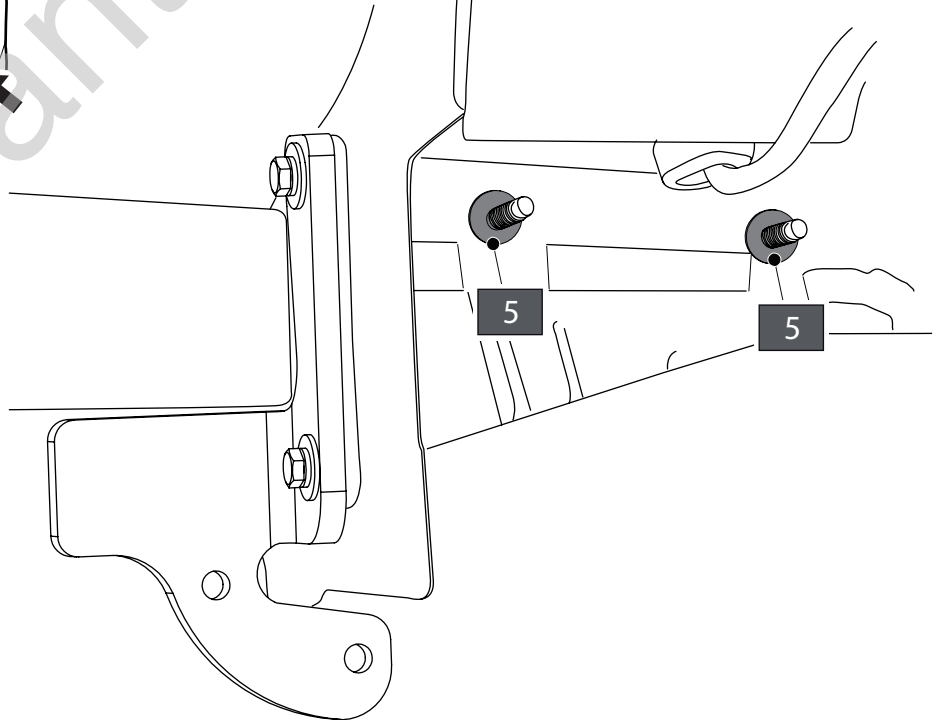
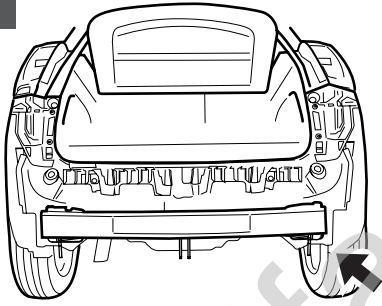




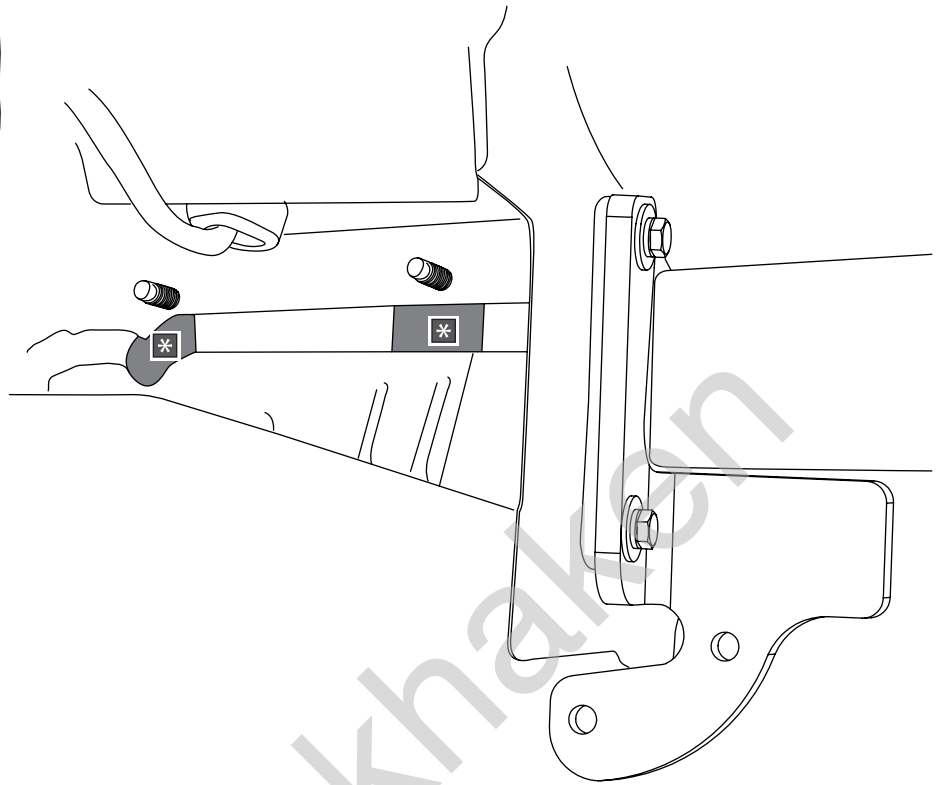
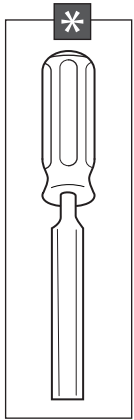
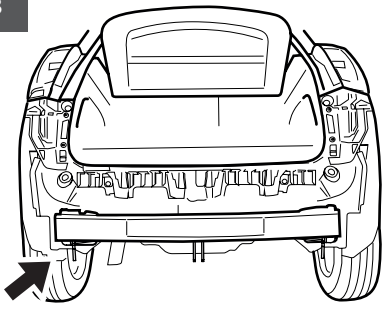
11



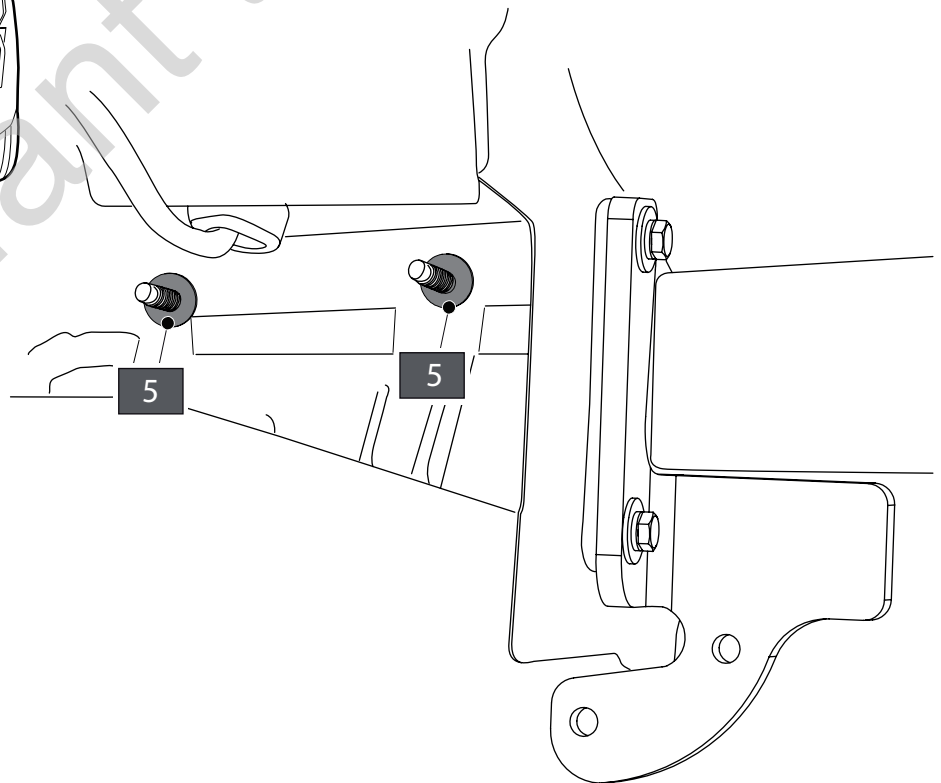
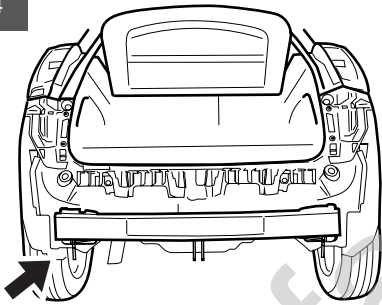
12

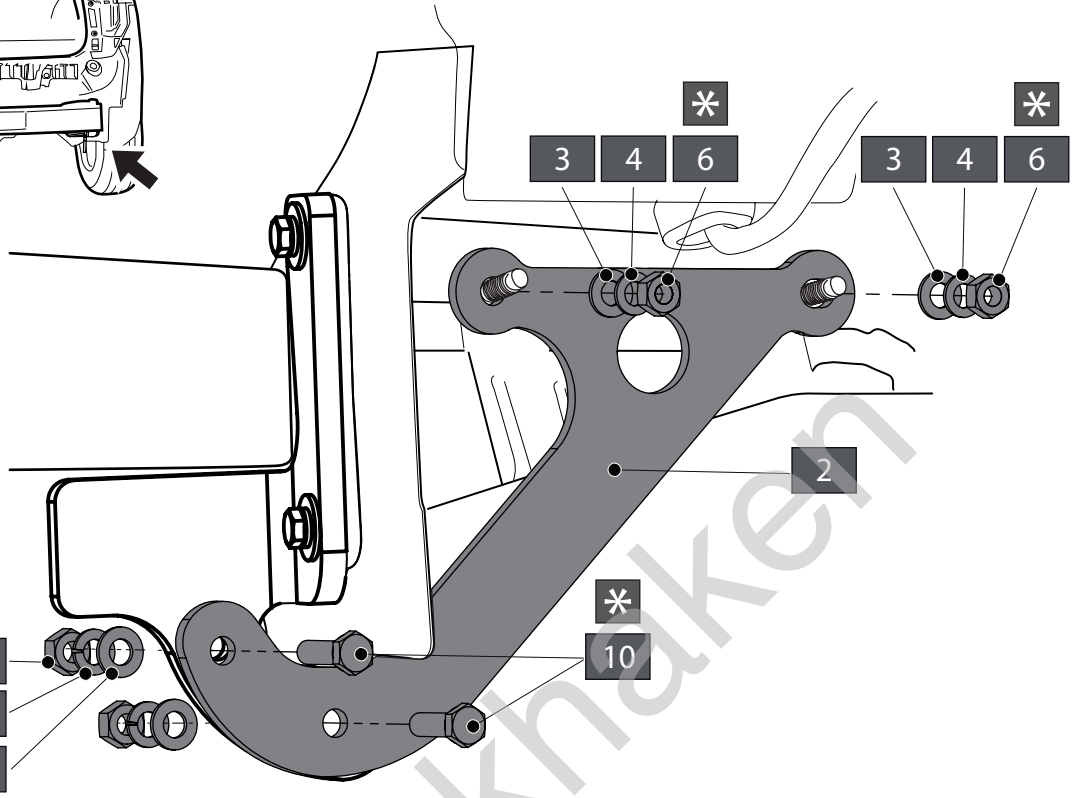
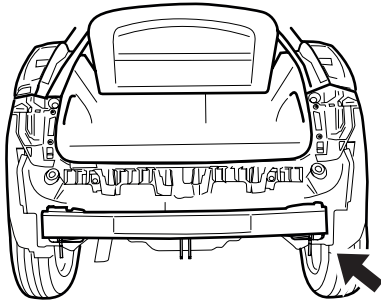


13



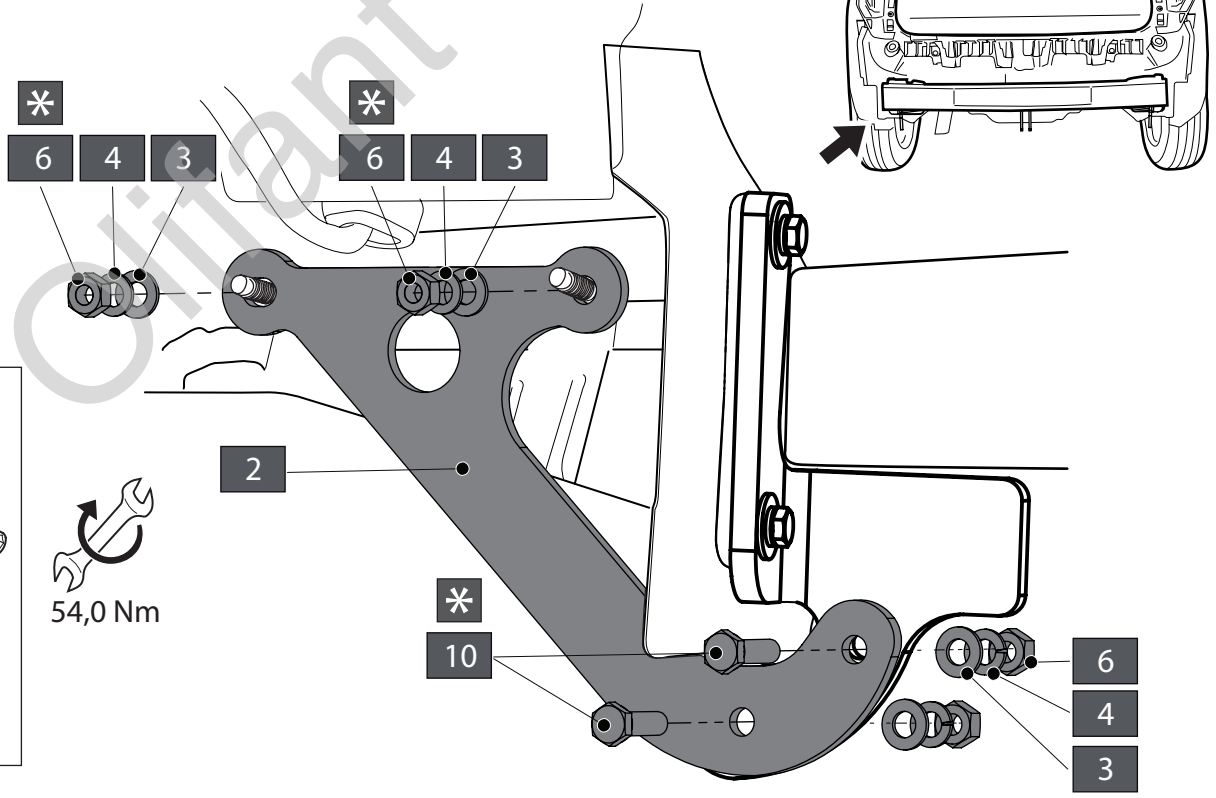
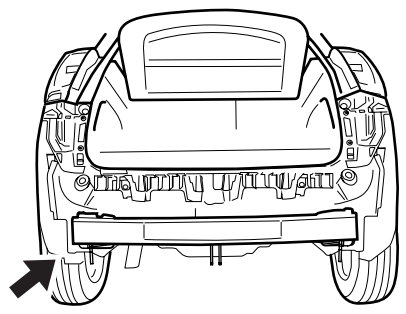
14





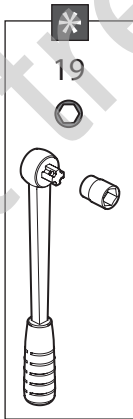
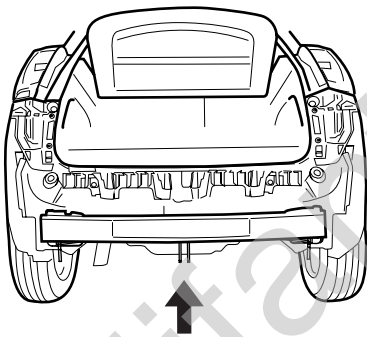
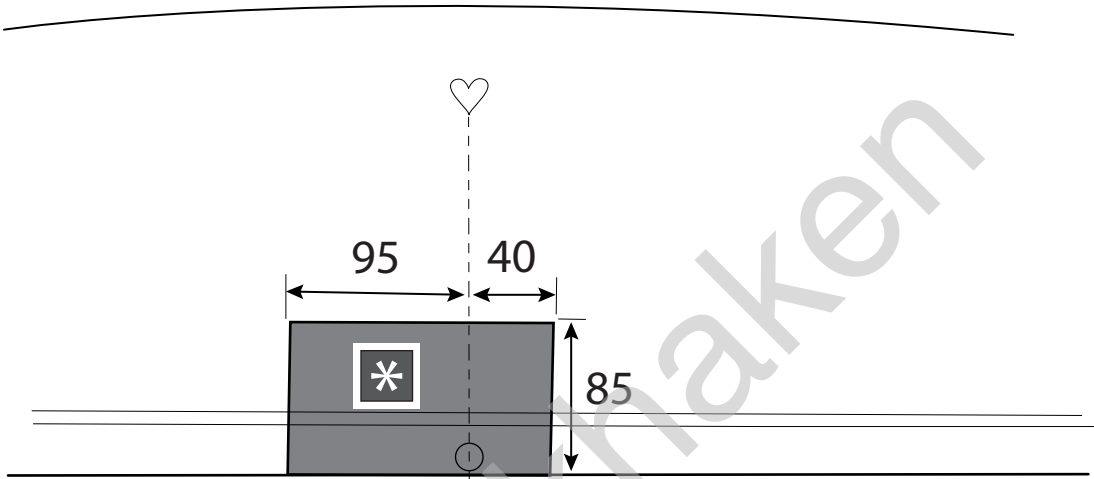
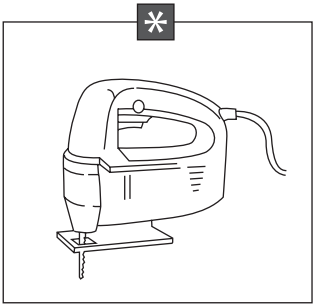
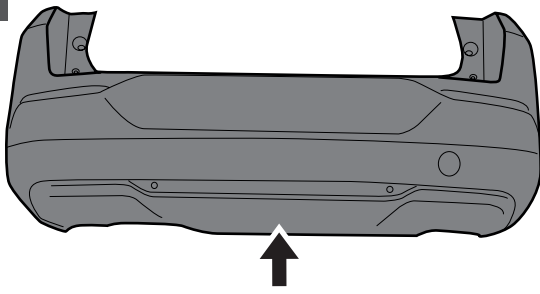
*
 17

 54,0 Nm

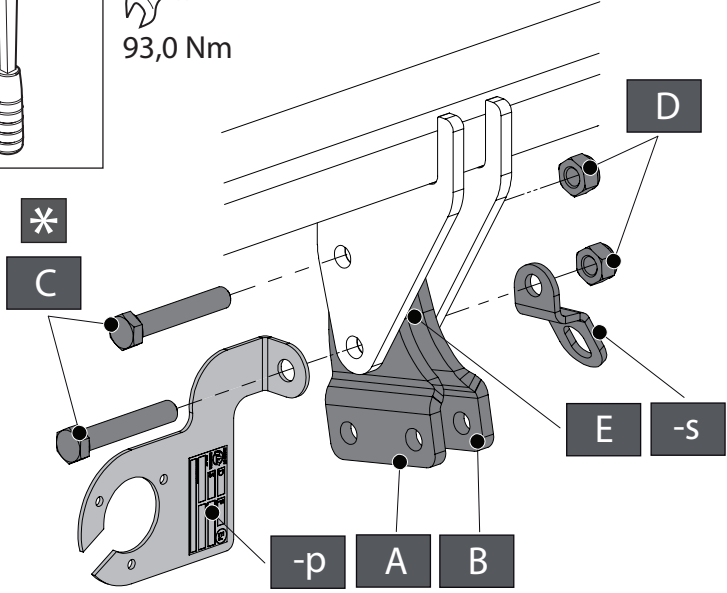


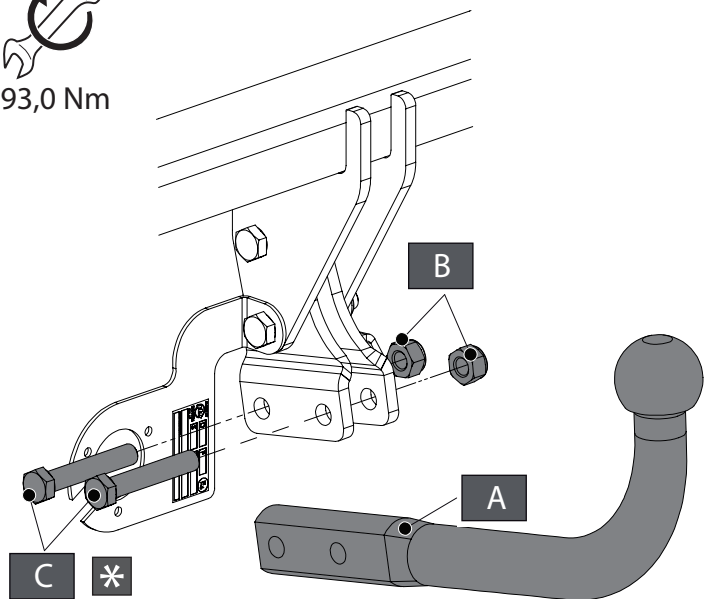
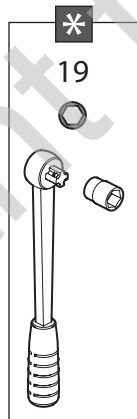
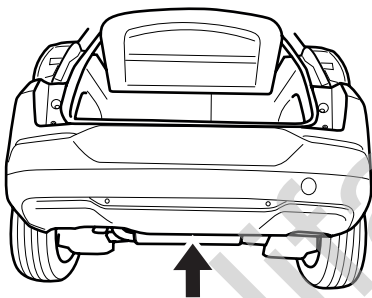
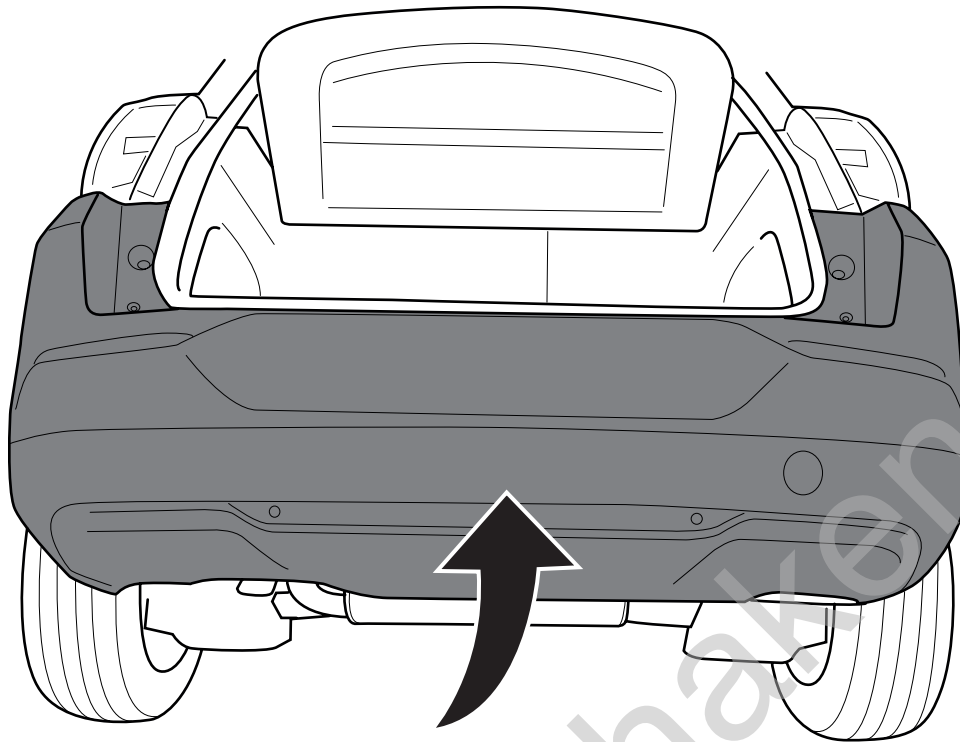
*
 17

 54,0 Nm

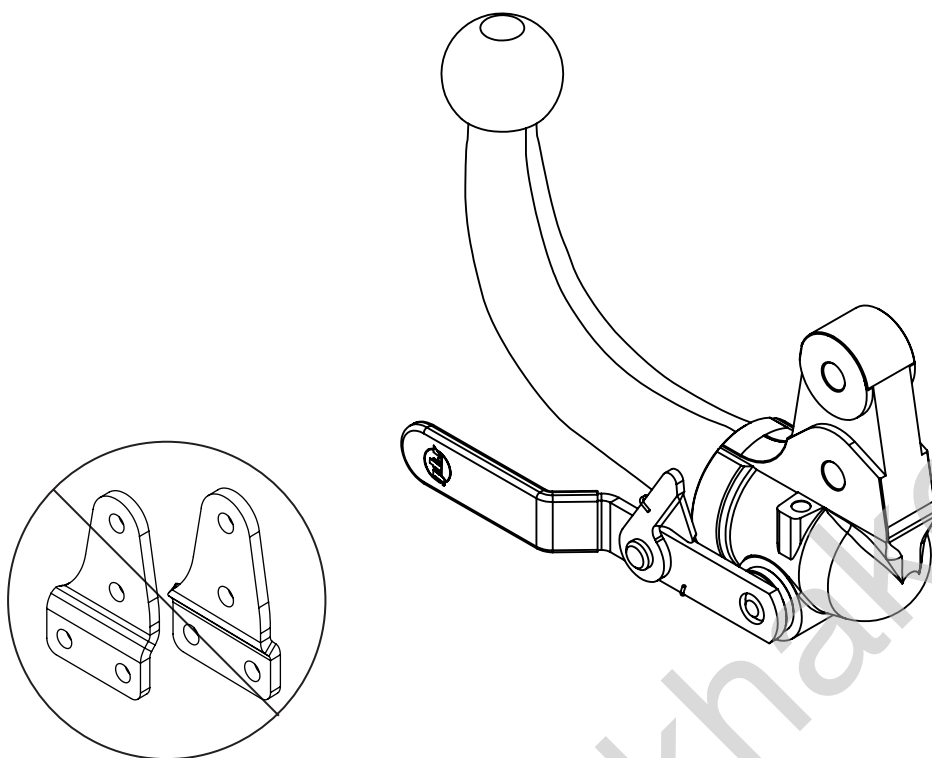


A		X1	GDW REF. 900.025
B		X1	GDW REF. 900.026
C		X2	DIN931 M12 X 70
D		X2	DIN985 M12
E		X2	GDW REF. 900.011
-S		X1	GDW REF. 900.053
-P		X1	GDW REF. PO4





A		X1	944.PL000
B		X2	DIN985-M12
C		X2	DIN931-M12 X 70



!

