

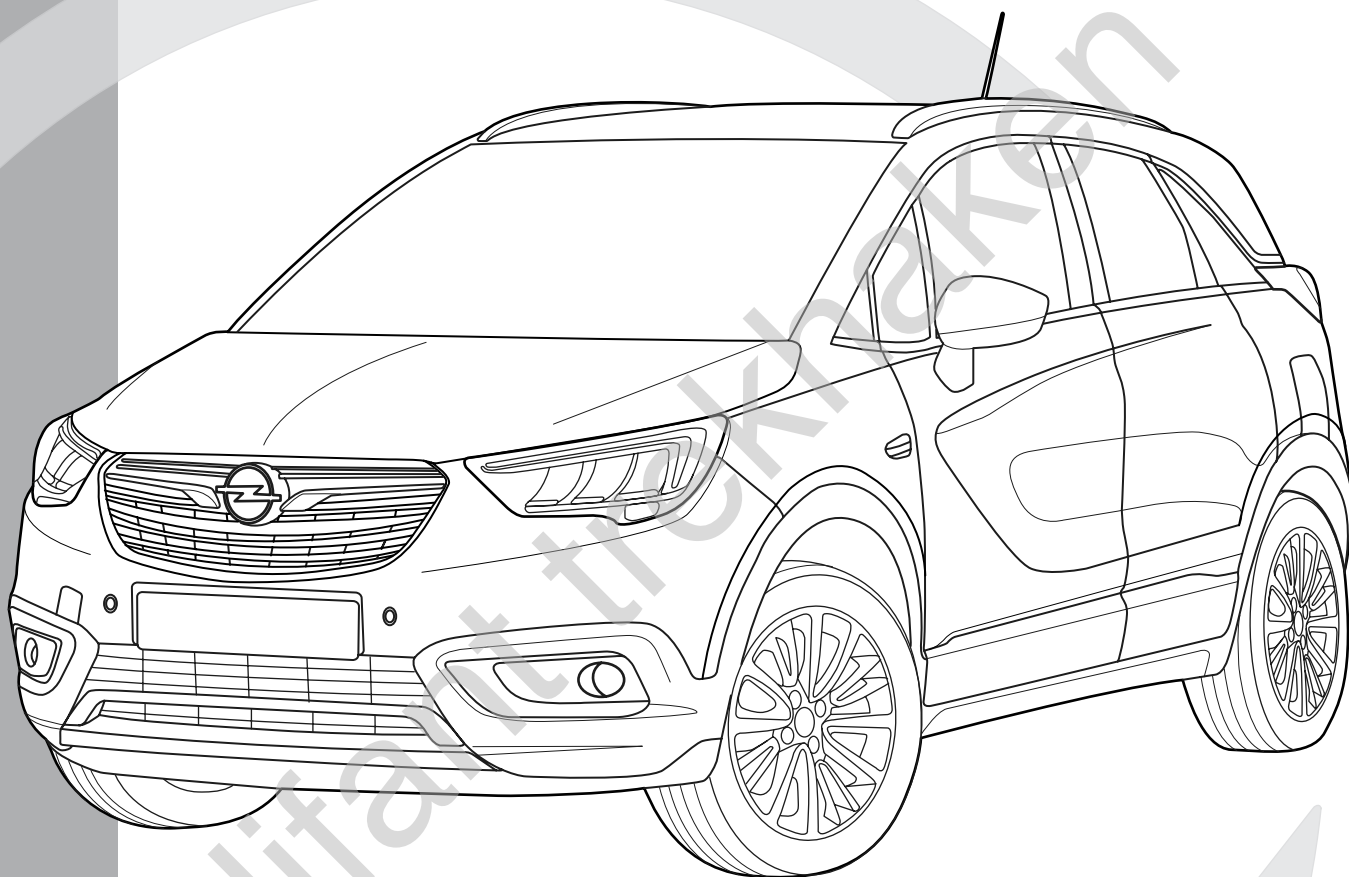


TREKHAKEN • ATTELAGES • ANHÄNGERVORRICHTUNGEN • TOWBARS • ENHANCES • ANHÆNGERTRÆK  
Montagehandleiding | instructions de montage | Einbauanleitung | Mounting instruction  
Instrucciones de montaje | monteringsvejledning




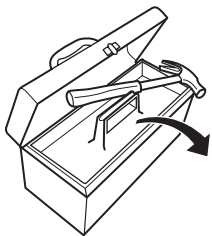
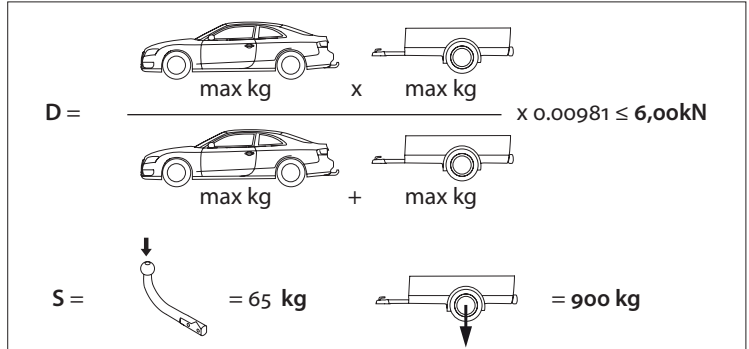
# Opel Crossland X

'17-



See the Certificate Of Conformity (COC) of your vehicle or contact your dealer to verify the max. trailer weight of your car!

MADE BY	D 6,00	F	E6
			
BELGIUM	S 65	EC APPROVAL N°	
		55R-011390	
REF N°	SERIE N°		
2235			
OMSCHRIJVING			
Opel Crossland X '17-			



PZ2

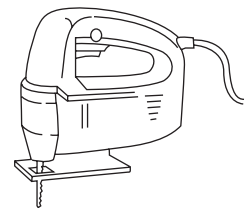
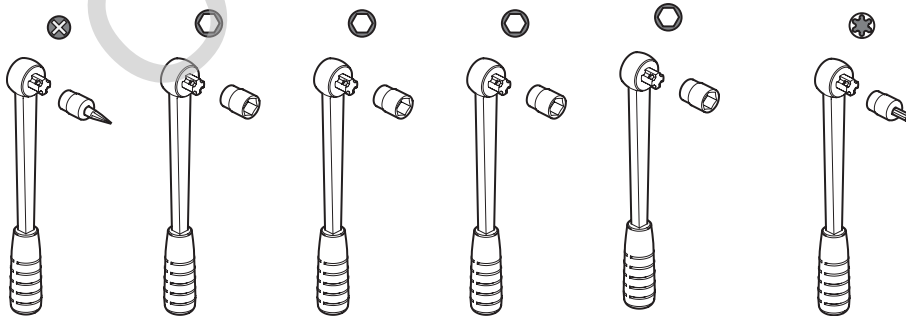
7

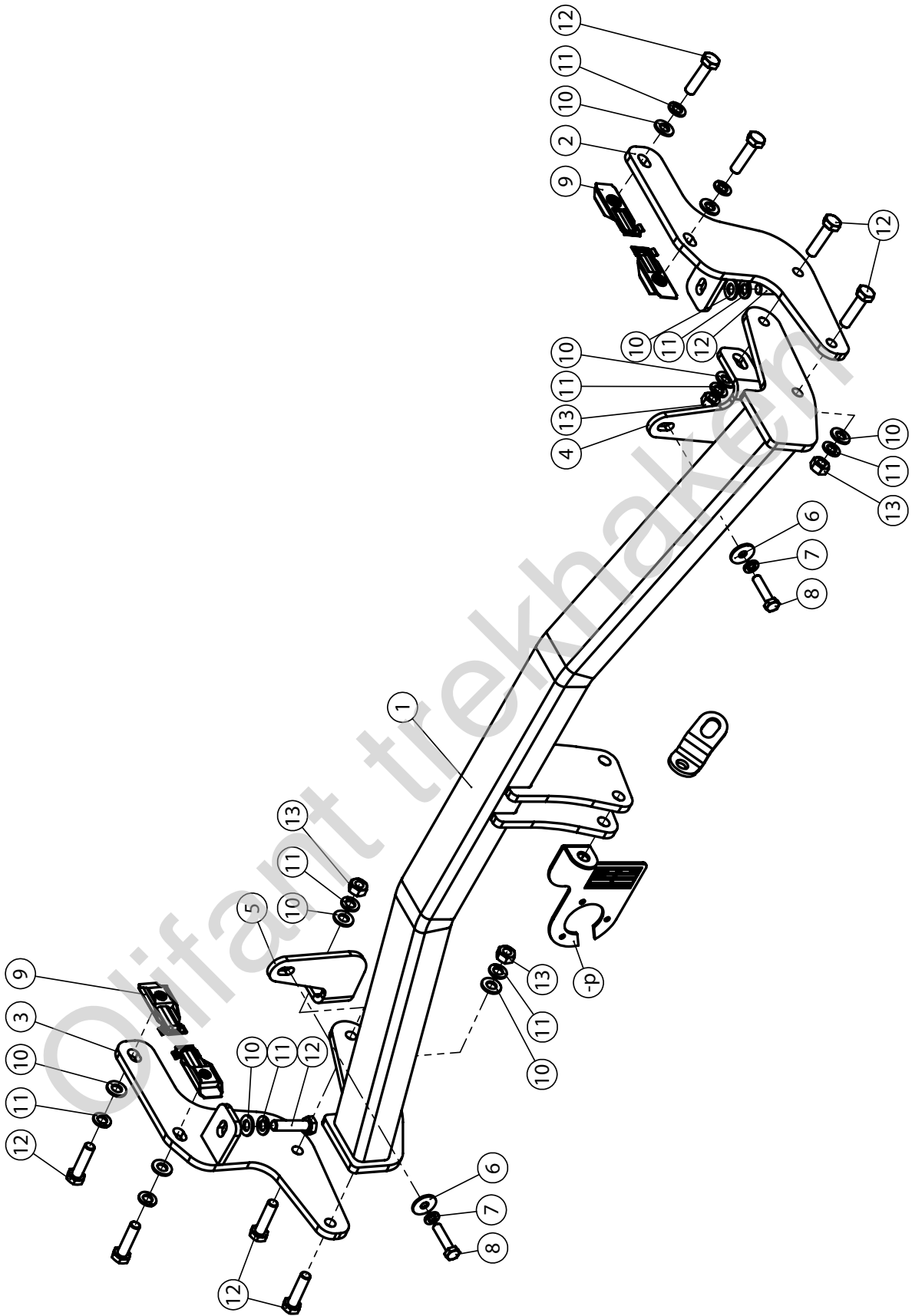
13

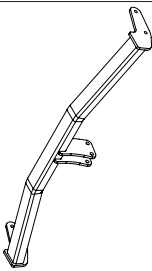
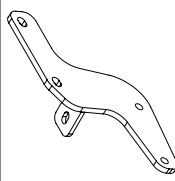
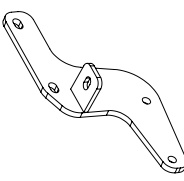










17



19

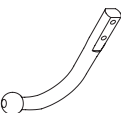
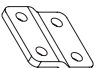

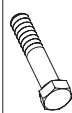

TX15



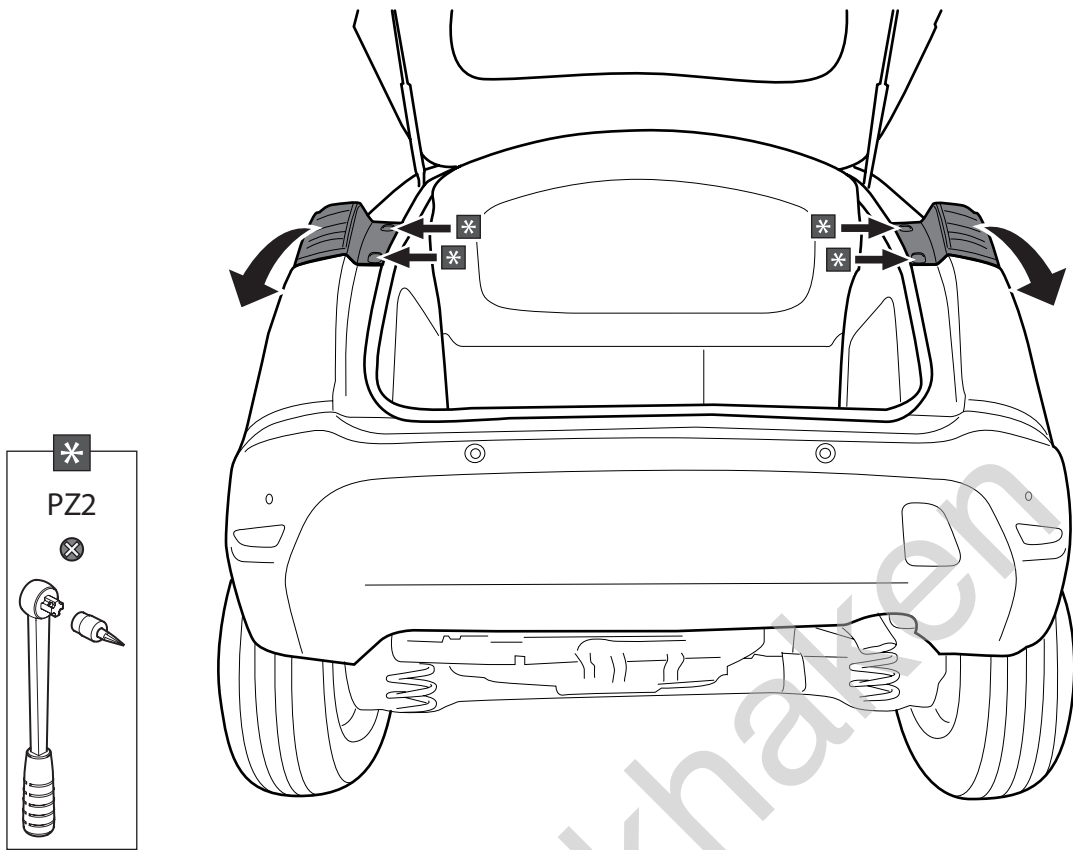


1		X1	GDW REF. 2235
2		X1	GDW REF. 2
3		X1	GDW REF. 3
4		X1	GDW REF. 4
5		X1	GDW REF. 5
6		X2	DIN9021-M8- ELVZ
7		X2	DIN 128A-M8
8		X2	DIN 933-M8x35
9		X4	KOOIMOER M10-CL4870-1-150 (REF. 721.33.10002)
10		X10	DIN125-A10-140HV- ELVZ
11		X10	DIN 128A-M10
12		X10	DIN 933-M10x35
13		X4	DIN 934-M10

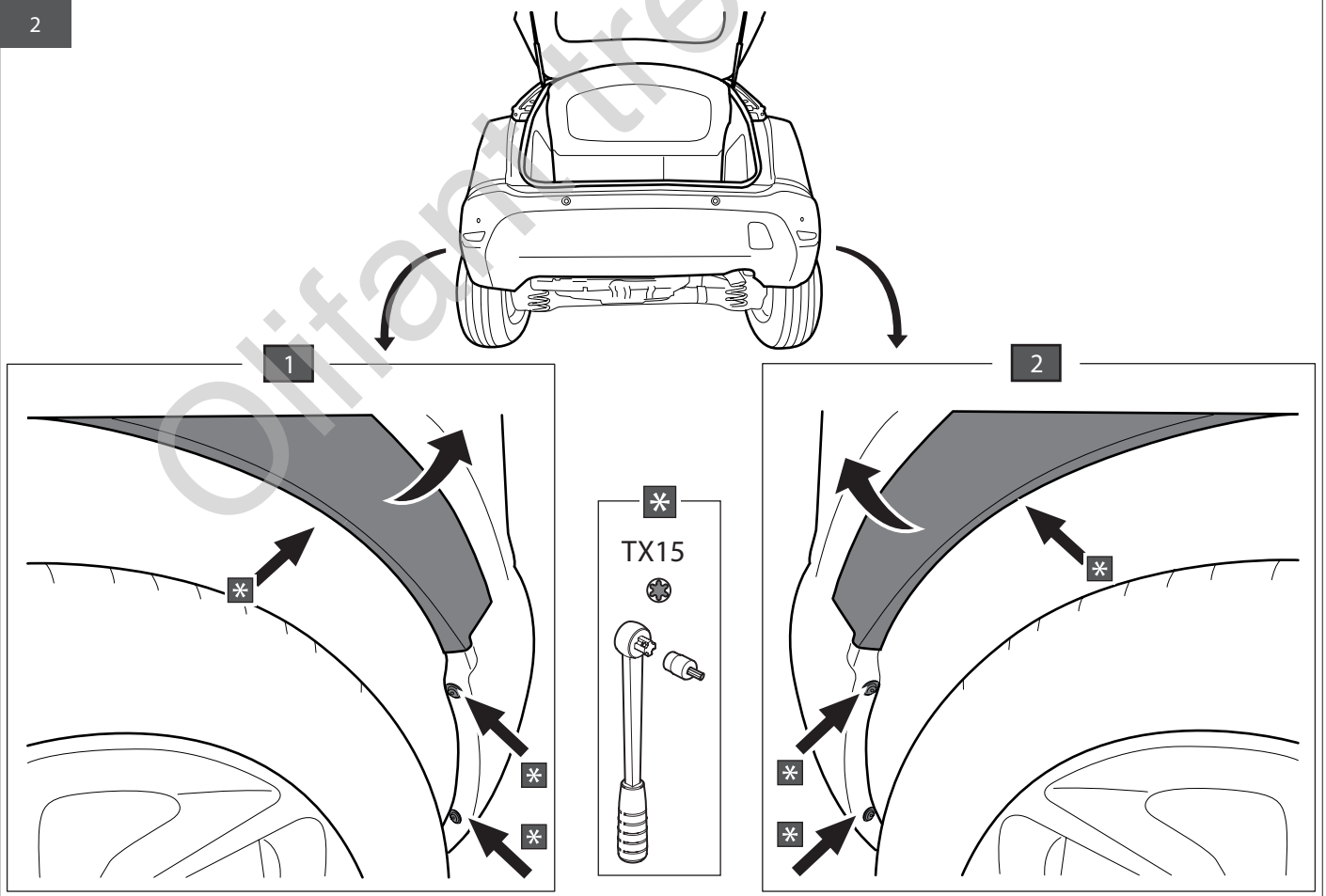
-S		X1	GDW REF. 900.053-010
-P		X1	Po4

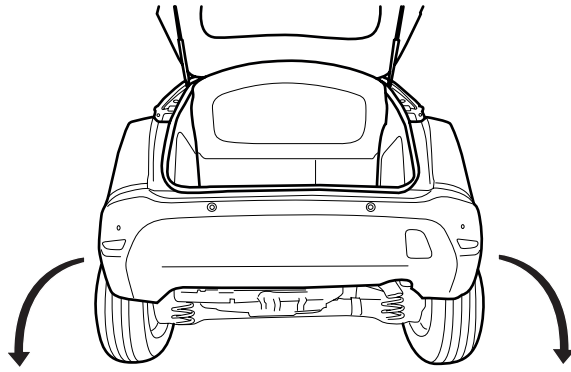
Geleverd met - Livré avec - Delivered with Geliefert mit - Elementos adjuntos-Leveres med		X1	944-M004
		X2	GDW REF. 900.008
		X2	GDW REF. 900.011 Ø 21.3 X 11.7
		X4	DIN931-M12 X 70
		X4	DIN985-M12

1

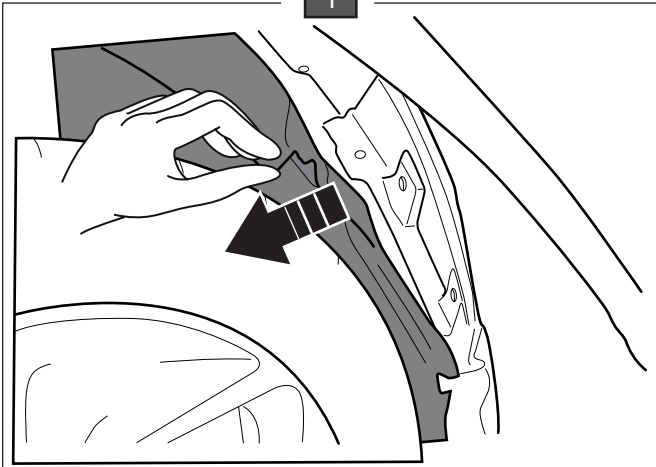


2

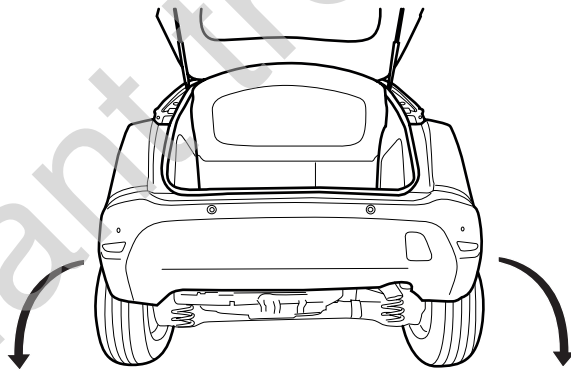
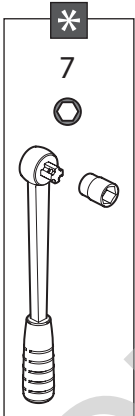
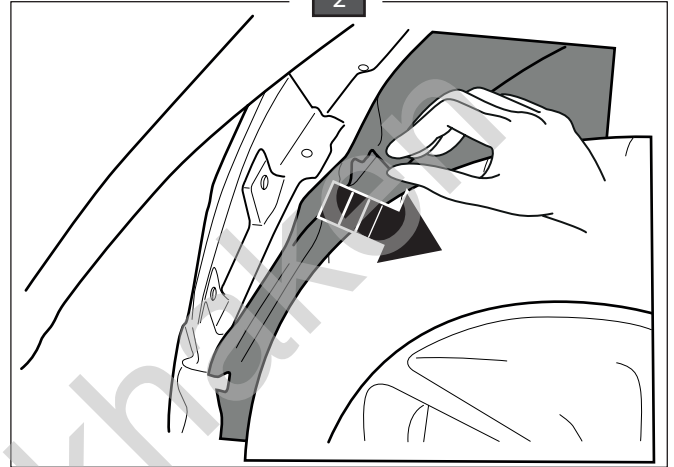




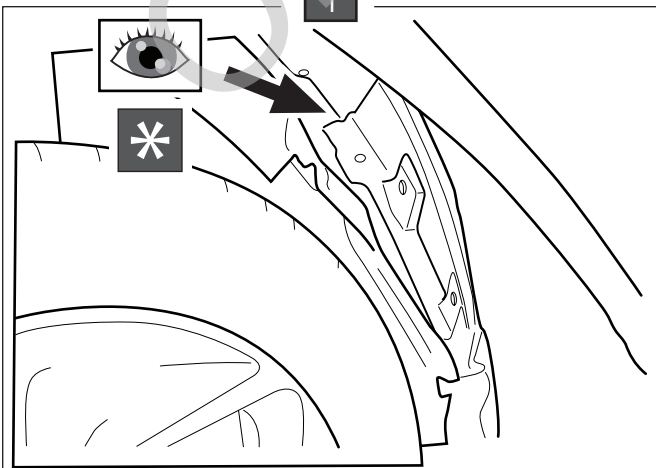
1



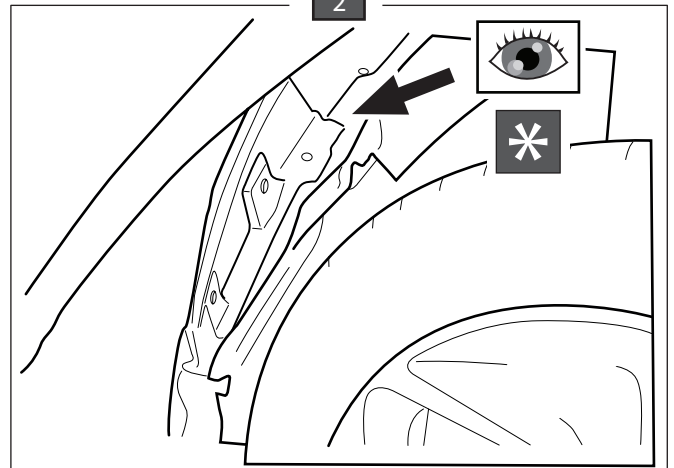
2



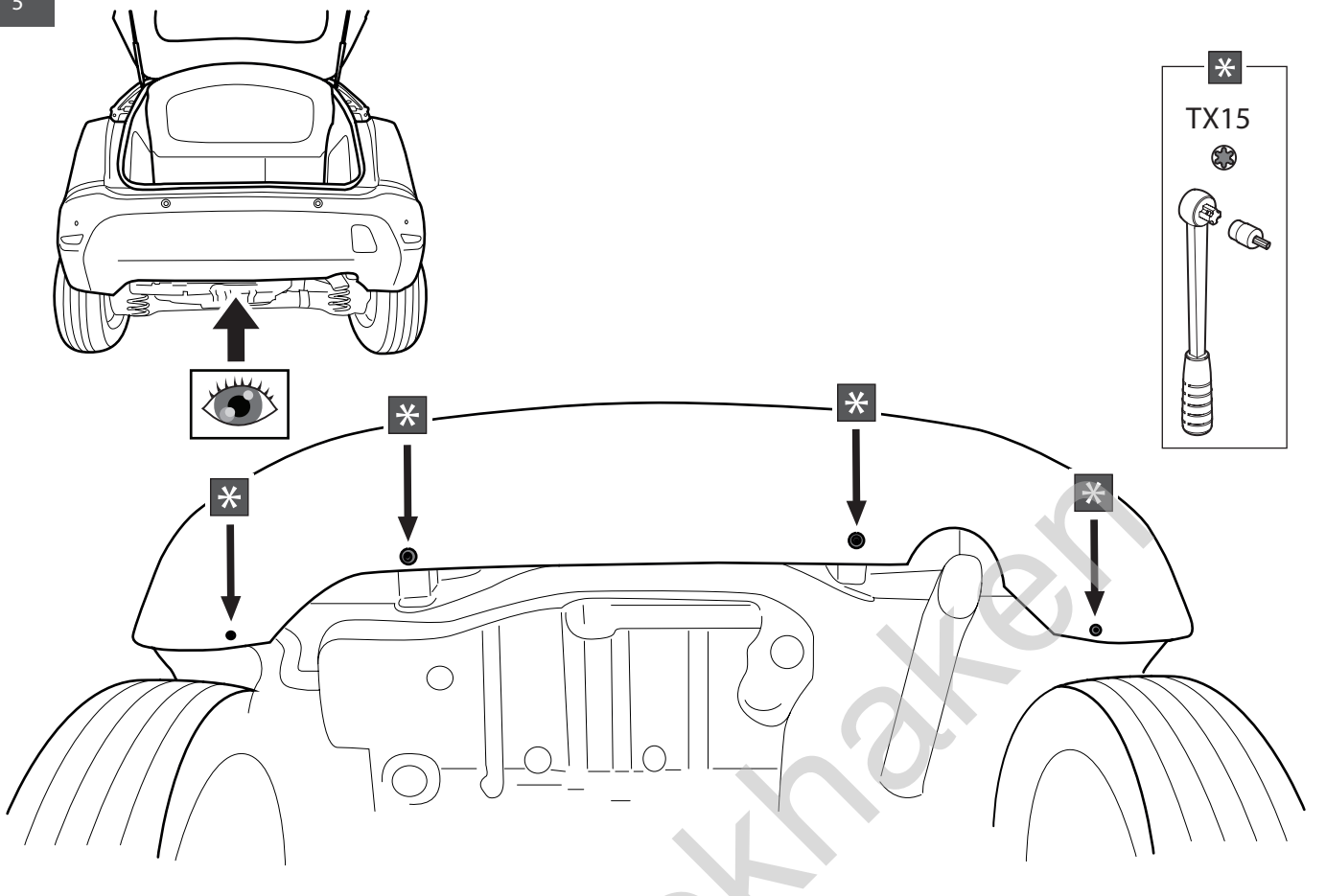
1



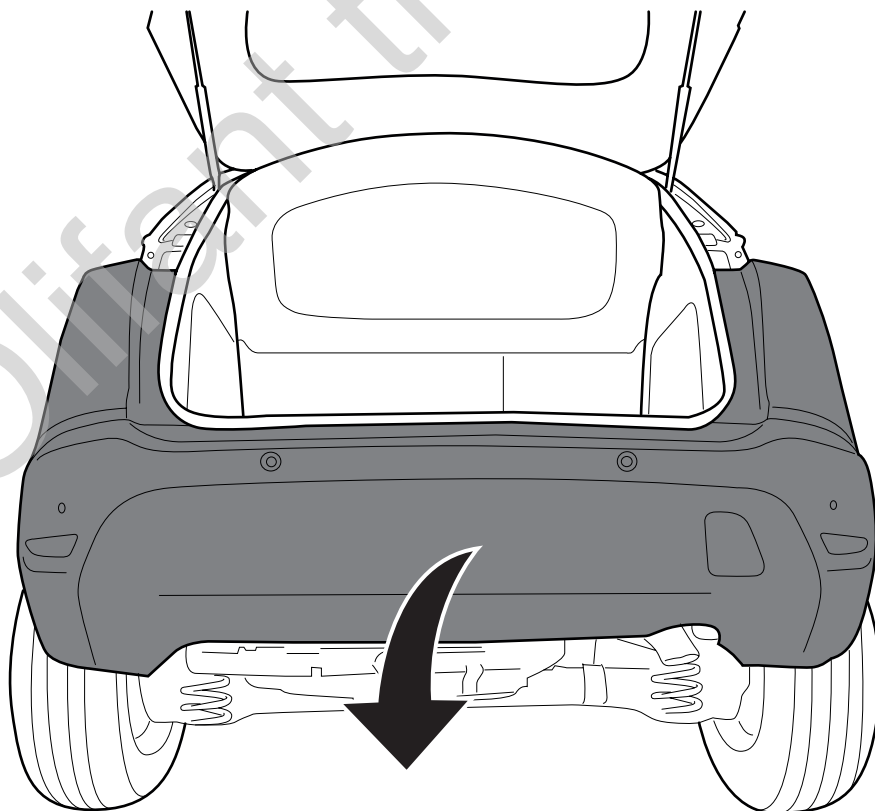
2

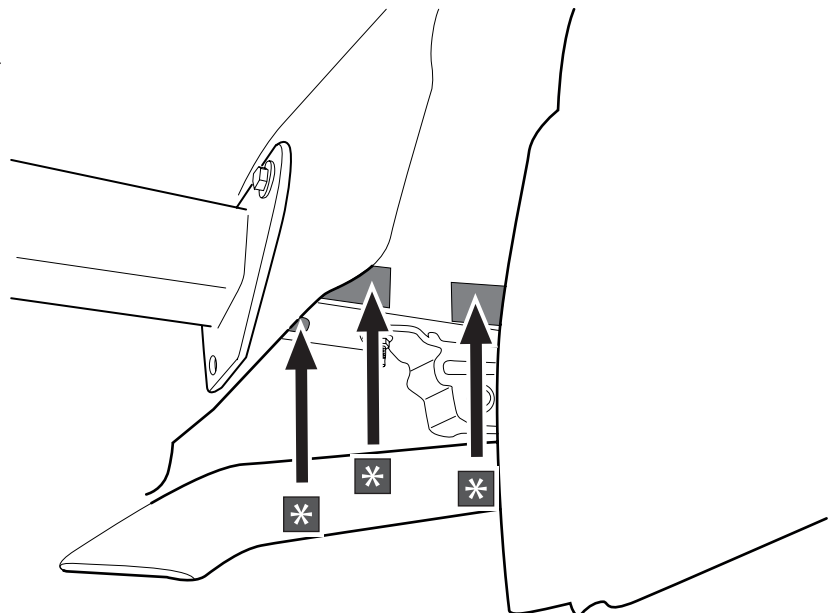
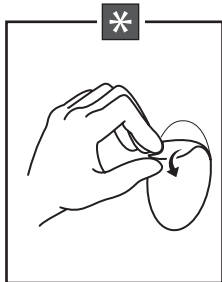
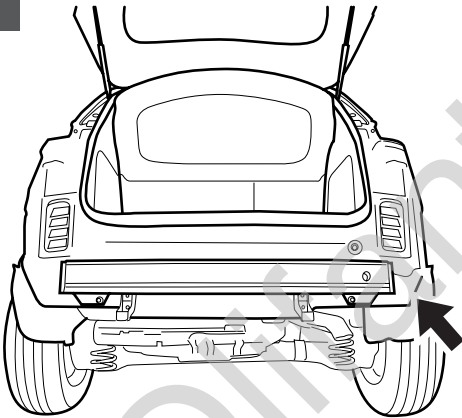
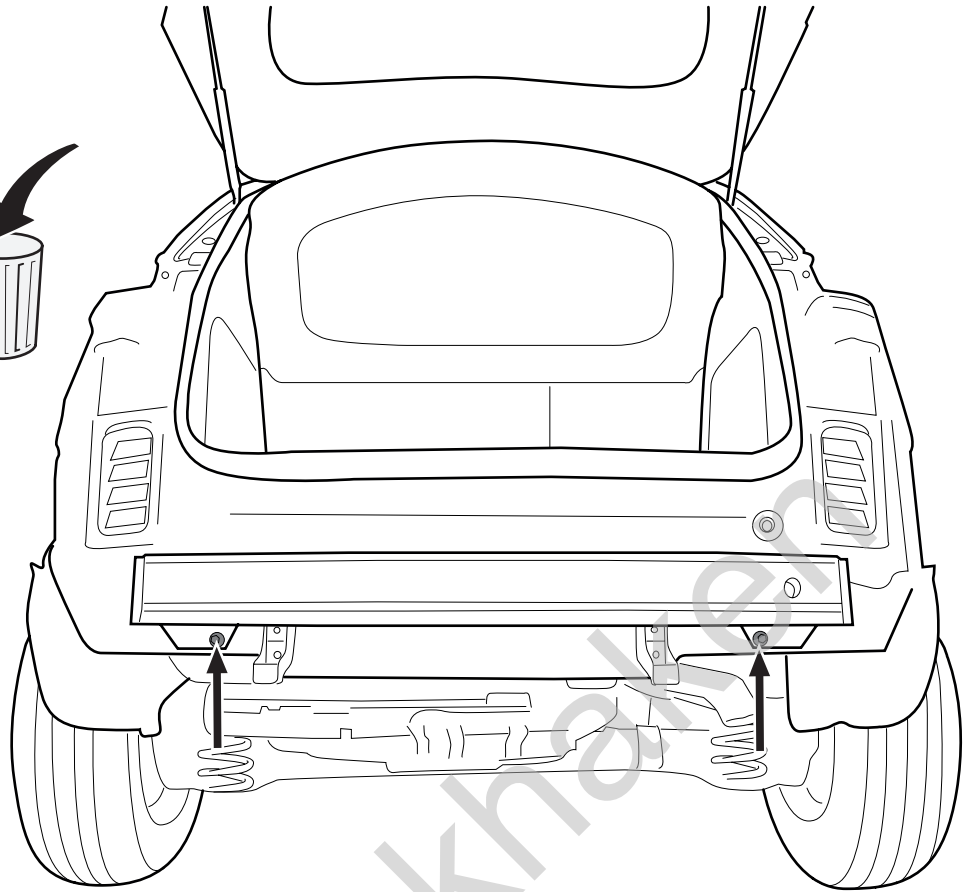
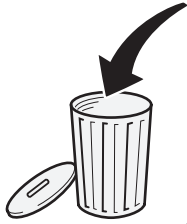
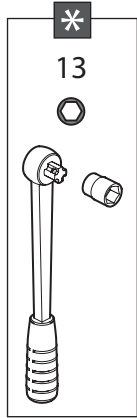


5

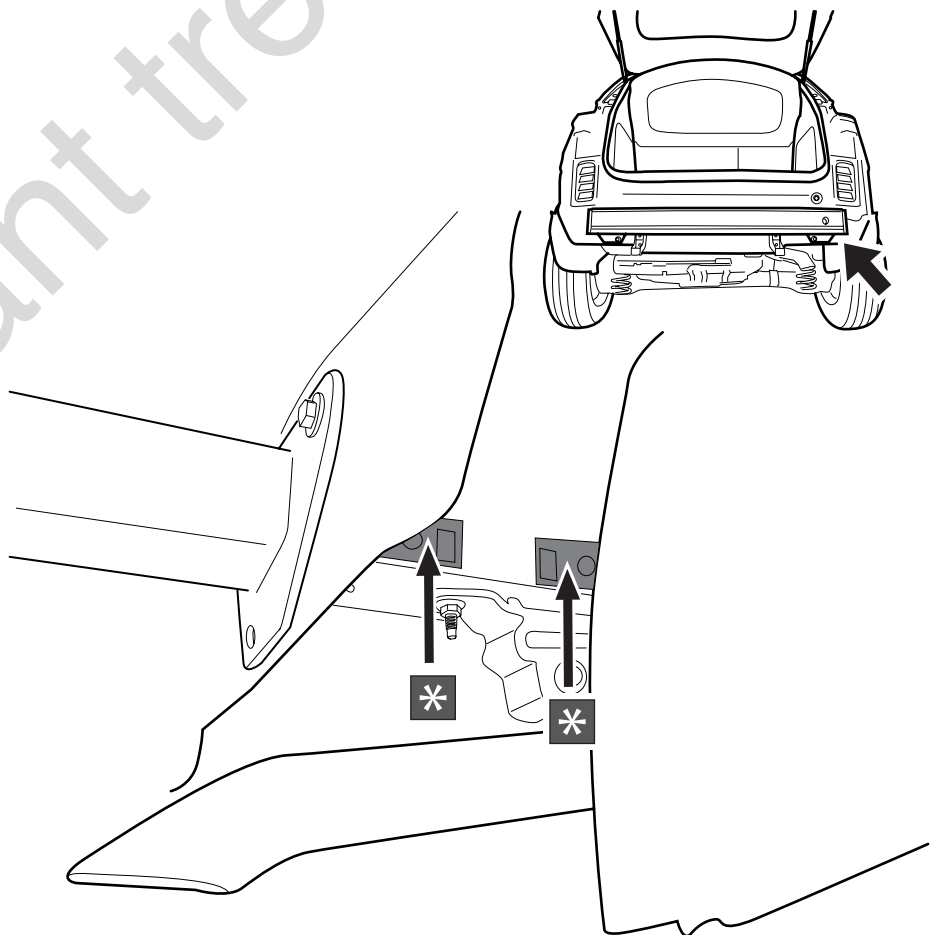
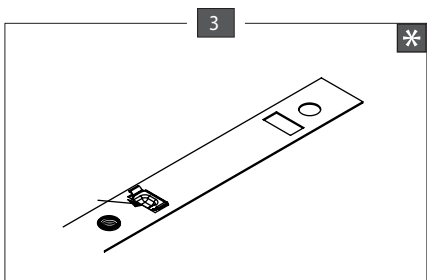
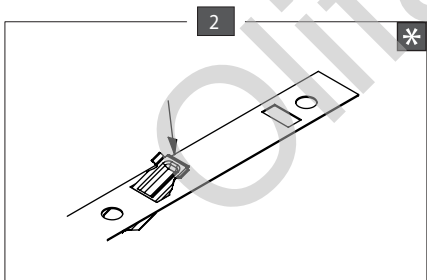
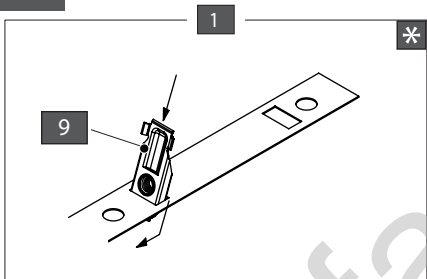
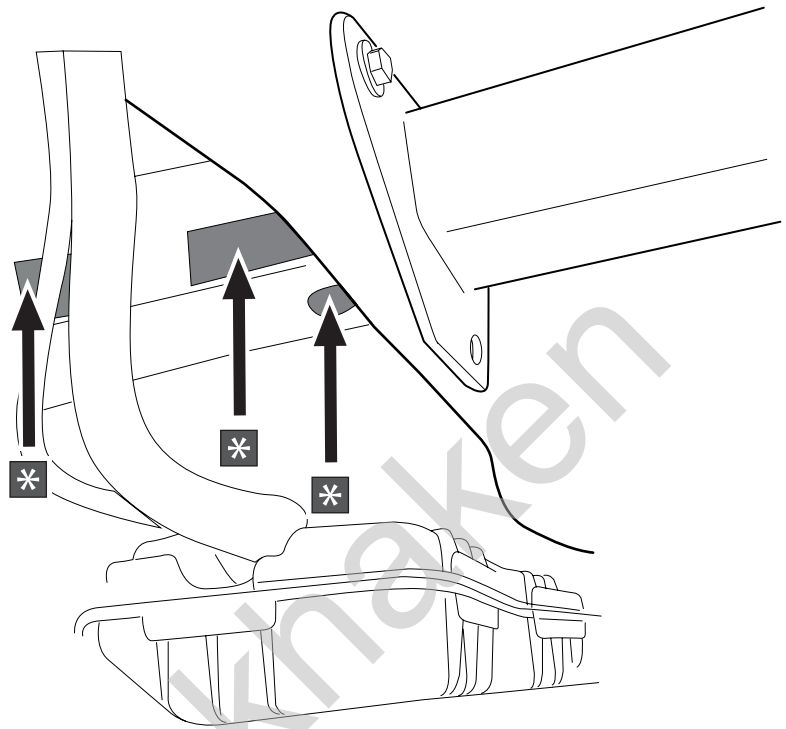
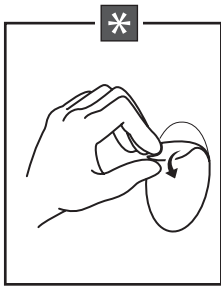
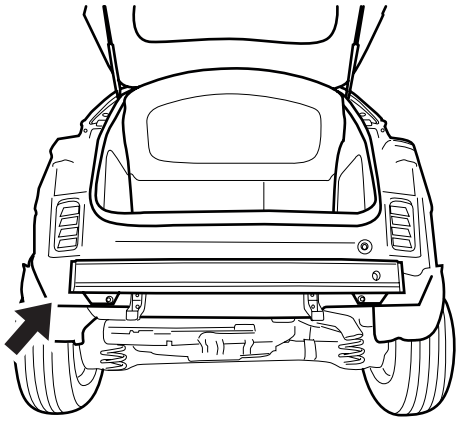


6

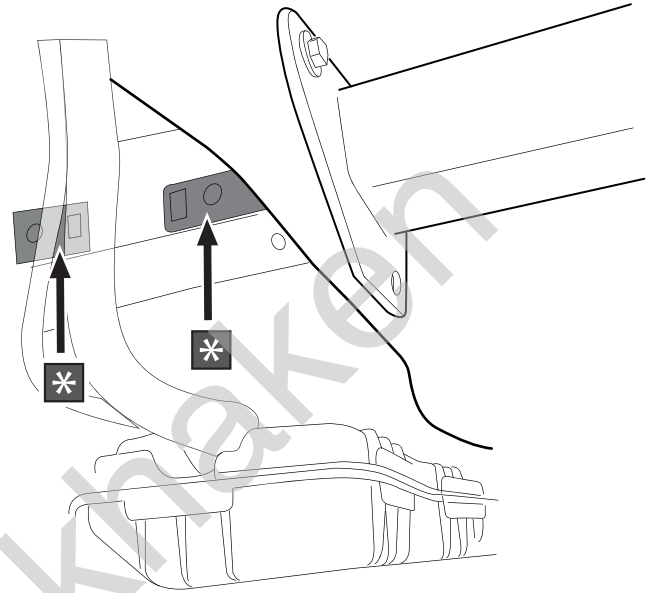
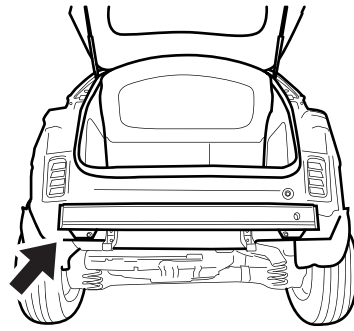
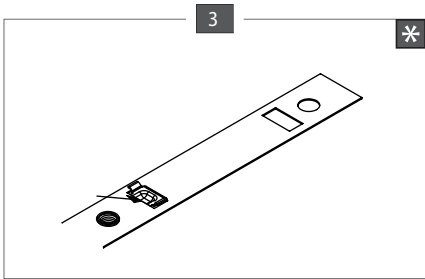
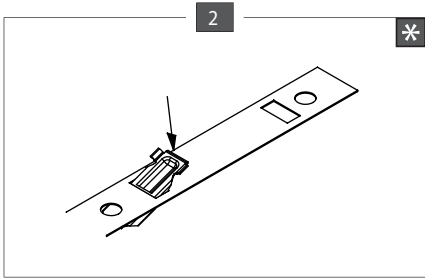
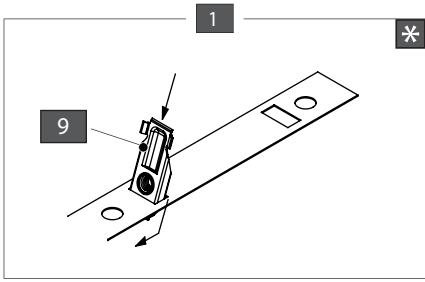




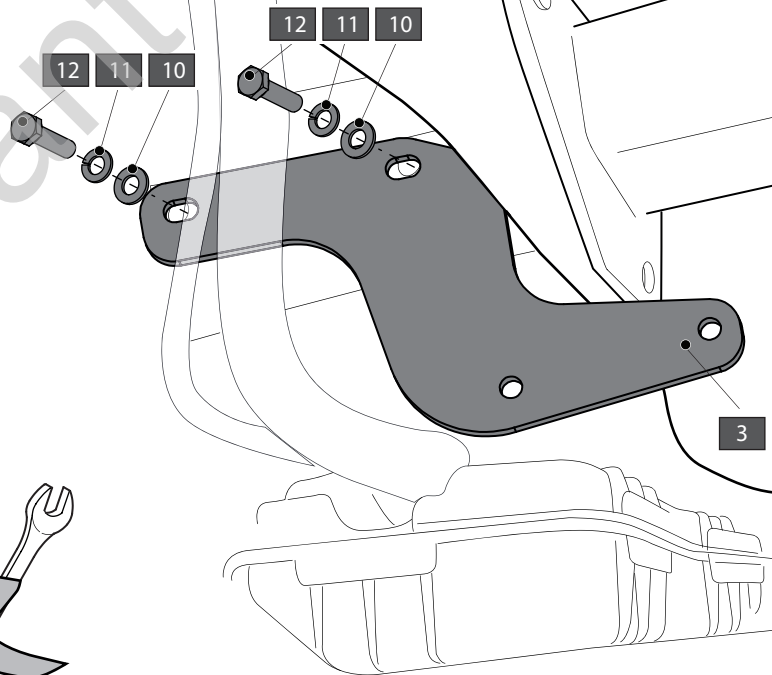
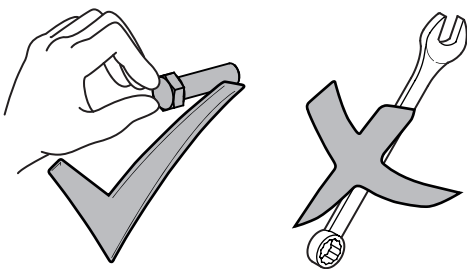
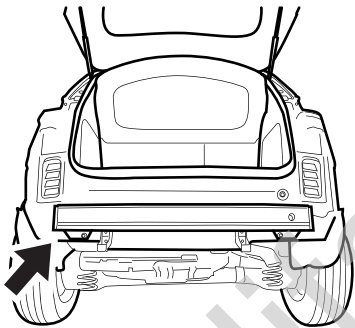


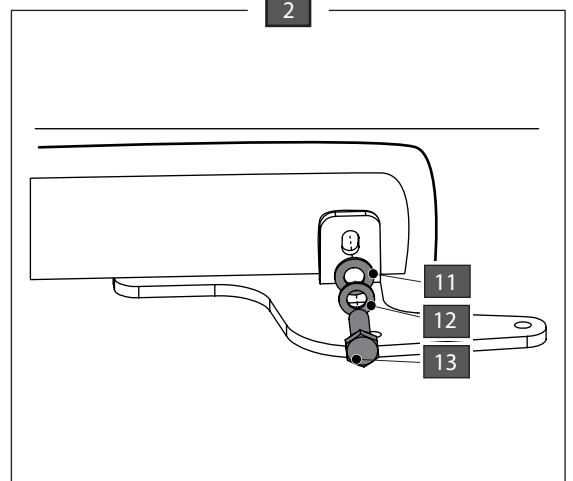
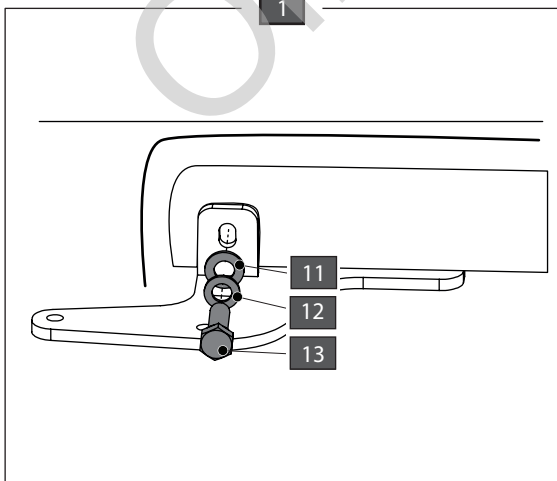
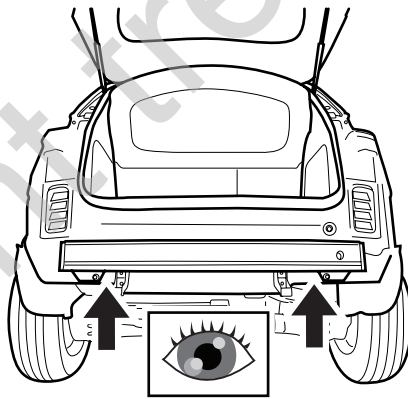
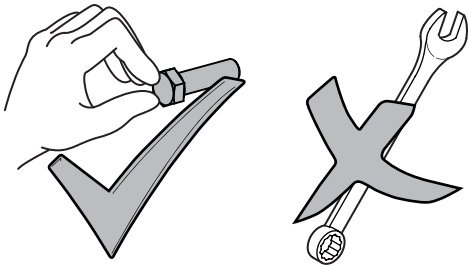
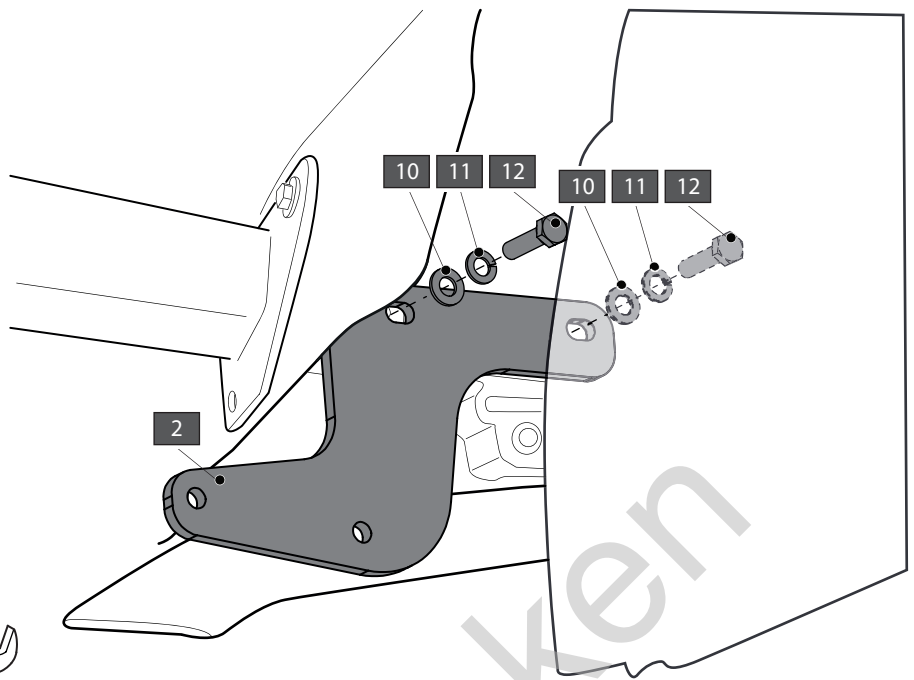
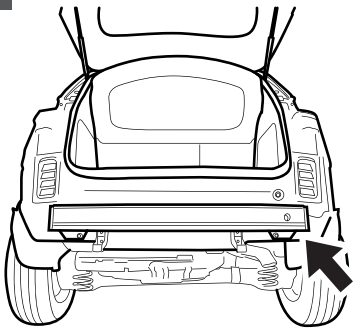


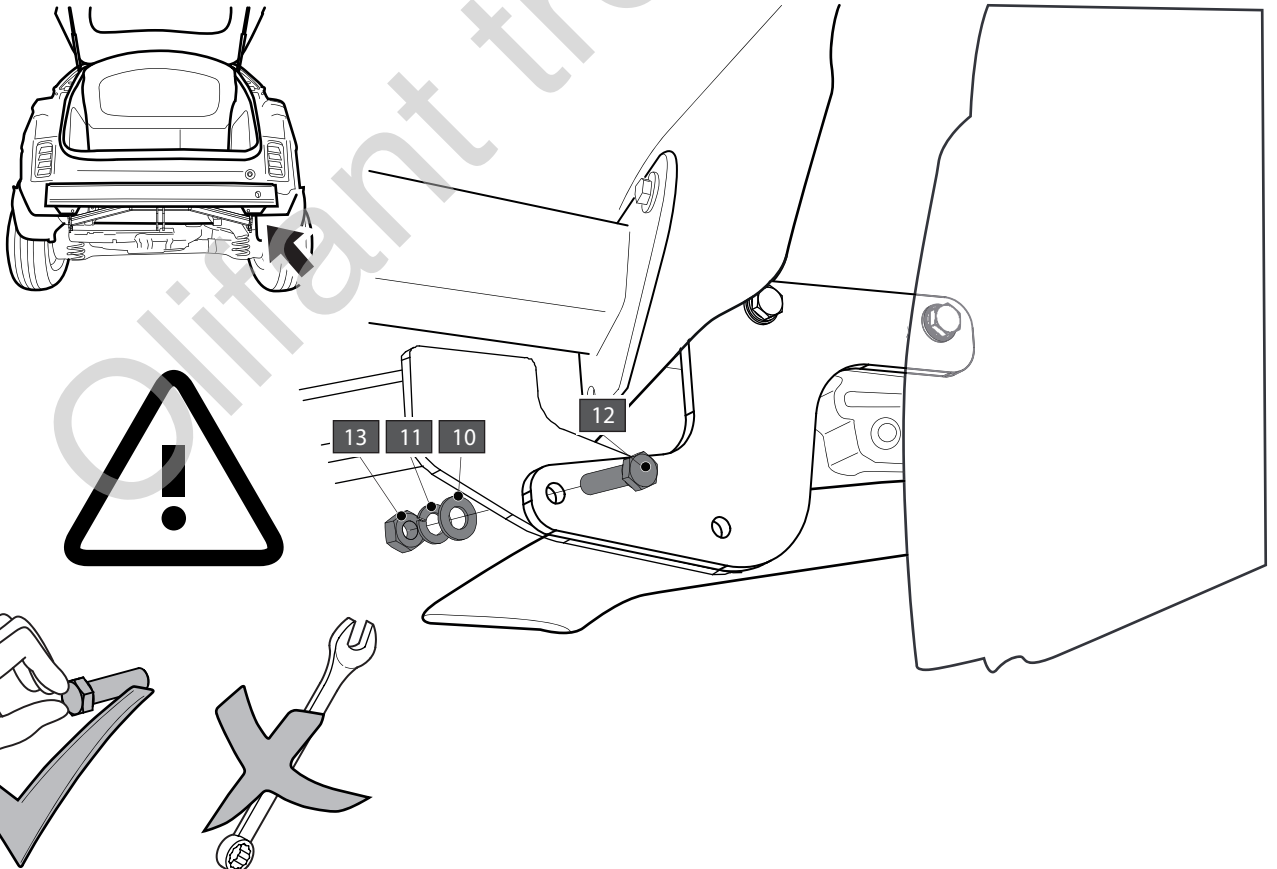
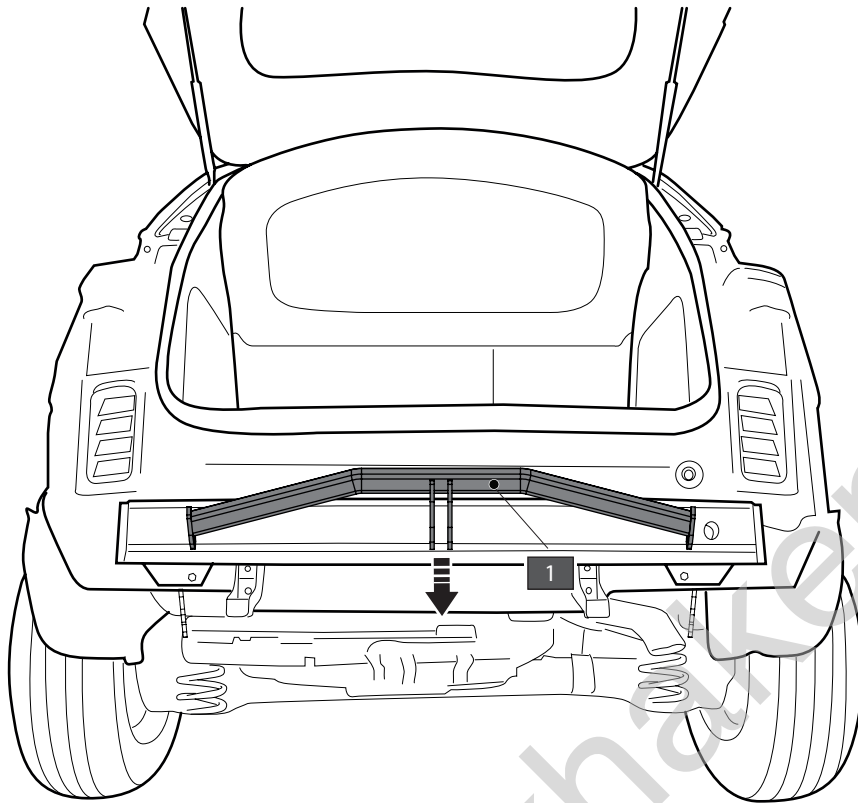
11

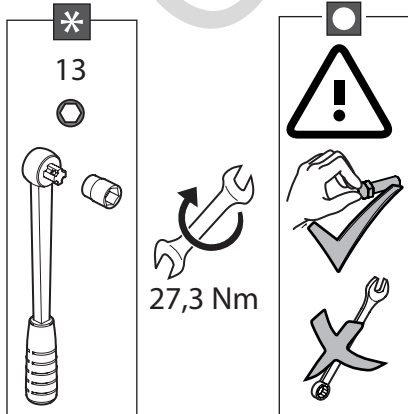
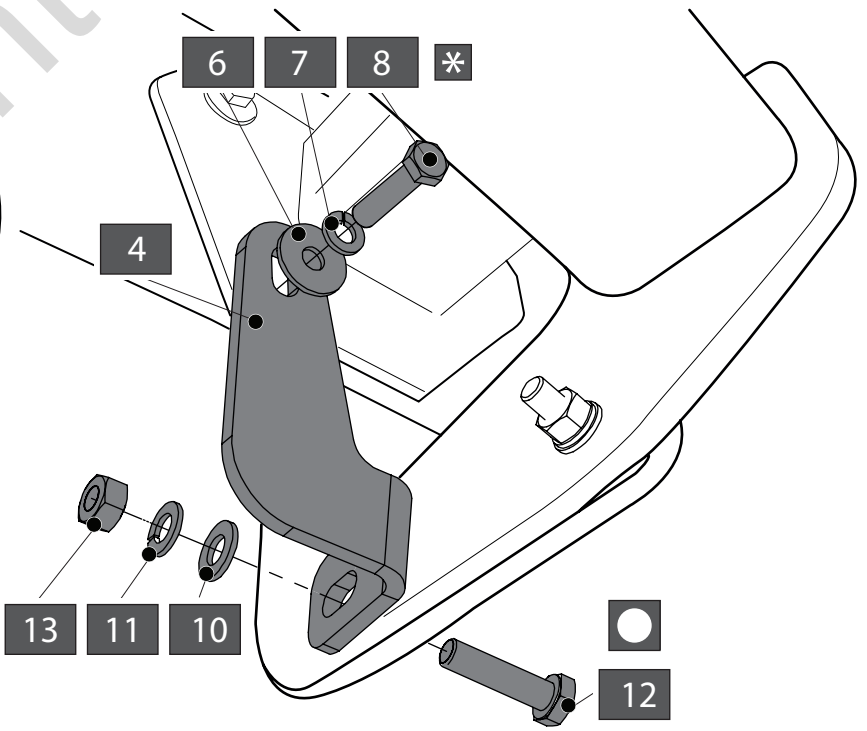
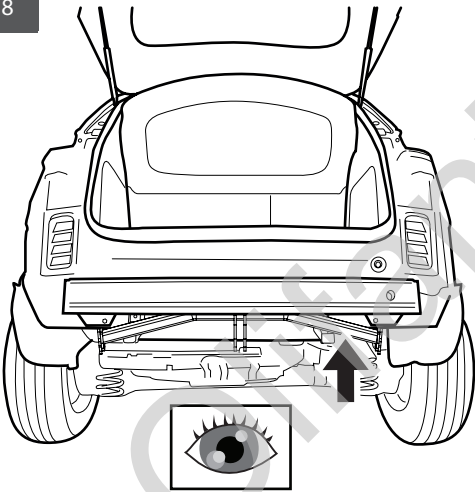
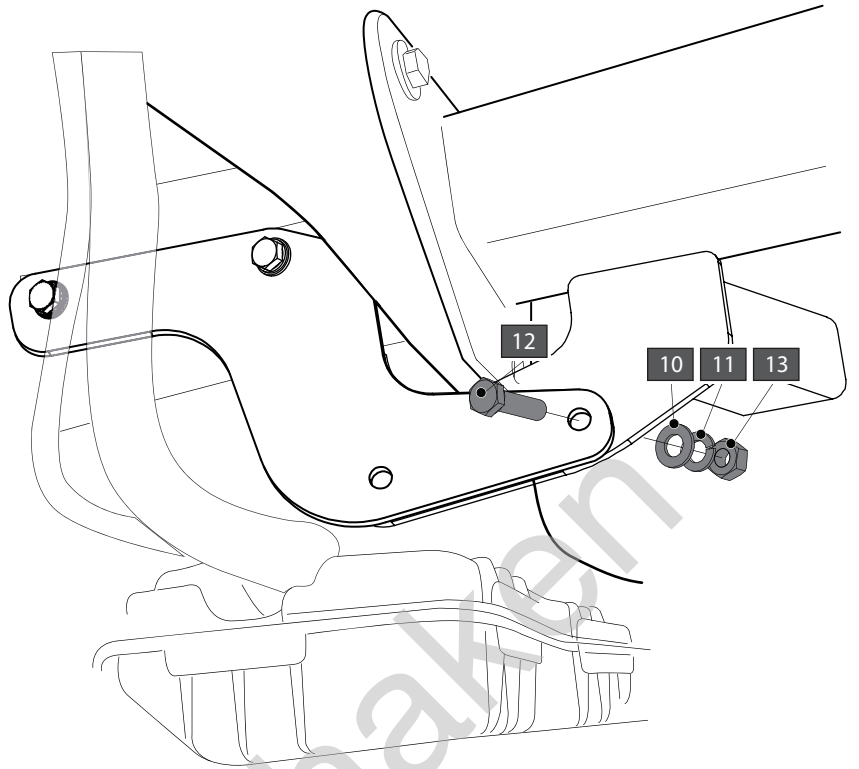
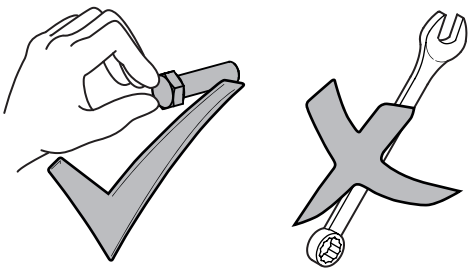
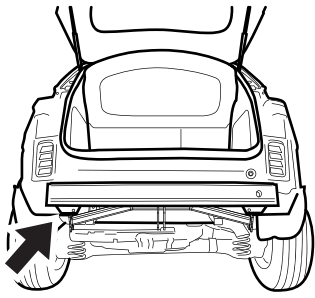


12

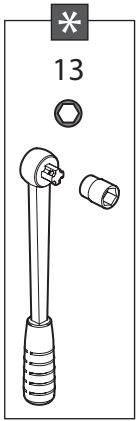
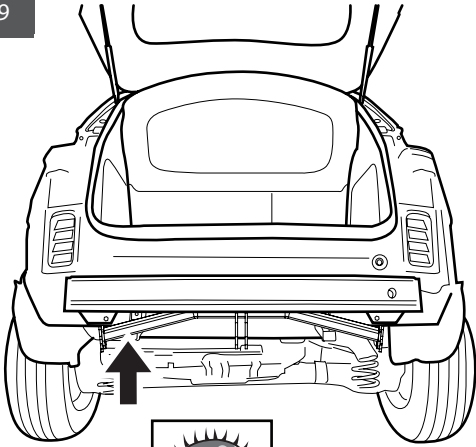








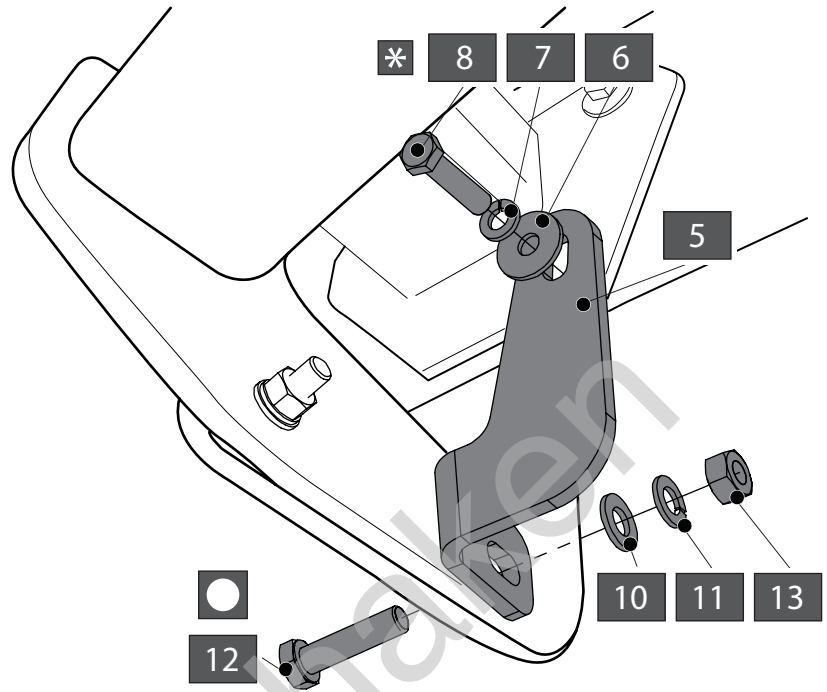
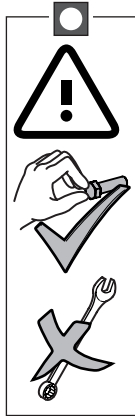
19



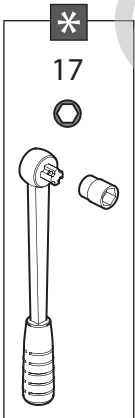
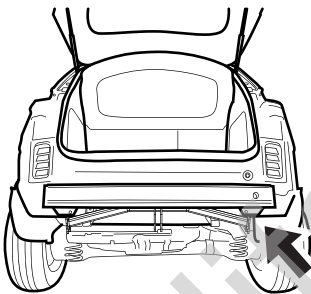
13



27,3 Nm



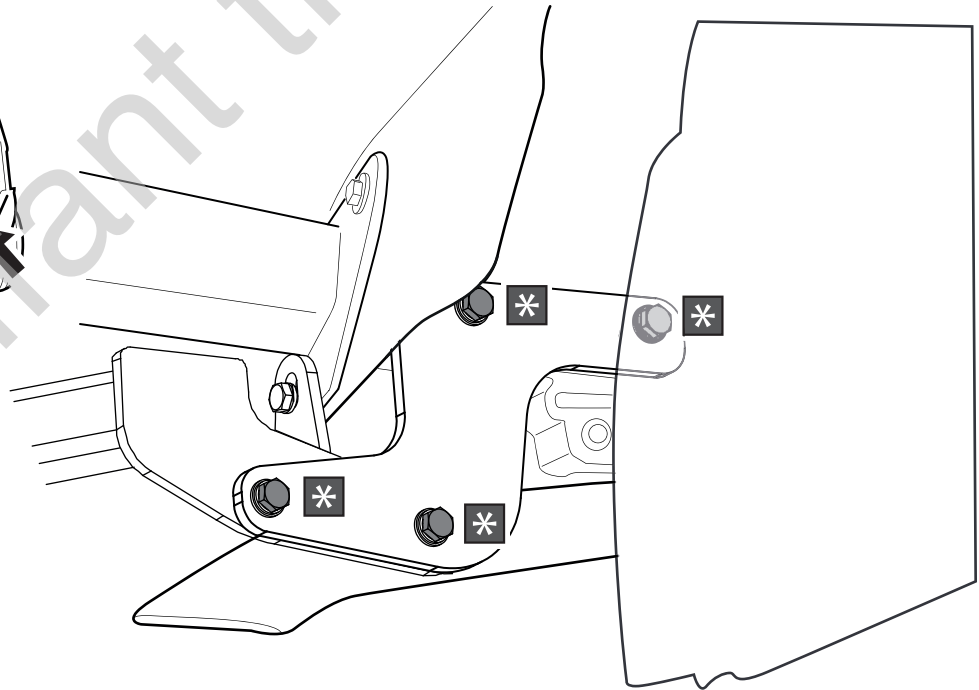
20



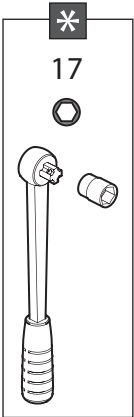
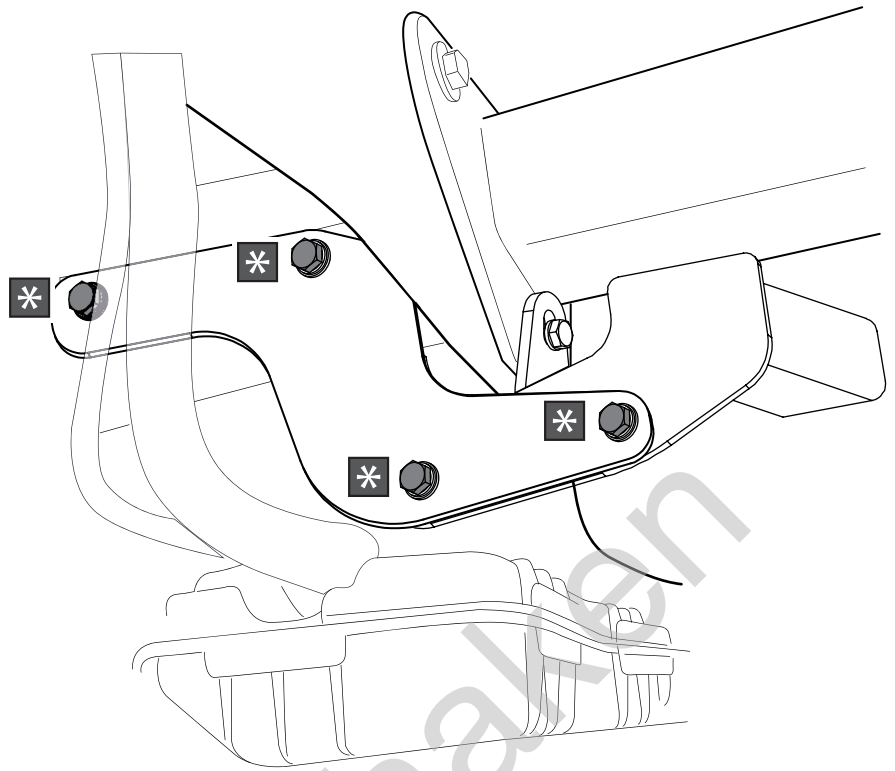
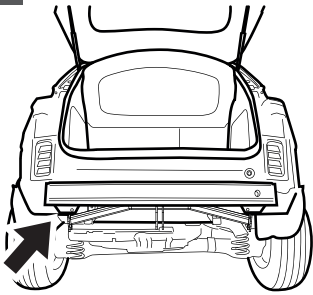
17



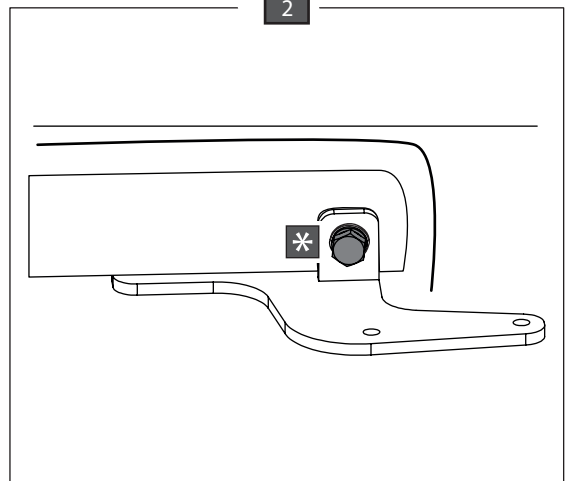
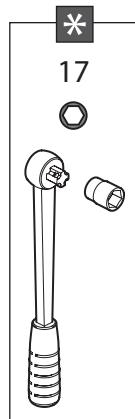
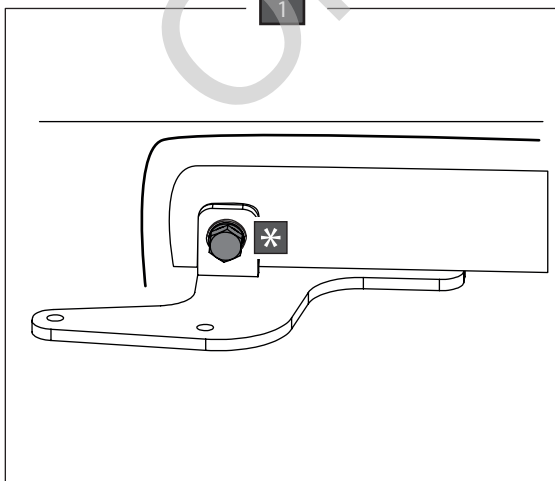
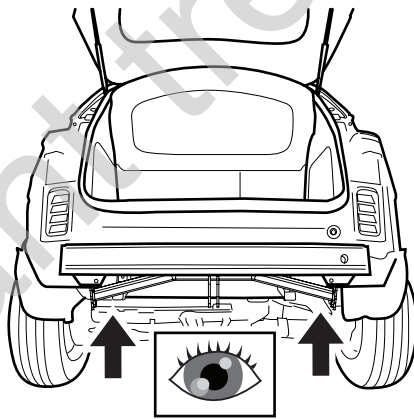
54,0 Nm



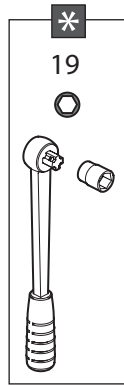
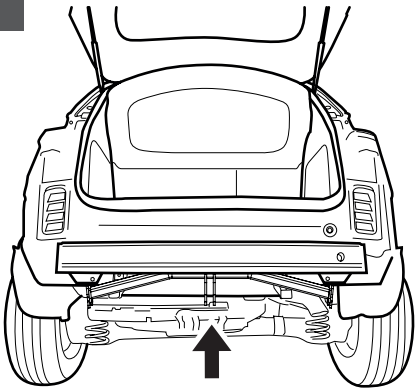
21



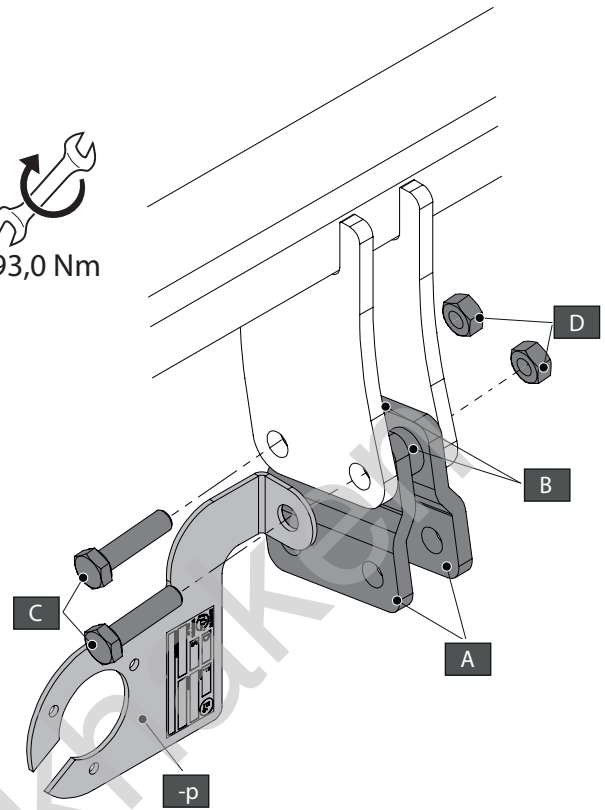
22



23

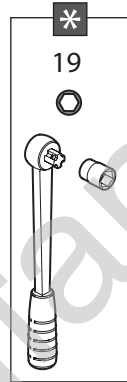


93,0 Nm

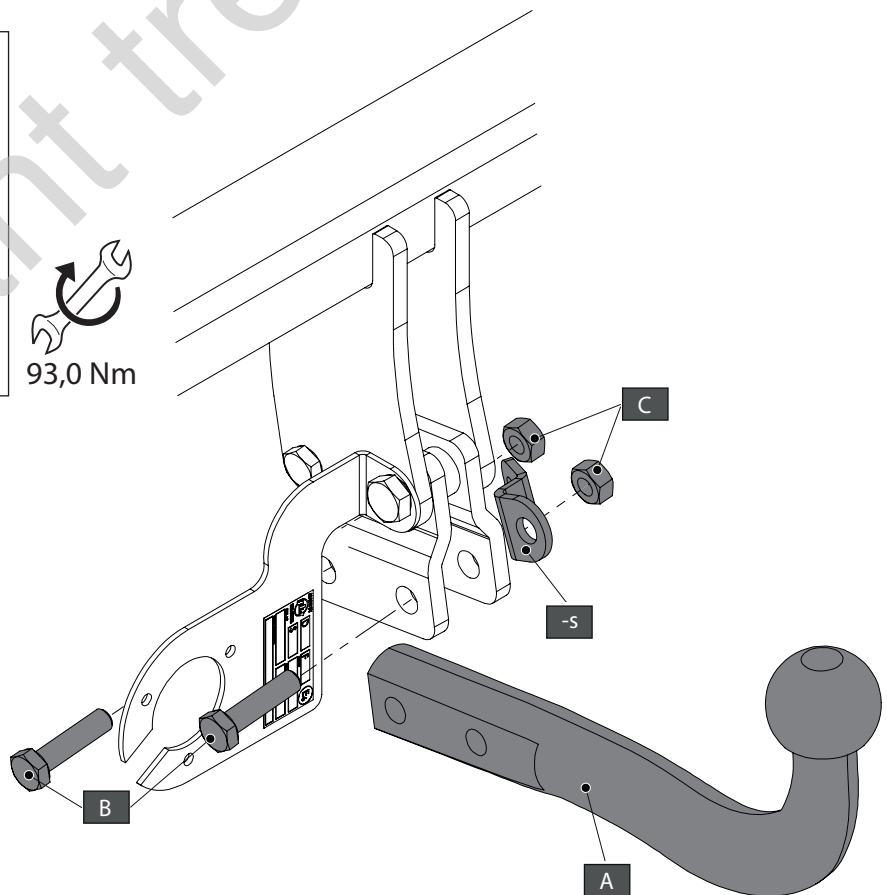


A		X2	GDW REF. 900.008
B		X2	GDW REF. 900.011 Ø 21,3 X 11,7
C		X2	DIN931-M12 X 70
D		X2	DIN985-M12

24

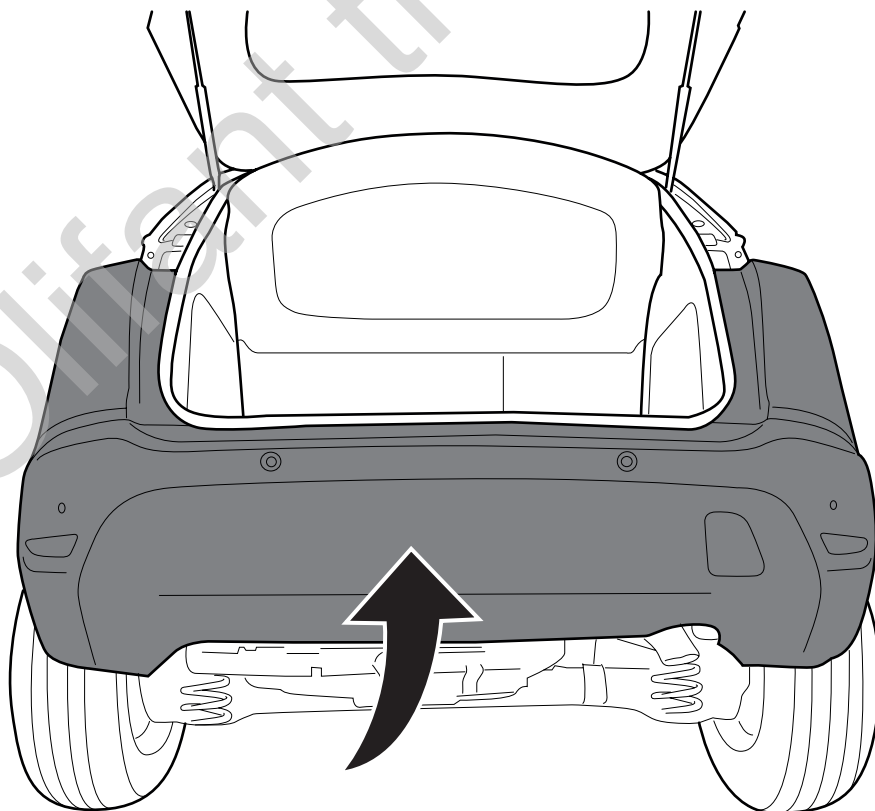
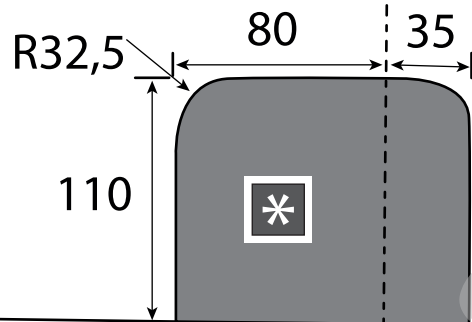
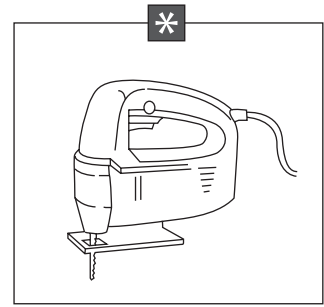
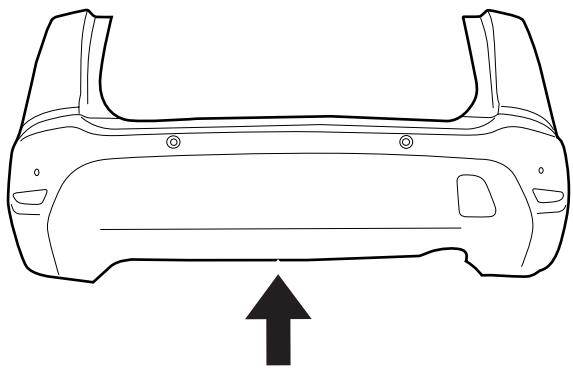


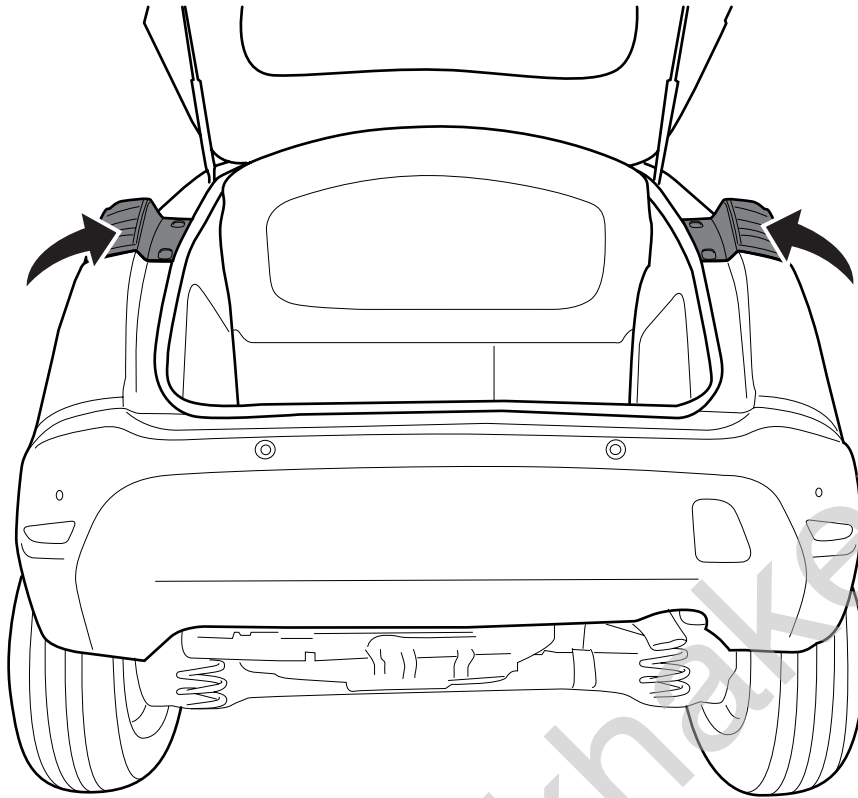
93,0 Nm



A		X1	944.M004
B		X2	DIN931-M12 X 70
C		X2	DIN985-M12
-S		X1	GDW REF. 900.053







Opties - Options - Options - Optionen - Opciones - Muligheder

