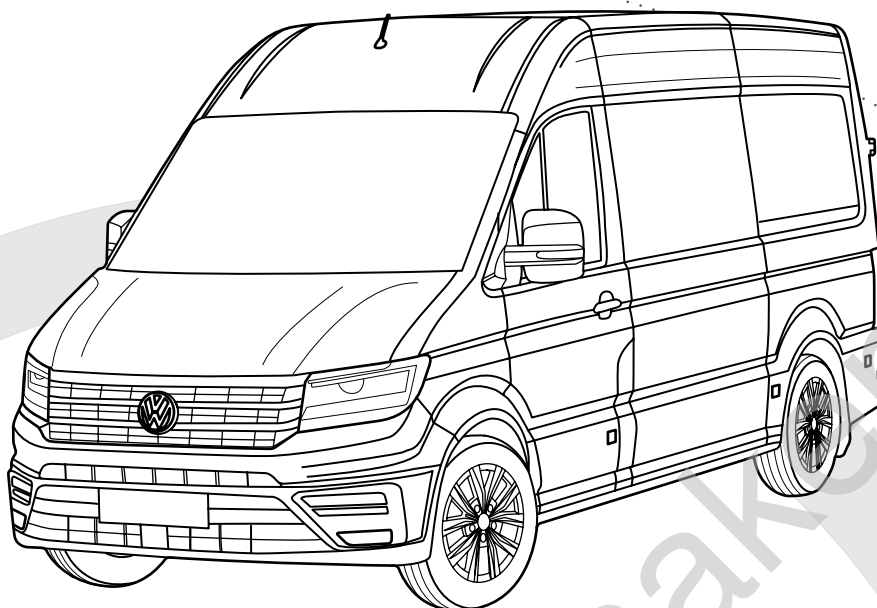




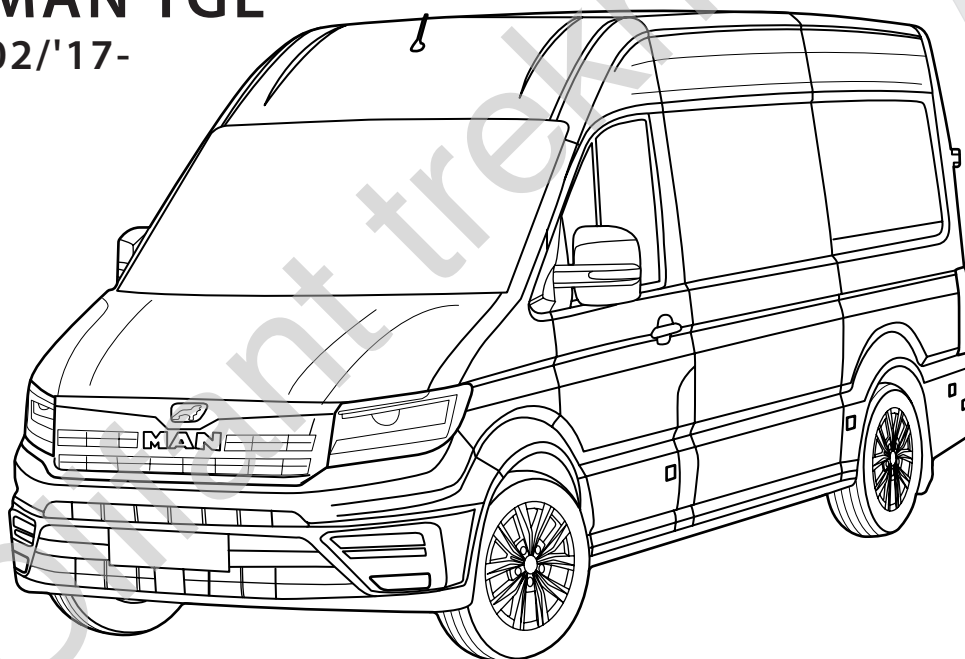
Volkswagen Crafter

01/'17-

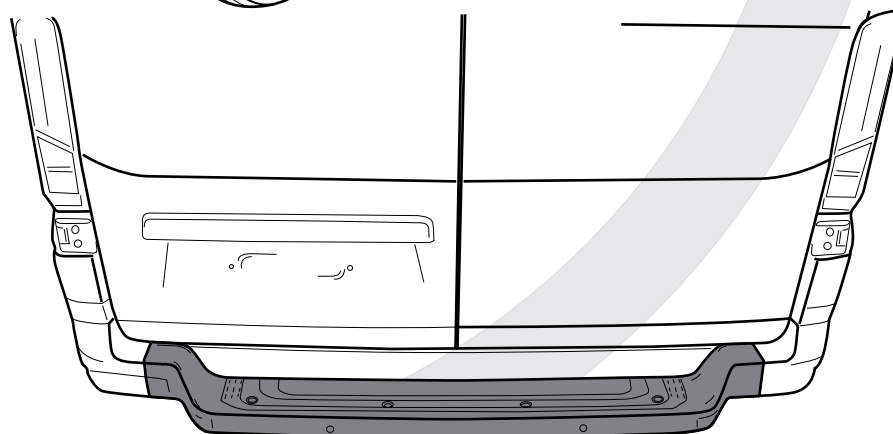


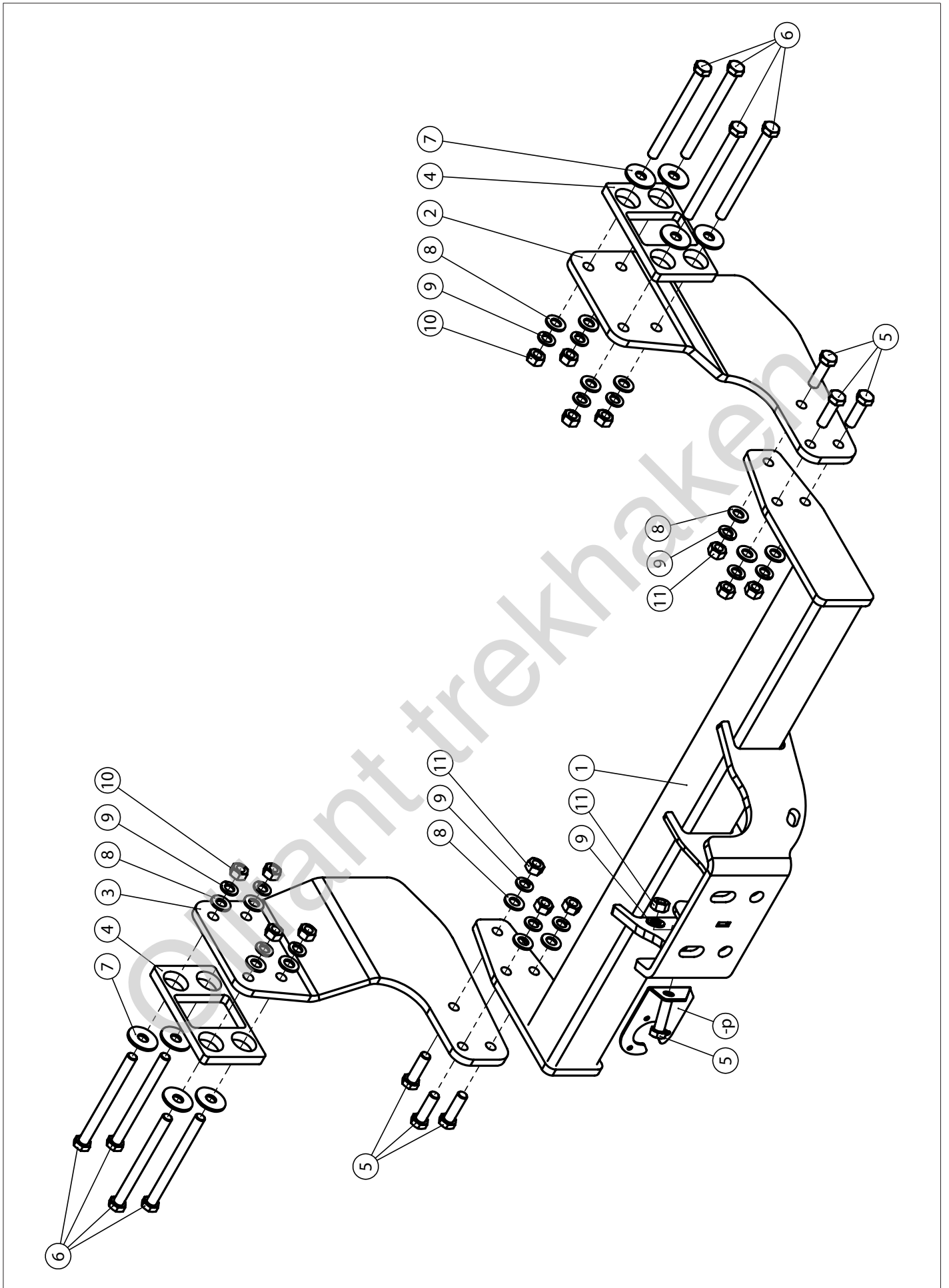
MAN TGE

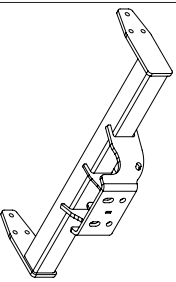
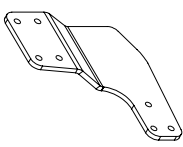
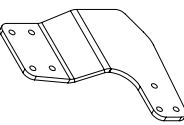
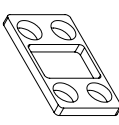

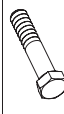
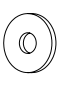





02/'17-

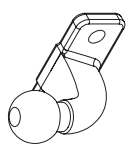


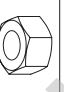
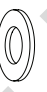


MET OE OPSTAP
AVEC MARCHÉ-PIED OE
MIT OE TRITTSUFE
WITH OE STEP
CON PASO OE
MED OE TRIN
CON PASSO OE

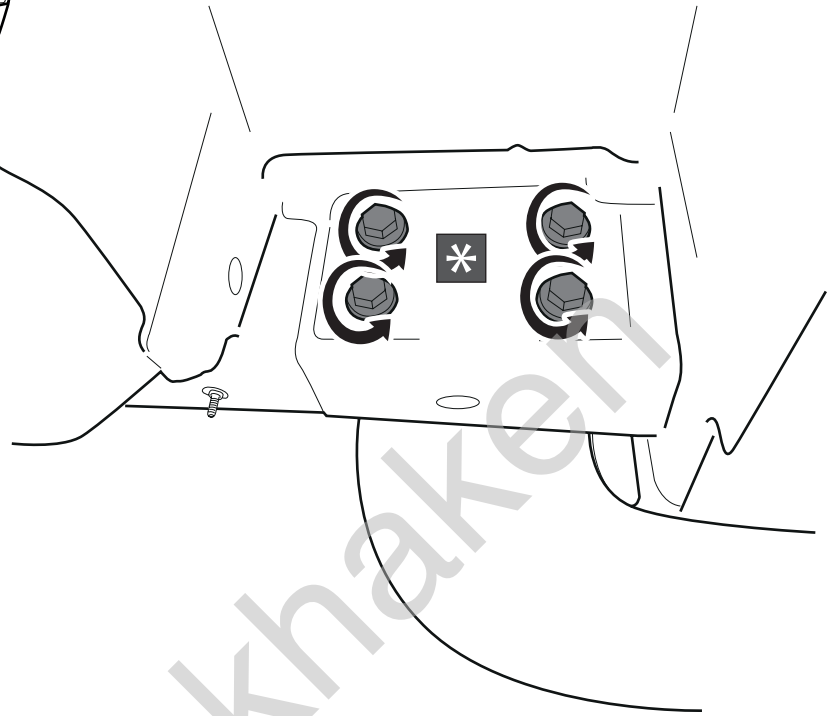
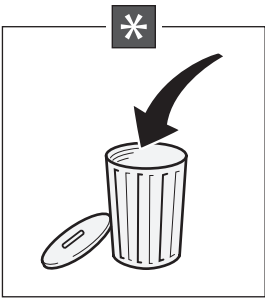
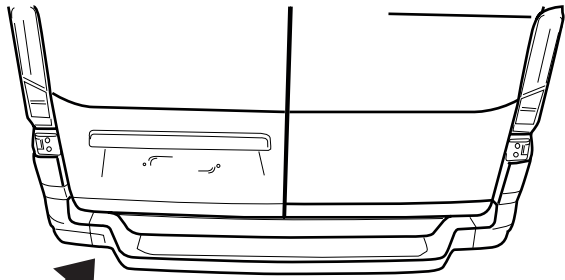




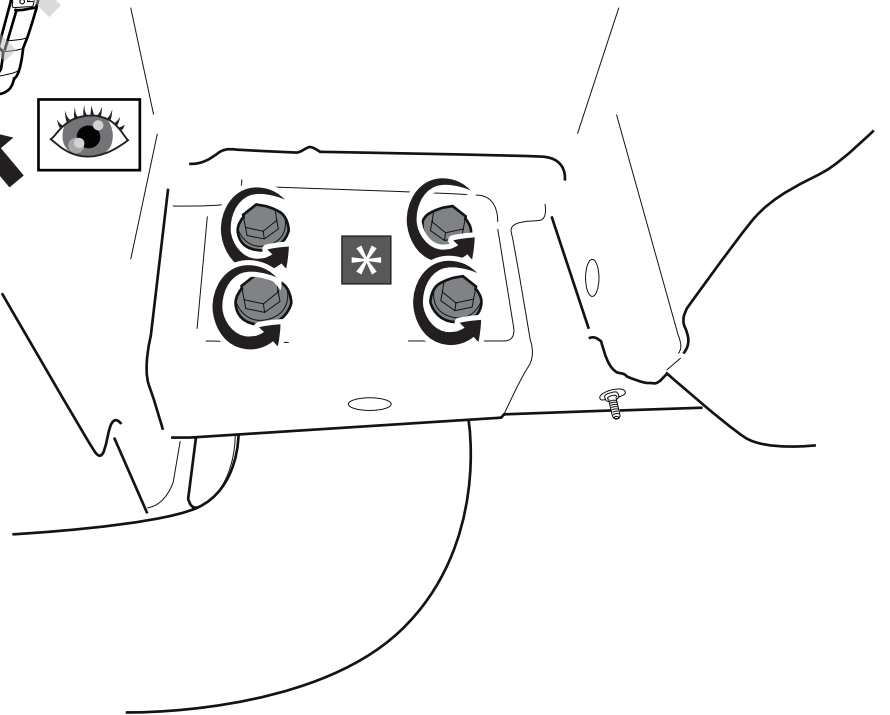
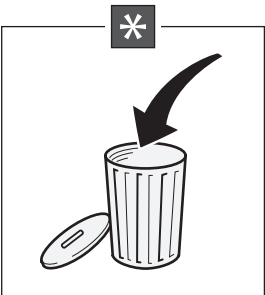
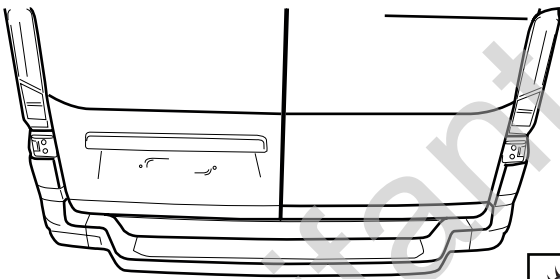
1		X1	GDW REF. 2232
2		X1	GDW REF. 2
3		X1	GDW REF. 3
4		X2	GDW REF. 4
5		X7	DIN933-M12X40 10.9
6		X8	DIN931-M12X140
7		X8	DIN9021-M12-ELVZ
8		X14	DIN125-A12-14OHV- ELVZ
9		X15	DIN128A-M12
10		X8	DIN934-M12
11		X7	DIN934-M12 KL10
-P		X1	GDW REF. P29

<p>Geleverd met - Livré avec - Delivered with Gelifiefert mit - Elementos adjuntos - Leveres med - Forniti insieme</p>		X1	740.000
		X2	DIN128A-M16
		X2	DIN933-M16 X 50 10.9
		X2	DIN934-M16 KL10
		X2	DIN125-A16-14OHV- ELVZ

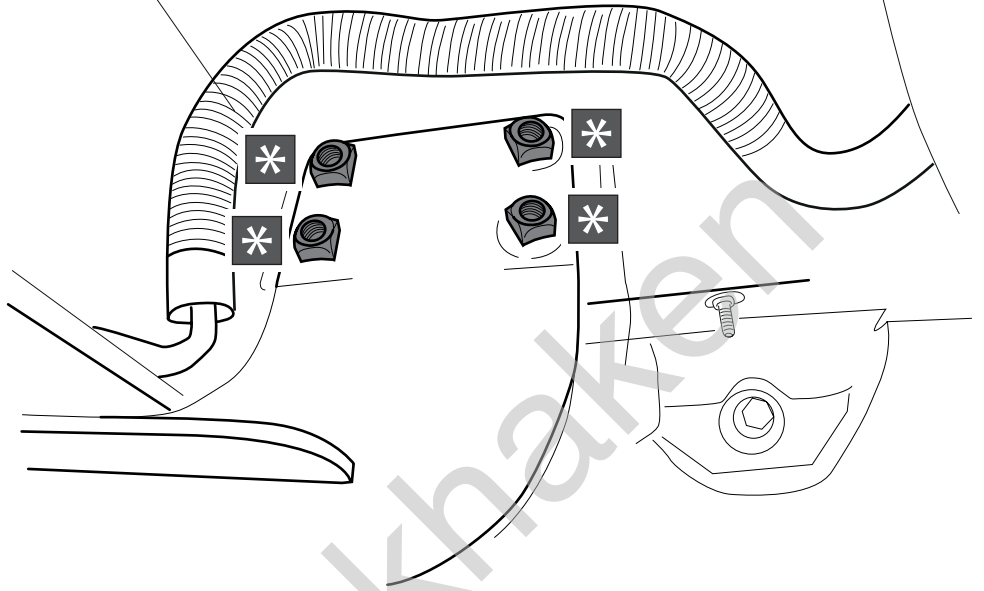
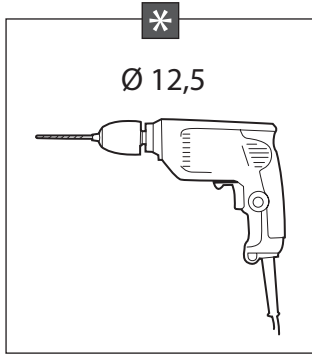
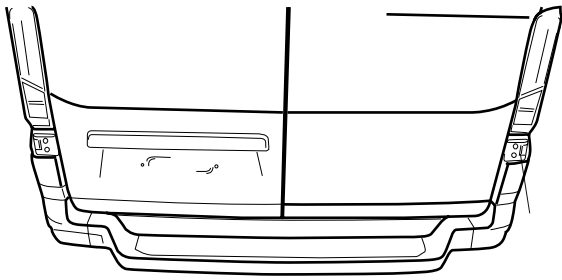
1



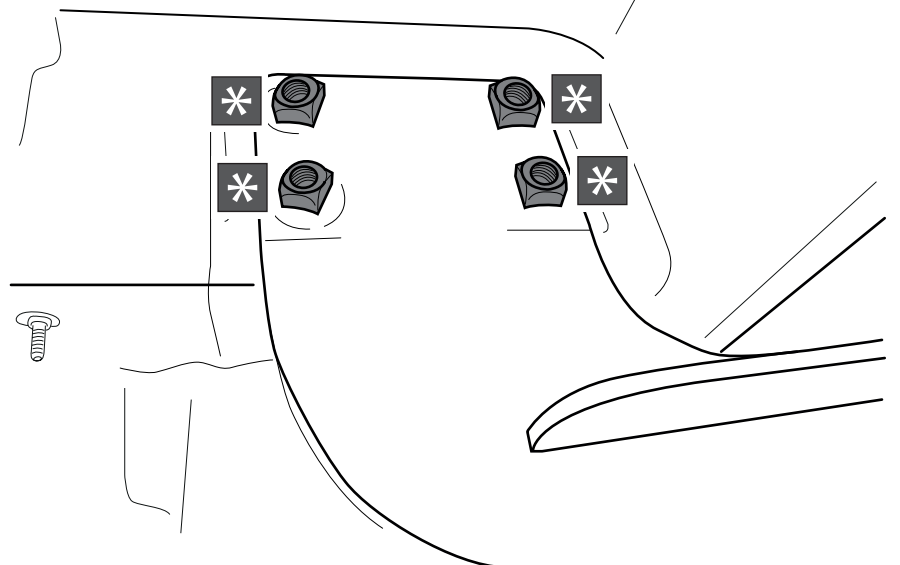
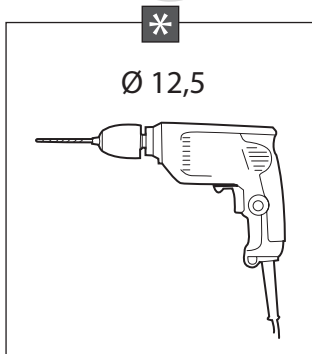
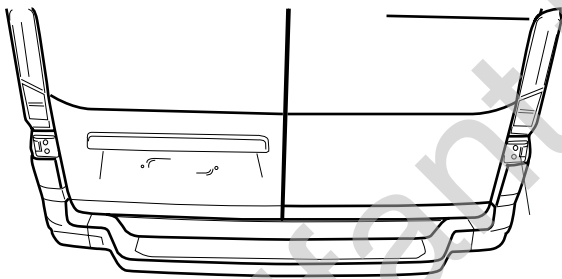
2



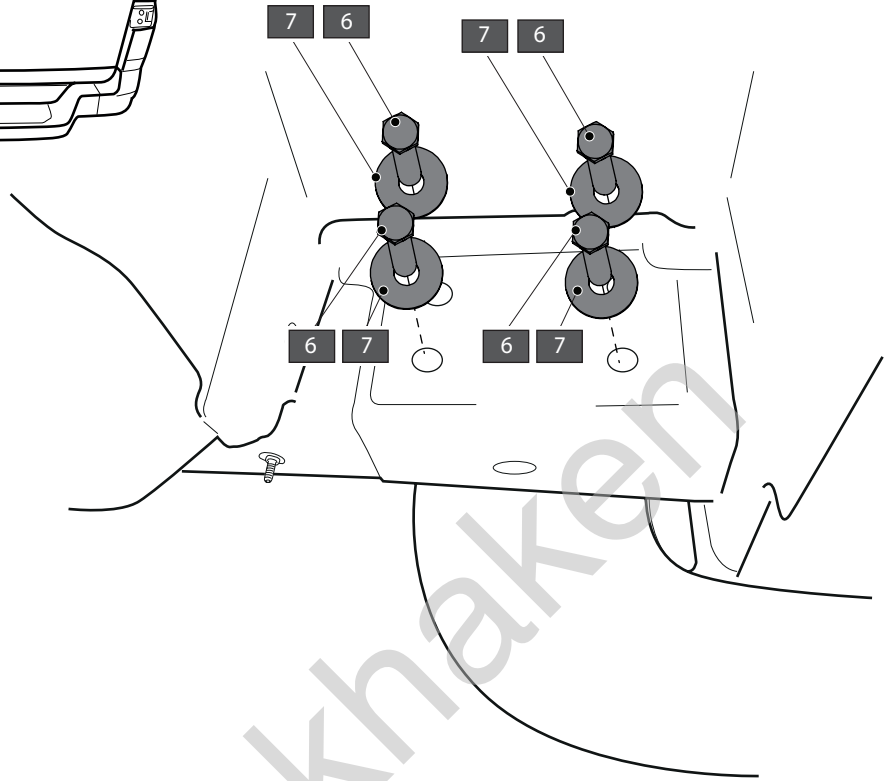
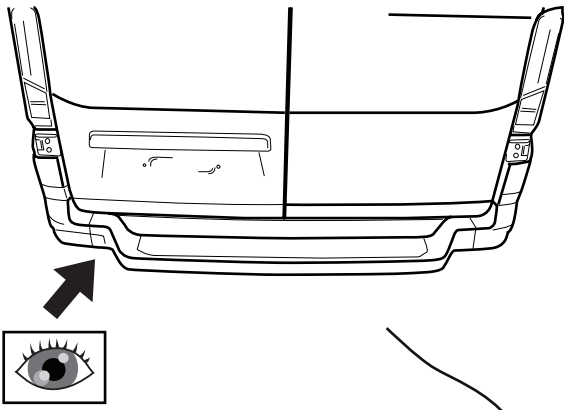
3



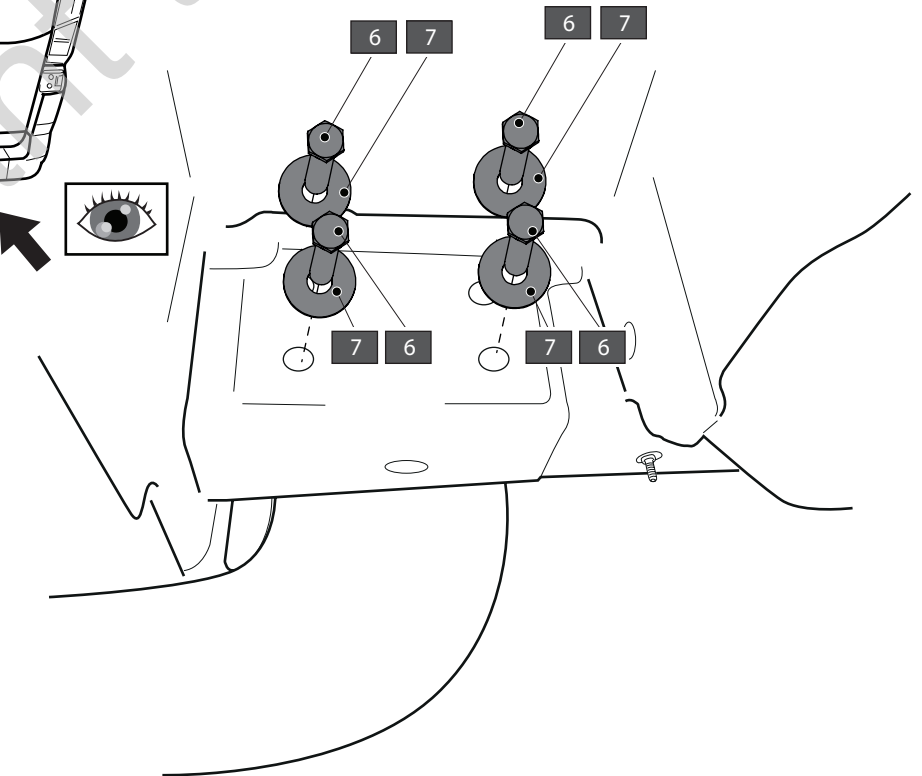
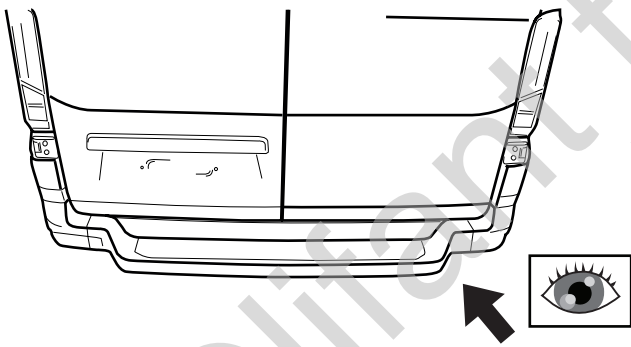
4



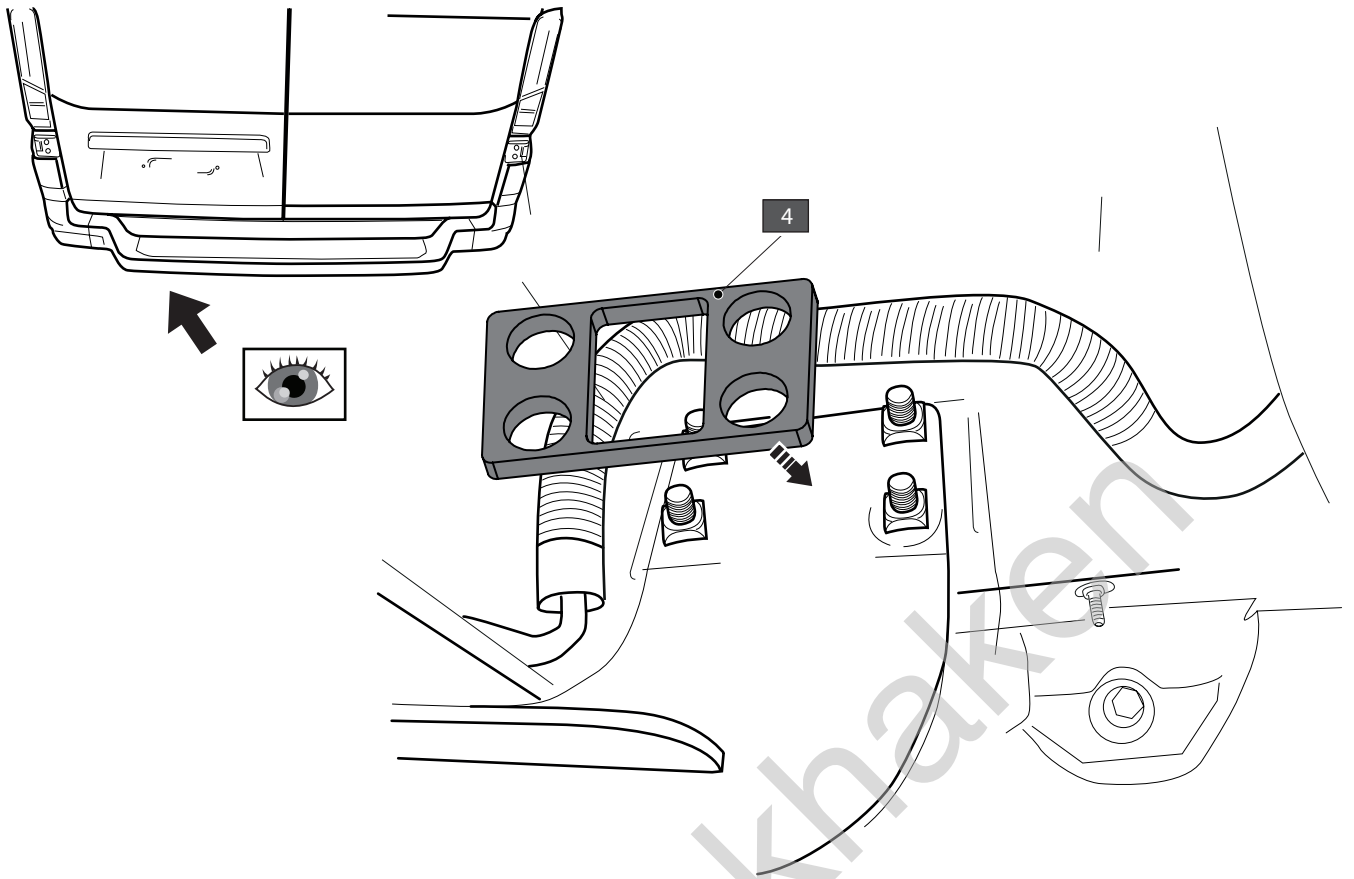
5



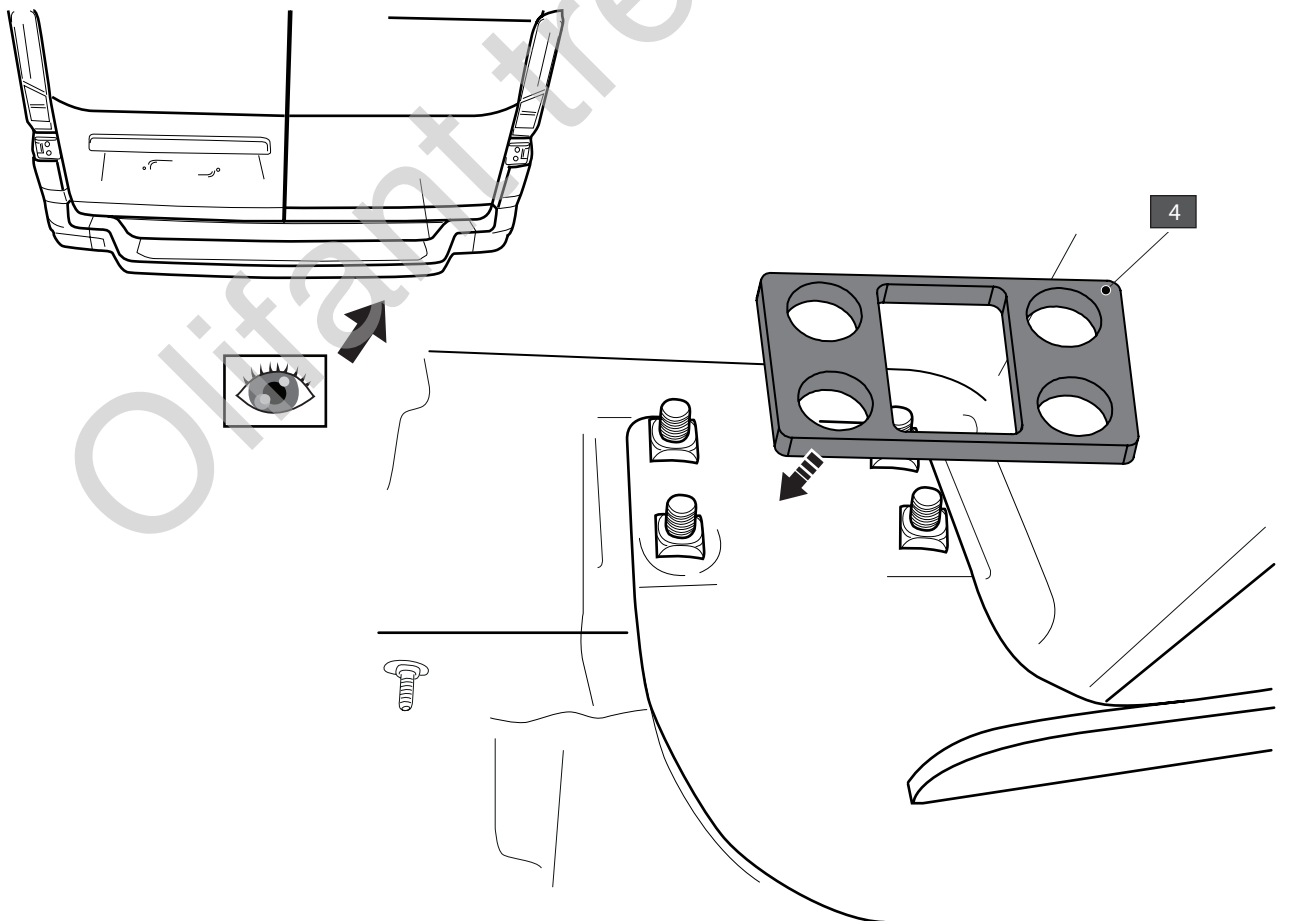
6



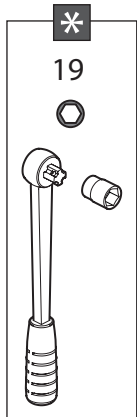
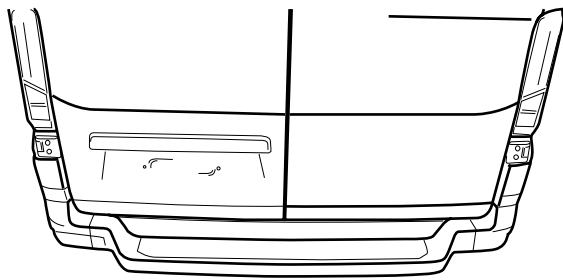
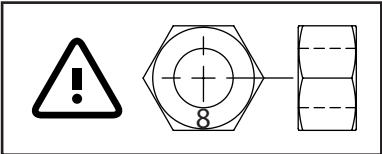
7



8



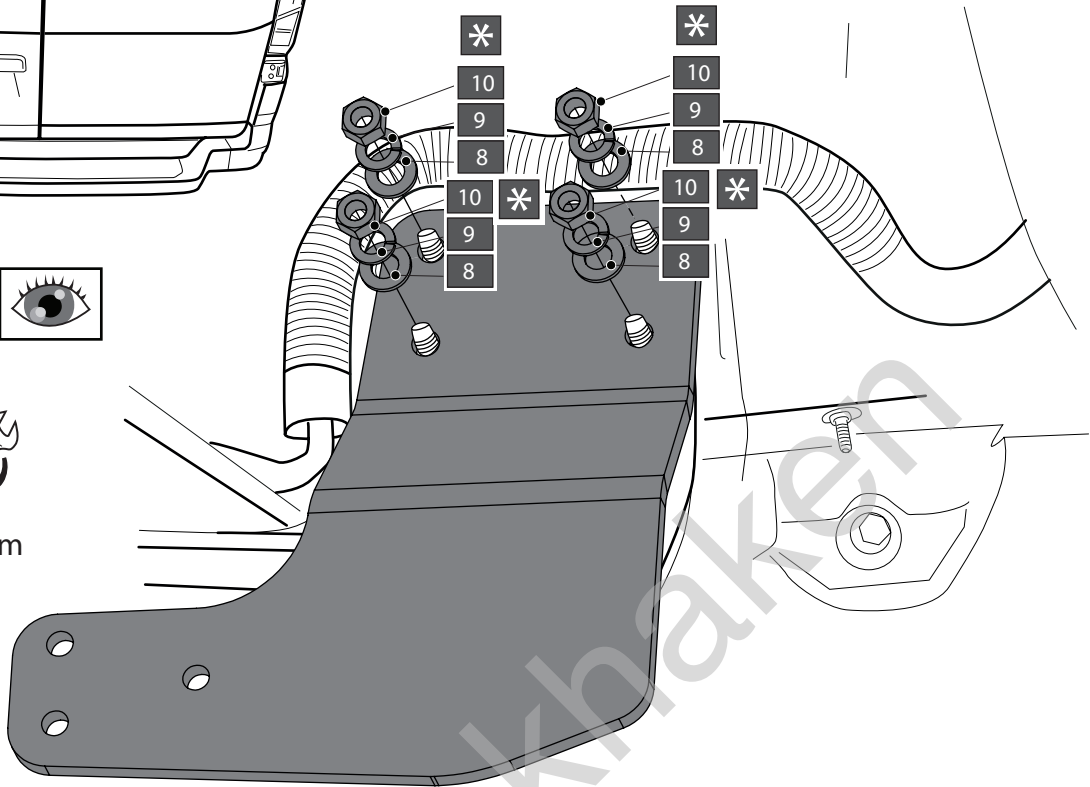
9



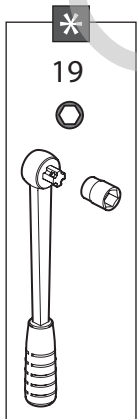
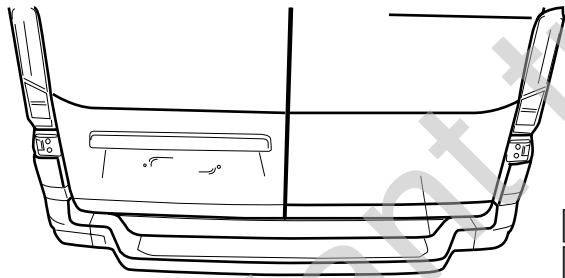
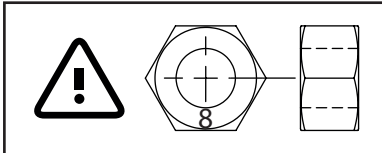
19



93,0 Nm



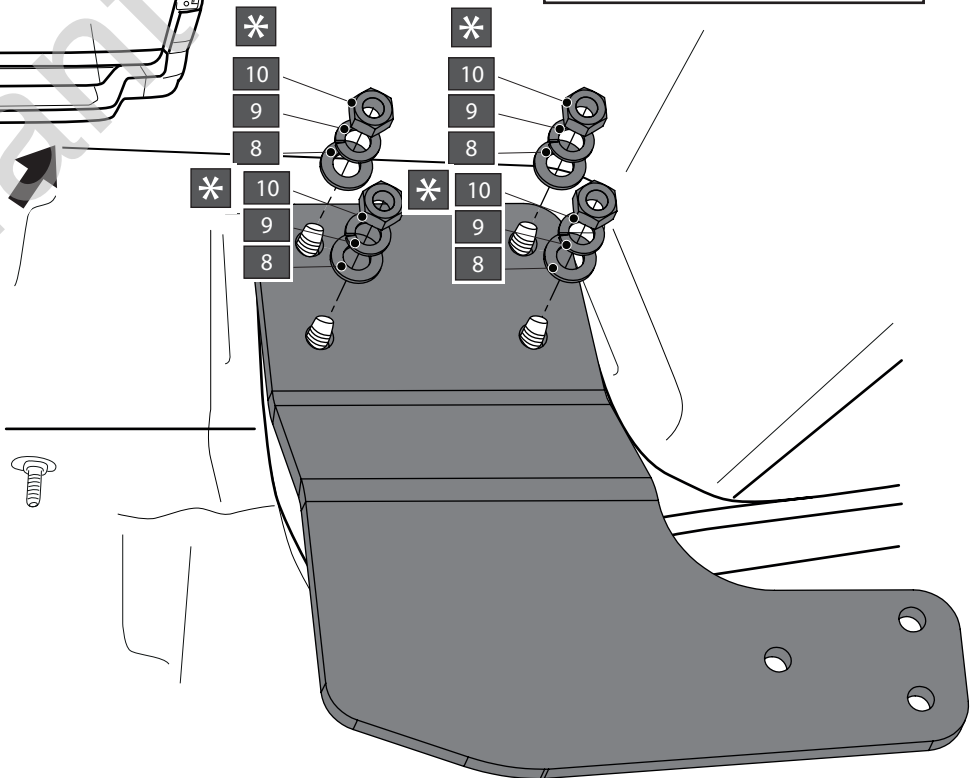
10



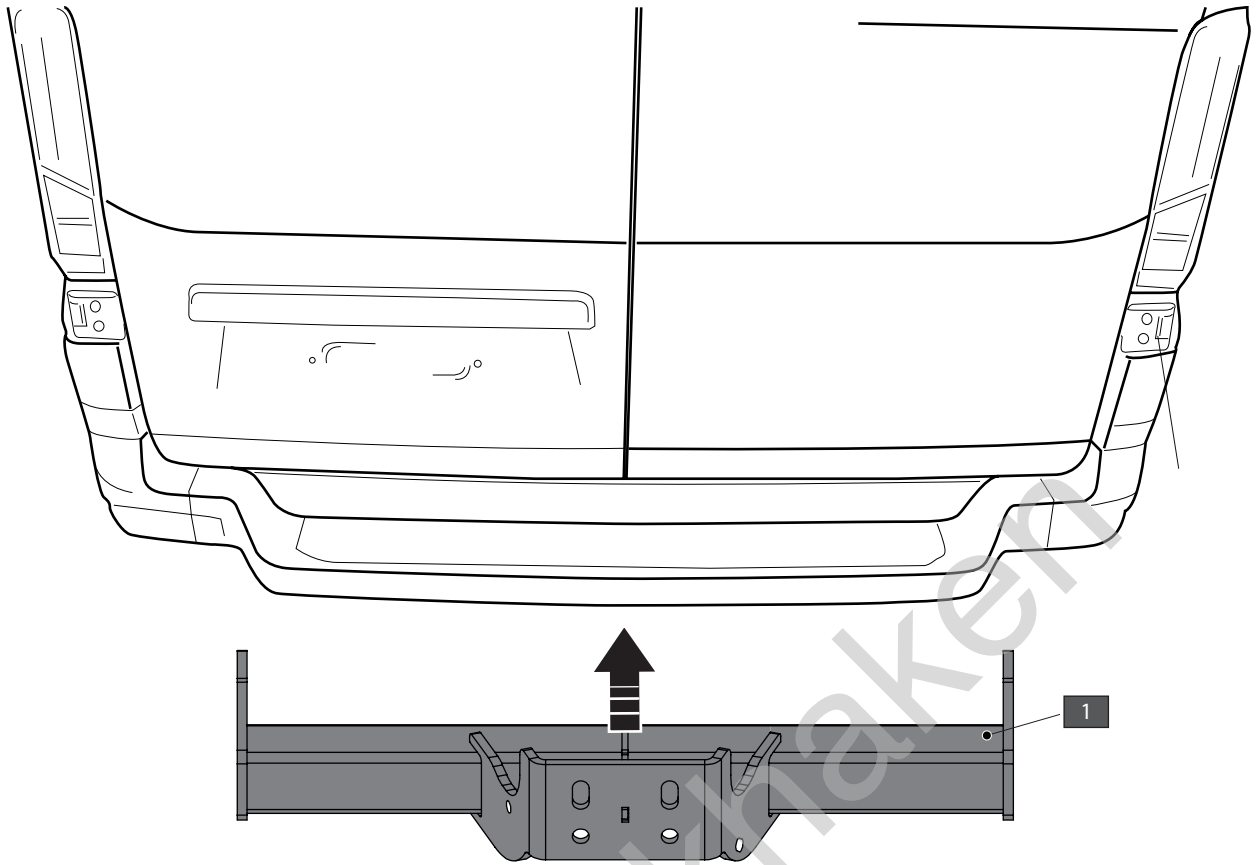
19



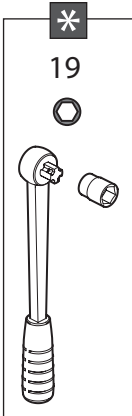
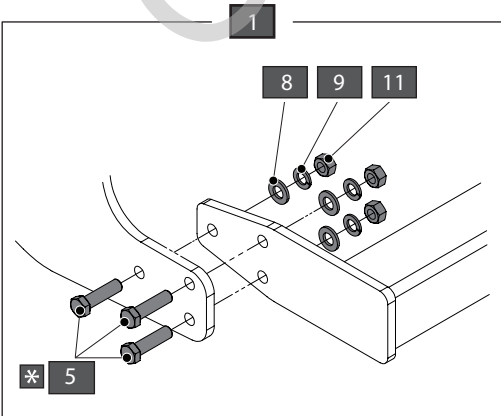
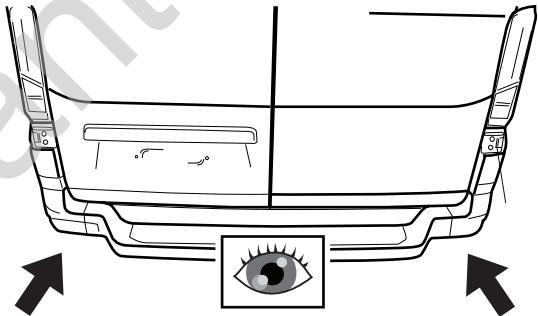
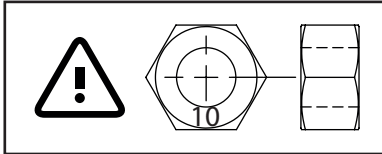
93,0 Nm



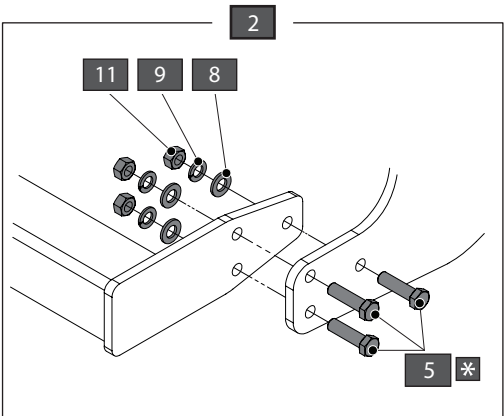
11

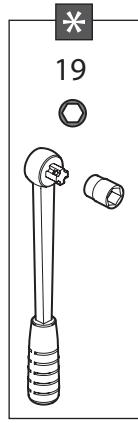


12

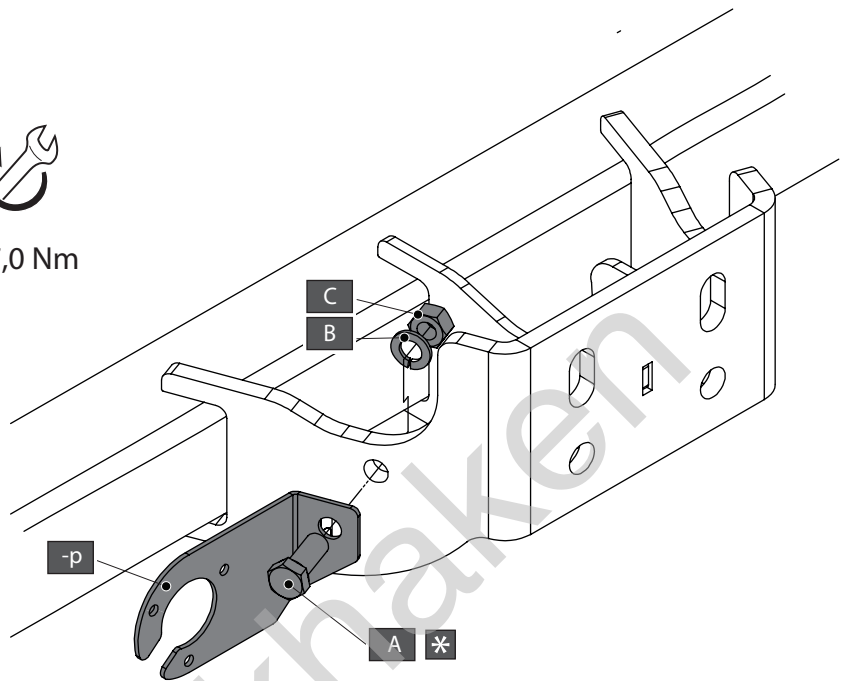



137,0 Nm

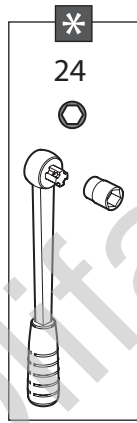




137,0 Nm

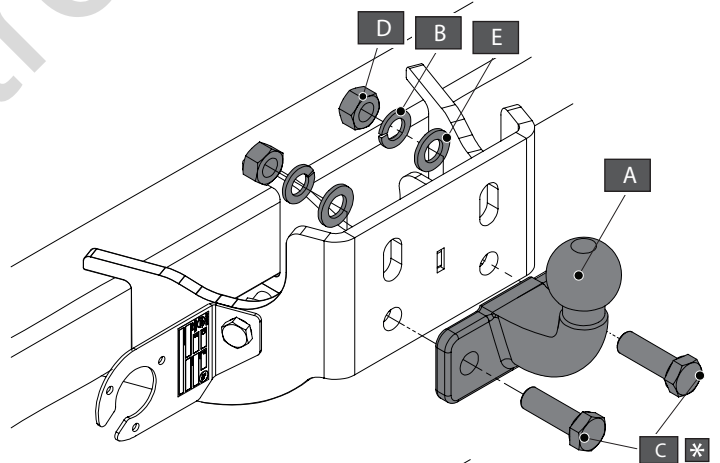


-P		X1	GDW REF. P29
A		X1	GDW REF. 5 (DIN933-M12X40 - 10.9)
B		X1	GDW REF. 9 (DIN128A-M12))
C		X1	GDW REF. 11 (DIN934-M12 - KL10)

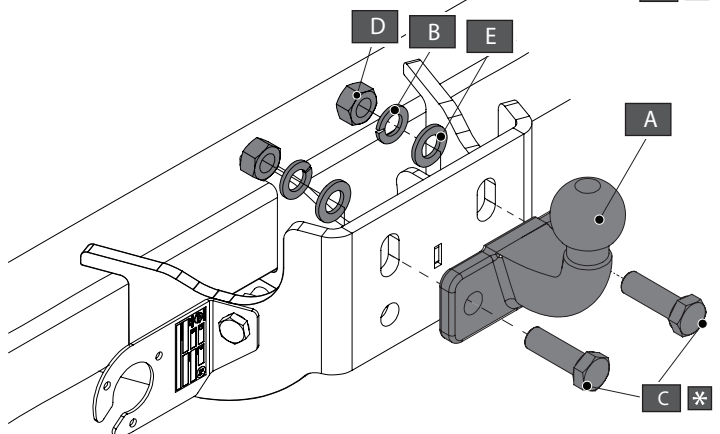


320,0 Nm

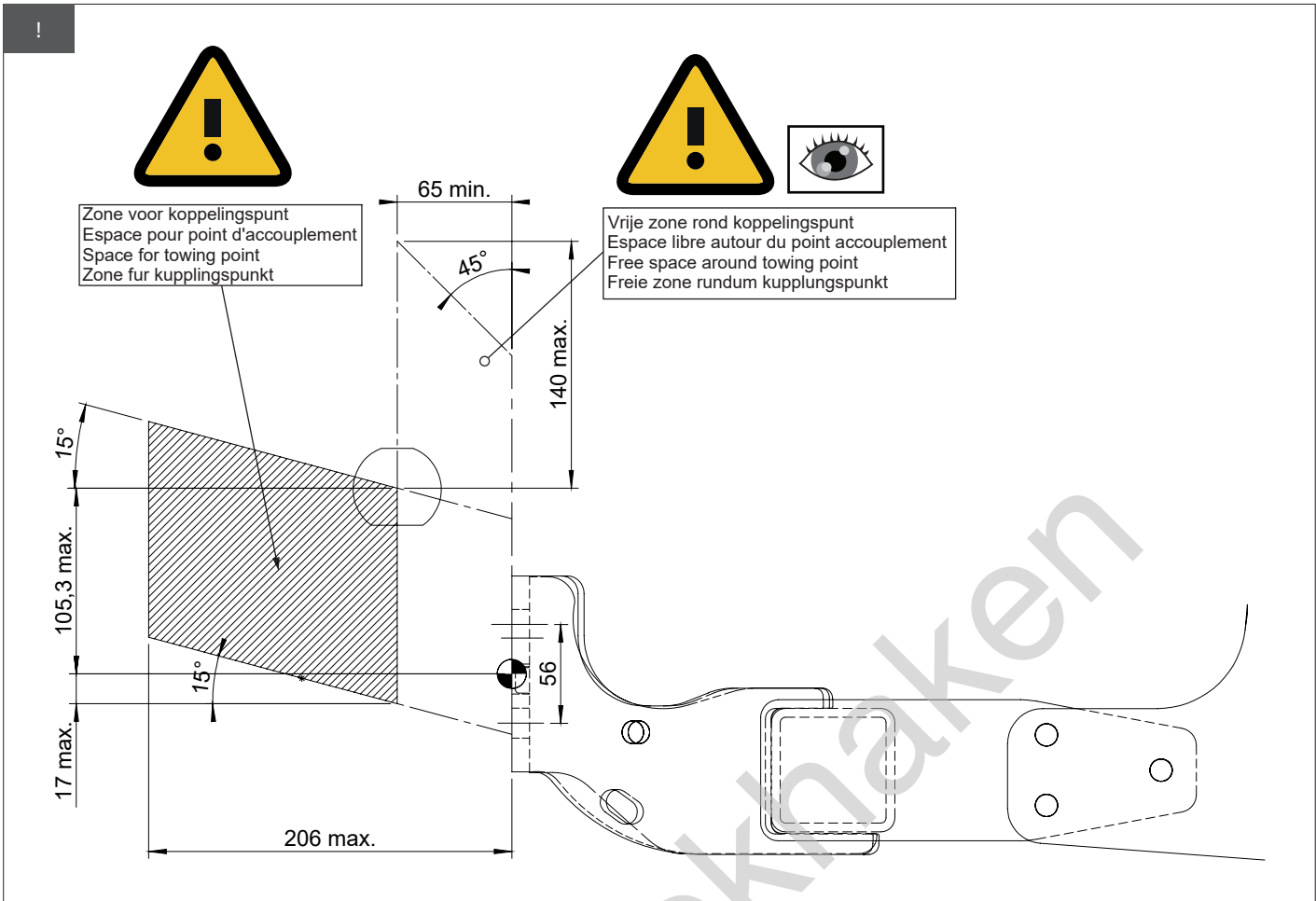
A



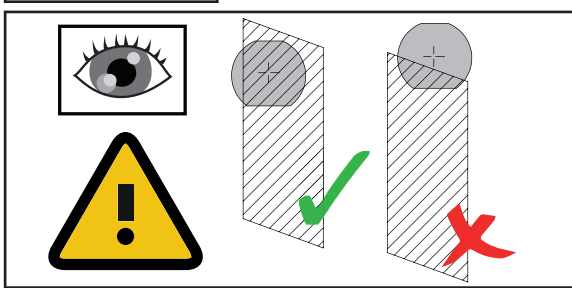
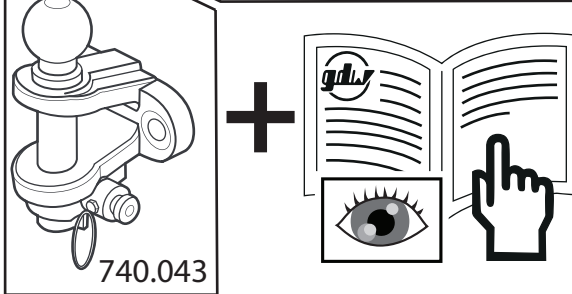
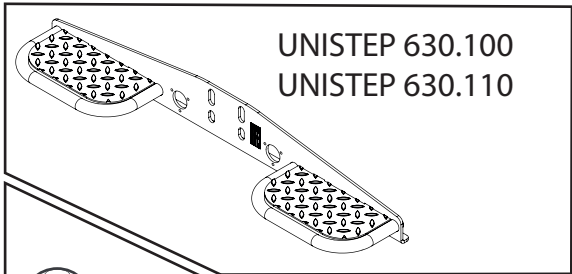
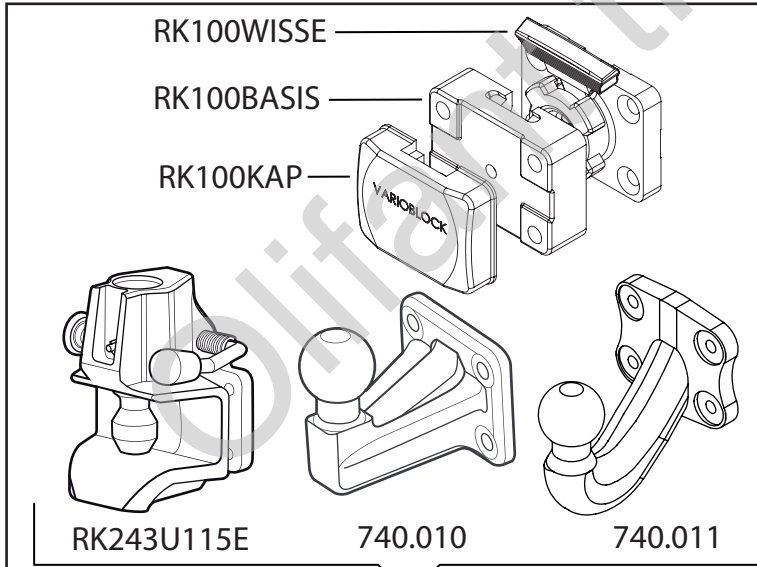
B

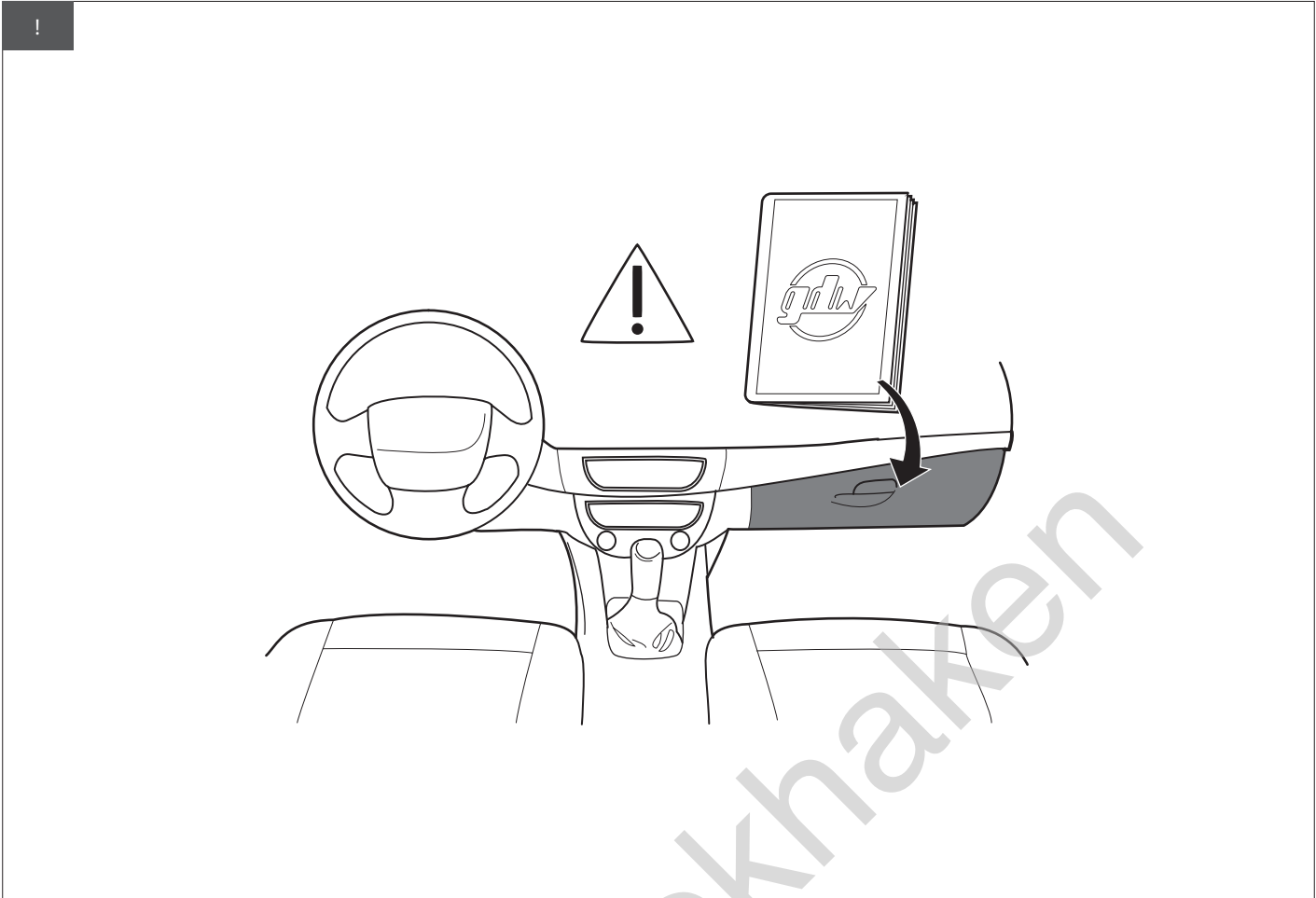


A		X1	740.000
B		X2	DIN128A-M16
C		X2	DIN933-M16 X 50 - 10.9
D		X2	DIN934-M16 - KL10
E		X2	DIN125-A16-140HV- ELVZ



! Opties - Options - Options - Optionen - Opciones - Muligheder





Olifant trekhaken