



TREKHAKEN • ATTELAGES • ANHÄNGERVORRICHTUNGEN • TOWBARS • ENHANCES • ANHÆNGERTRÆK • GANCI DI TRAINO

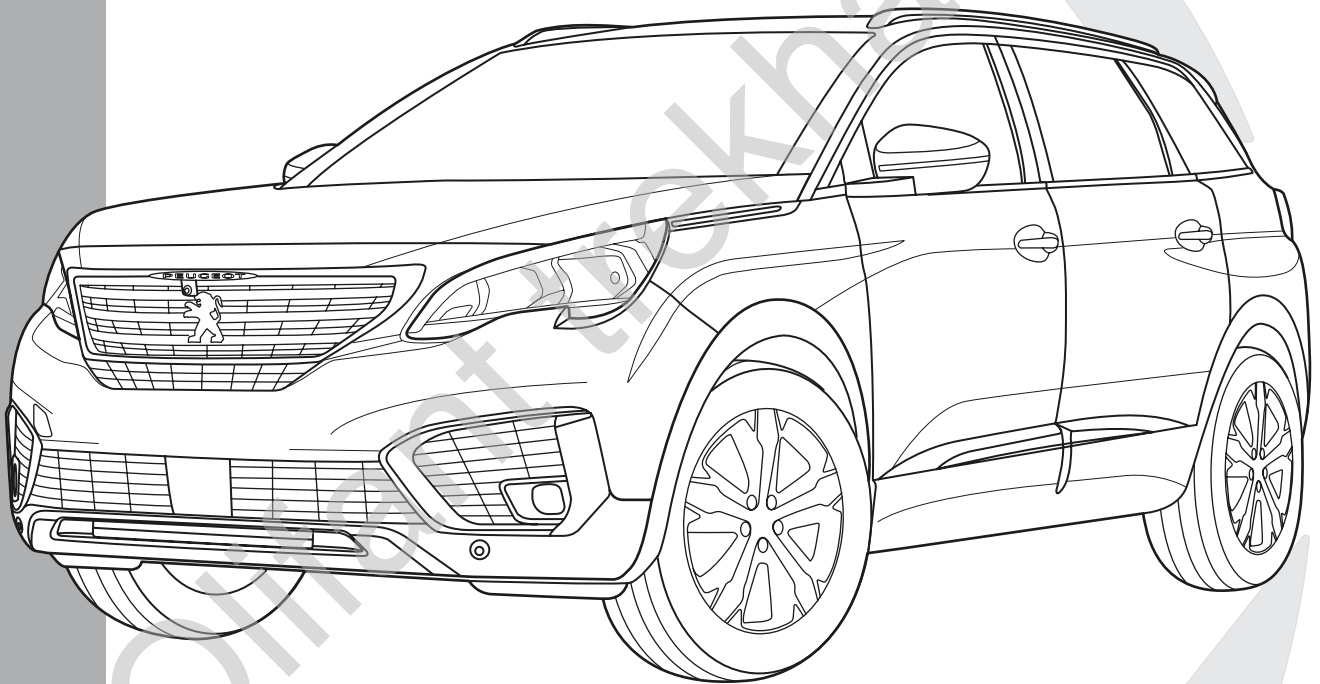
Montagehandleiding | instructions de montage | Einbauanleitung | Mounting instruction  
Instrucciones de montaje | monteringsvejledning | istruzioni di montaggio

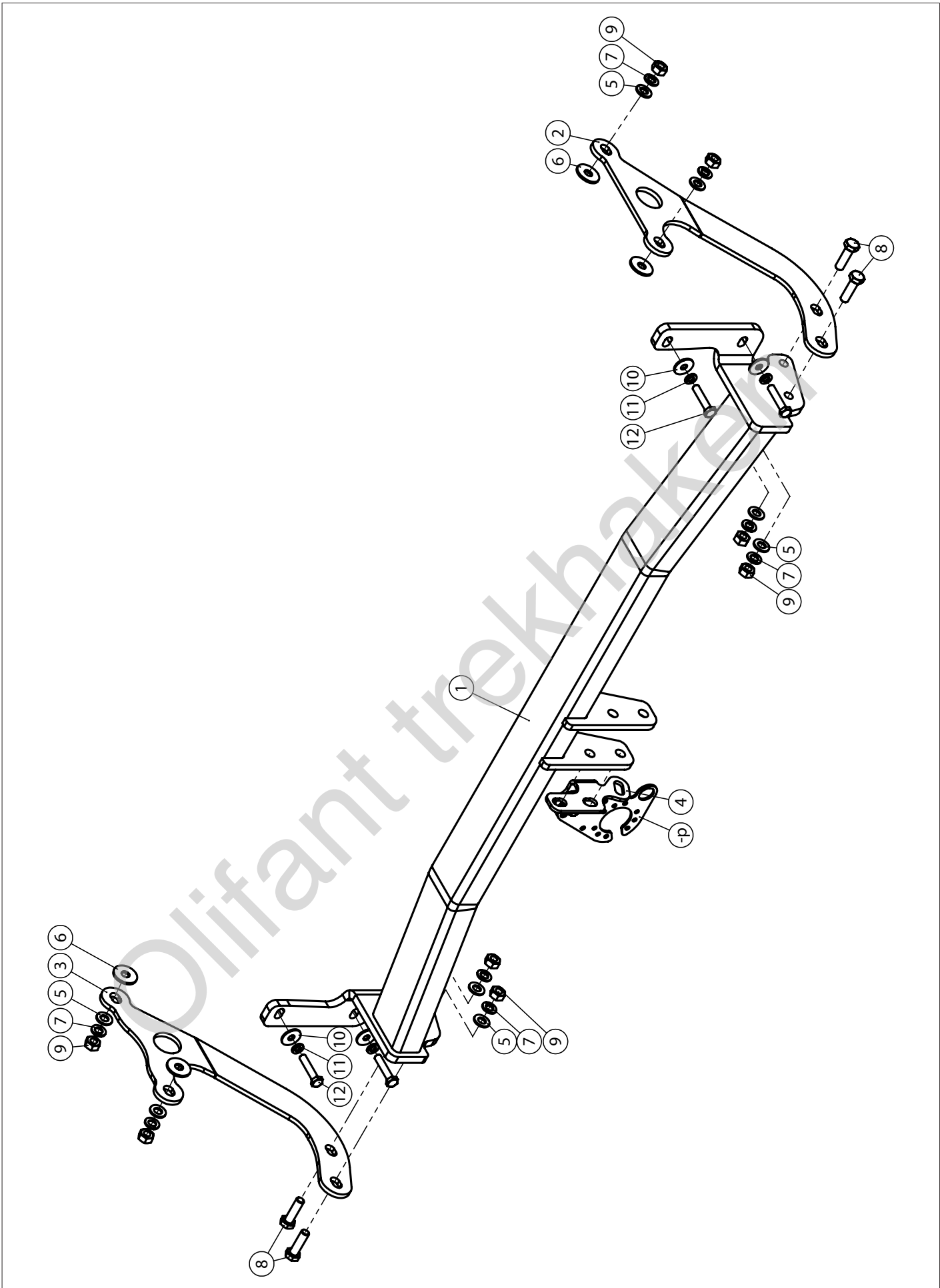


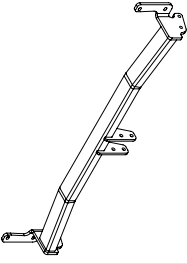
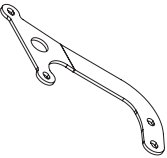
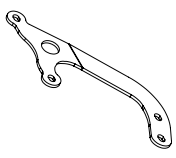
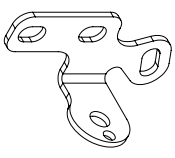

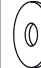



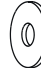


# Peugeot 5008

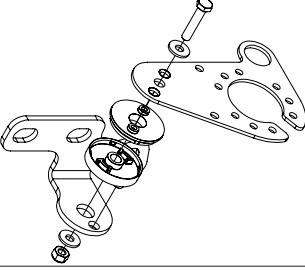





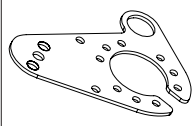

12/'16-

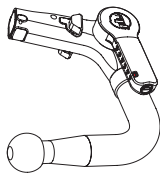

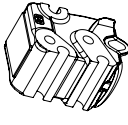


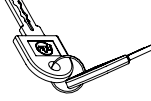

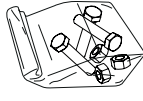




- ✓ AD-BLUE
- ✓ GT-LINE



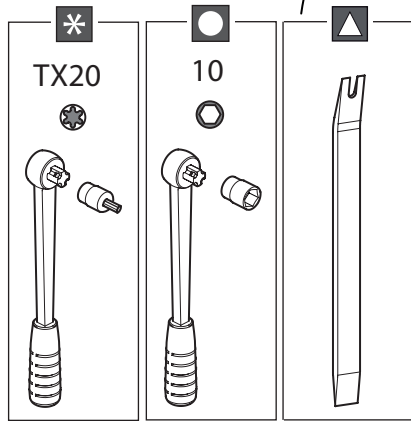
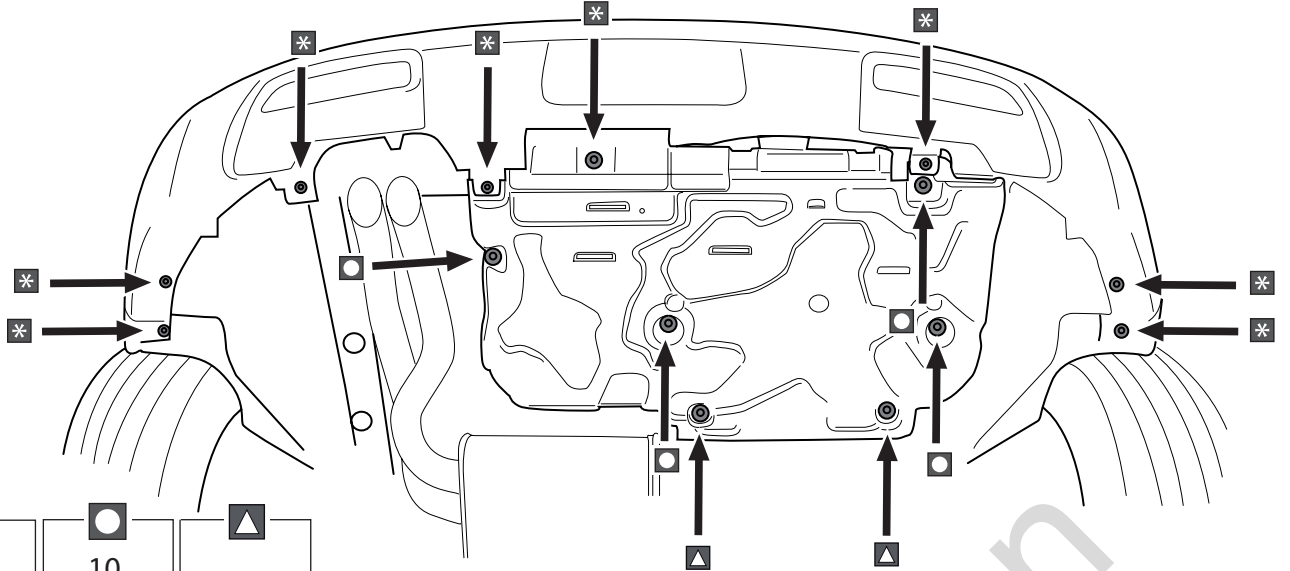


1		X1	GDW REF. 2231T60
2		X1	GDW REF. 2
3		X1	GDW REF. 3
4		X1	GDW REF. 4
5		X8	DIN125-A10-14OHV-ELVZ
6		X4	DIN9021-M10-ELVZ
7		X8	DIN128A-M10
8		X4	DIN933-M10 X 35
9		X8	DIN934-M10
10		X4	DIN9021-M8-ELVZ
11		X4	DIN128A-M8
12		X4	DIN933-M8 X 40

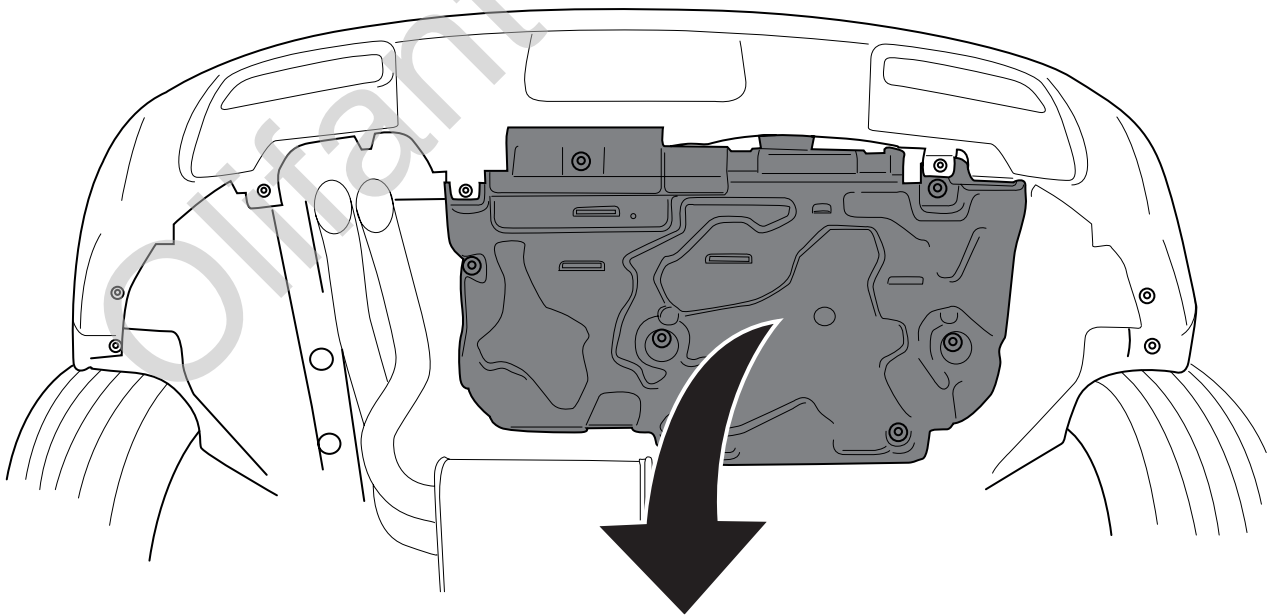
-P		X1	GDW REF. P38 + REF. 4
↳		X1	GDW REF. 4
↳		X1	DIN985-M6
↳		X2	6,2 X 15,4 X 1,6 (NYLON)
↳		X1	GDW REF. 718.16.002
↳		X1	GDW REF. 718.16.003
↳		X1	GDW REF. 908.094
↳		X1	DIN933-M6 X 30

Geleverd met - Livré avec - Delivered with Geliefert mit - Elementos adjuntos - Levers med		X1	GDW REF. 960.V0806
	↳ 	X1	GDW REF. 740.200
		X1	GDW REF. 912.003
	↳ 	X1	GDW REF. 740.112
	↳ 	X1	GDW REF. 740.111
		X1	GDW REF. 740.114
		X1	GDW REF. 718.15.001
		X1	GDW REF. SYST60-100
	↳ 	X2	DIN933-M12 X 25
	↳ 	X2	DIN933-M12 X 20
	↳ 	X4	Ø 14 X 24 X 1
	↳ 	X4	DIN128A-M12

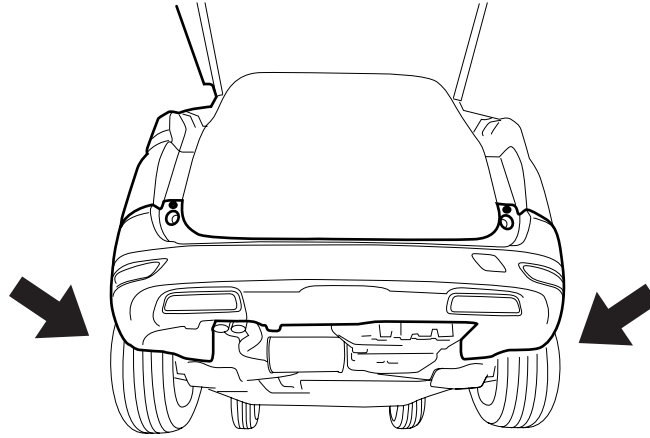
1



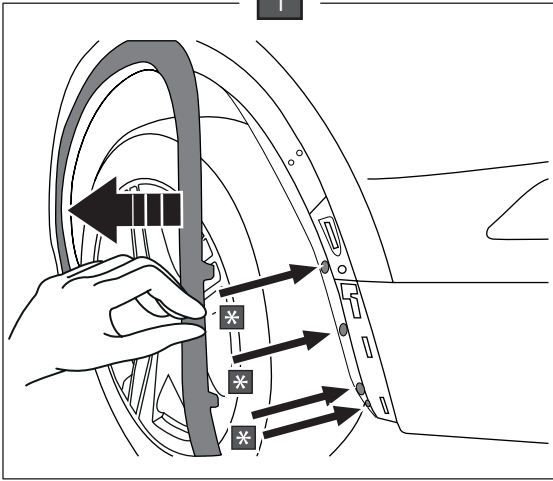
2



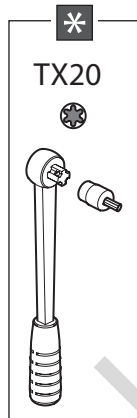
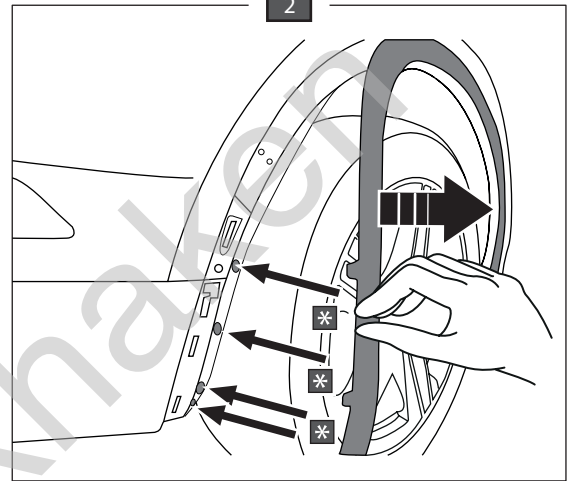
3



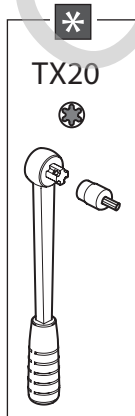
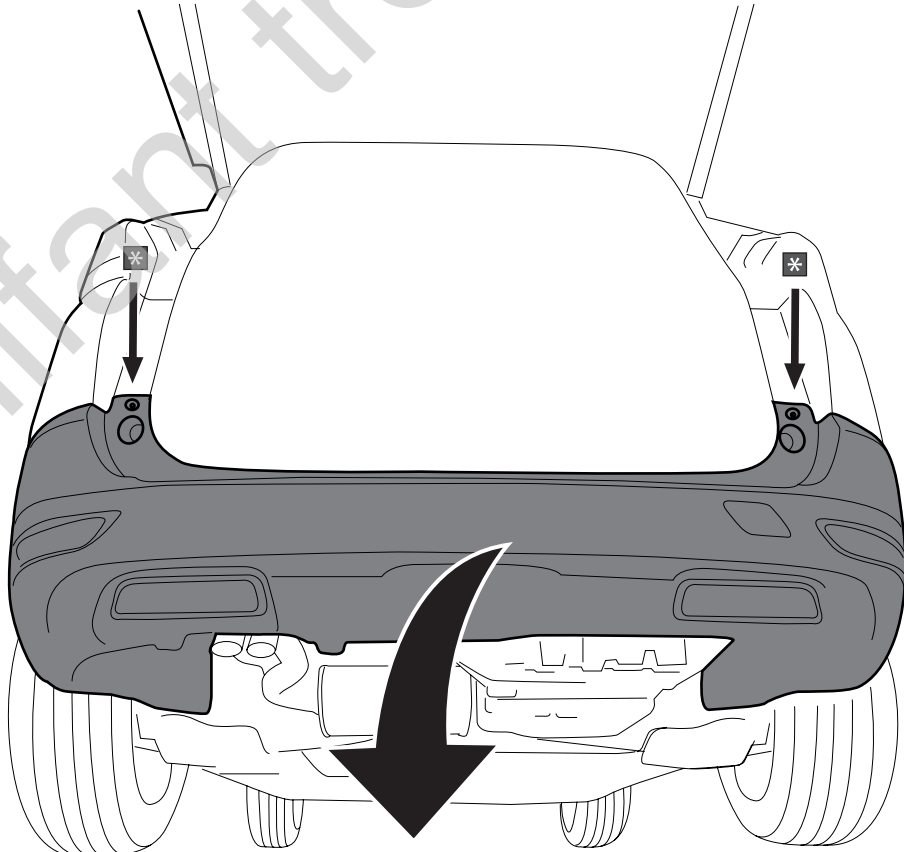
1



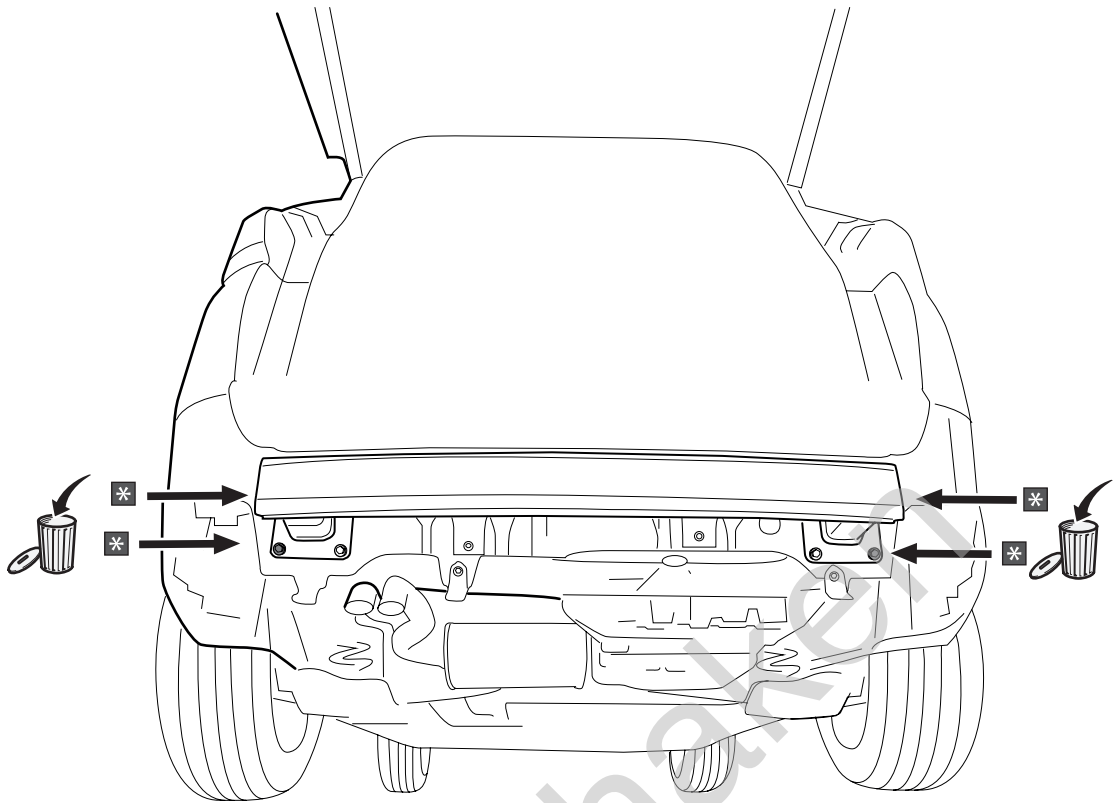
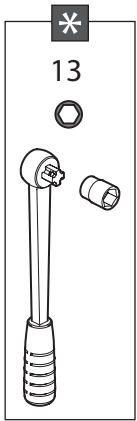
2



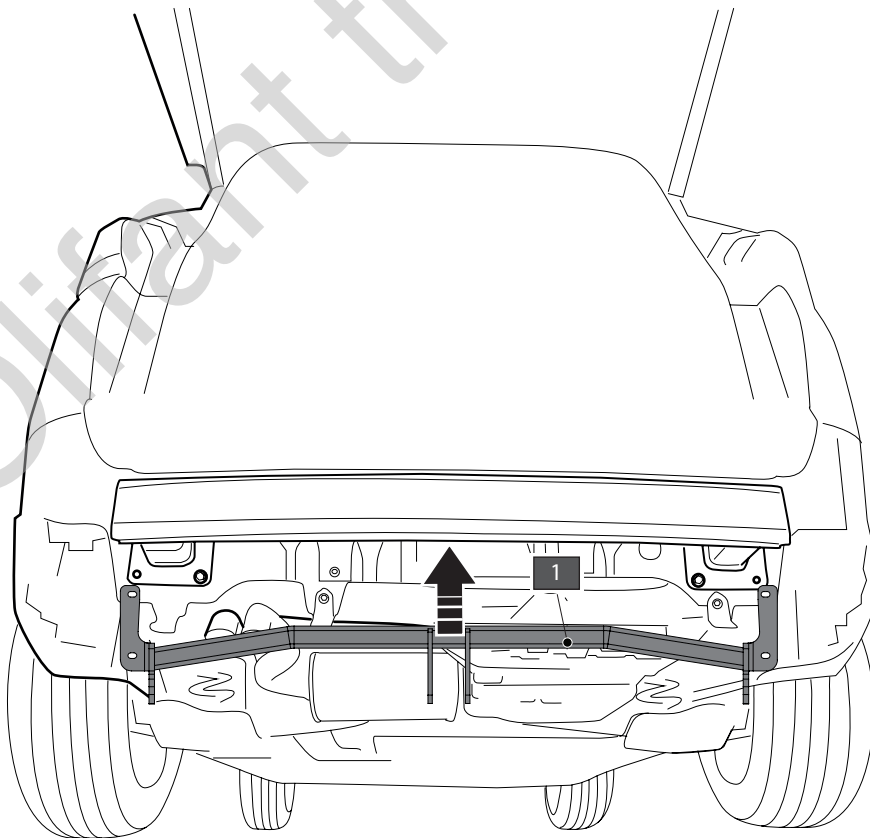
4



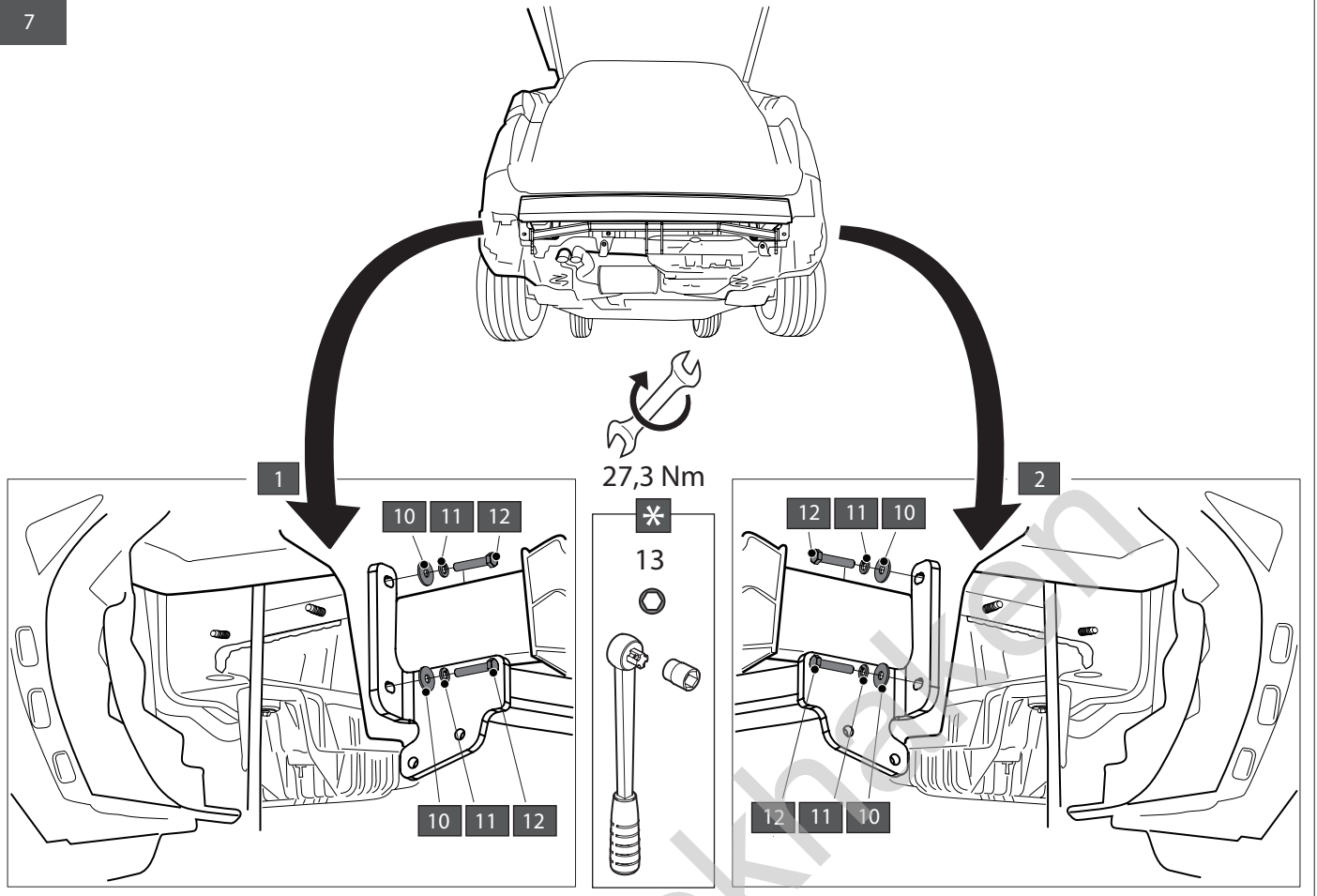
5



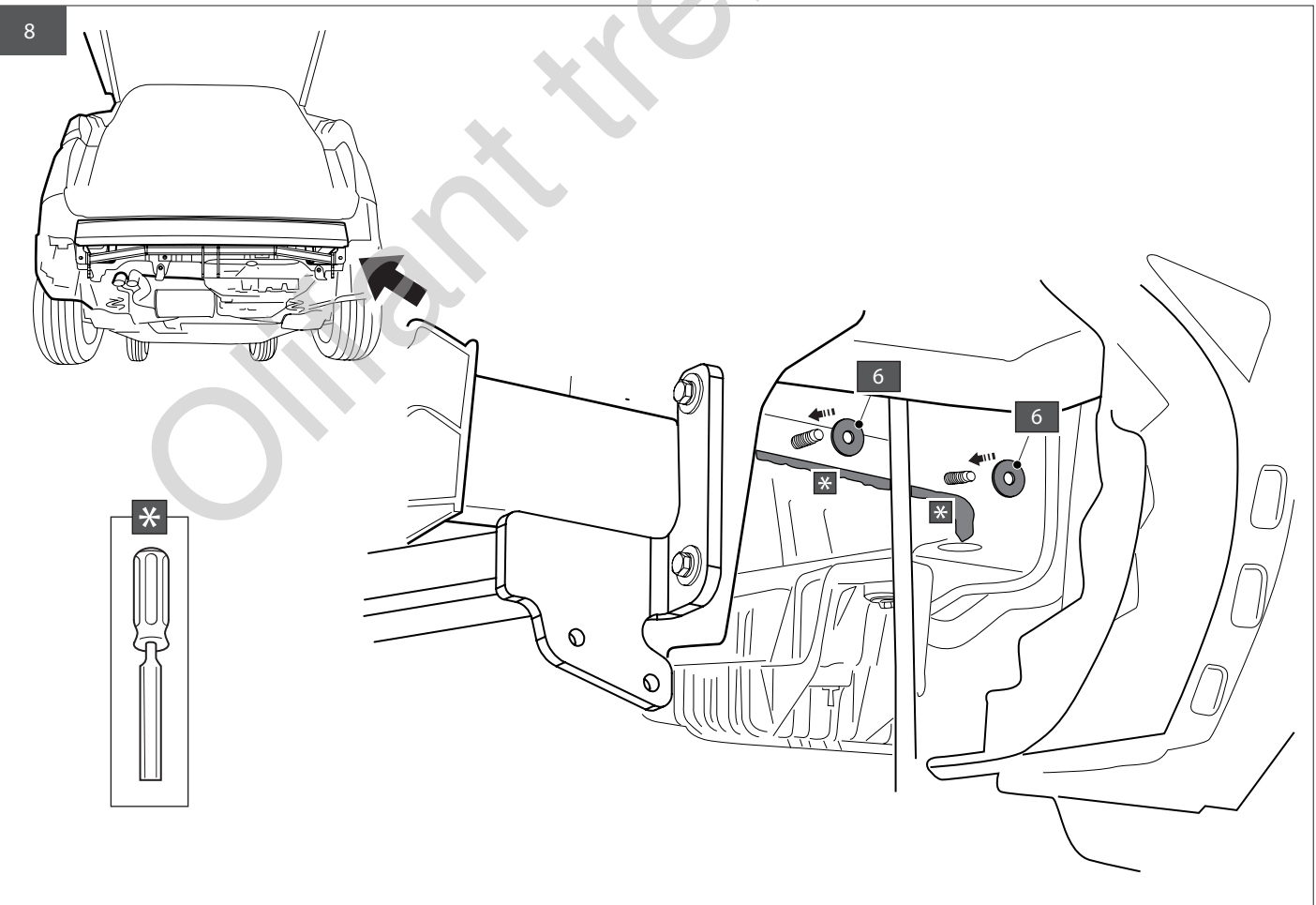
6



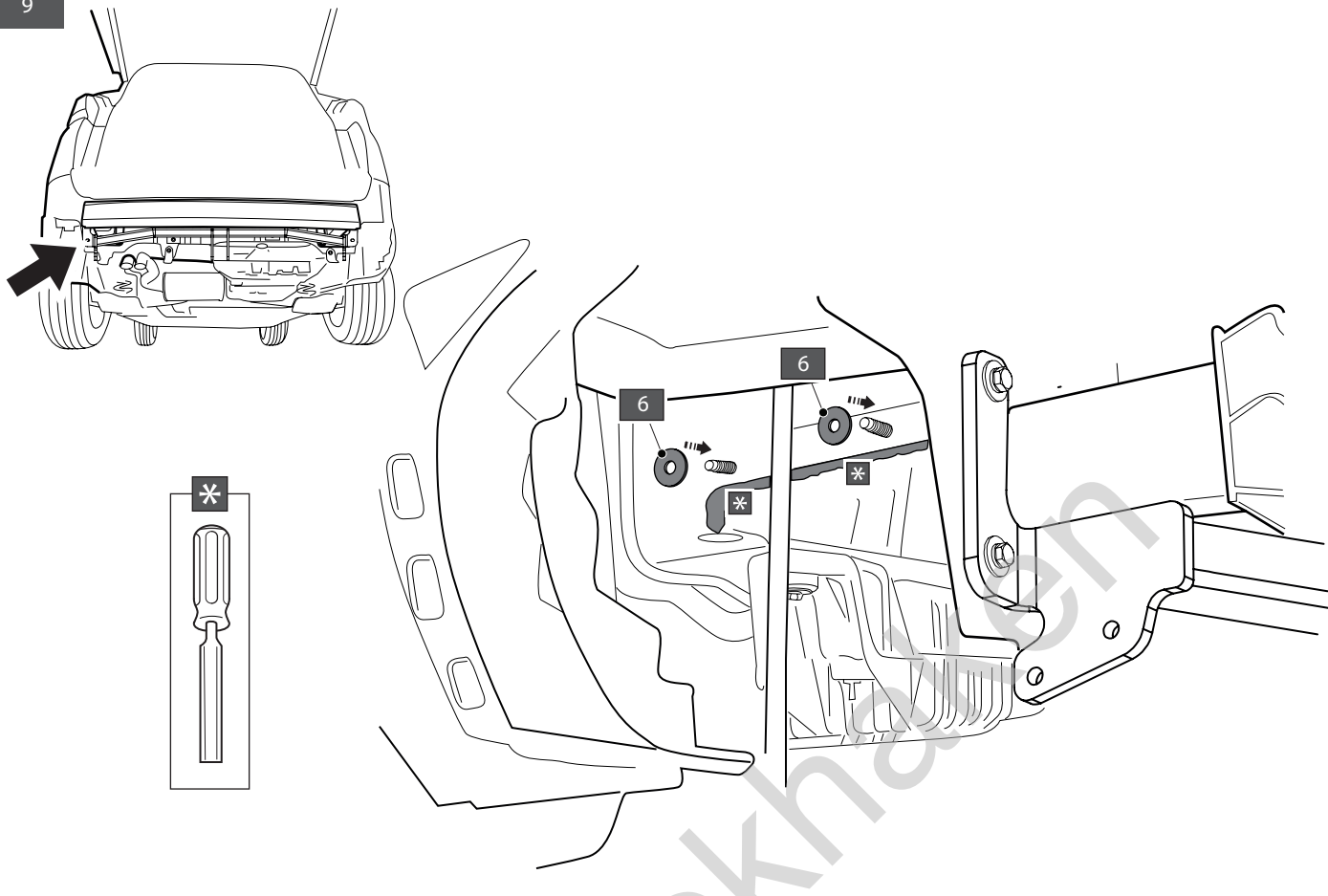
7



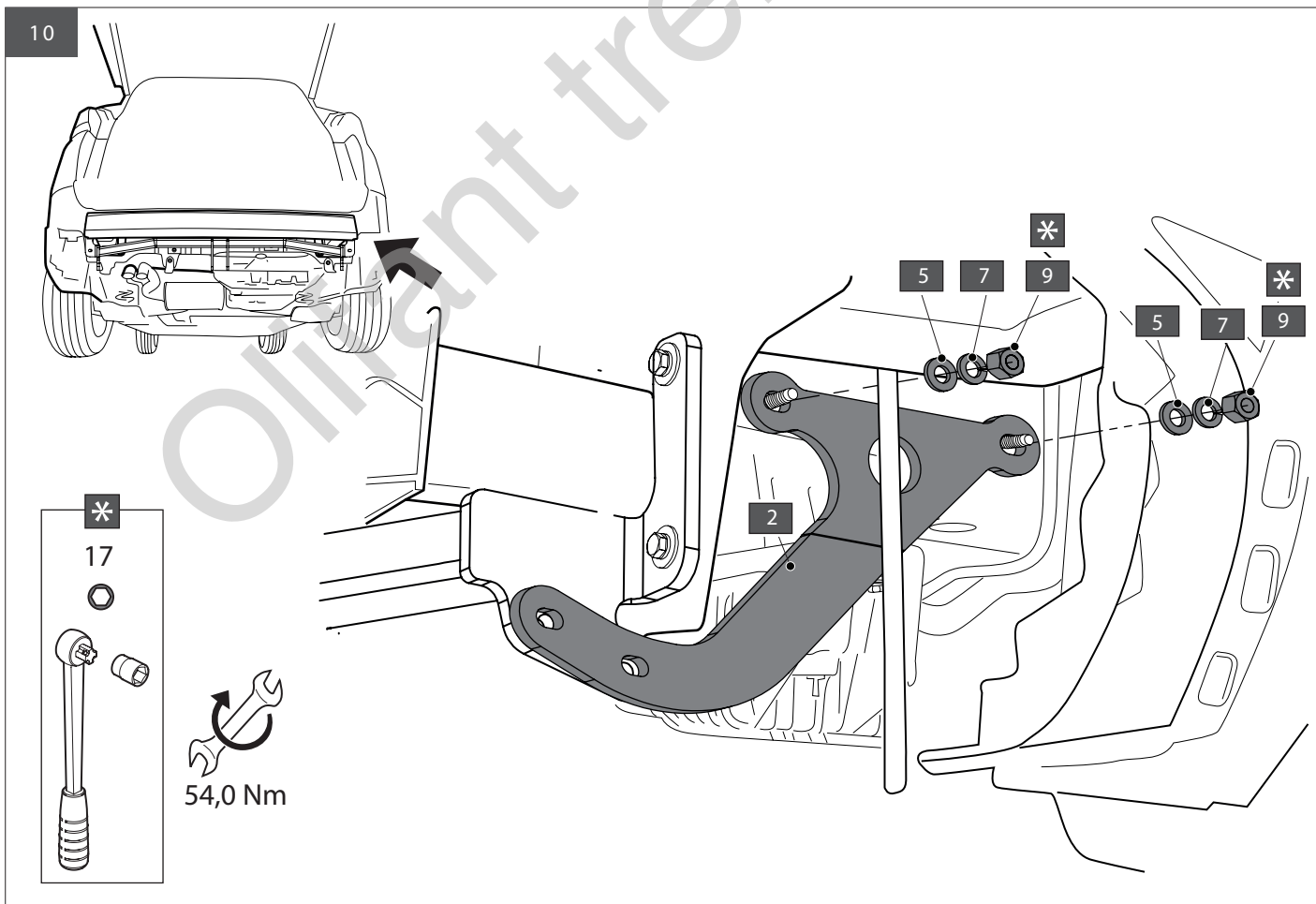
8



9

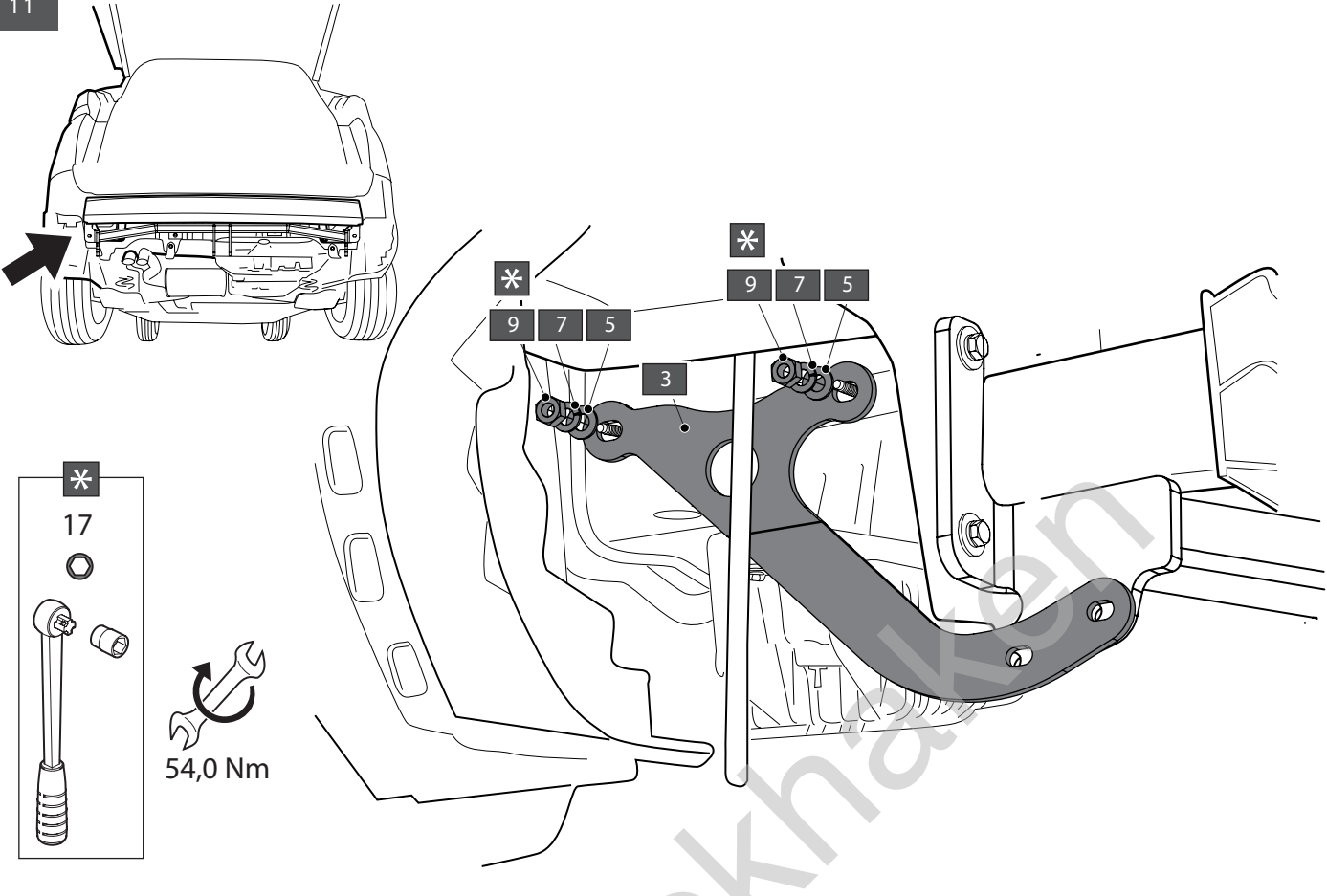


10

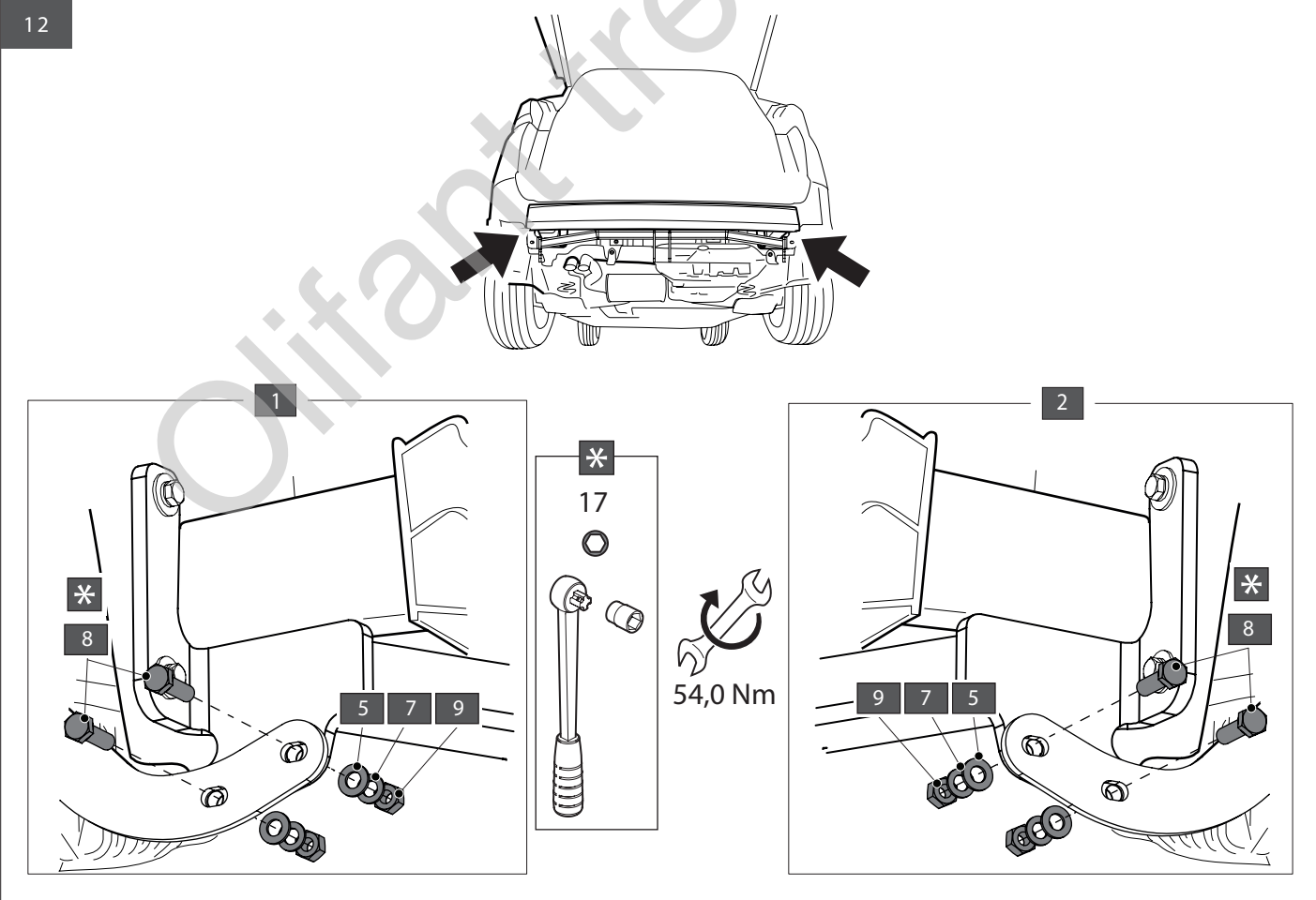


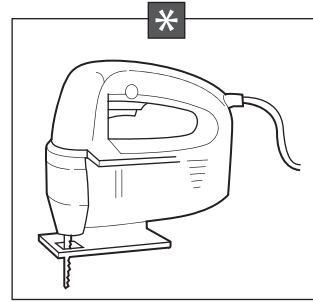
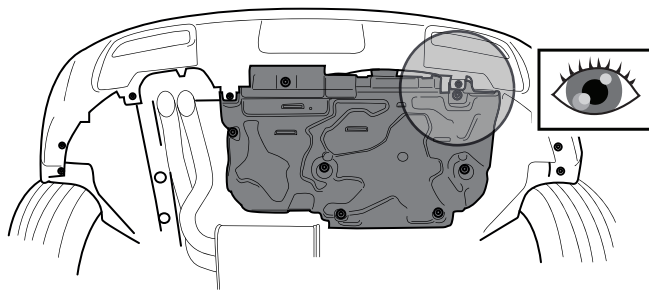


11

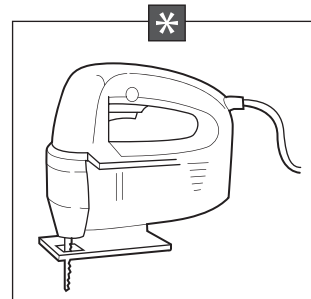
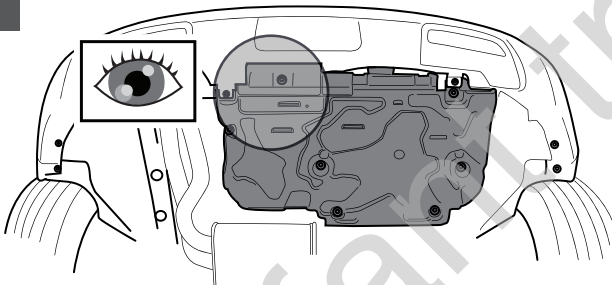
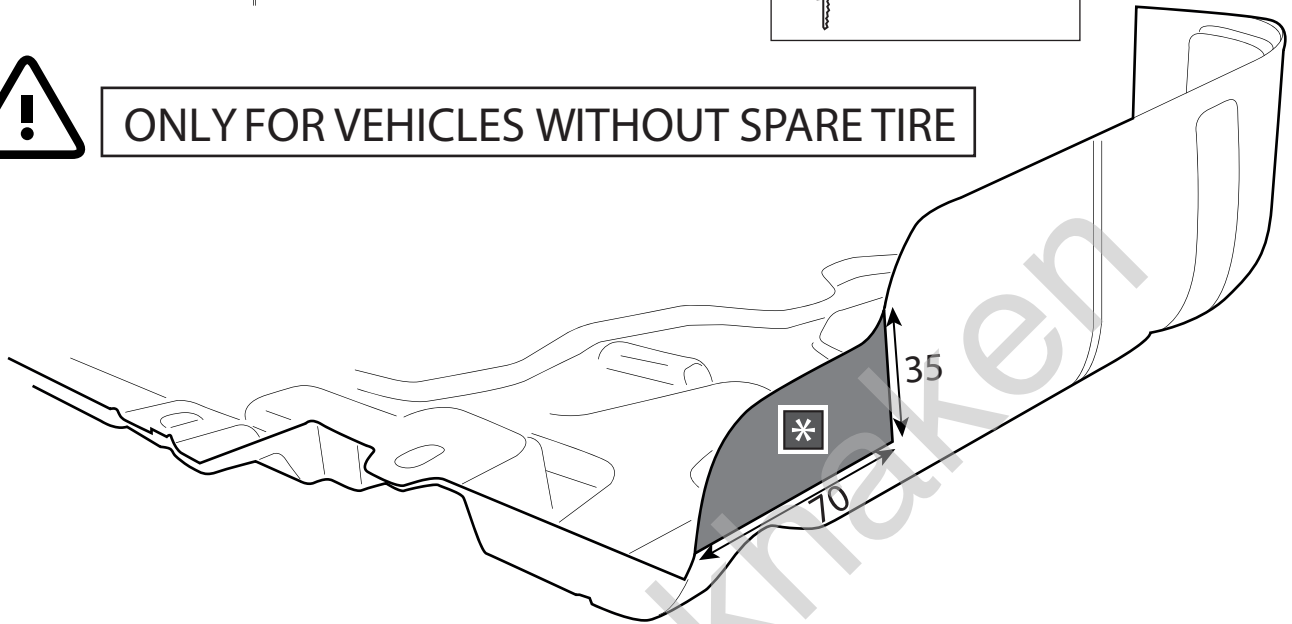


12

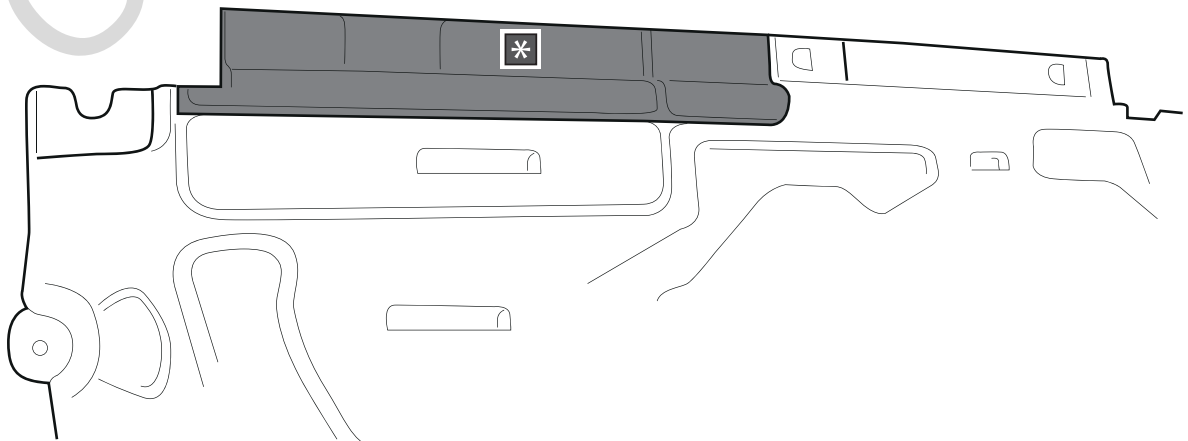




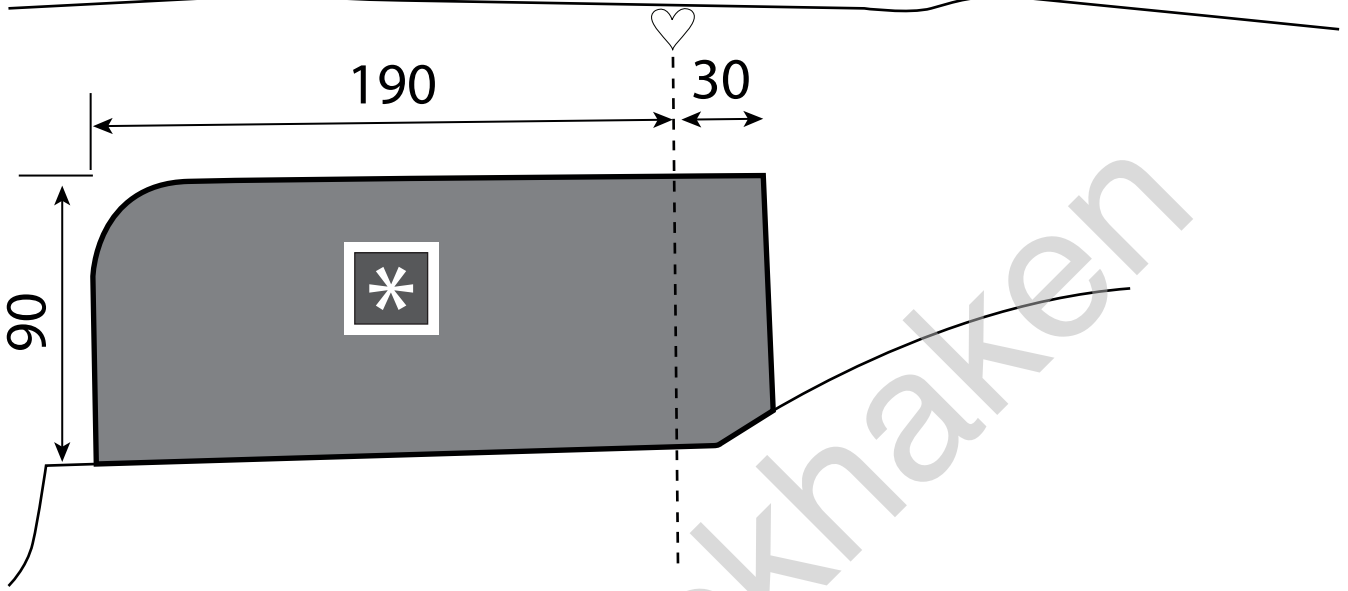
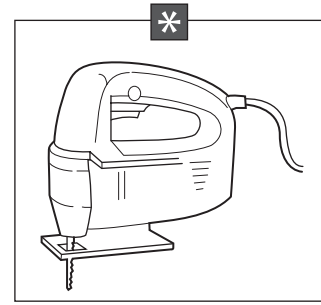
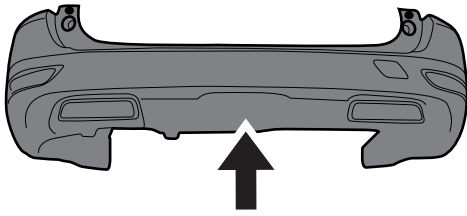
ONLY FOR VEHICLES WITHOUT SPARE TIRE



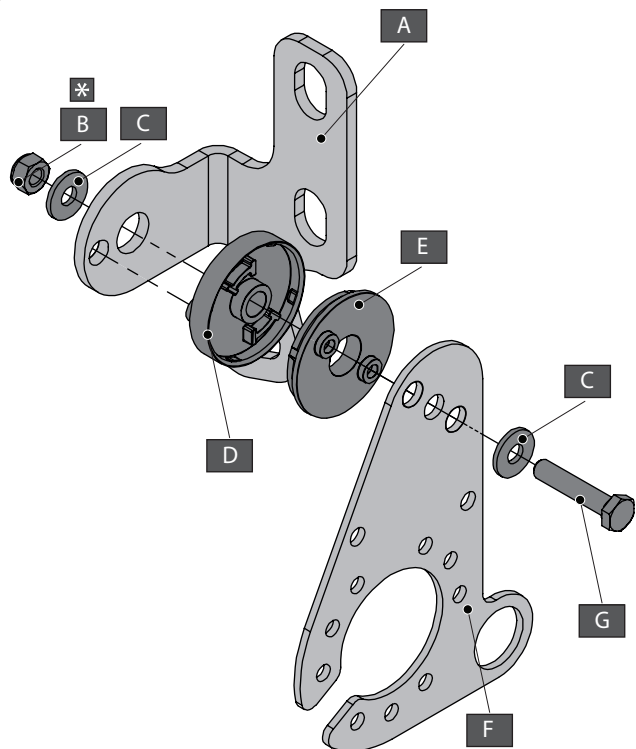
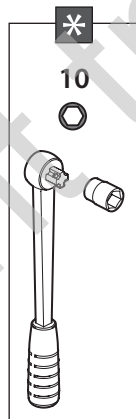
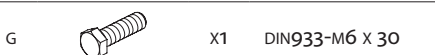
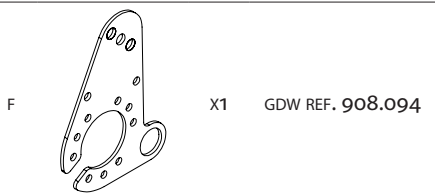
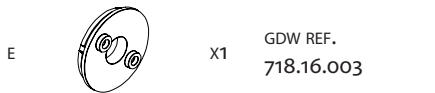
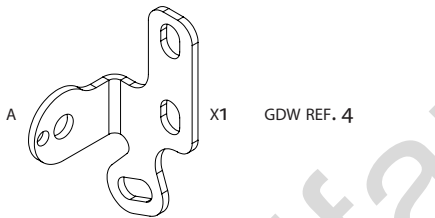
ONLY FOR VEHICLES WITHOUT SPARE TIRE

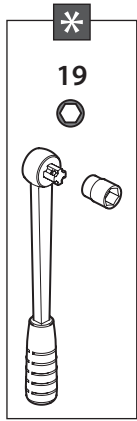


15

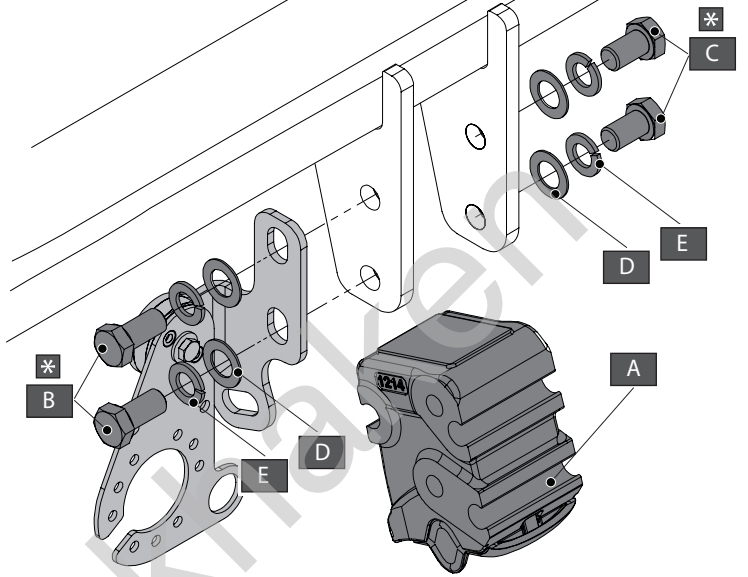
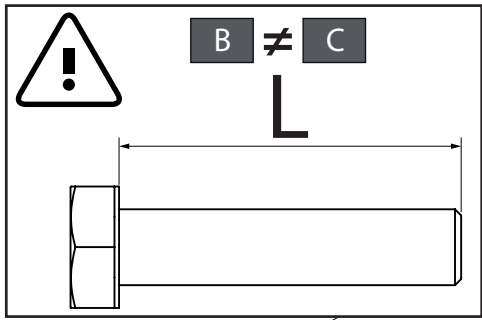


16





85,0 Nm



A		X1	912.003
B		X2	DIN933-M12 X 25
C		X2	DIN933-M12 X 20
D		X4	Ø 14 X 24 X 1
E		X4	DIN128A-M12

