

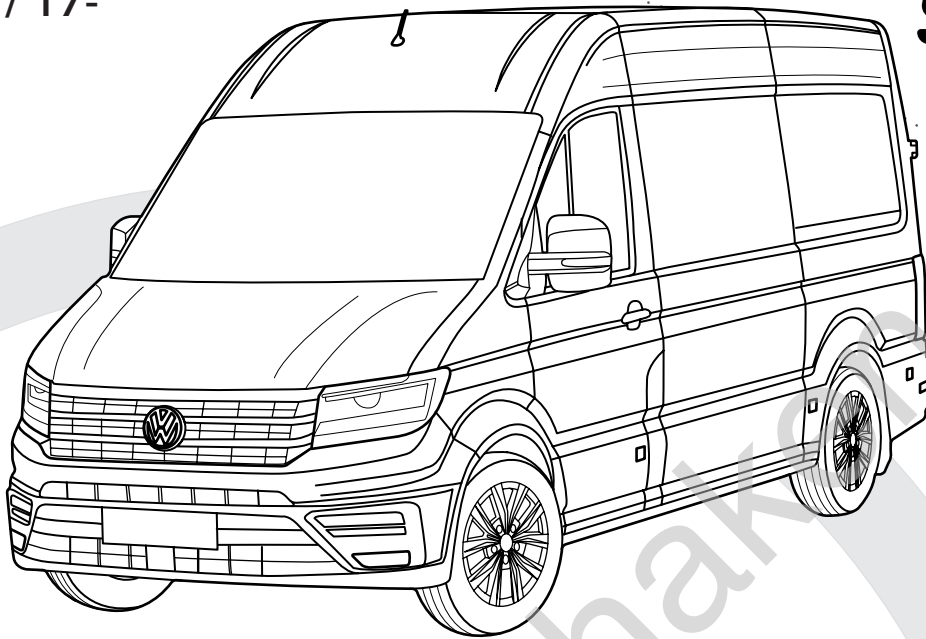


TREKHAKEN • ATTELAGES • ANHÄNGERVORRICHTUNGEN • TOWBARS • ENHANCES • ANHÆNGERTRÆK

Montagehandleiding | instructions de montage | Einbauanleitung | Mounting instruction  
Instrucciones de montaje | monteringsvejledning

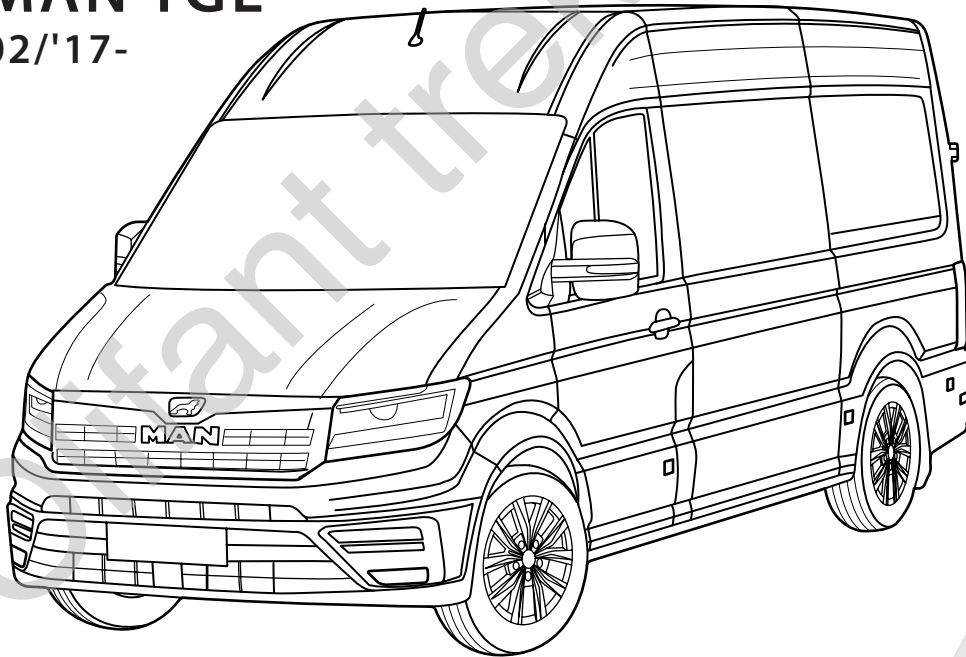
# Volkswagen Crafter

01/'17-

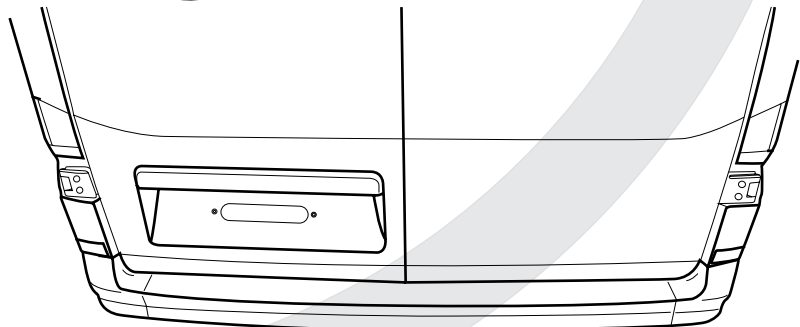


# MAN TGE

02/'17-



ZONDER OE OPSTAP  
SANS MARCHE-PIED OE  
OHNE OE TRITSTUFE  
WITHOUT OE STEP  
SIN PASO OE  
UDEN OE TRIN  
SENZA PASSO OE




GdW nv, Hoogmolenwegel 23 | B | 8790 Waregem | T +32 (0)56 60 42 12 | F +32 (0)56 60 01 93 | [gdw@gdwtowbars.com](mailto:gdw@gdwtowbars.com) | [www.gdwtowbars.com](http://www.gdwtowbars.com)

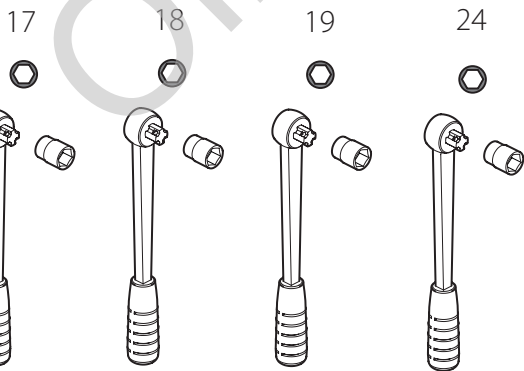
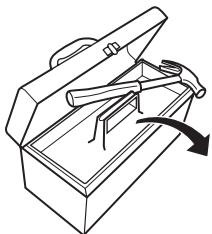
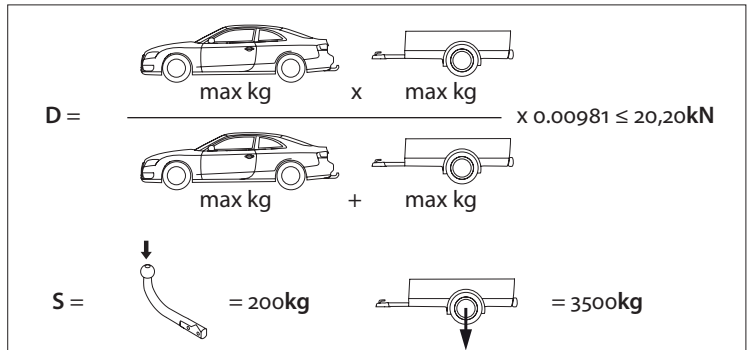
REVISIENUMMER 002 | N° REVISION 002

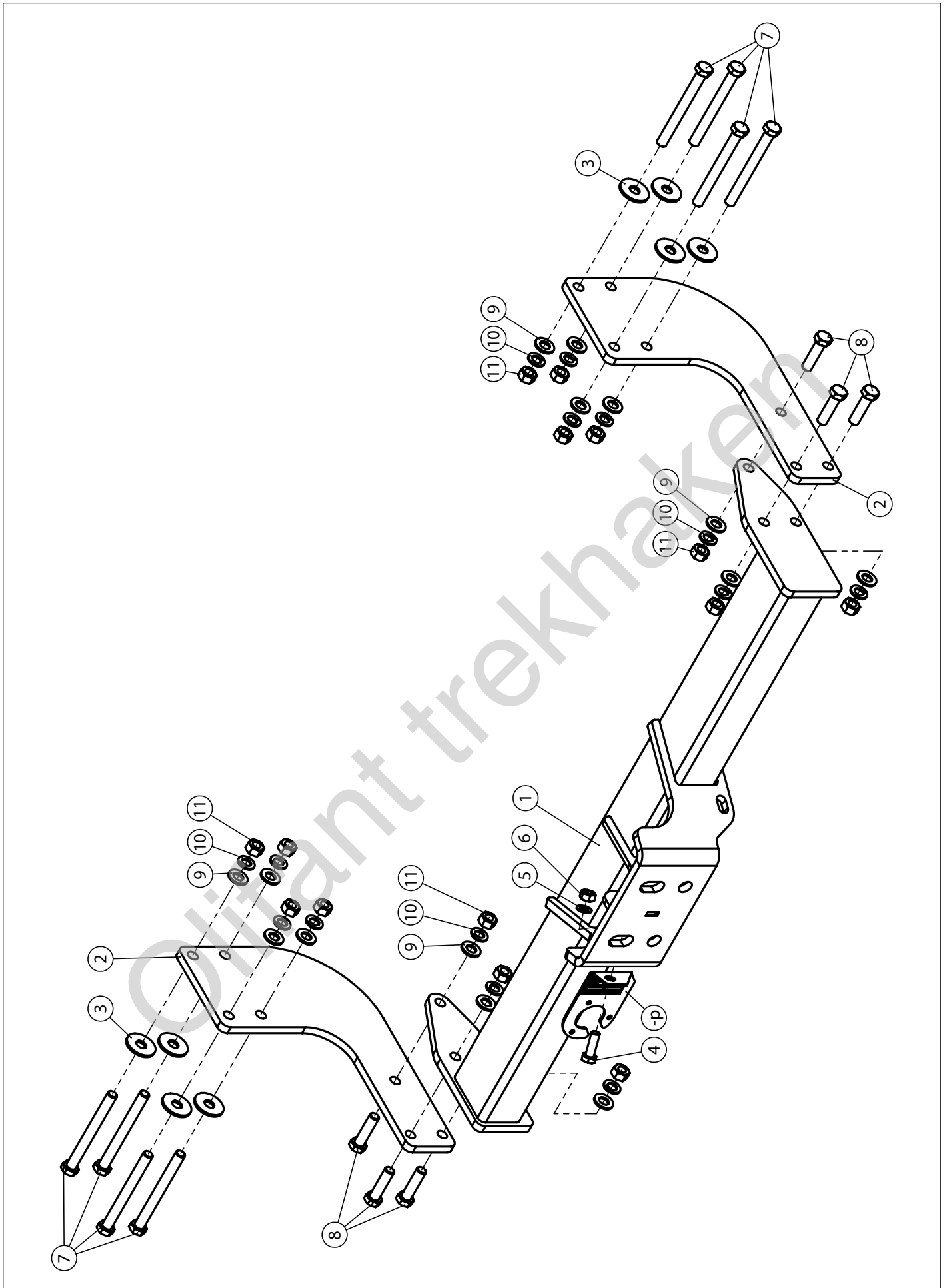
01•03•21

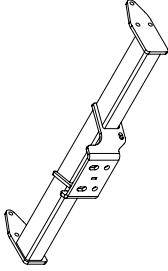
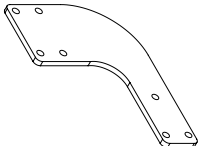
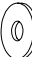








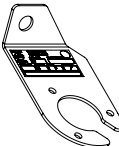
2213

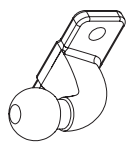




See the Certificate Of Conformity (COC) of your vehicle or contact your dealer to verify the max. trailer weight of your car!

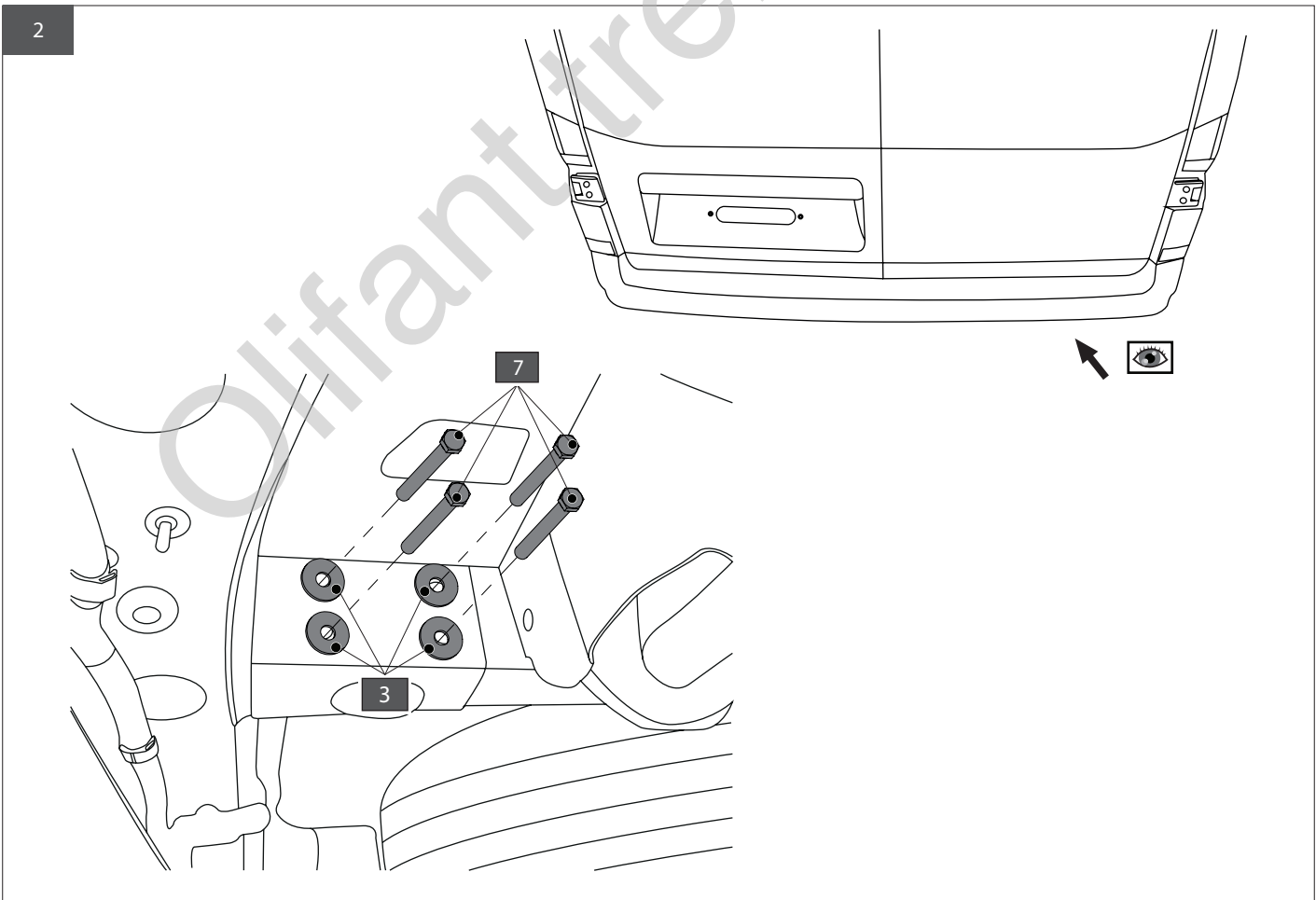
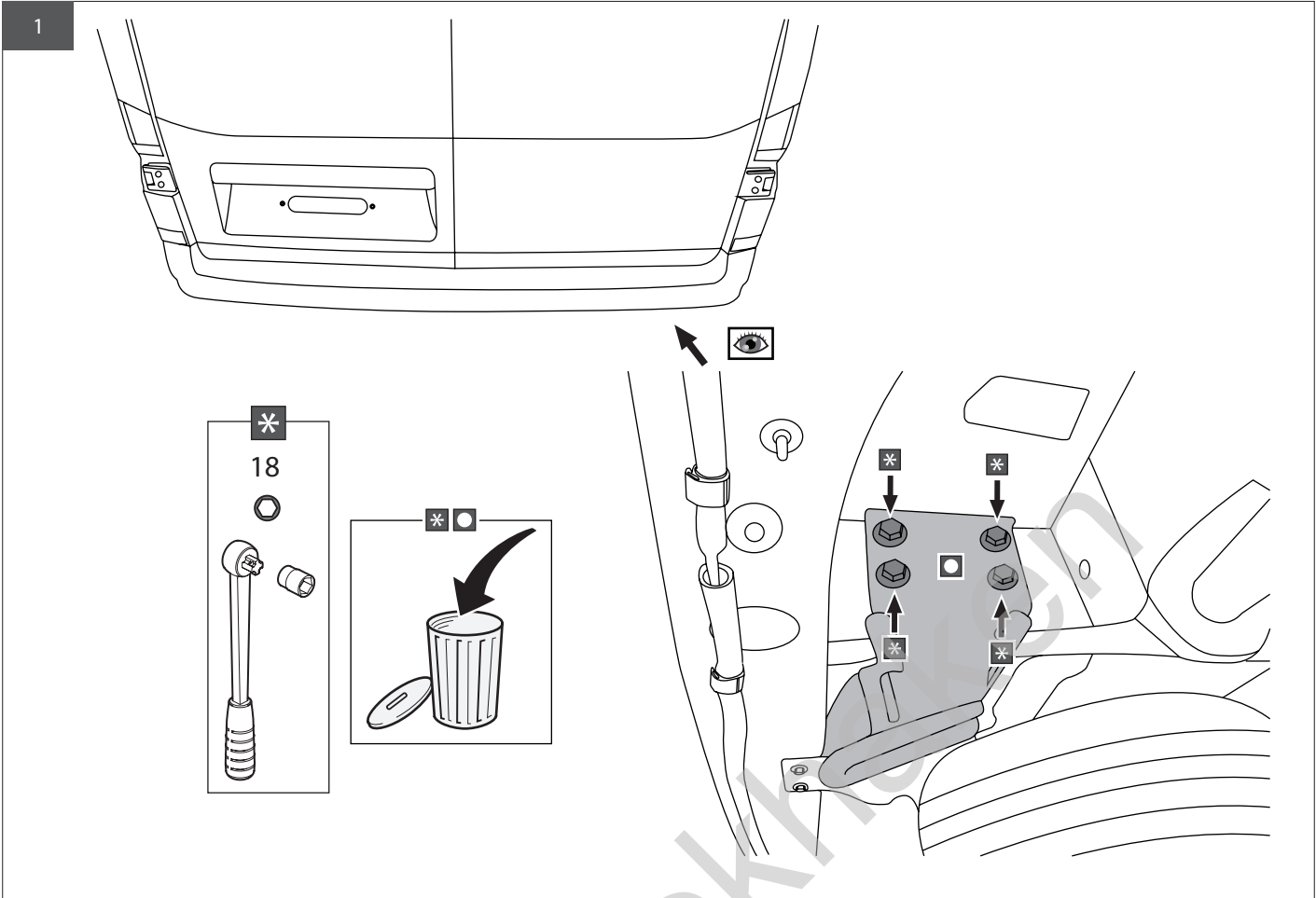
MADE BY 	D 20,20	F	E6
BELGIUM	S 200	EC APPROVAL N° 55R-011371	
REF N° 2213	SERIE N°		
OMSCHRIJVING Volkswagen Crafter 01/'17- MAN TGE 02/'17-			



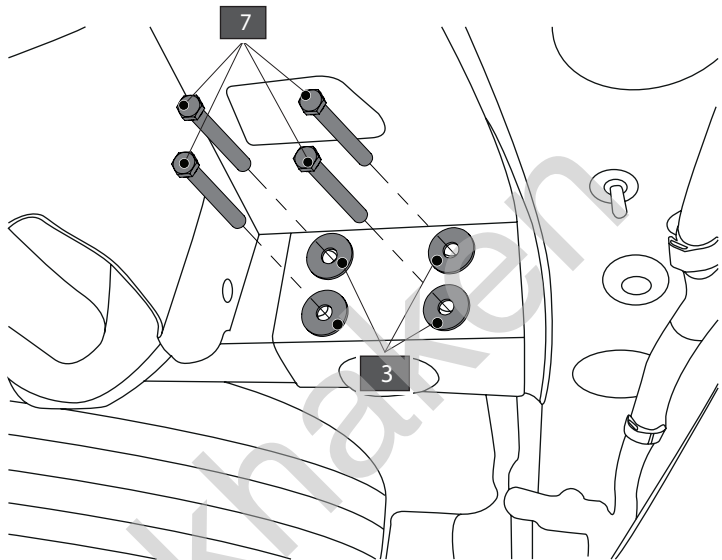
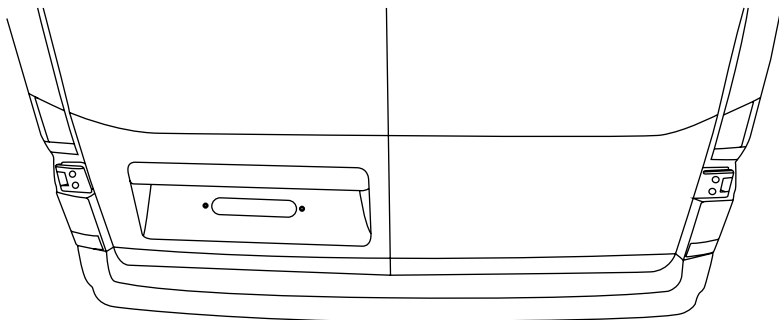


1		X1	GDW REF. 2213
2		X2	GDW REF. 2
3		X8	DIN9021-M12-ELVZ
4		X1	DIN933-M10X30
5		X1	DIN28A-M10
6		X1	DIN934-M10
7		X8	DIN931-M12X120
8		X6	DIN931-M12X45
9		X14	DIN25-A12-140HV- ELVZ
10		X14	DIN28A-M12
11		X14	DIN934-M12
-P		X1	GDW REF. P29

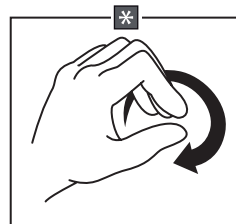
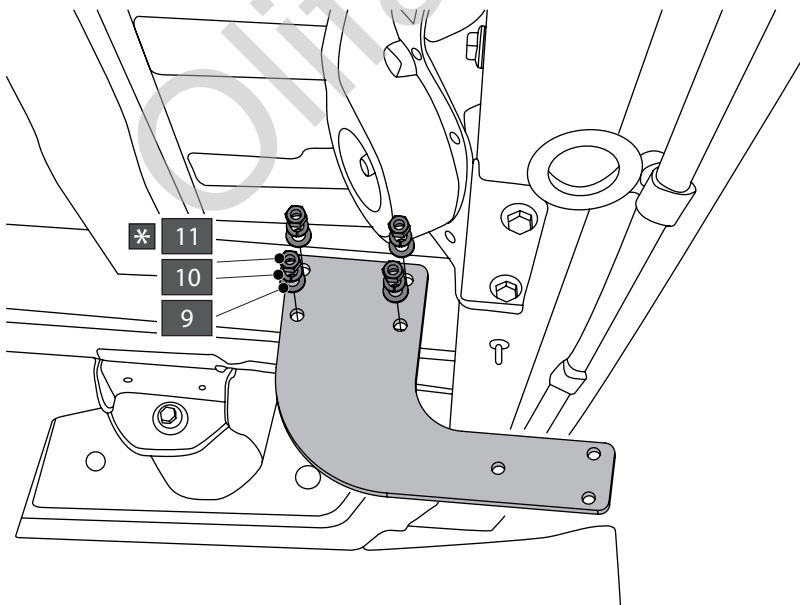
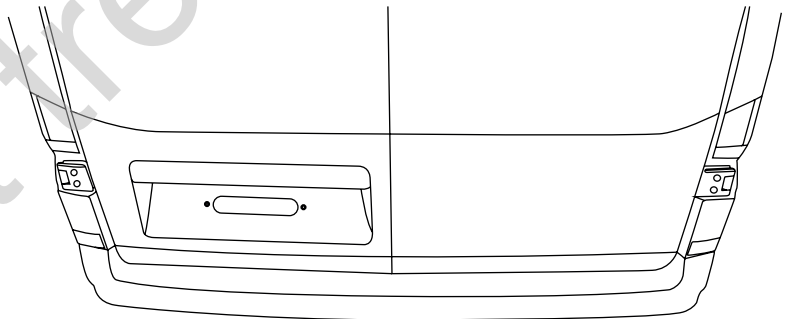
Geleverd met - Livré avec - Delivered with Gellefert mit - Elementos adjuntos-Leveres med		X1	740.000
		X2	DIN128A-M16
		X2	DIN933-M16 X 50 - 10.9
		X2	DIN934-M16 - KL10
		X2	DIN125-A16-140HV- ELVZ



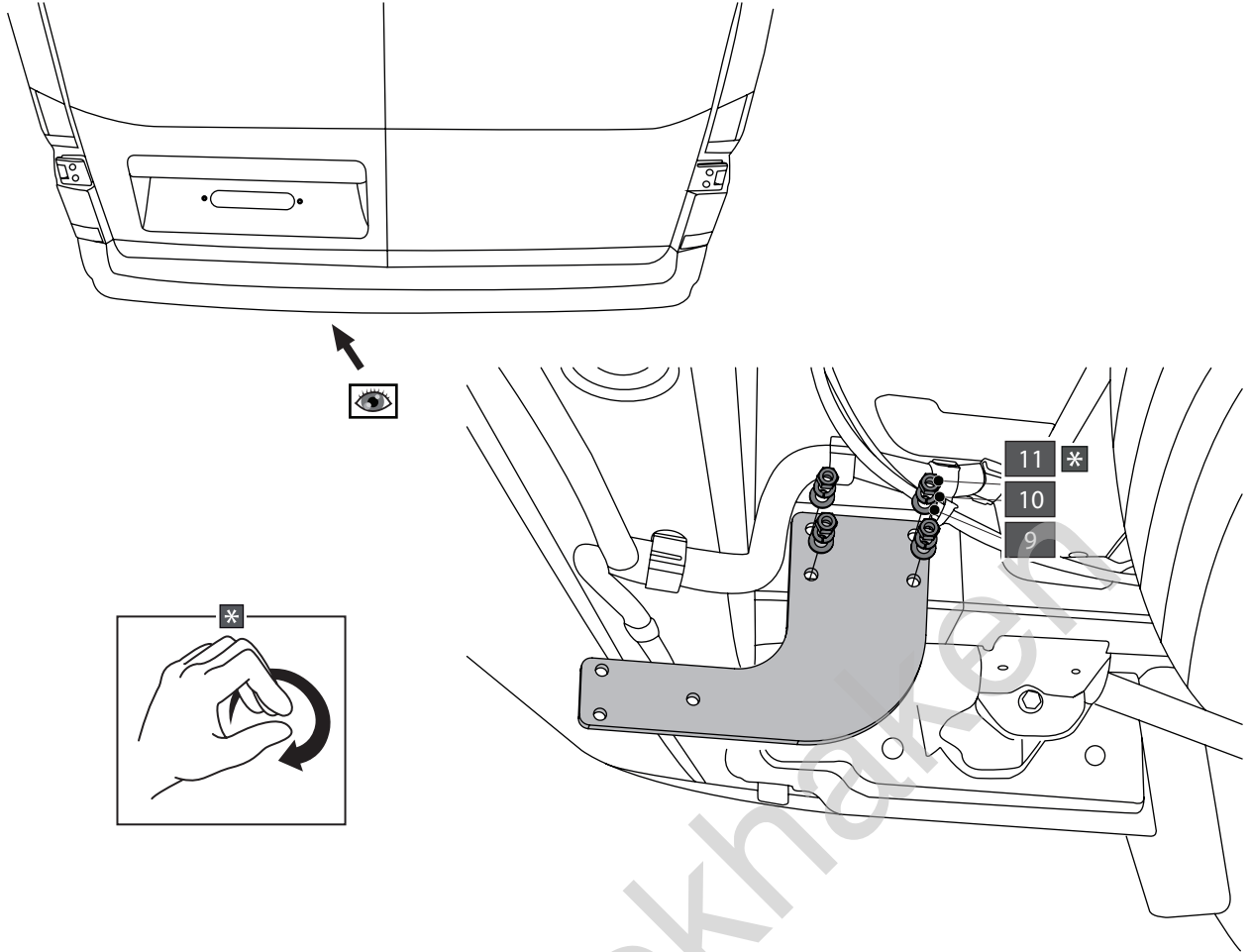
3



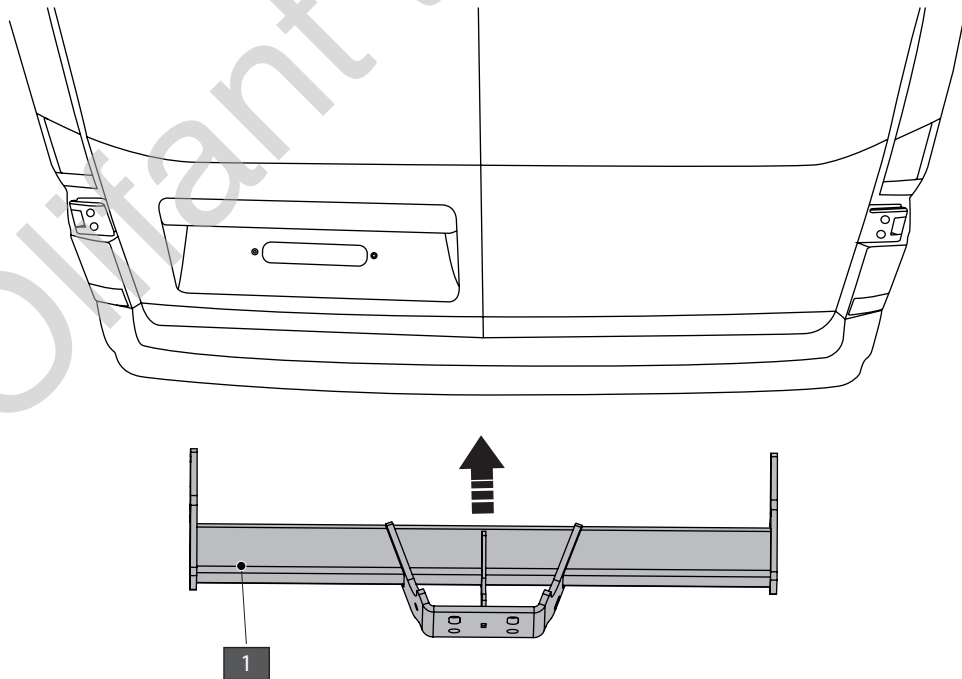
4



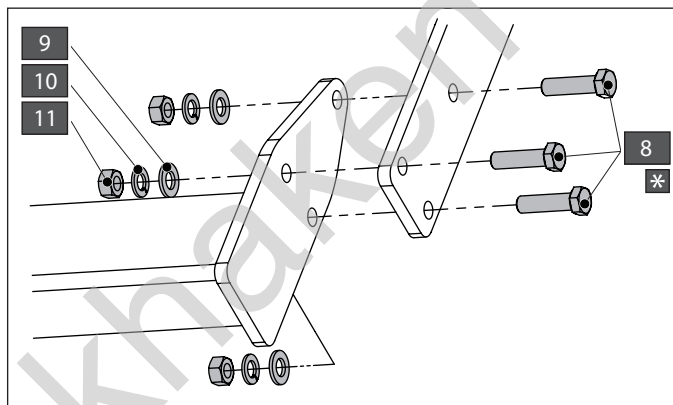
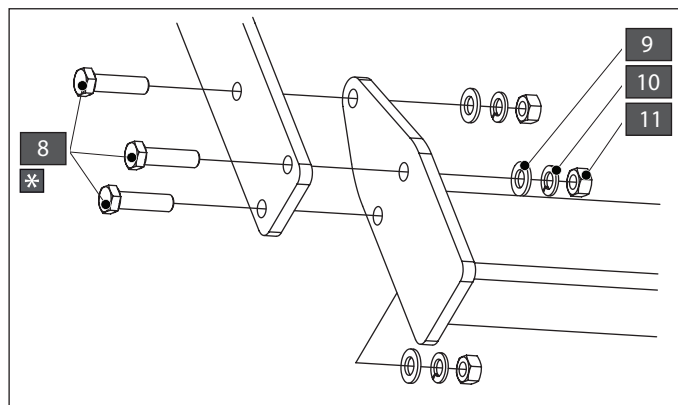
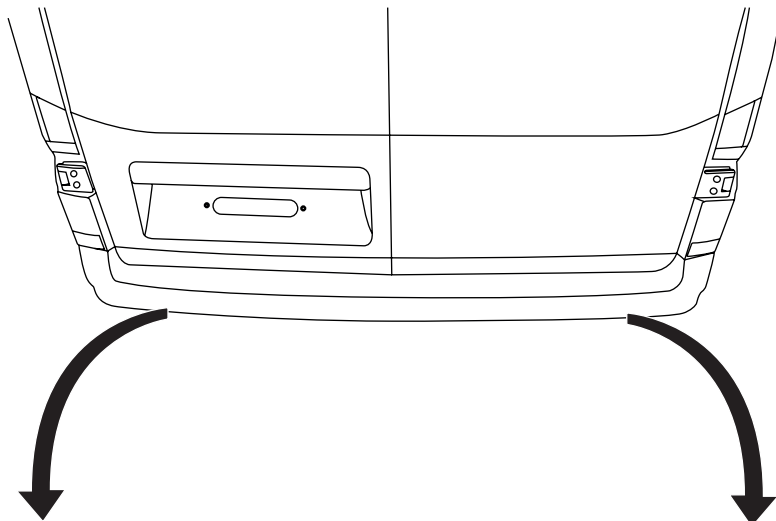
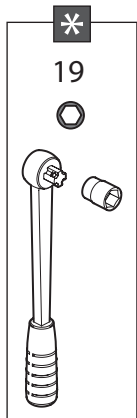
5



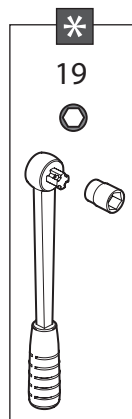
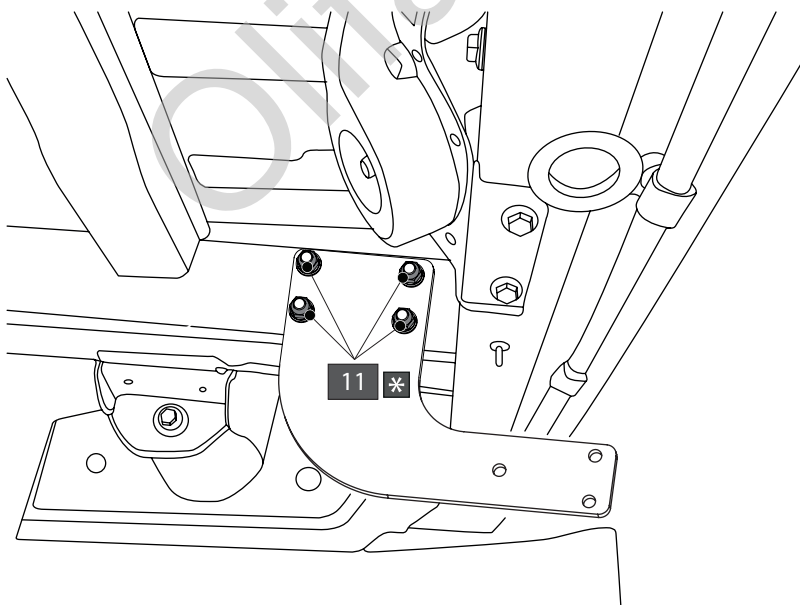
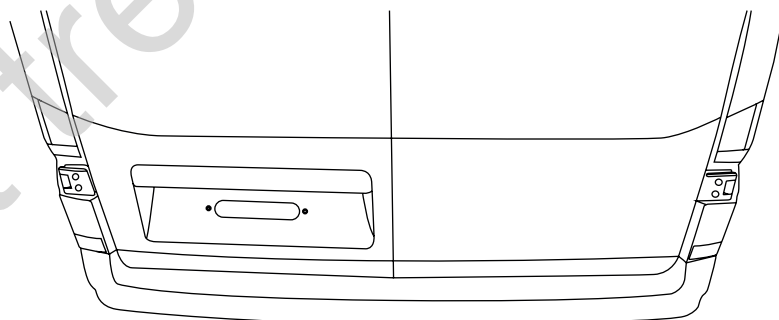
6



7

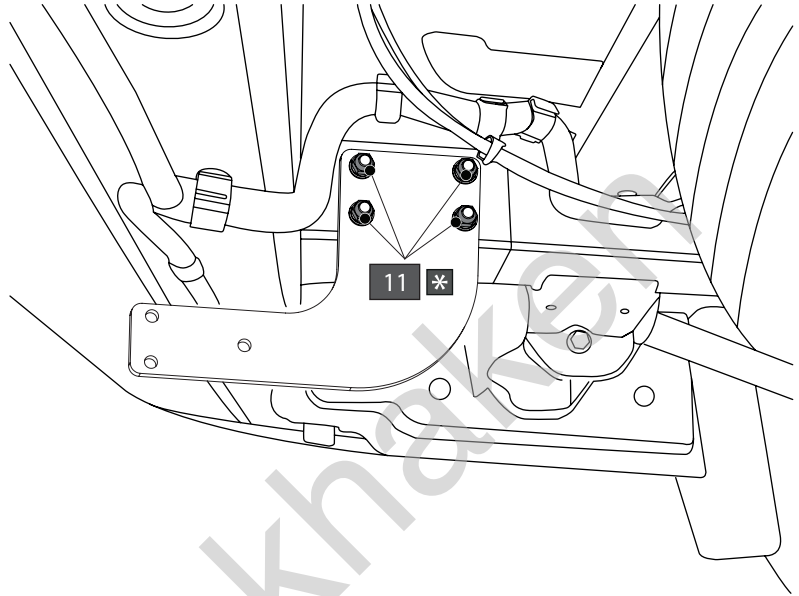
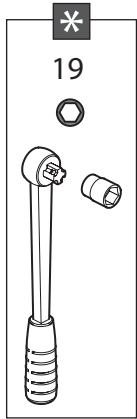
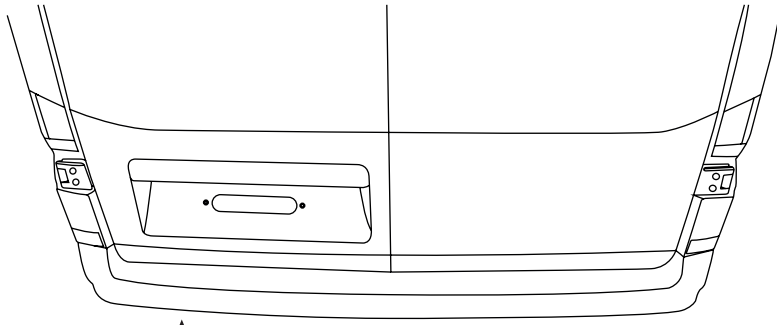


8

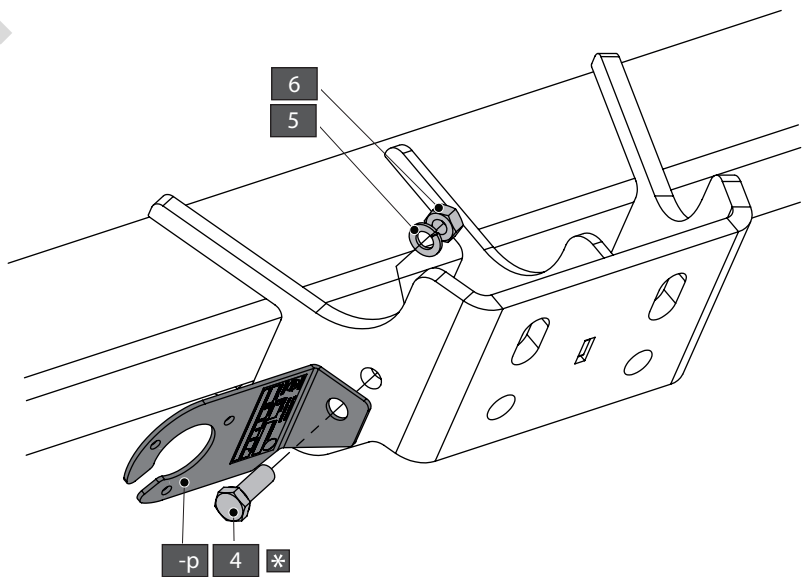
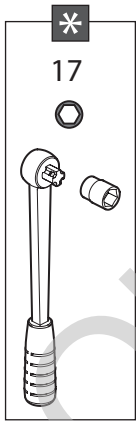




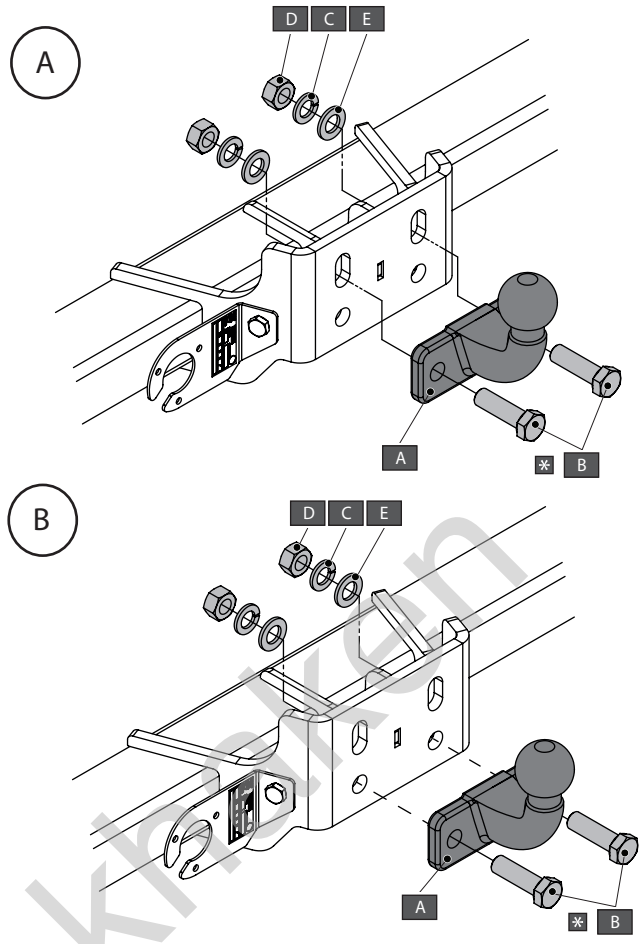
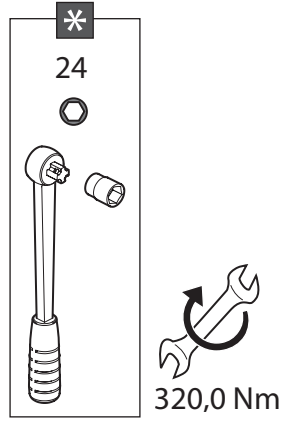
9



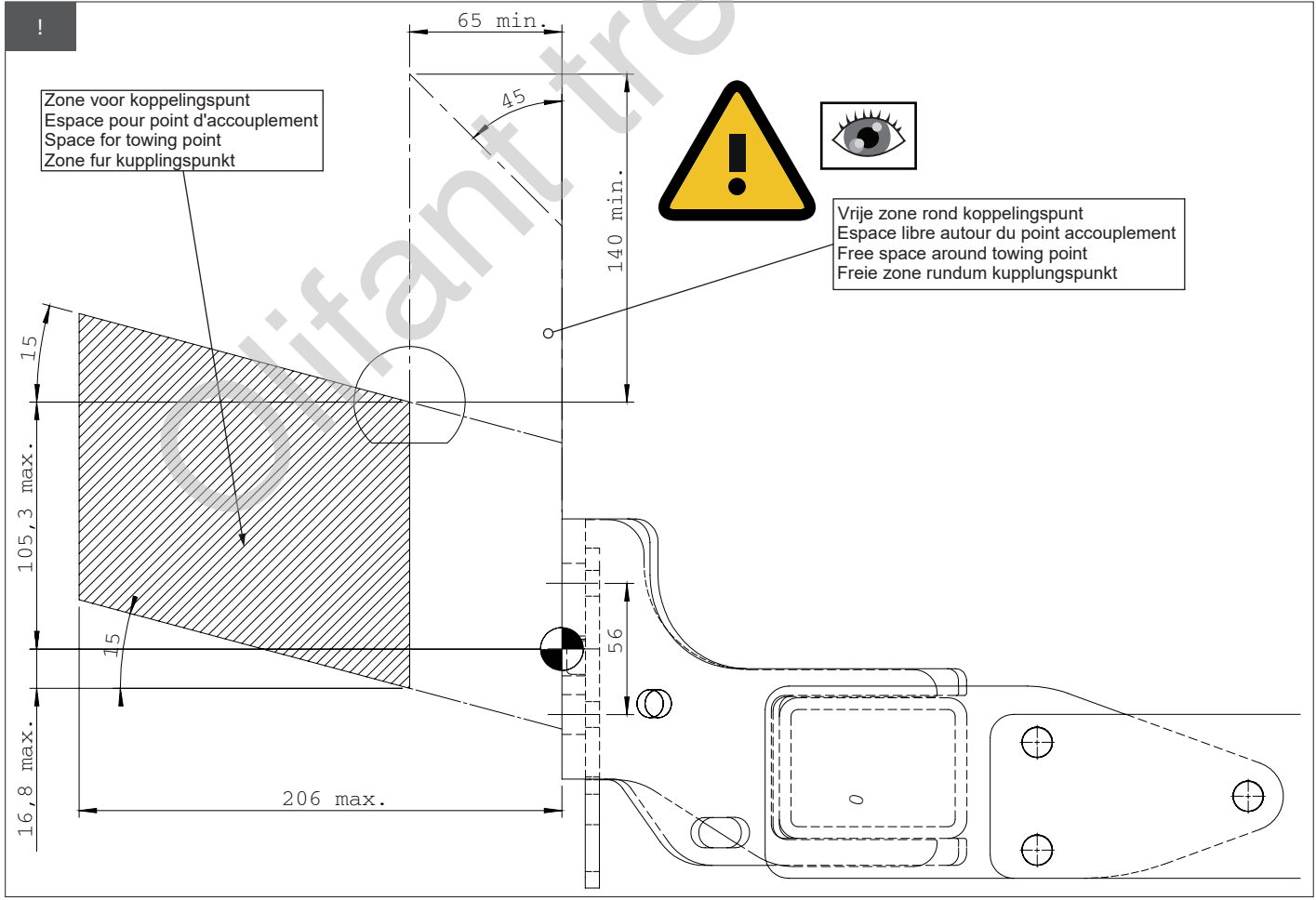
10

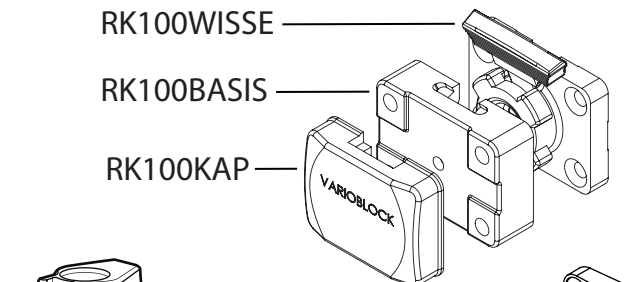

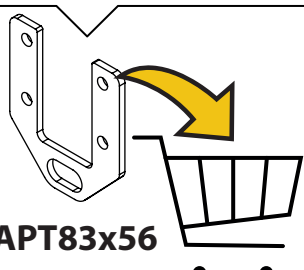
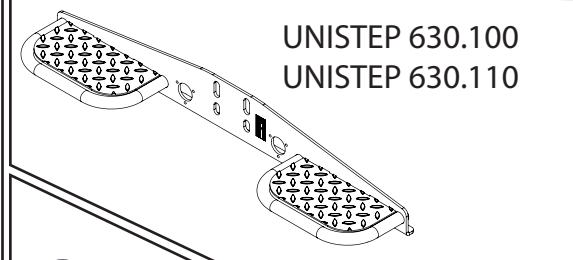
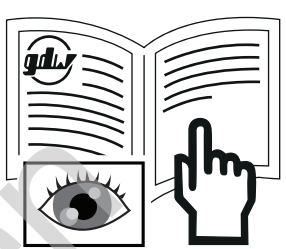

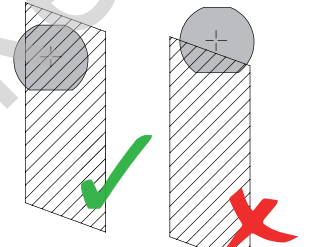


-P		X1	GDW REF. P29
4		X1	DIN933-M10X30
5		X1	DIN128A-M10
6		X1	DIN934-M10



A		X1	740.000
B		X2	DIN933-M16X50 - 10.9
C		X2	DIN128A-M16
D		X2	DIN934-M16 - KL10
E		X2	DIN125-A16-140HV- ELVZ



<p>RK100WISSE</p> <p>RK100BASIS</p> <p>RK100KAP</p>  <p>RK243U115E</p> <p>740.010</p> <p>740.011</p>   <p>Art. <b>ADAPT83x56</b></p>	<p>UNISTEP 630.100</p> <p>UNISTEP 630.110</p>  <p>740.043</p>  <p>+</p>  
--	---

