



**Mercedes C Coupé Phase I (type C205) + C Cabrio A205**

10/'15 - 06/'18

STANDARD ✓ ... AMG-LINE ✓

10/'16 - 06/'18

STANDARD ✓ AMG-LINE ✓



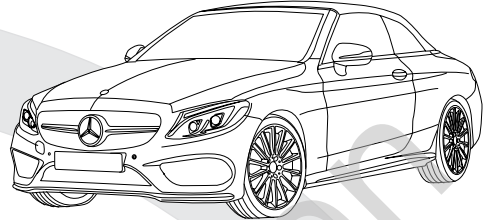
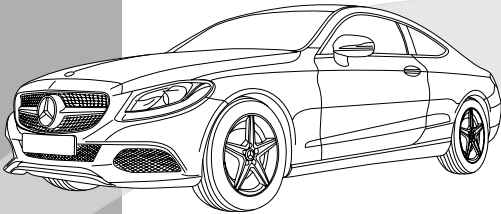
**Mercedes C Coupé Phase II (type C205) + C Cabrio A205**

07/'18 -

STANDARD ✓ AMG-LINE ✗

07/'18 -

STANDARD ✓ AMG-LINE ✗



**Mercedes C W205 + C Break S205**

12/'13 -

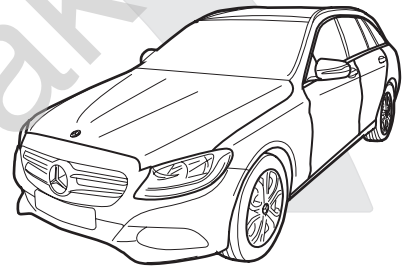
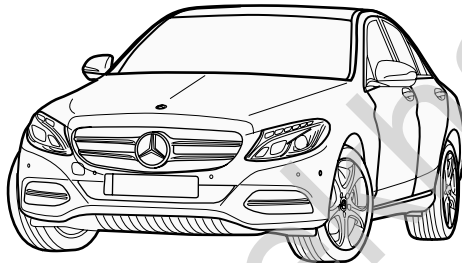
09/'14 -

STANDARD ✓

AMG-LINE ✗

PLUG-IN HYBRIDE ✓

HYBRIDE ✓



**Mercedes E W213 + Facelift + E Break S213 + Facelift**

04/'16 - 05/'20

06/'20-

10/'16 - 06/'20

07/'20-

STANDARD ✓

AMG-LINE ✓

ALL-TERRAIN ✓

PLUG-IN HYBRIDE ✓

STANDARD ✓

AD BLUE ✓

AMG-LINE ✓

PLUG-IN HYBRIDE ✓

HANDSFREE TAILGATE ✗

STANDARD ✓

AMG-LINE ✓

ALL-TERRAIN ✓

PLUG-IN HYBRIDE ✓

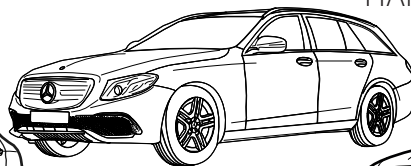
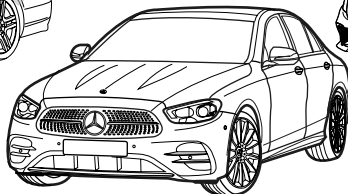
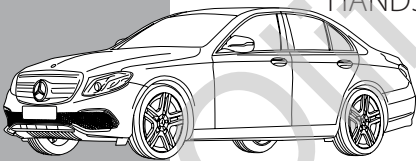
STANDARD ✓

AD BLUE ✓

AMG-LINE ✓

PLUG-IN HYBRIDE ✓

HANDSFREE TAILGATE ✗



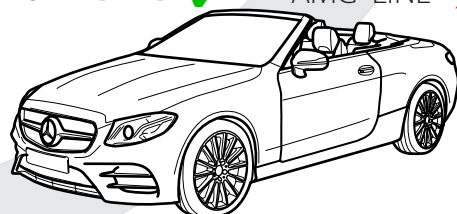
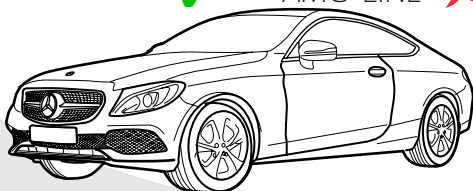
**Mercedes E Coupé C238 + E Cabrio (A238)**

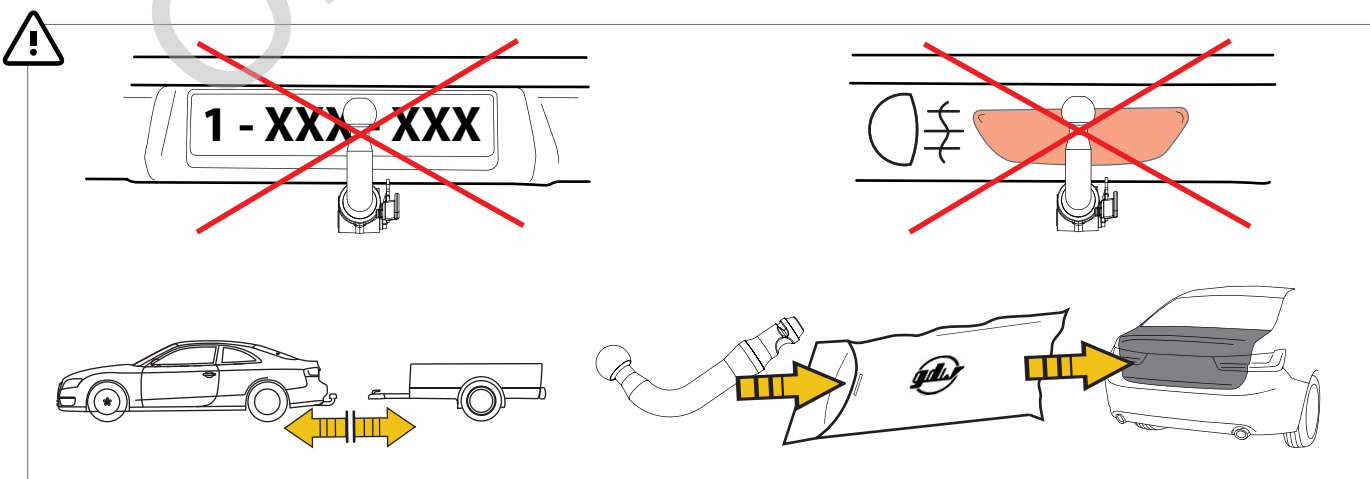
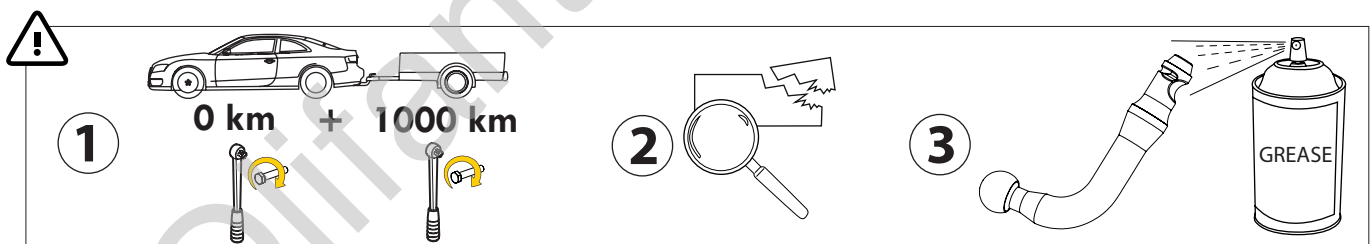
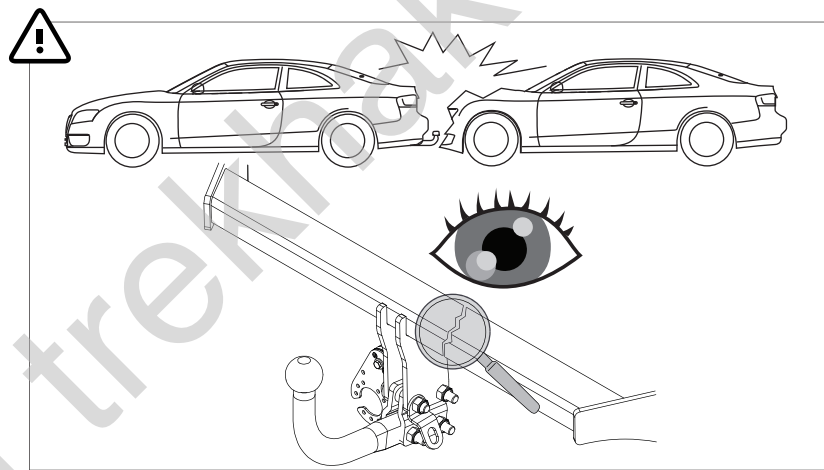
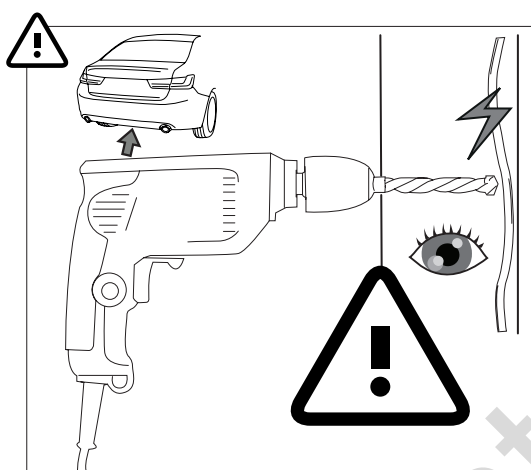
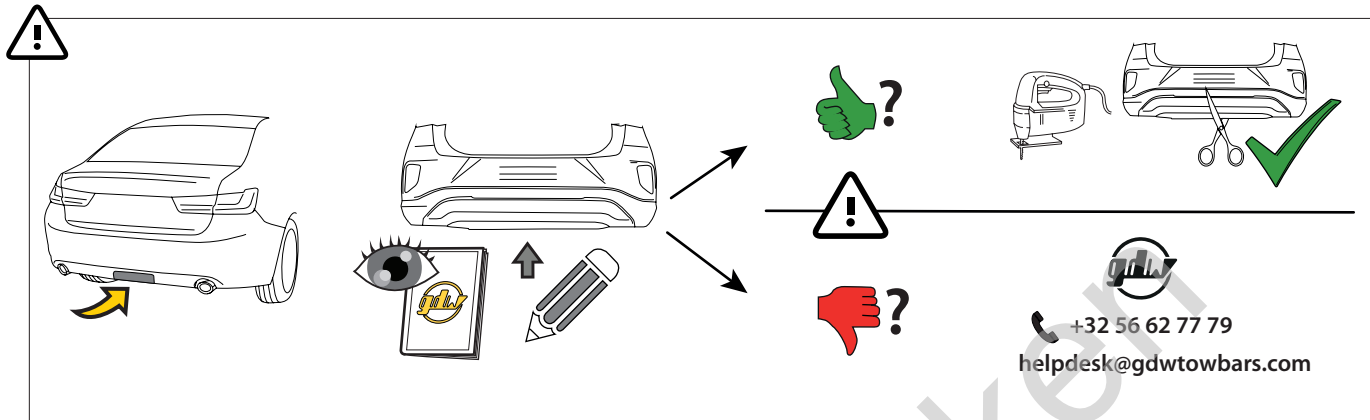
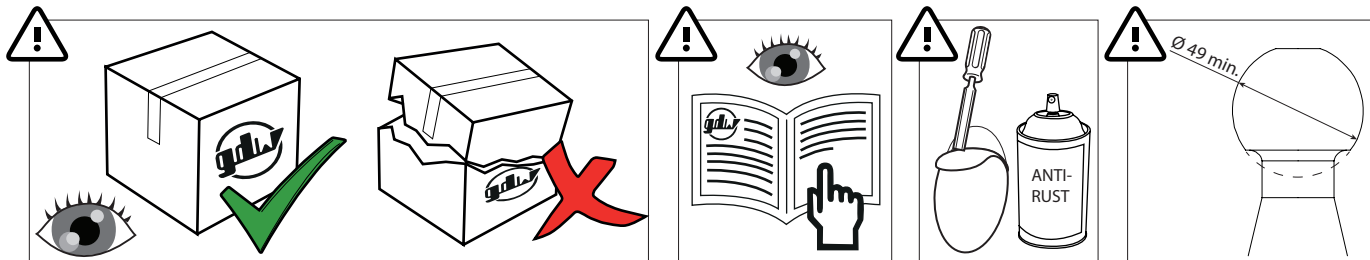
12/'16 -


STANDARD ✓ AMG-LINE ✗

06/'17-

STANDARD ✓ AMG-LINE ✗




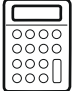


MADE BY  **D 11,90** **F** **E6**

BELGIUM **S 115** EC-N° 55R-01 1589

REF N° 2187T60 SERIAL N° XXXX








**DESCRIPTION**  
Mercedes C W205 + S205 + C205 + A205  
Mercedes E W213 + S213 + C238 + A238





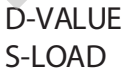
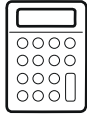

 



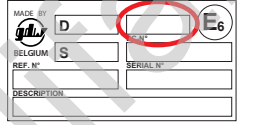
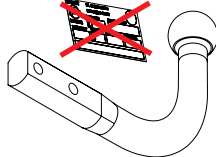
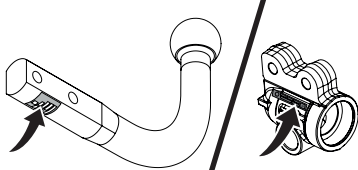
$$D = \frac{\text{max kg} \times \text{max kg}}{\text{max kg} + \text{max kg}} \times 0.00981 \leq 11,90 \text{ kN}$$

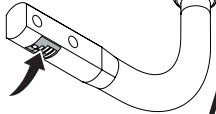
$$S = \begin{matrix} \leq 115 \text{ kg} & \leq 2100 \text{ kg} \end{matrix}$$

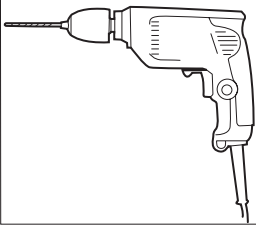

















See the Certificate Of Conformity (COC) of your vehicle or contact your dealer to verify the max. trailer weight of your car!

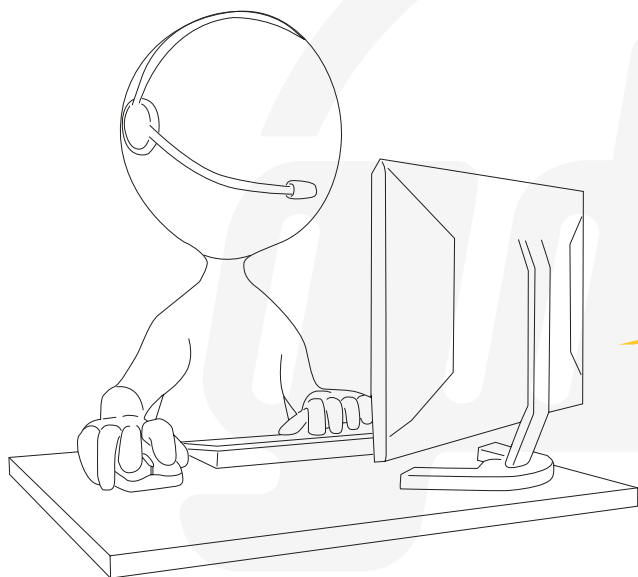
   **A50-X?**  

**F?** 

10 8 10 13 16 17 19 TX20

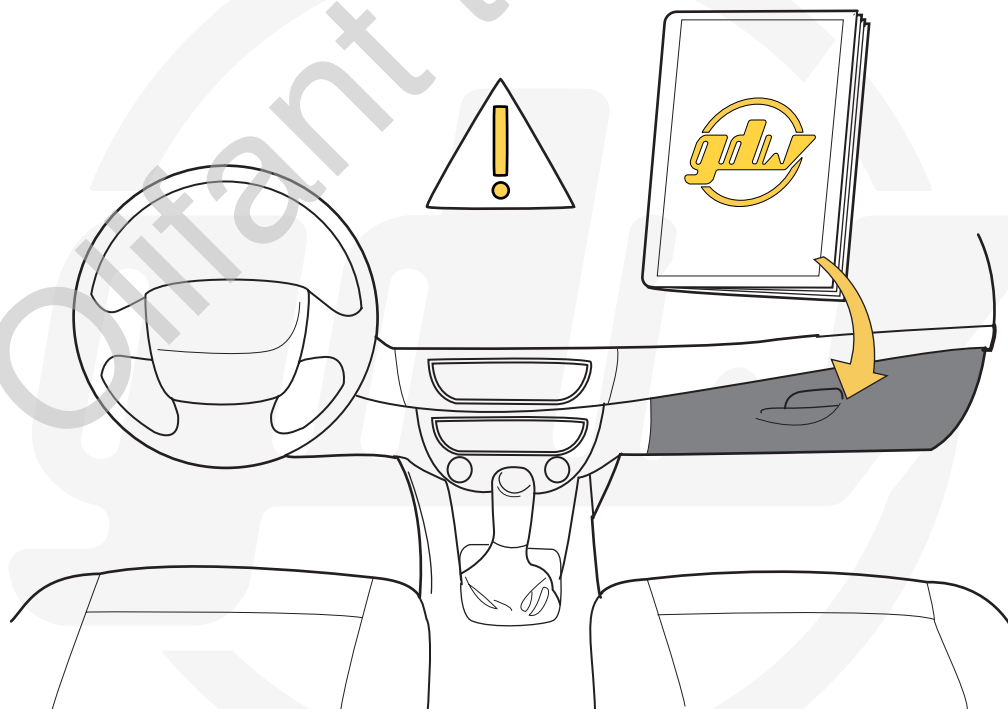
Ø6

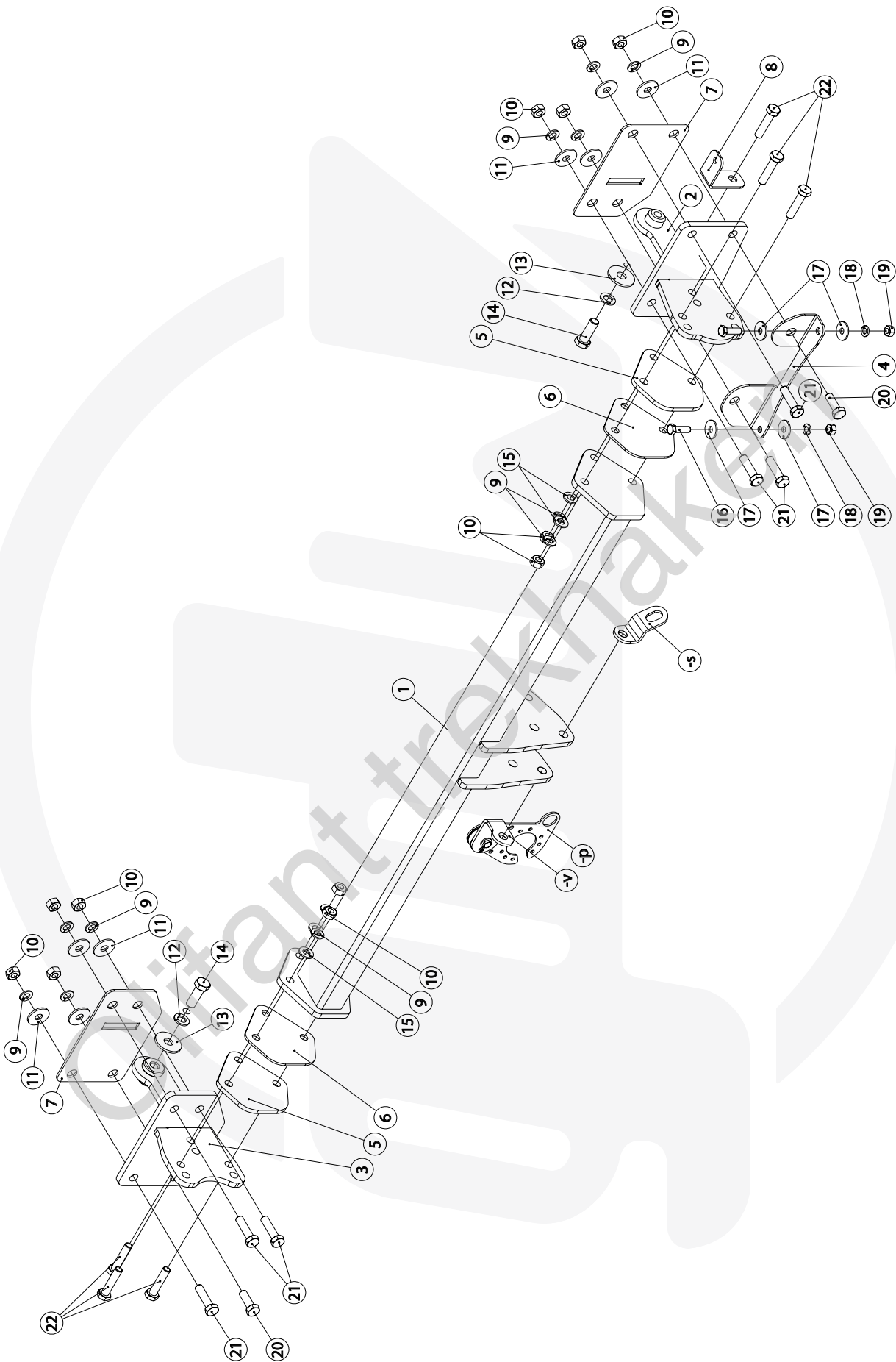


**helpdesk@gdwtowbars.com**

**+32 56 62 77 79**

Monday	08:00 - 12:00	12:30 - 16:30
Tuesday	08:00 - 12:00	12:30 - 16:30
Wednesday	08:00 - 12:00	12:30 - 16:30
Thursday	08:00 - 12:00	12:30 - 16:30
Friday	08:00 - 12:00	12:30 - 15:30





1		X1	GDW REF. 2187160
2		X1	GDW REF. 2
3		X1	GDW REF. 3
4		X1	GDW REF. 4
5		X2	GDW REF. 5 (6 MM)
6		X2	GDW REF. 6 (3 MM)
7		X2	GDW REF. 7
8		X1	GDW REF. 2187160-100 (ONLY FOR PLUG-IN HYBRID)
9		X14	DIN128A-M10
10		X14	DIN934-M10
11		X8	DIN9021-M10-ELVZ
12		X2	DIN128A-M12
13		X2	DIN9021-M12-ELVZ
14		X2	DIN961-M12X35X1.5
15		X6	DIN125-A10-14OHV-ELVZ

16		X2	DIN933-M8X25
17		X4	DIN9021-M8-ELVZ
18		X2	DIN128A-M8
19		X2	DIN934-M8
20		X2	DIN933-M10X30
21		X6	DIN933-M10X40
22		X6	DIN933-M10X45
-5		X1	GDW REF. 900.053

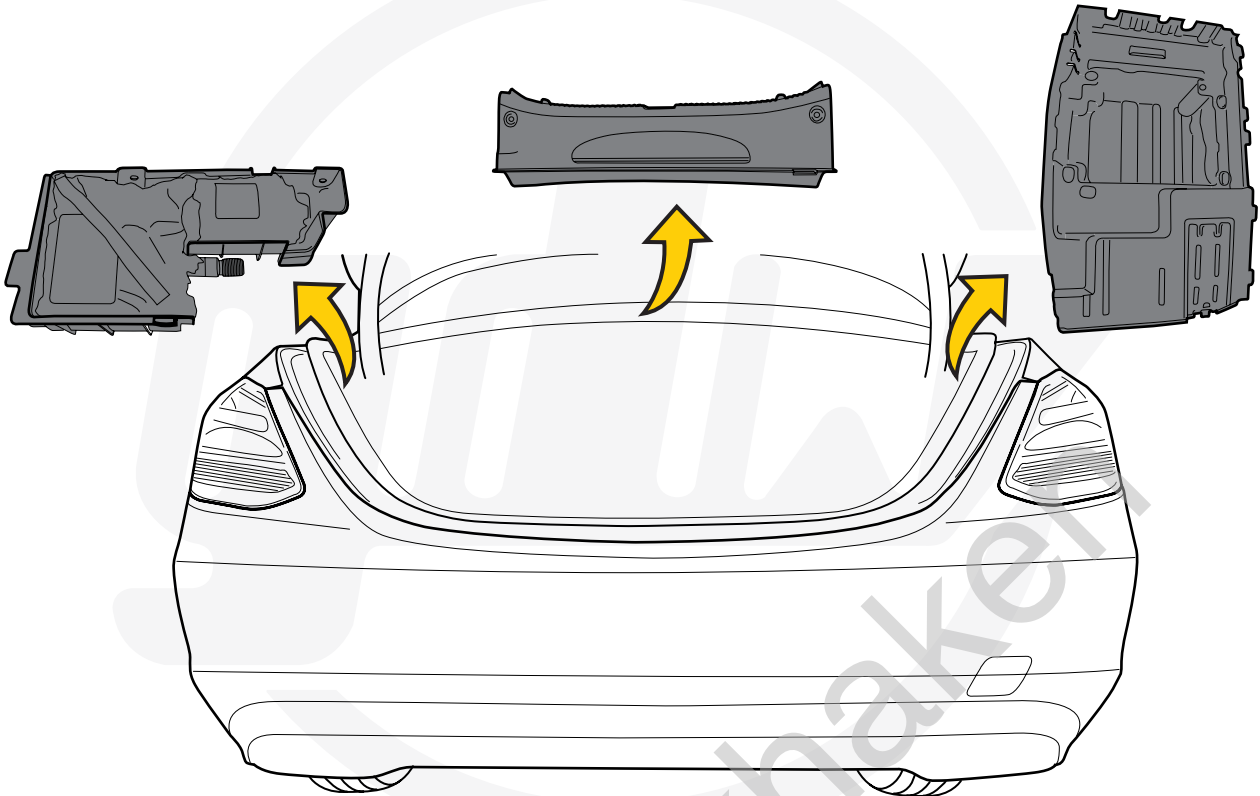
p		X1	GDW REF. P40
↳		X1	DIN985-M6
↳		X2	6,2 X 15,4 X 1,6 (NYLON)
↳		X1	GDW REF. 718.16.002
↳		X1	GDW REF. 718.16.003
↳		X1	GDW REF. 908.094
↳		X1	DIN933-M6 X 30
↳		X1	GDW REF. 5

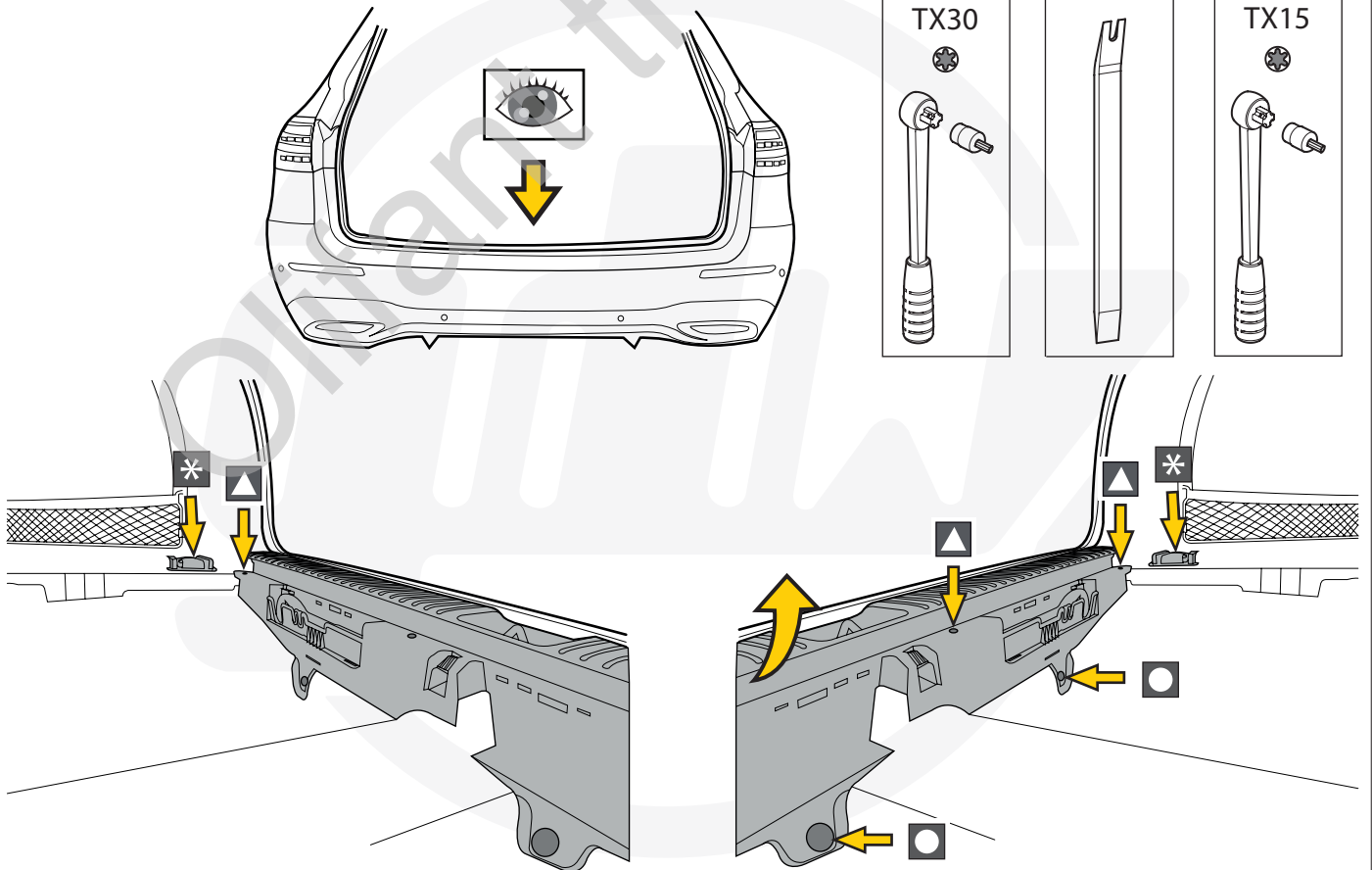
Geleverd met - Livré avec - Delivered with Gefiefert mit - Elementos adjuntos - Leverages med		X1		GDW REF. 960.V0808
↳		X1		GDW REF. 740.200
		X1		GDW REF. 912.003
↳		X1		GDW REF. 740.112
↳		X1		GDW REF. 740.111
		X1		GDW REF. 740.12X X= LAST NUMBER ON KEY
		X1		GDW REF. 718.15.001
		X1		GDW REF. SYST60-10
↳		X3		DIN931-M12X110-8.8
↳		X3		DIN128A-M12
↳		X6		DIN125A-M12
↳		X3		DIN934-M12



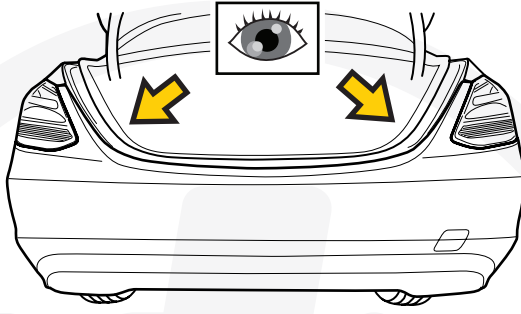
1



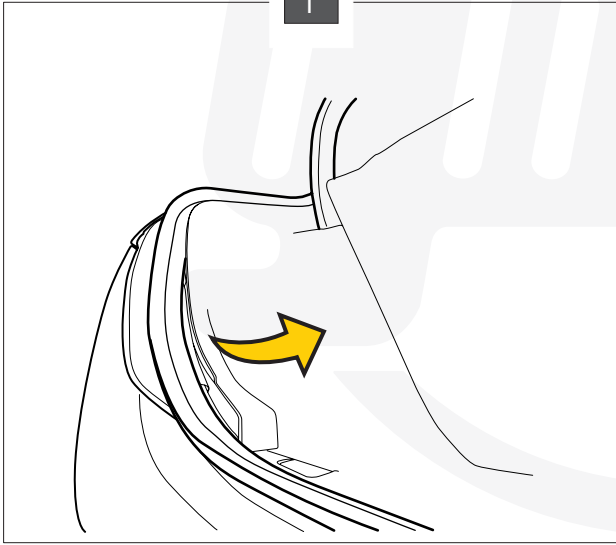
2 Only for S213 07/'20-



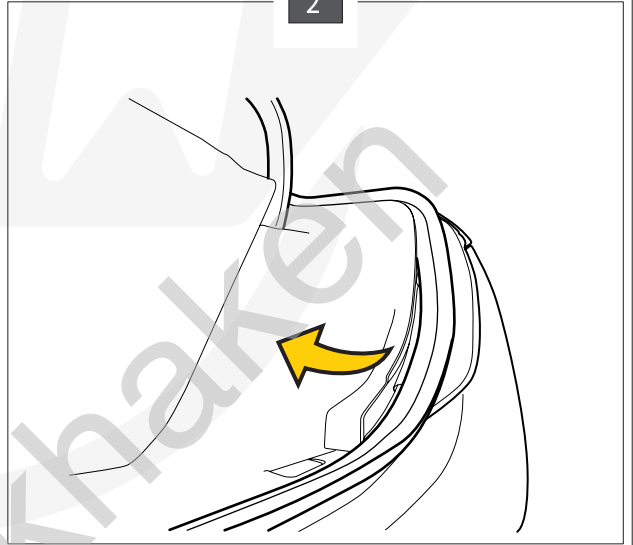
3



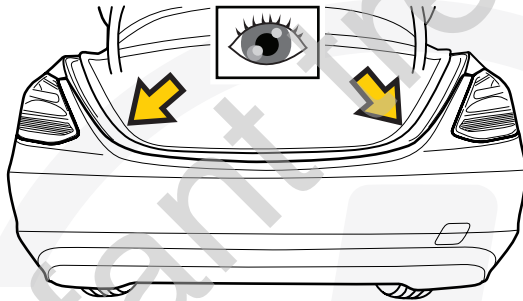
1



2

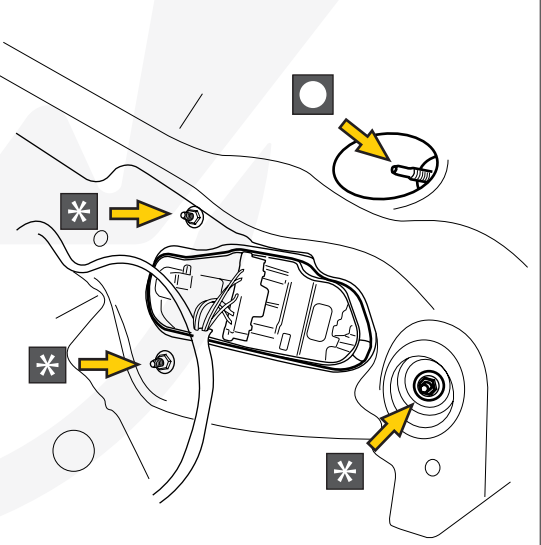
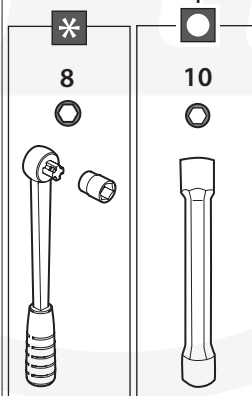
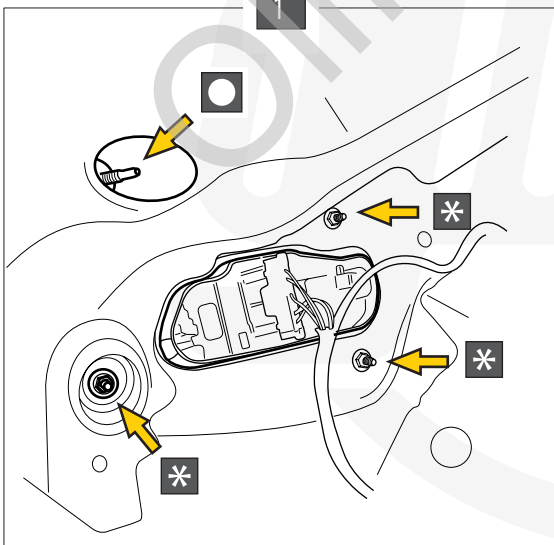


4

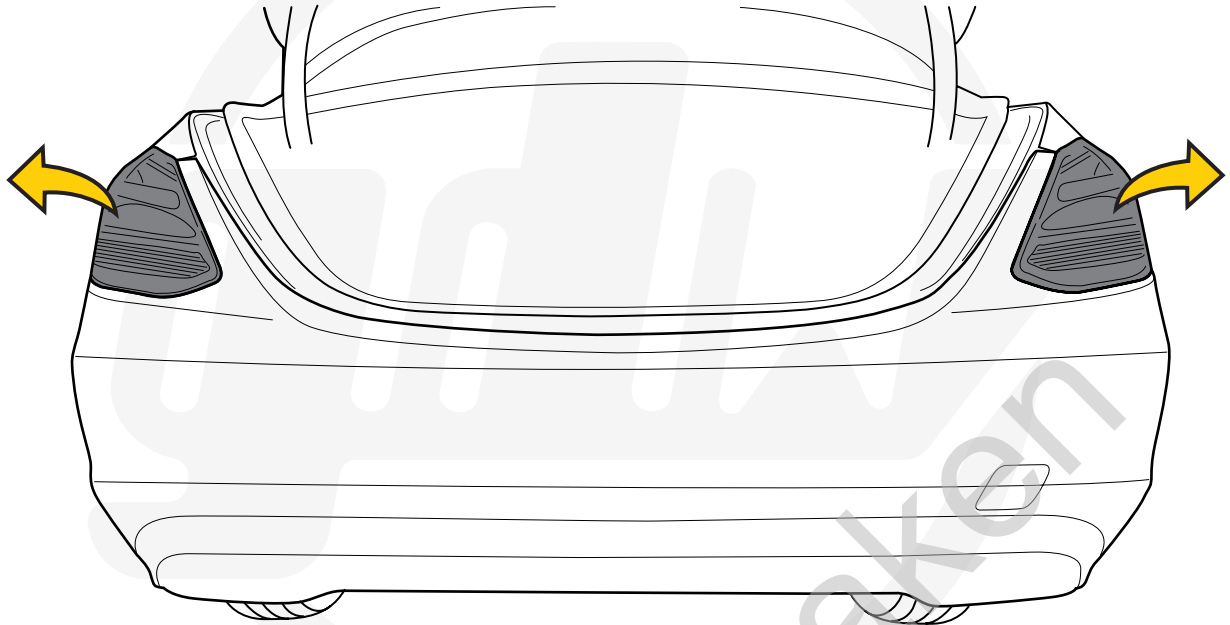


 Only for W205/S205

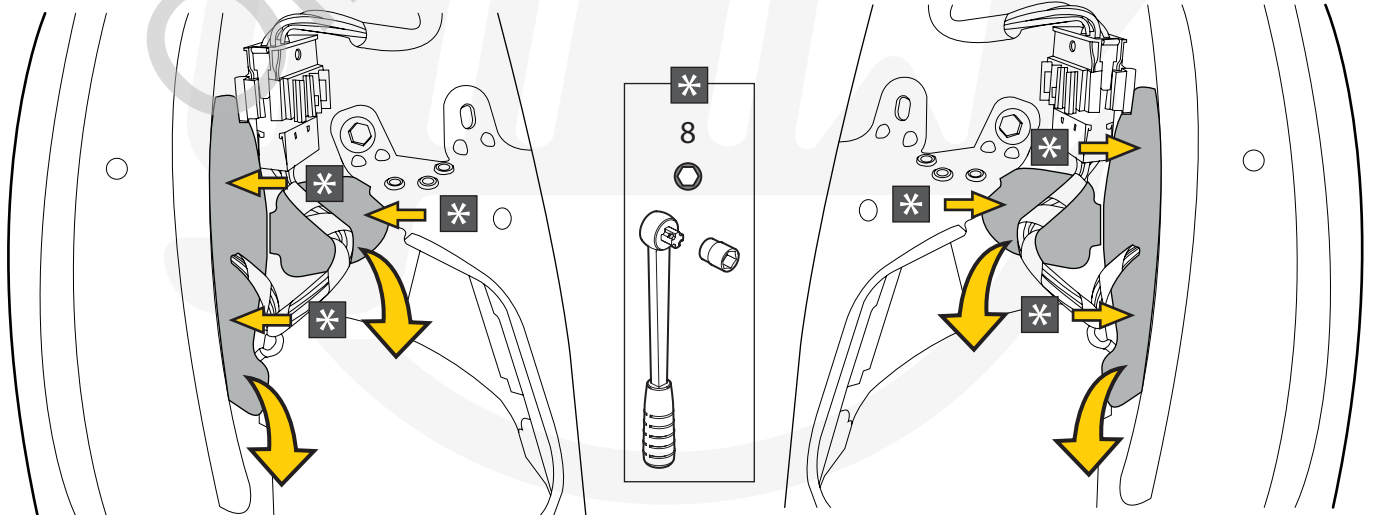
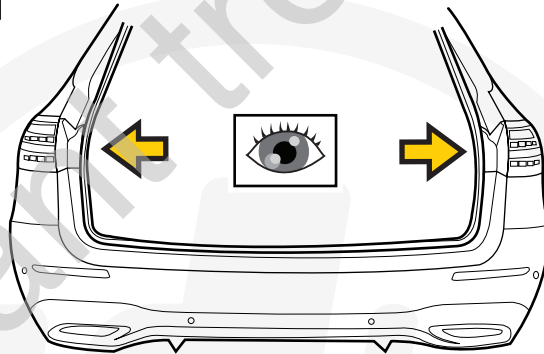
1

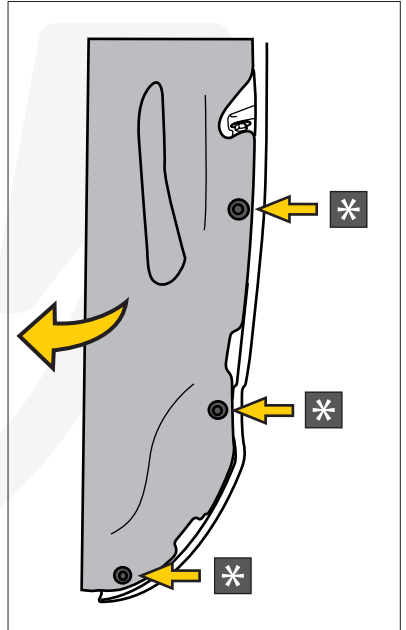
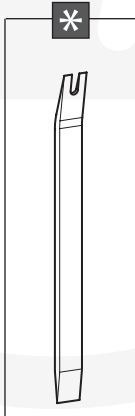
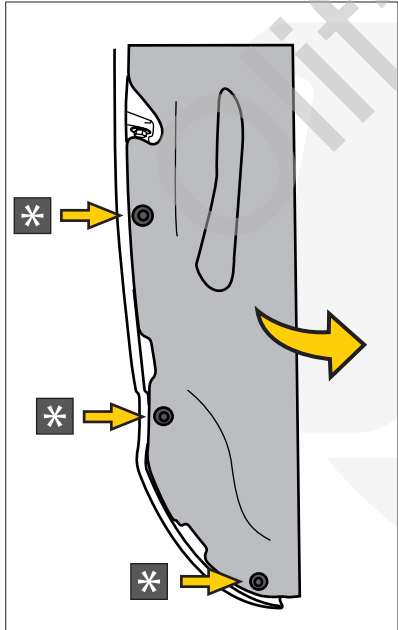
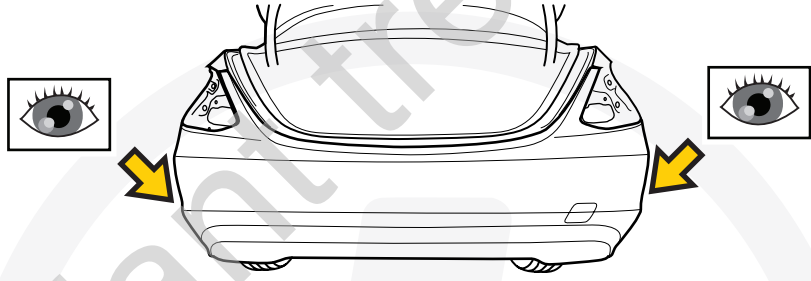
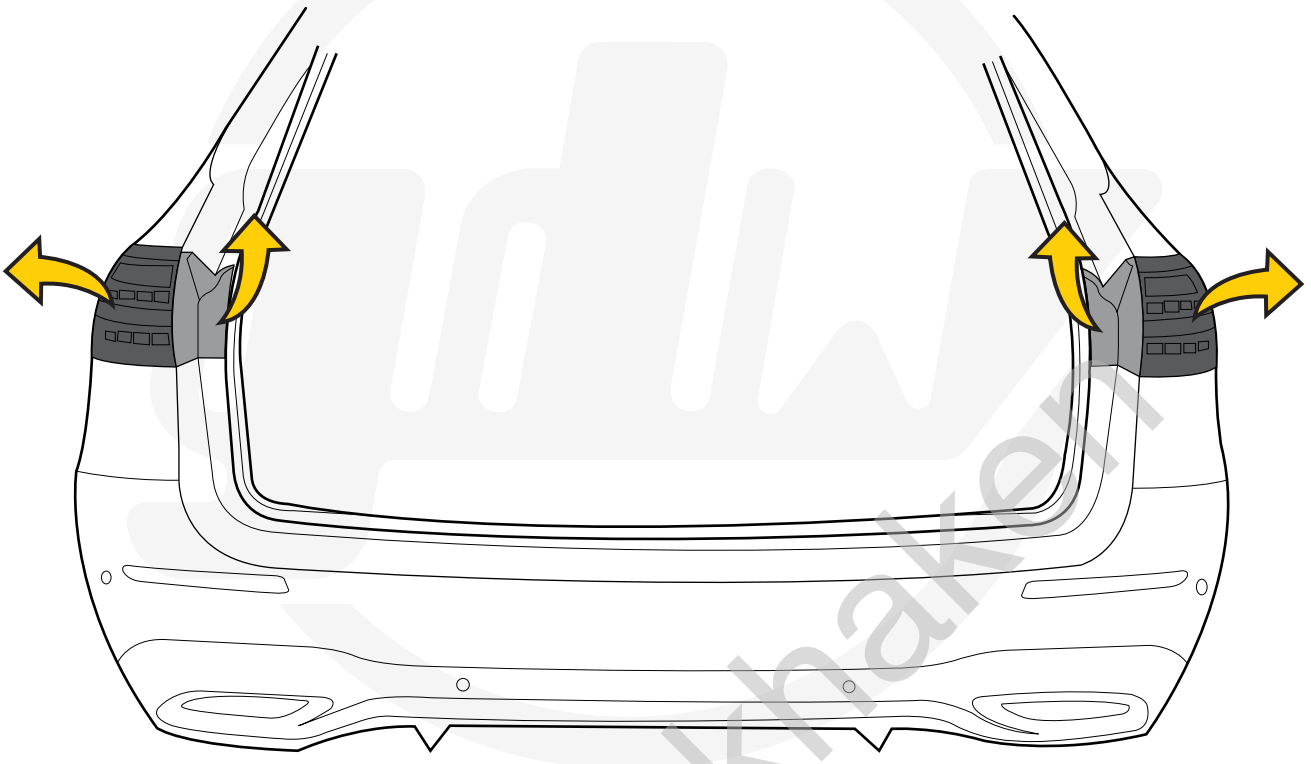


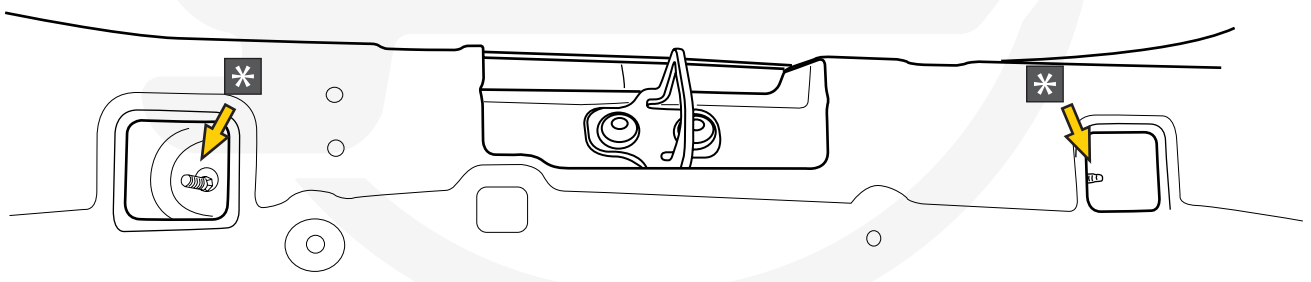
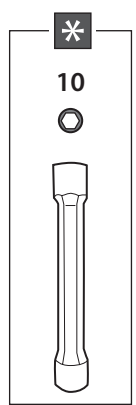
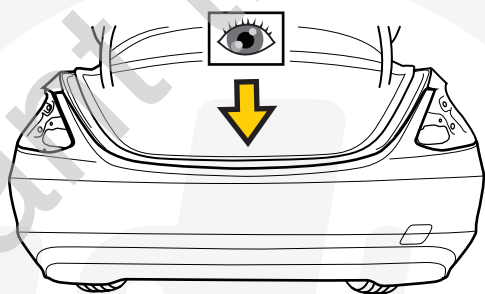
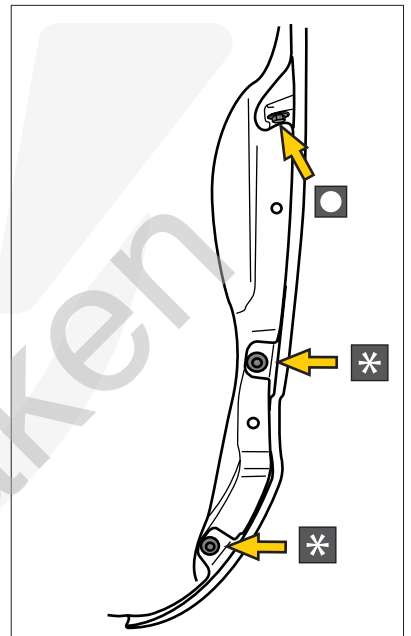
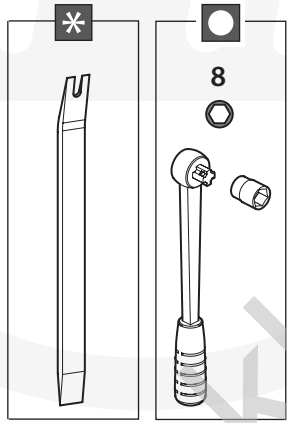
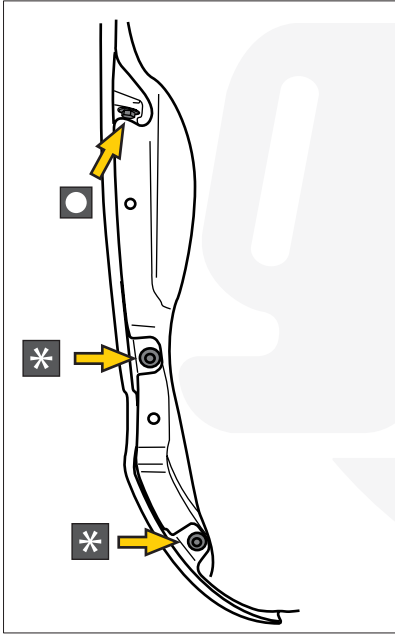
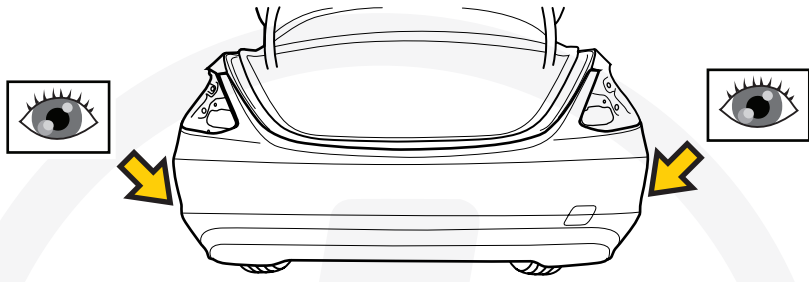




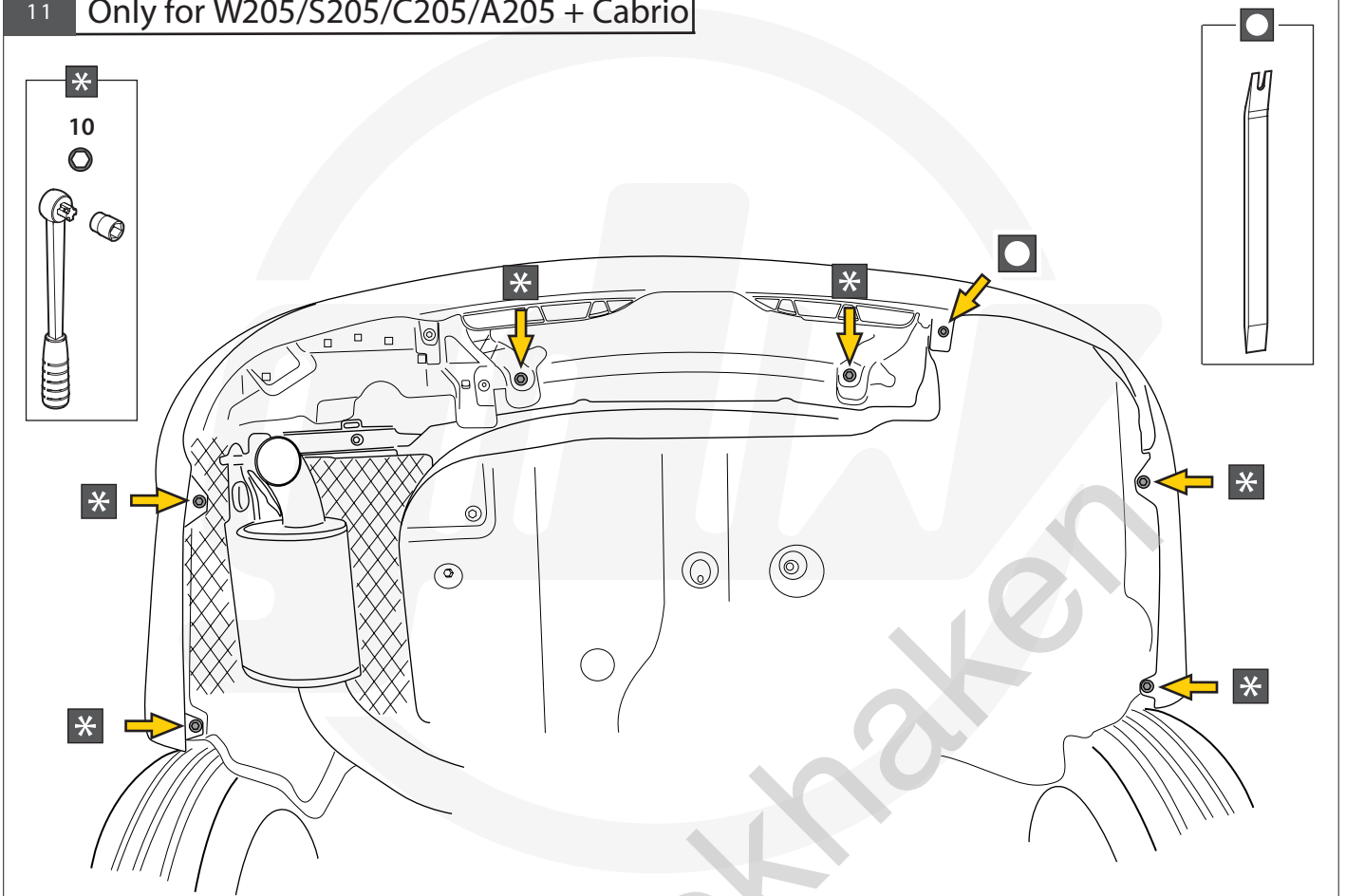
6 Only for S213 07/'20-



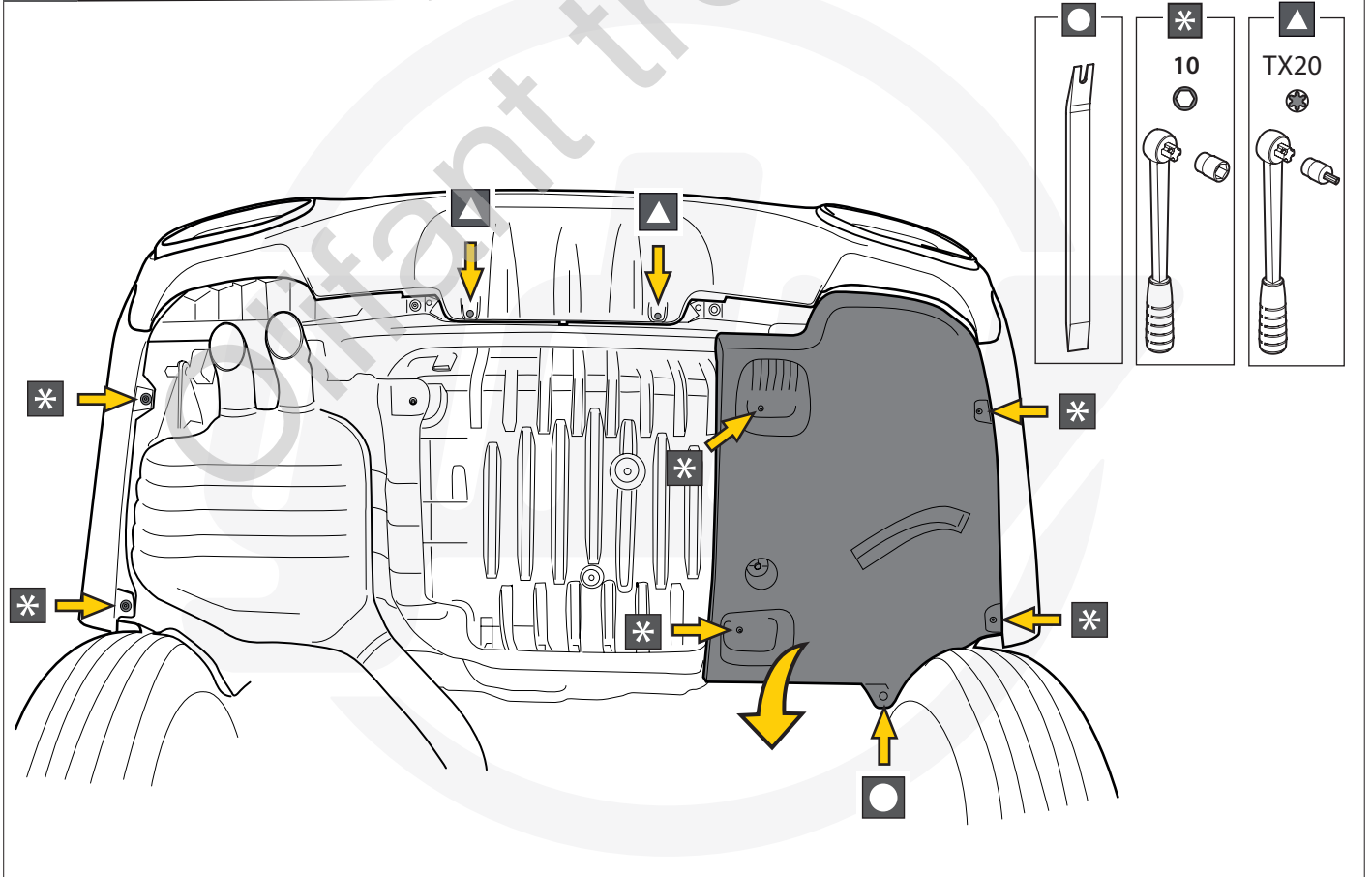




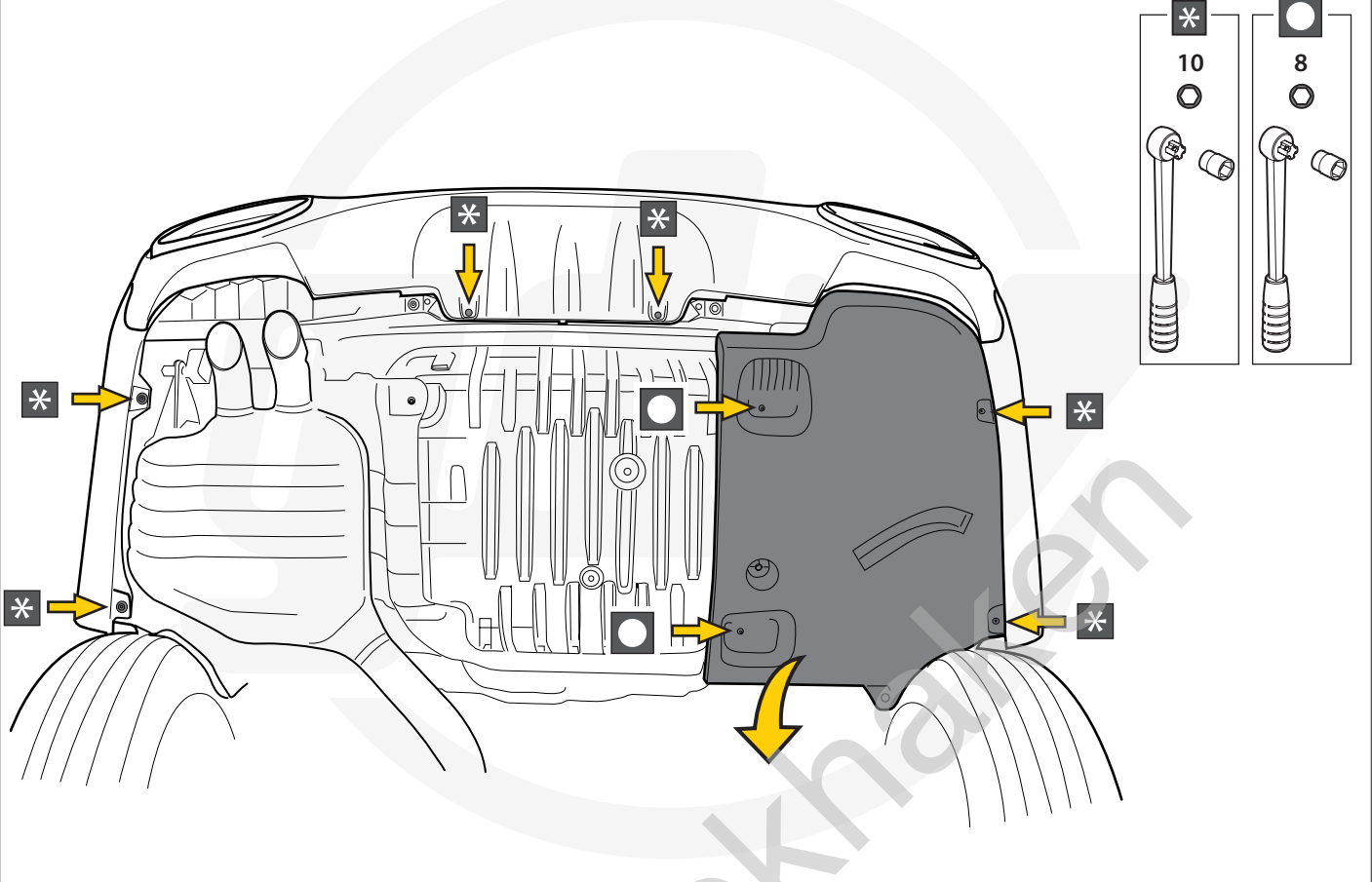
11 Only for W205/S205/C205/A205 + Cabrio



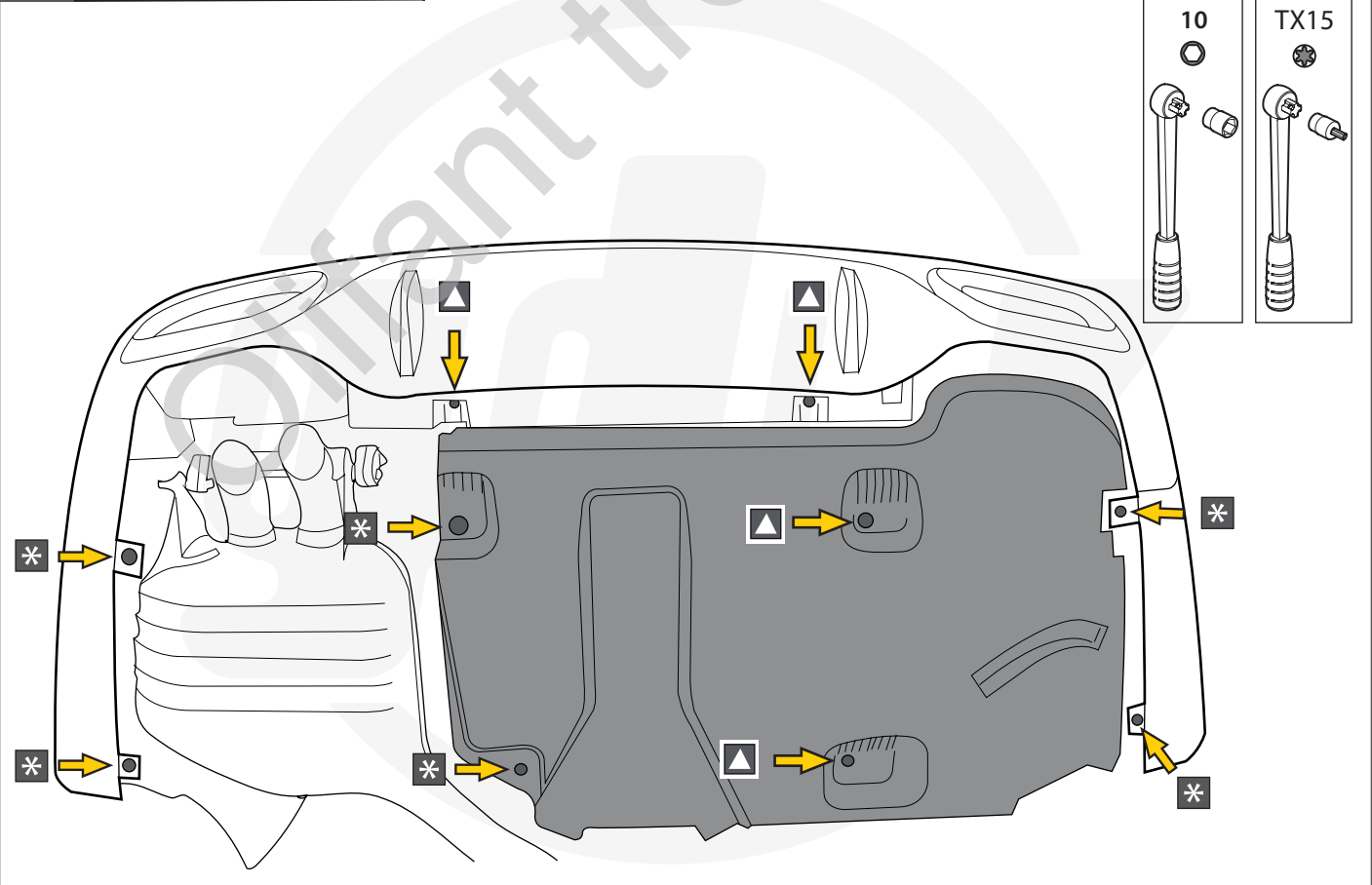
12 Only for W213 & S213



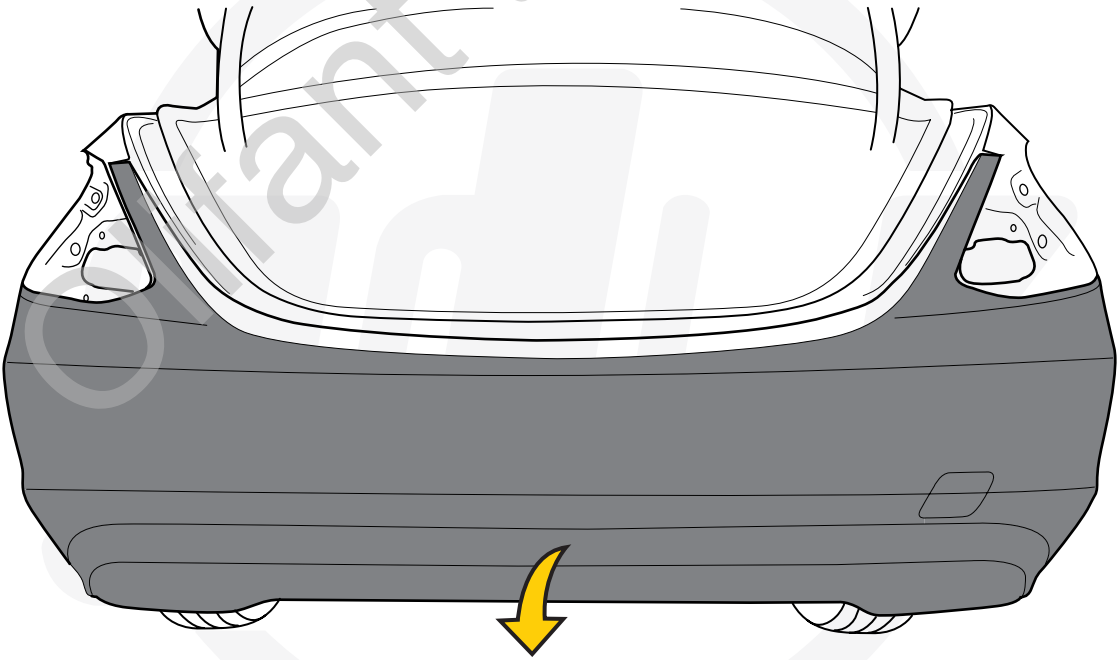
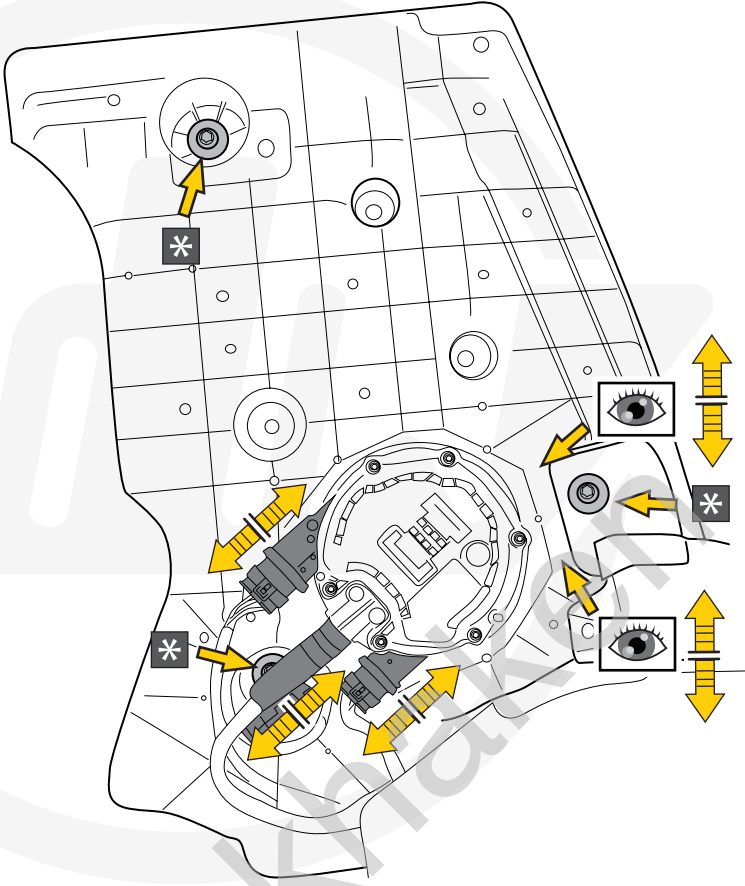
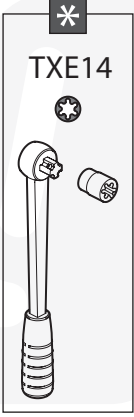
13 Only for W213 06/'20-



14 Only for S213 07/'20-

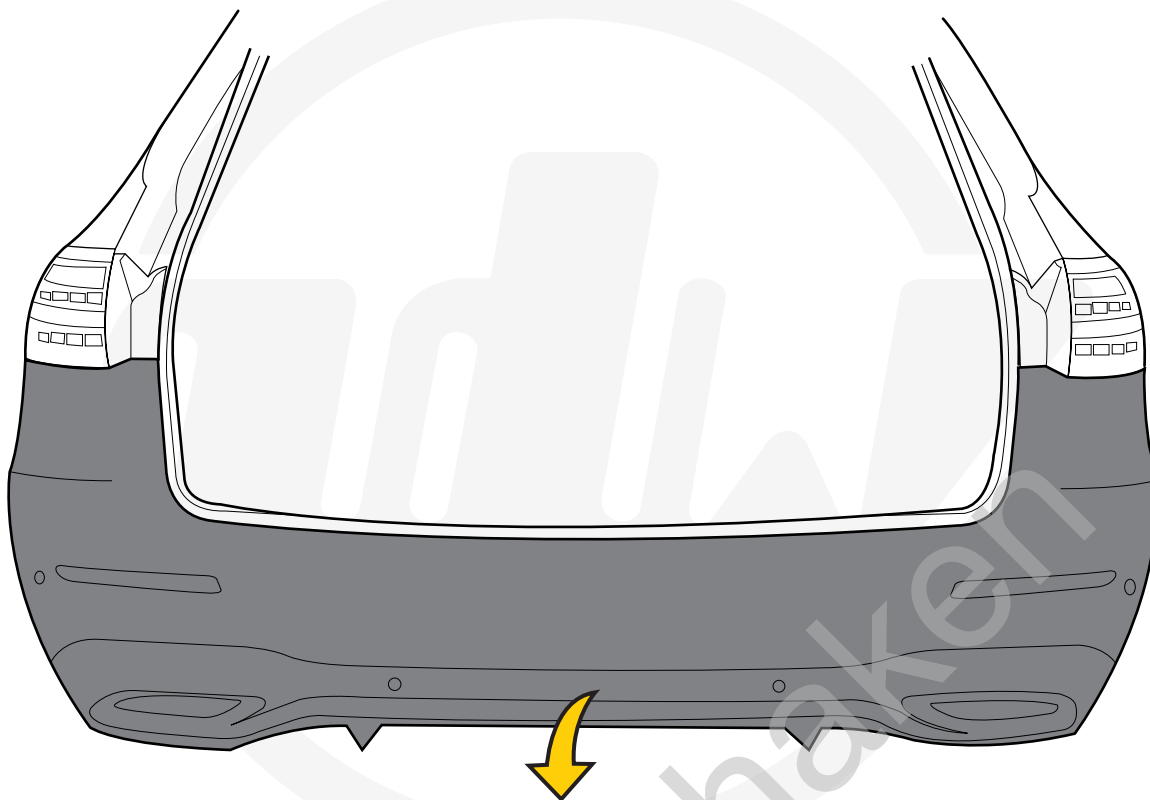


AD BLUE

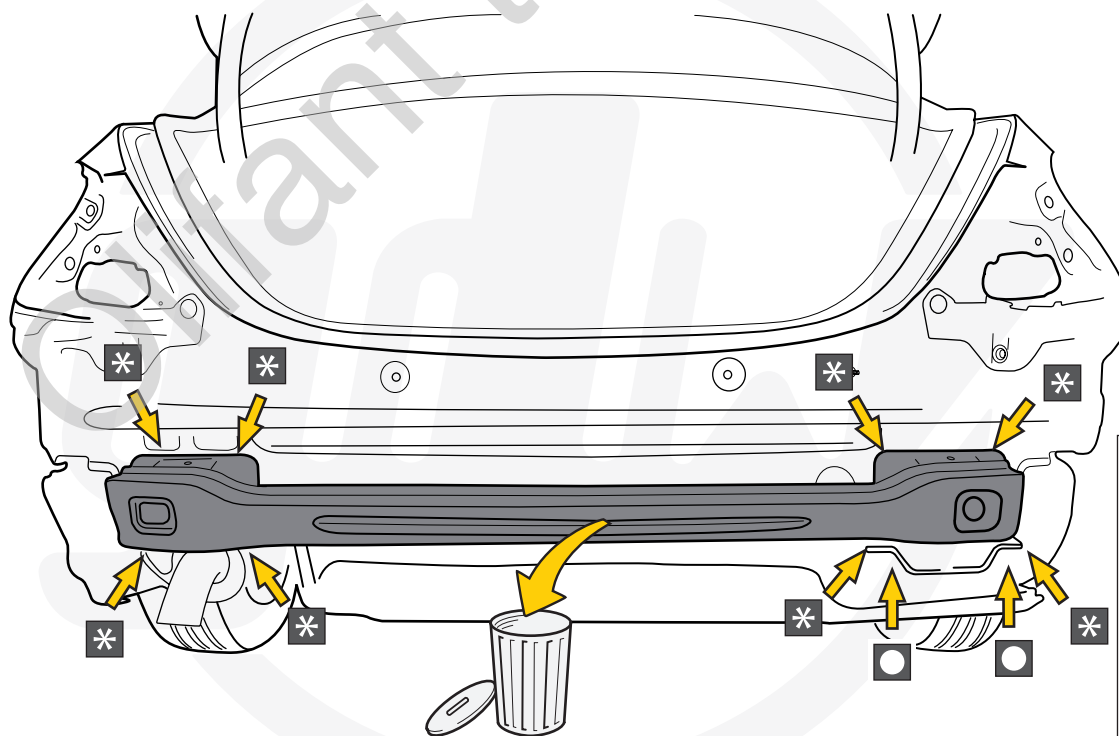




17 Only for S213 07/'20-



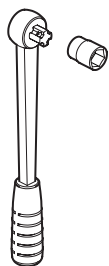
18 Only for W205/S205/C205/C238/A238



\*

16

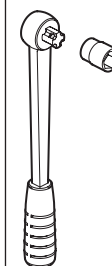
○



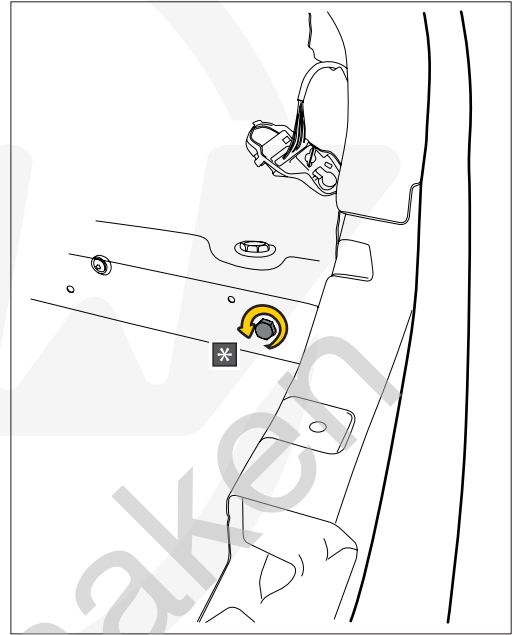
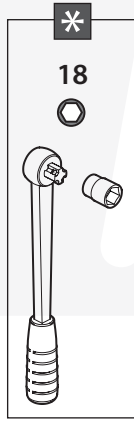
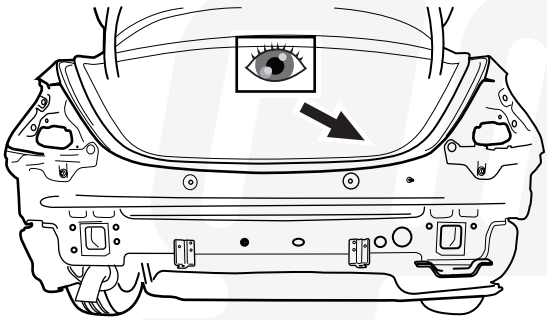
○

13

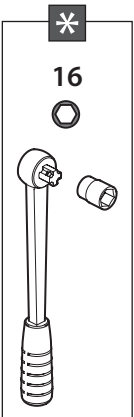
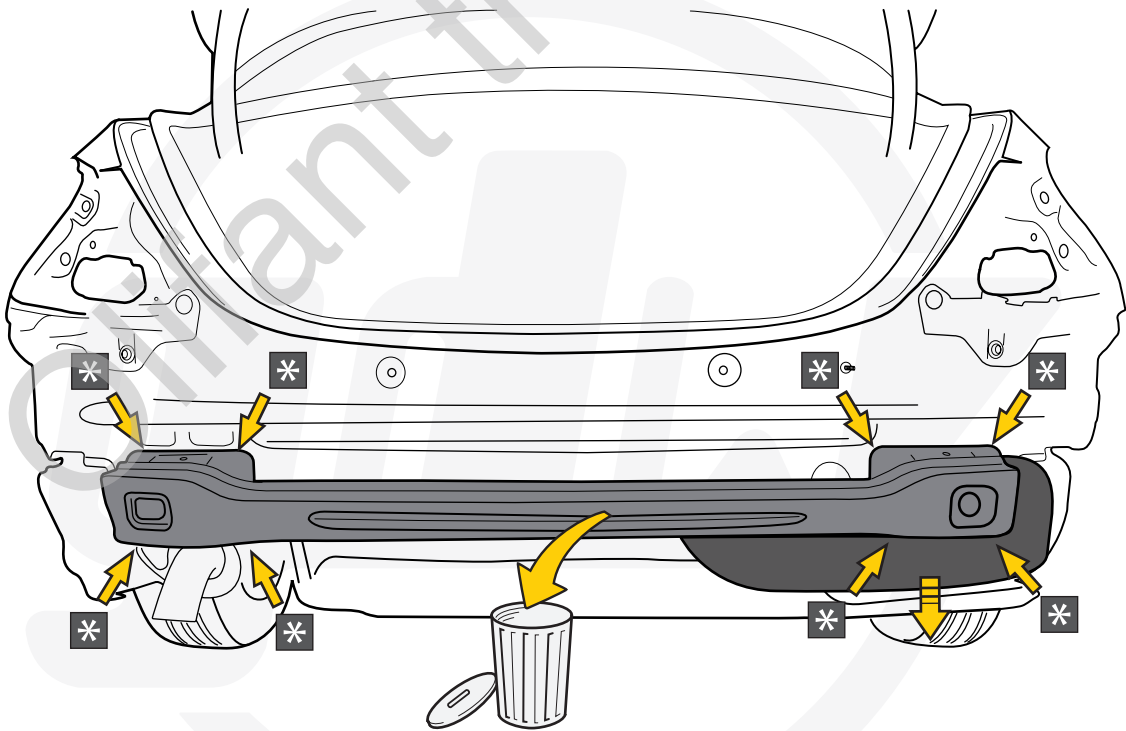
○



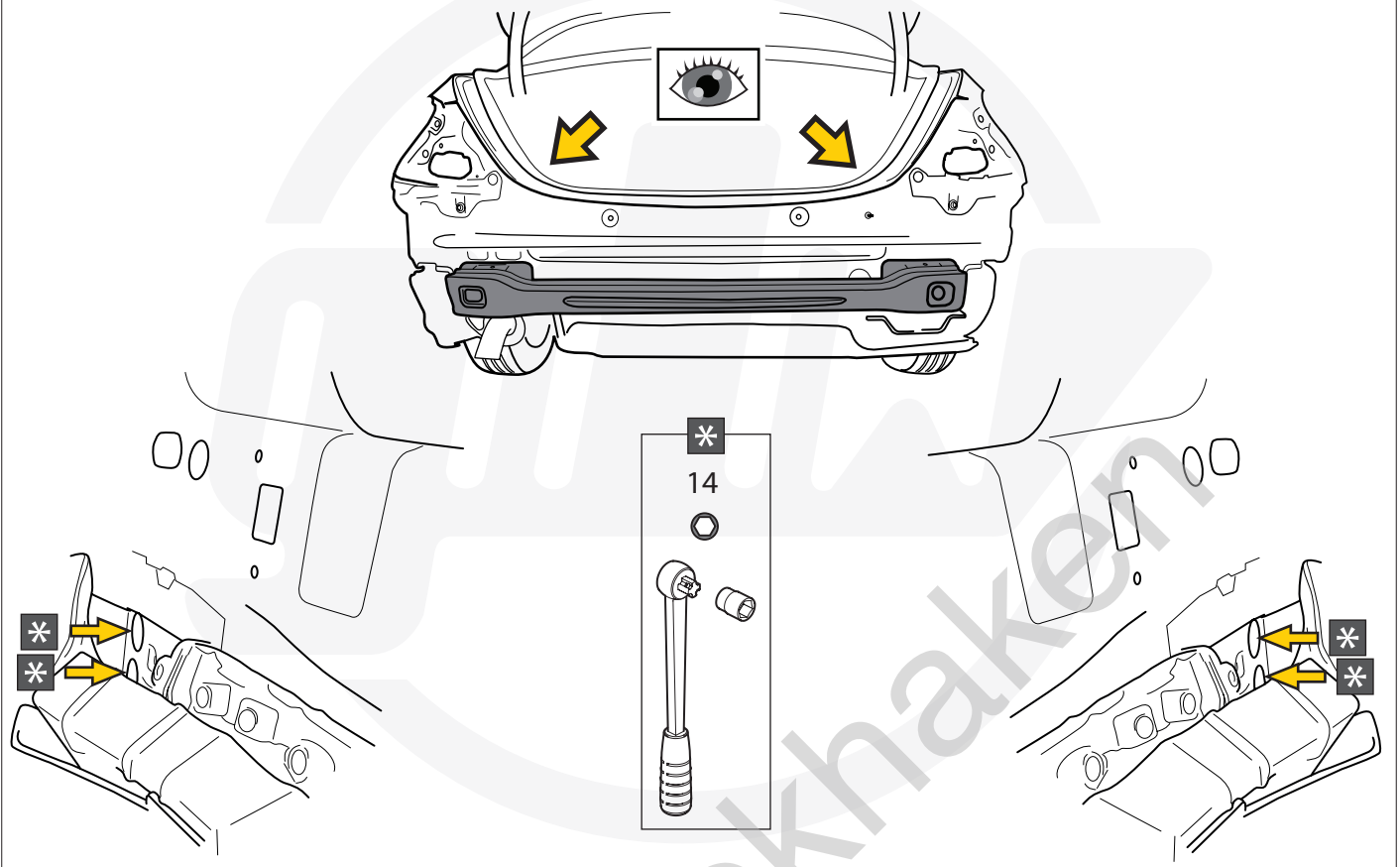
19 Only for C238/A238



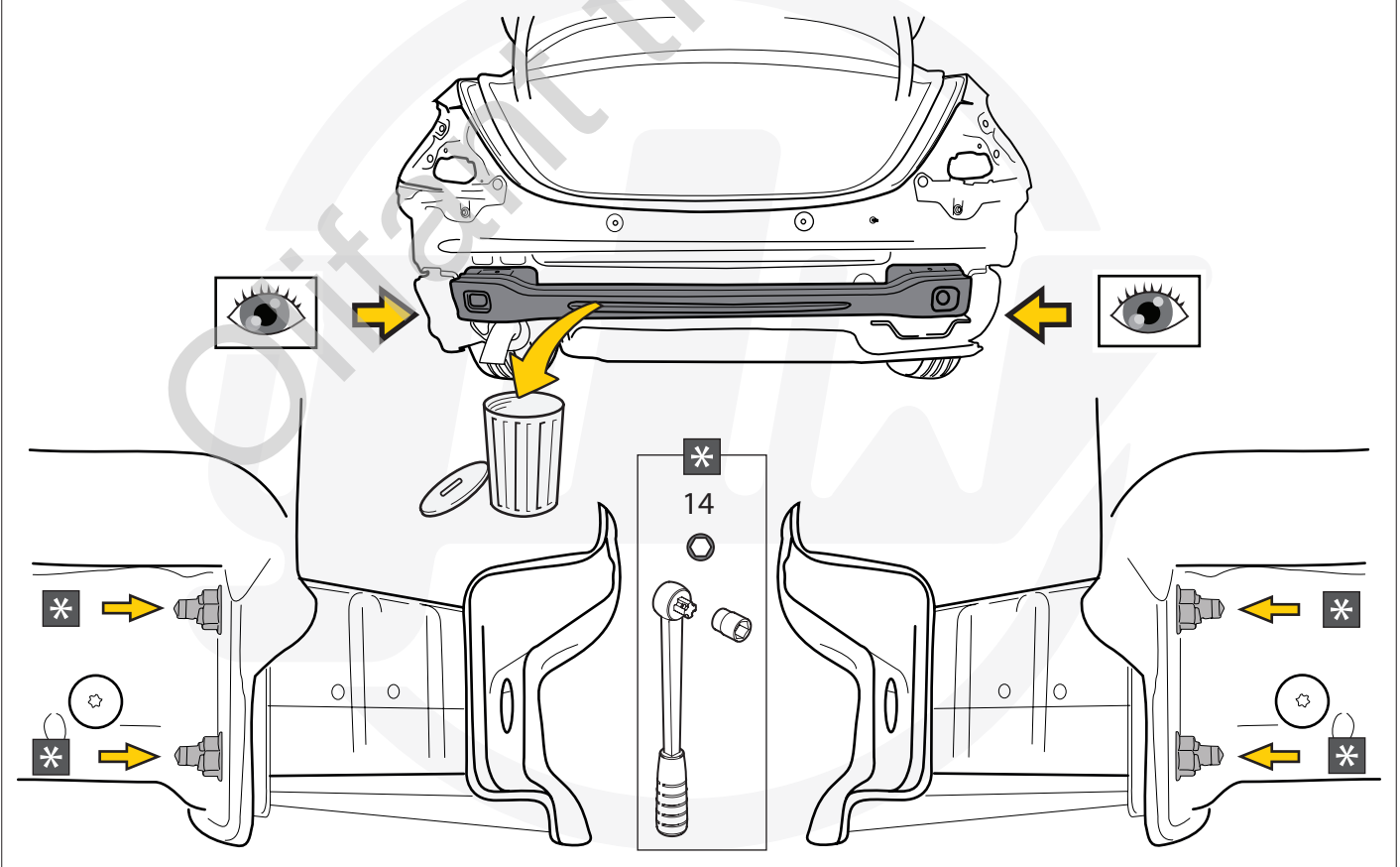
20 Only for W213 + S213 + A205 Cabrio



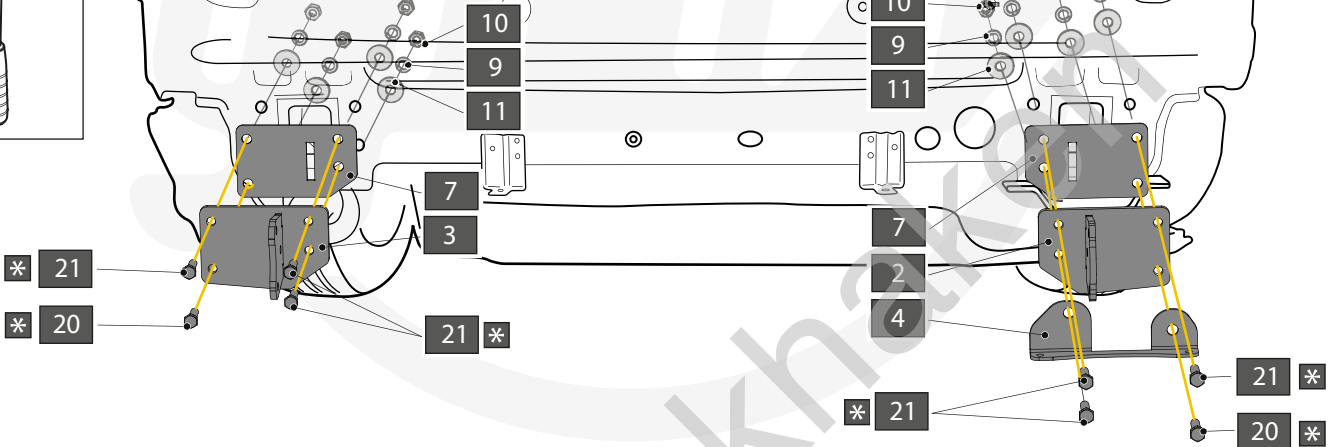
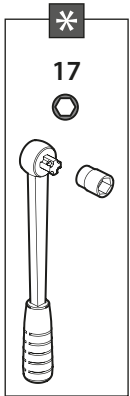
21 Only for W213 06/'20- + S213 07/'20-



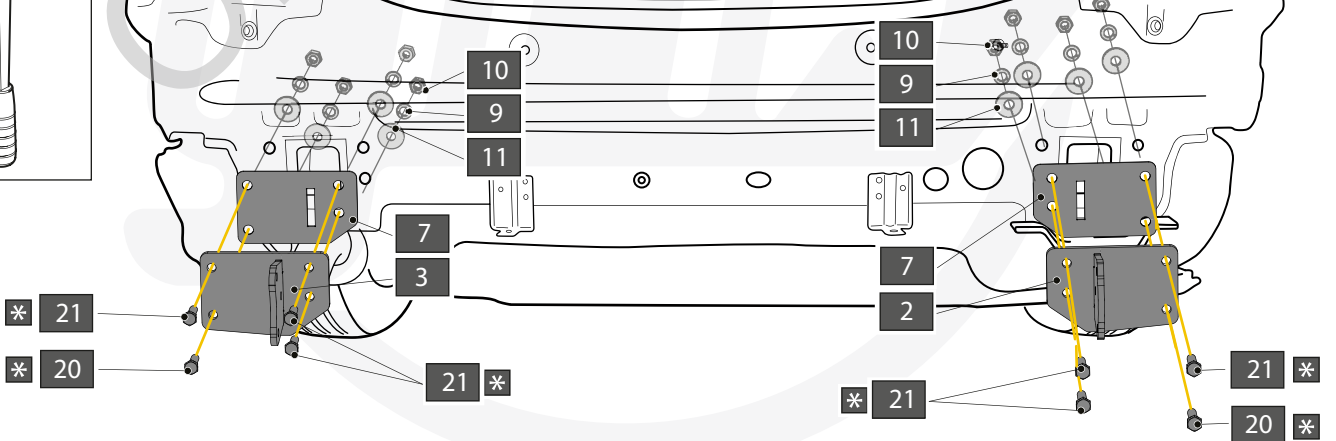
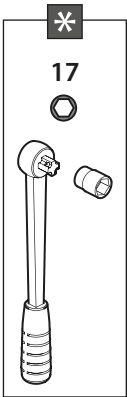
22 Only for W213 06/'20- + S213 07/'20-

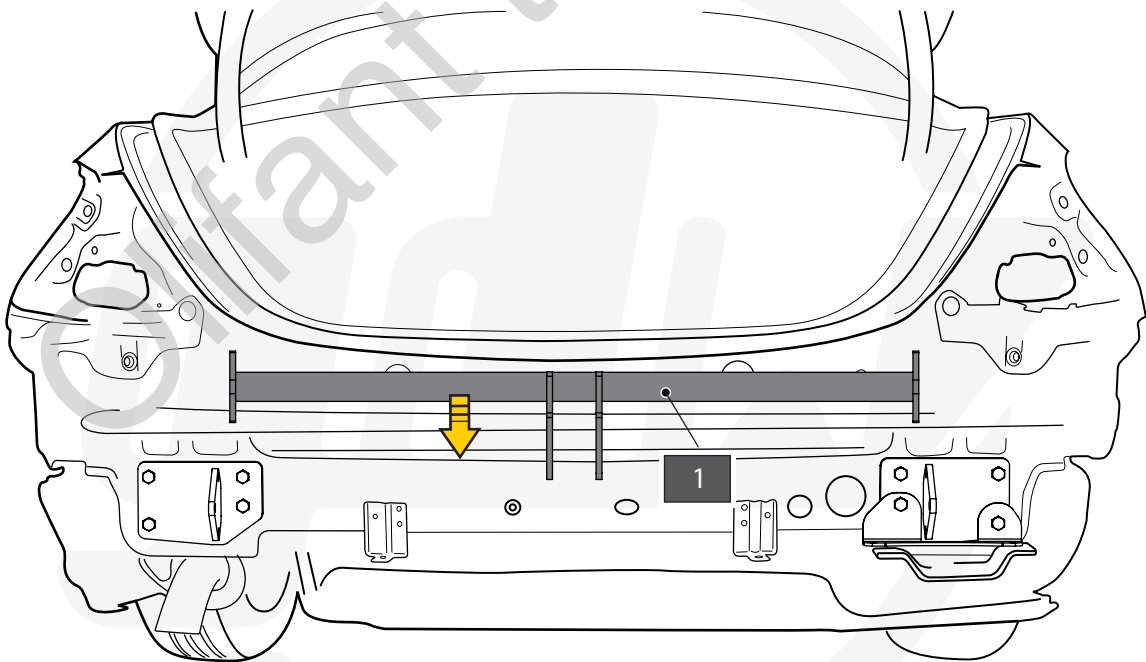
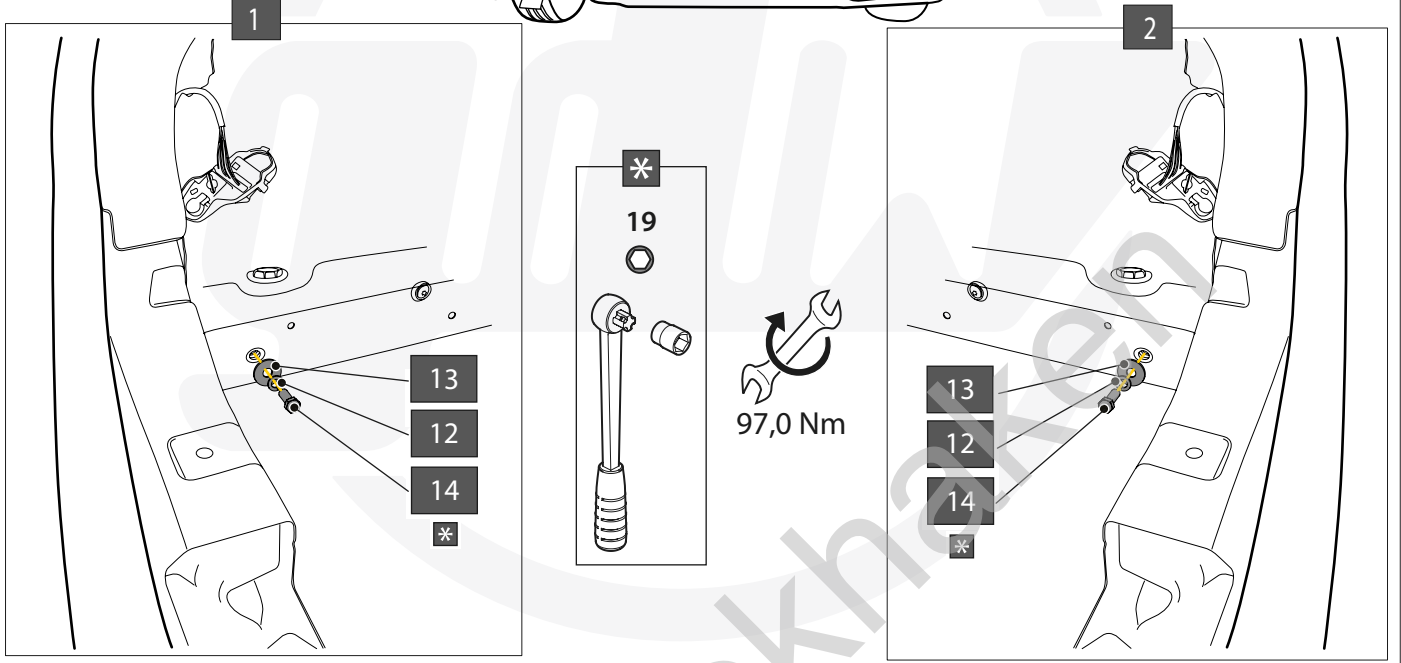
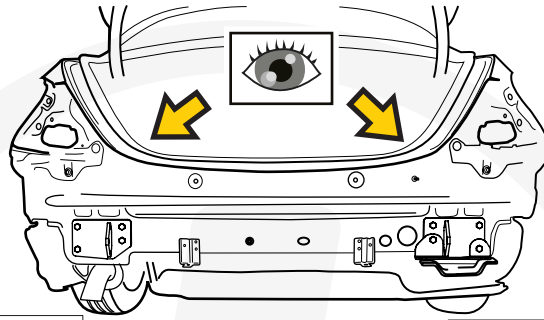


23 Only for W205/S205/C205/C238/A238

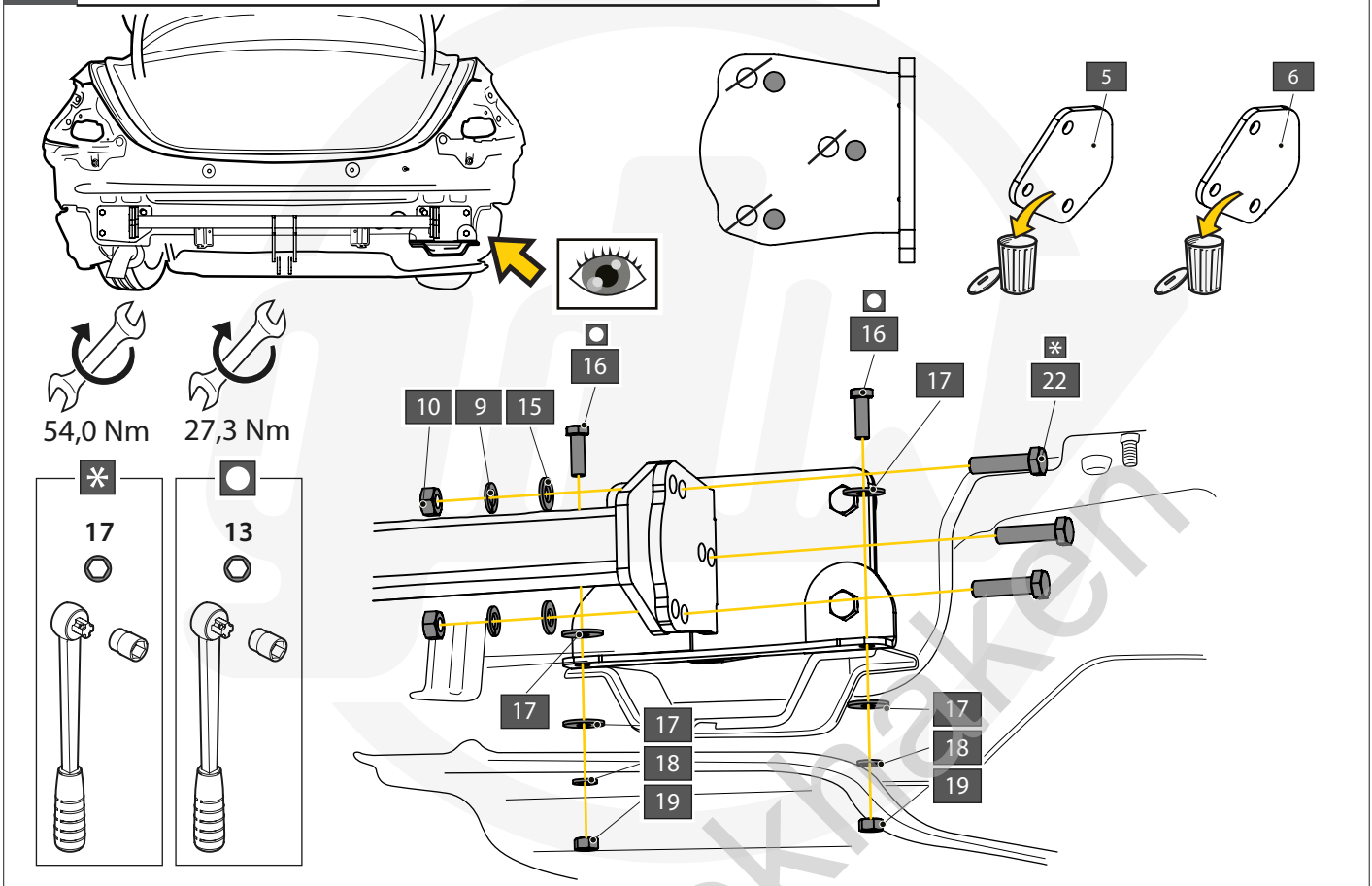


24 Only for W213 & S213

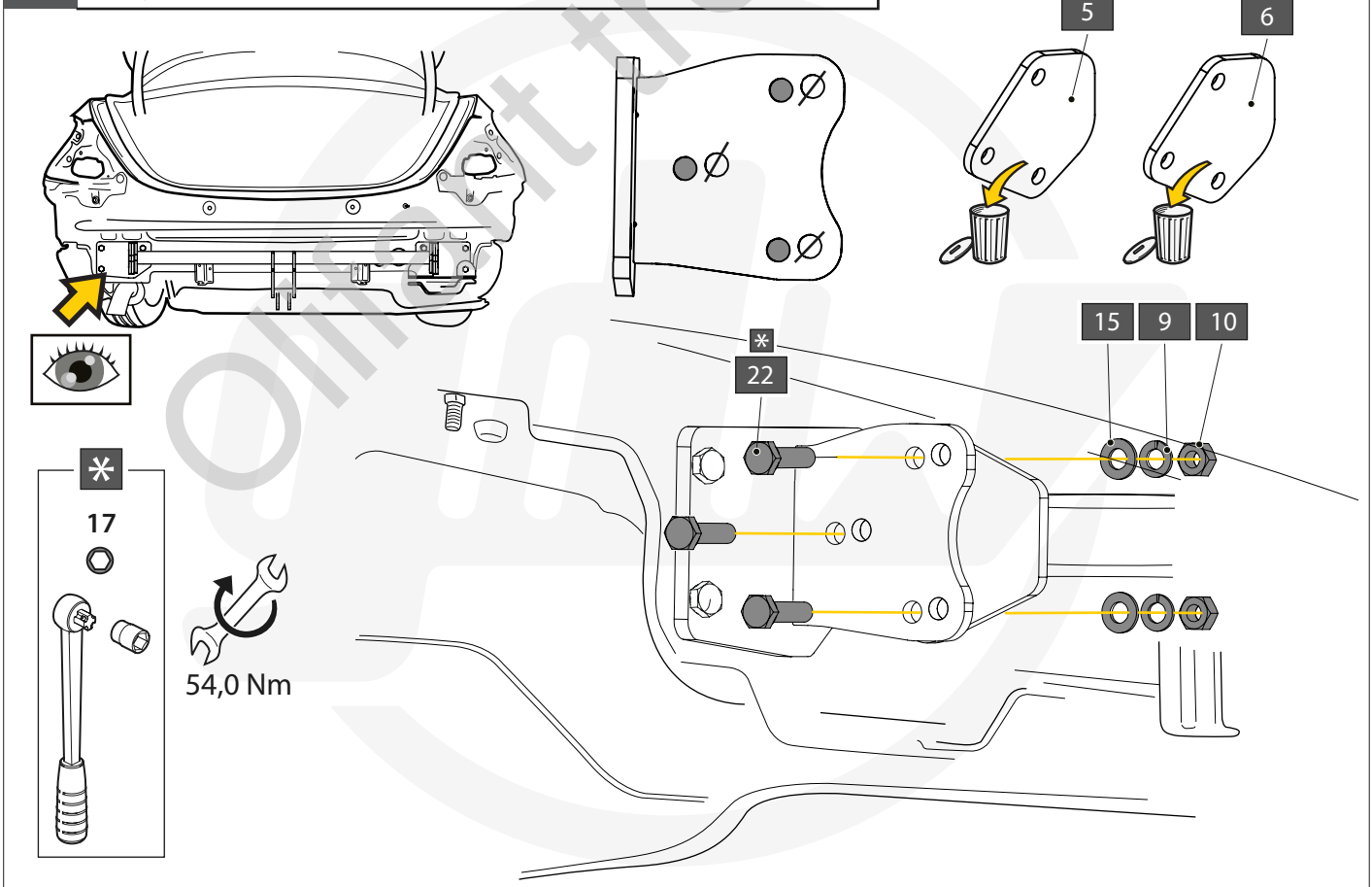




27 Only for W205/S205/A205/C205 Phase I/C238/A238

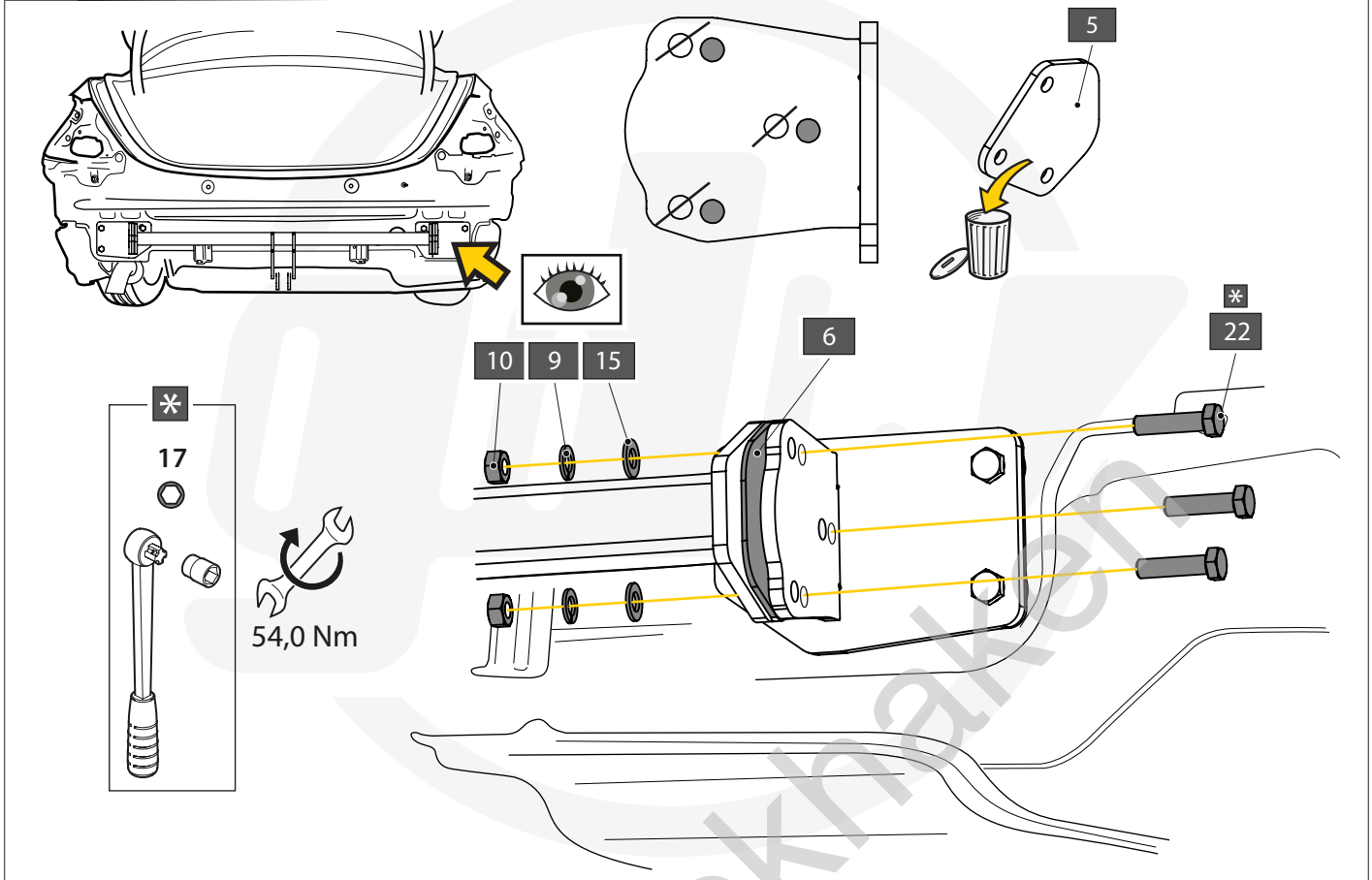


28 Only for W205/S205/A205/C205 Phase I/C238/A238

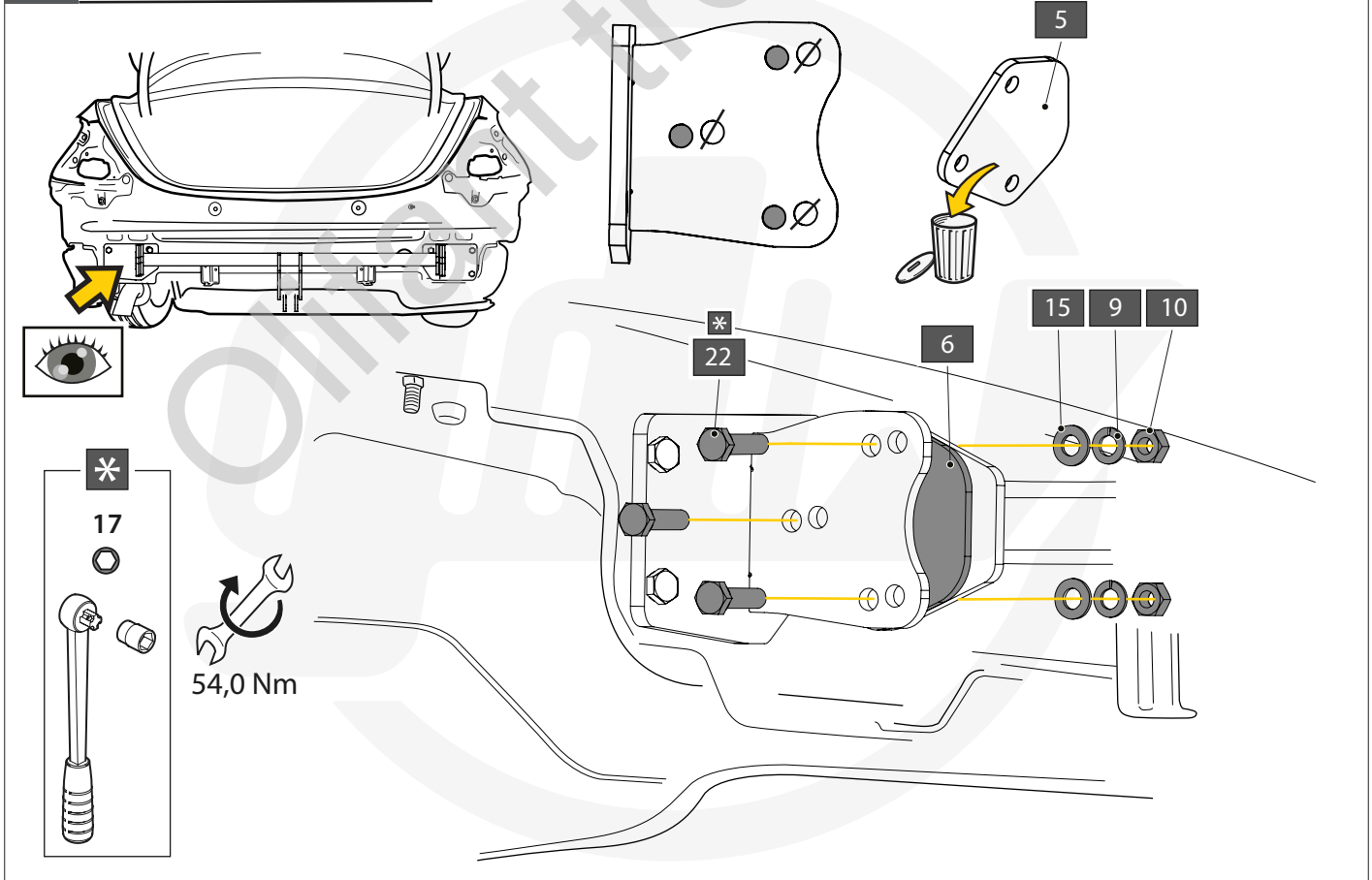




29 Only for C205 Phase II

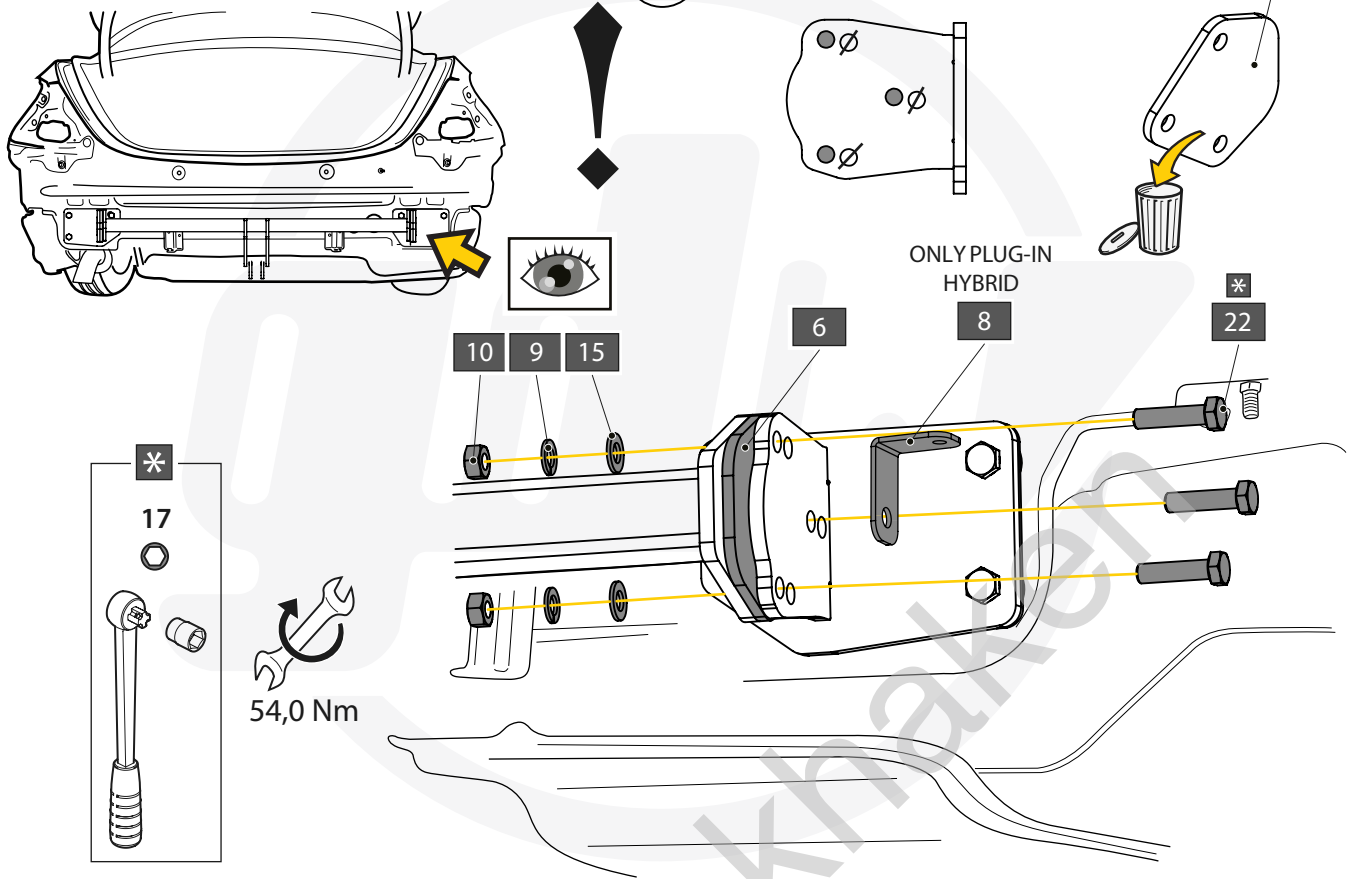


30 Only for C205 Phase II



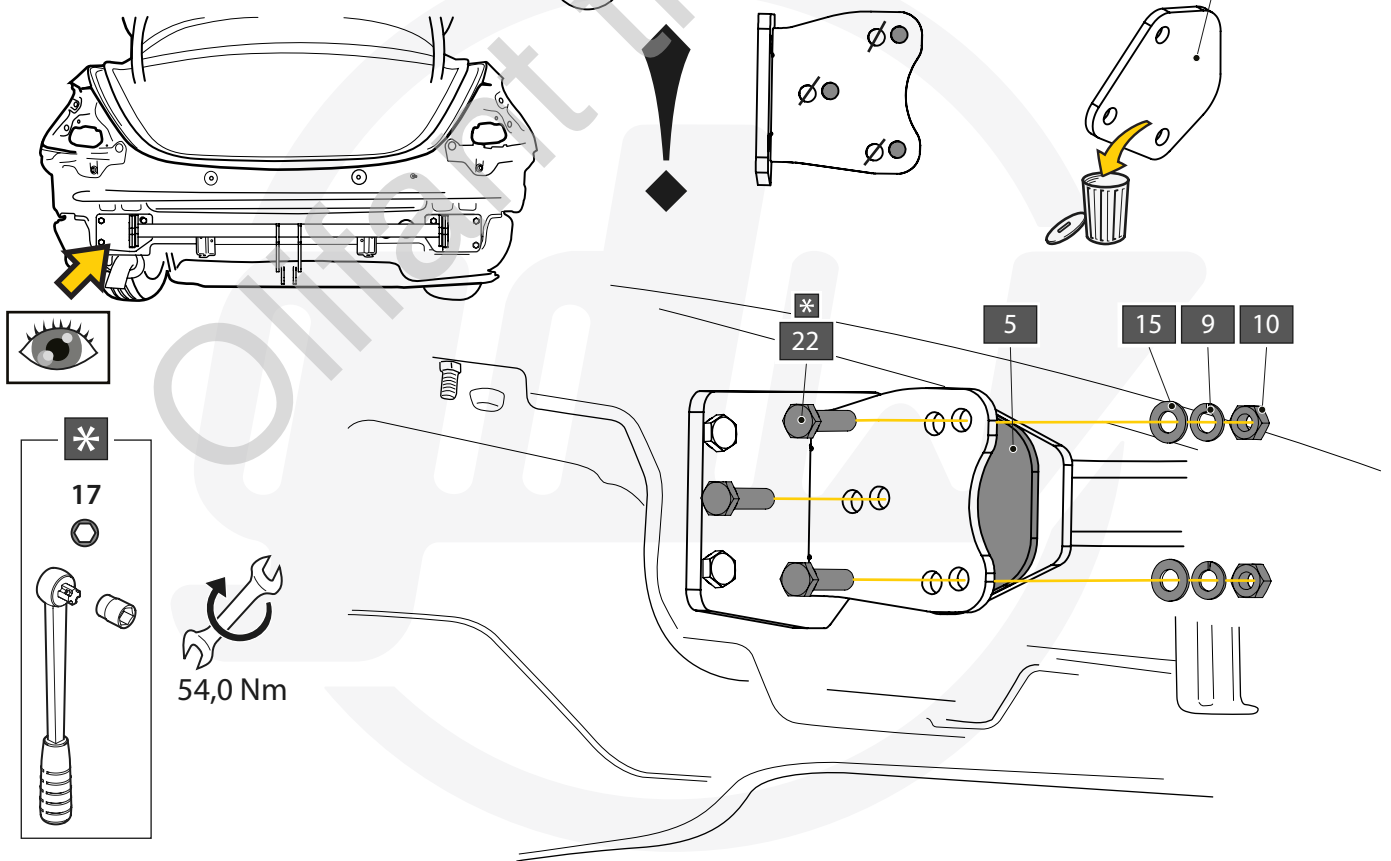
31 Only for S213

1 Standard & AMG-line



32 Only for S213

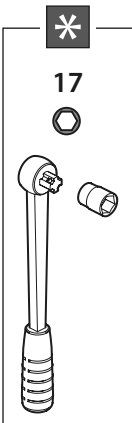
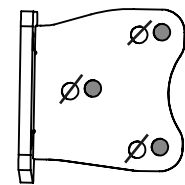
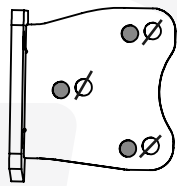
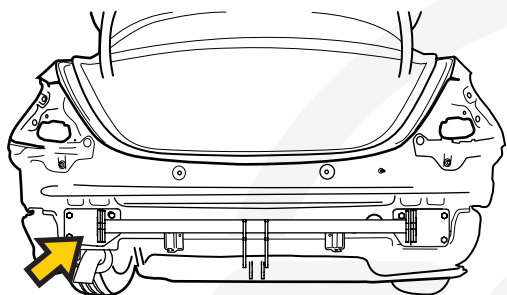
1 Standard & AMG-line



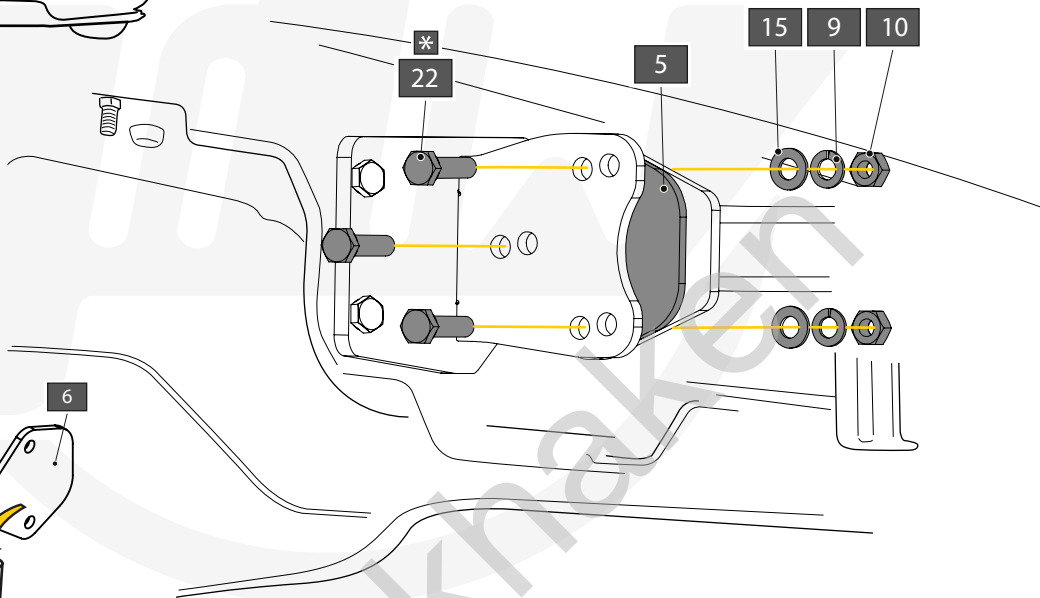
33 Only for W213

1 W213 STANDARD

2 W213 AMG-line



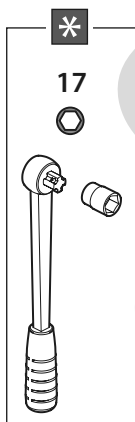
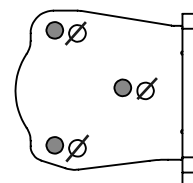
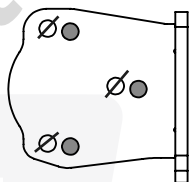
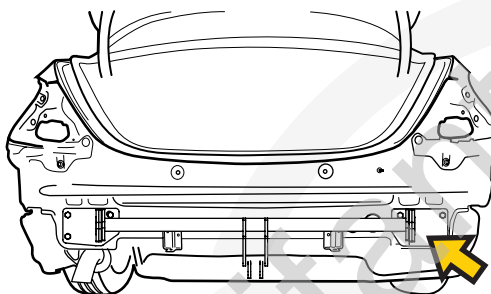
54,0 Nm



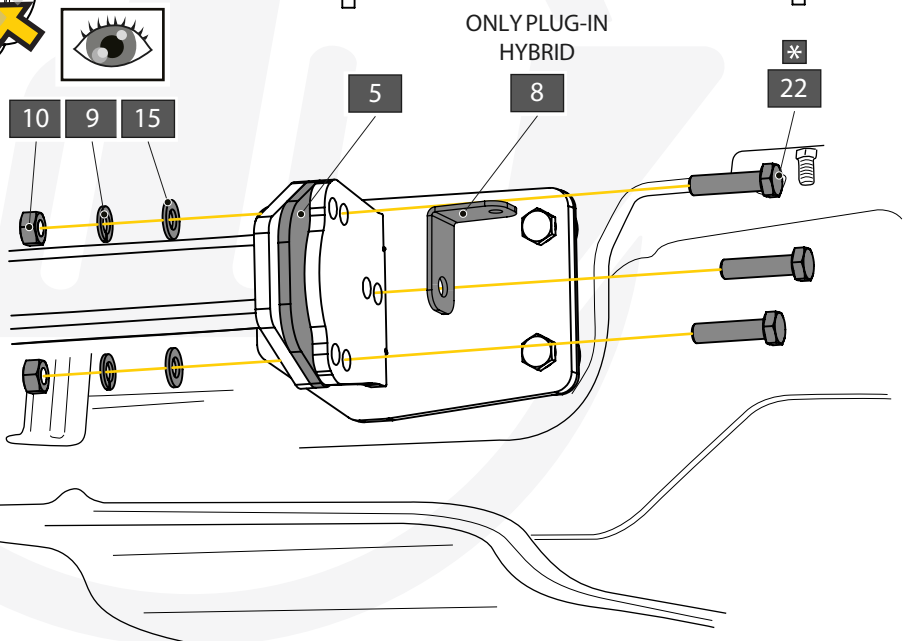
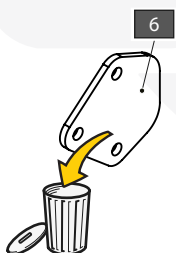
34 Only for W213

1 W213 STANDARD

2 W213 AMG-line

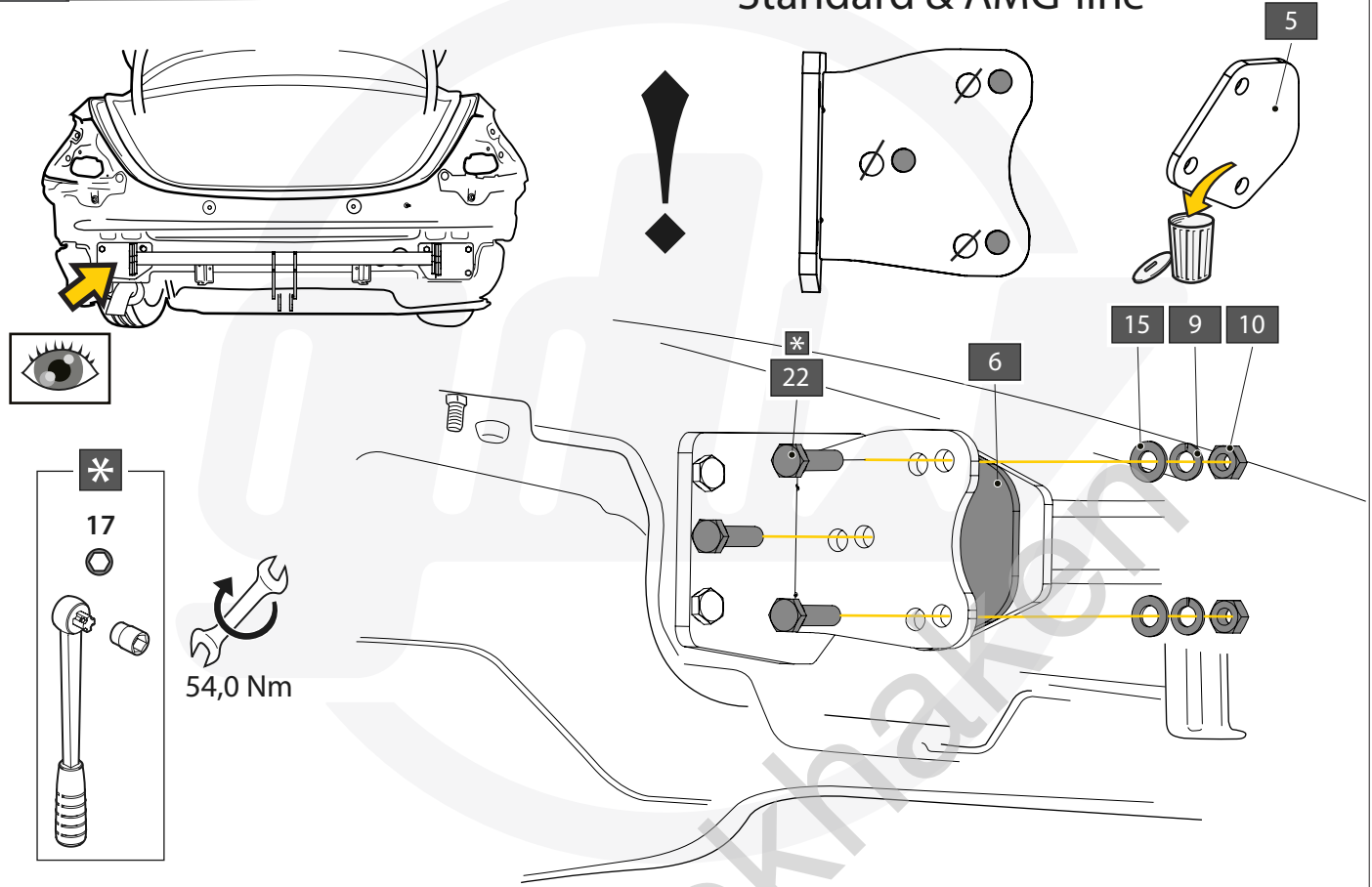


54,0 Nm



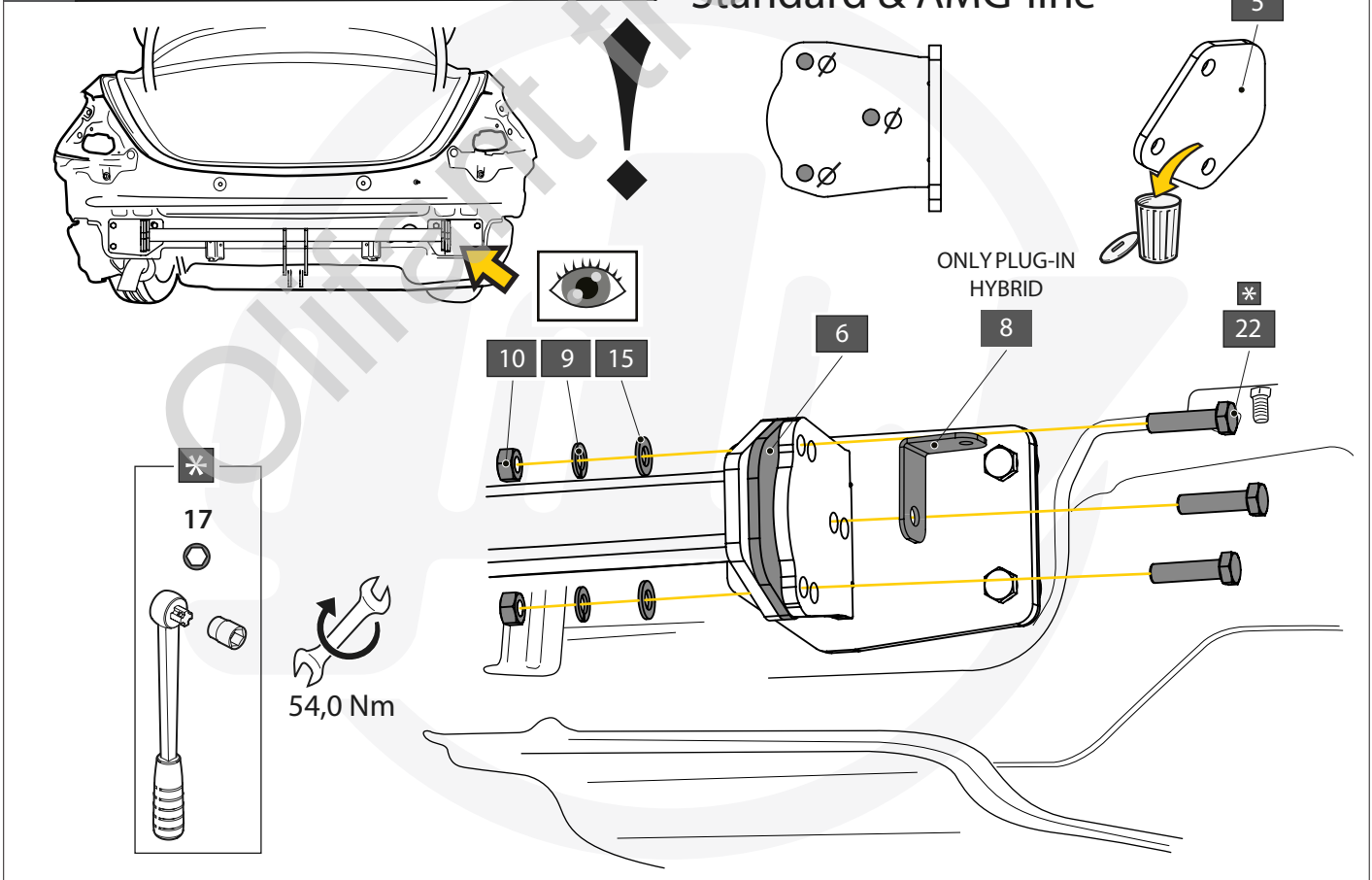
35 Only for W213 06/'20- + S213 07/'20-

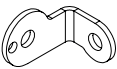




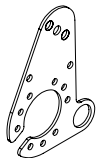
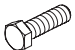
### Standard & AMG-line

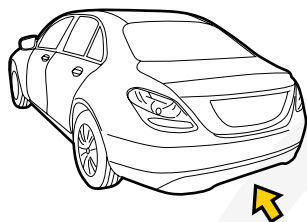
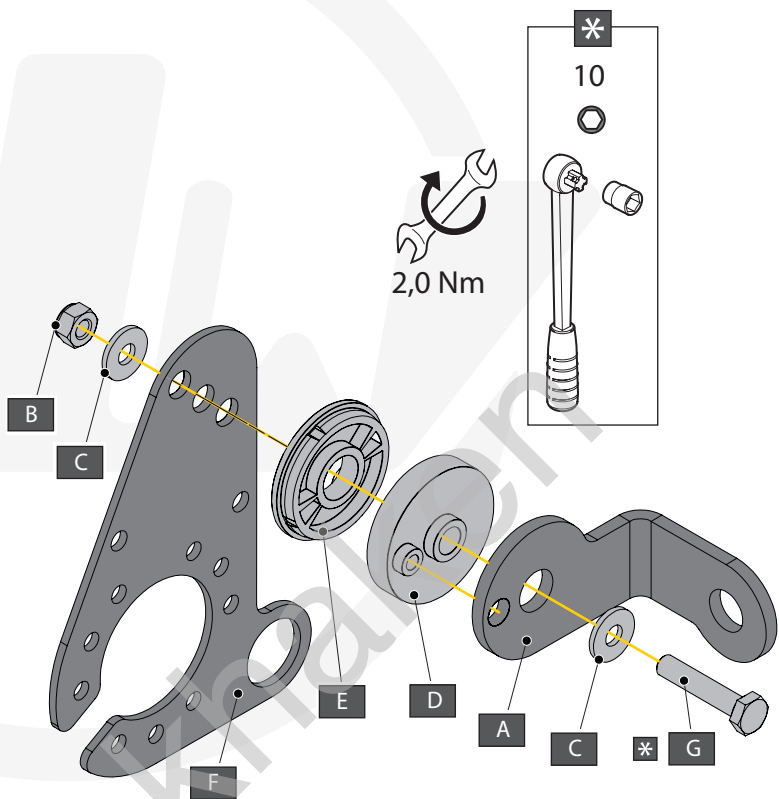


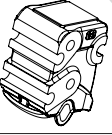




36 Only for W213 06/'20- + S213 07/'20-

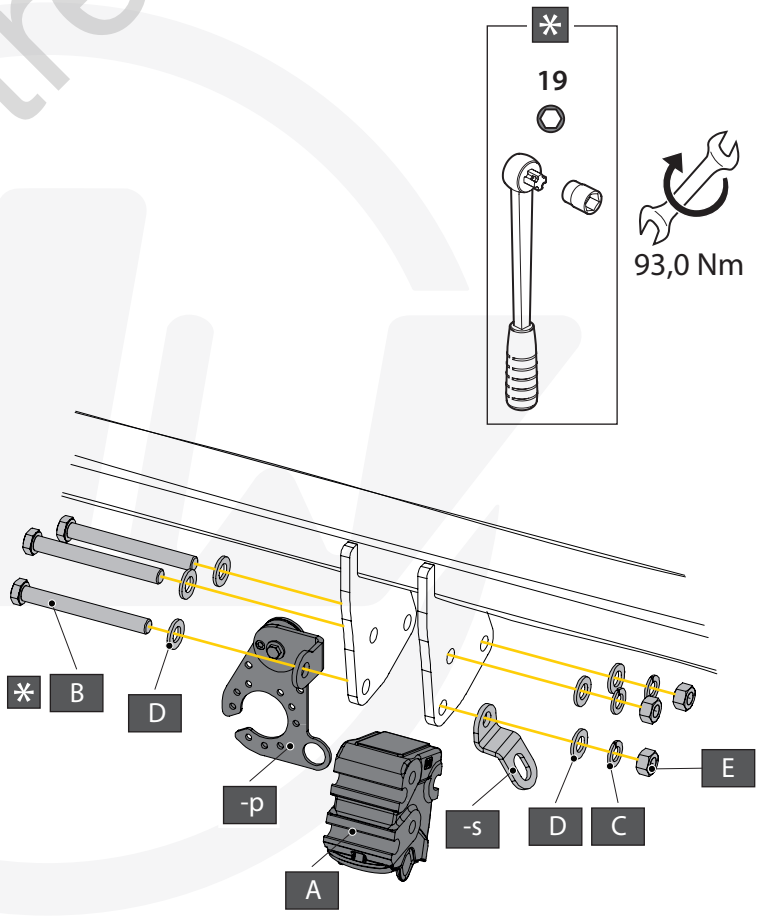
### Standard & AMG-line



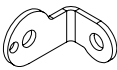




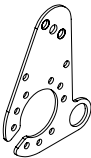

A		X1	GDW REF. 908.095
B		X1	DIN985-M6
C		X2	6,2 X 15,4 X 1,6 (NYLON)
D		X1	GDW REF. 718.16.002
E		X1	GDW REF. 718.16.003
F		X1	GDW REF. 908.094
G		X1	DIN933-M6 X 30

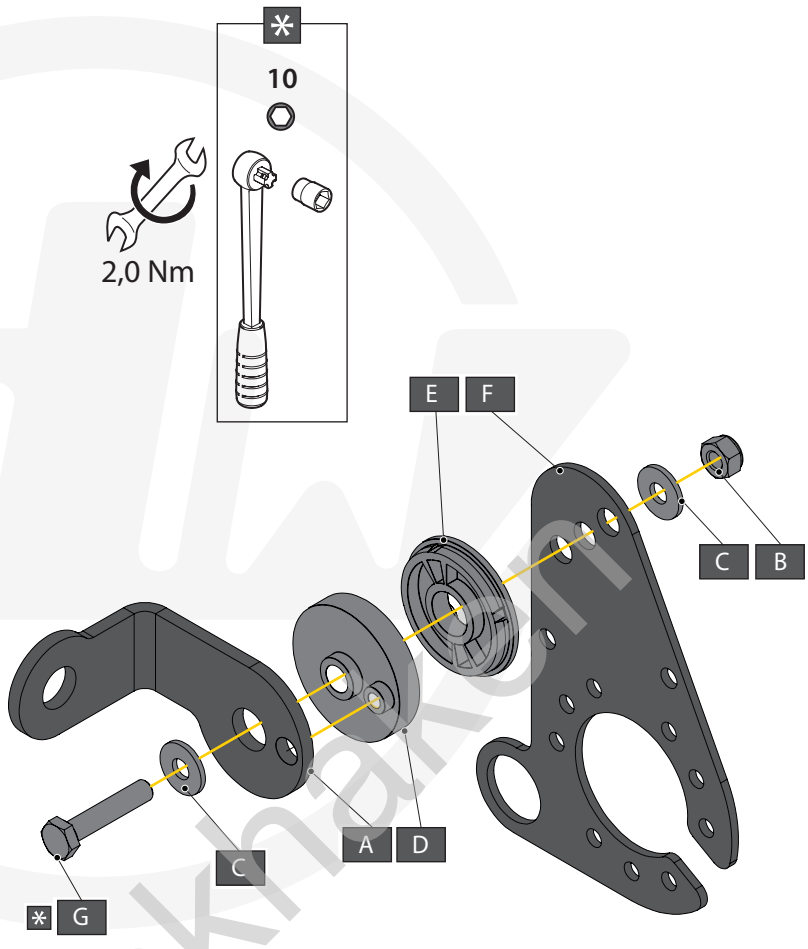


A		X1	912.003
B		X3	DIN931-M12X110
C		X6	DIN125A-M12
D		X3	DIN128A-M12
E		X3	DIN934-M12

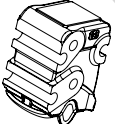






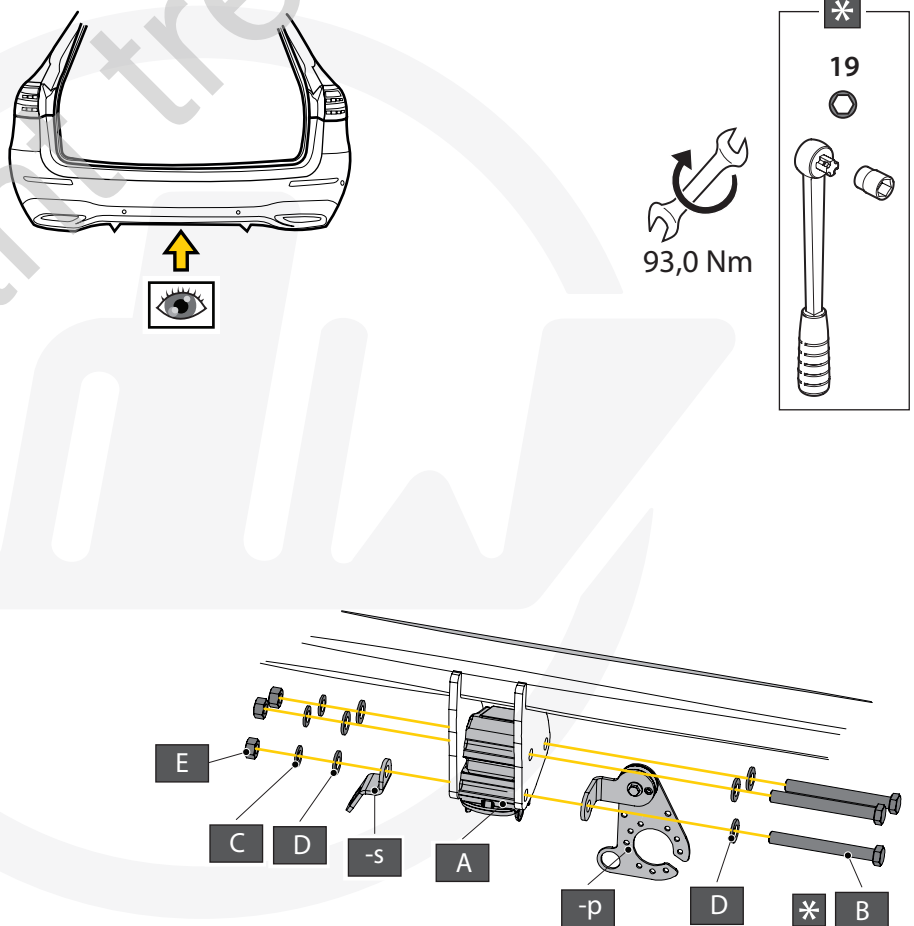
39 Only for S213 07/'20-

A		X1	GDW REF. 908.095
B		X1	DIN985-M6
C		X2	6,2 X 15,4 X 1,6 (NYLON)
D		X1	GDW REF. 718.16.002
E		X1	GDW REF. 718.16.003
F		X1	GDW REF. 908.094
G		X1	DIN933-M6 X 30



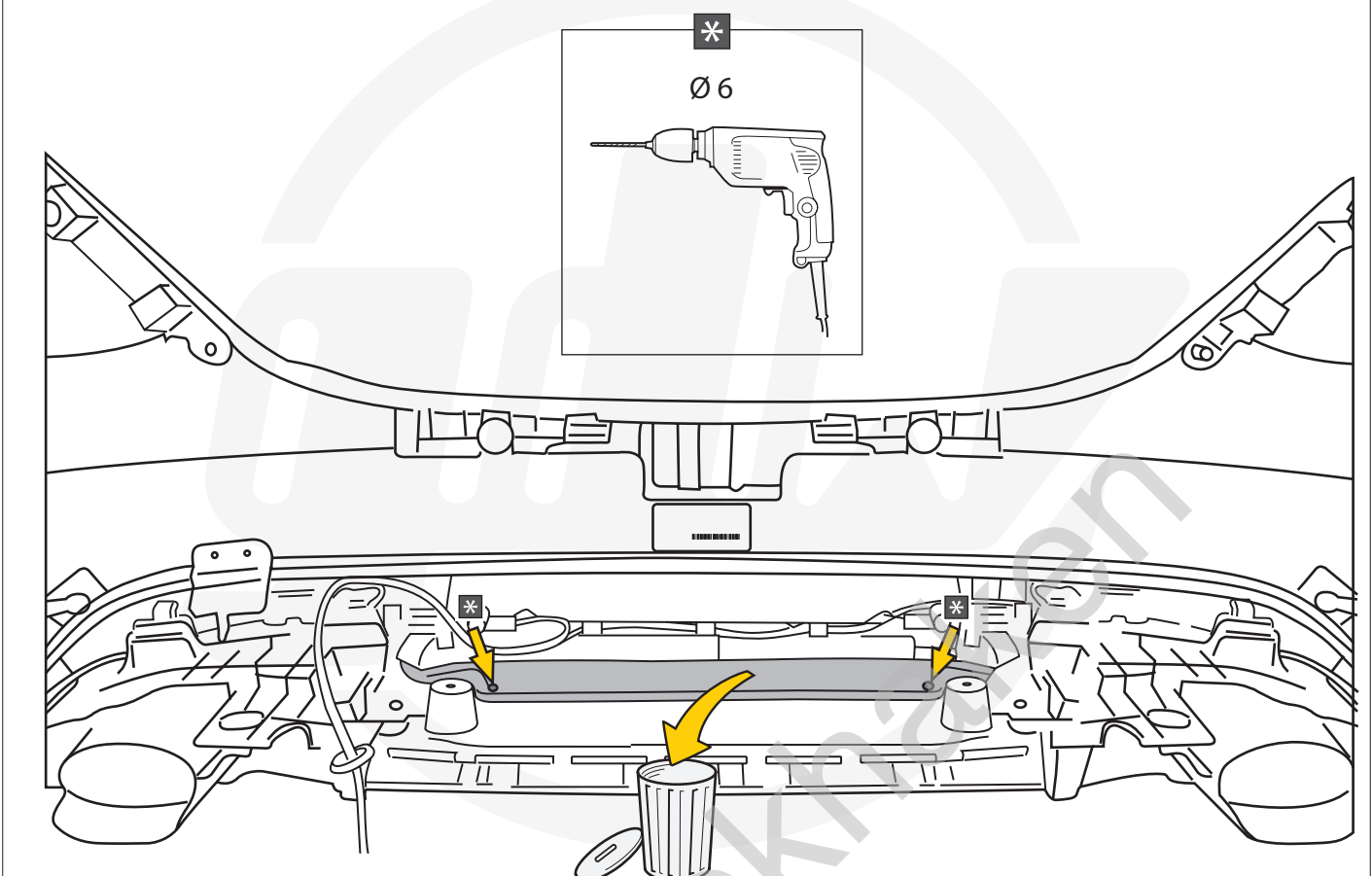
40 Only for S213 07/'20-

A		X1	912.003
B		X3	DIN931-M12X110
C		X6	DIN125A-M12
D		X3	DIN128A-M12
E		X3	DIN934-M12

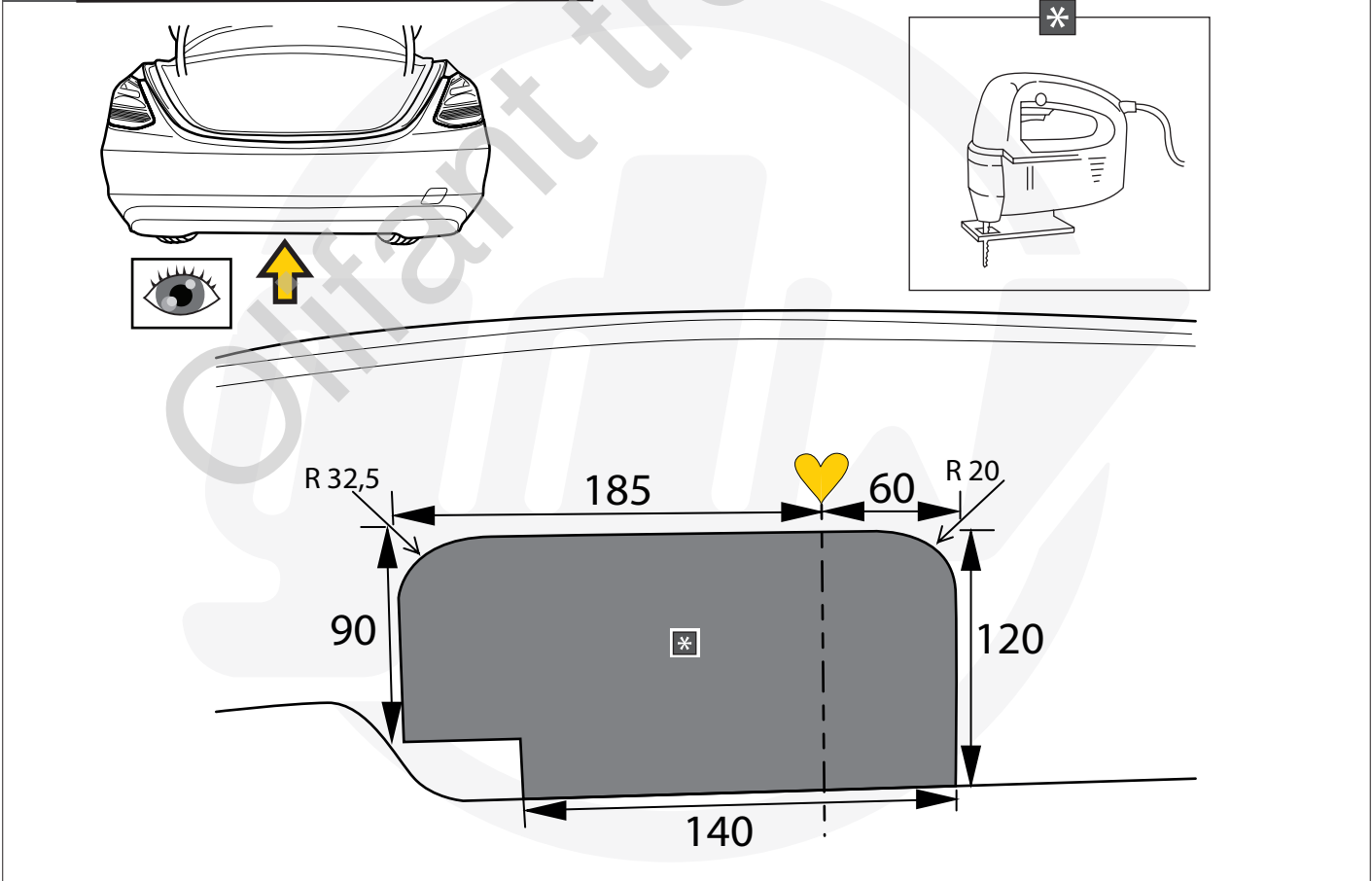




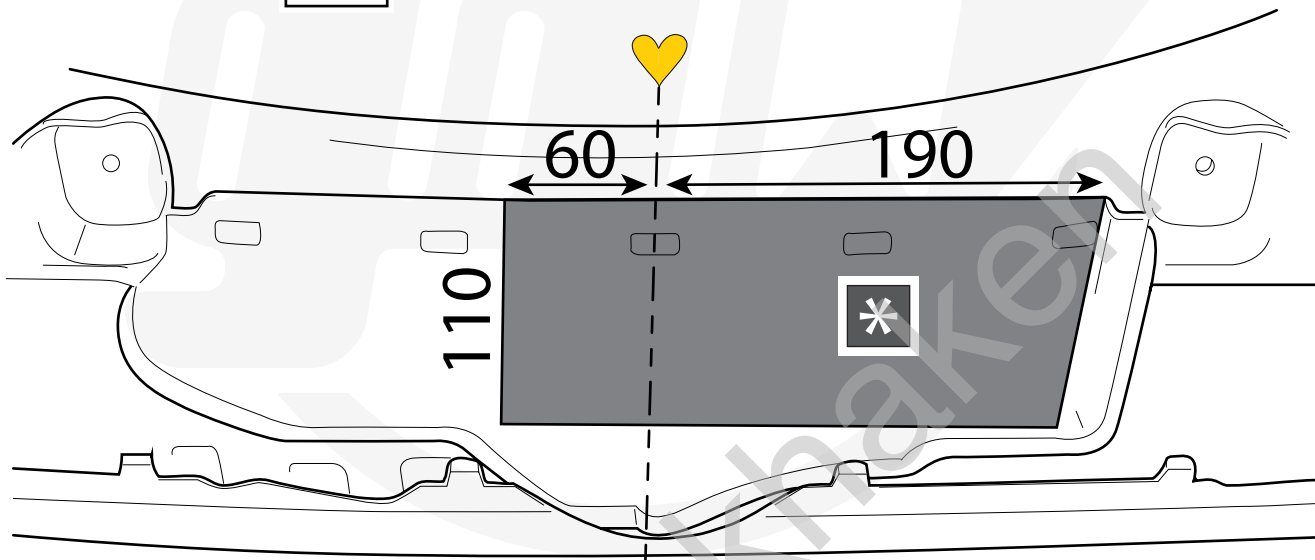
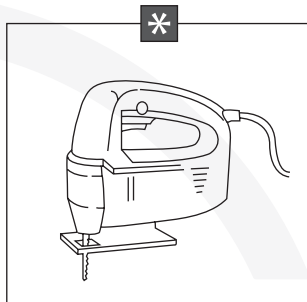
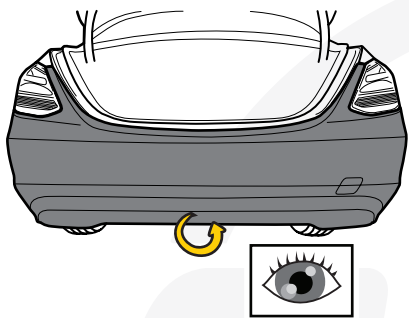
41 Only for W205, S205, A205 & C205 AMG-Line



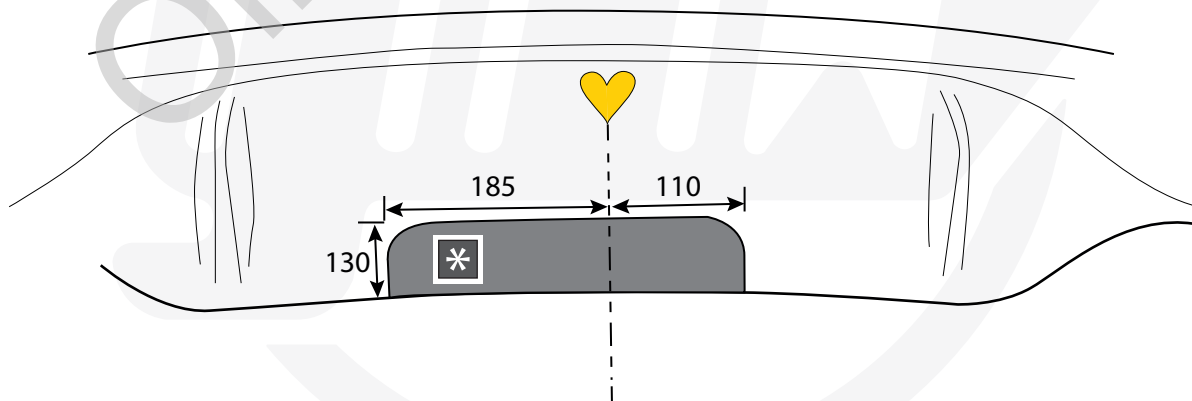
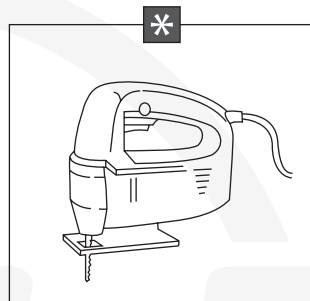
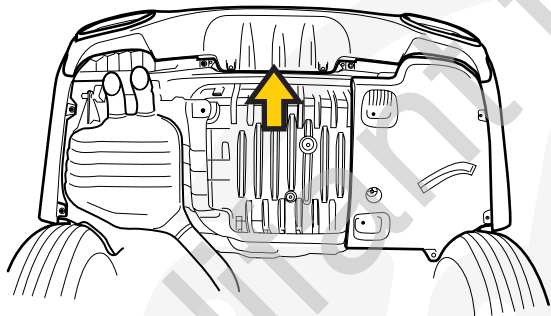
42 Only for W213 without AMG-line



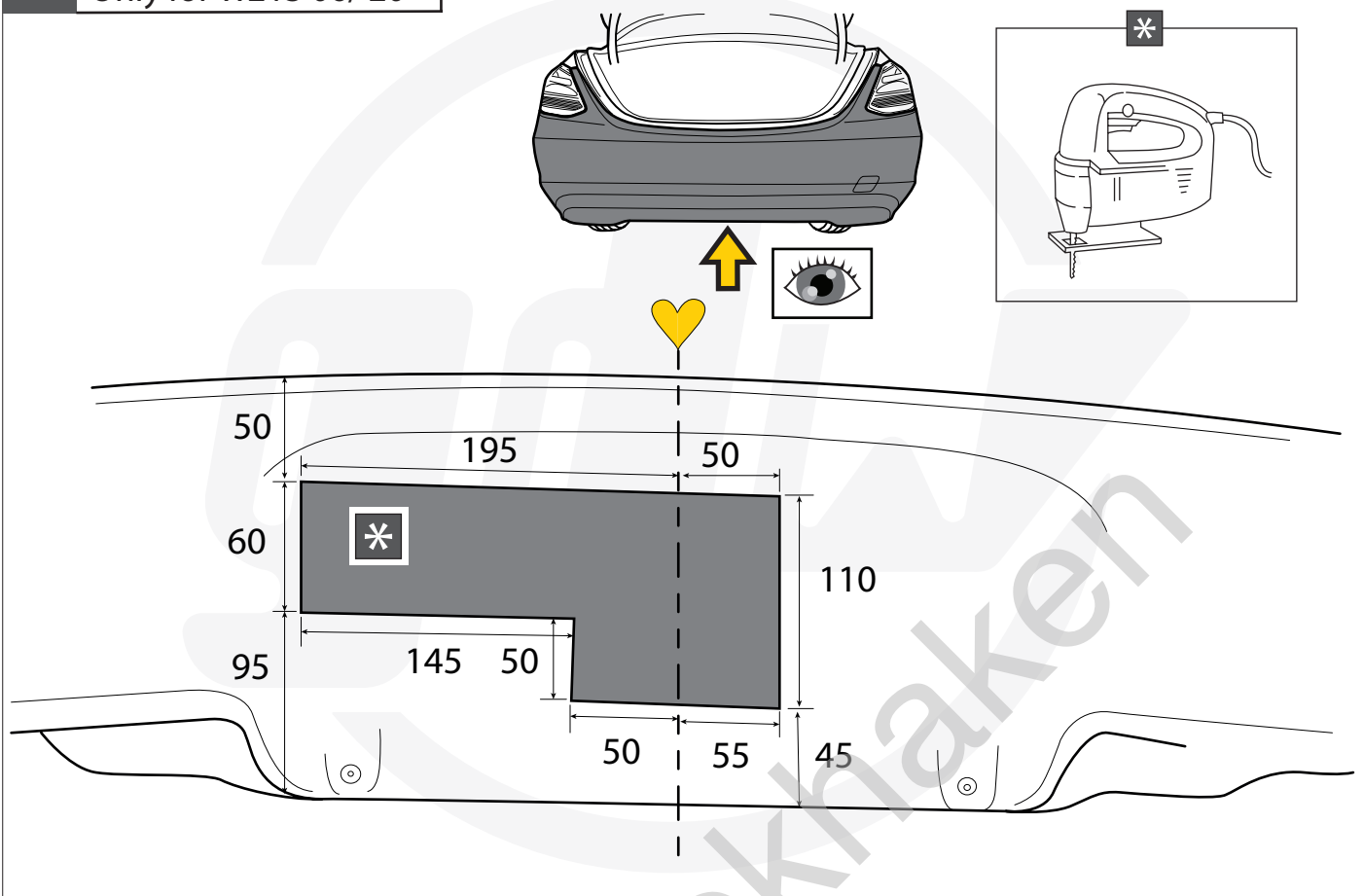
43 Only for W213 without AMG-line



44 Only for W213 with AMG-line + S213 + S213 with AMG-line



45 Only for W213 06/'20-



46 Only for S213 07/'20-

