



TREKHAKEN • ATTELAGES • ANHÄNGERVORRICHTUNGEN • TOWBARS • ENHANCES • ANHÆNGERTRÆK  
Montagehandleiding | instructions de montage | Einbauanleitung | Mounting instruction  
Instrucciones de montaje | monteringsvejledning

## Mercedes GLC SUV (X253)

06/'15 - 05/'19

## Mercedes GLC Facelift

06/'19 -

- ✓ STANDARD
- ✓ AMG-LINE
- ✓ HANDSFREE TAILGATE\*  
\*SENSOR MUST BE DISABLED VIA PROGRAMMING
- ✓ HYBRID
- ✓ PLUG-IN HYBRID



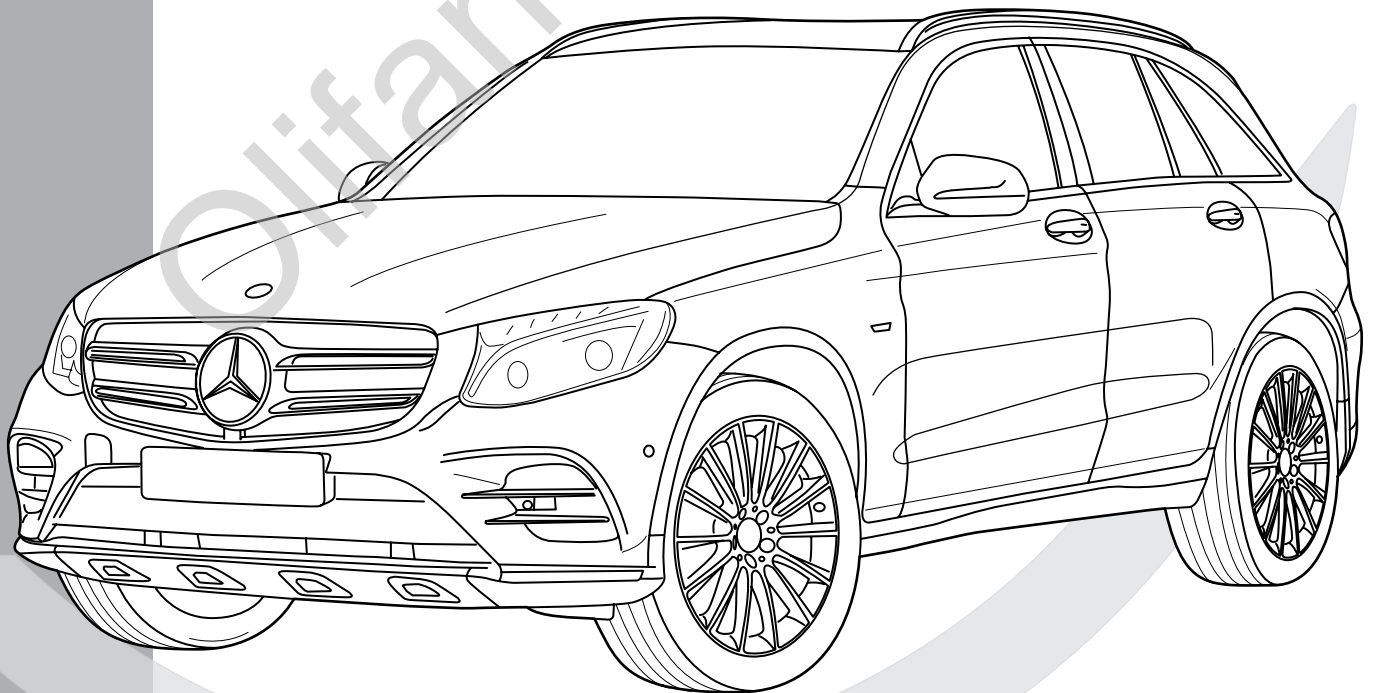
## Mercedes GLC Coupé (C253)

06/'16 - 05/'19


## Mercedes GLC Coupé Facelift

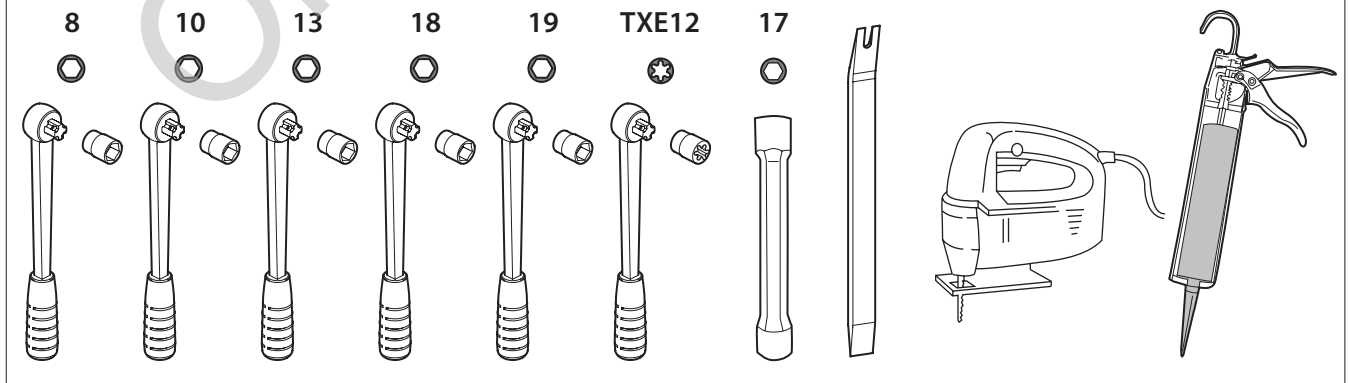
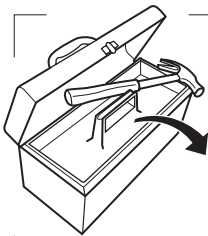
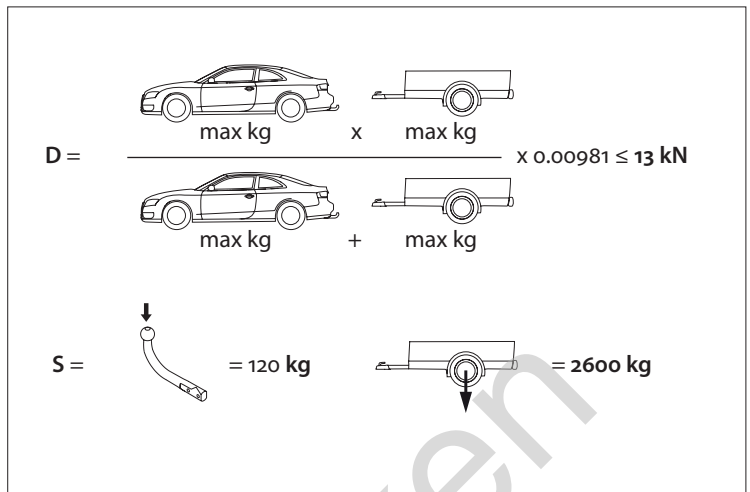
06/'19 -

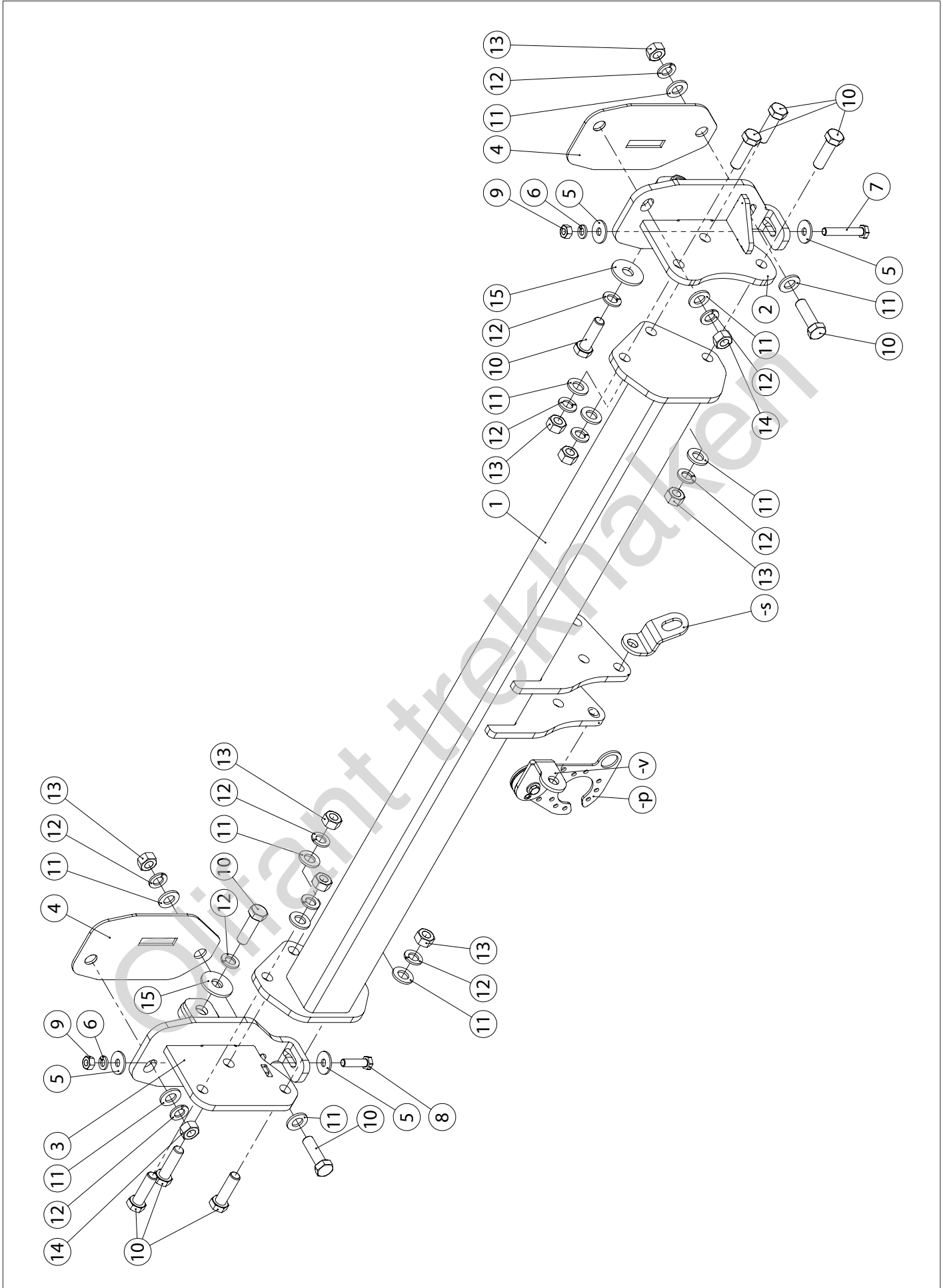
- ✓ STANDARD
- ✓ AMG-LINE
- ✓ HANDSFREE TAILGATE\*  
\*SENSOR MUST BE DISABLED VIA PROGRAMMING
- ✓ HYBRID
- ✓ PLUG-IN HYBRID

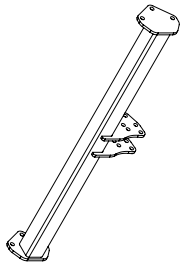
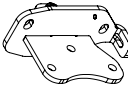
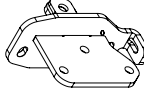









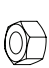





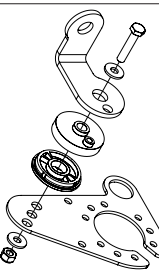

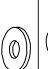

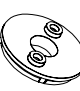
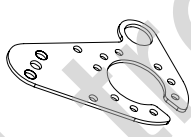


See the Certificate Of Conformity (COC) of your vehicle or contact your dealer to verify the max. trailer weight of your car!

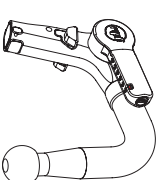
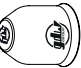
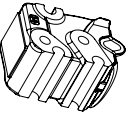


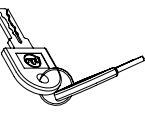

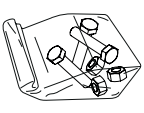


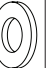

MADE BY	D 13	F	E6
			
BELGIUM	S 120	EC APPROVAL N°	
		55R-011521	
REF N°	SERIE N°		
2182T60			
OMSCHRIJVING			
Mercedes GLC SUV 09/'15-			
Mercedes GLC Coupé 06/'16-			



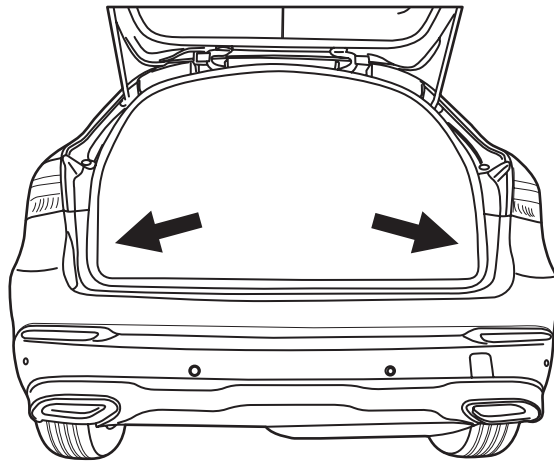


1		X1	GDW REF. 2182T60
2		X1	GDW REF. 2
3		X1	GDW REF. 3
4		X2	GDW REF. 716.00.021
5		X4	DIN9021-M8-ELVZ
6		X2	DIN128A-M8
7		X1	DIN931-M8X50
8		X1	DIN933-M8X30
9		X2	DIN934-M8
10		X10	DIN933-M12X40
11		X12	DIN125-A12-140HV-ELVZ
12		X12	DIN128A-M12
13		X8	DIN934-M12
14		X2	DIN934-M12-1.5
15		X2	DIN9021-M12-ELVZ
-V		X1	GDW REF. 4

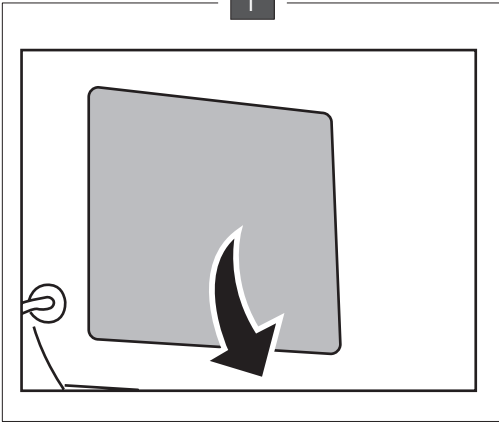
-P		X1	GDW REF. P40
L		X1	DIN985-M6
L		X2	6,2 X 15,4 X 1,6 (NYLON)
L		X1	GDW REF. 718.16.002
L		X1	GDW REF. 718.16.003
L		X1	GDW REF. 908.094
L		X1	DIN933-M6 X 30
L		X1	GDW REF. 908.096

Geleverd met - Livré avec - Delivered with Geliefert mit - Elementos adjuntos-Leveres med		X1	GDW REF. 960.V1208	
	L		X1	GDW REF. 740.200
	L		X1	GDW REF. 912.003
	L		X1	GDW REF. 740.112
	L		X1	GDW REF. 740.111
	L		X1	GDW REF. 740.114
	L		X1	GDW REF. 718.15.001
	L		X1	GDW REF. SYST60-10
	L		X3	DIN931-M12X110-8.8
	L		X3	DIN128A-M12
	L		X6	DIN125A-M12
	L		X3	DIN934-M12

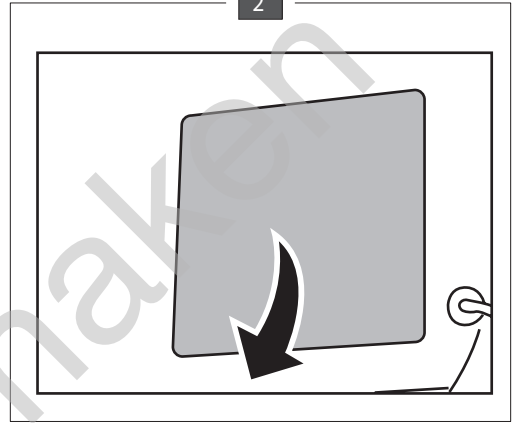
1



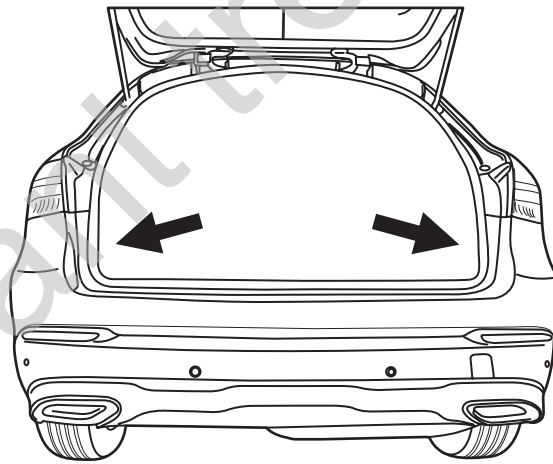
1



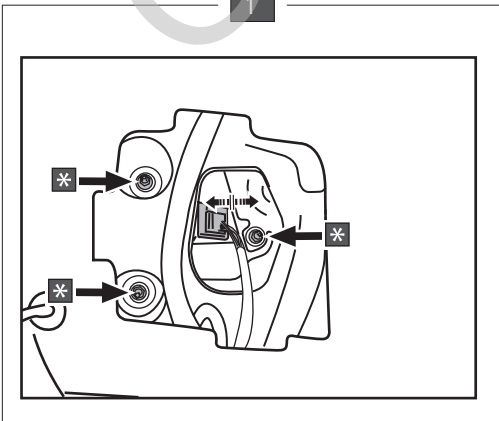
2



2

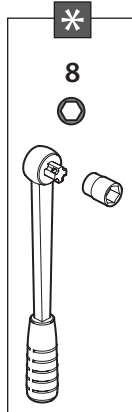


1

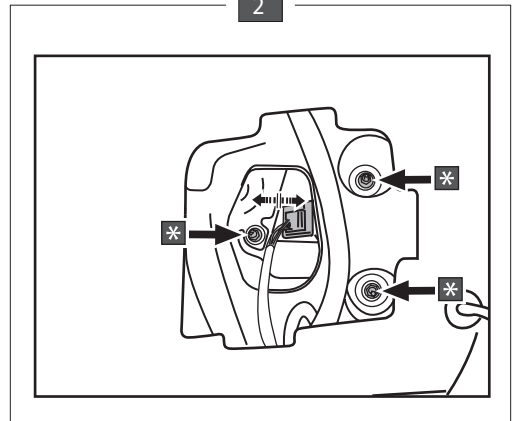


\*

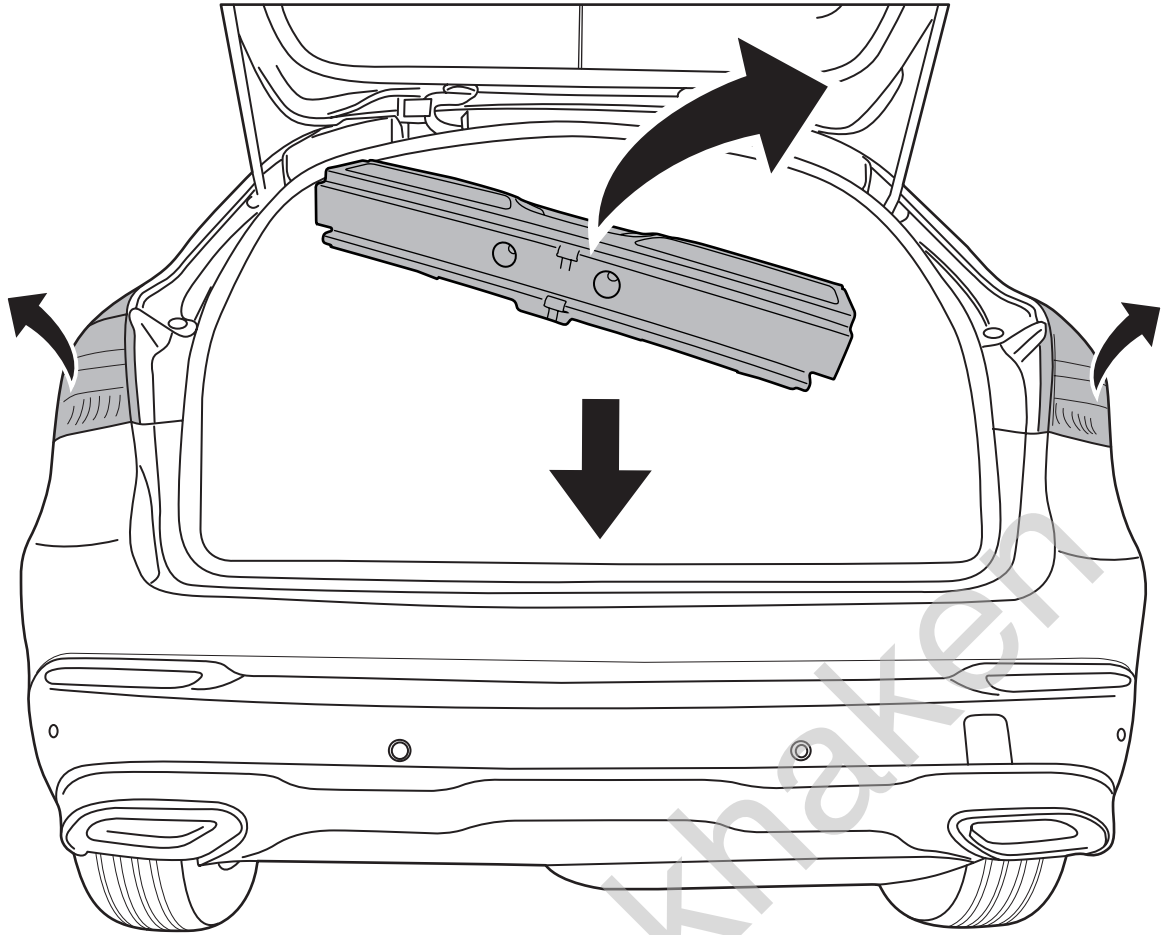
8



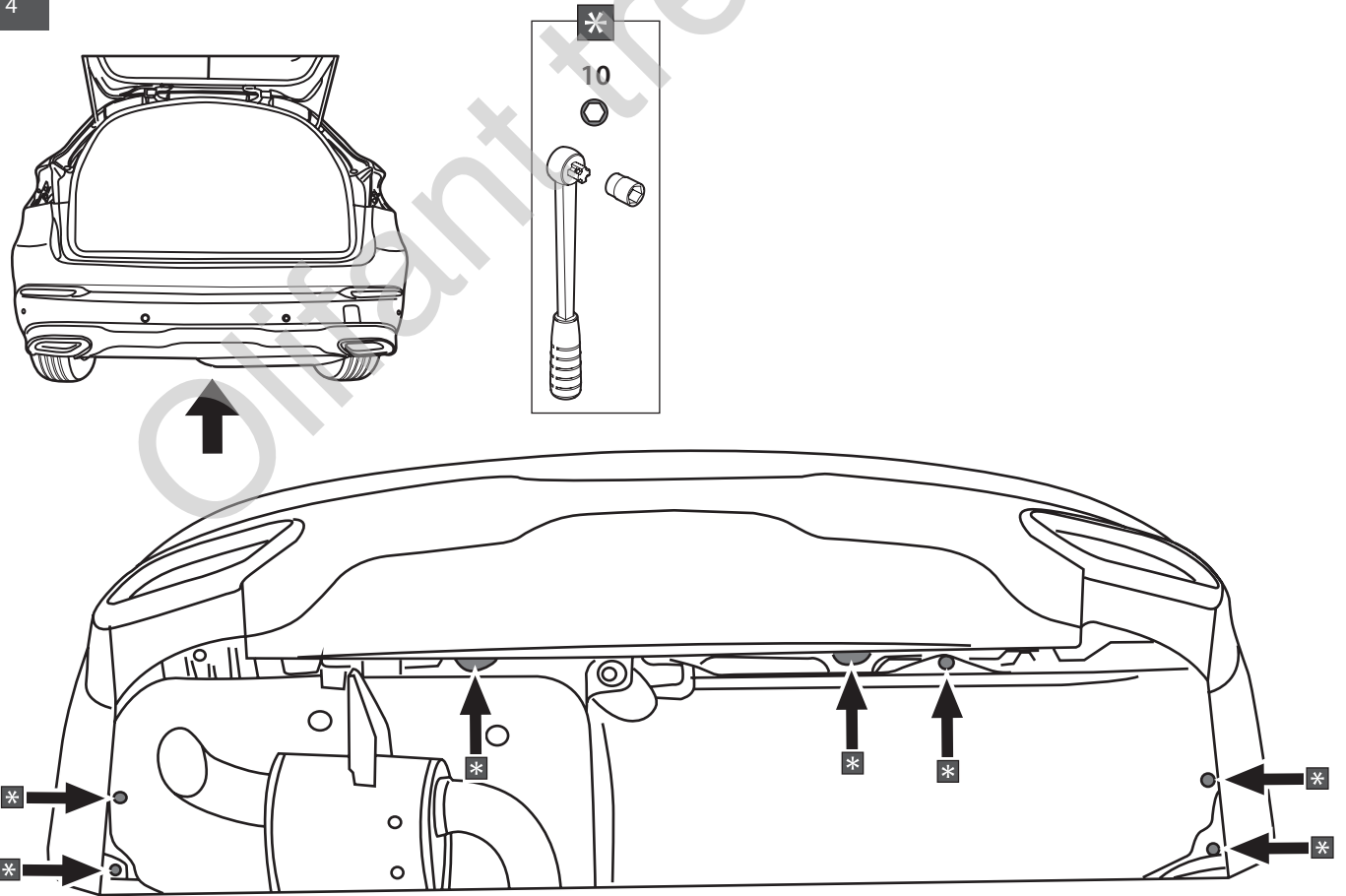
2



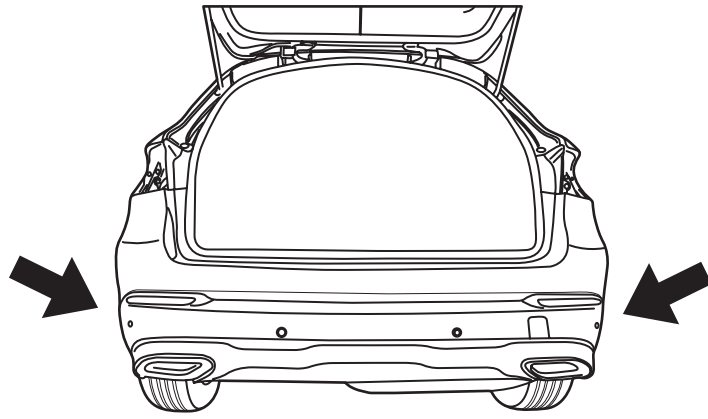
3



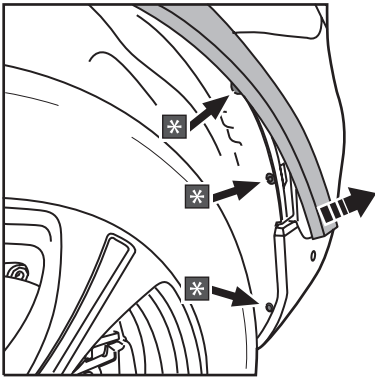
4



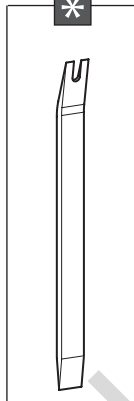
5



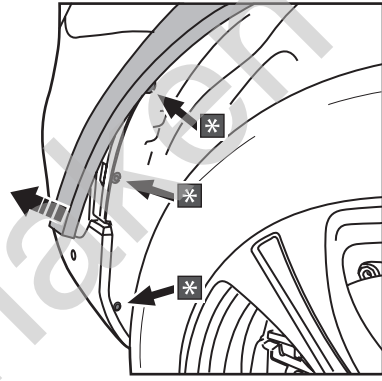
1



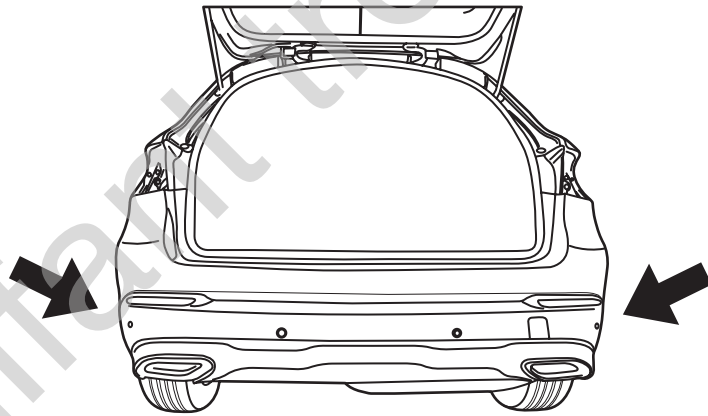
\*



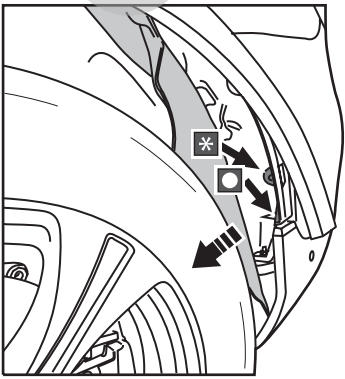
2



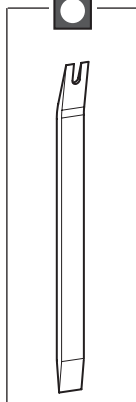
6



1

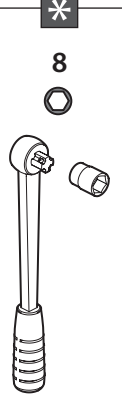


□

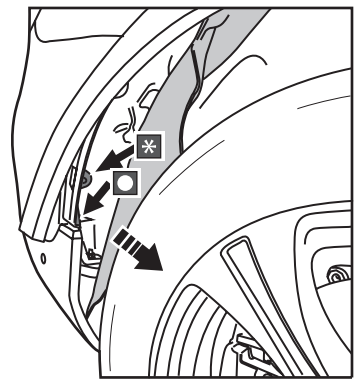


\*

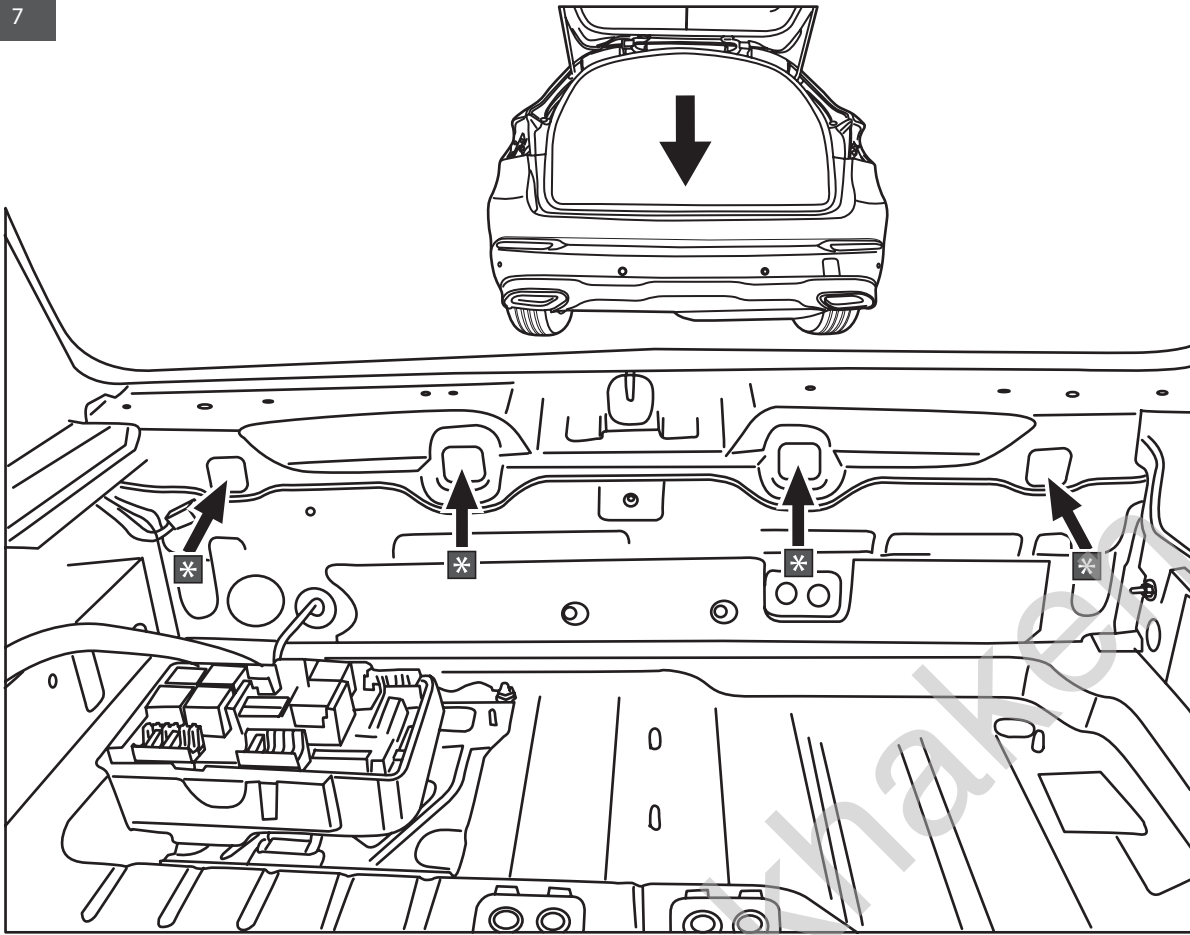
8



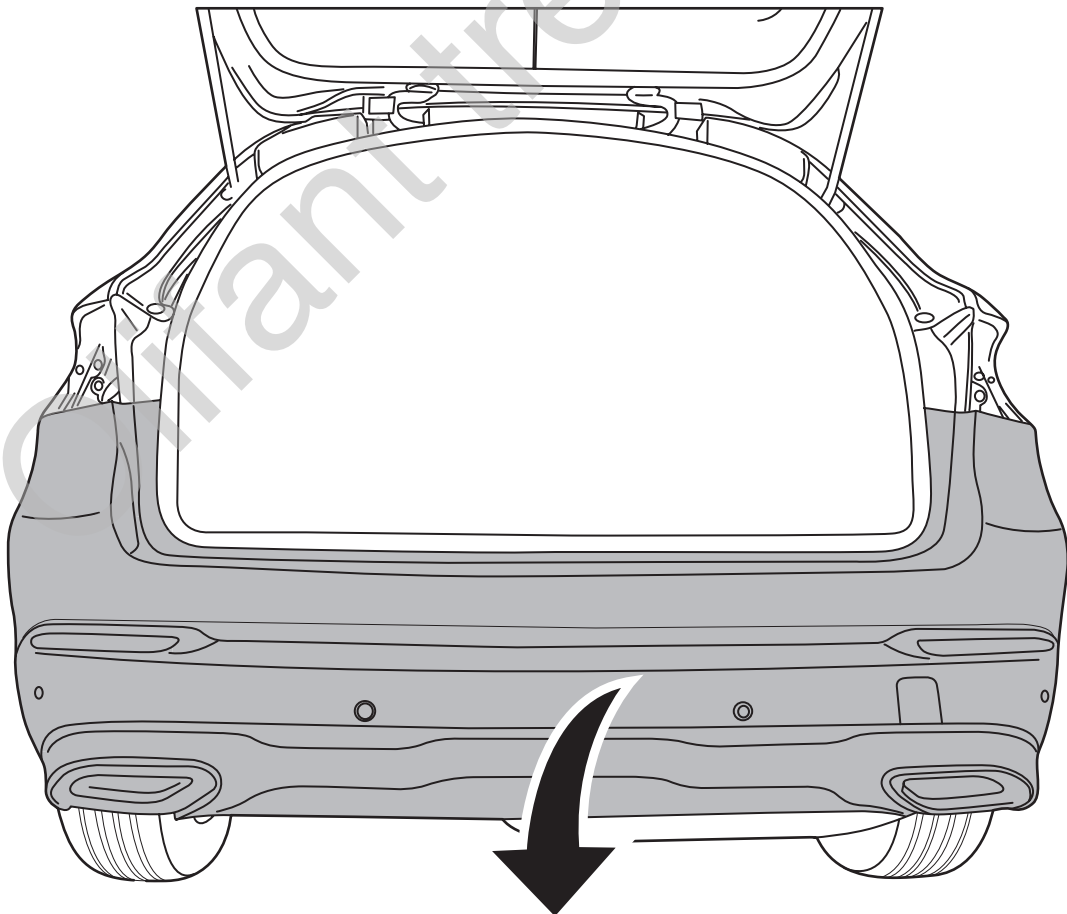
2



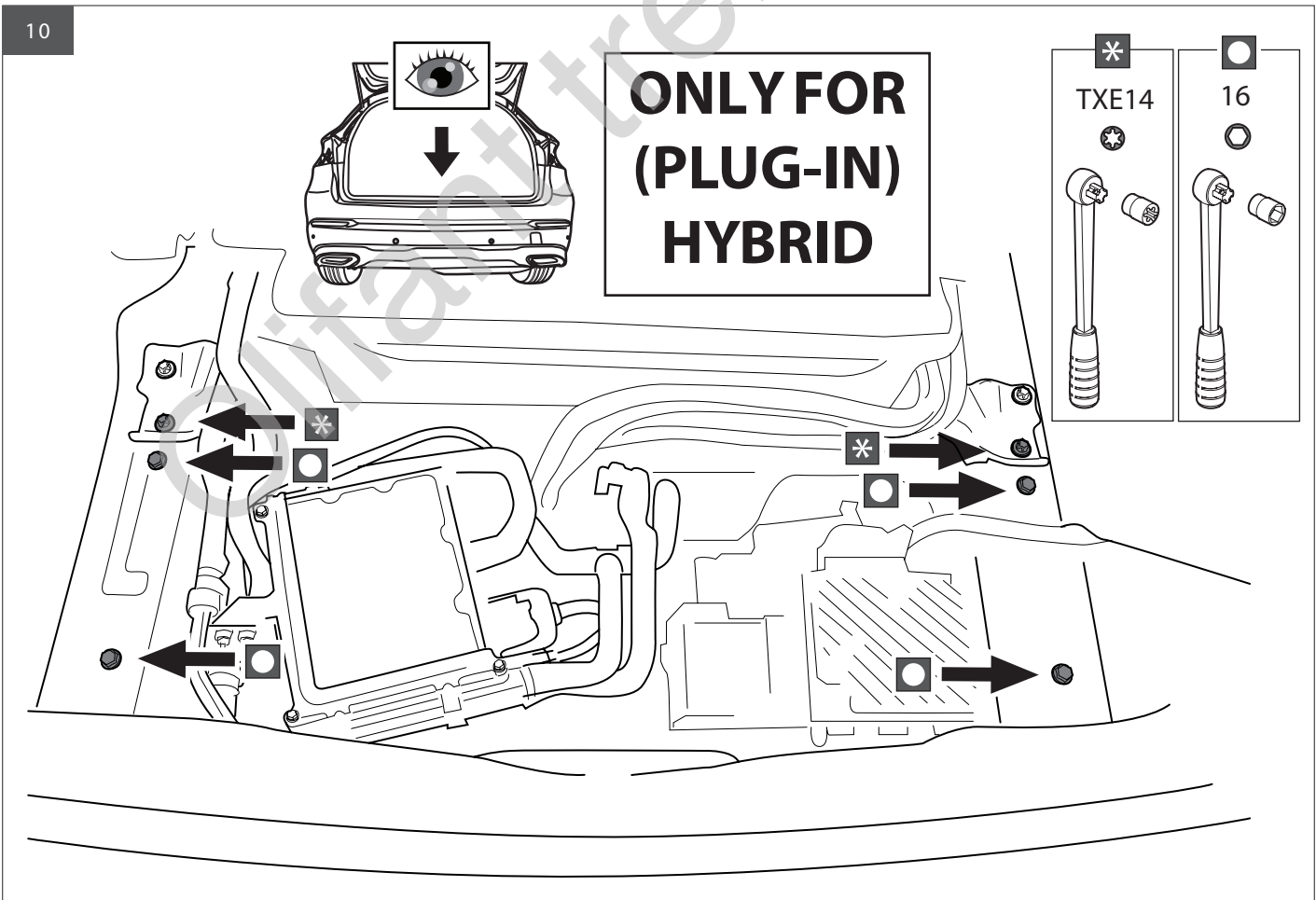
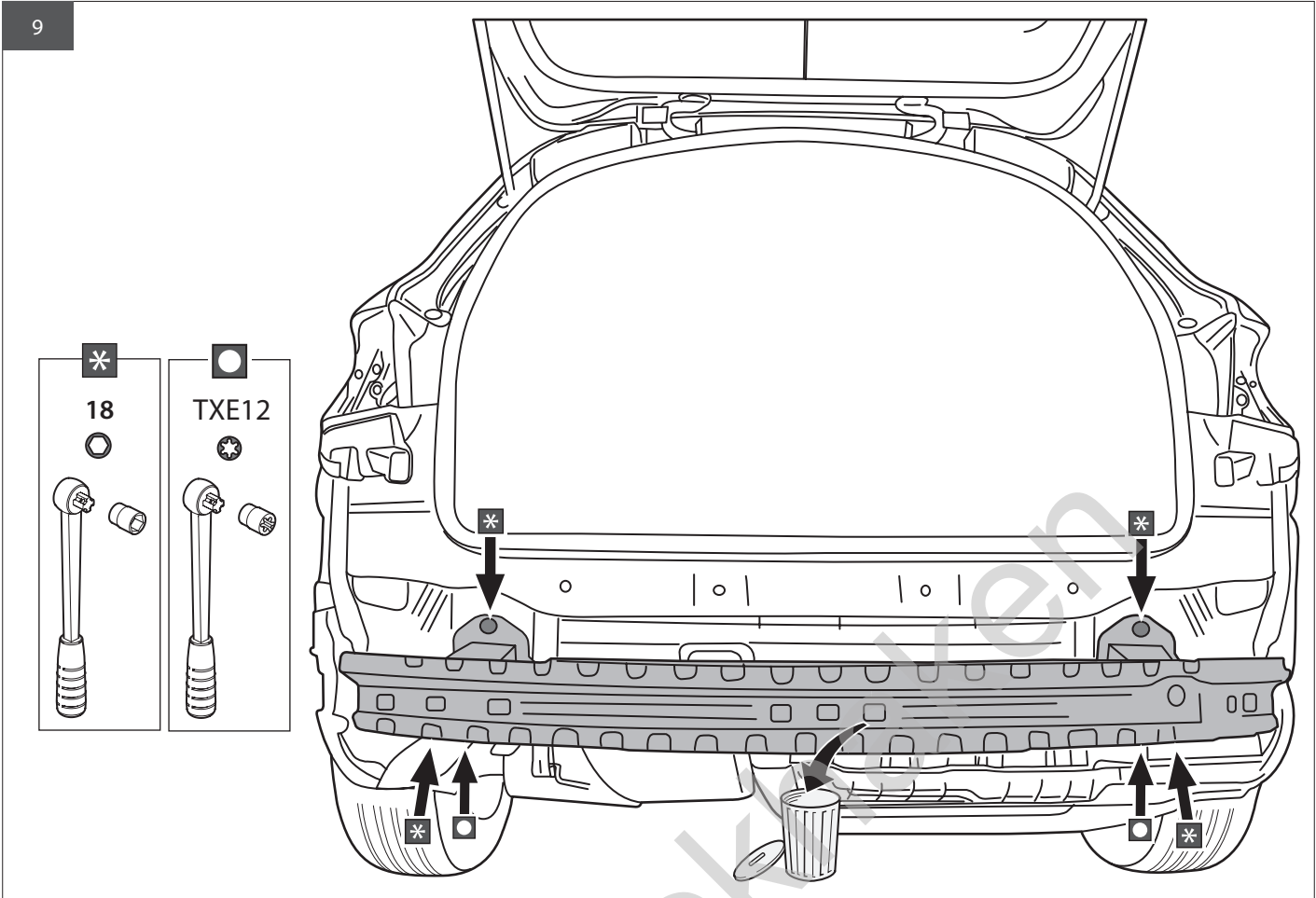
7

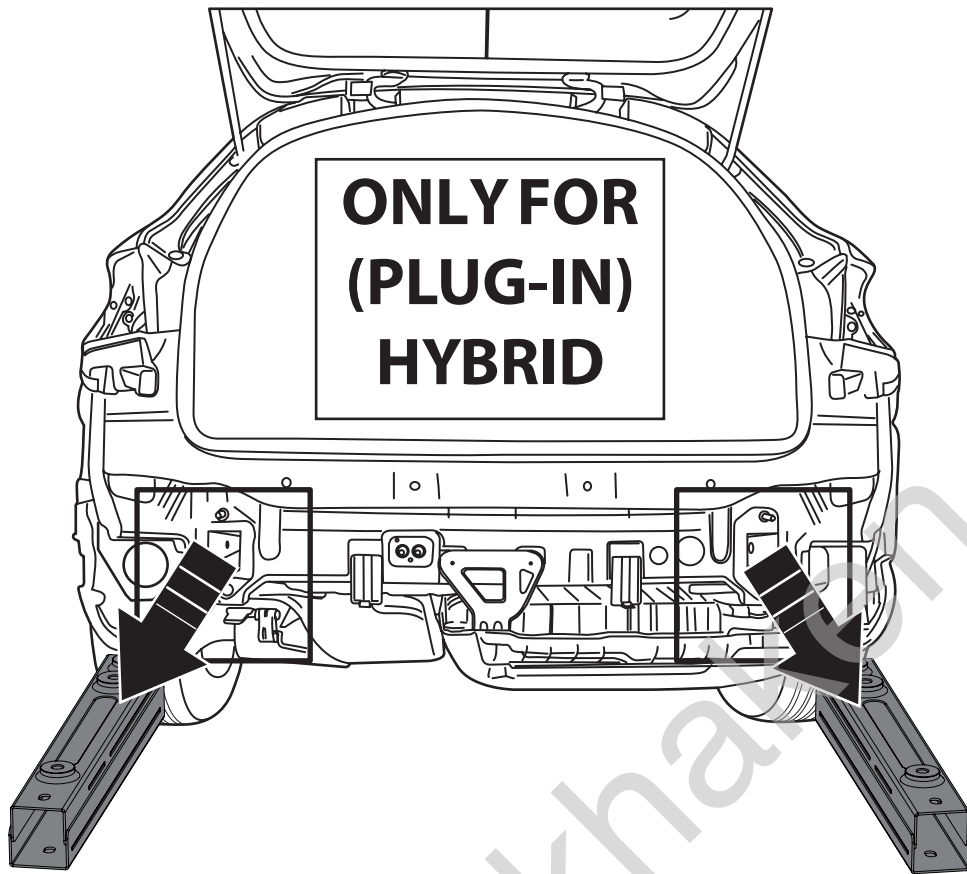


8



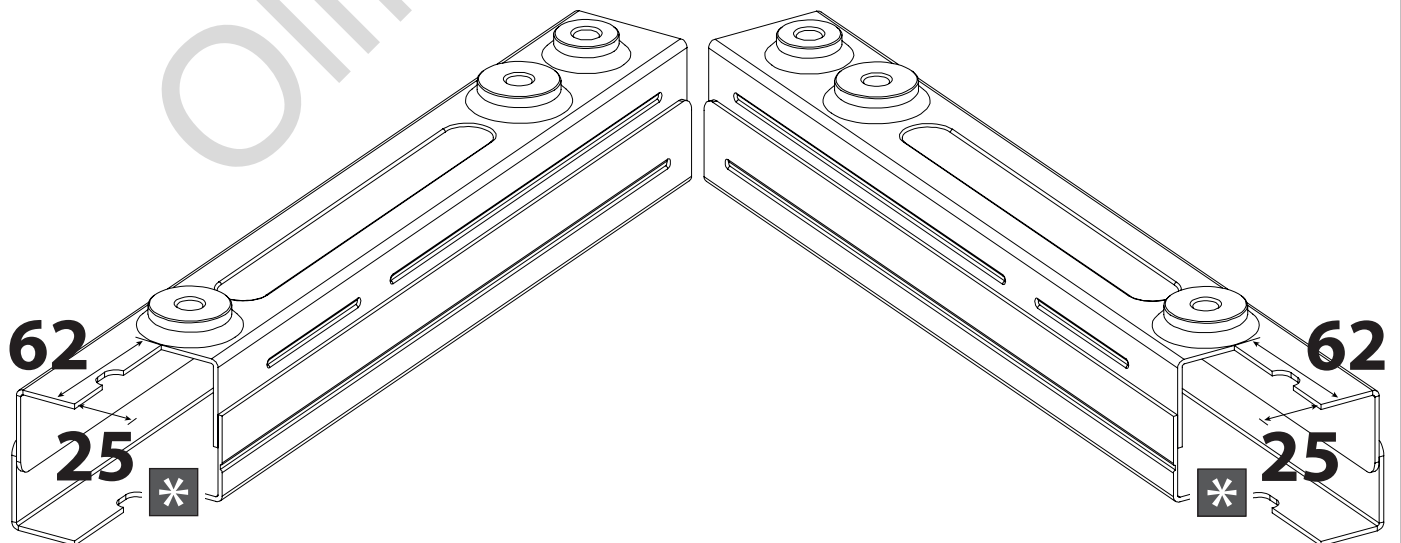
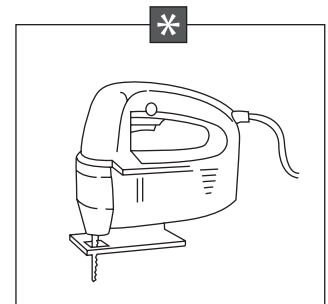






**ONLY FOR  
(PLUG-IN)  
HYBRID**

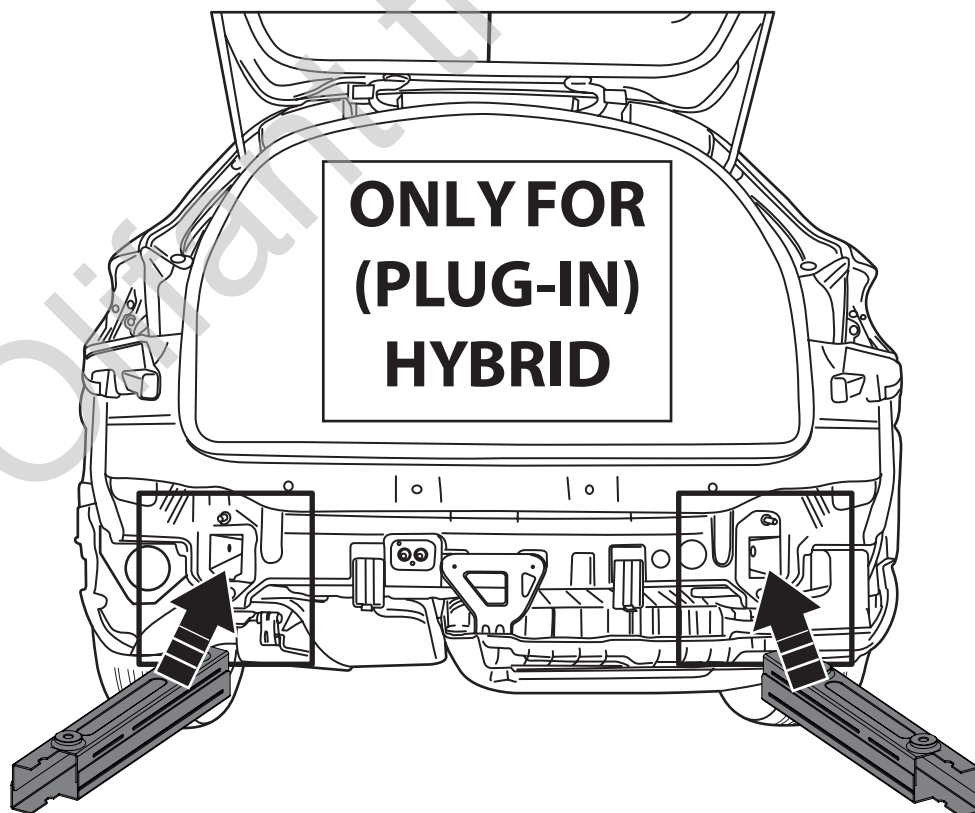
**OPTION 1**

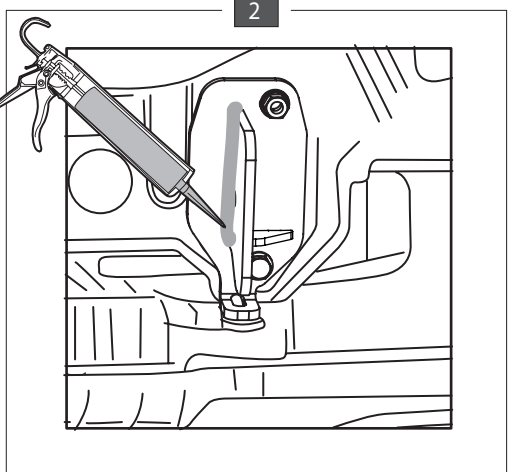
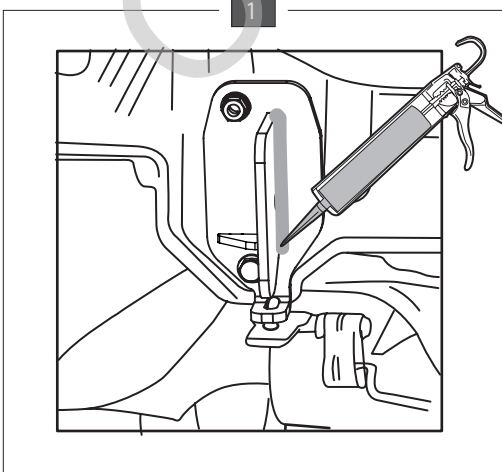
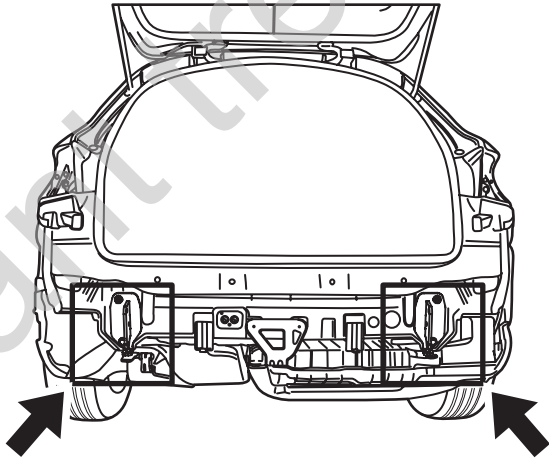
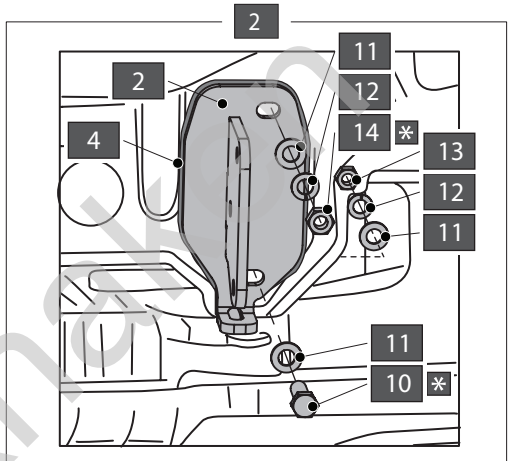
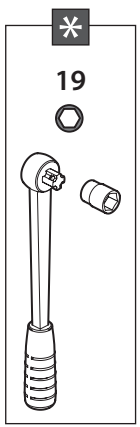
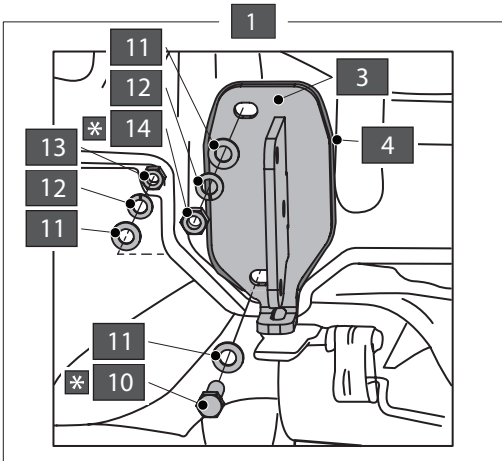
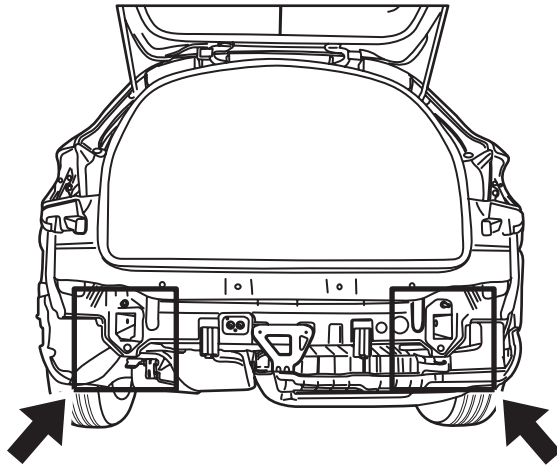


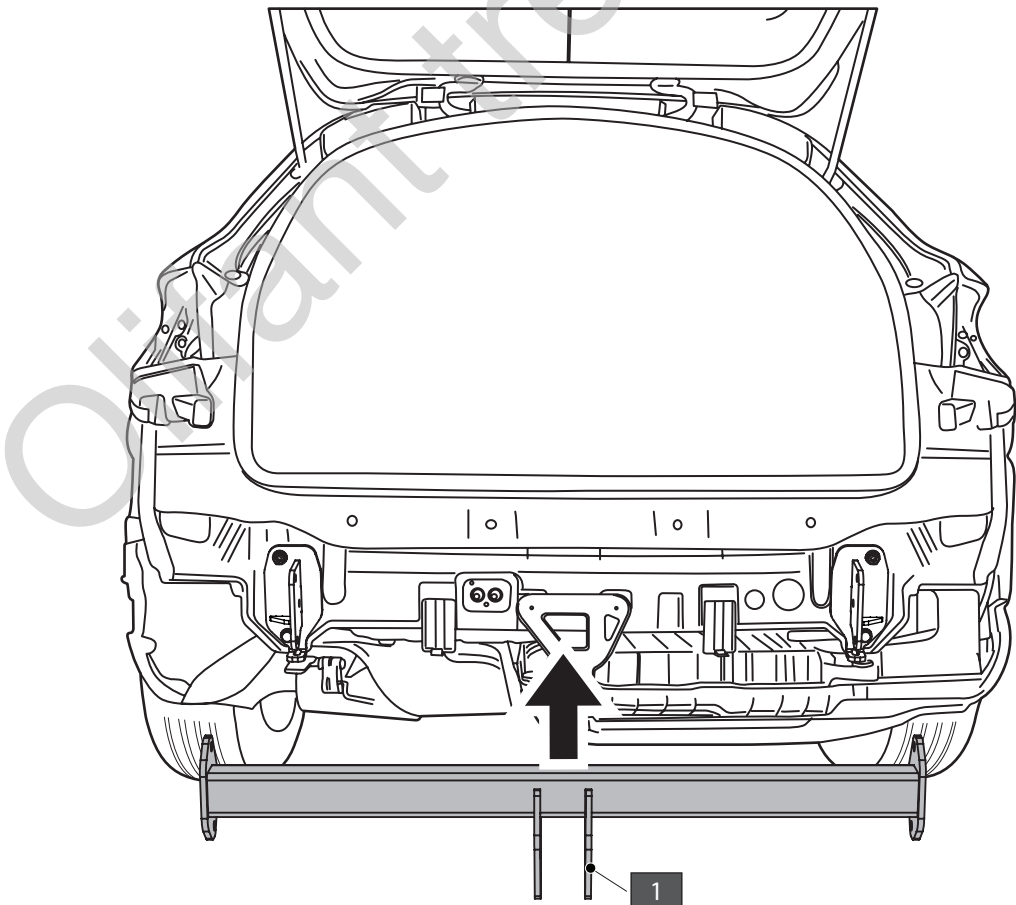
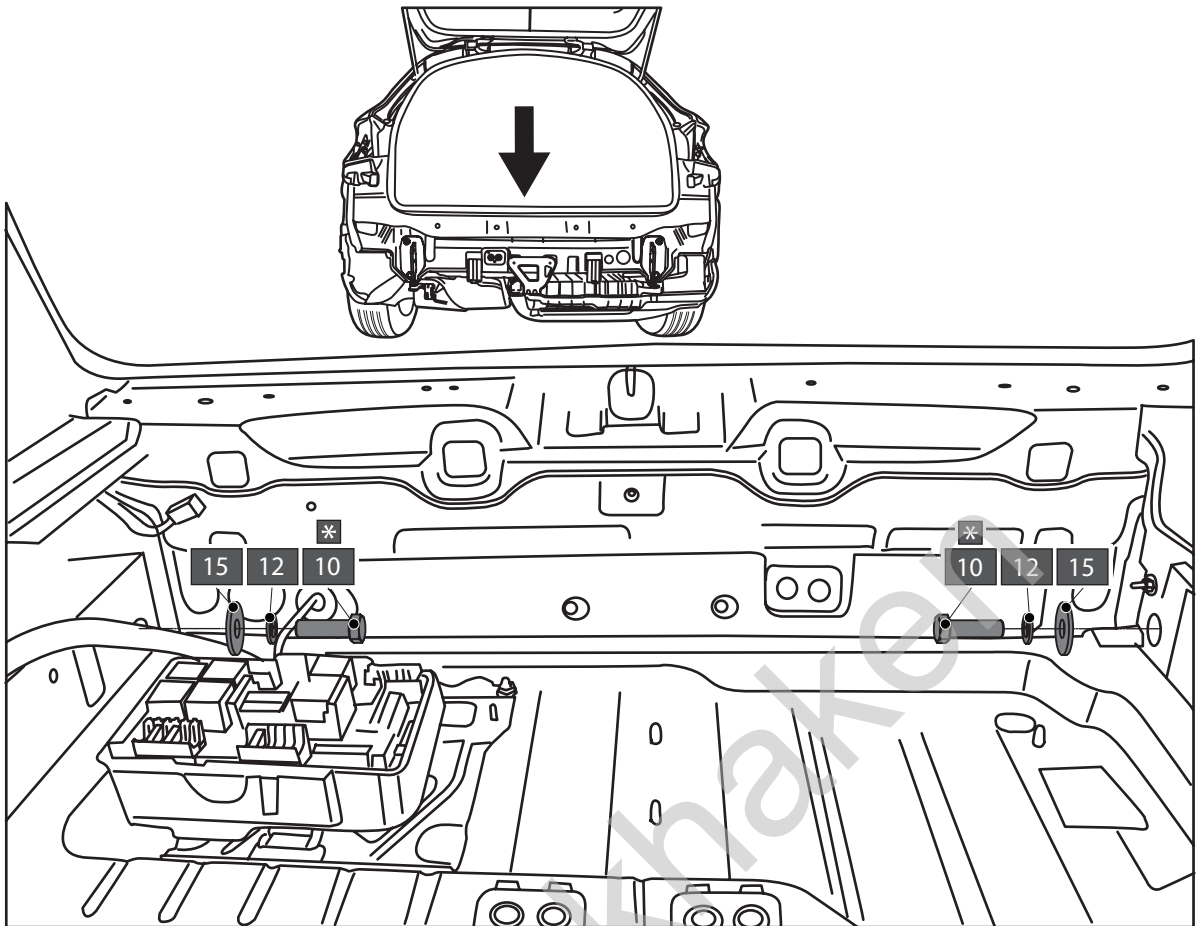
**ONLY FOR  
(PLUG-IN)  
HYBRID**

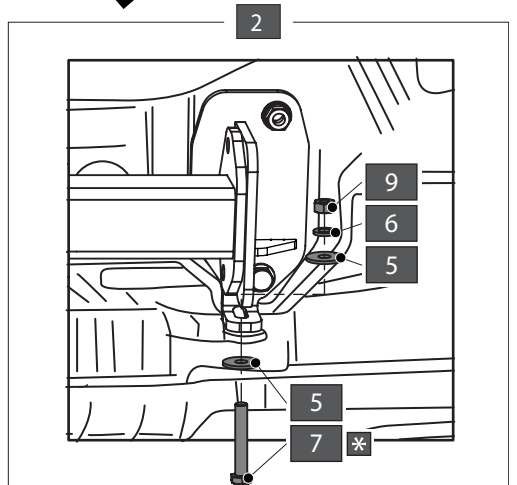
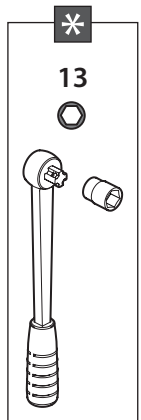
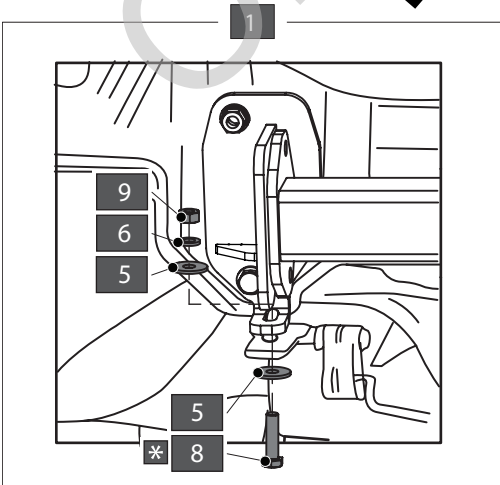
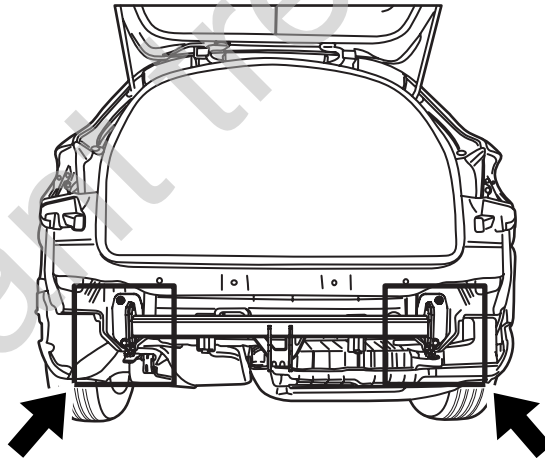
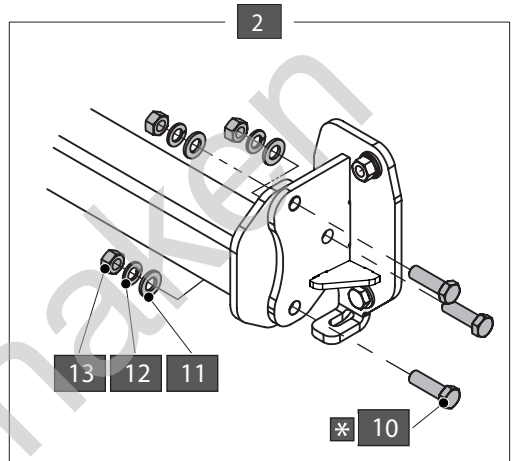
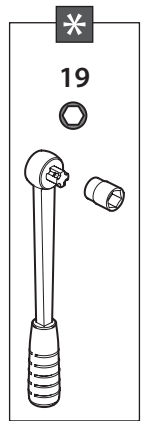
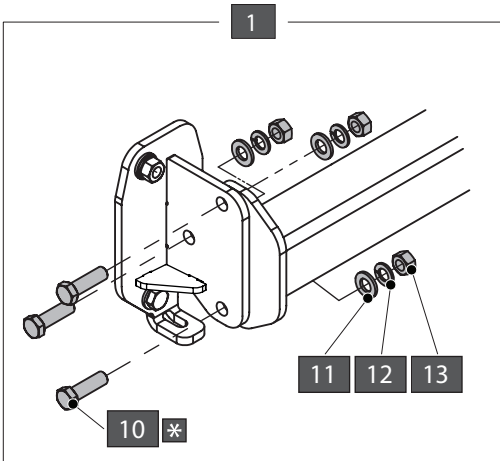
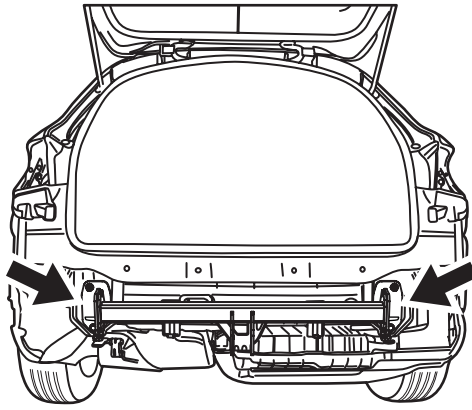
**OPTION 2**

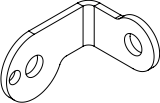




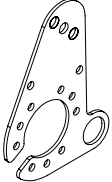
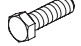
ORDER ADAPTED PARTS  
FROM MERCEDES DEALER  
LEFT PART: **A 253 610 6700**  
RIGHT PART: **A 253 610 6800**

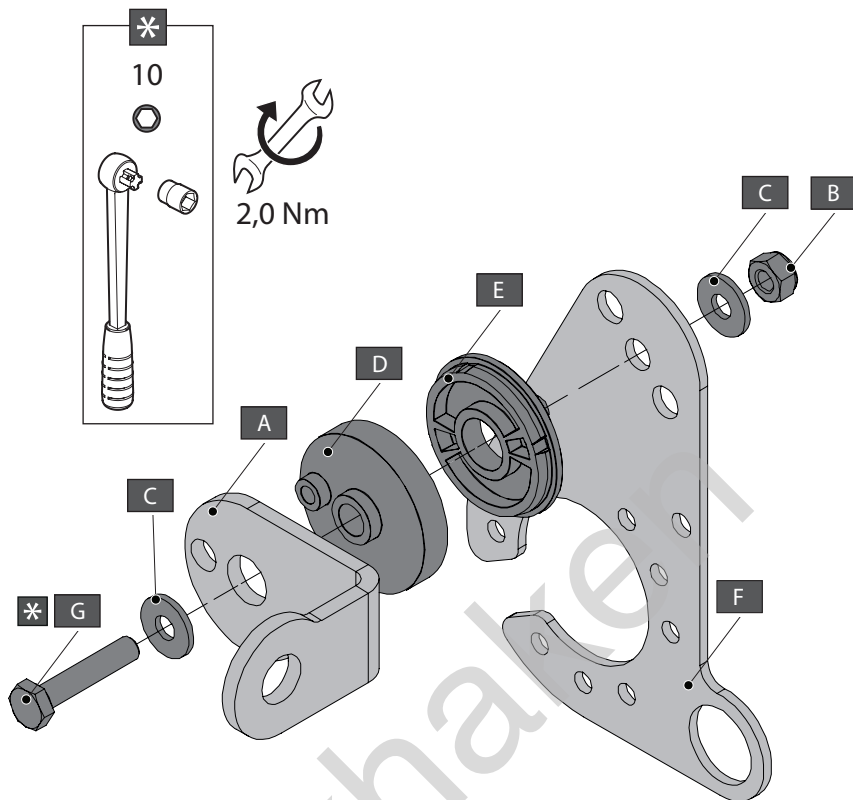


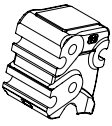



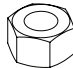


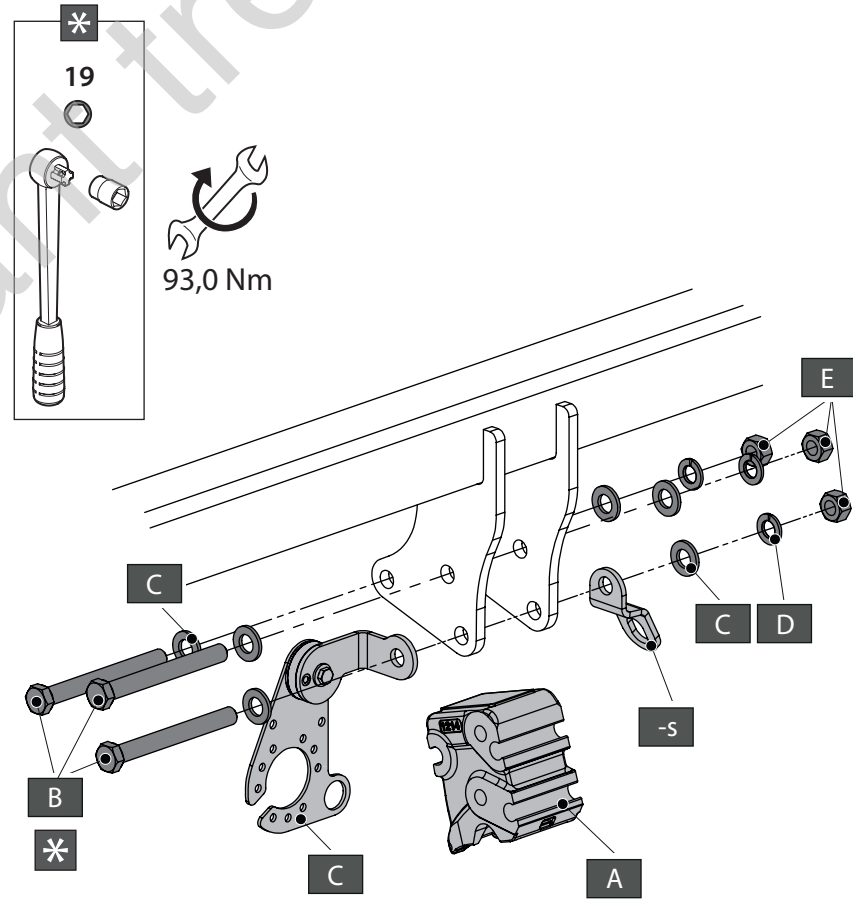




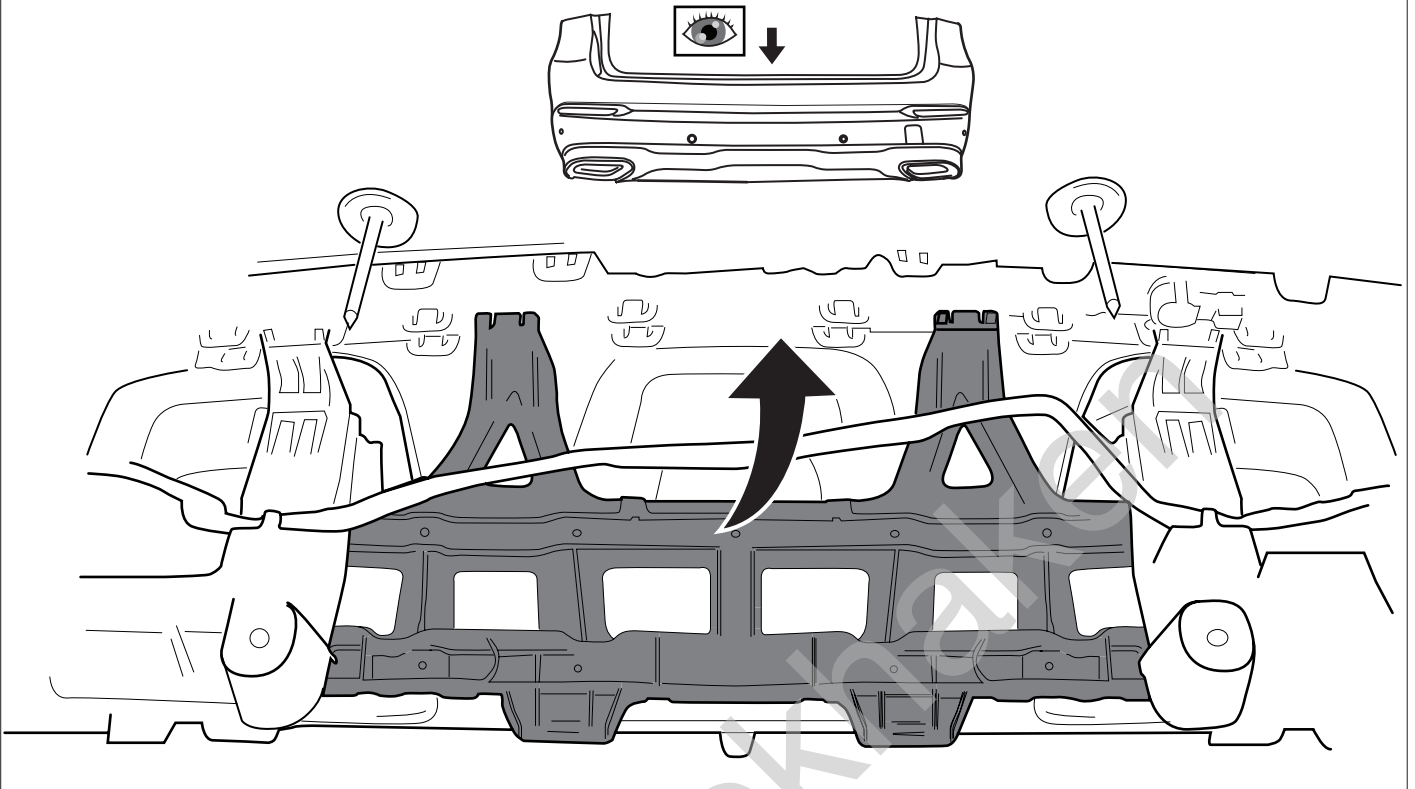
A		X1	GDW REF. 908.096
B		X1	DIN985-M6
C		X2	6,2 X 15,4 X 1,6 (NYLON)
D		X1	GDW REF. 718.16.002
E		X1	GDW REF. 718.16.003
F		X1	GDW REF. 908.094
G		X1	DIN933-M6 X 30



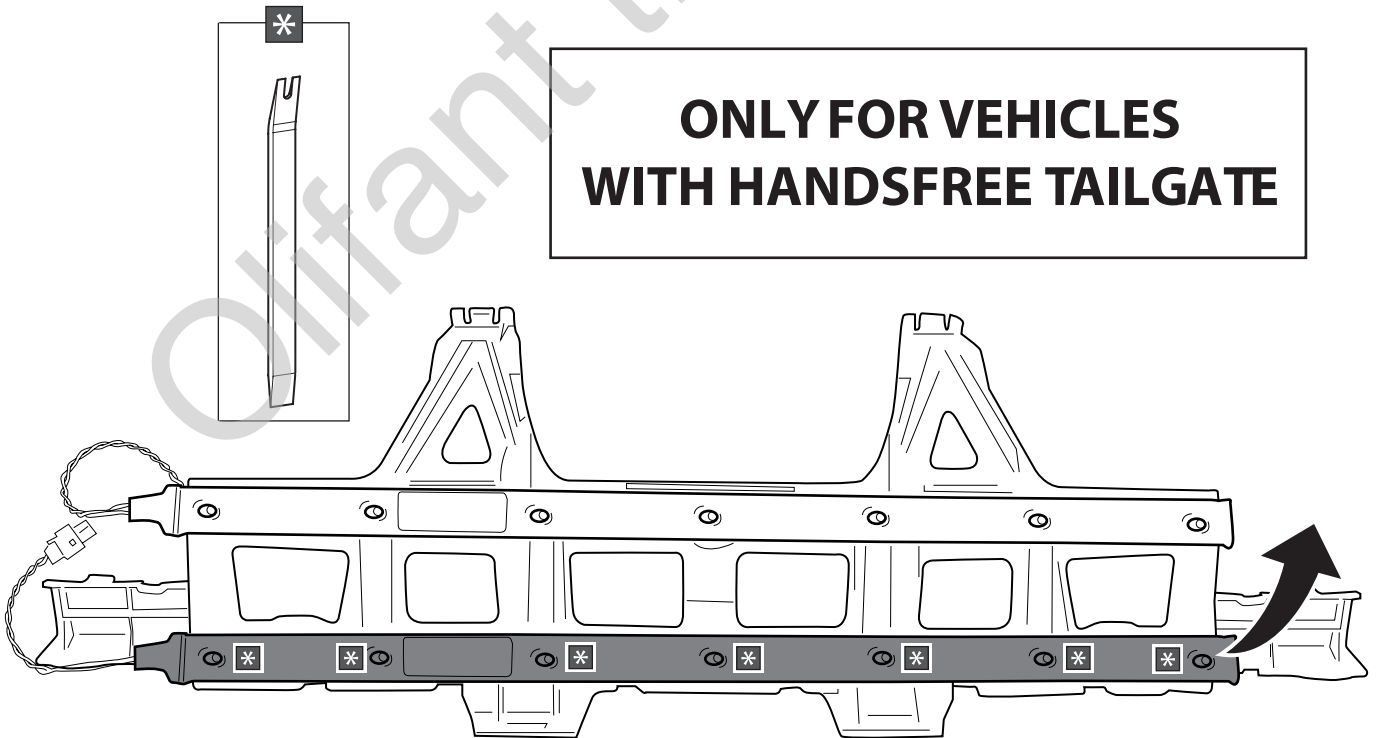
A		X1	912.003
B		X3	DIN931-M12X110
C		X6	DIN125A-M12
D		X3	DIN128A-M12
E		X3	DIN934-M12



**ONLY FOR VEHICLES WITH HANDSFREE TAILGATE**

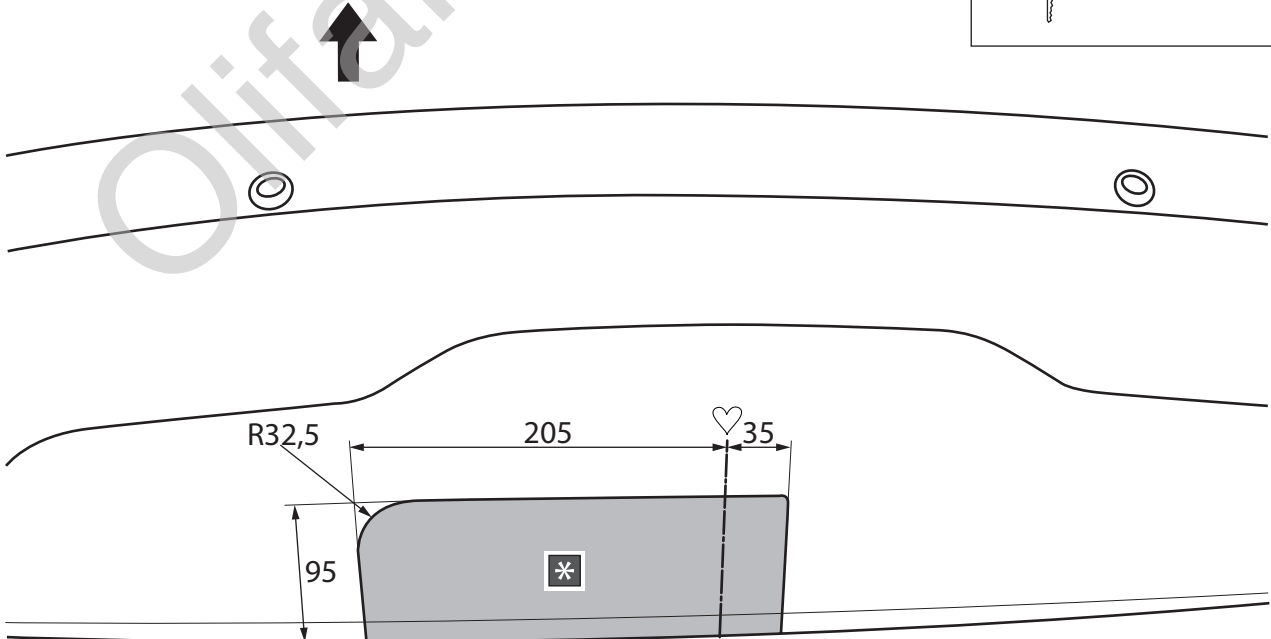
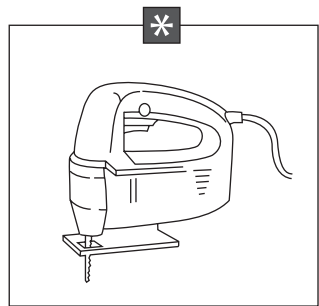
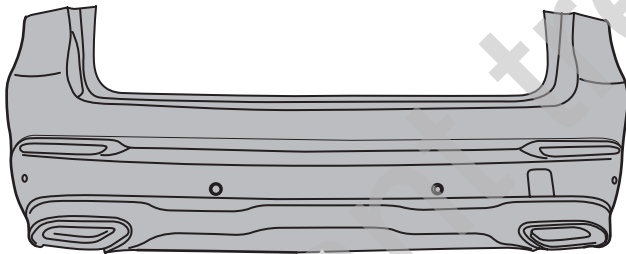
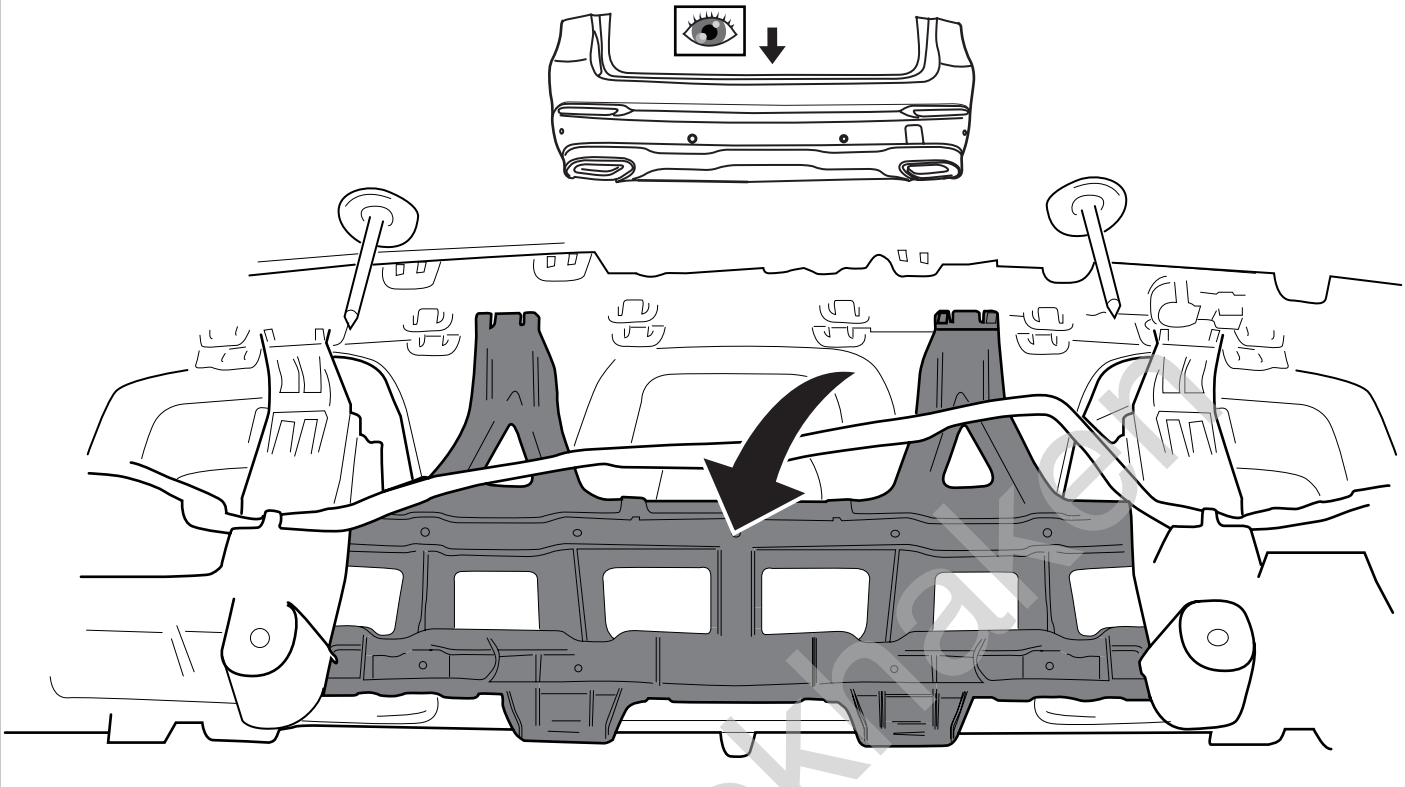


**ONLY FOR VEHICLES WITH HANDSFREE TAILGATE**





# ONLY FOR VEHICLES WITH HANDSFREE TAILGATE



AMG-Line

