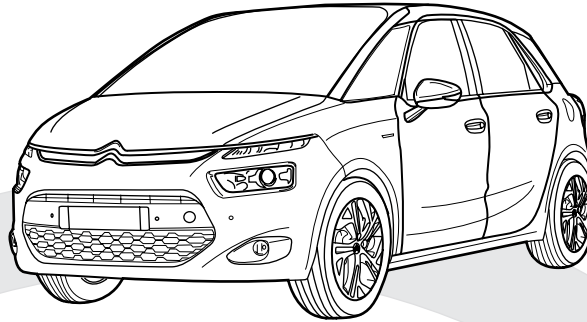




TREKHAKEN • ATTELAGES • ANHÄNGERVORRICHTUNGEN • TOWBARS • ENHANCES • ANHÆNGERTRÆK
Montagehandleiding | instructions de montage | Einbauanleitung | Mounting instruction
Instrucciones de montaje | monteringsvejledning

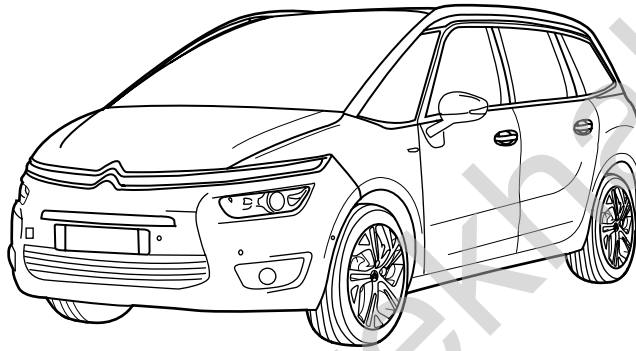
Citroën C4 Picasso

'13-



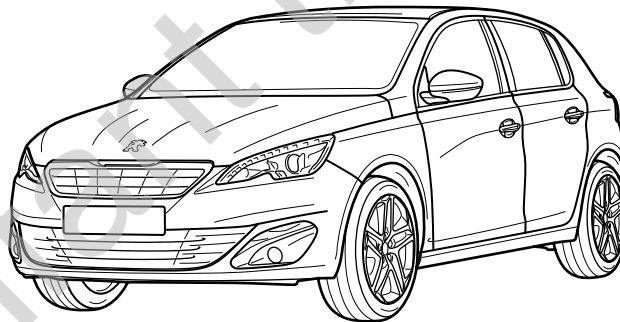
Citroën C4 Grand Picasso

'13-



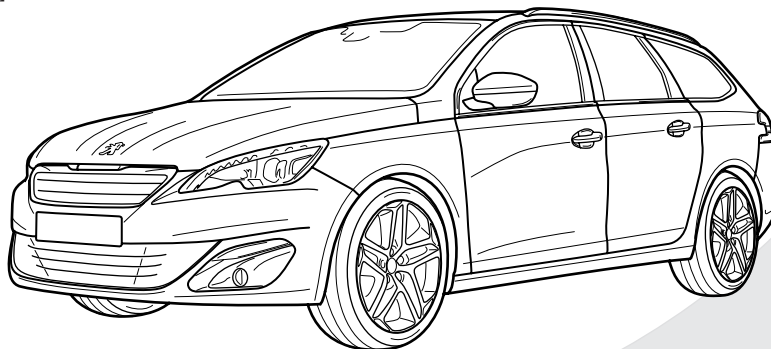
Peugeot 308

'13-




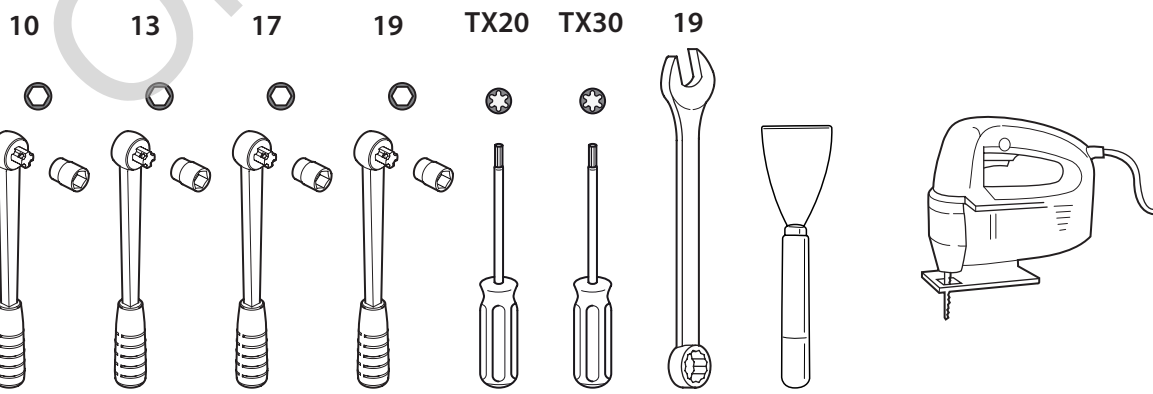
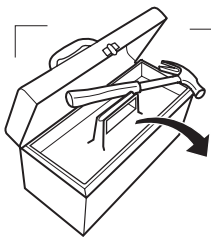
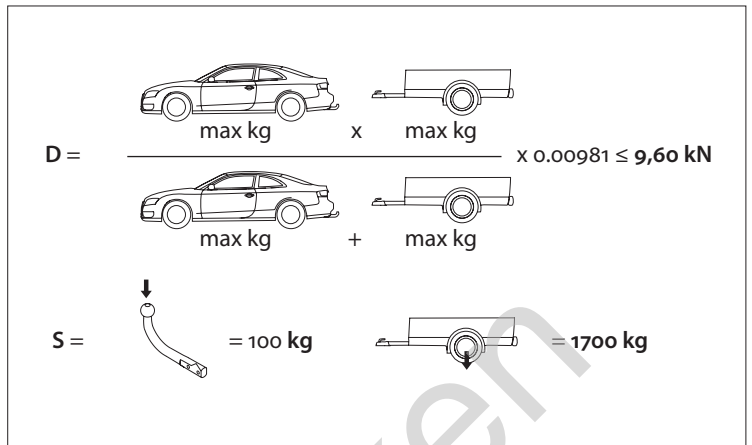
Peugeot 308 SW

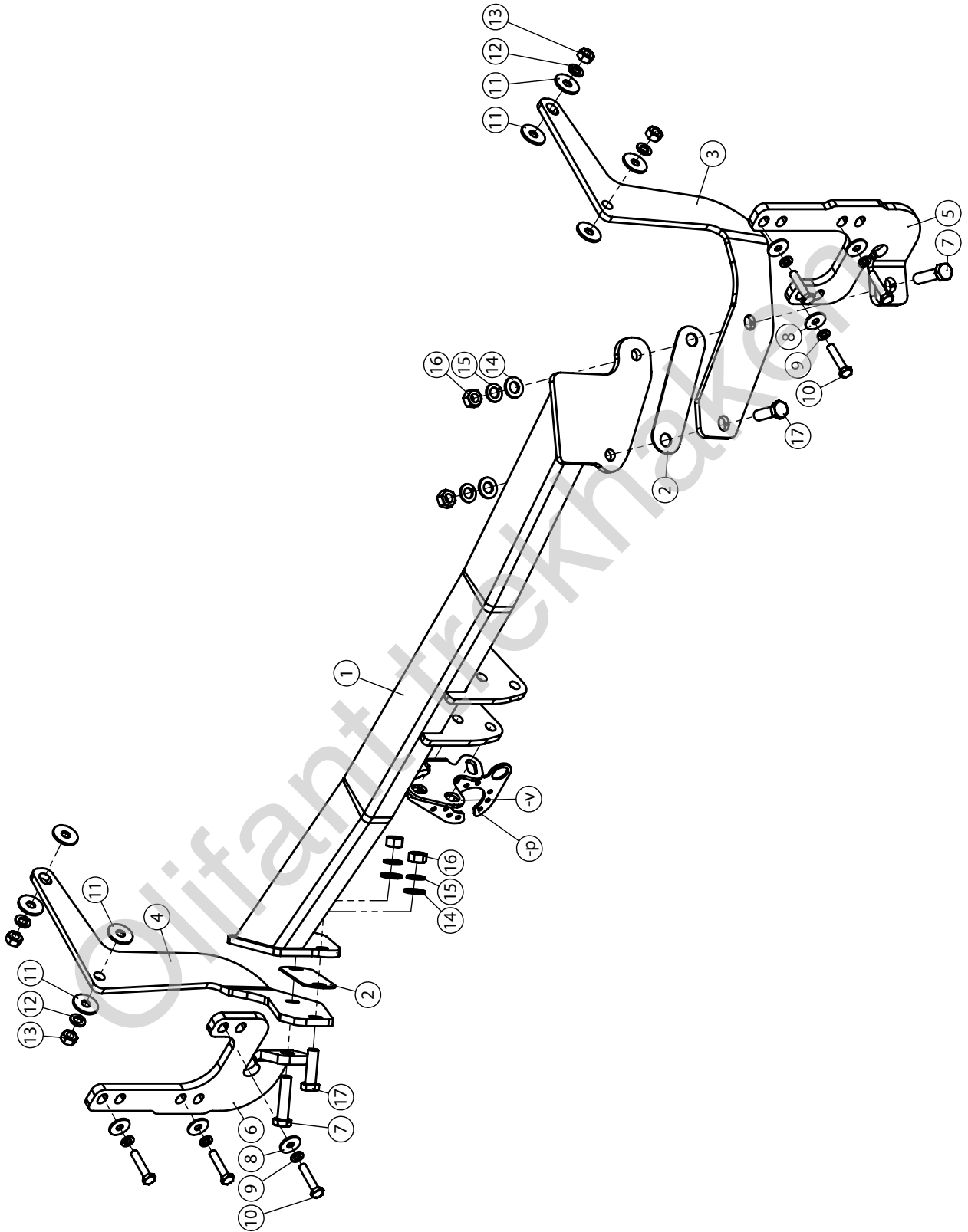
'13-

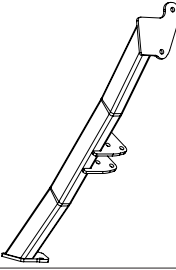
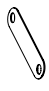
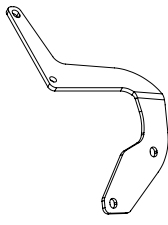
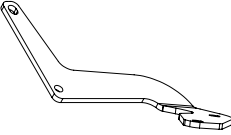

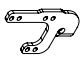


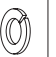









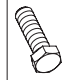
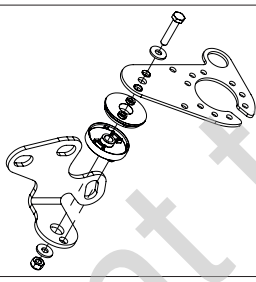
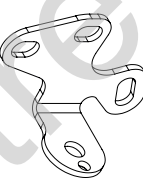

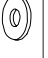

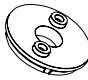
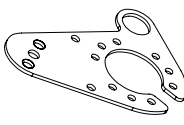

See the Certificate Of Conformity (COC) of your vehicle or contact your dealer to verify the max. trailer weight of your car!

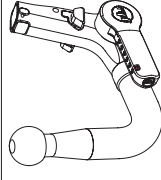

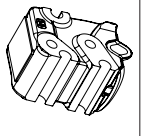


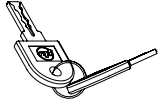

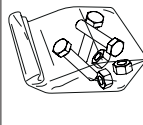



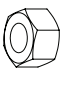
MADE BY	D 9,60	F	E6
			
BELGIUM	S 100	55R-011332	
REF N°	SERIE N°		
2174T60			
OMSCHRIJVING			
Citroën C4 Picasso '13- Citroën C4 Grand Picasso '13- Peugeot 308 + 308 SW '13-			





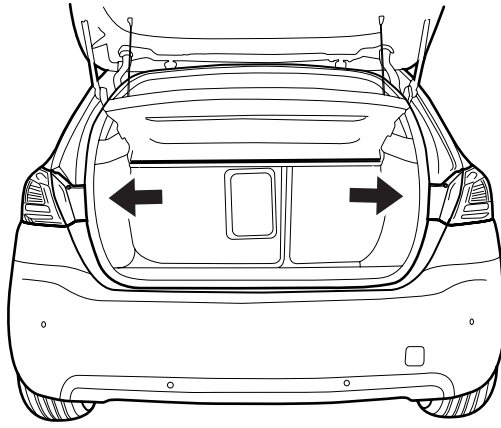
1		X1	GDW REF. 2174T60
2		X2	GDW REF. 7
3		X1	GDW REF. 3
4		X1	GDW REF. 4
5		X1	GDW REF. 5
6		X1	GDW REF. 6
7		X2	DIN931-M12X50
8		X6	DIN9021-M8-ELVZ
9		X6	DIN128A-M8
10		X6	DIN933-M8X40
11		X8	DIN9021-M10-ELVZ
12		X4	DIN128A-M10

13		X4	DIN934-M10
14		X4	DIN125-A12-ELVZ
15		X4	DIN128A-M12
16		X4	DIN934-M12
17		X2	DIN933-M12X40
-P		X1	GDW REF. P34
↓		X1	GDW REF. 908.090
↓		X1	DIN985-M6
↓		X2	6,2 X 15,4 X 1,6 (NYLON)
↓		X1	GDW REF. 718.16.002
↓		X1	GDW REF. 718.16.003
↓		X1	GDW REF. 908.094
↓		X1	DIN933-M6 X 30

<p>Geleverd met - Livré avec - Delivered with Gellefert mit - Elementos adjuntos-Leveres med</p>		X1	GDW REF. 960.V1012	
	↓		X1	GDW REF. 740.200
	↓		X1	GDW REF. 912.003
	↓		X1	GDW REF. 740.112
	↓		X1	GDW REF. 740.111
	↓		X1	GDW REF. 740.114
	↓		X1	GDW REF. 718.15.001
	↓		X1	GDW REF. SYST60-10
	↓		X3	DIN931-M12X110-8.8
	↓		X3	DIN128A-M12
	↓		X6	DIN125A-M12
	↓		X3	DIN934-M12

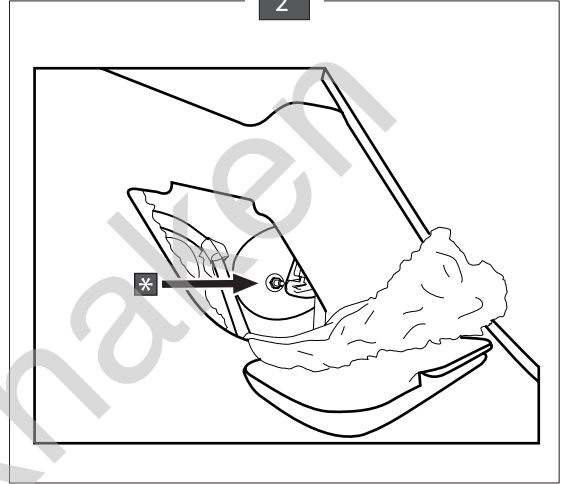
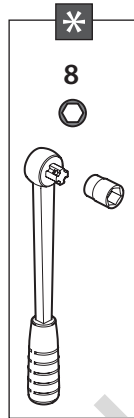
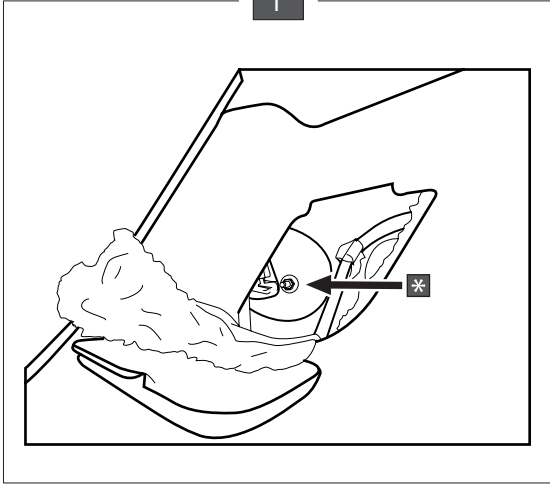
1

PEUGEOT 308 '13-



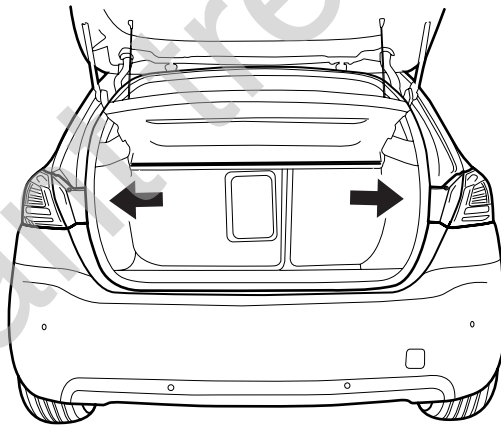
1

2



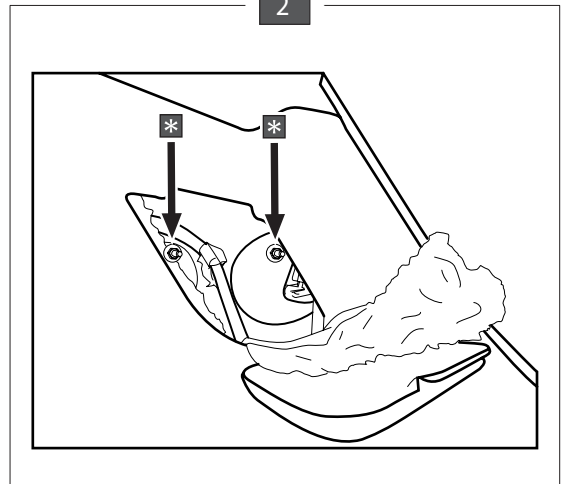
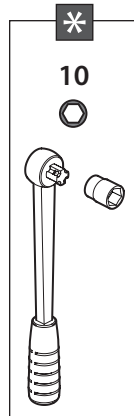
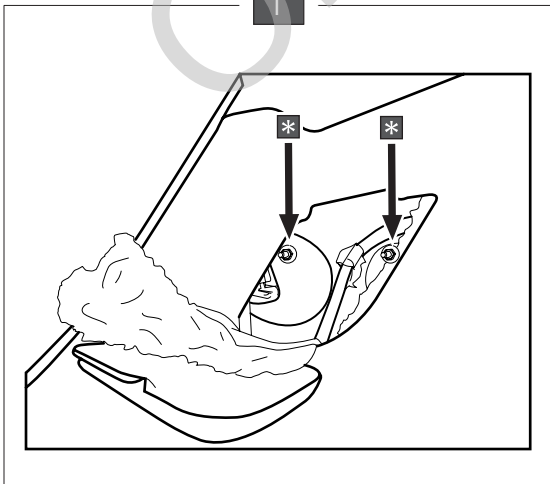
2

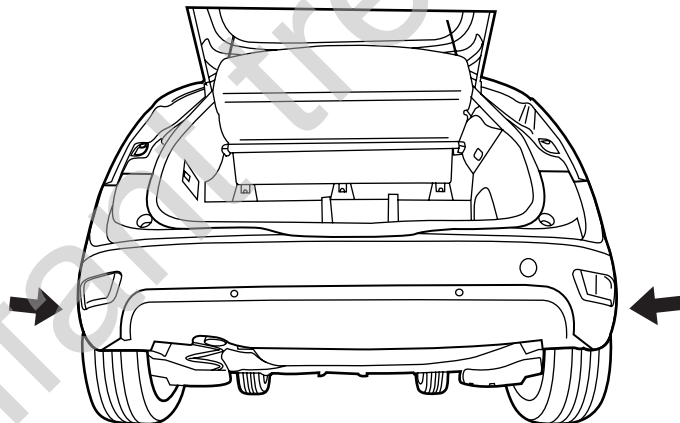
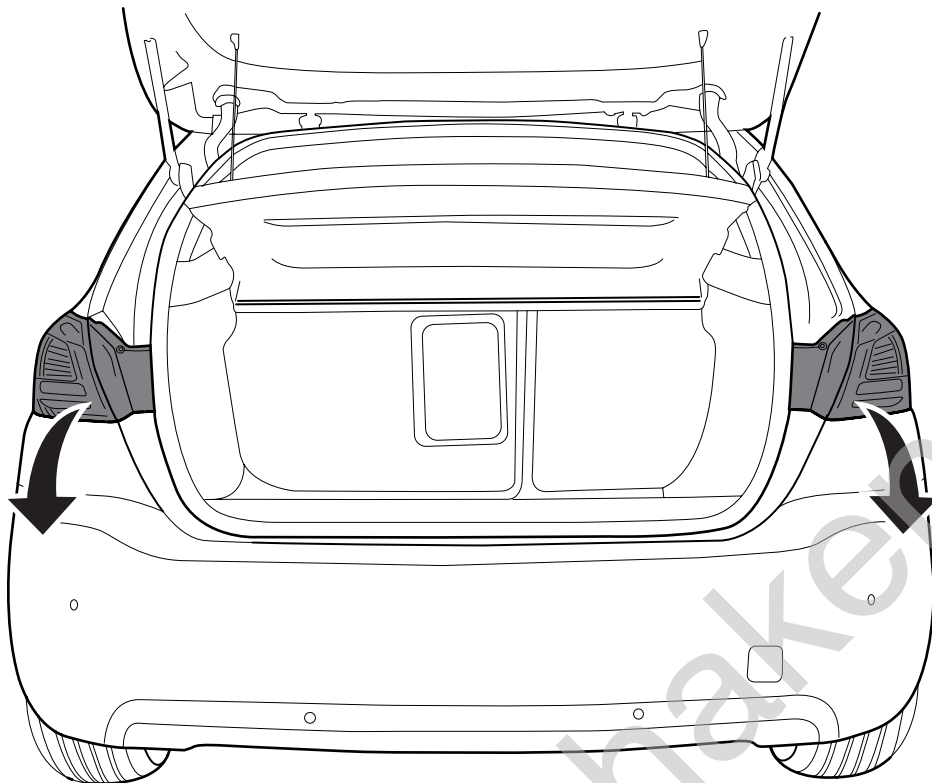
PEUGEOT 308 **SW** '13-



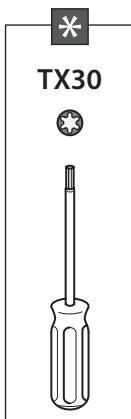
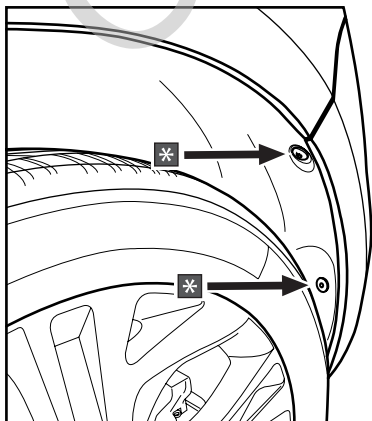
1

2

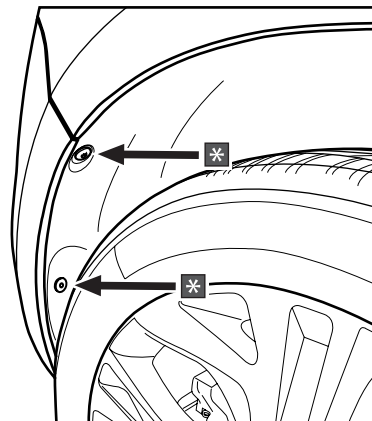




1



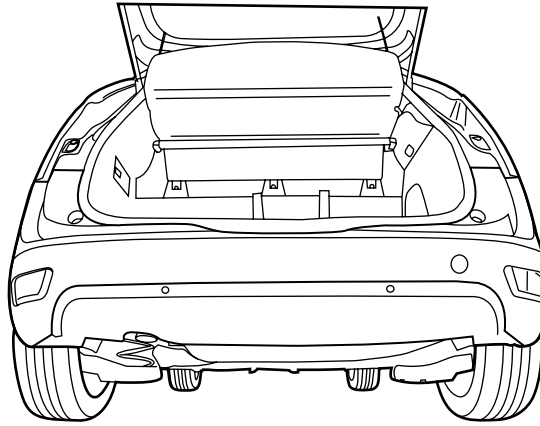
2



5

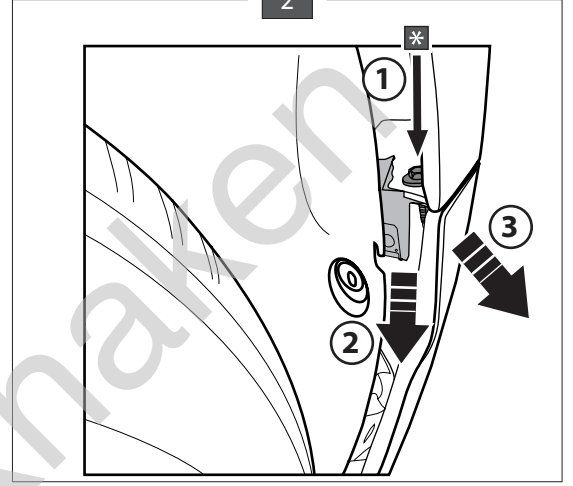
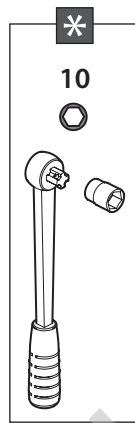
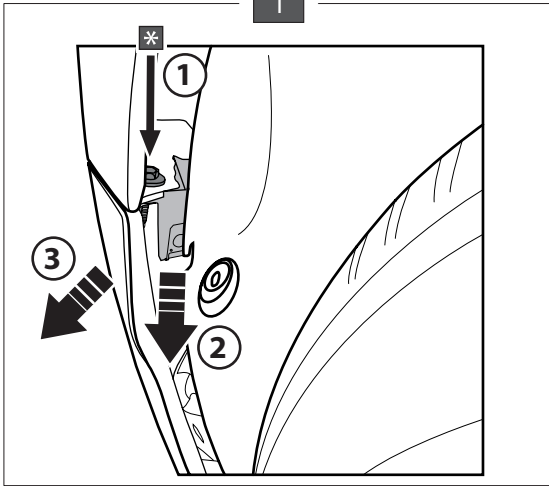
UNLOCK THE DRAWER

UNLOCK THE DRAWER



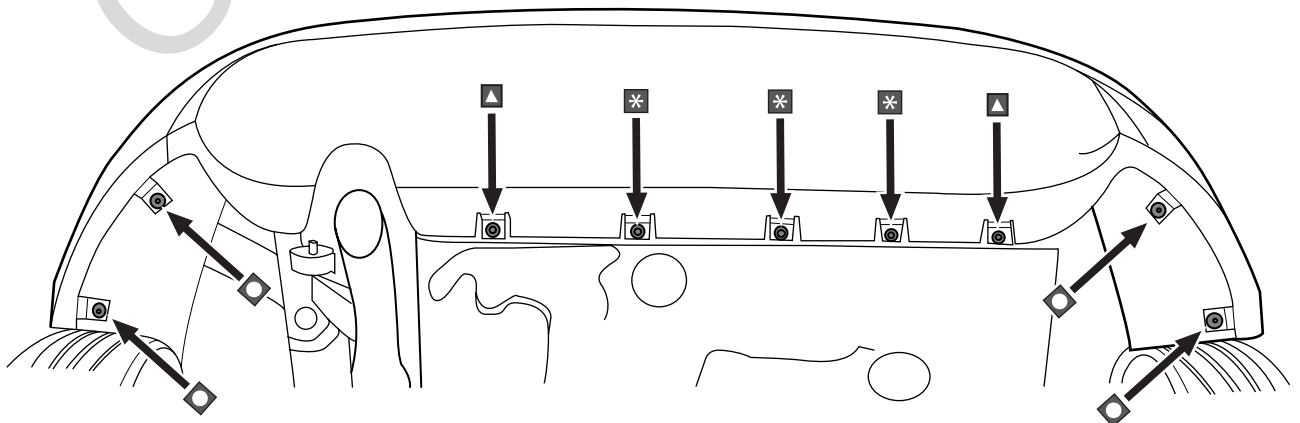
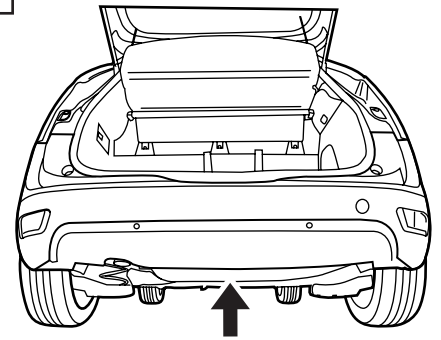
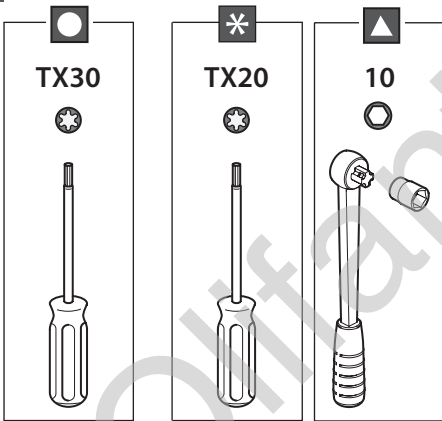
1

2



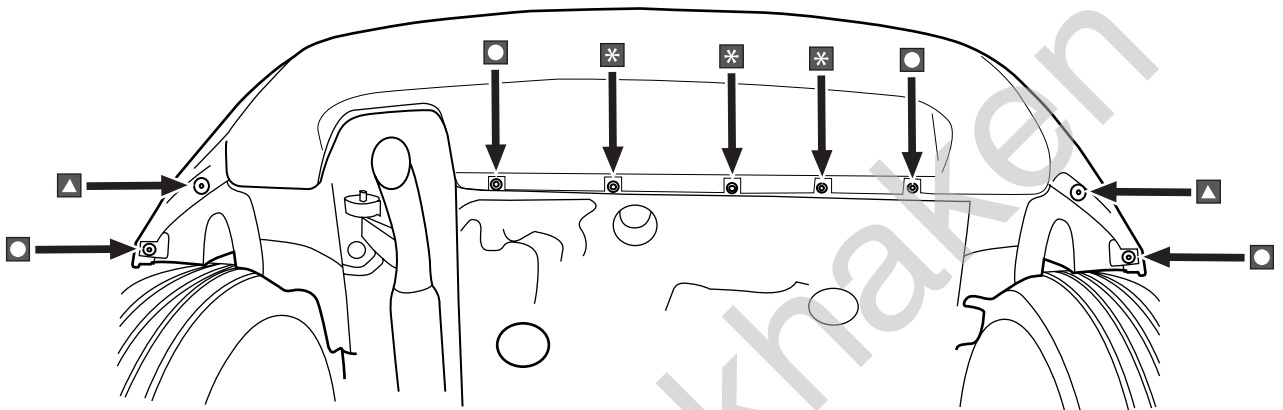
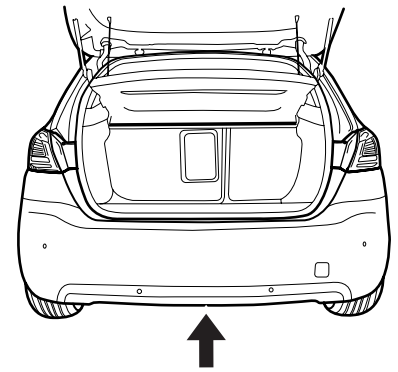
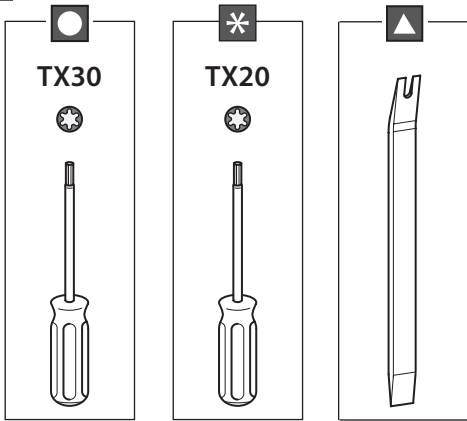
6

Citroën C4 Picasso 13
Citroën C4 Grand Picasso '13



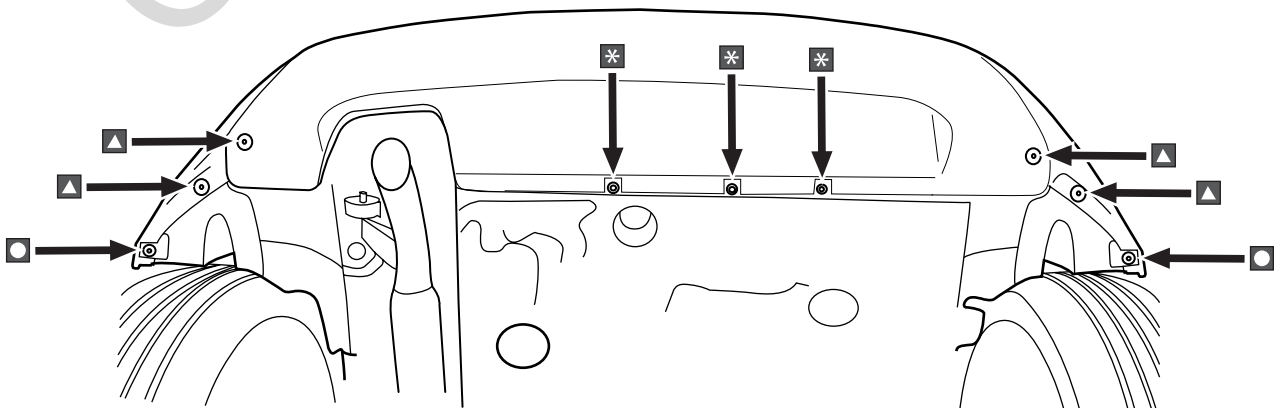
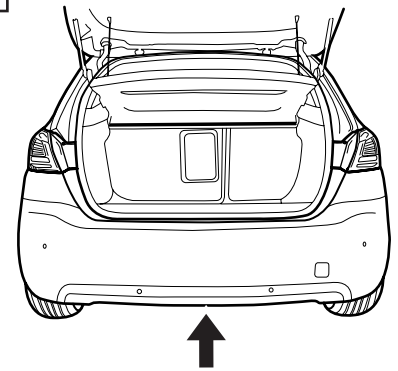
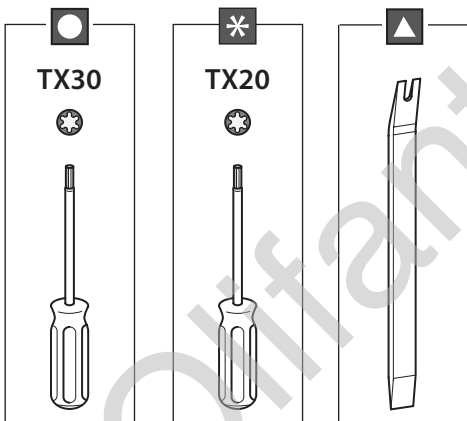
7

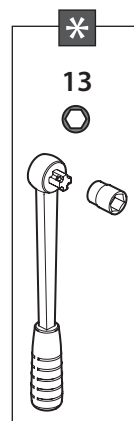
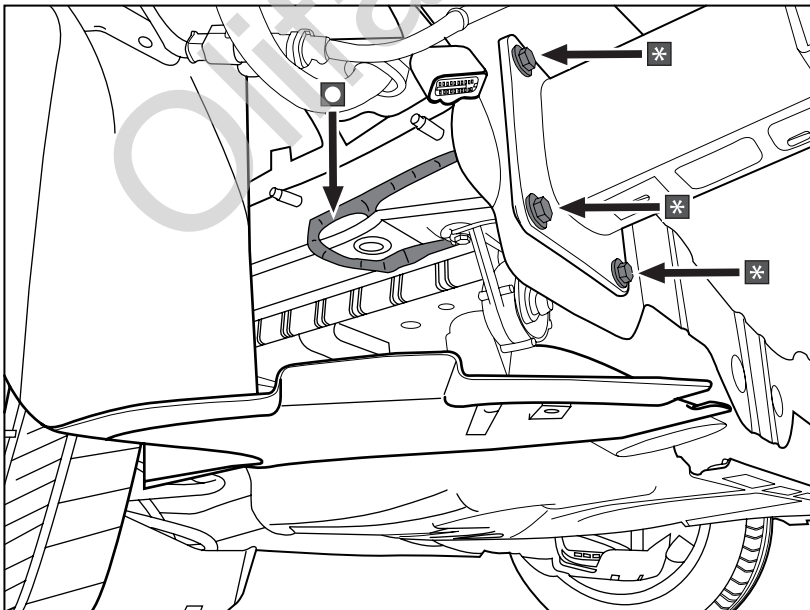
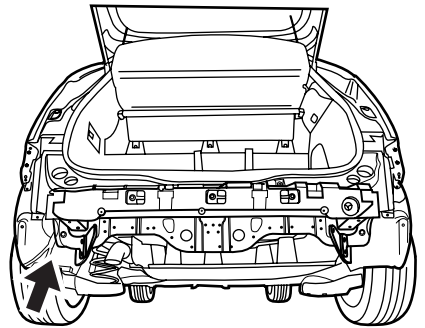
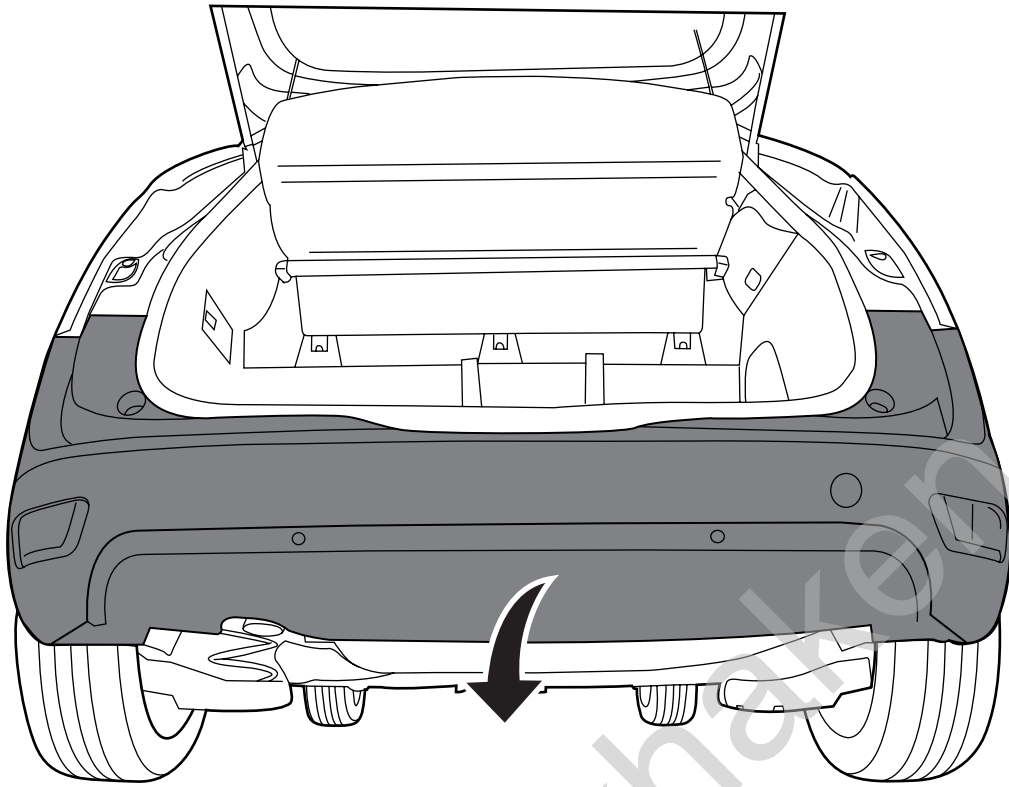
Peugeot 308 '13



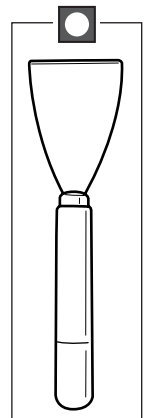
8

PEUGEOT 308 SW '13-

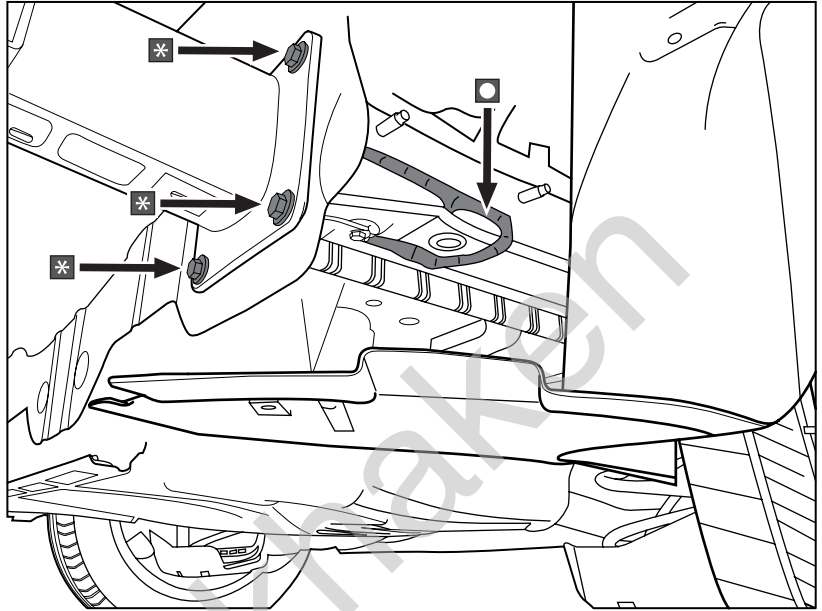
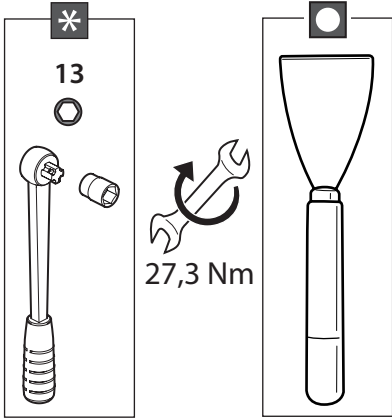
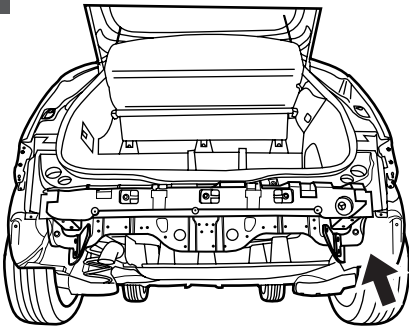




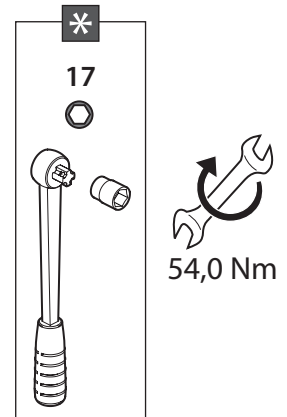
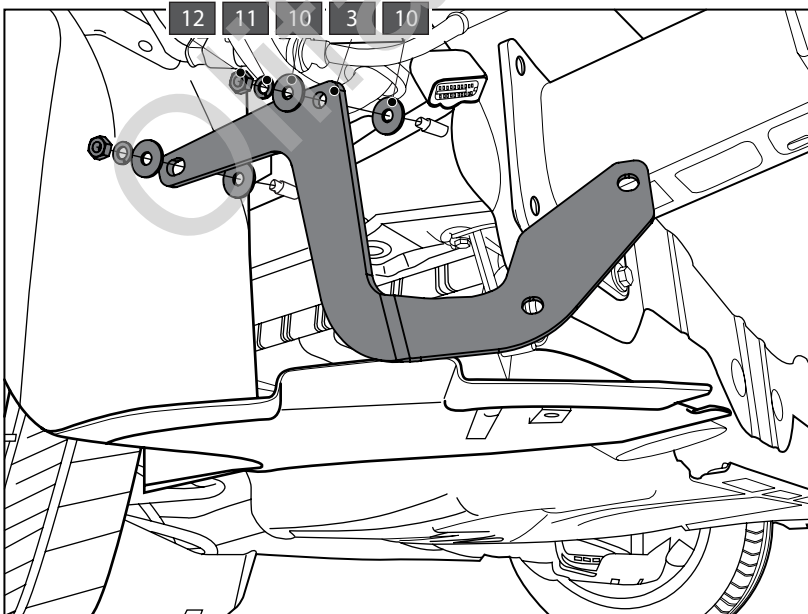
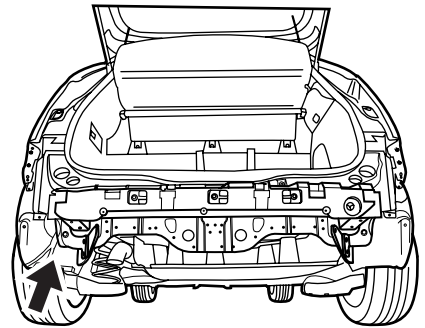
27,3 Nm



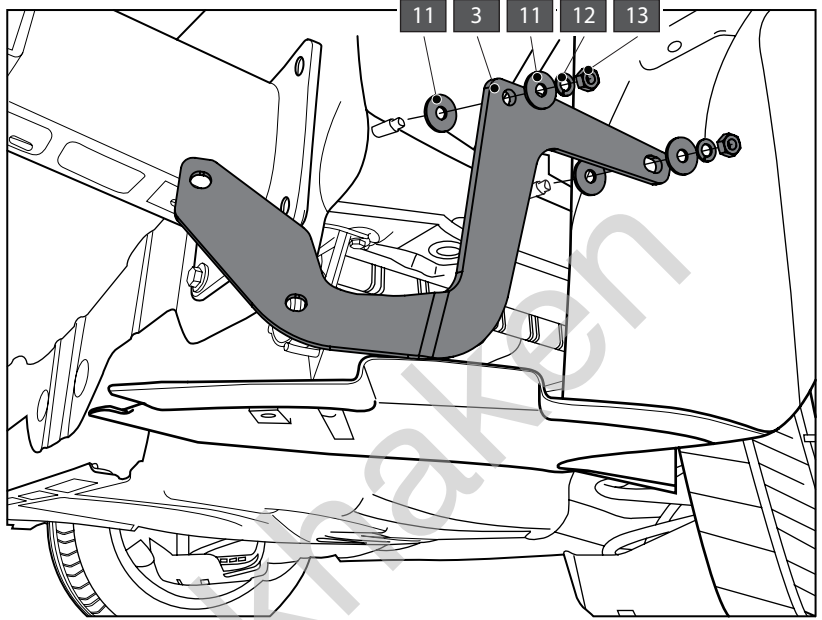
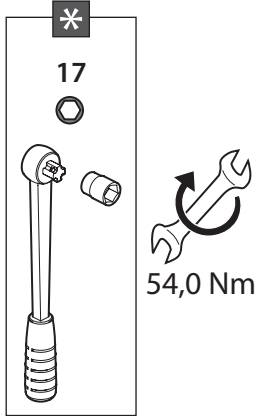
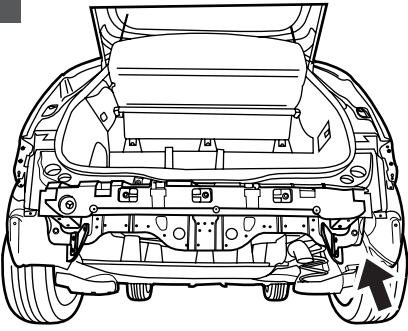
11



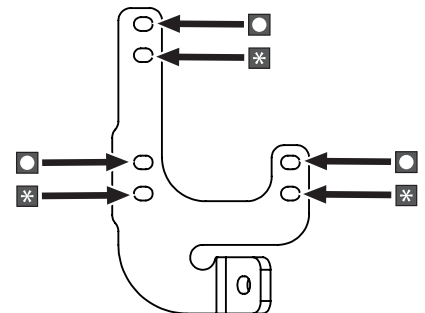
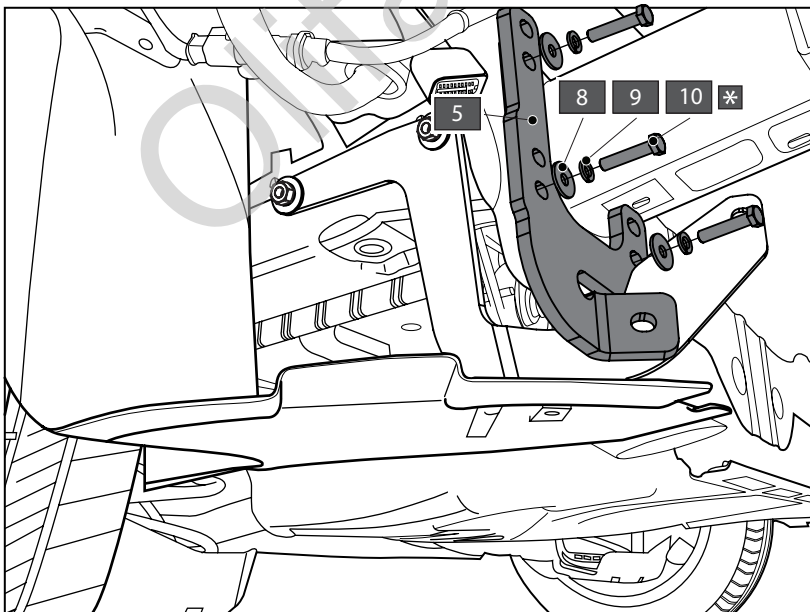
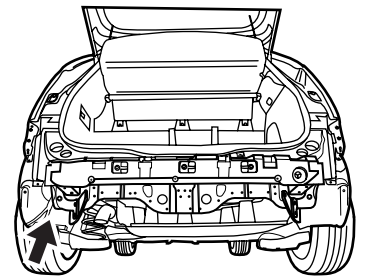
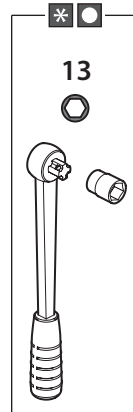
12



13

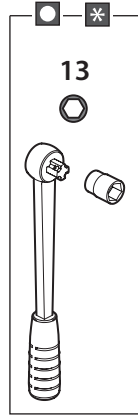
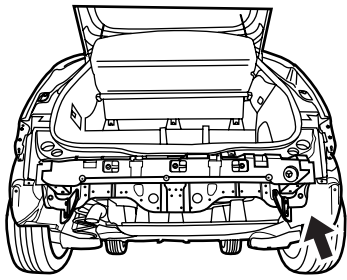


14

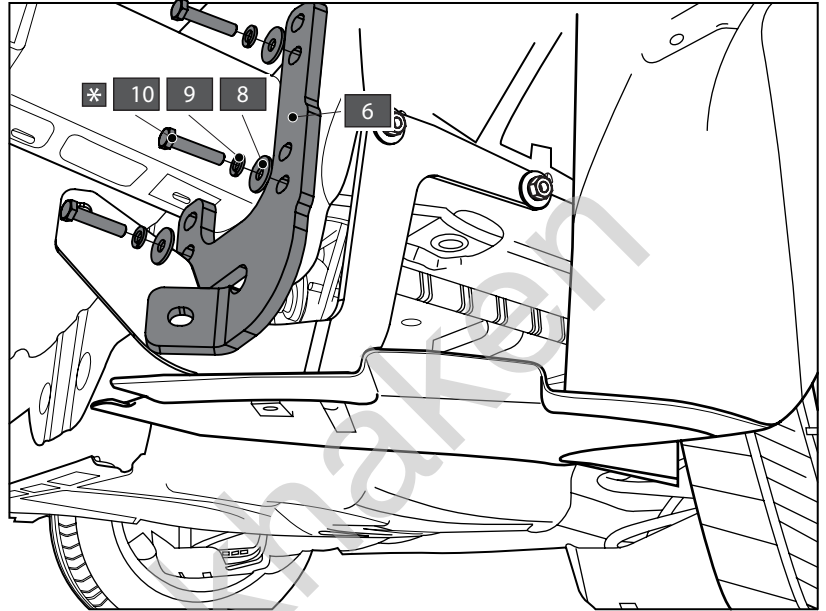
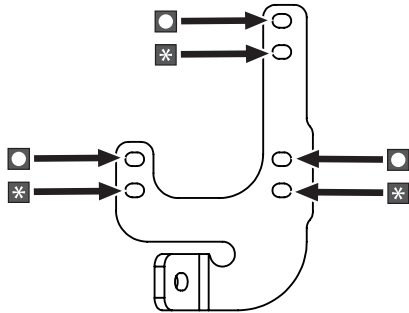


- * Citroën C4 (Grand) Picasso / Peugeot 308 SW
- Peugeot 308

15

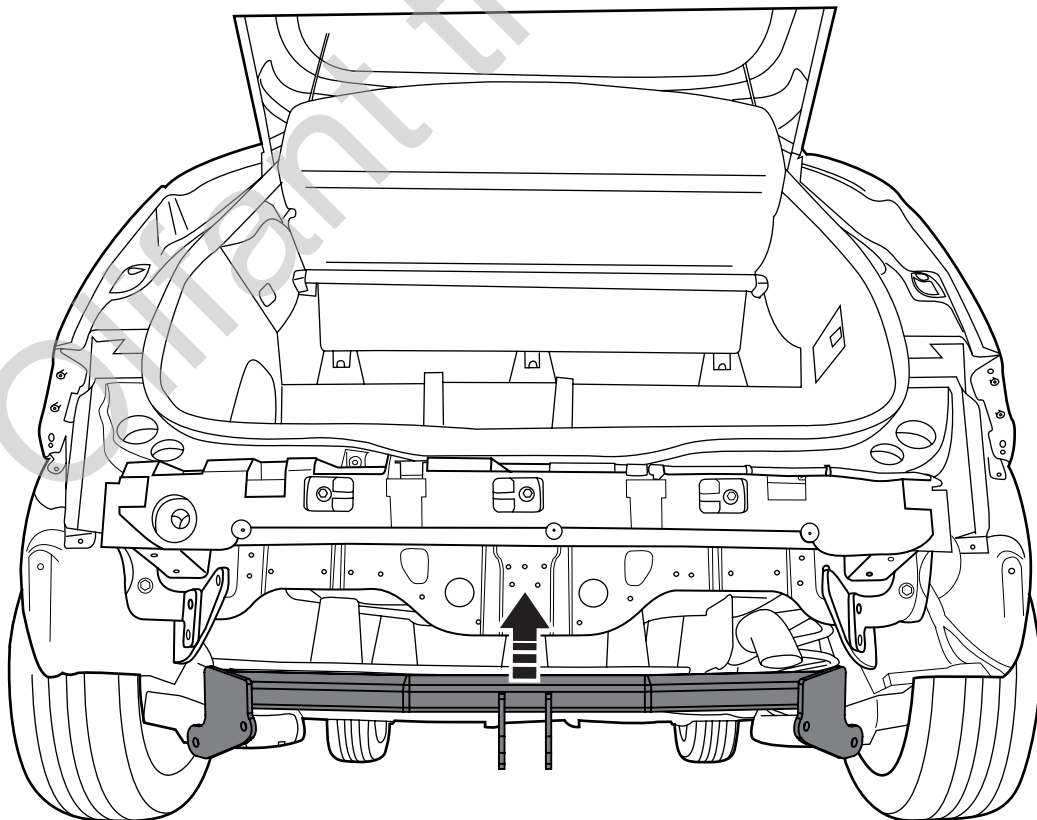


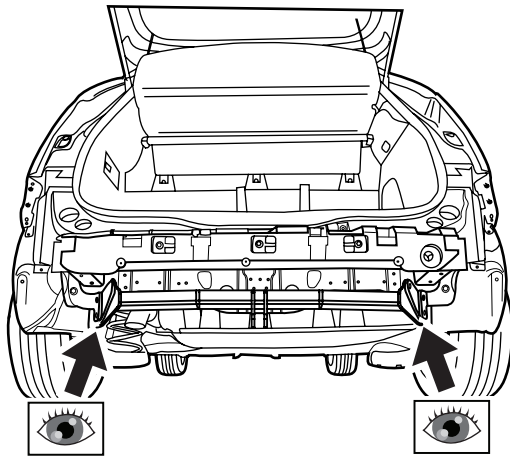
27,3 Nm



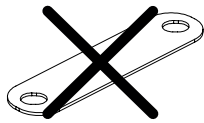
- * Citroën C4 (Grand) Picasso / Peugeot 308 SW
- Peugeot 308

16

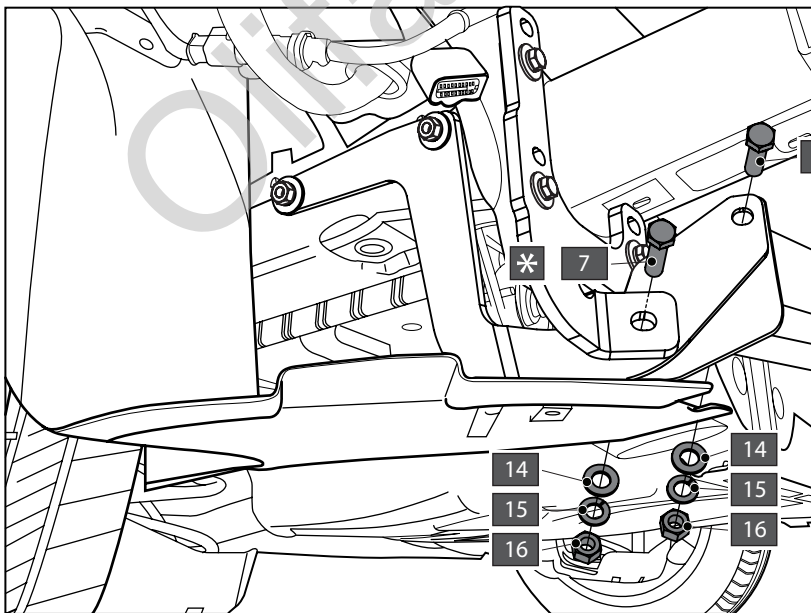
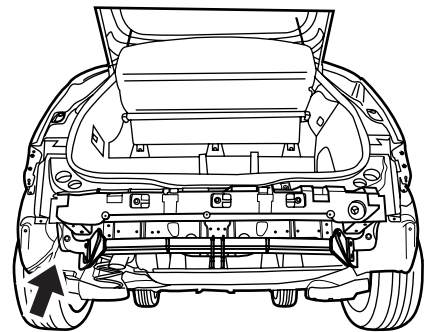
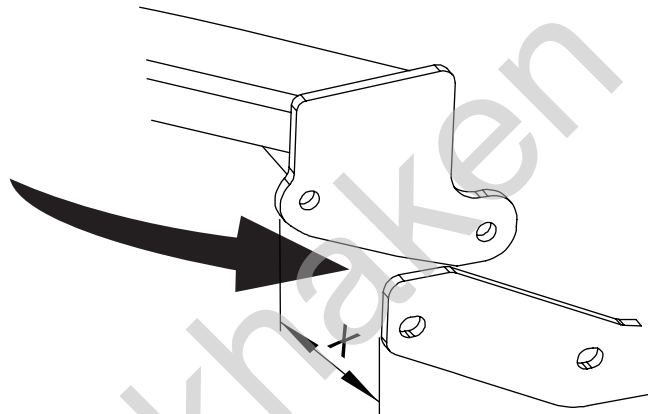
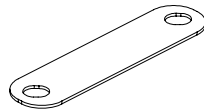




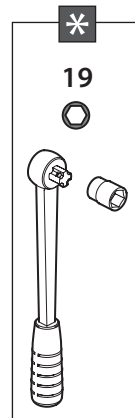
X < 2 mm

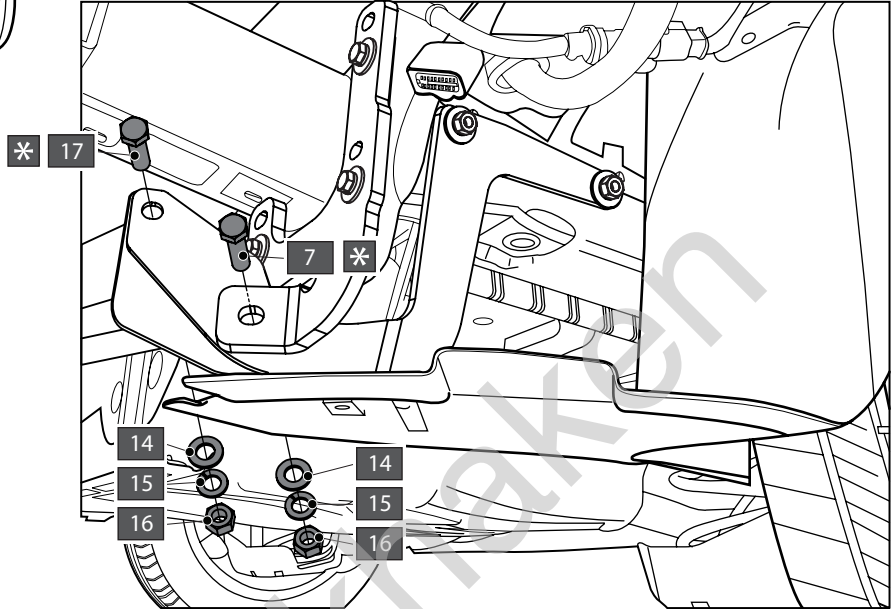
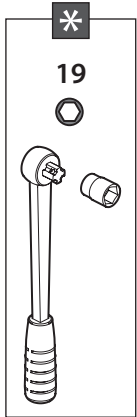
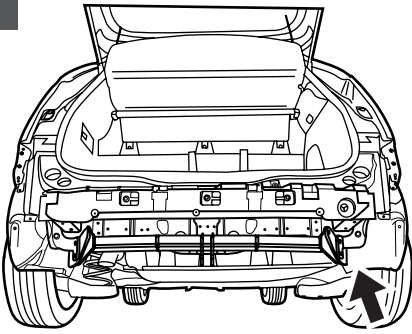


X > 2 mm

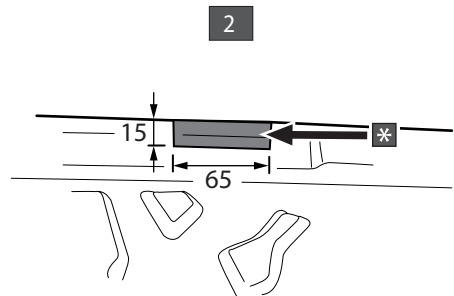
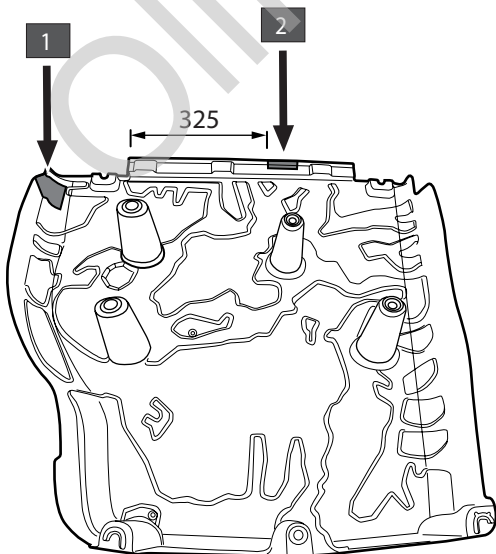
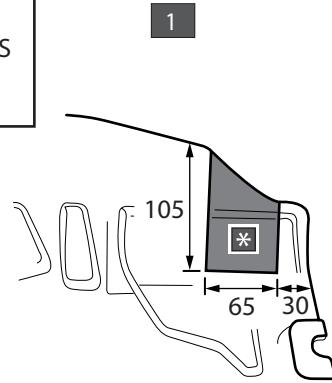


17 *

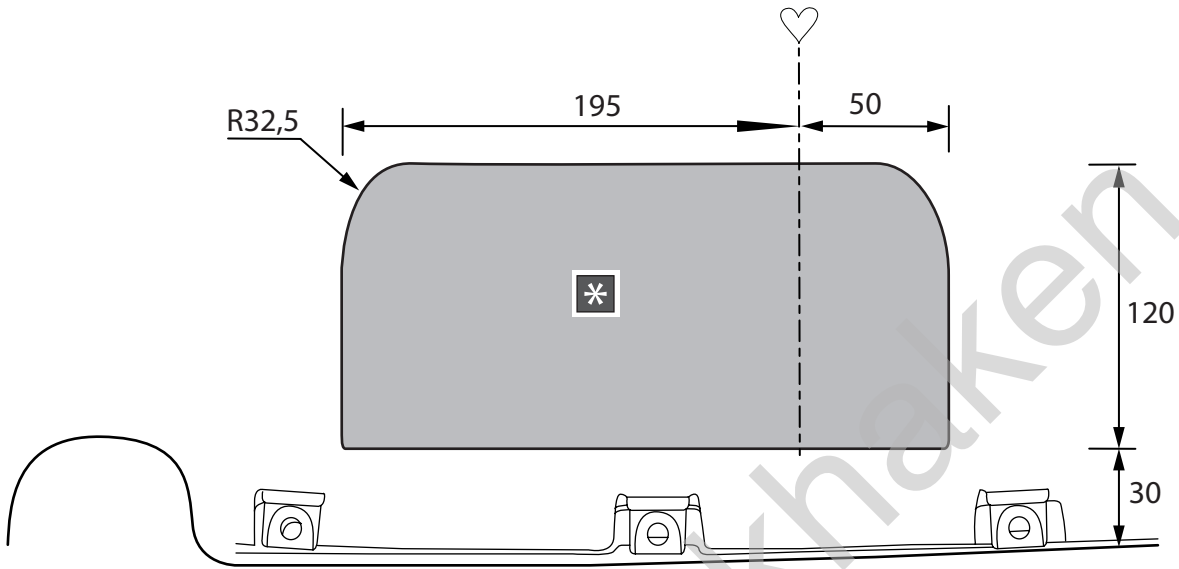
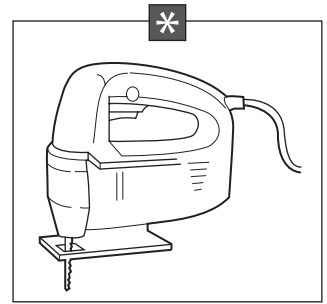
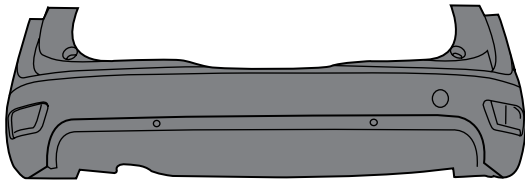




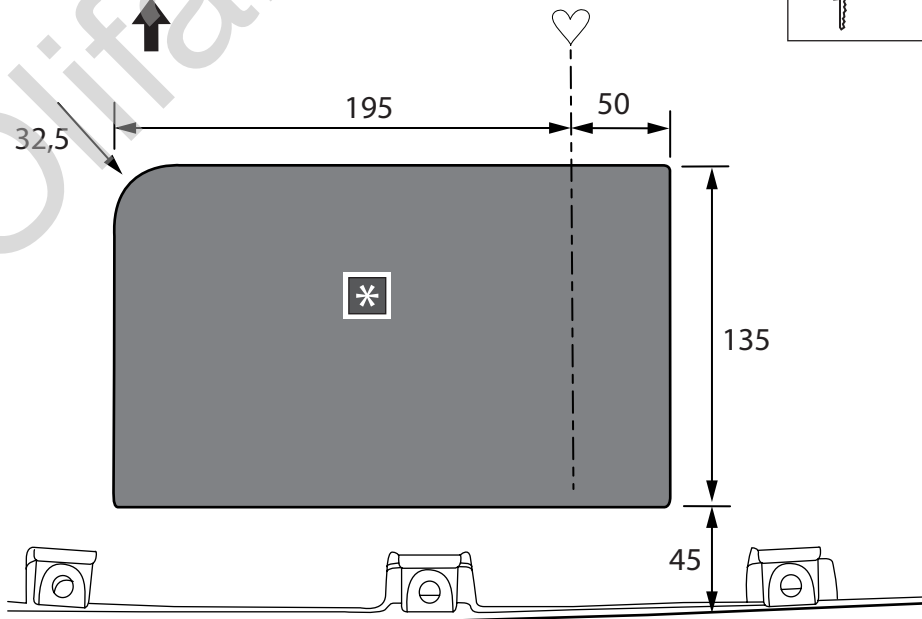
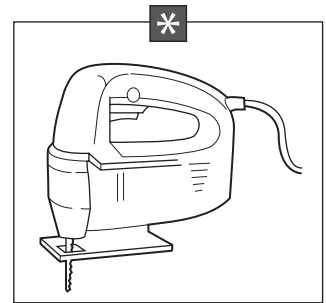
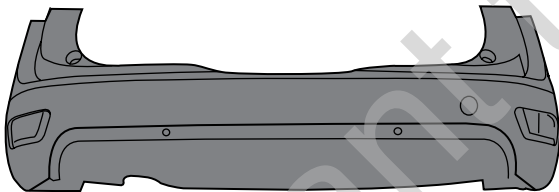
ONLY VEHICLES WITH 7 SEATS
 NUR FAHRZEUGE MIT 7 SITZPLATZE
 SEULEMENT VEHICULES AVEC 7 PLACES
 ENKEL VOERTUIGEN MET 7 PLAATSEN

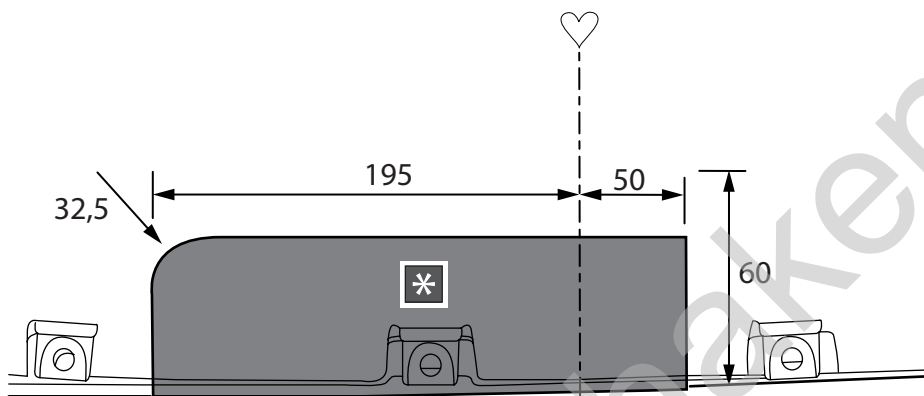
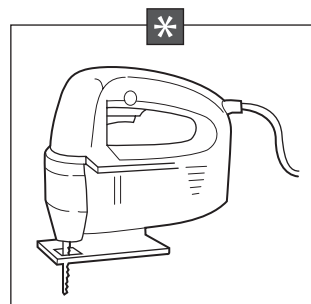
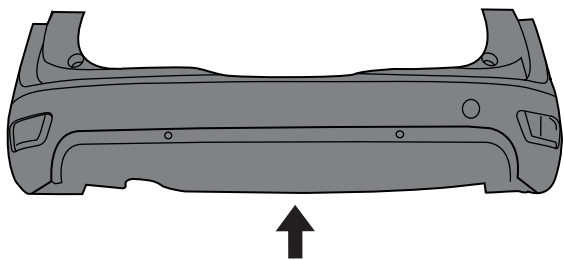


Peugeot 308 +308 SW13



CITROËN C4 PICASSO

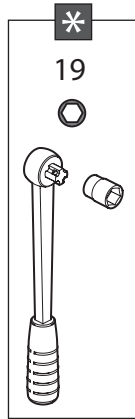




A		X1	GDW REF. 908.090
B		X1	DIN985-M6
C		X2	6,2 X 15,4 X 1,6 (NYLON)
D		X1	GDW REF. 718.16.002
E		X1	GDW REF. 718.16.003
F		X1	GDW REF. 908.094
G		X1	DIN933-M6 X 30

10

2,0 Nm



A		X1	912.003
B		X3	DIN931-M12X110
C		X6	DIN125A-M12
D		X3	DIN128A-M12
E		X3	DIN934-M12

