



Peugeot Expert 05/'16-



PEUGEOT  
E-EXPERT

Peugeot Traveller 04/'16-

Citroën Jumpy 04/'16-

Citroën SpaceTourer 04/'16-

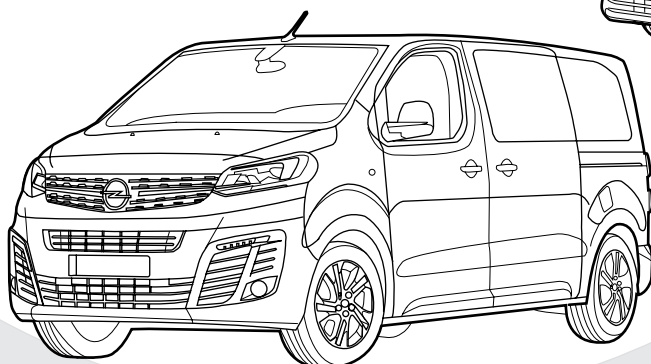
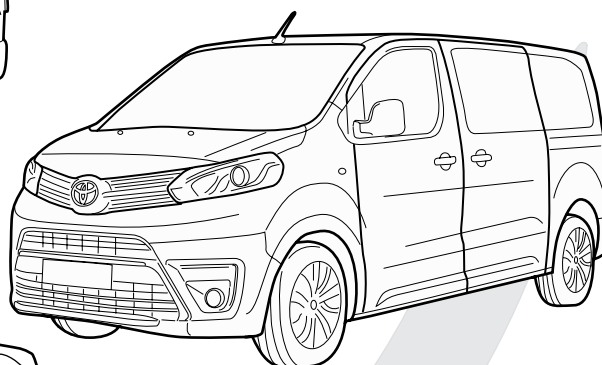
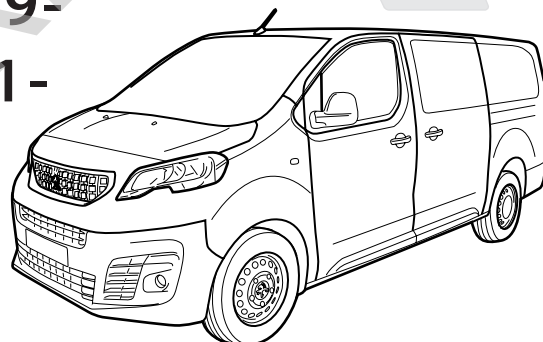
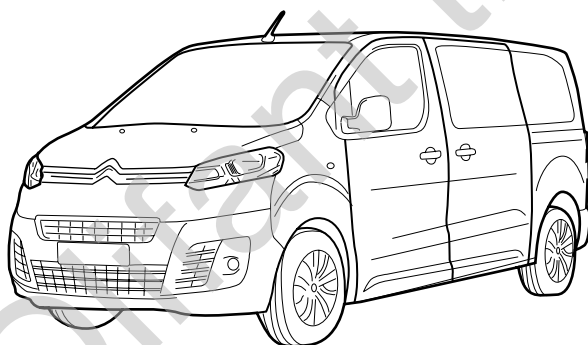
Toyota ProAce 03/'16-

Toyota ProAce Verso 03/'16-


Opel Zafira Life 03/'19-

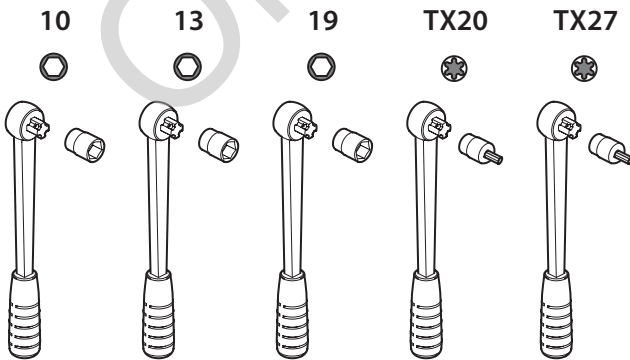
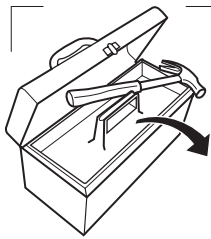
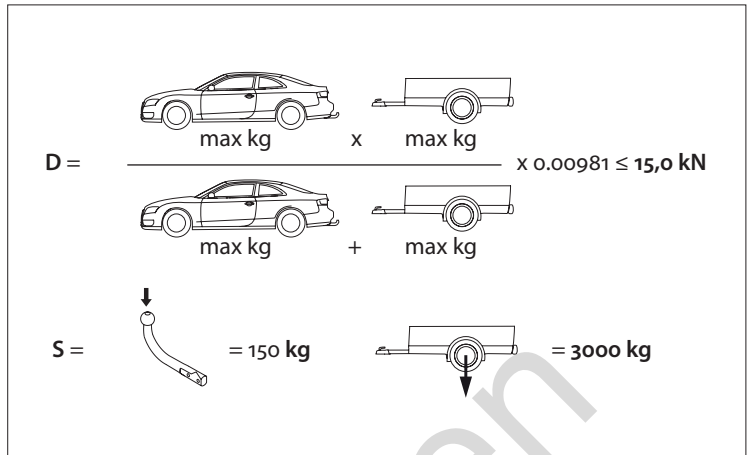
Opel Vivaro C 03/'19-

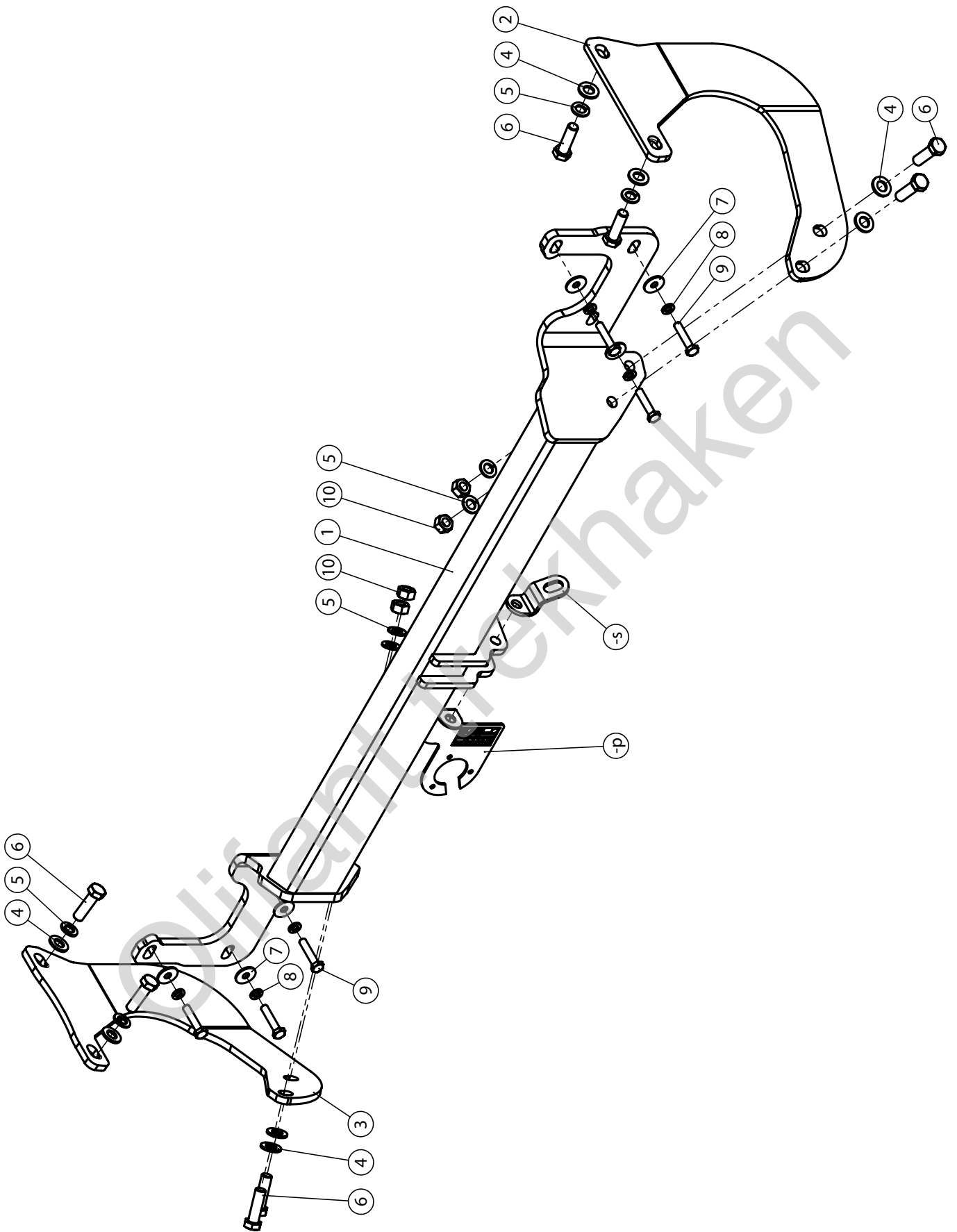
Fiat Scudo III 12/'21-

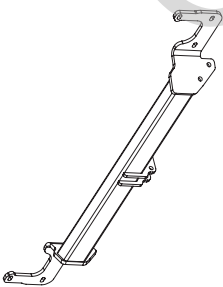
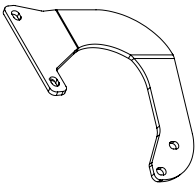
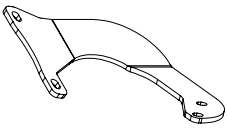










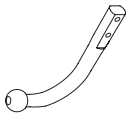




See the Certificate Of Conformity (COC) of your vehicle or contact your dealer to verify the max. trailer weight of your car!

MADE BY	D 15,0	F	E6
			
BELGIUM	S 150	EC APPROVAL N°	
		55R-011323	
REF N°	SERIE N°		
2166			
<b>OMSCHRIJVING</b>			
Peugeot Expert '16- + Traveller '16- & Citroën Jumpy '16'- + SpaceTourer '16- & Toyota Proace '16- + ProAce Verso '16- & Opel Zafira Life '19- + Opel Vivaro C '19- + Fiat Scudo III '21-			





1		X1	GDW REF. 2166
2		X1	GDW REF. 2
3		X1	GDW REF. 3
4		X8	DIN125-A12-140HV-ELVZ
5		X8	DIN 128A-M12
6		X8	DIN 933-M12X40
7		X6	DIN9021-M8-ELVZ
8		X6	DIN 128A-M8
9		X6	DIN 933-M8X40
10		X4	DIN 934-M12
-P		X1	GDW REF. P04

Geleverd met - Livré avec - Delivered with Geliefert mit - Elementos adjuntos - Leverages med		
	X1	944.M000
	X2	GDW REF. 900.008
	X2	GDW REF. 900.011 Ø 21.3 X 11.7
	X4	DIN931-M12 X 70
	X4	DIN985-M12

1

Voertuigen zonder optie "handenvrije schuifdeuren"  
Véhicules sans option "portes coulissantes mains libres"  
Fahrzeuge ohne Option "schlüssellos bedienbaren Schiebetüren"  
Vehicles without option "hands-free sliding doors"

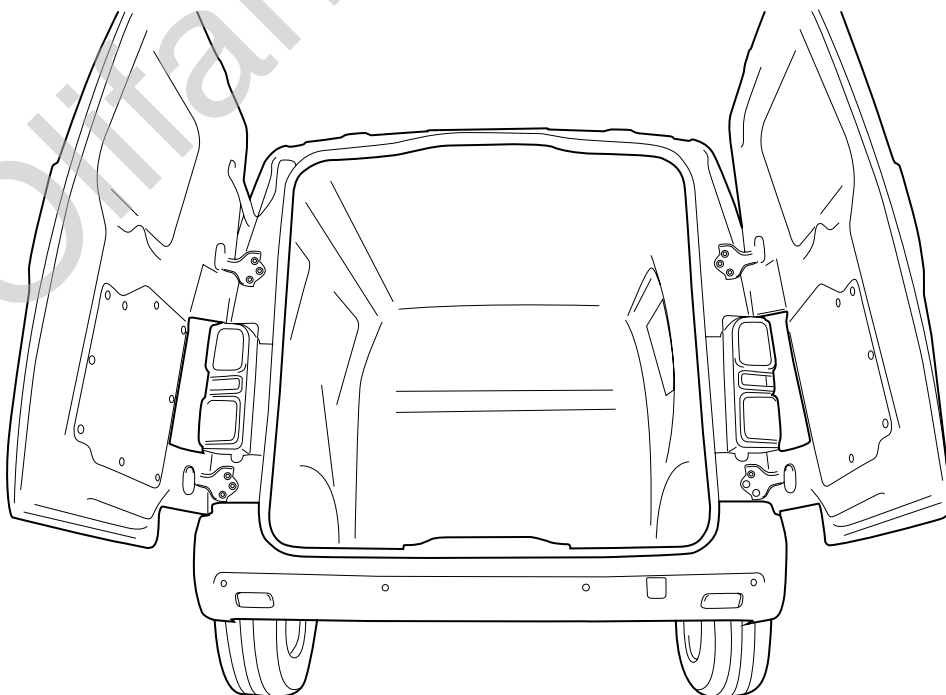
2 → 10

Voertuigen met optie "handenvrije schuifdeuren"  
Véhicules avec option "portes coulissantes mains libres"  
Fahrzeuge mit Option "schlüssellos bedienbaren Schiebetüren"  
Vehicles with option "hands-free sliding doors"

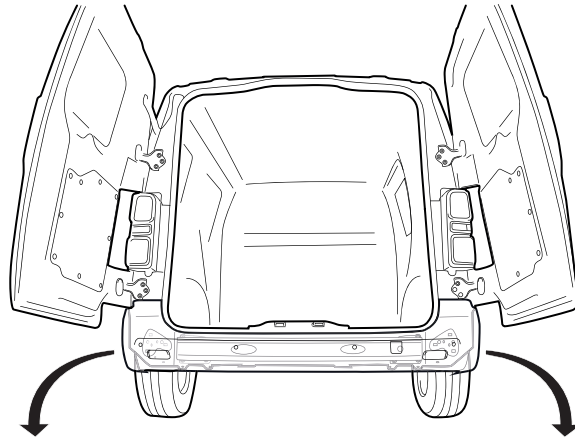
11 → 24

2

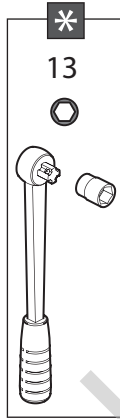
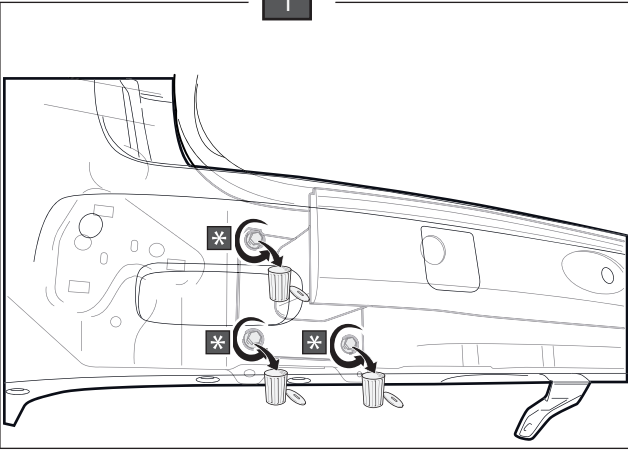
Bumper moet niet gedemonteerd worden  
Le pare-chocs ne doit pas être démonté  
Stoßstange muss nicht demontiert werden  
Bumper doesn't need to be demounted



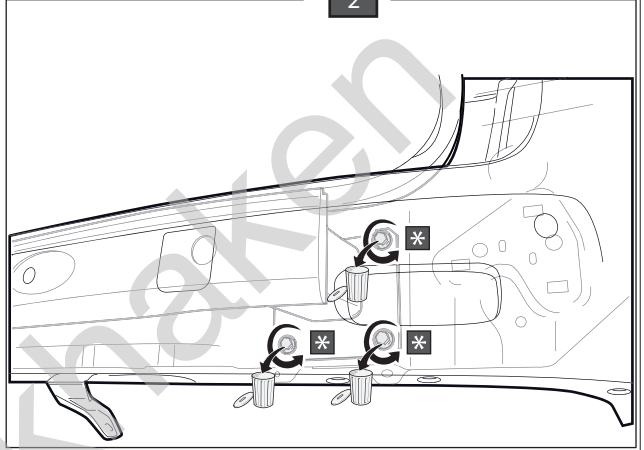
3



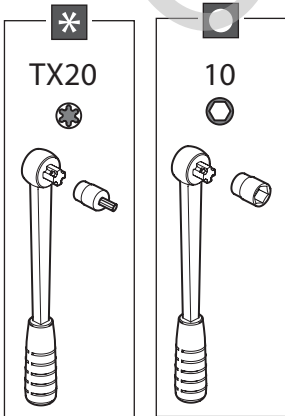
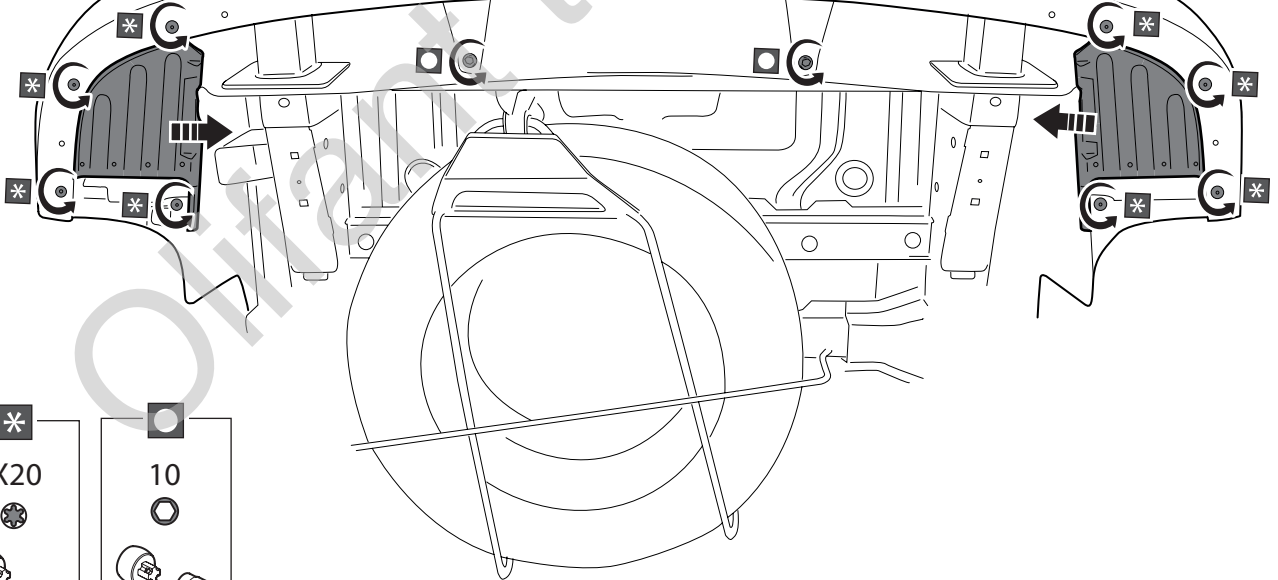
1



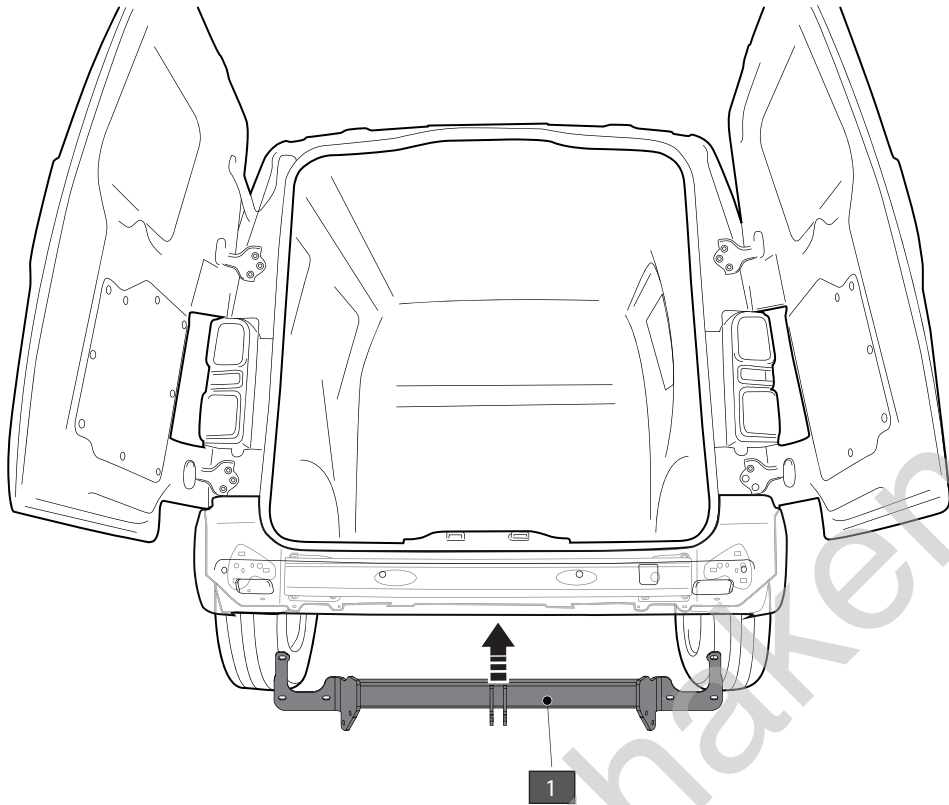
2



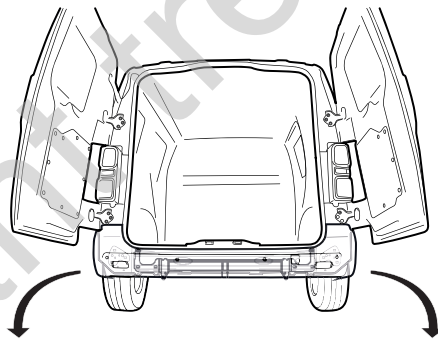
4



5



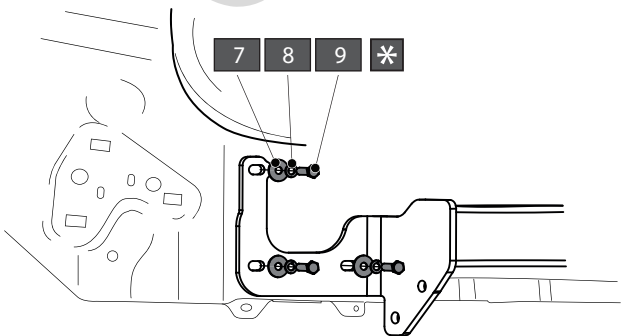
6



27,3 Nm

1

7 8 9 \*



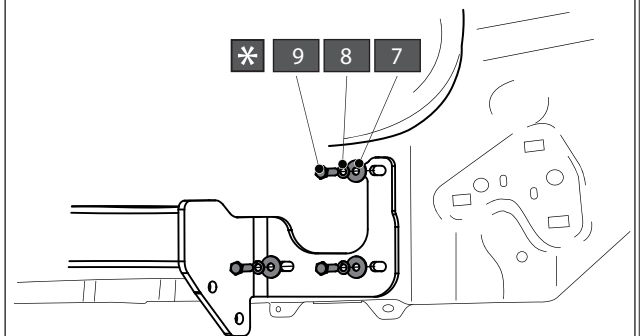
\*

13

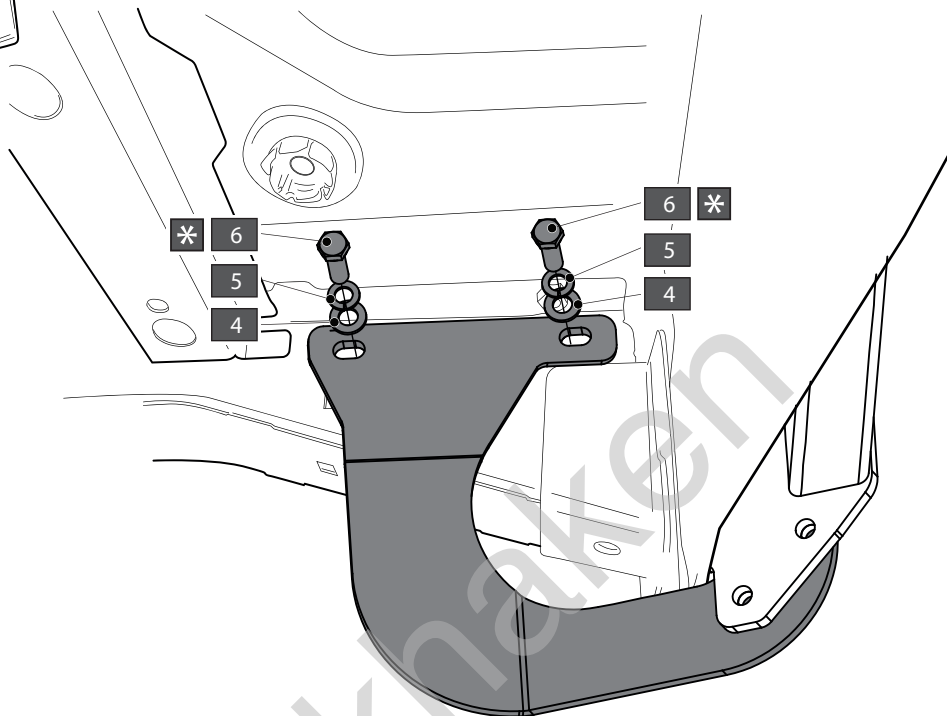
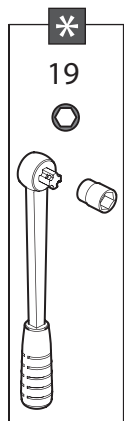
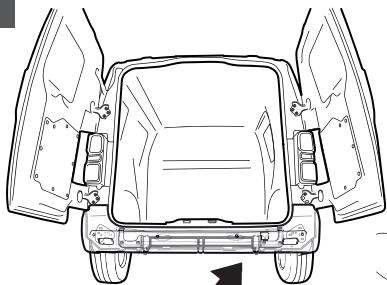


2

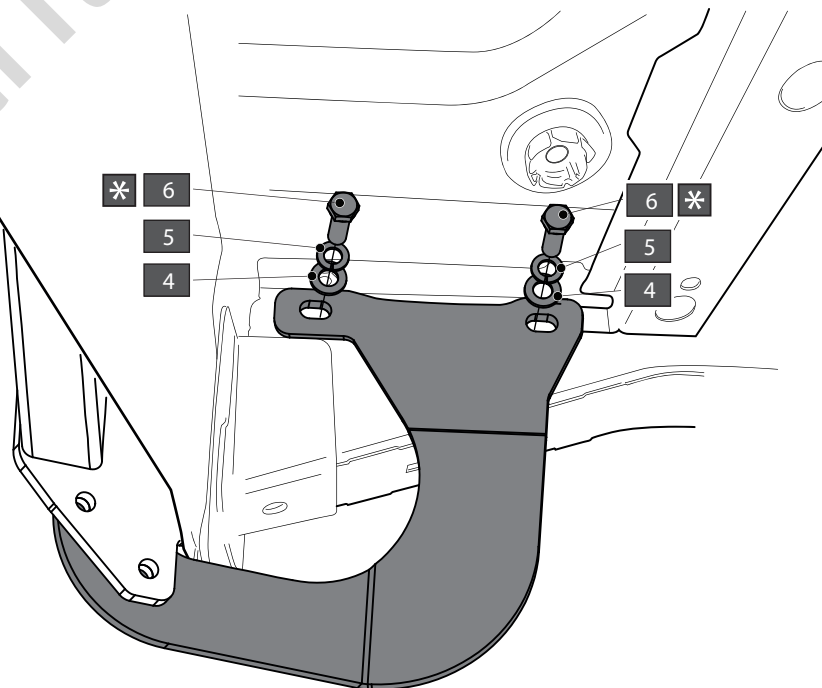
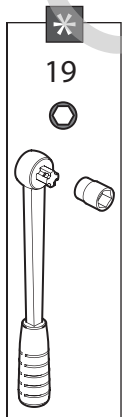
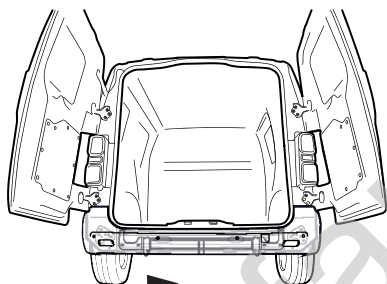
\* 9 8 7



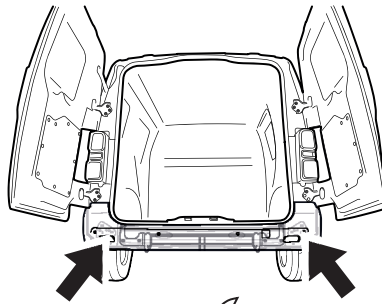
7



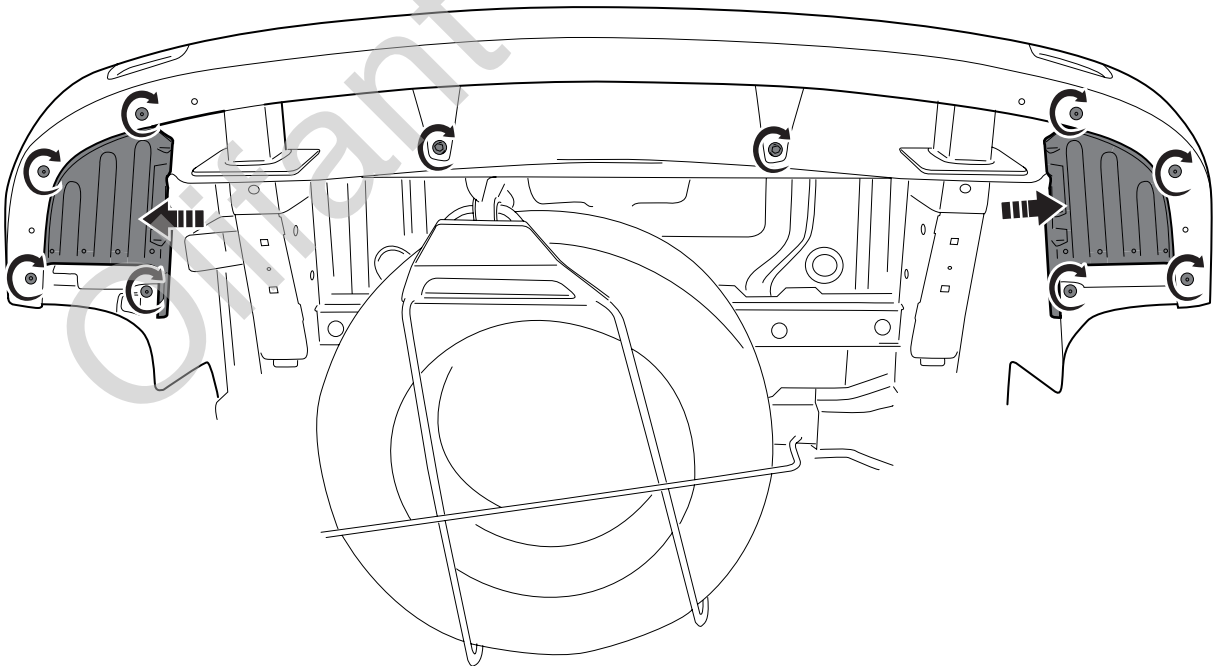
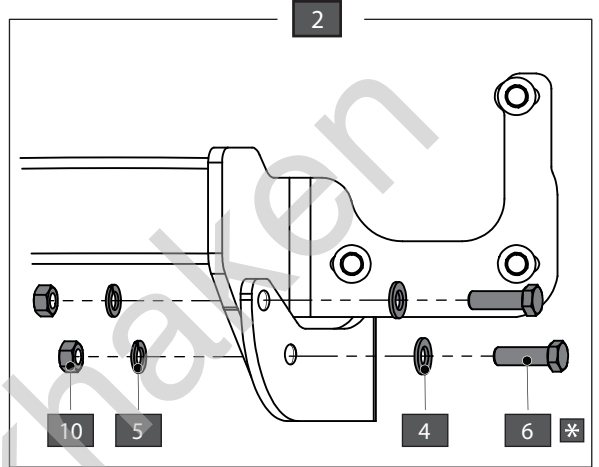
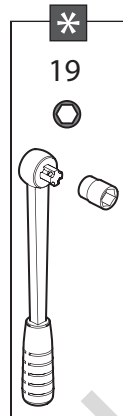
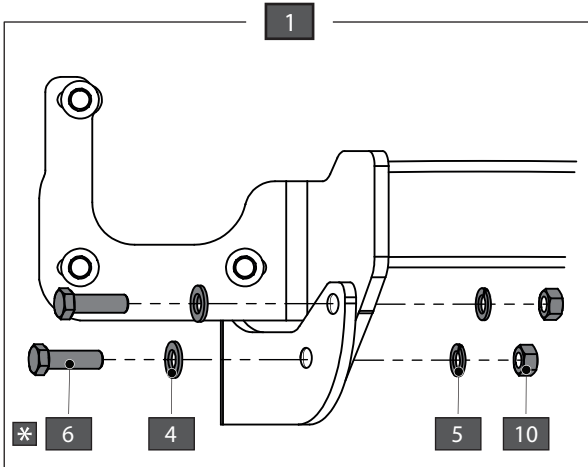
8







93,0 Nm

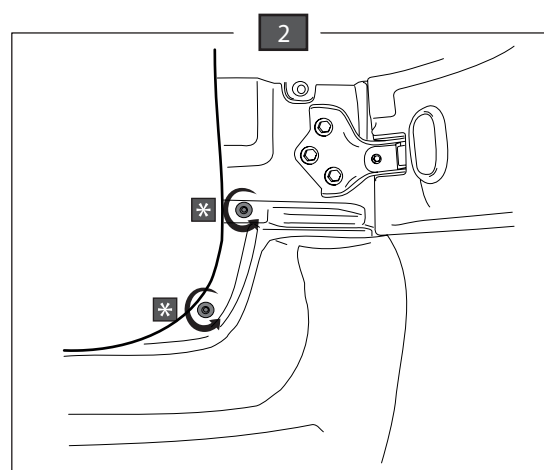
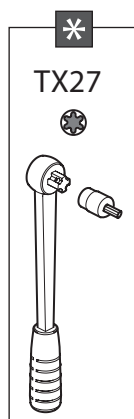
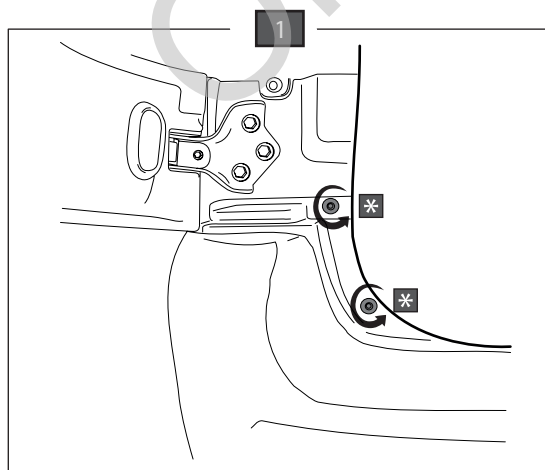
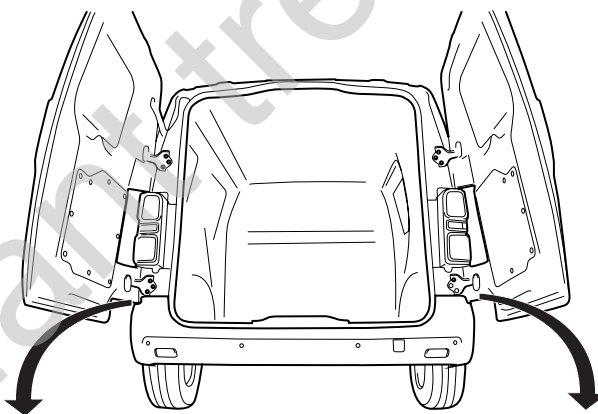
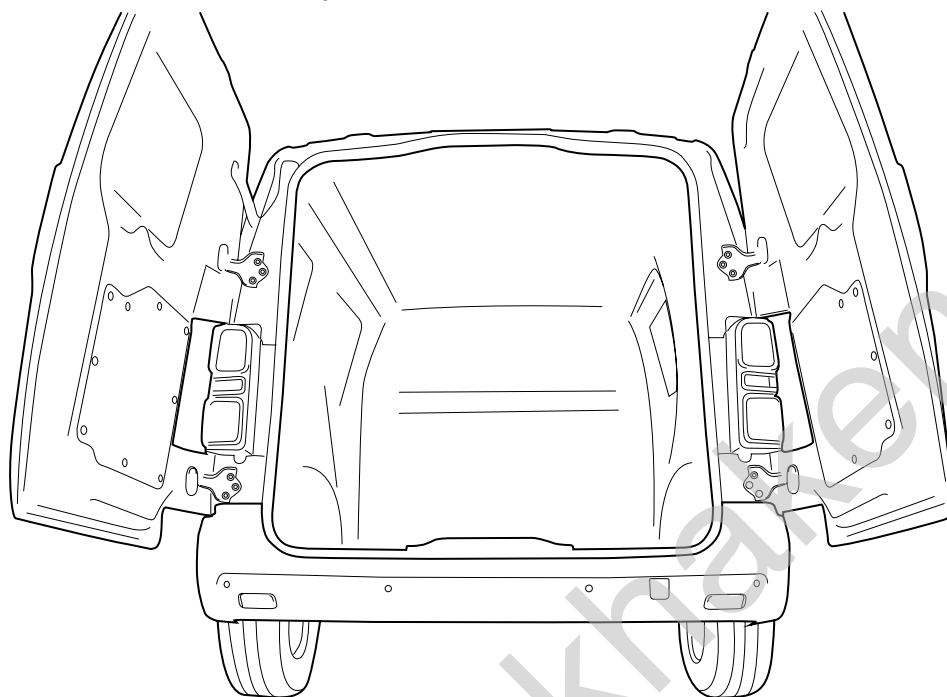


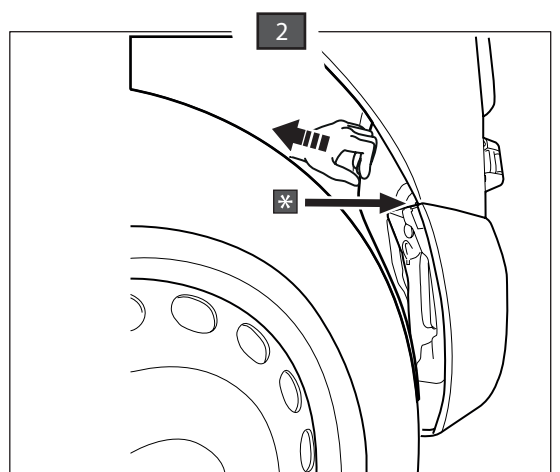
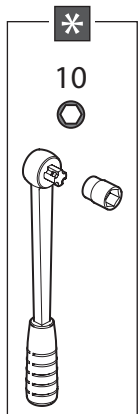
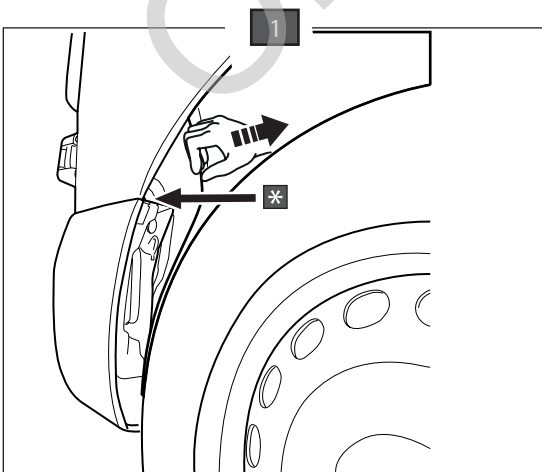
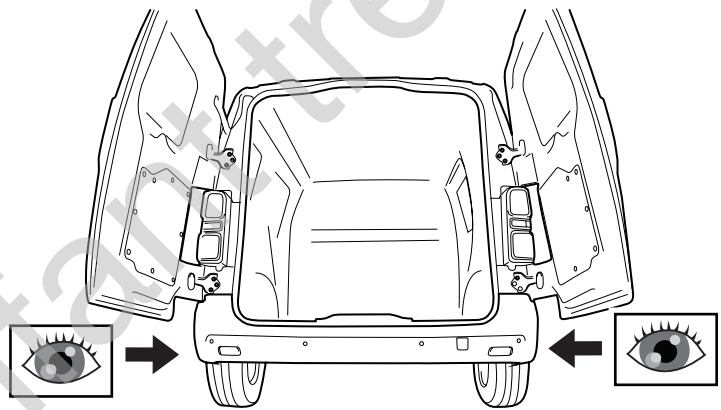
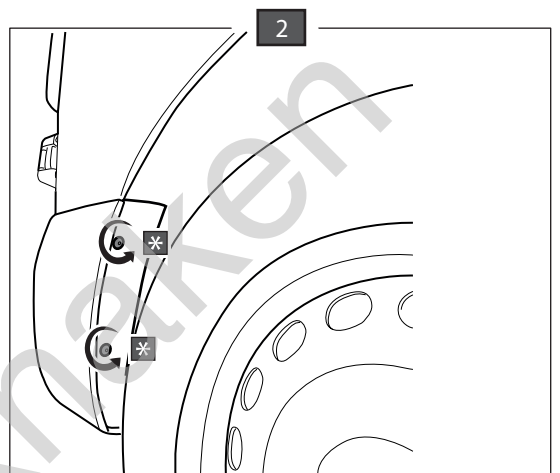
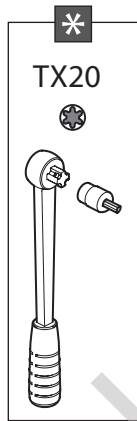
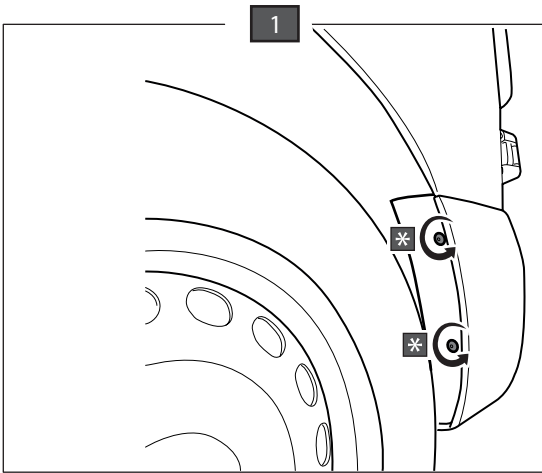
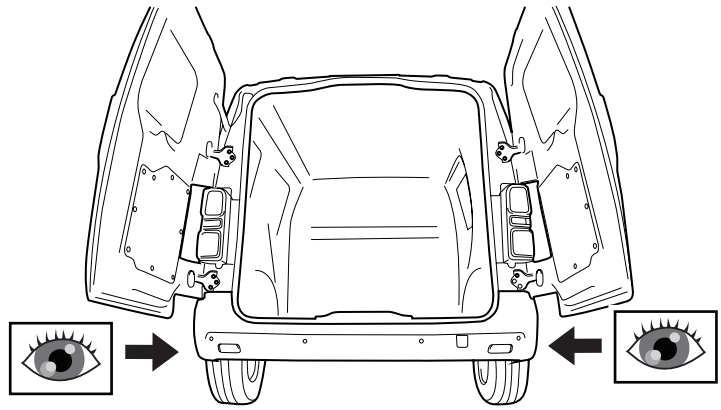
Bumper moet gedemonteerd worden

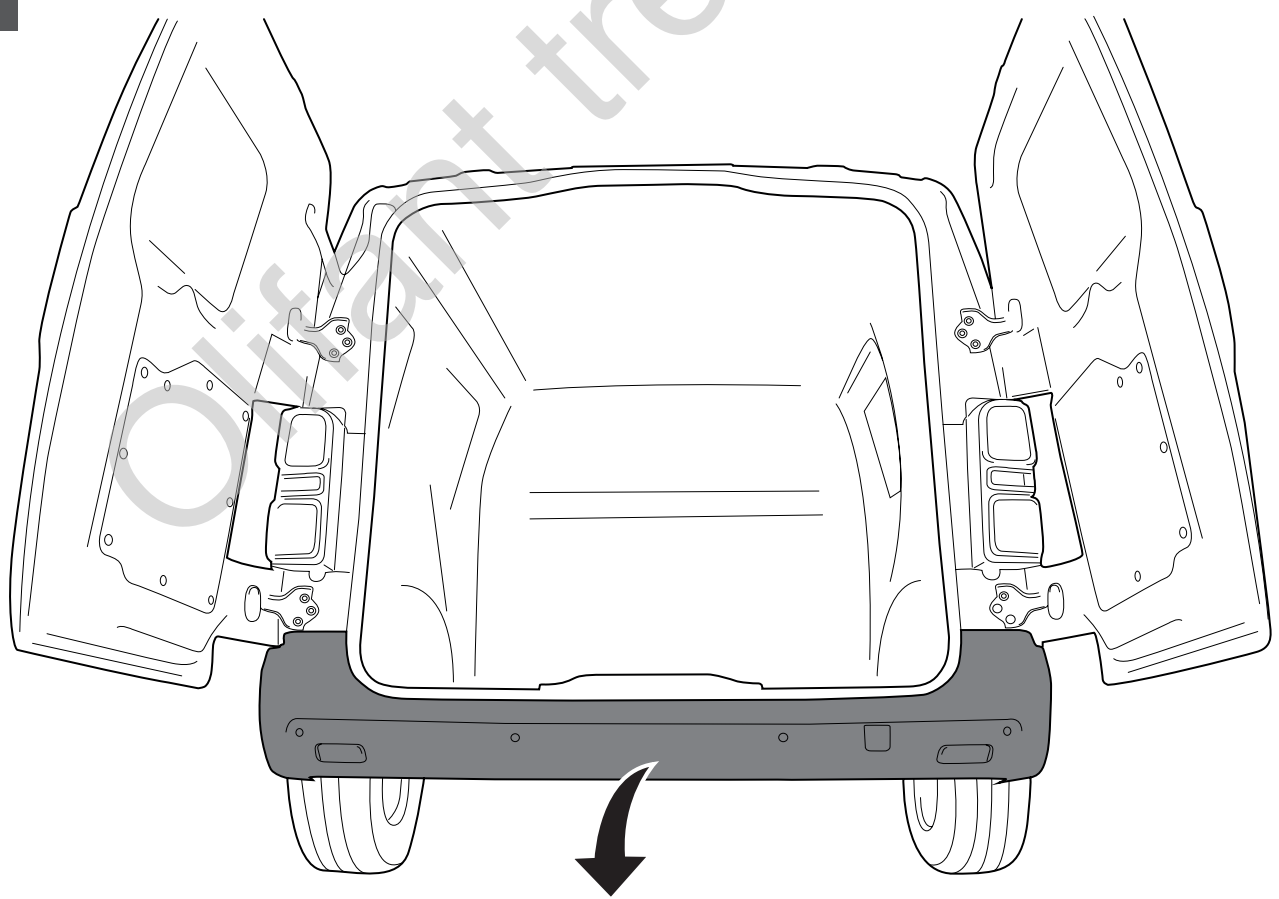
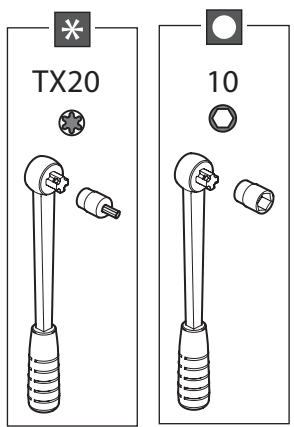
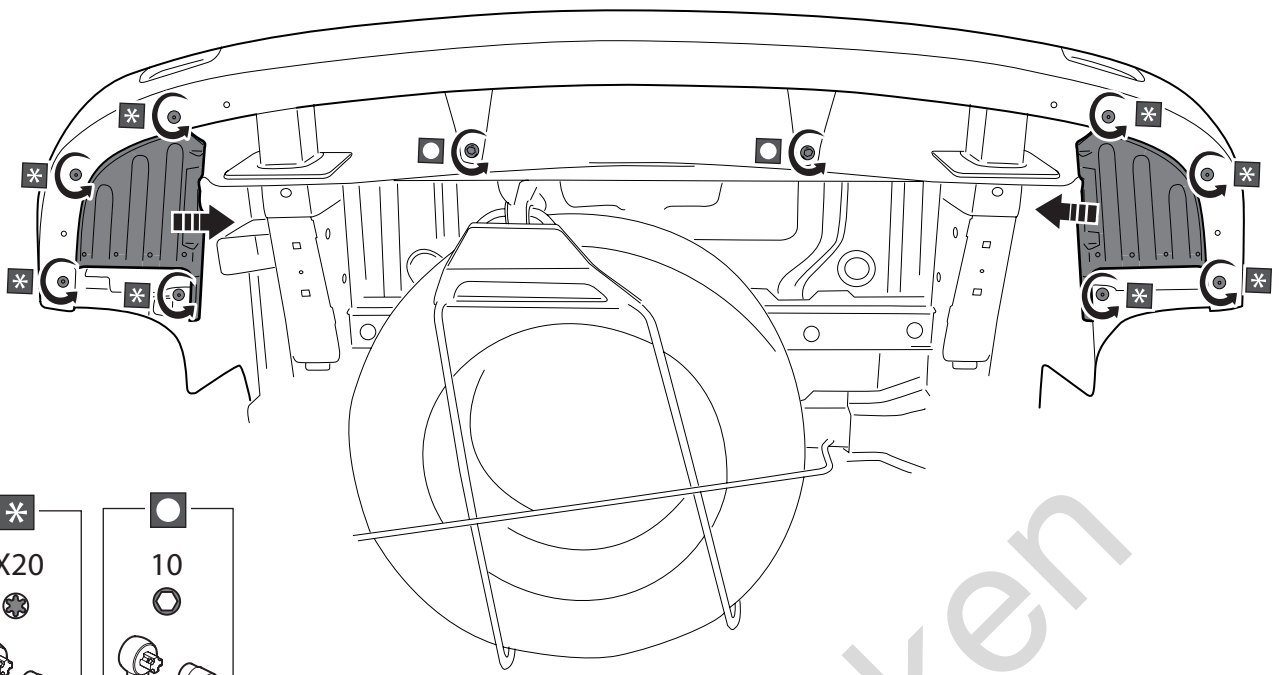
Le pare-chocs doit être démonté

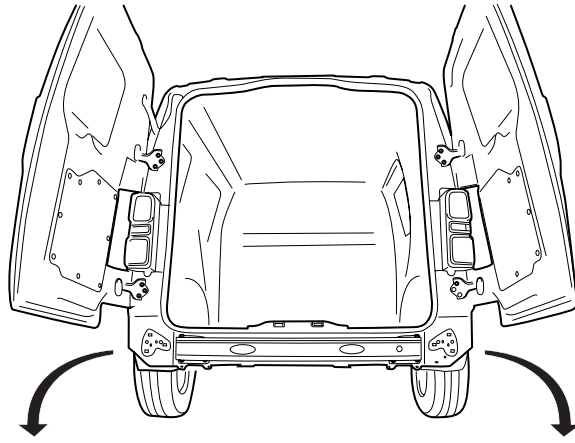
Stoßstange muss demontiert werden

Bumper needs to be demounted

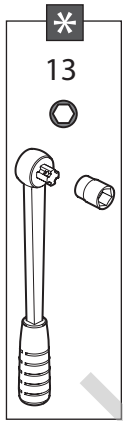
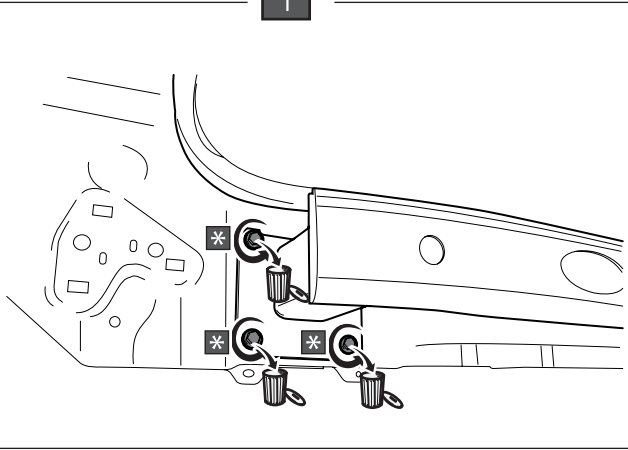




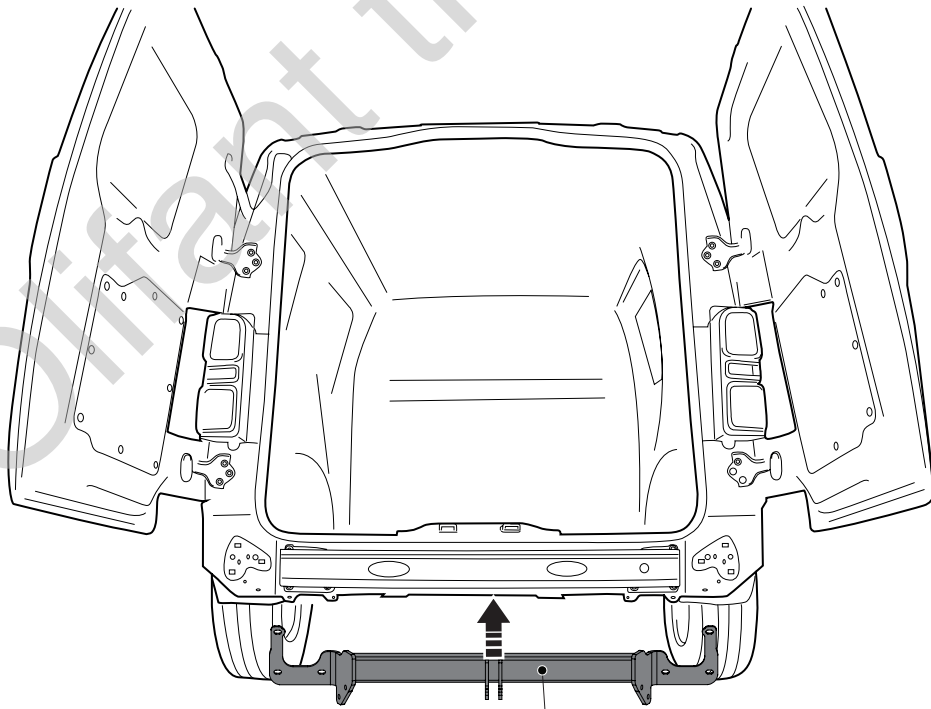
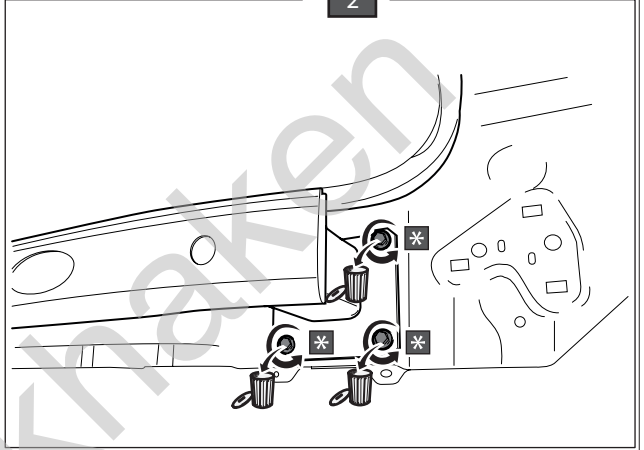




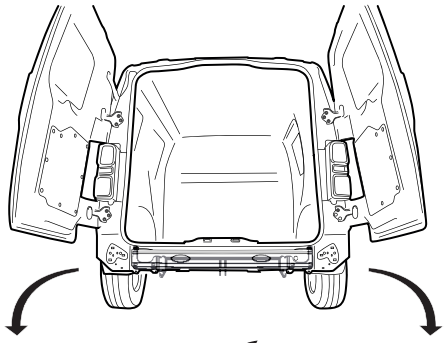
1



2



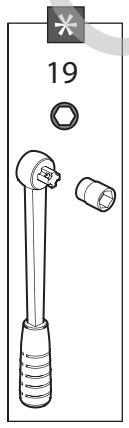
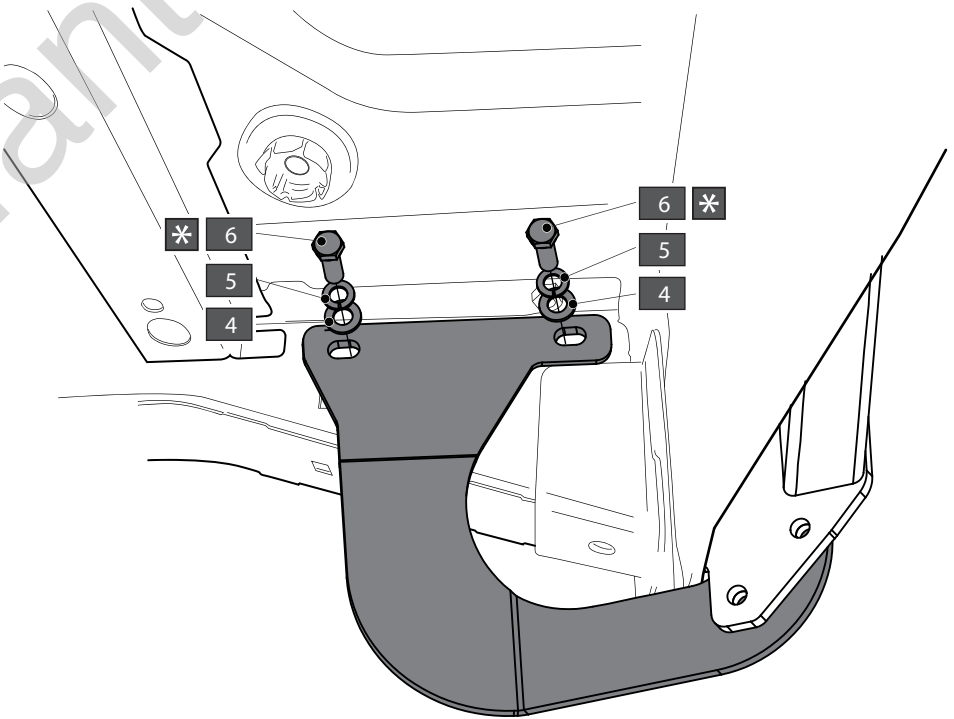
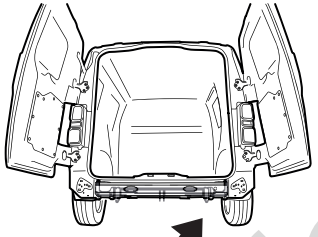
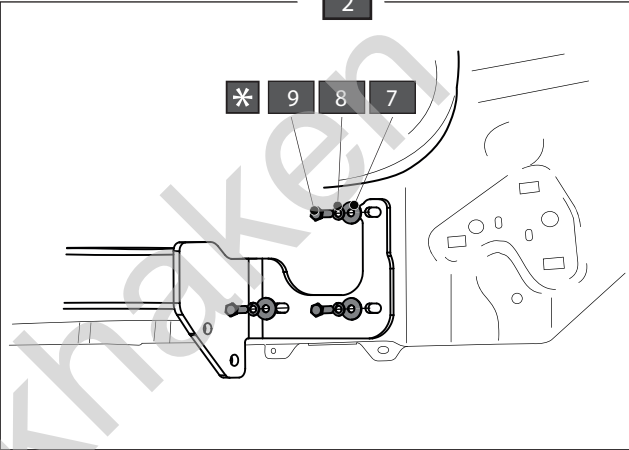
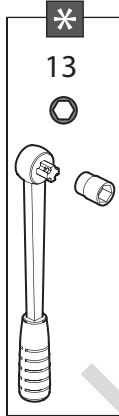
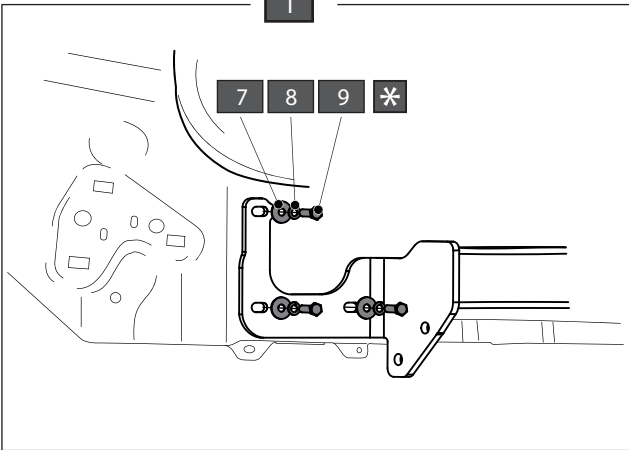
1



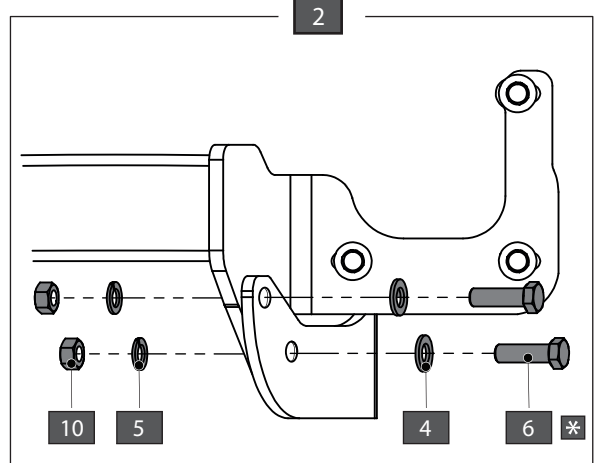
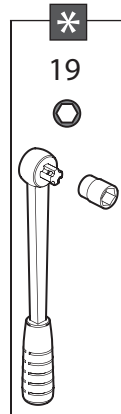
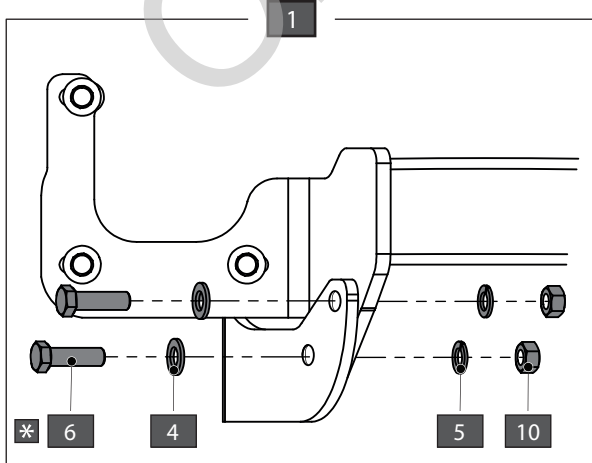
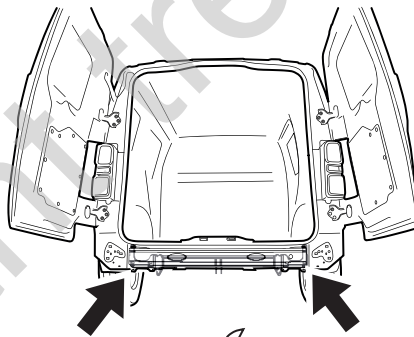
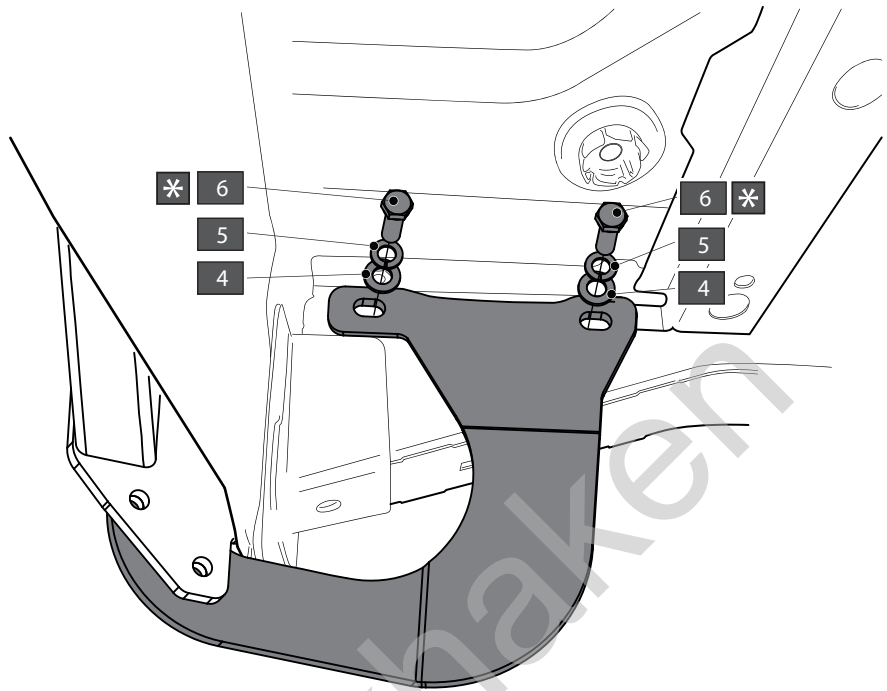
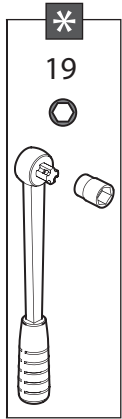
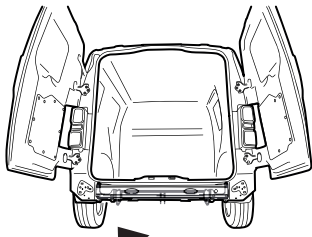
27,3 Nm

1

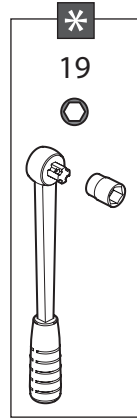
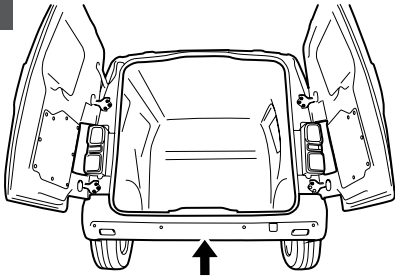
2



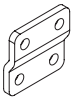

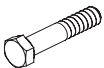


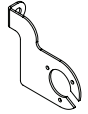
93,0 Nm

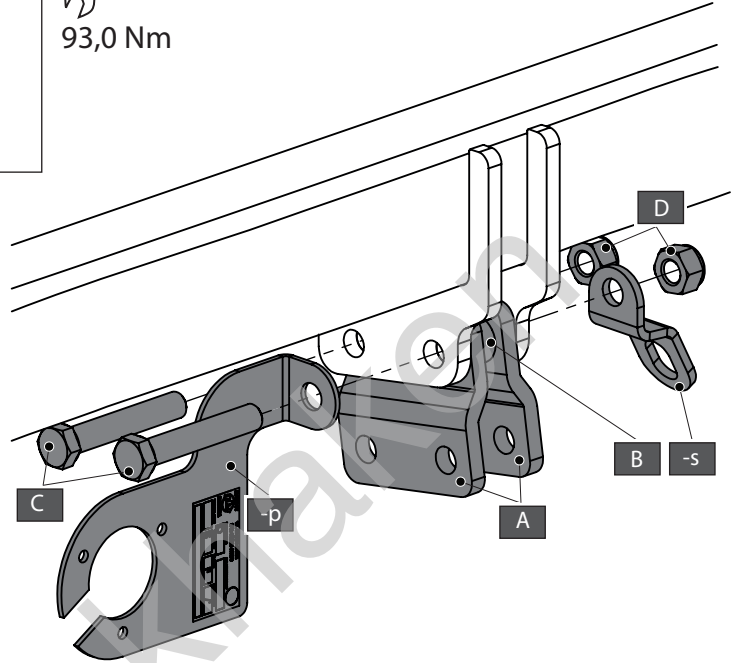


23

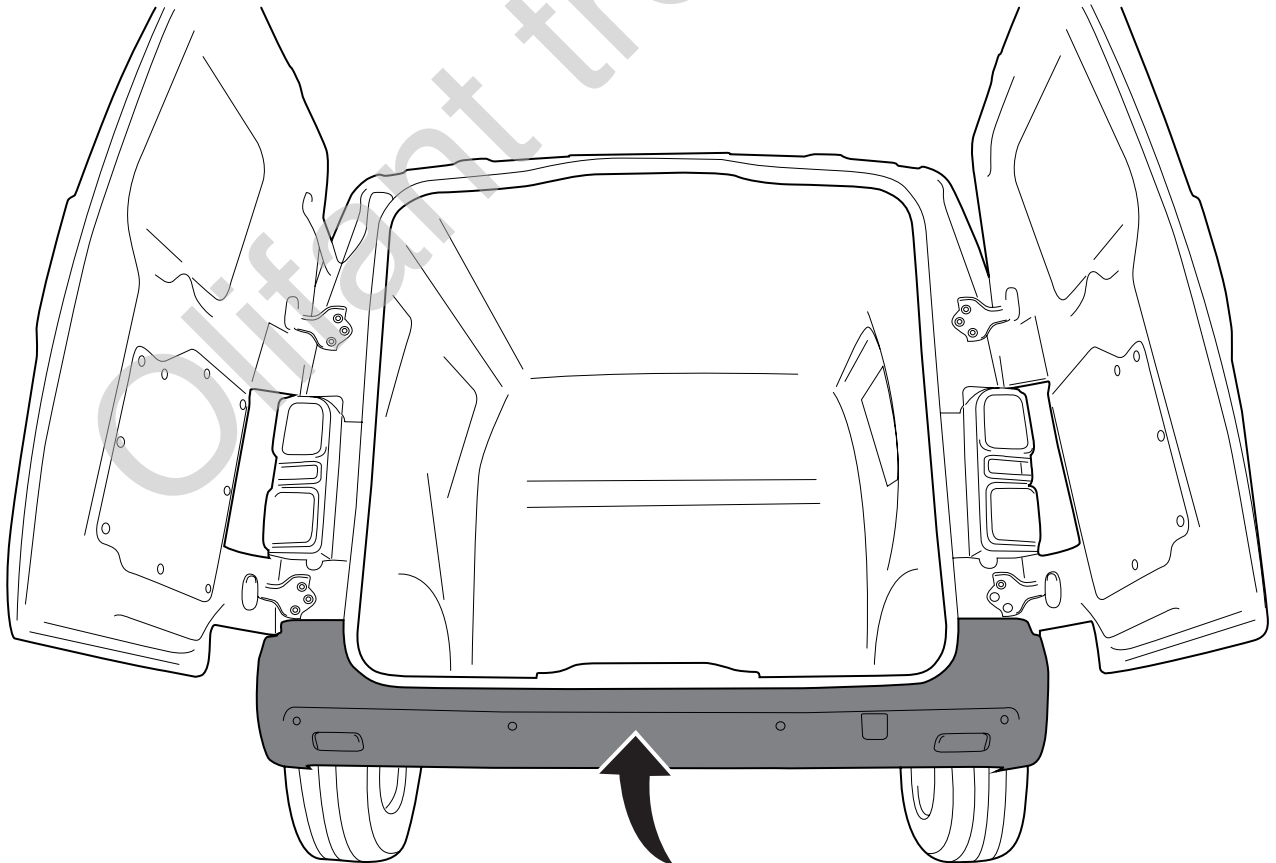


93,0 Nm

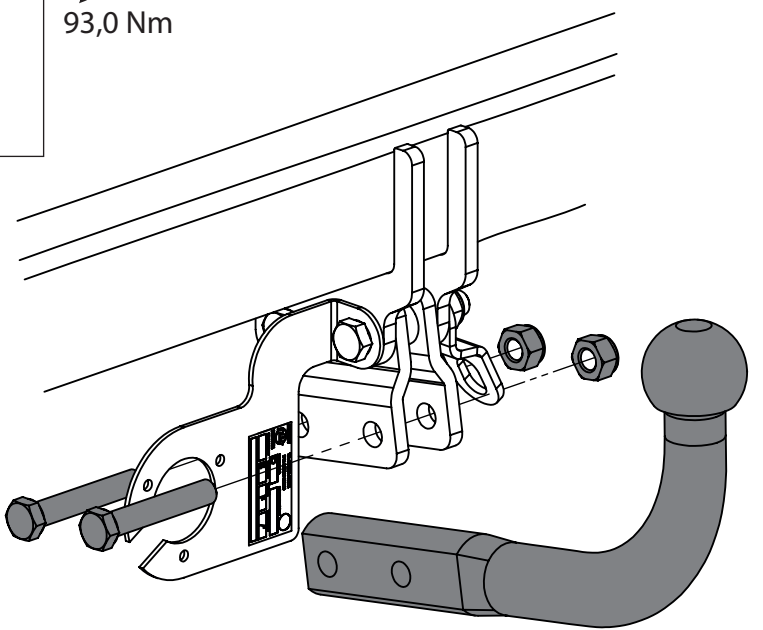
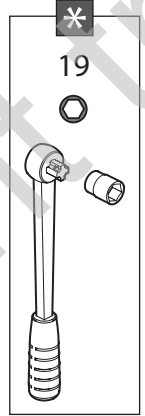
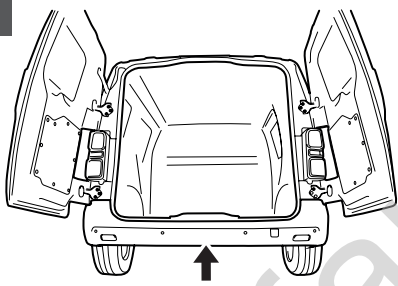
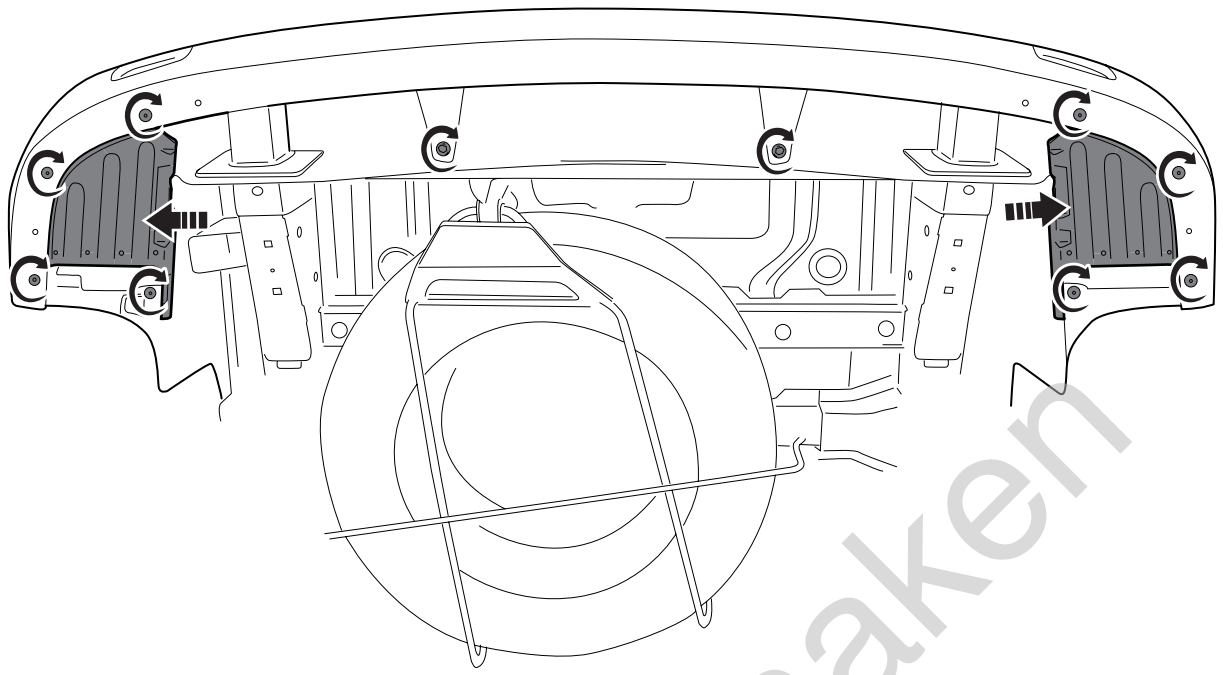
A		X2	GDW REF. 900.008
B		X2	GDW REF. 900.011 Ø 21.3 X 11.7
C		X2	DIN931-M12 X 70
D		X2	DIN985-M12
-S		X1	GDW REF. 900.053
-P		X1	GDW REF. PO4

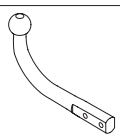
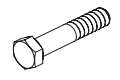
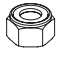


24







- |   |   |    |                 |
|---|---|----|-----------------|
| A |  | X1 | 944.M000        |
| B |  | X2 | DIN931-M12 X 70 |
| C |  | X2 | DIN985-M12      |

