



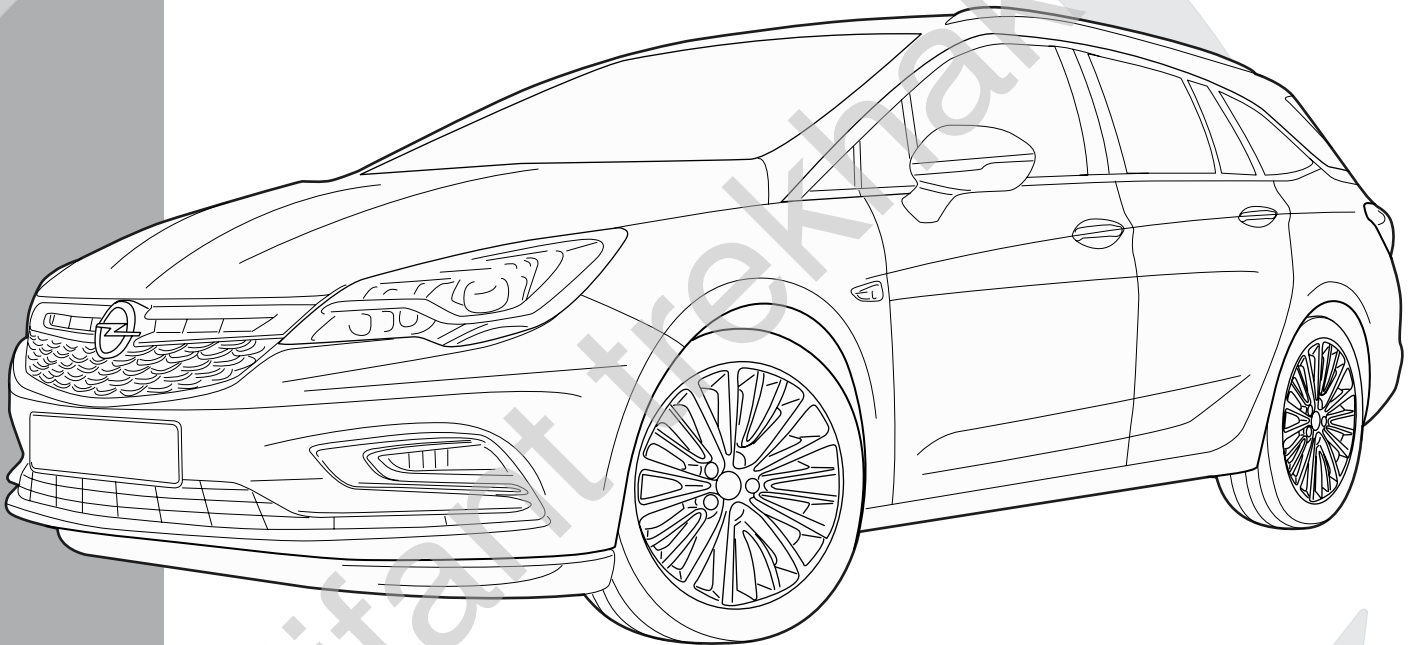
TREKHAKEN • ATTELAGES • ANHÄNGERVORRICHTUNGEN • TOWBARS • ENHANCES • ANHÆNGERTRÆK

Montagehandleiding | instructions de montage | Einbauanleitung | Mounting instruction
Instrucciones de montaje | monteringsvejledning





Opel Astra K Sports Tourer

11/'15-

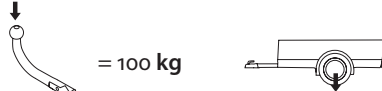


See the Certificate Of Conformity (COC) of your vehicle or contact your dealer to verify the max. trailer weight of your car!

MADE BY	D9	F	E6
			
BELGIUM	S100	55R-011314	
REF N°	2156	SERIE N°	
OMSCHRIJVING			
Opel Astra K Sports Tourer 11/'15			



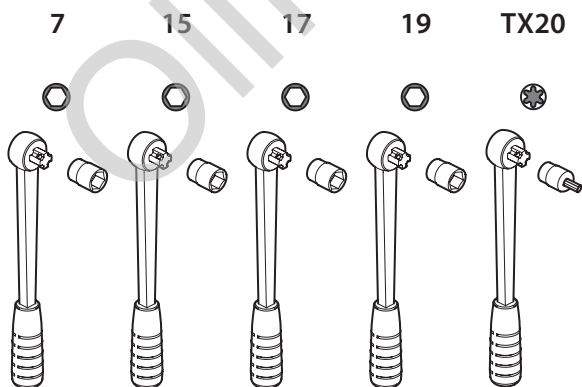
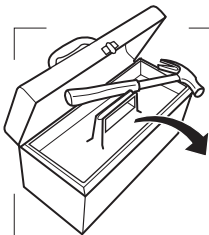
$$D = \frac{\text{max kg} \times \text{max kg}}{\text{max kg} + \text{max kg}} \times 0.00981 \leq 9 \text{ kN}$$

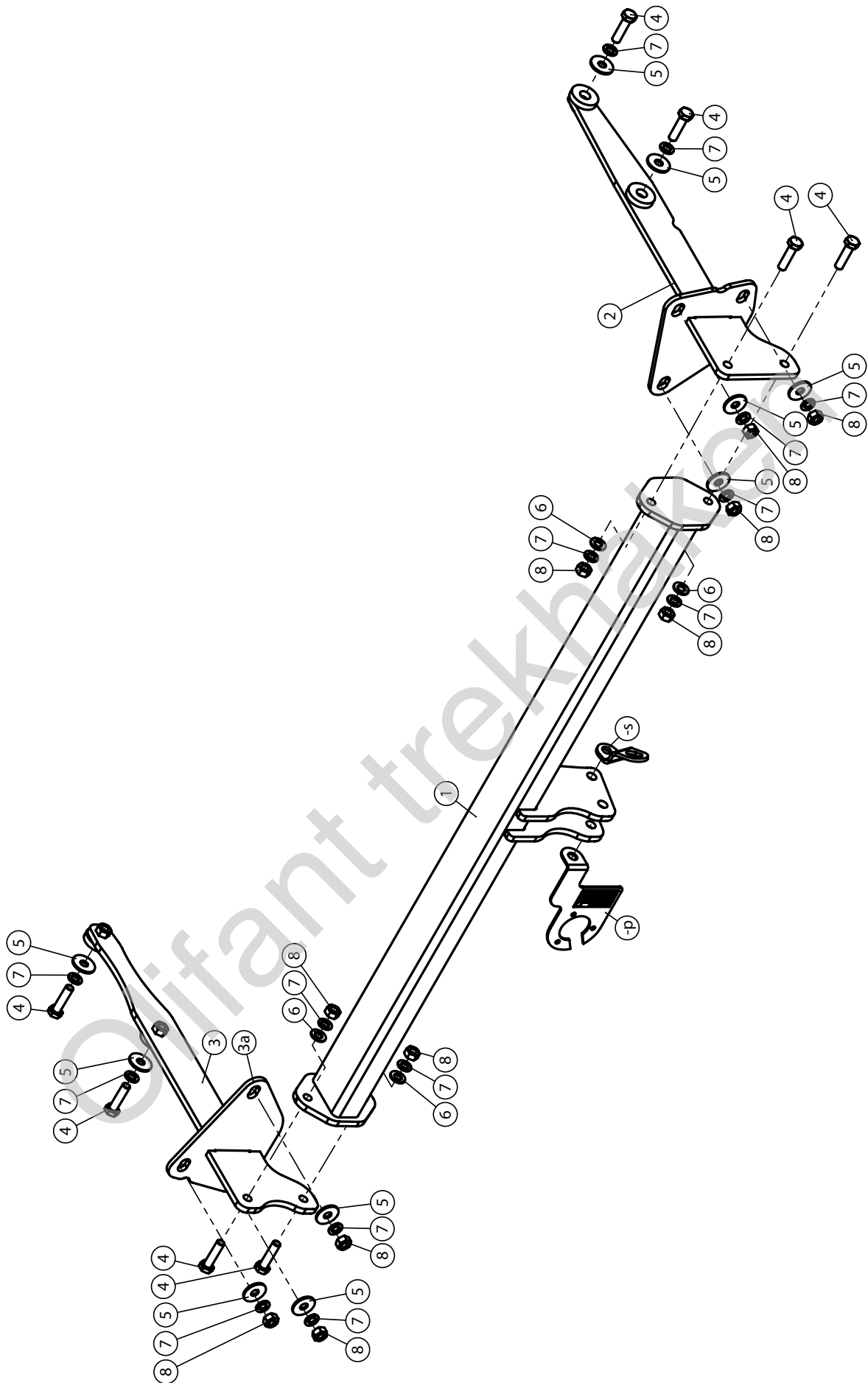


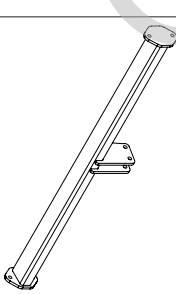
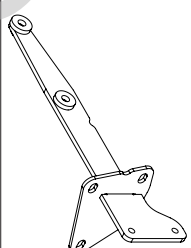
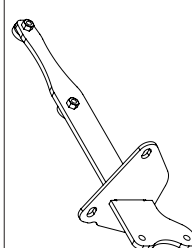

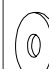

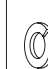



$$S = \text{hook} = 100 \text{ kg} \quad \text{trailer} = 1700 \text{ kg}$$

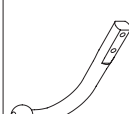






	M 6	M 8	M 10		M 12			M 14		M 16
	1	1,25	1,5	(1,25)	1,75	(1,5)	(1,25)	1,75	(1,5)	2
8.8	11,3 Nm	27,3 Nm	54,0 Nm	57,0 Nm	93,0 Nm	97,0 Nm	101,0 Nm	148,0 Nm	159,0 Nm	230,0 Nm
10.9	16,5 Nm	40,1 Nm	79,0 Nm	83,0 Nm	137,0 Nm	143,0 Nm	149,0 Nm	218,0 Nm	234,0 Nm	320,0 Nm
12.9	19,3 Nm	46,9 Nm	93,0 Nm	98,0 Nm	160,0 Nm	167,0 Nm	174,0 Nm	255,0 Nm	274,0 Nm	395,0 Nm

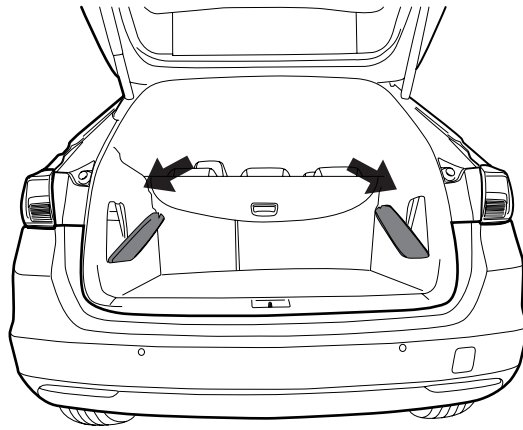




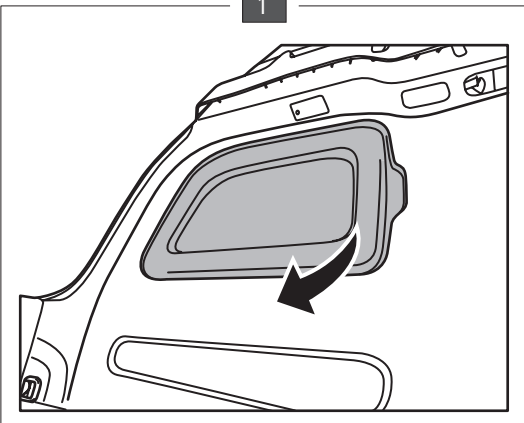
1		X1	GDW REF. 2156
2		X1	GDW REF. 2
3		X1	GDW REF. 3
4		X8	DIN933-M10X40
5		X10	DIN9021-M10-ELVZ
6		X4	DIN125-A10-140HV-ELVZ
7		X14	DIN128A-M10
8		X10	DIN934-M10
-S		X1	GDW REF. 900.053
-P		X1	GDW REF. -P

Geleverd met - Livré avec - Delivered with Geliefert mit - Elementos adjuntos-Leveres med			
	X1	944.M000	
	X2	GDW REF. 900.008	
	X2	GDW REF. 900.011 Ø 21.3 X 11.7	
	X4	DIN931-M12 X 70	
	X4	DIN985-M12	

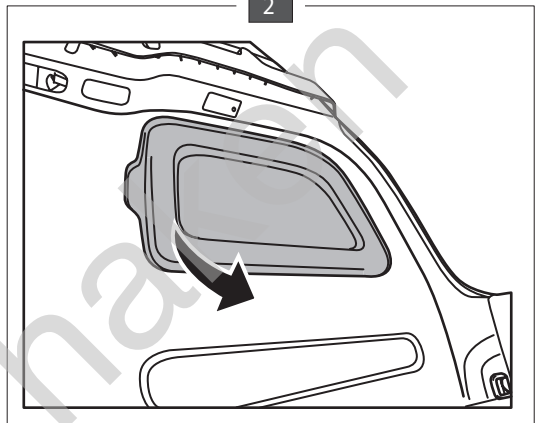
1



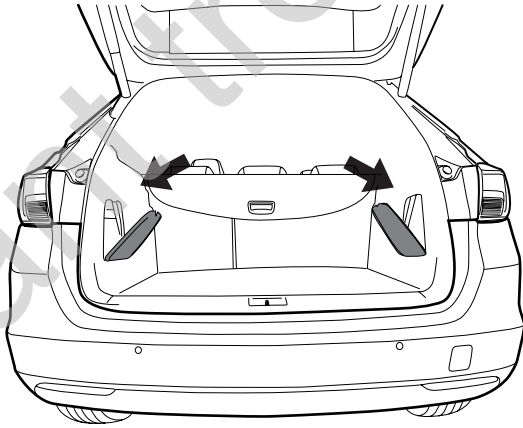
1



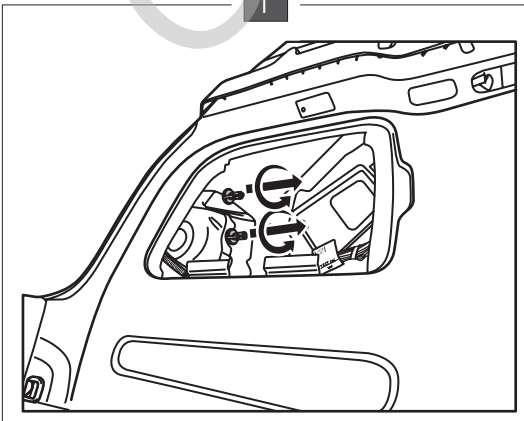
2



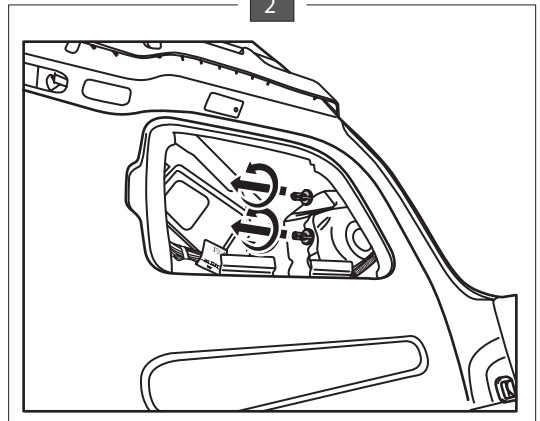
2



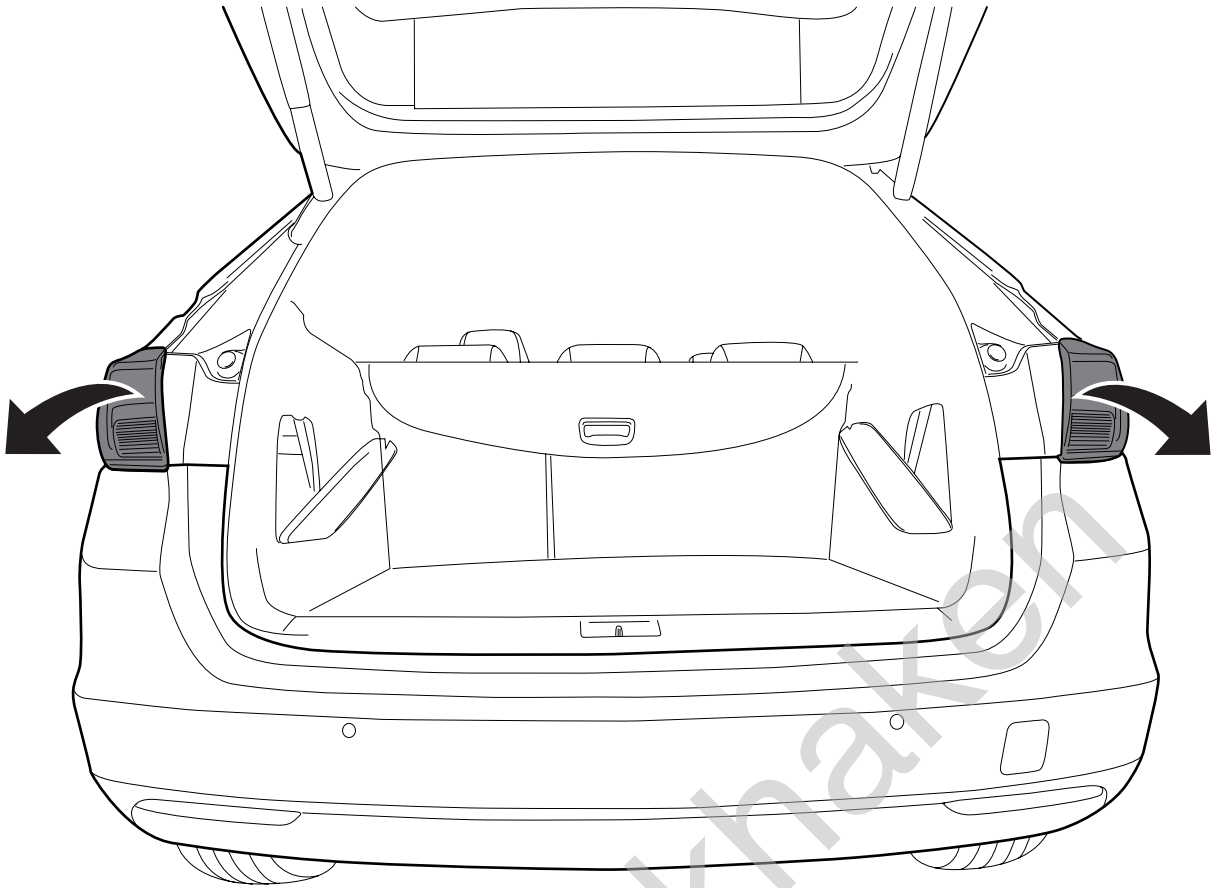
1



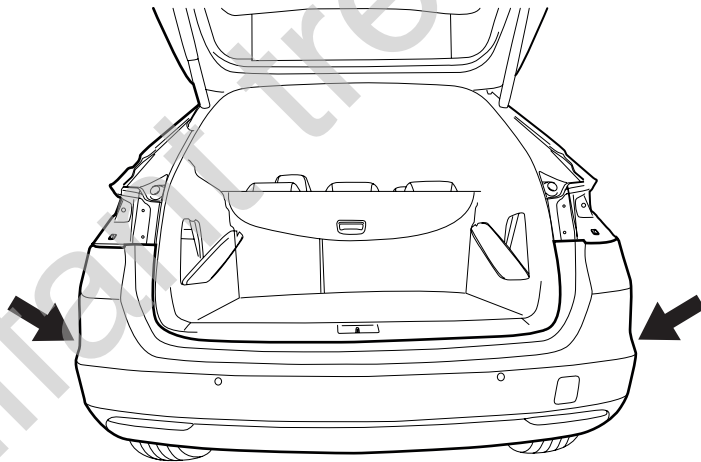
2



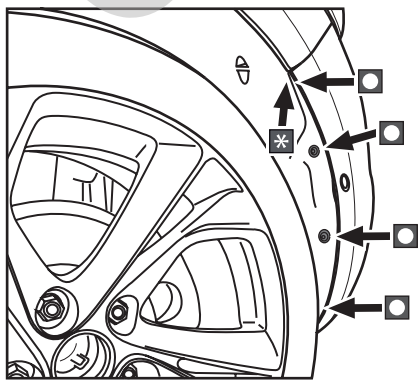
3



4

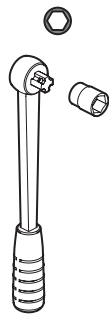


1



*

7

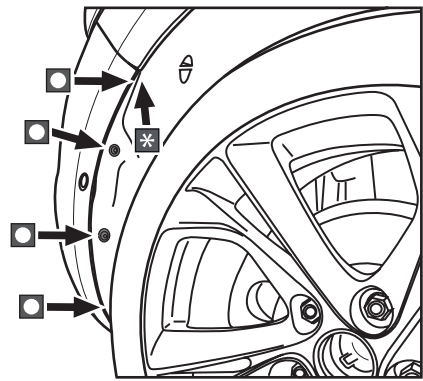


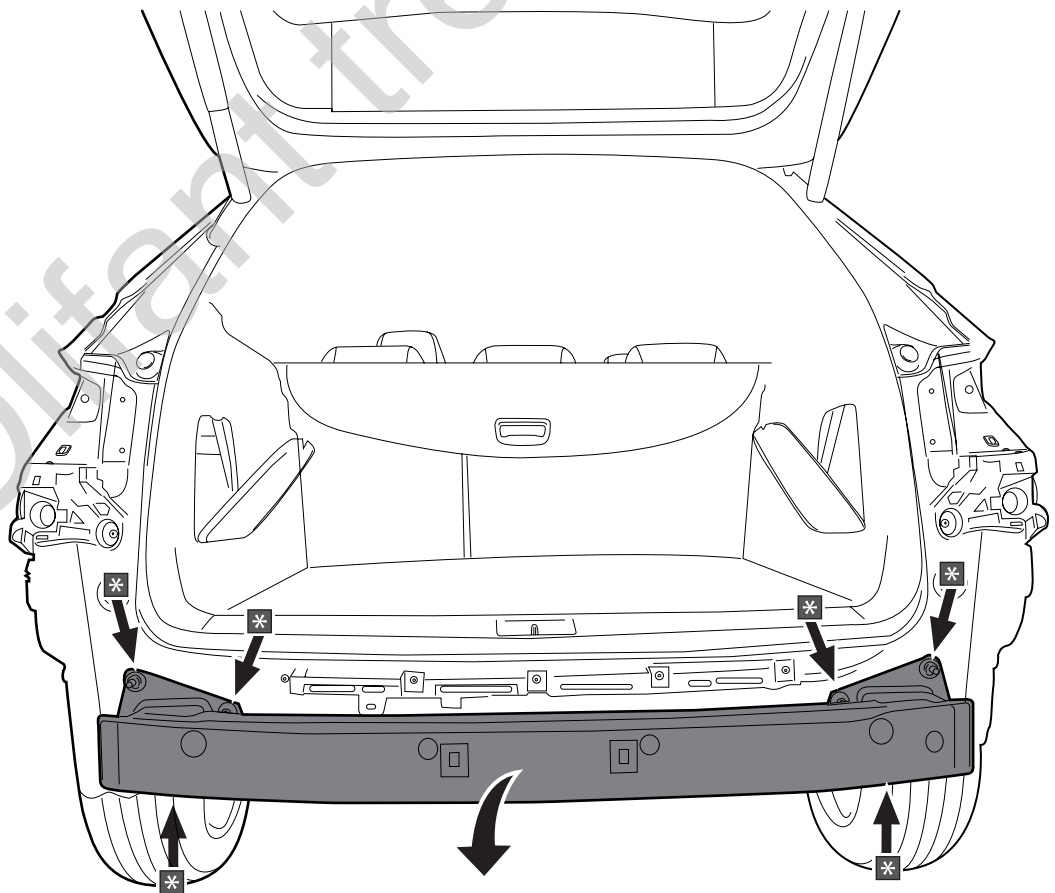
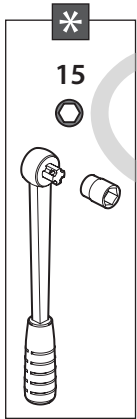
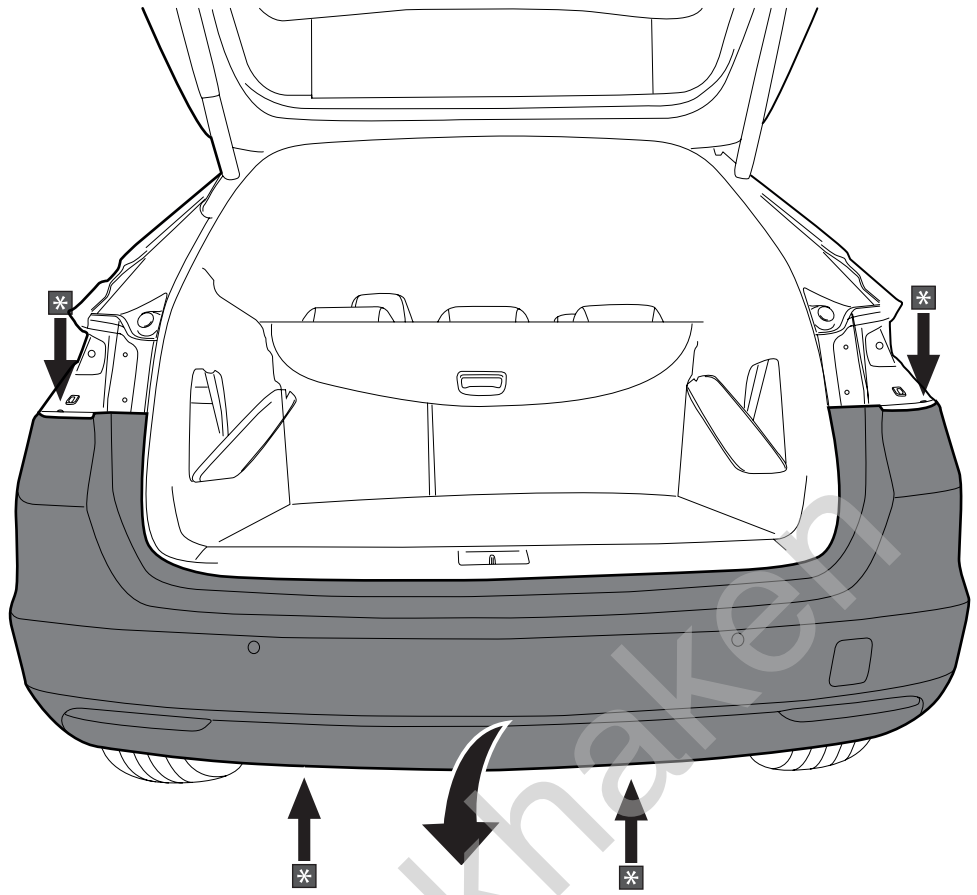
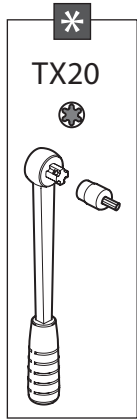
●

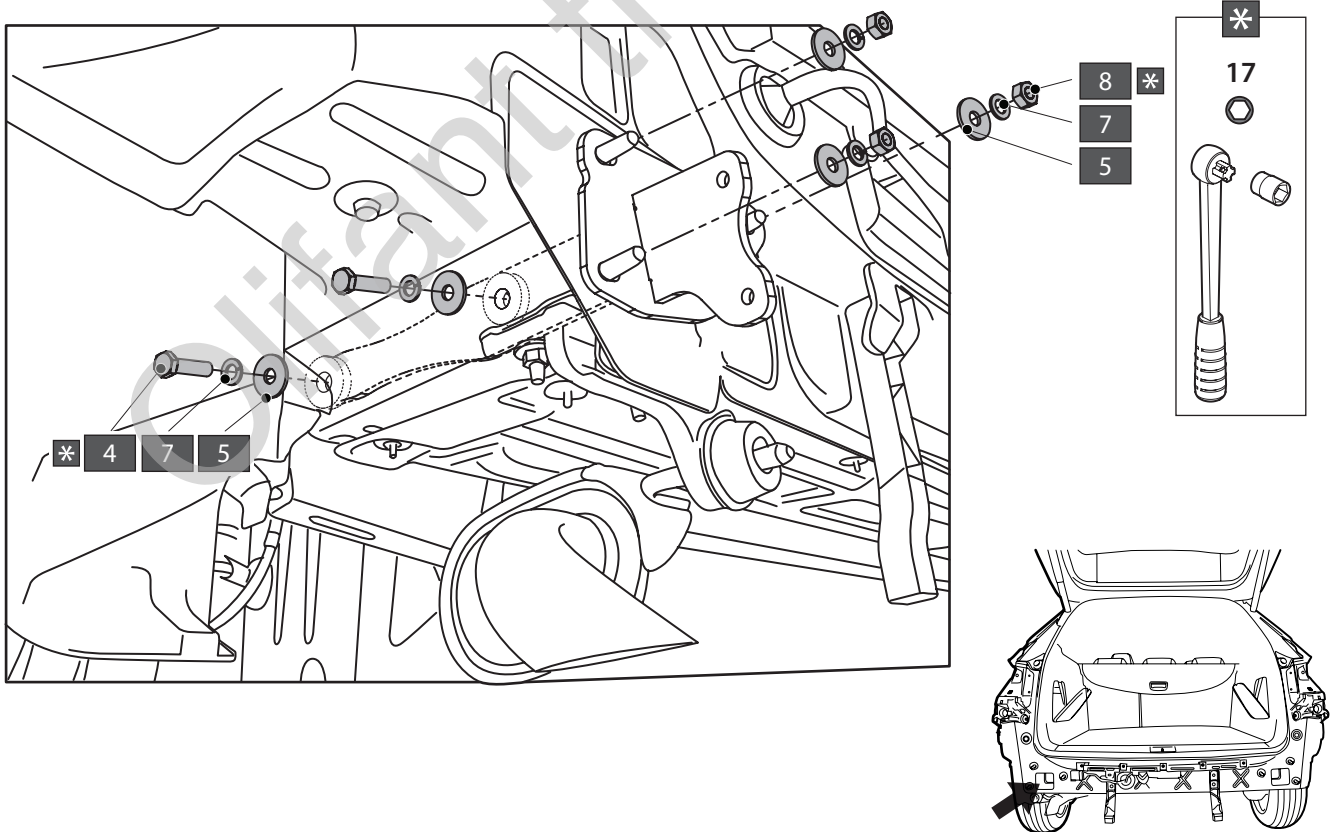
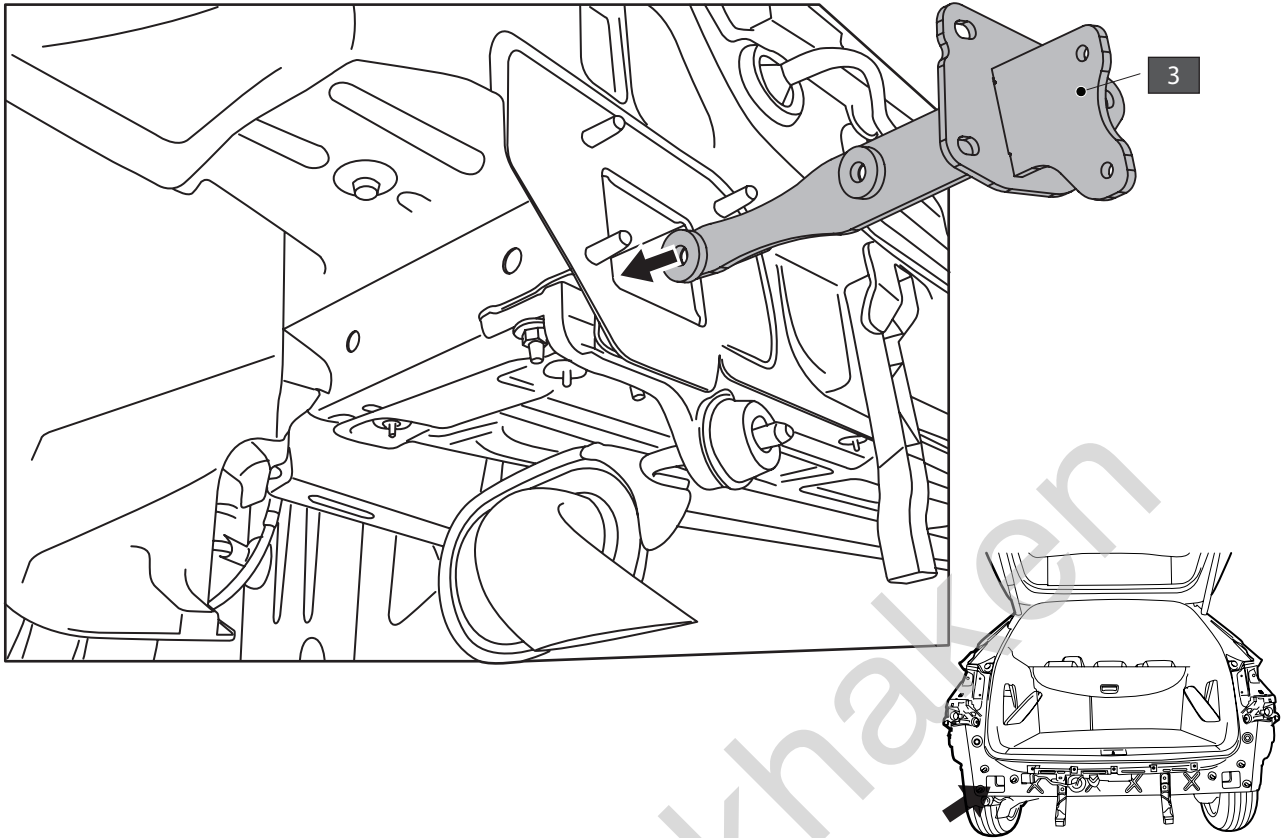
TX20

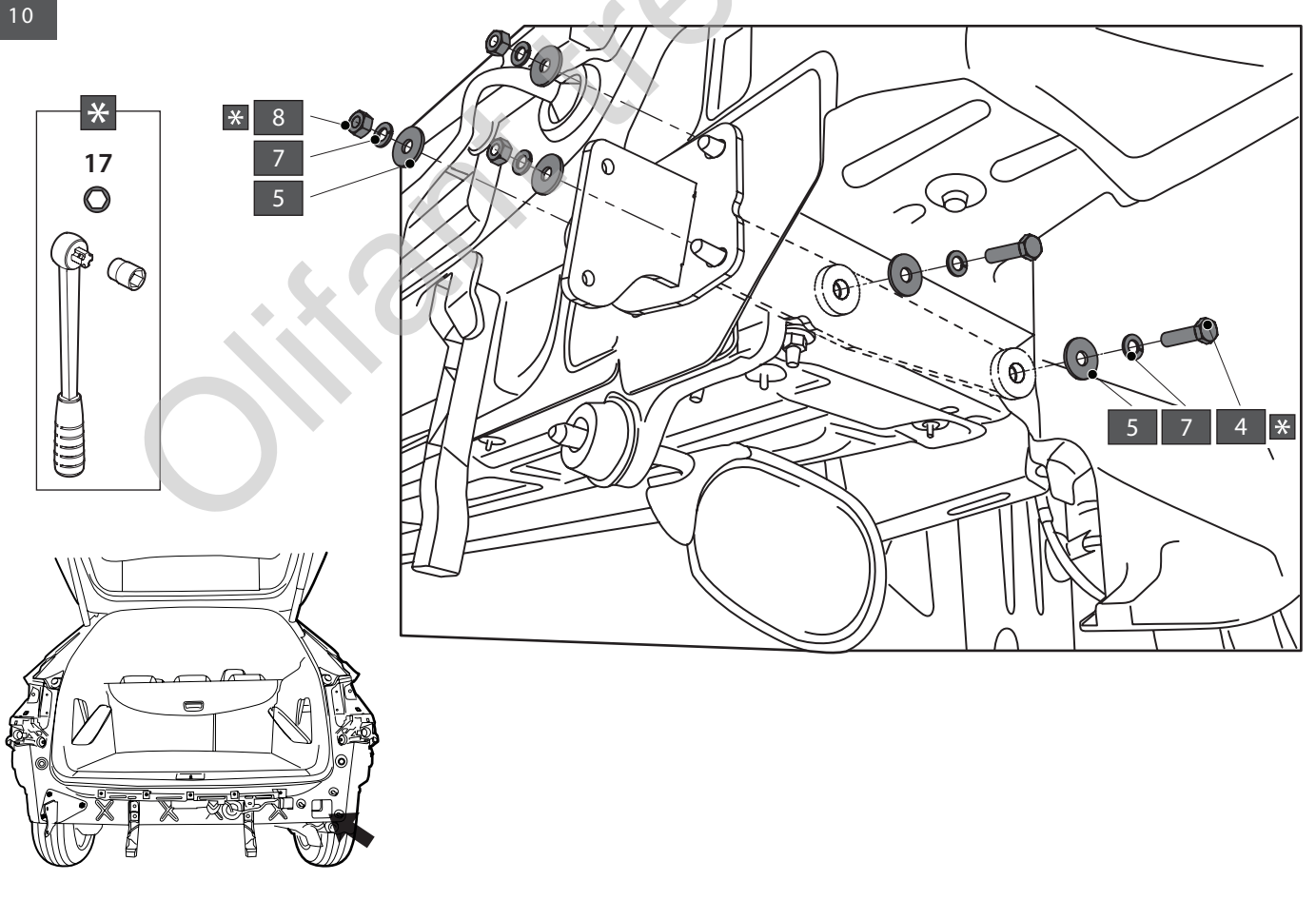
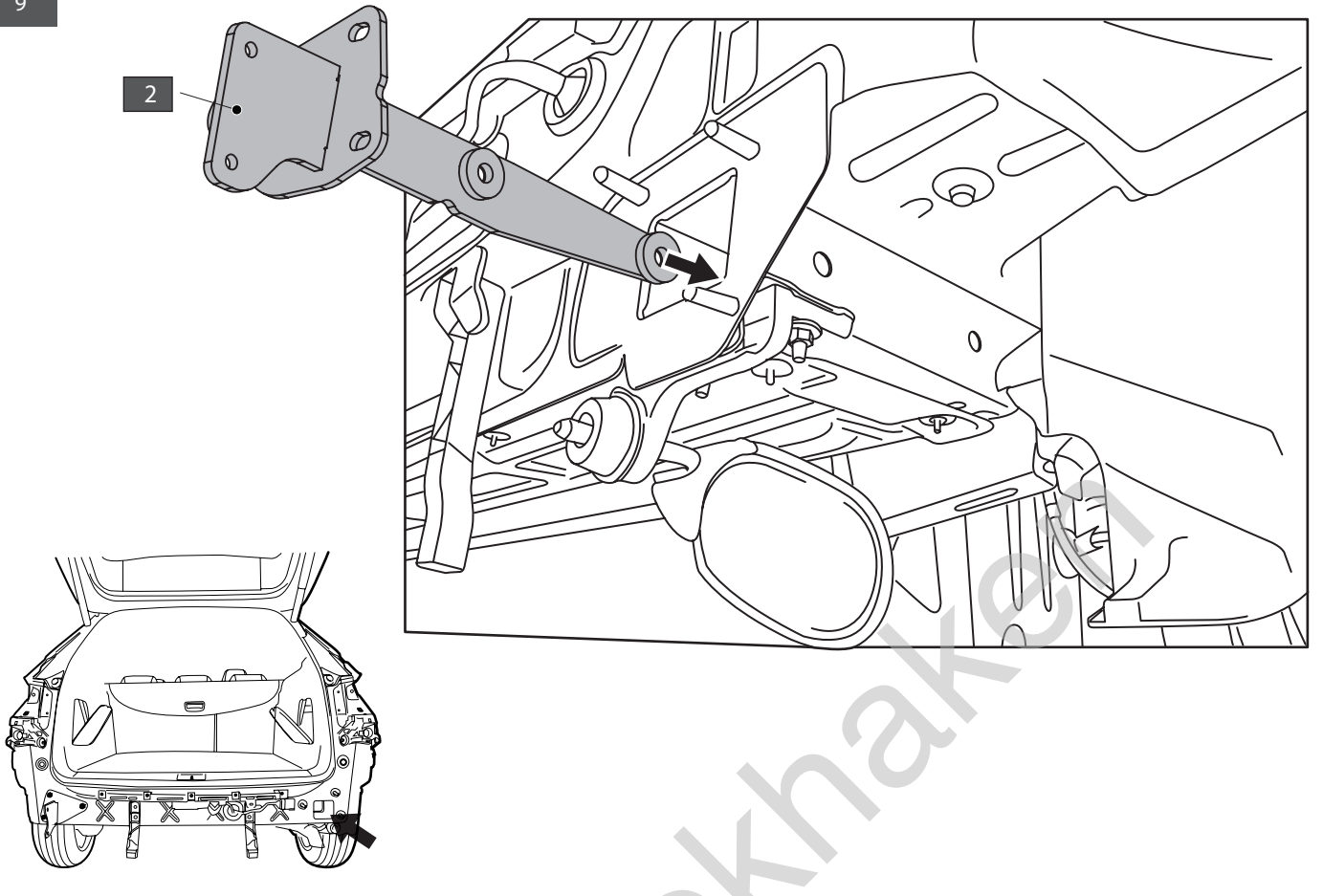


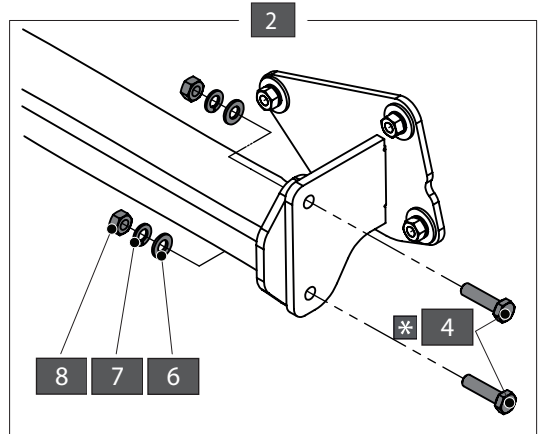
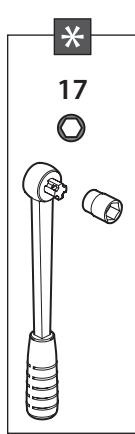
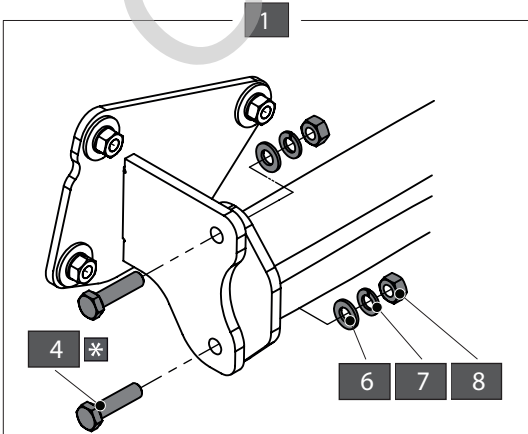
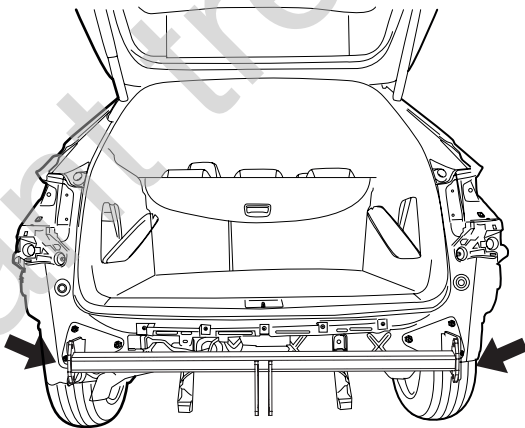
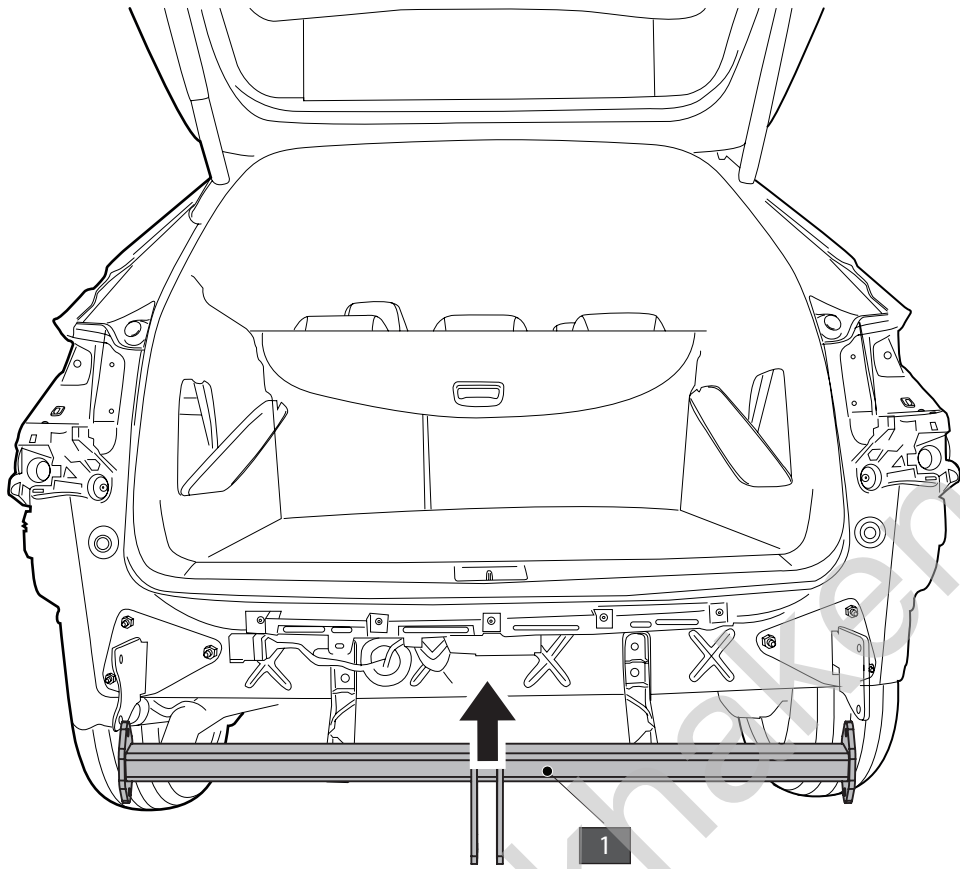
2



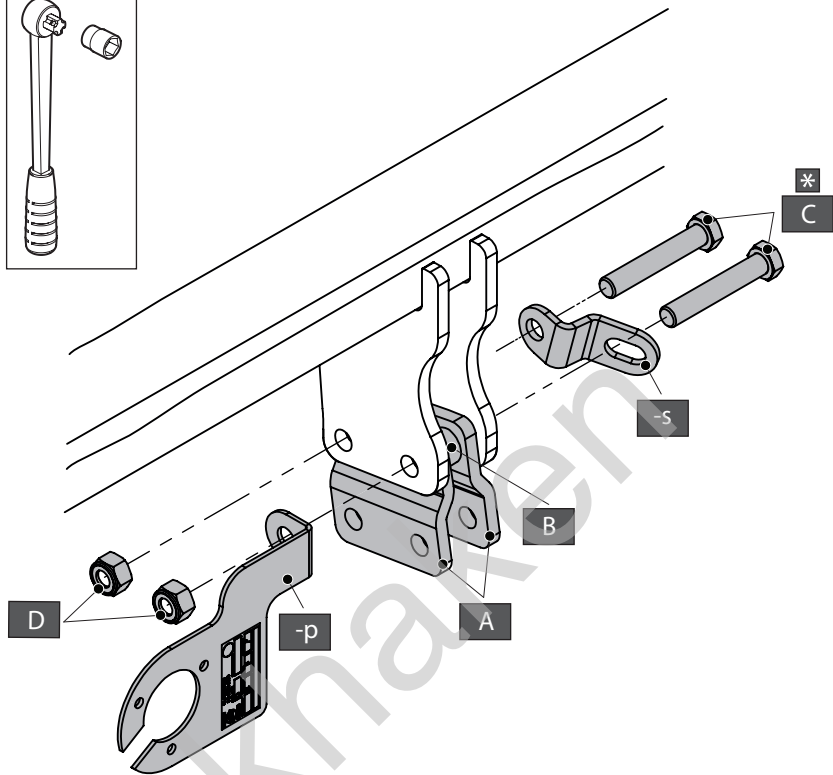
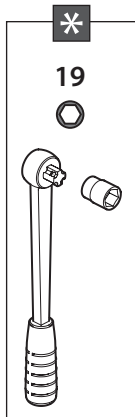
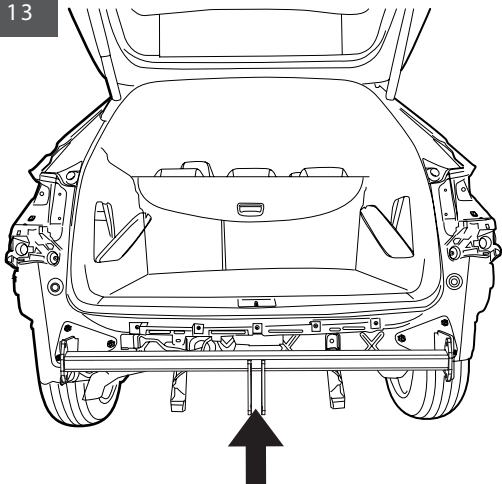


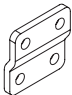

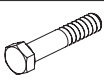
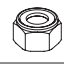





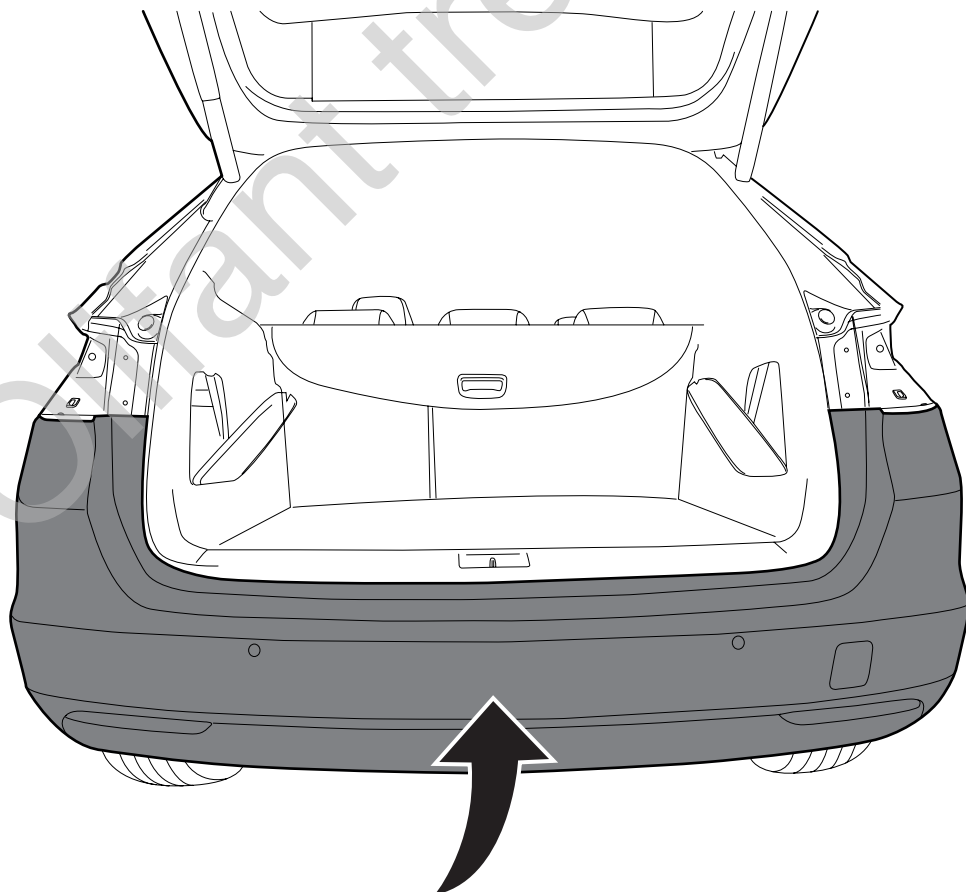


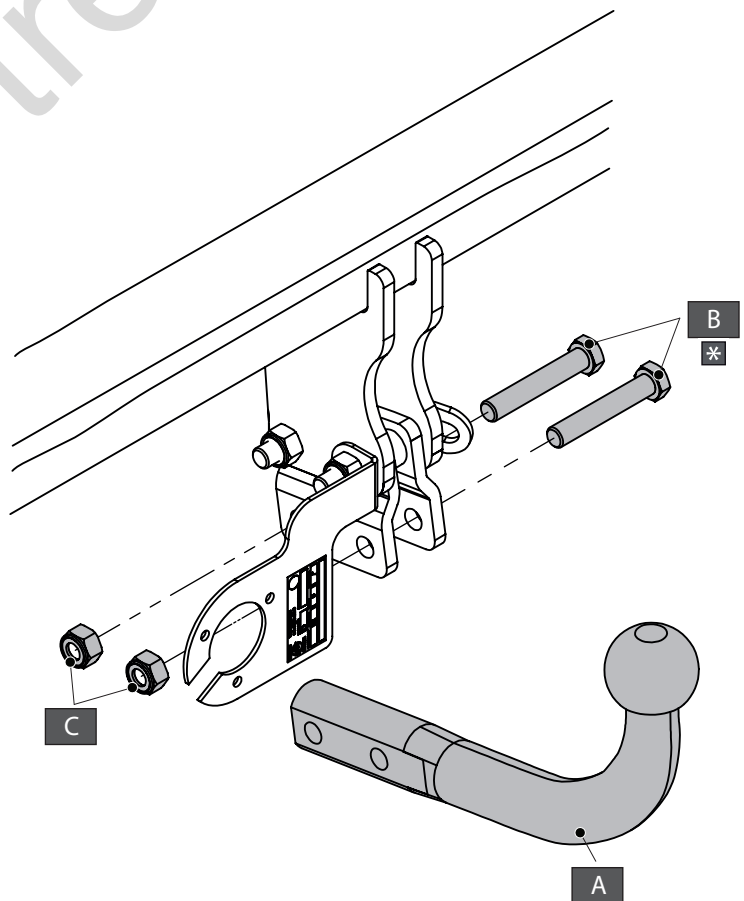
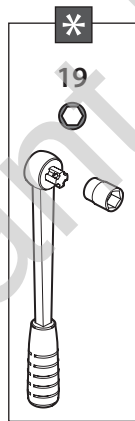
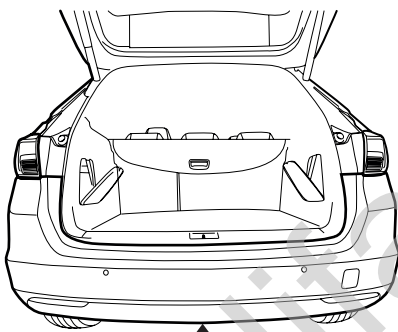
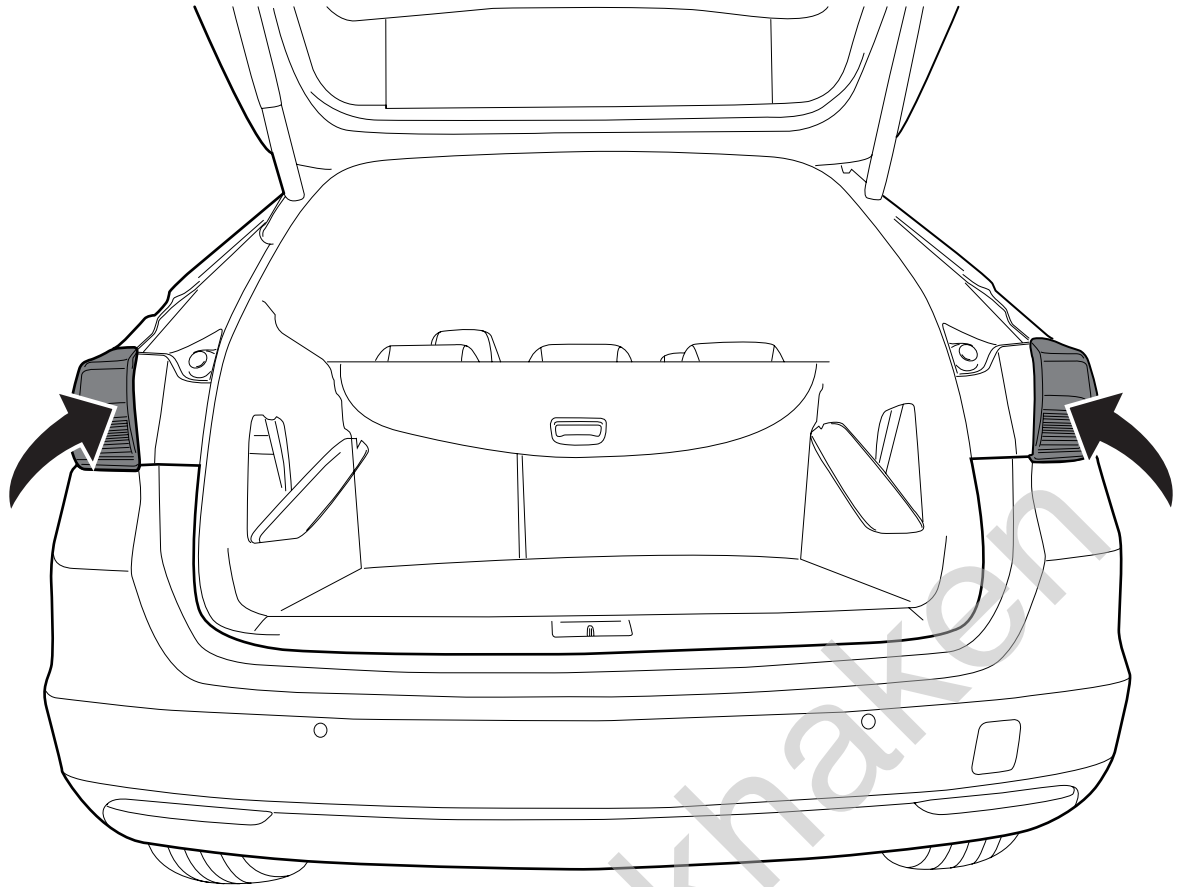
13

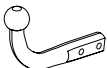




A		X2	GDW REF. 900.008
B		X2	GDW REF. 900.011 Ø 21.3 X 11.7
C		X2	DIN931-M12 X 70
D		X2	DIN985-M12
-S		X1	GDW REF. 900.053

14





- | | | | |
|---|---|----|-----------------|
| A |  | X1 | 944.M000 |
| B |  | X2 | DIN931 M12 X 70 |
| C |  | X2 | DIN985 M12 |

