

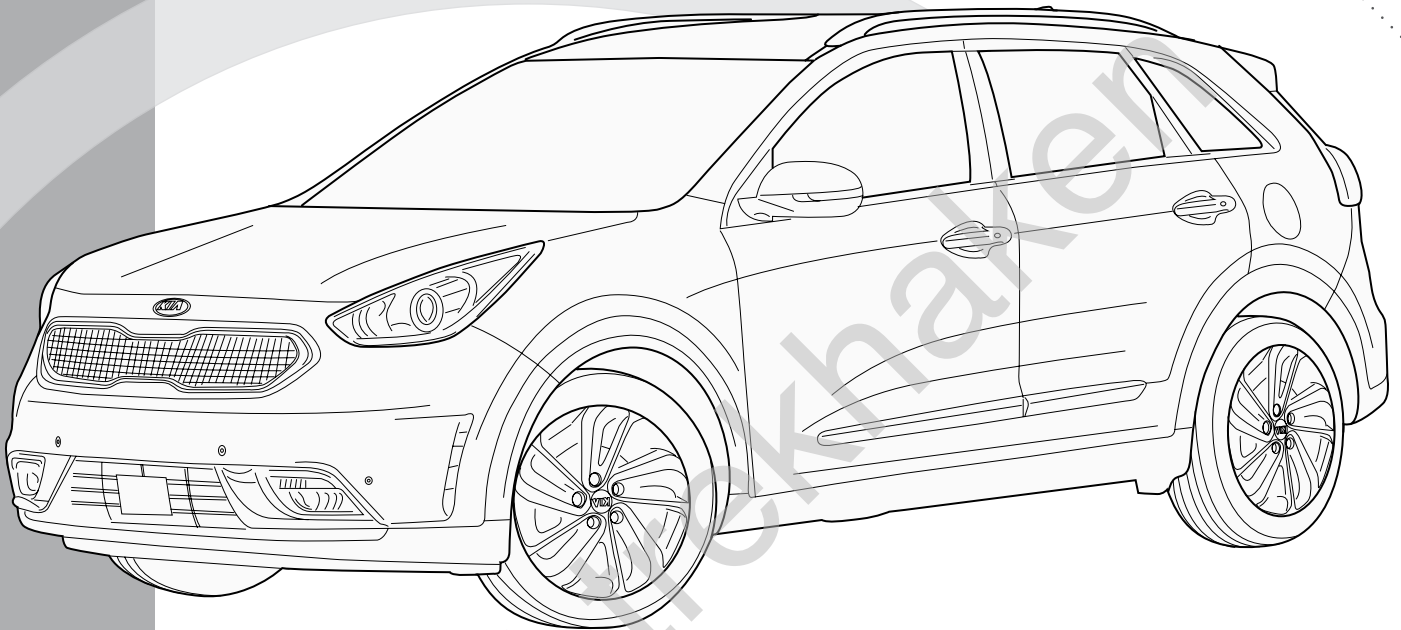


TREKHAKEN • ATTELAGES • ANHÄNGERVORRICHTUNGEN • TOWBARS • ENHANCES • ANHÆNGERTRÆK  
Montagehandleiding | instructions de montage | Einbauanleitung | Mounting instruction  
Instrucciones de montaje | monteringsvejledning



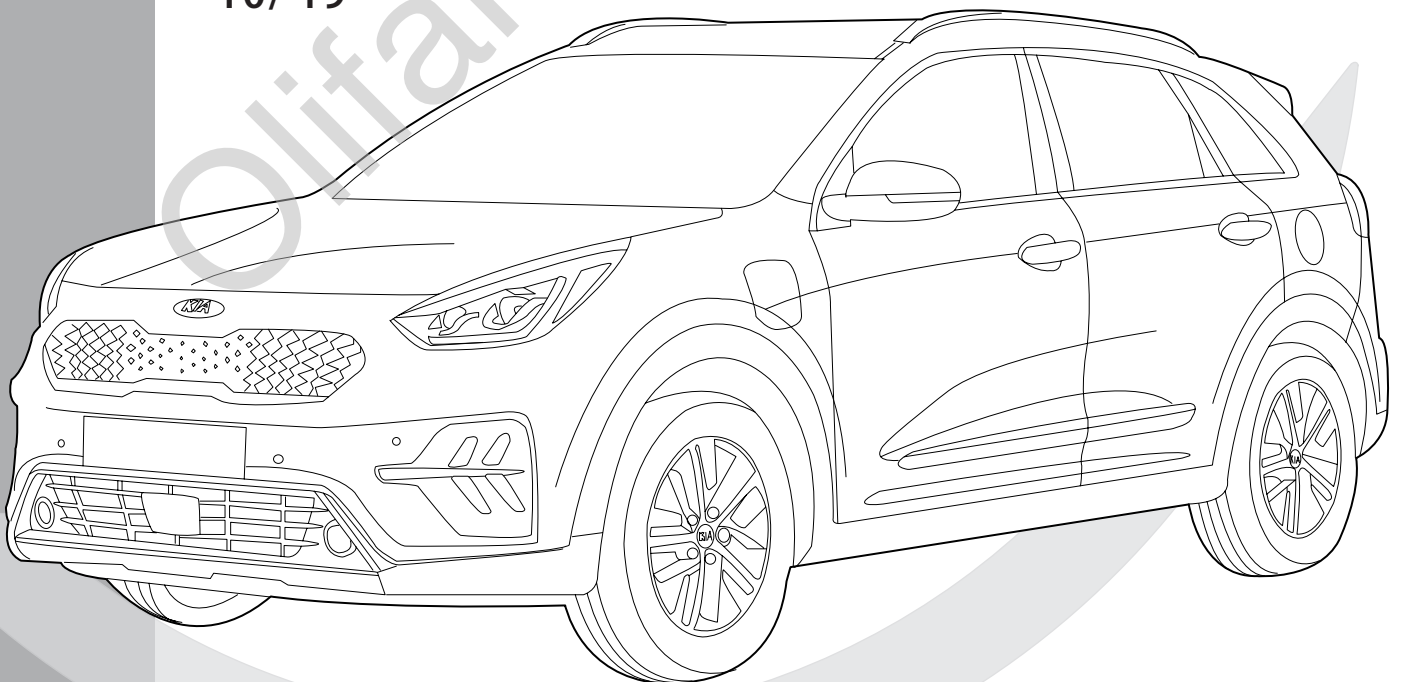
## Kia Niro

09/'16 - 09/'19



## Kia Niro (PLUG-IN HYBRID)

10/'19-




Gdw nv, Hoogmolenwegel 23 | B | 8790 Waregem | T +32 (0)56 60 42 12 | F +32 (0)56 60 01 93 | [gdw@gdwtowbars.com](mailto:gdw@gdwtowbars.com) | [www.gdwtowbars.com](http://www.gdwtowbars.com)

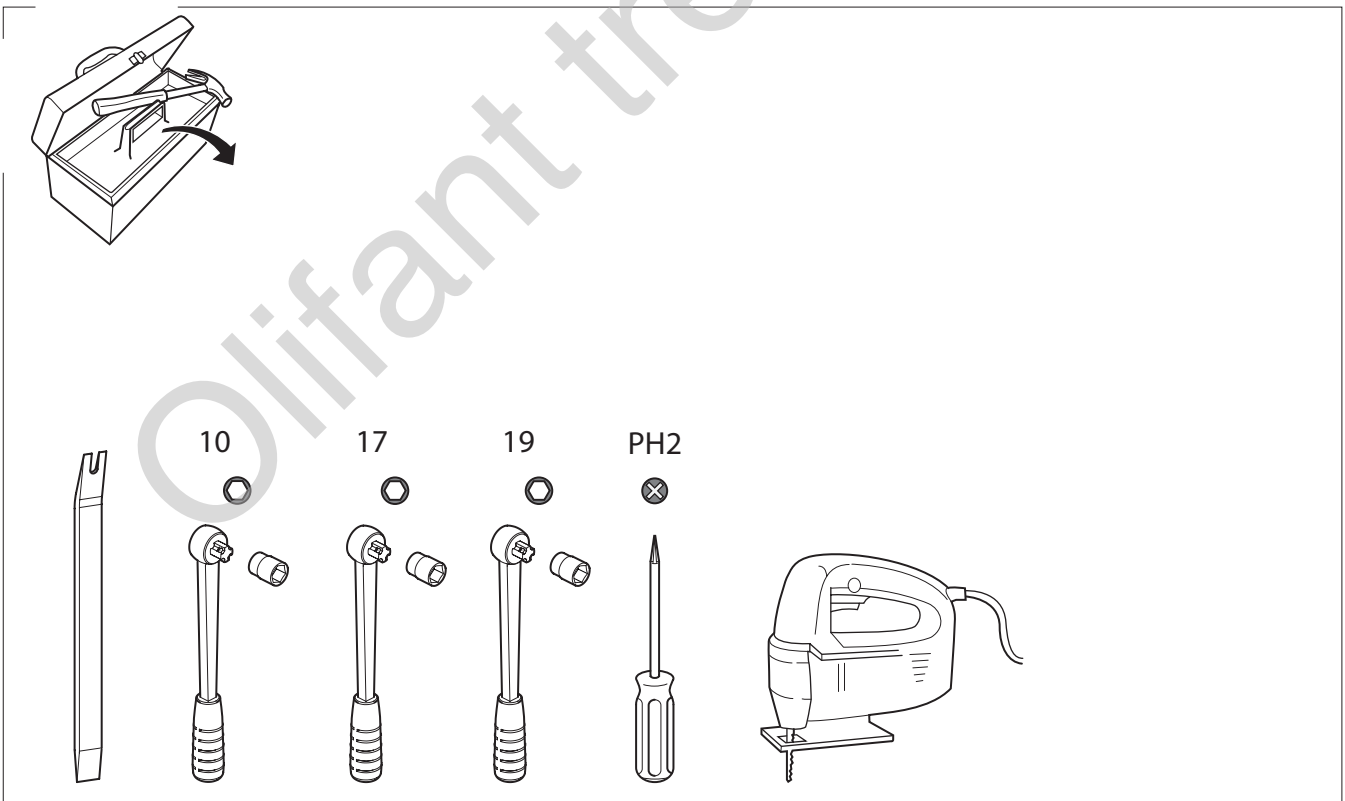
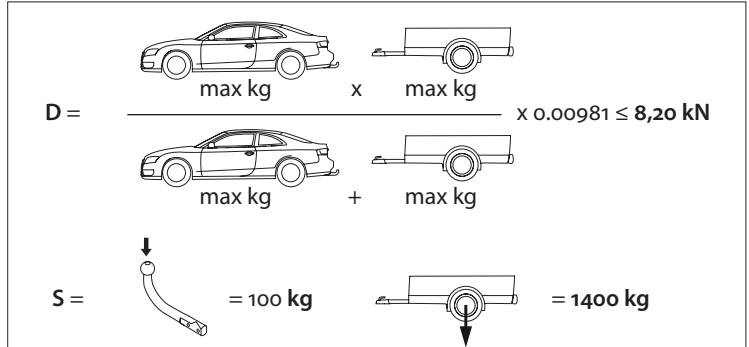
REVISIENUMMER 000 | N° REVISION 000

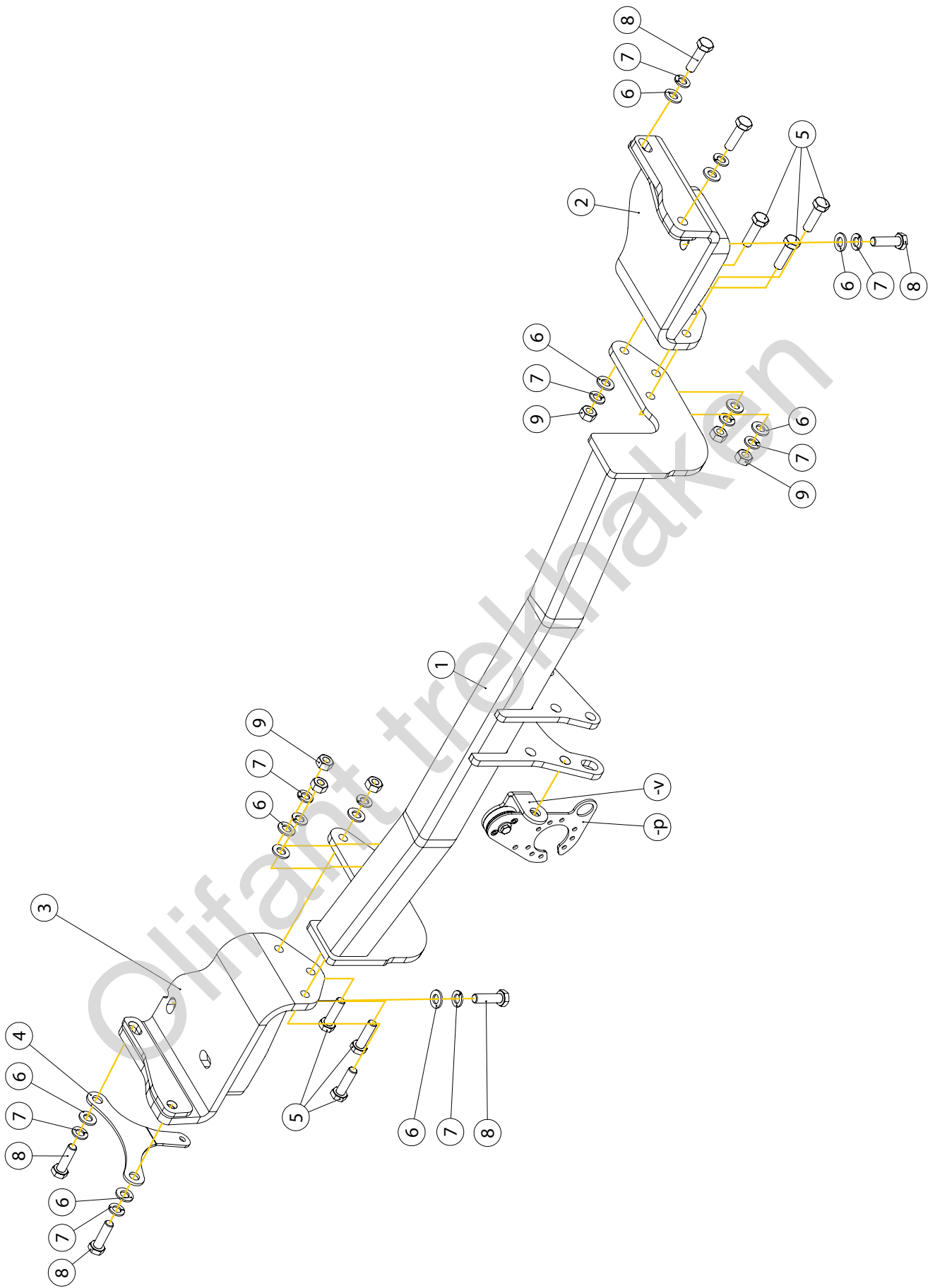
04•09•2019

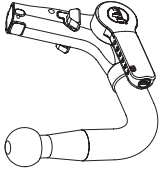

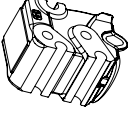




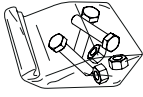




2147T60

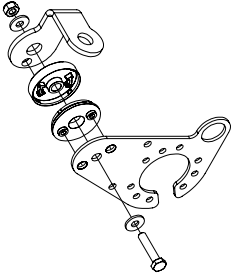




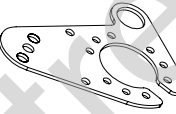


See the Certificate Of Conformity (COC) of your vehicle or contact your dealer to verify the max. trailer weight of your car!

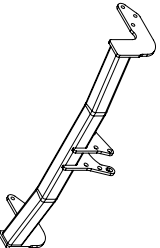
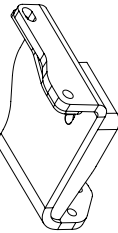
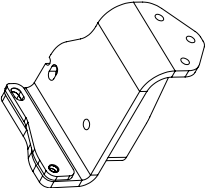







MADE BY	D 8,20	F	E6
			
BELGIUM	S 100	EC APPROVAL N°	55R-011537
REF N°	2147T60	SERIE N°	
OMSCHRIJVING			
Kia Niro '16 - '19 & Kia Niro Plug-in Hybrid '19 -			






Geleverd met - Livré avec - Delivered with Geliefert mit - Elementos adjuntos-Leveres med	X1		GDW REF. 960.10808
	X1		GDW REF. 740.200
	X1		GDW REF. 912.003
	X1		GDW REF. 740.112
	X1		GDW REF. 740.111
	X1		GDW REF. 740.114
	X1		GDW REF. 718.15.001
	X1		GDW REF. SYST60-10
	X3		DIN931-M12X110-8.8
	X3		DIN128A-M12
X6		DIN125A-M12	
X3		DIN934-M12	

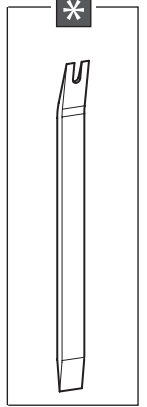
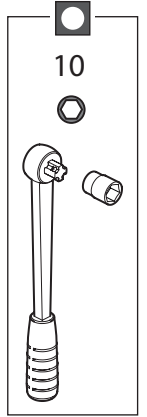
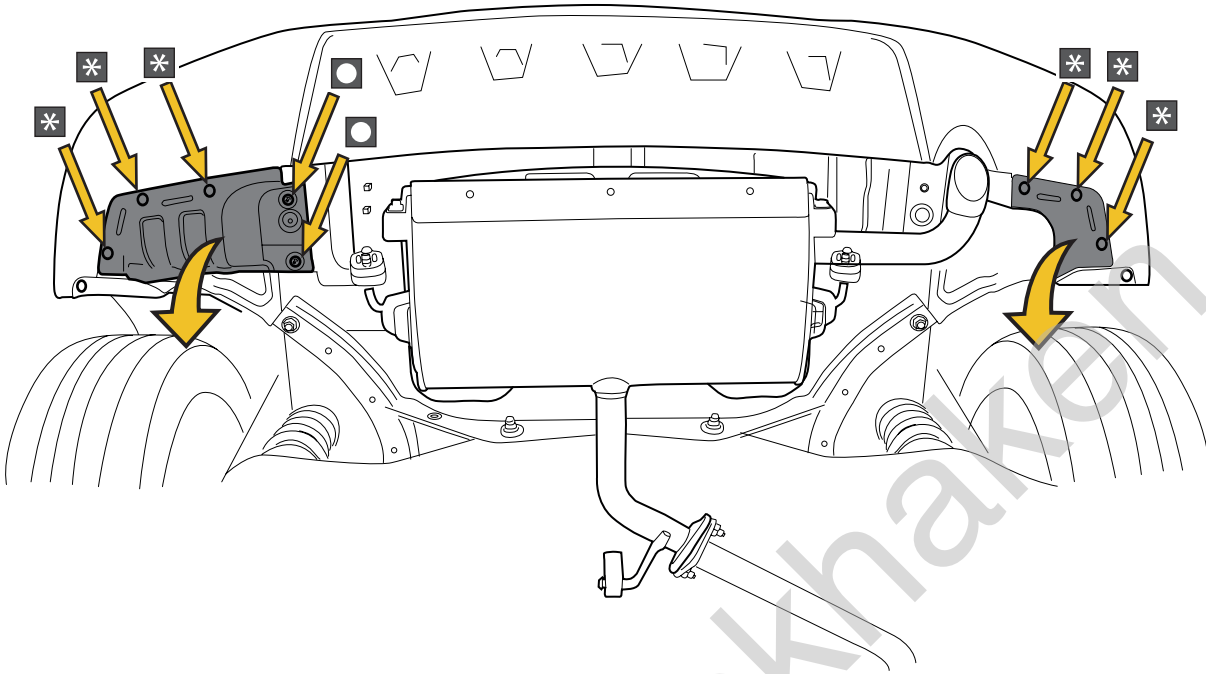
P	X1		GDW REF. P39
	X1		DIN985-M6
	X2		6,2 X 15,4 X 1,6 (NYLON)
	X1		GDW REF. 718.16.002
	X1		GDW REF. 718.16.003
	X1		GDW REF. 908.094
	X1		DIN933-M6 X 30
	X1		GDW REF. 908.095

1	X1		GDW REF. 2147T60
2	X1		GDW REF. 2
3	X1		GDW REF. 3
4	X1		GDW REF. 4
5	X6		DIN 933-M10X35 10.9
6	X12		DIN 125-A10-140HV-ELVZ
7	X12		DIN128A-M10
8	X6		DIN961-M10X40 1.25
9	X6		DIN934-M10 - KL10
-V	X1		GDW REF. 908.095

↳	X1		GDW REF. 749.02.07502200
---	----	---	--------------------------

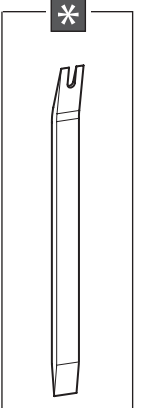
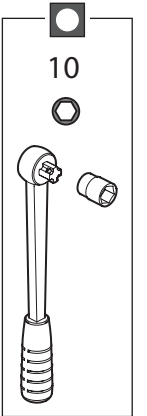
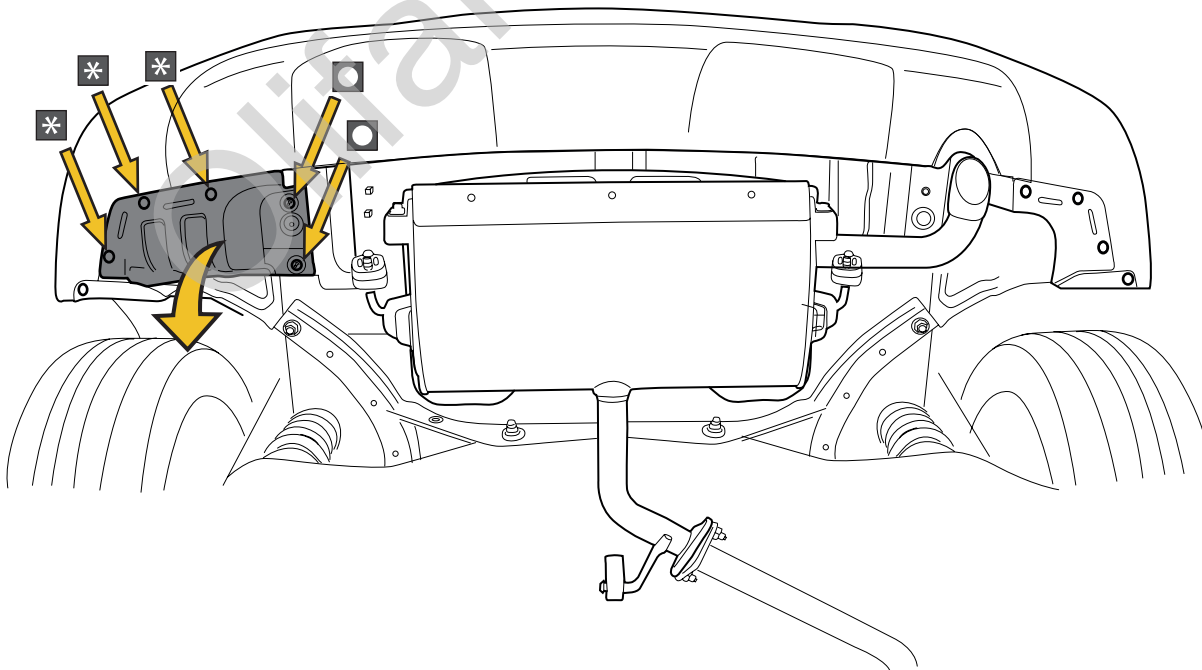
1

# NIRO '16 - '19



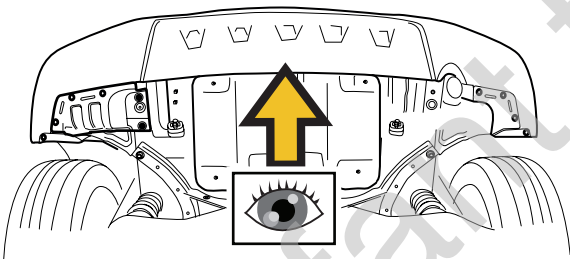
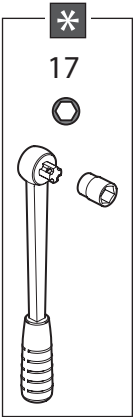
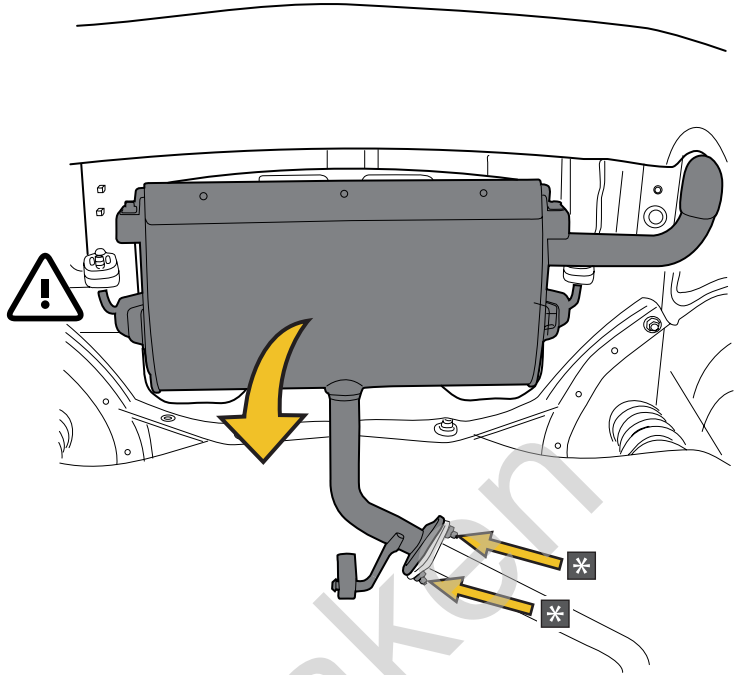
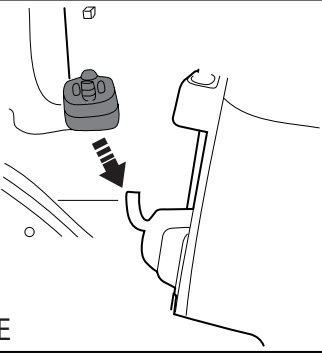
2

# NIRO '19 -





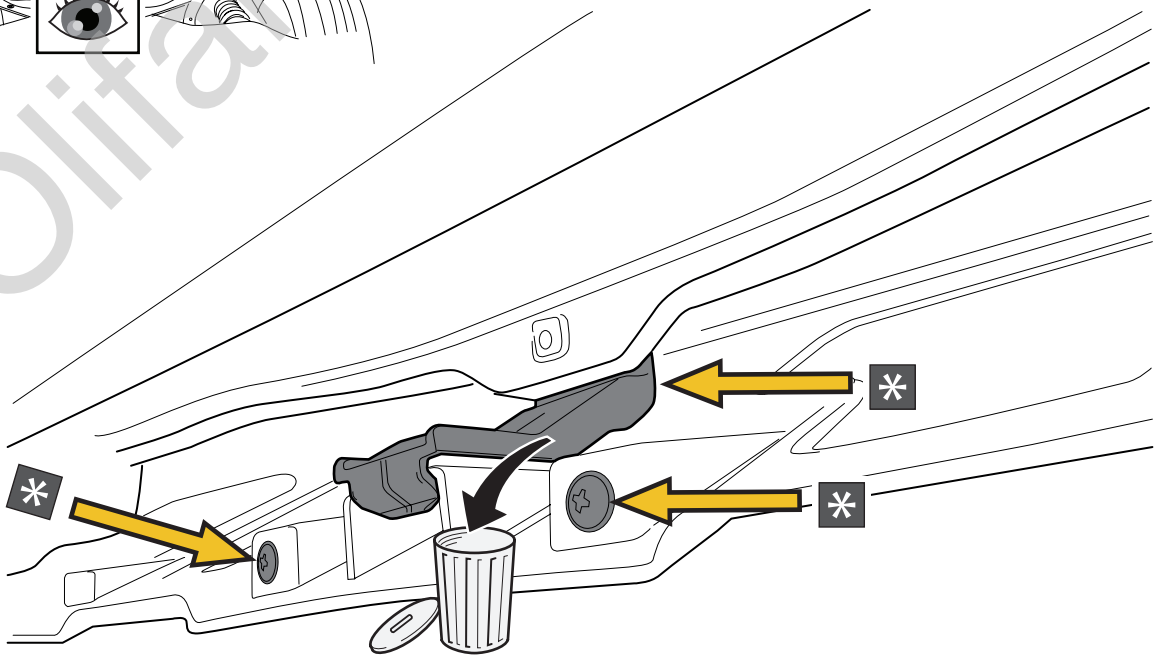
RUBBERS MUST STAY ON VEHICLE



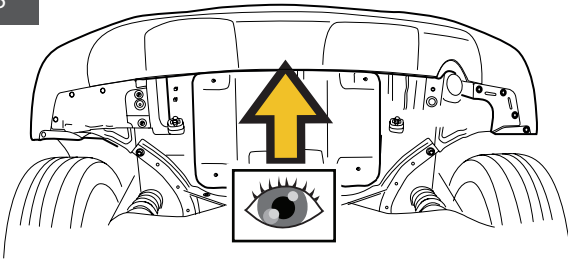
NIRO '16-'19



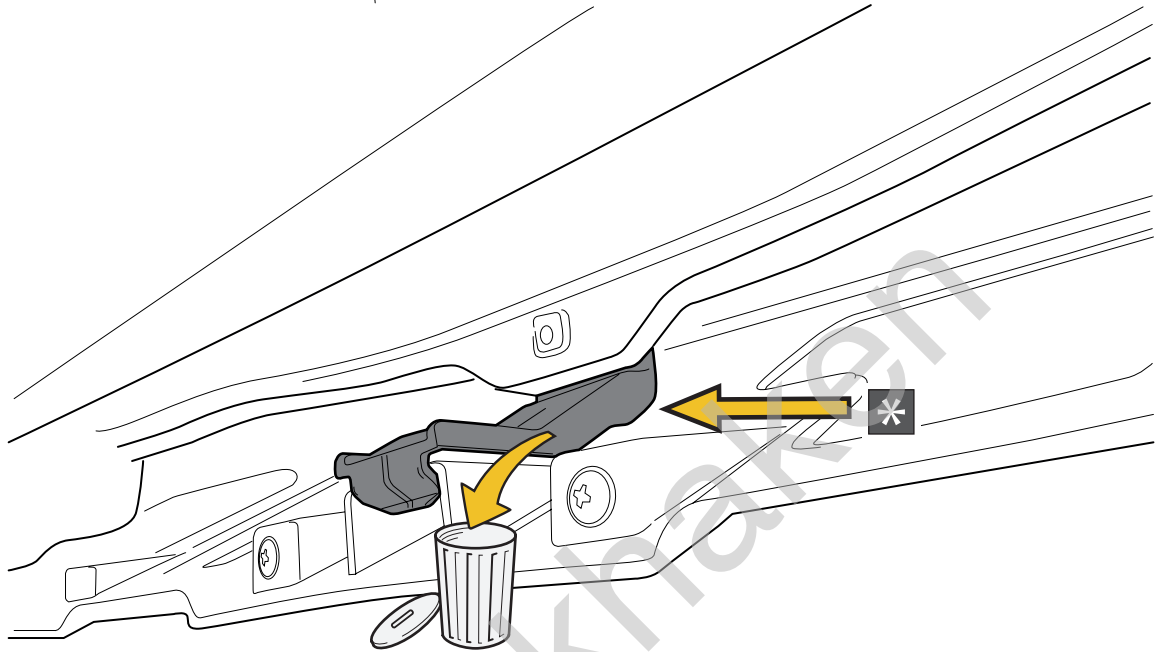
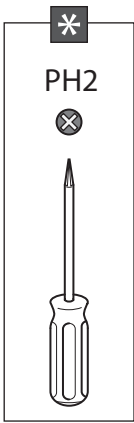
PH2



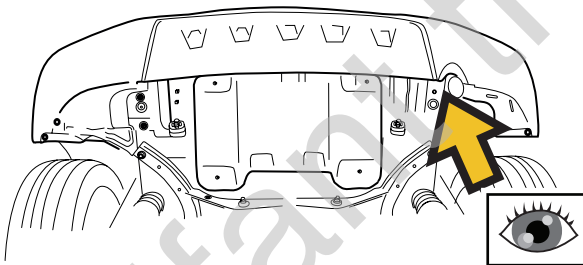
5



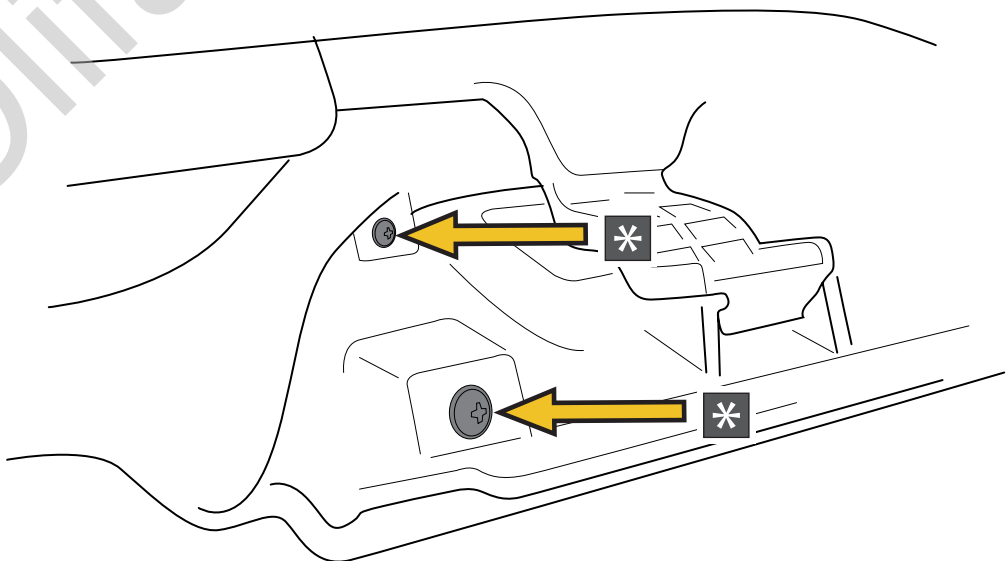
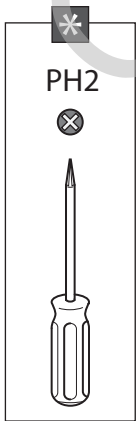
NIRO '19 -



6

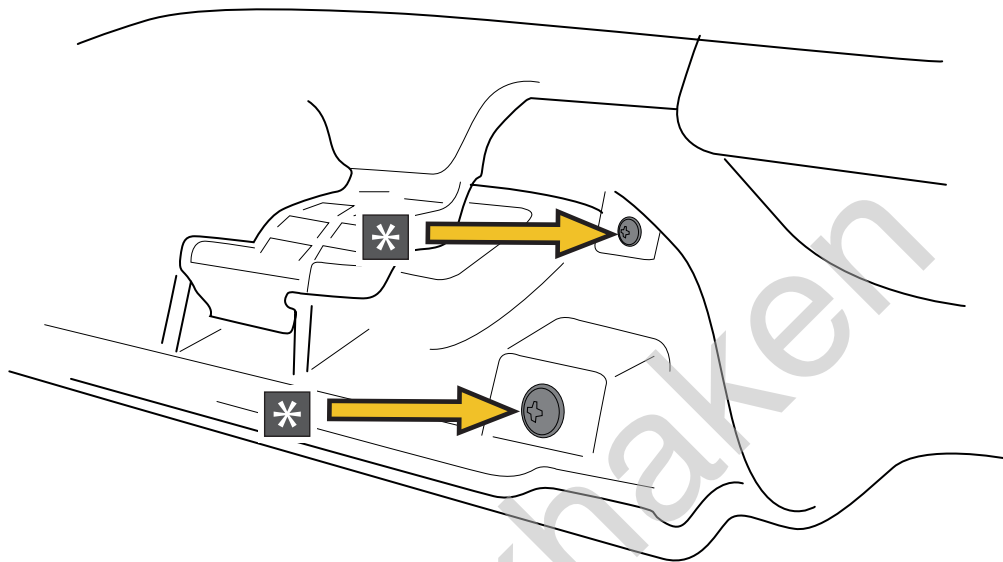
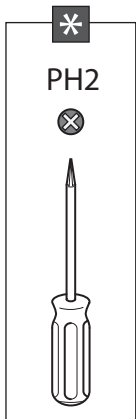
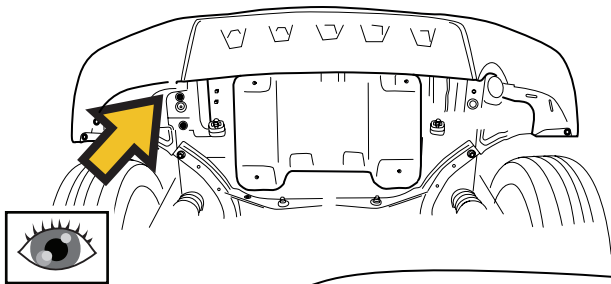


NIRO '16 - '19

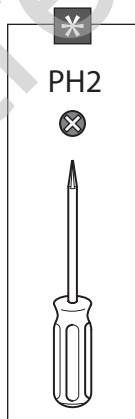
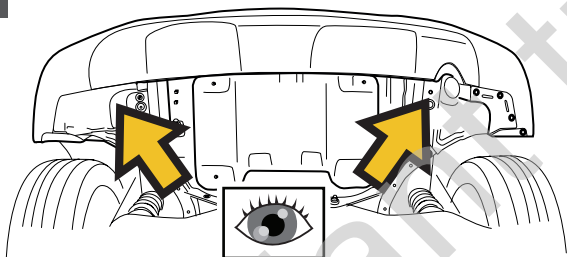


7

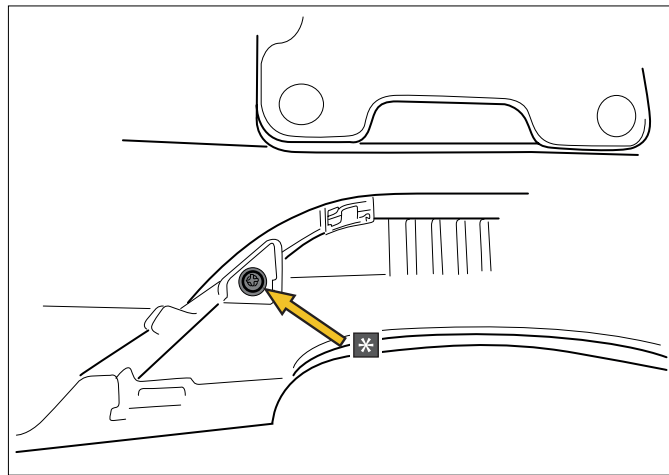
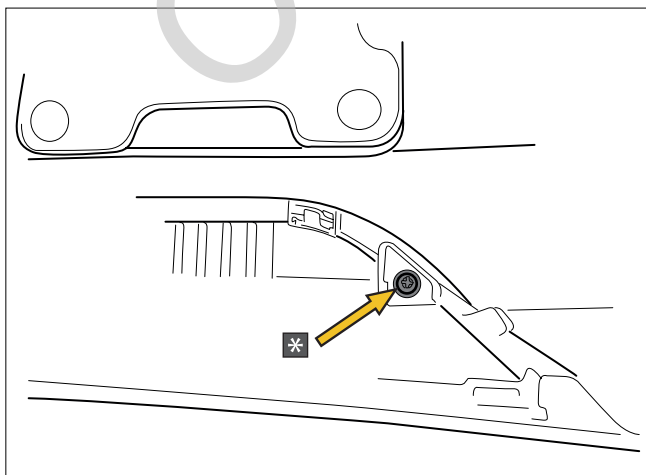
NIRO '16 - '19



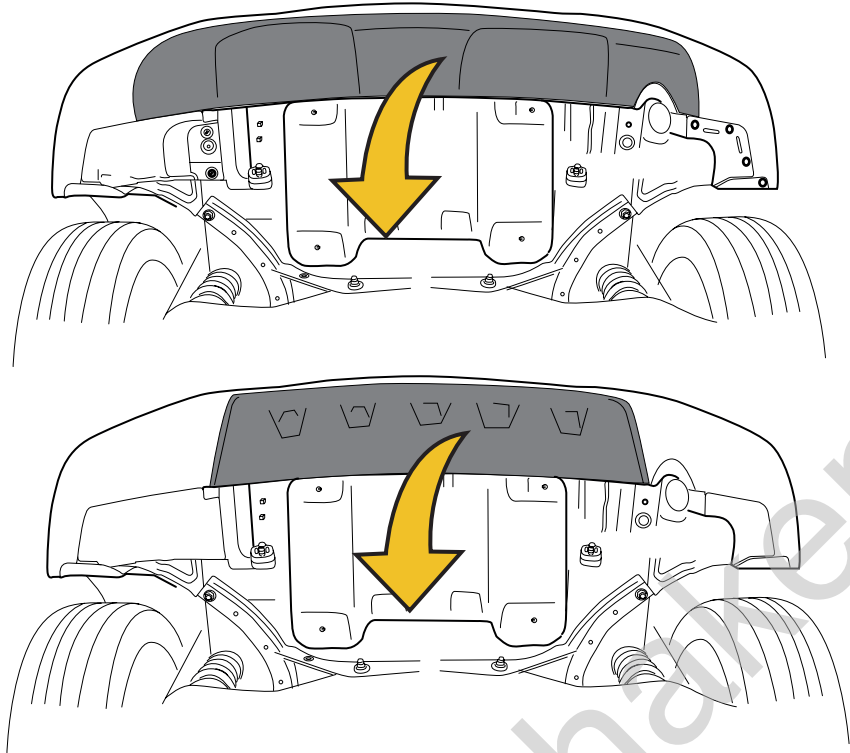
8



NIRO '19 -

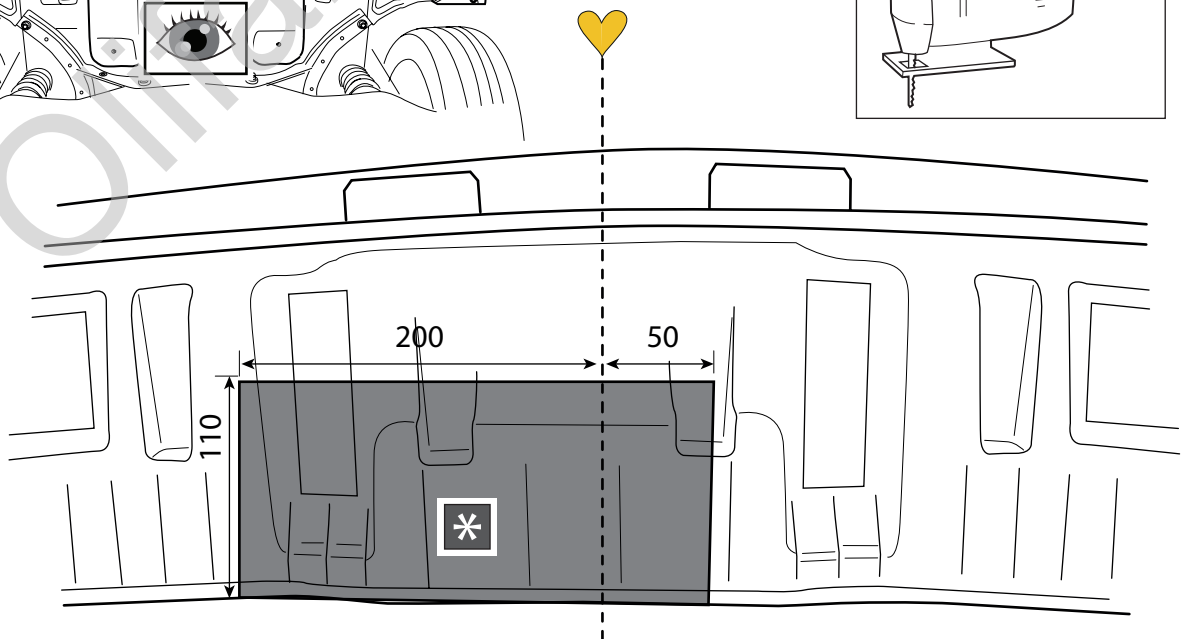
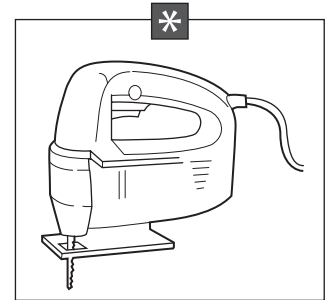
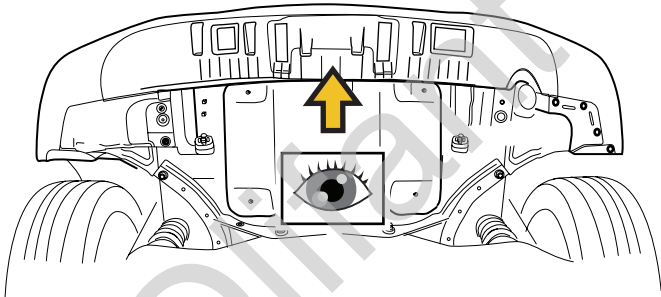






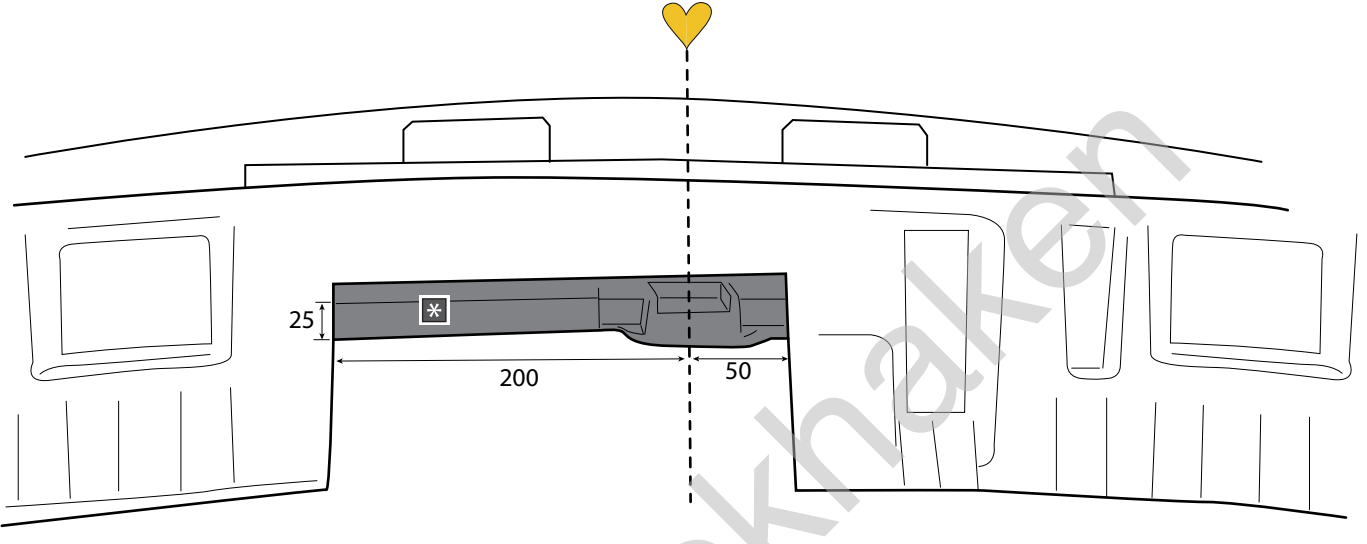
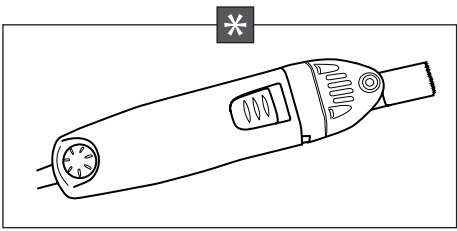
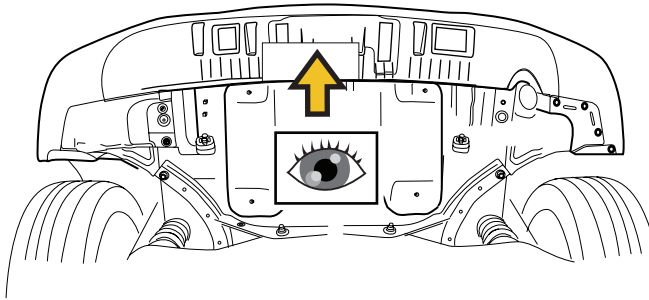
NIRO '16 - '19

NIRO '19 -

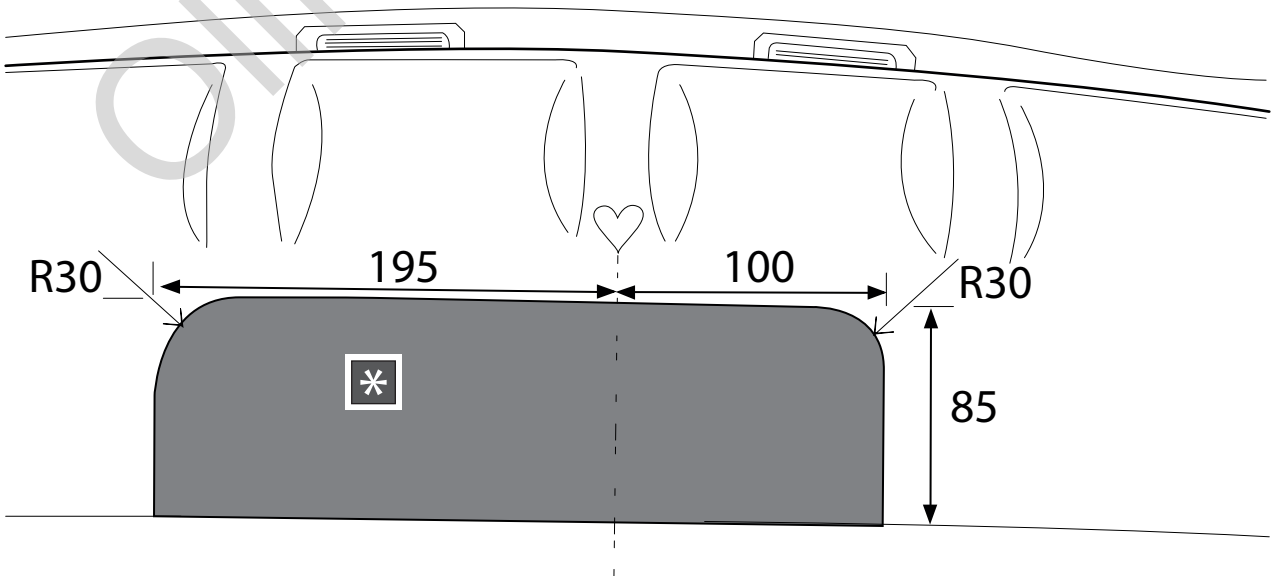
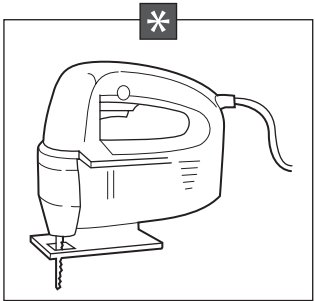
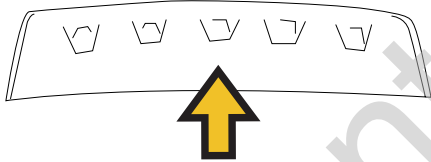


NIRO '16 - '19

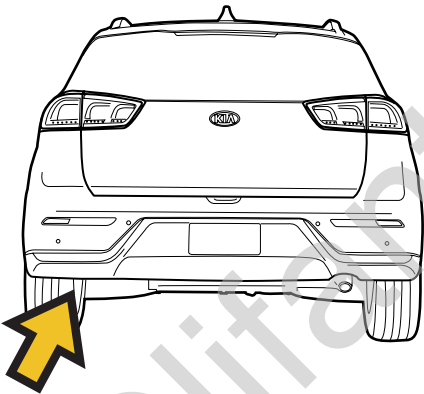
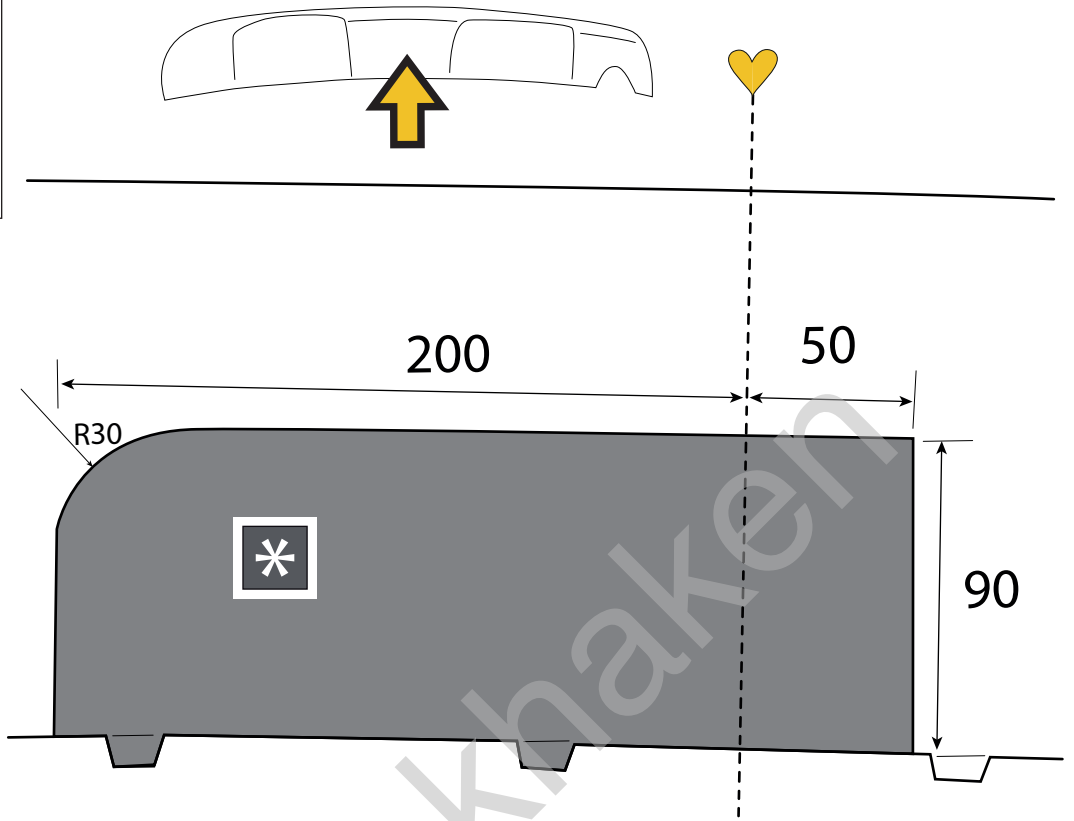
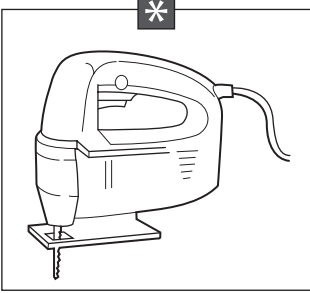
NIRO '19 -



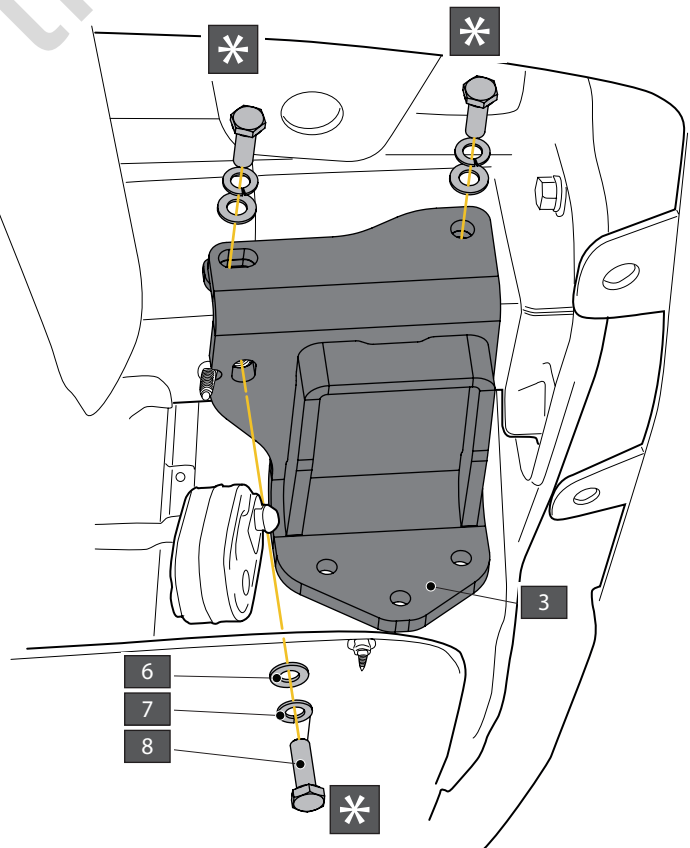
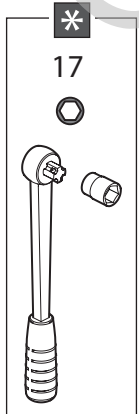
NIRO '16 - '19

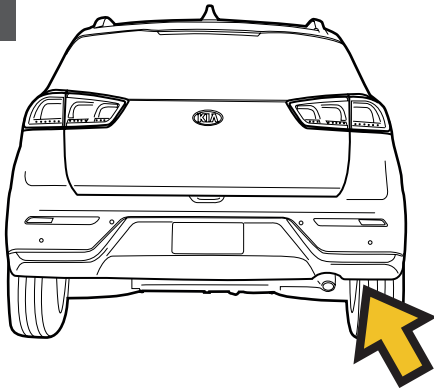


NIRO '19 -

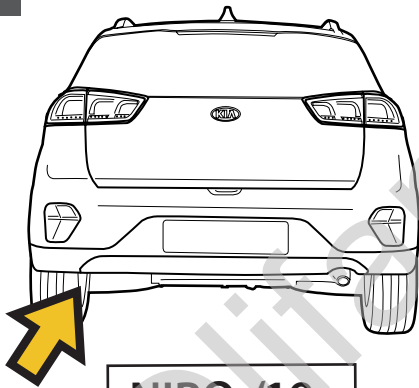
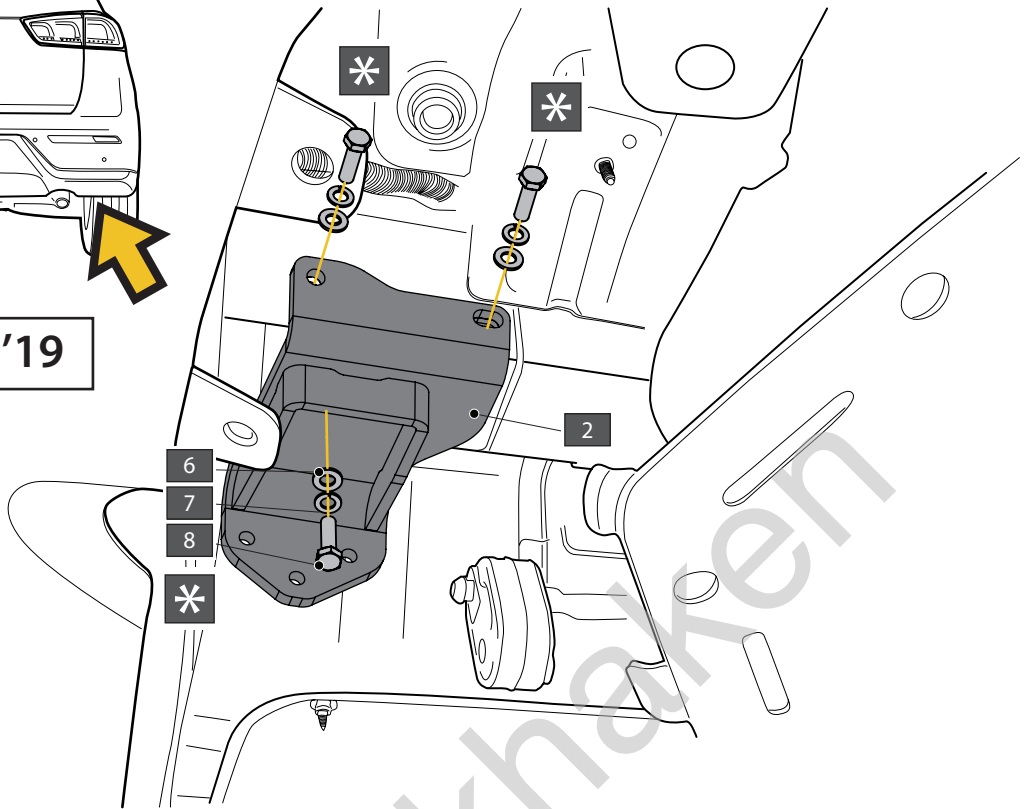
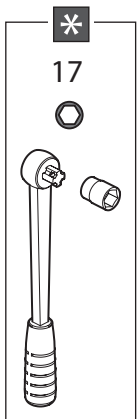


NIRO '16 - '19

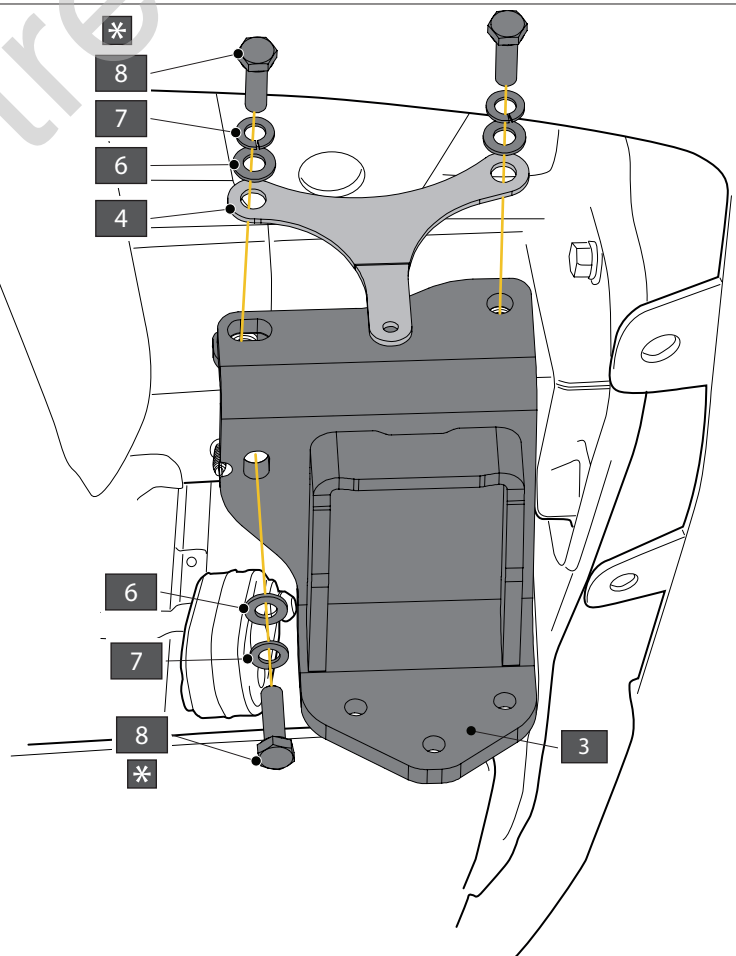
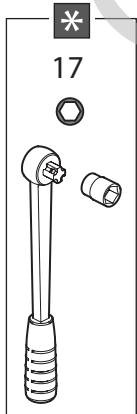


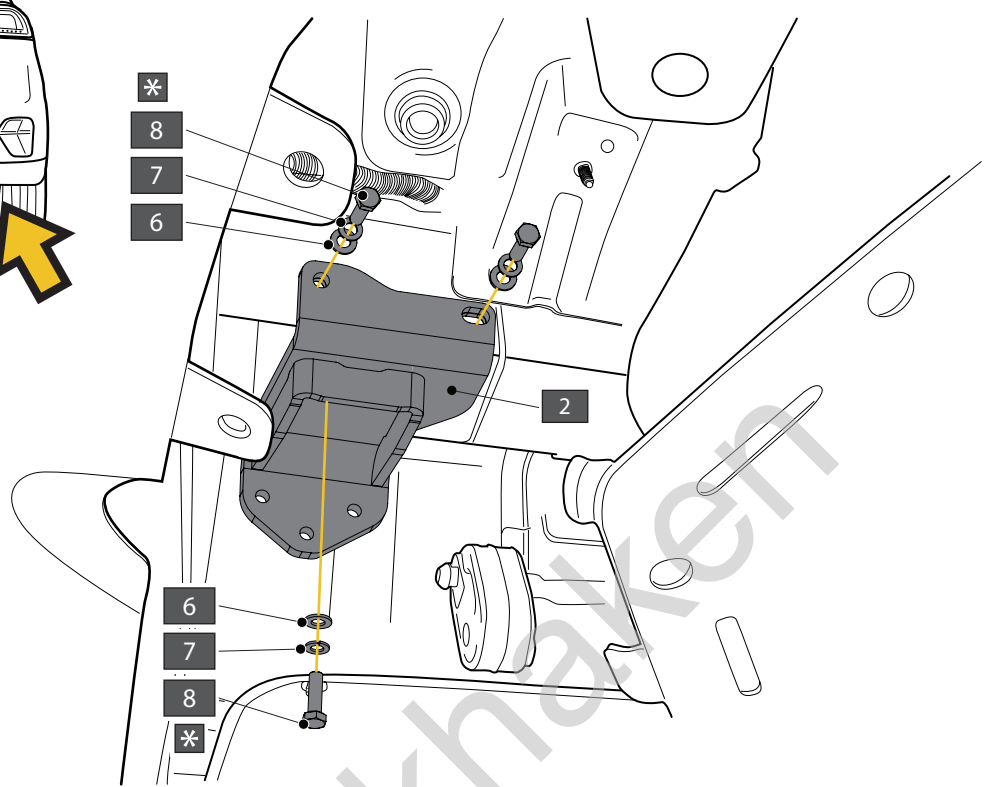
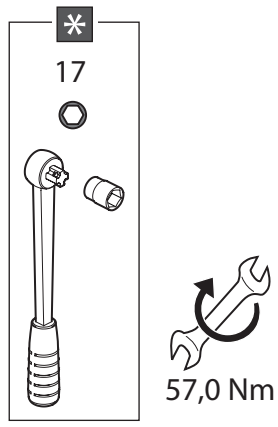
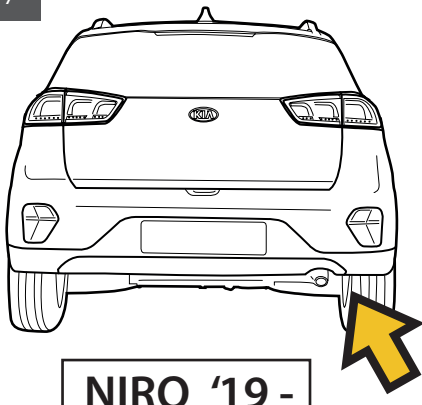


NIRO '16 - '19

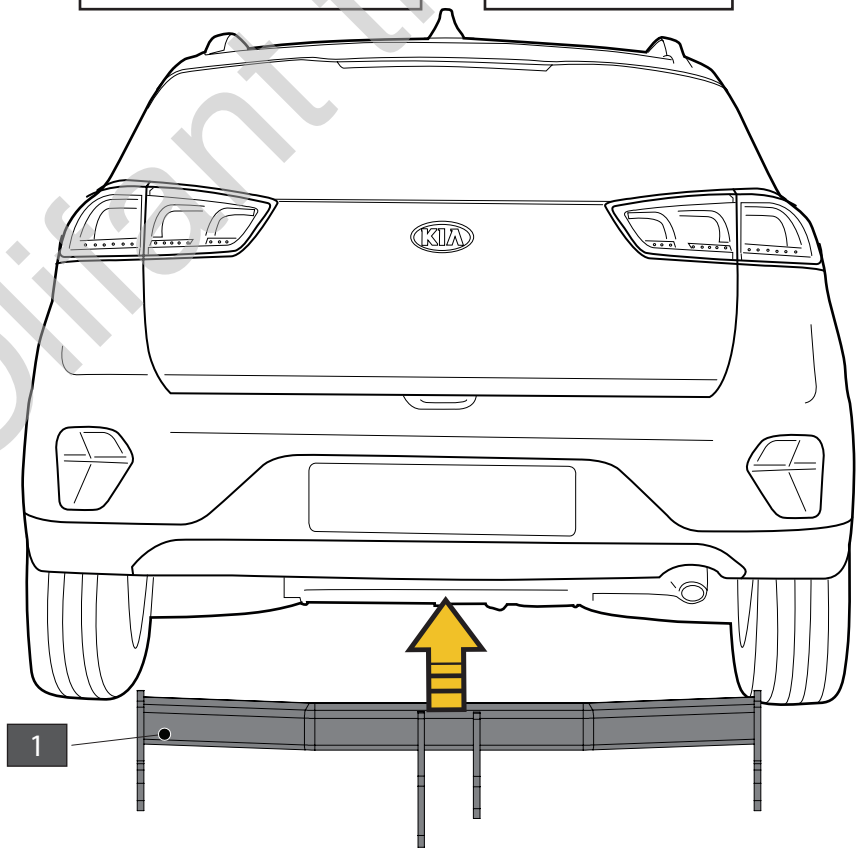


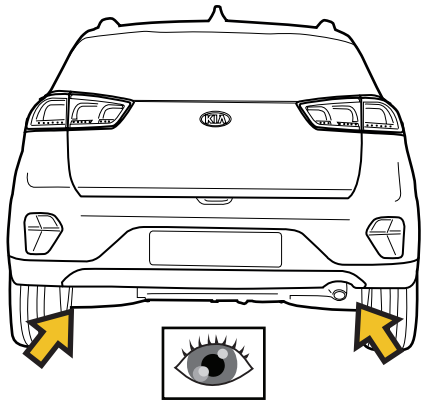
NIRO '19 -





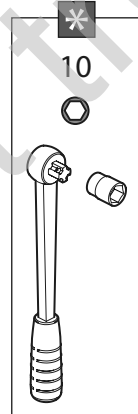
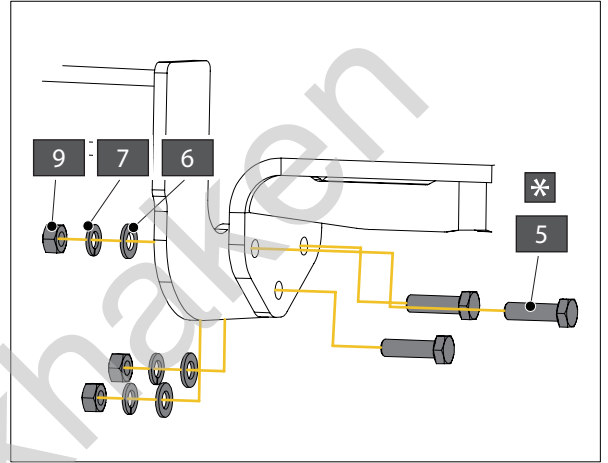
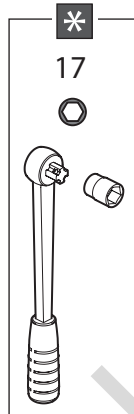
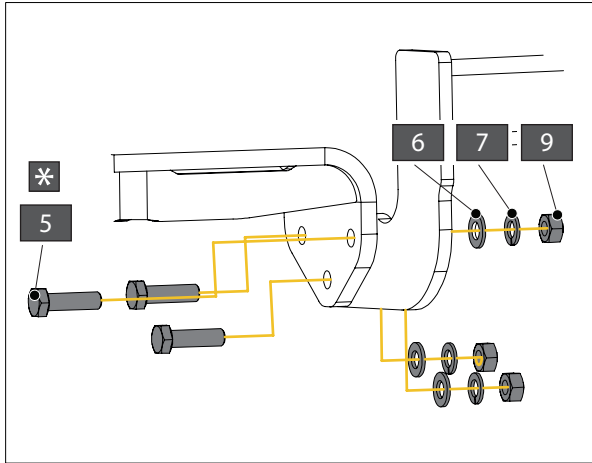
NIRO '16 - '19      NIRO '19 -



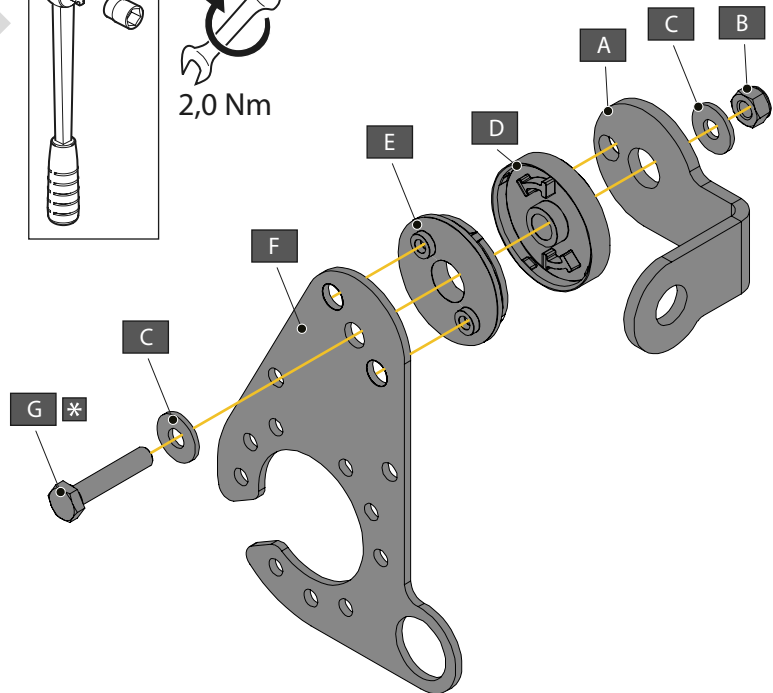


NIRO '16 - '19

NIRO '19 -

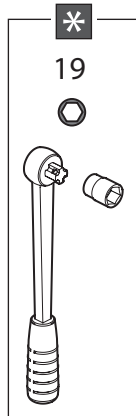


A		X1	GDW REF. 908.095
B		X1	DIN985-M6
C		X2	6,2 X 15,4 X 1,6 (NYLON)
D		X1	GDW REF. 718.16.002
E		X1	GDW REF. 718.16.003
F		X1	GDW REF. 908.094
G		X1	DIN933-M6 X 30

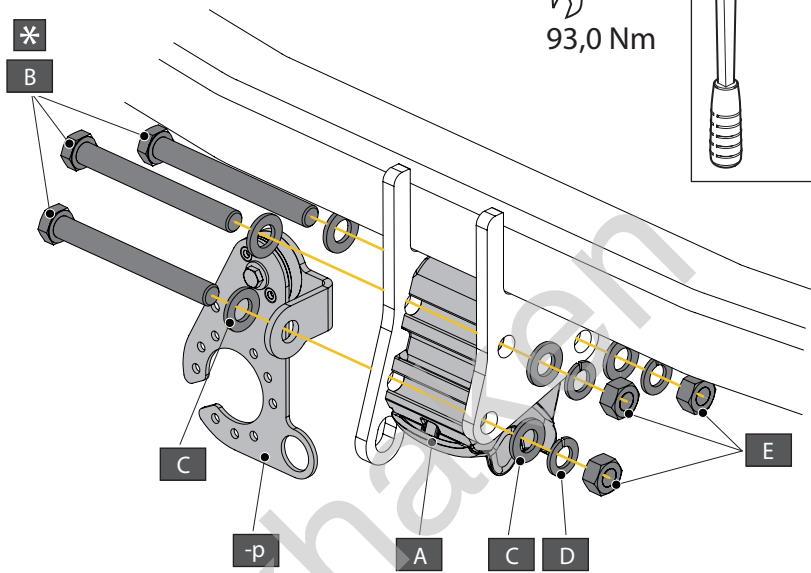


NIRO '16 - '19

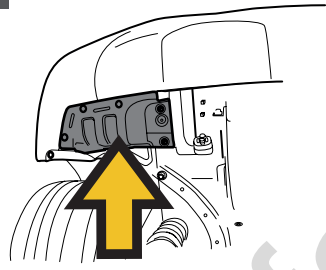
NIRO '19 -



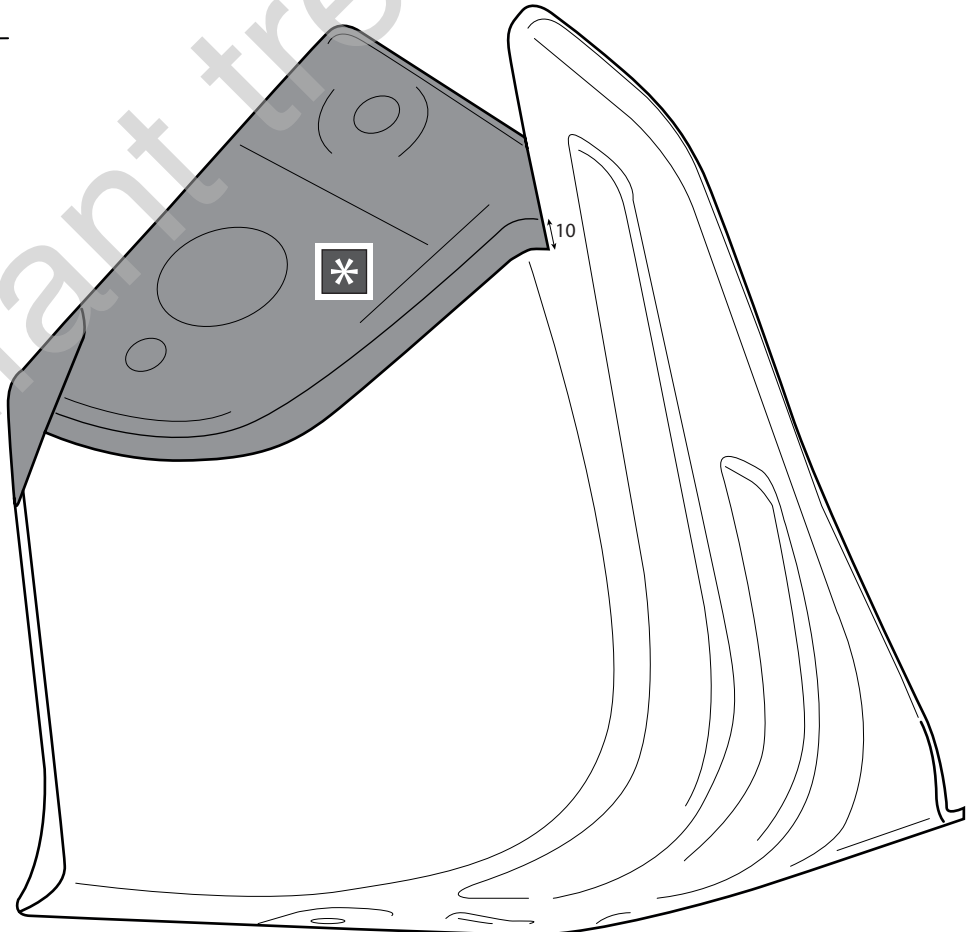
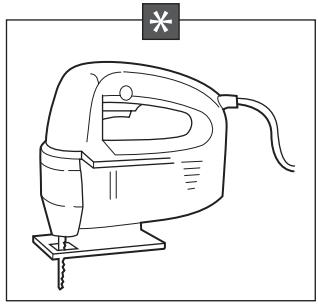
93,0 Nm



A		X1	912.003
B		X3	DIN931-M12X110
C		X6	DIN125A-M12
D		X3	DIN128A-M12
E		X3	DIN934-M12

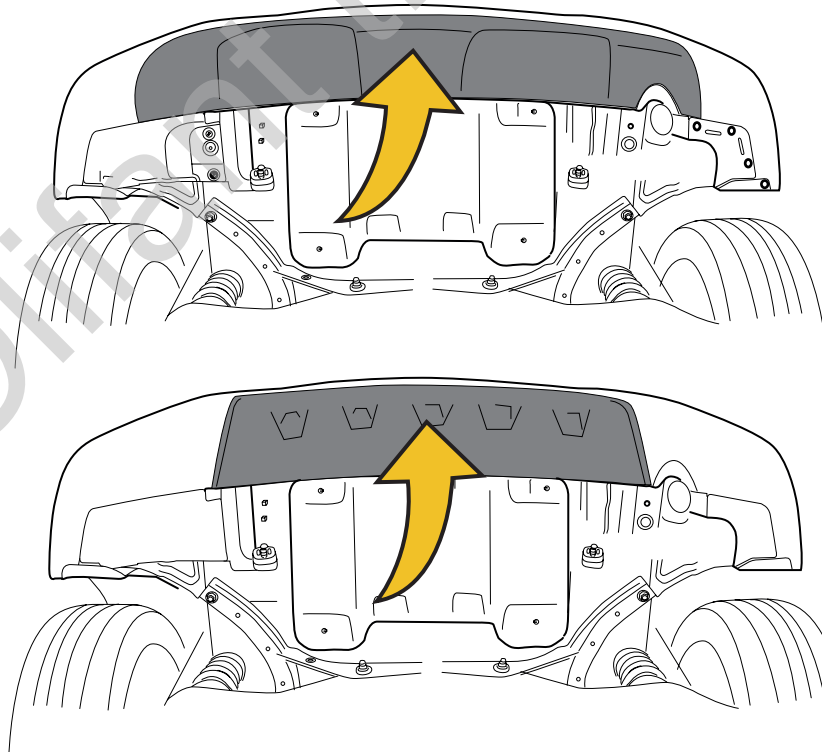
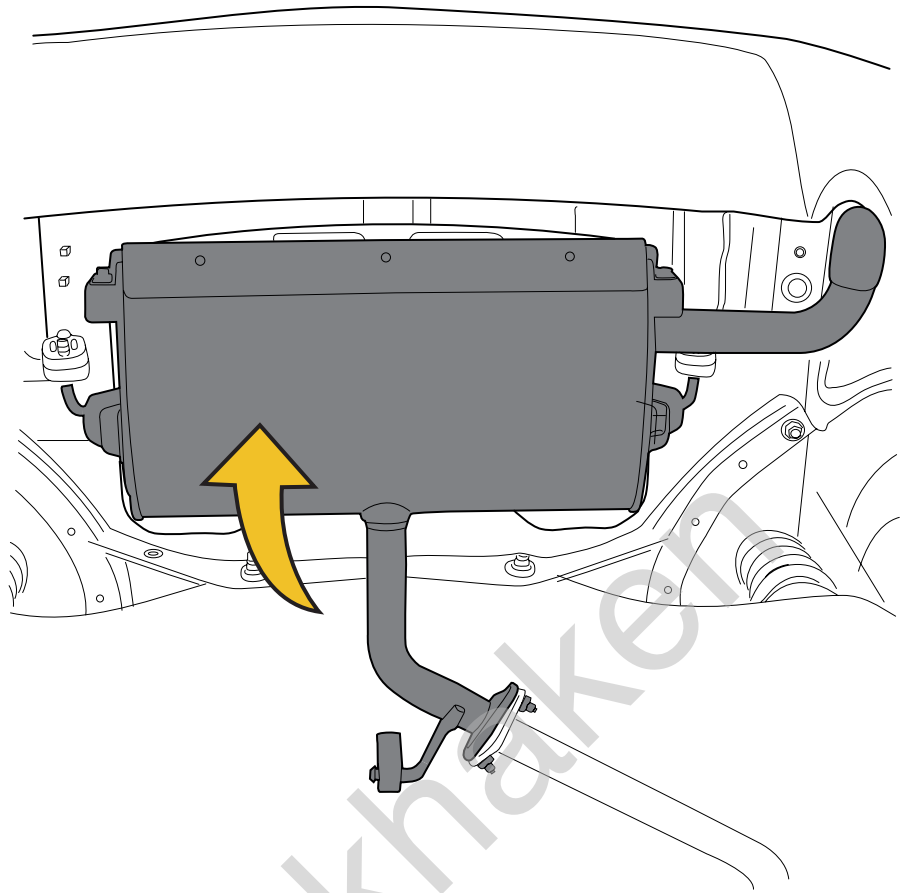


NIRO '19 -

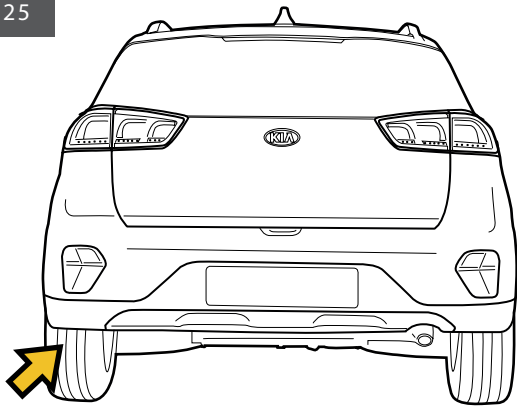


NIRO '16-'19

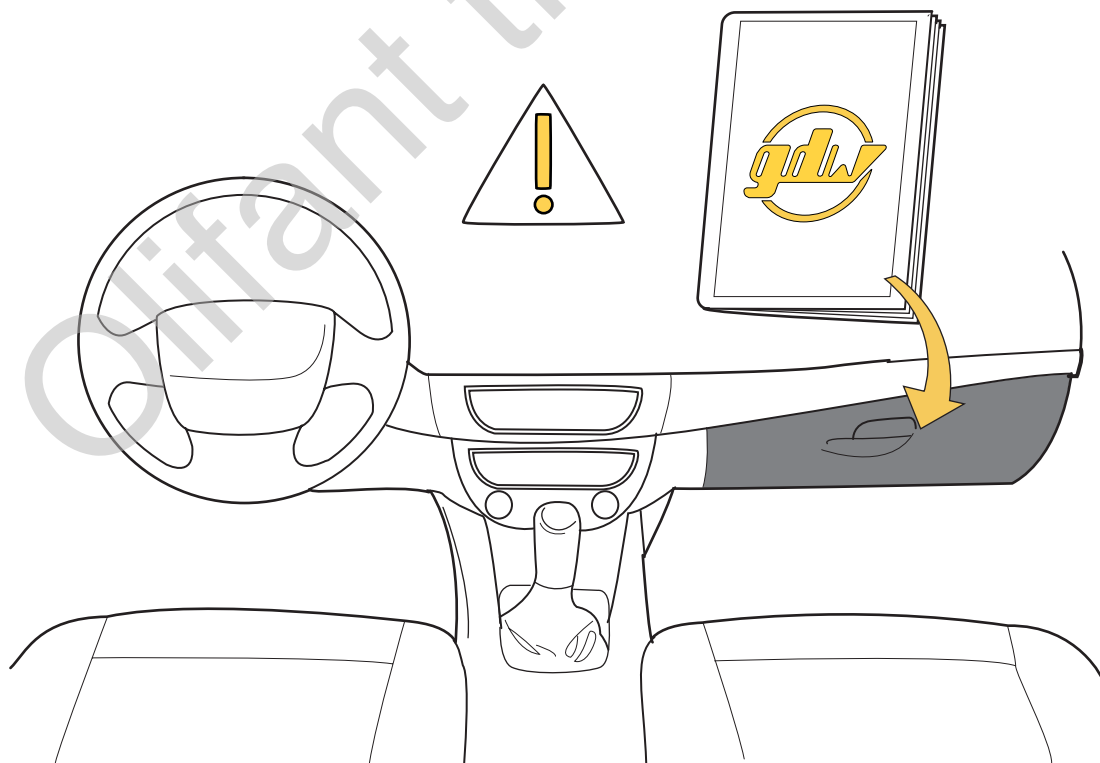
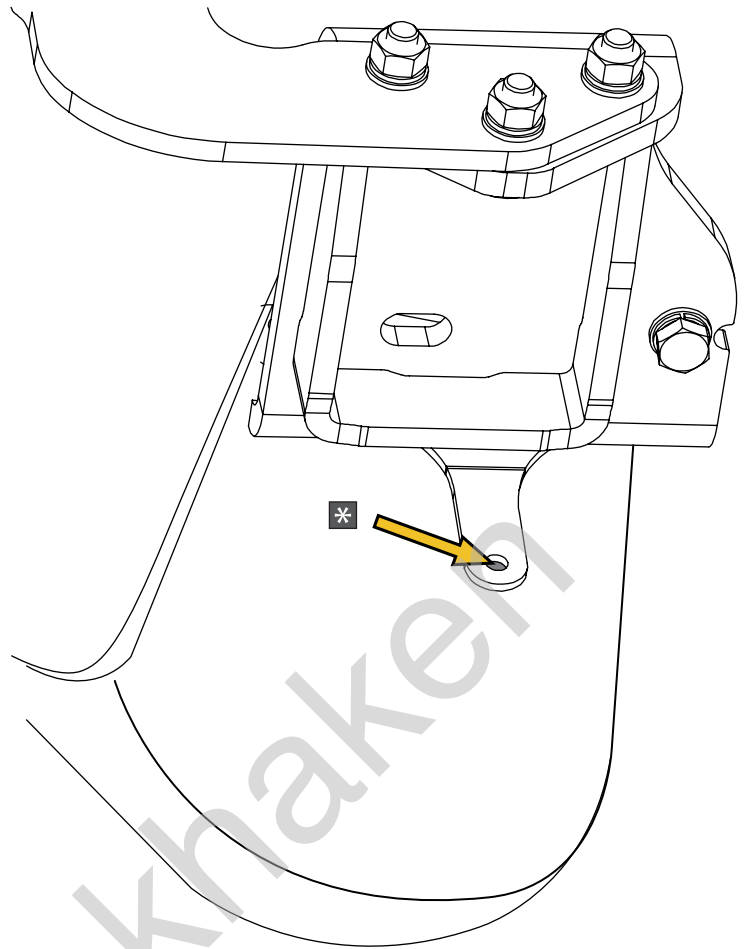
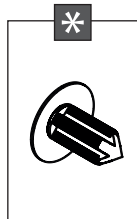
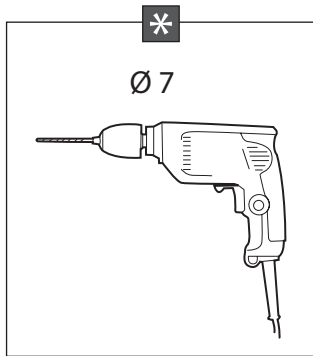
NIRO '19-

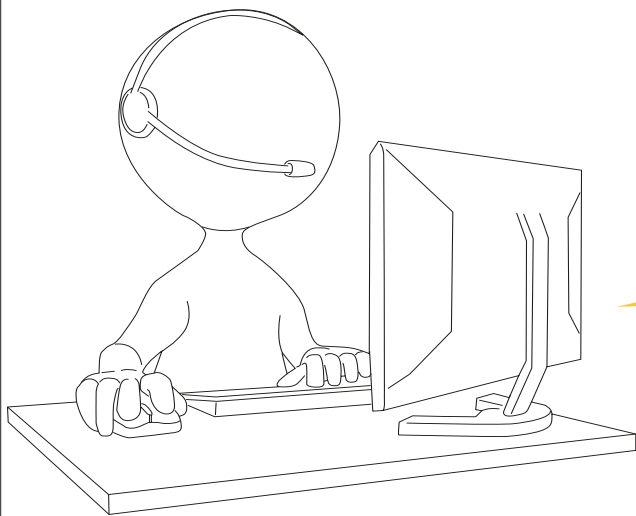






NIRO '19 -





**helpdesk@gdwtowbars.com**  
**+32 56 62 77 79**

Monday	08:00 - 12:00	12:30 - 16:30
Tuesday	08:00 - 12:00	12:30 - 16:30
Wednesday	08:00 - 12:00	12:30 - 16:30
Thursday	08:00 - 12:00	12:30 - 16:30
Friday	08:00 - 12:00	12:30 - 15:30

Olifant trekhaken

