



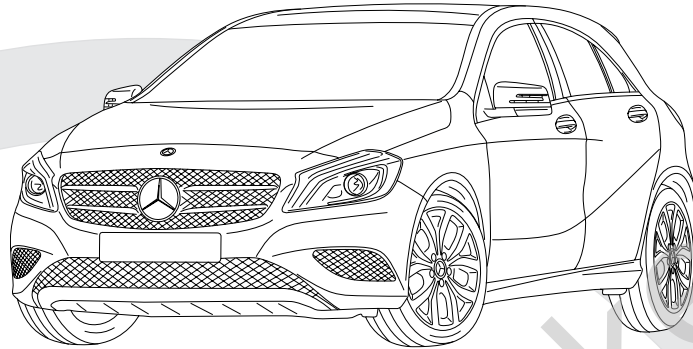
TREKHAKEN • ATTELAGES • ANHÄNGERVORRICHTUNGEN • TOWBARS • ENHANCES • ANHÆNGERTRÆK

Montagehandleiding | instructions de montage | Einbauanleitung | Mounting instruction
Instrucciones de montaje | monteringsvejledning



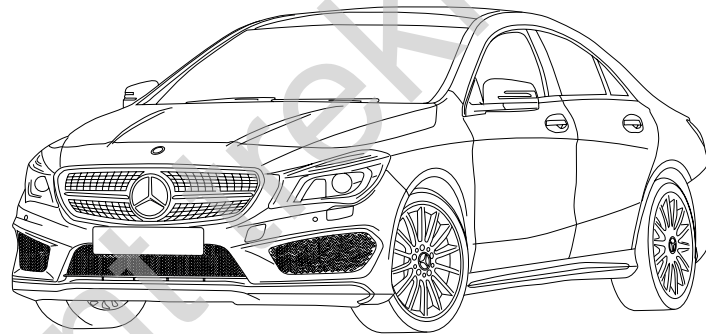
Mercedes A W176 AMG-Line

10/'12 - 08/'15



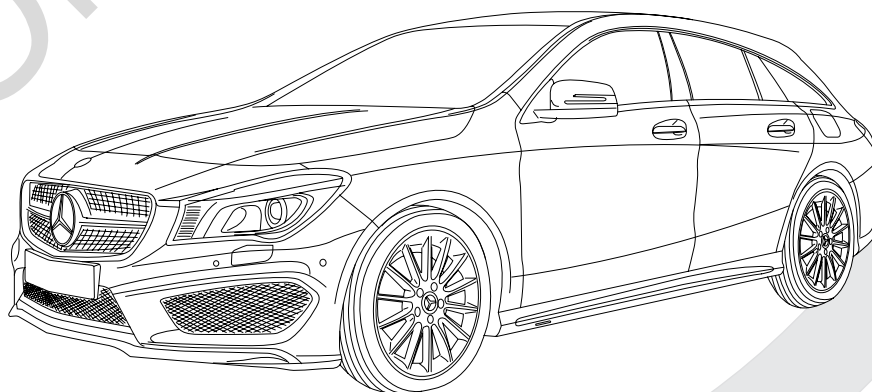
Mercedes CLA C117 AMG-Line

04/'13 - 02/'19




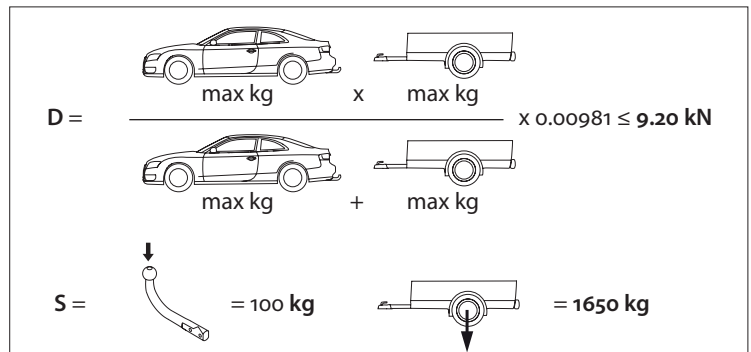

Mercedes CLA X117 Shooting Brake AMG-Line

01/'15 - 05/'19

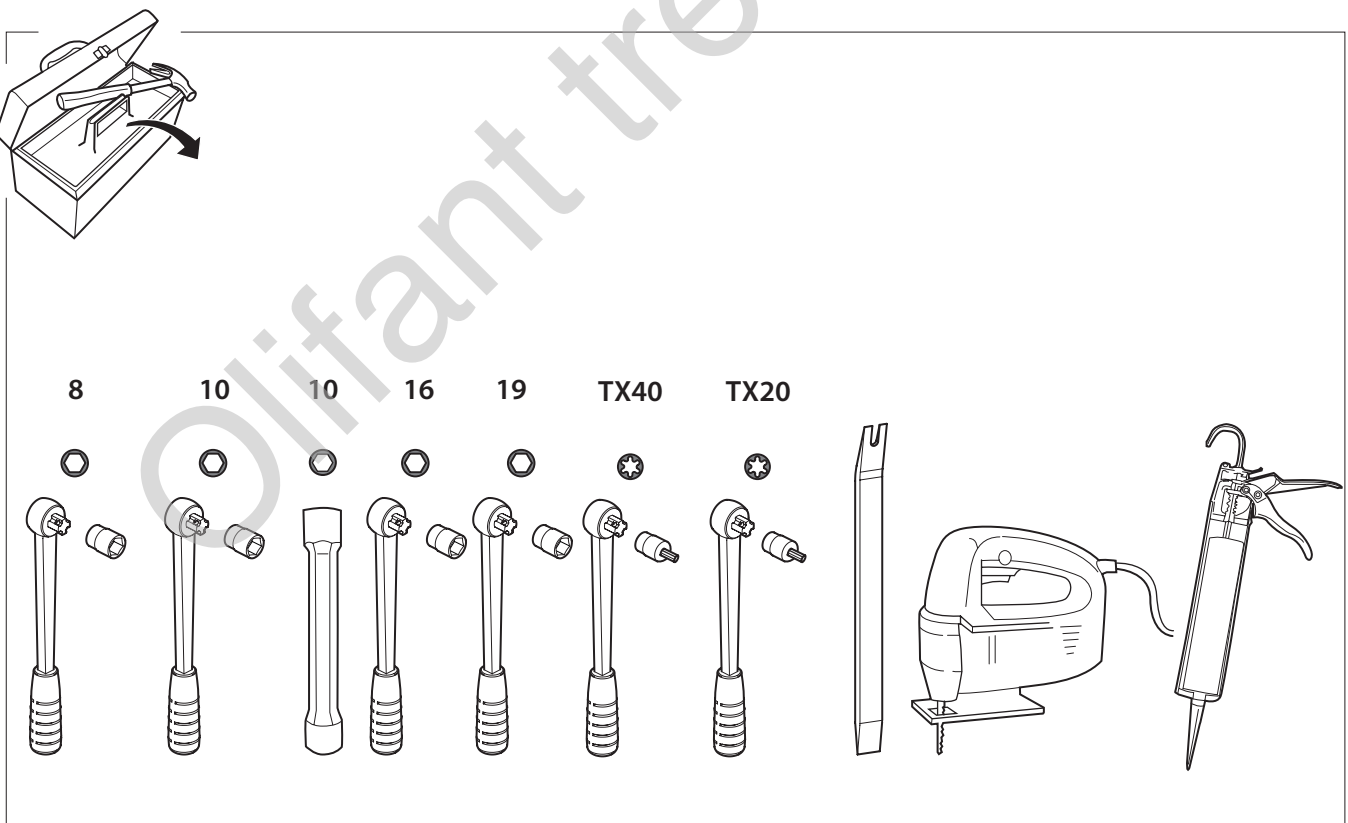


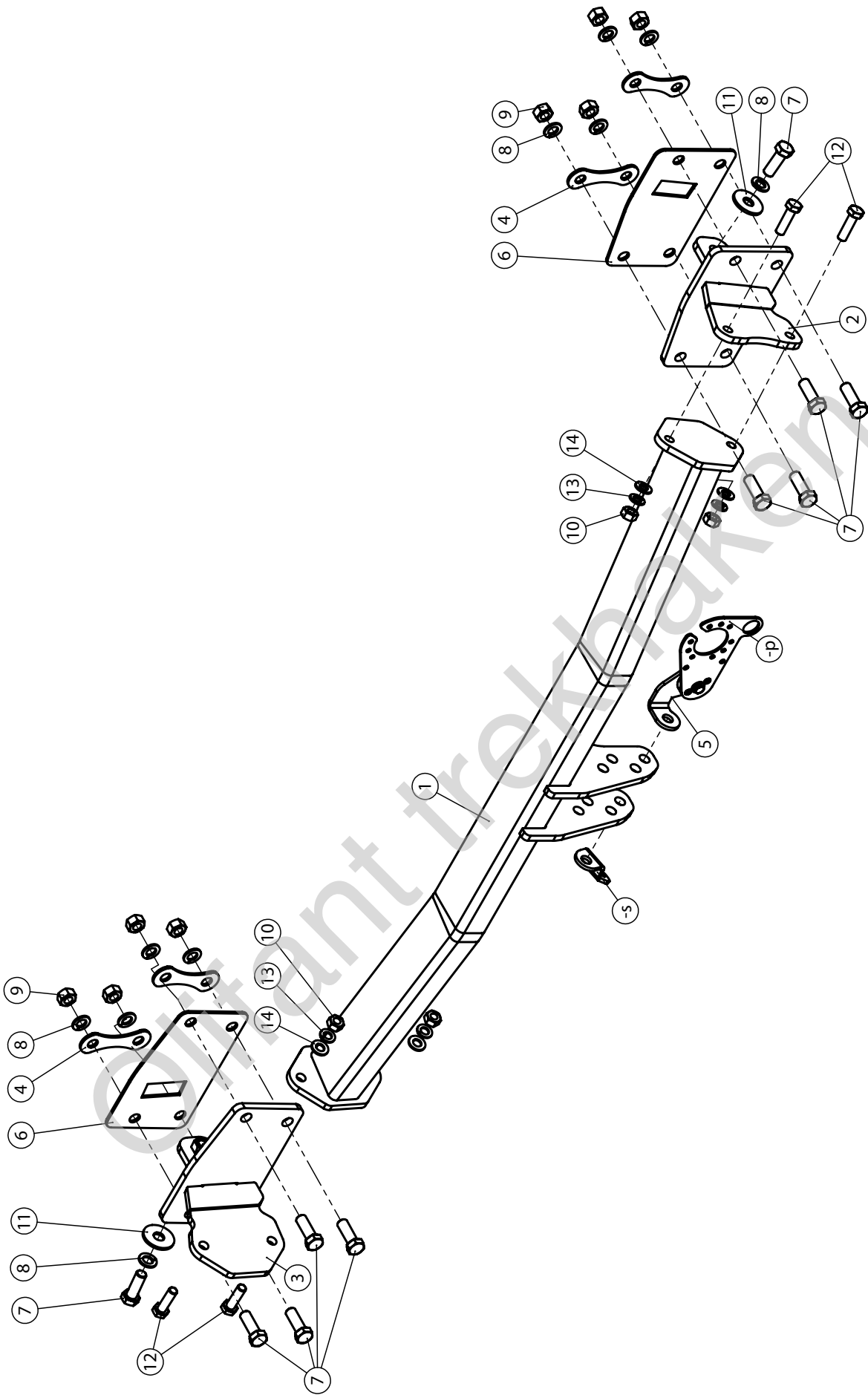
See the Certificate Of Conformity (COC) of your vehicle or contact your dealer to verify the max. trailer weight of your car!

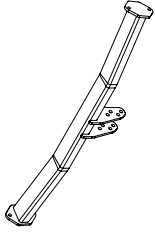
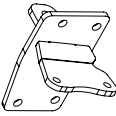
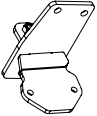












MADE BY	D 9,20	F	E6
			
BELGIUM	S 100	EC APPROVAL N°	
		55R-011306	
REF N°	SERIE N°		
2142T60			
OMSCHRIJVING			
Mercedes A W176/ CLA C117/CLA G224 AMG-Line			

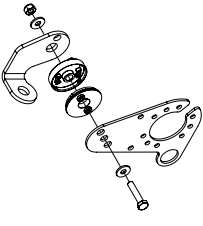
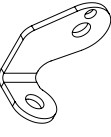

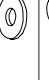


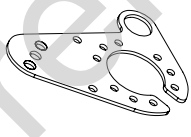




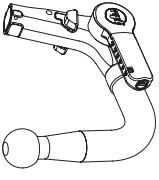

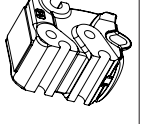


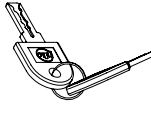






	M 6	M 8	M10		M12			M14		M16
	1	1,25	1,5	(1,25)	1,75	(1,5)	(1,25)	1,75	(1,5)	2
8.8	11,3 Nm	27,3 Nm	54,0 Nm	57,0 Nm	93,0 Nm	97,0 Nm	101,0 Nm	148,0 Nm	159,0 Nm	230,0 Nm
10.9	16,5 Nm	40,1 Nm	79,0 Nm	83,0 Nm	137,0 Nm	143,0 Nm	149,0 Nm	218,0 Nm	234,0 Nm	320,0 Nm
12.9	19,3 Nm	46,9 Nm	93,0 Nm	98,0 Nm	160,0 Nm	167,0 Nm	174,0 Nm	255,0 Nm	274,0 Nm	395,0 Nm



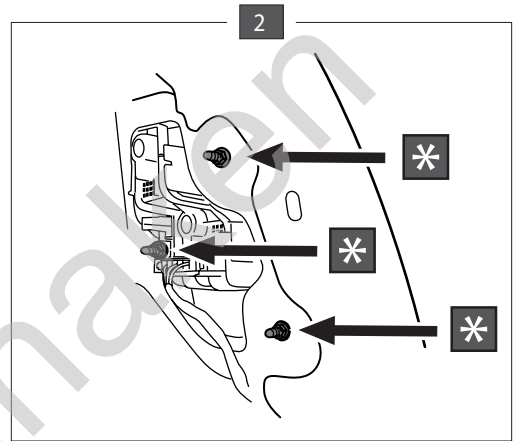
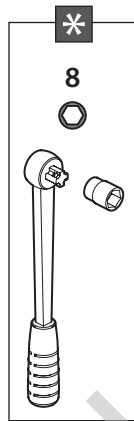
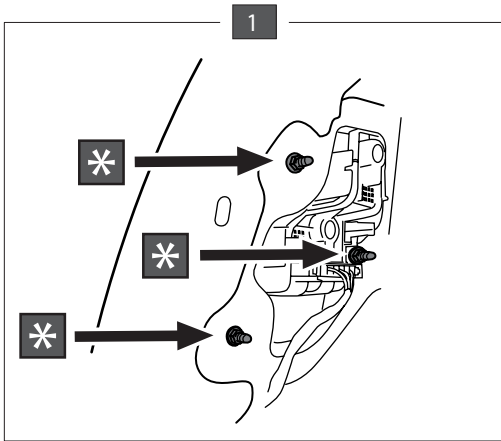
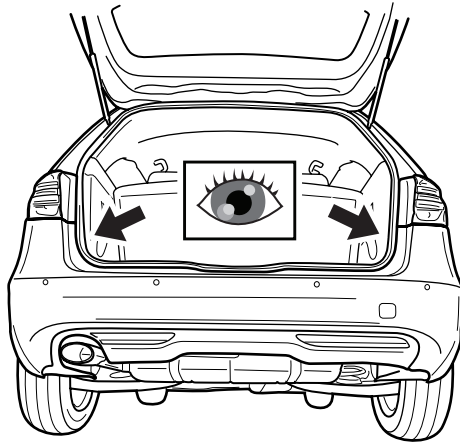


1		X1	GDW REF. 2142T60
2		X1	GDW REF. 2
3		X1	GDW REF. 3
4		X4	GDW REF. 4
5		X1	GDW REF. 5
6		X2	GDW REF. 716.00.020
7		X10	DIN933-M12X35
8		X10	DIN128A-M12
9		X8	DIN934-M12
10		X4	DIN934-M10
11		X2	DIN9021-M12-ELVZ
12		X4	DIN933-M10X35
13		X4	DIN128A-M10
14		X4	DIN125-A10-140HV-ELVZ
-5		X1	GDW REF. 900.053

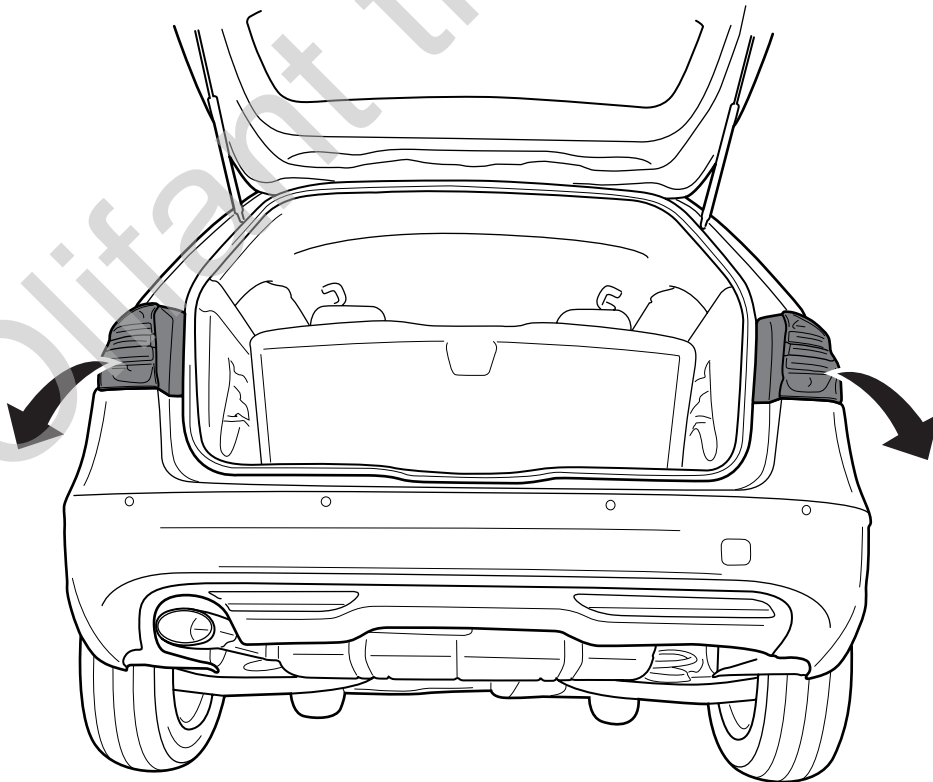
-P		X1	GDW REF. P38
↳		X1	GDW REF. 5
↳		X1	DIN985-M6
↳		X2	6,2 X 15,4 X 1,6 (NYLON)
↳		X1	GDW REF. 718.16.002
↳		X1	GDW REF. 718.16.003
↳		X1	GDW REF. 908.094
↳		X1	DIN933-M6 X 30

Geleverd met - Livré avec - Delivered with Geliefert mit - Elementos adjuntos - Levers med		X1	GDW REF. 960.V1010
↳		X1	GDW REF. 740.200
↳		X1	GDW REF. 912.003
↳		X1	GDW REF. 740.112
↳		X1	GDW REF. 740.111
↳		X1	GDW REF. 740.114
↳		X1	GDW REF. 718.15.001
↳		X1	GDW REF. SYST60-100
↳		X2	DIN933-M12 X 25
↳		X2	DIN933-M12 X 20
↳		X4	Ø 14 X 24 X 1
↳		X4	DIN128A-M12

1

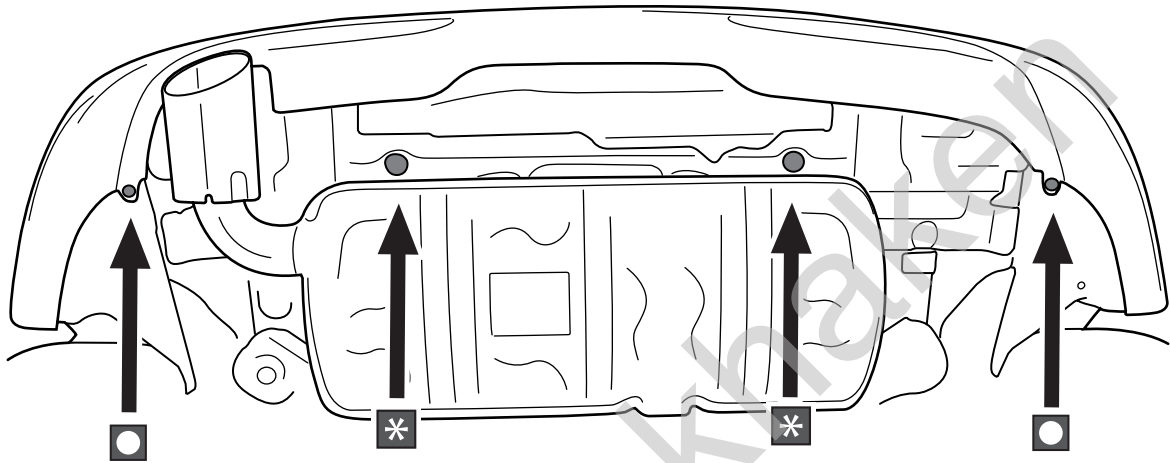
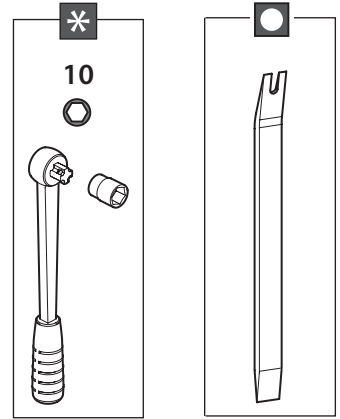
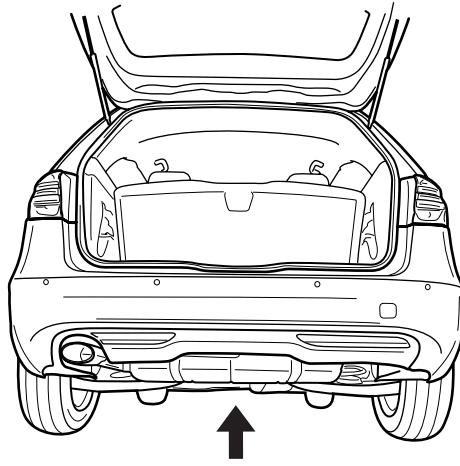


2



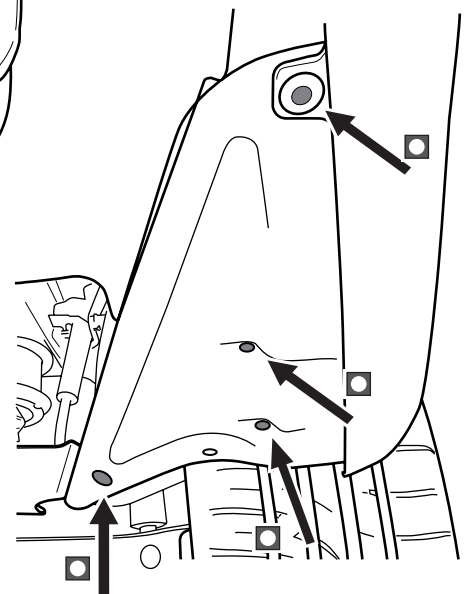
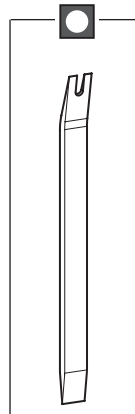
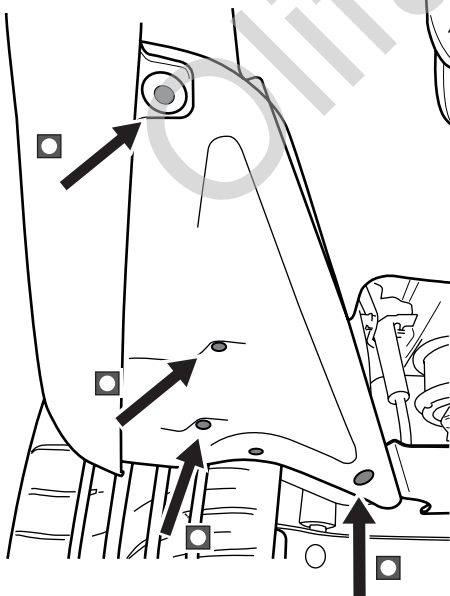
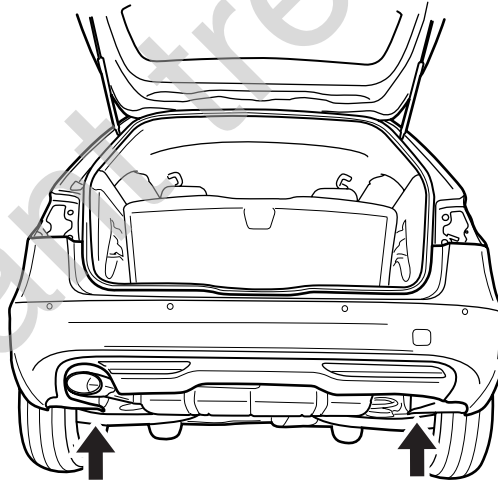
3

FOR :
Mercedes A-klasse W176

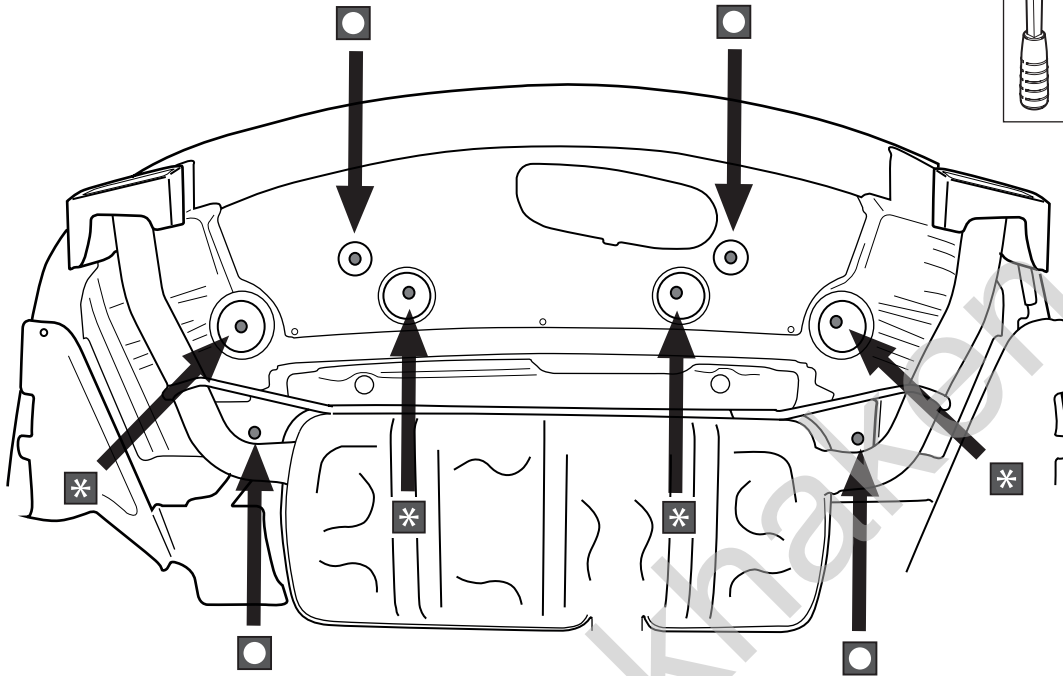
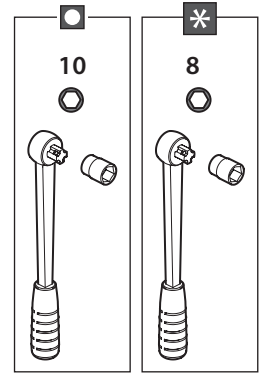


4

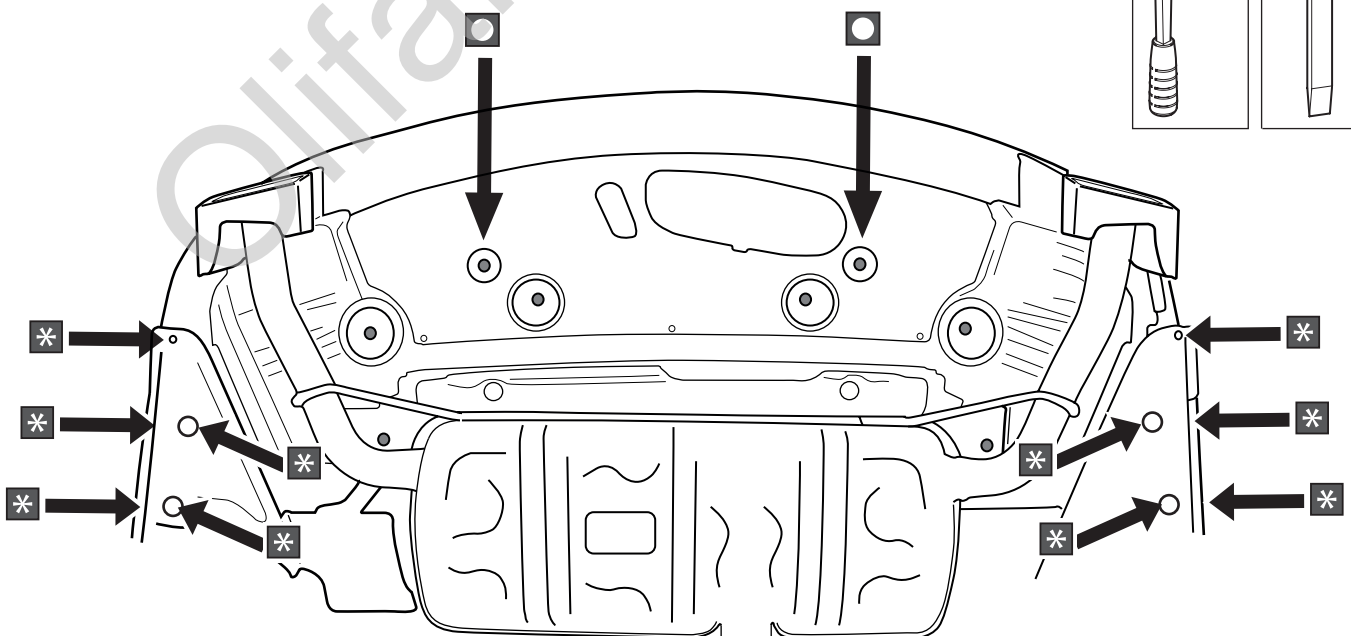
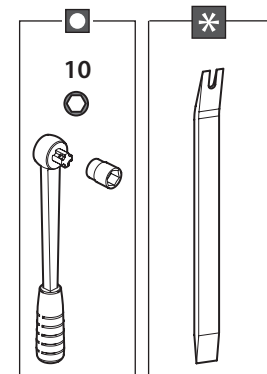
FOR :
Mercedes CLA-klasse C117
Mercedes CLA-klasse G224

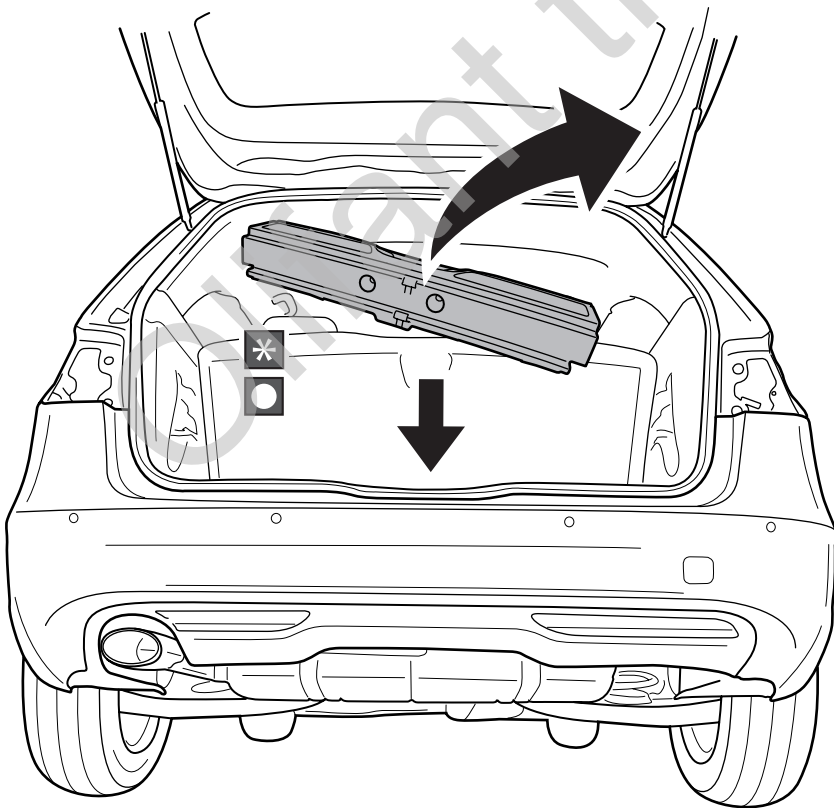
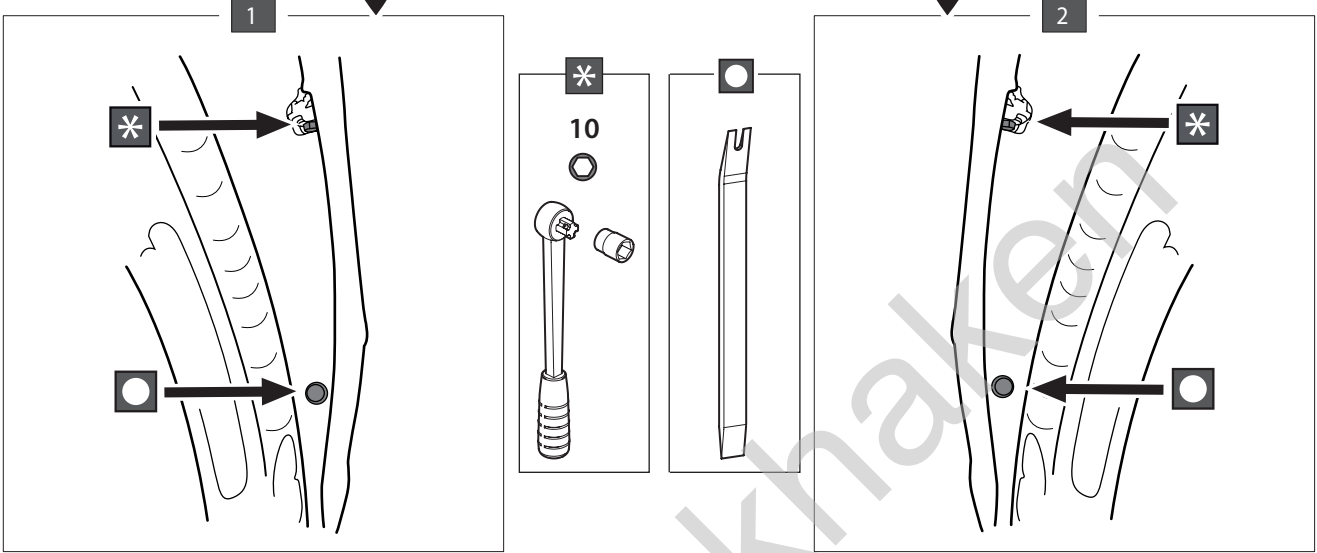
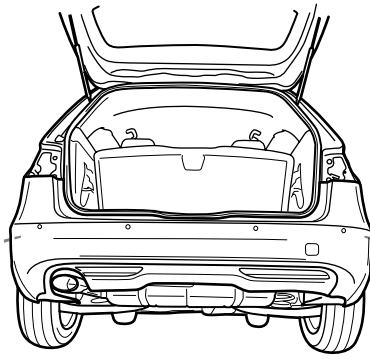


FOR :
Mercedes CLA-klasse C117

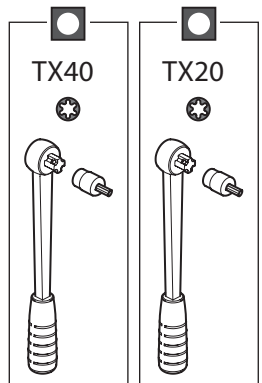


FOR :
Mercedes CLA Shooting Brake

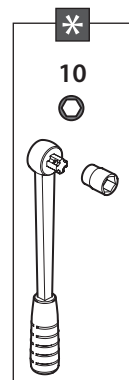


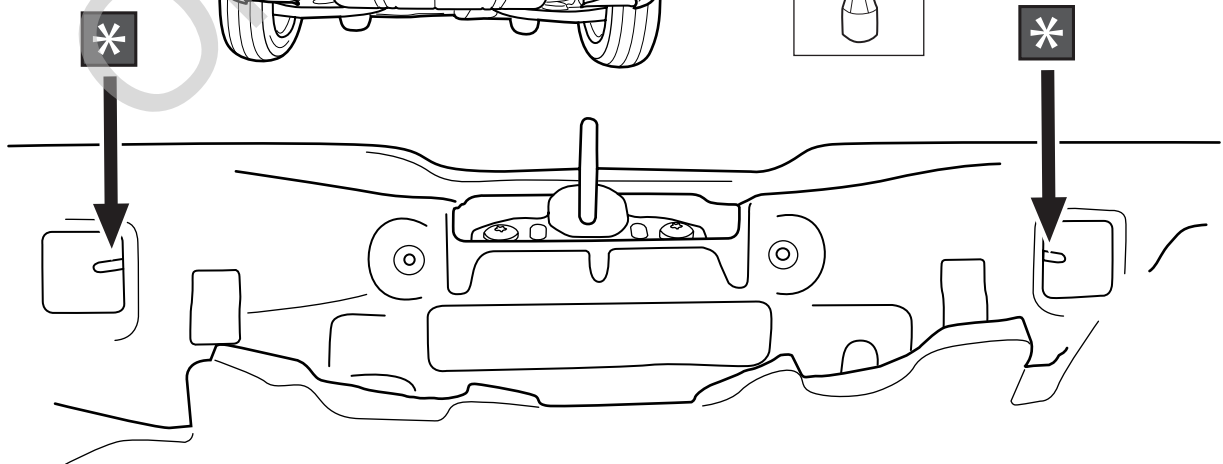
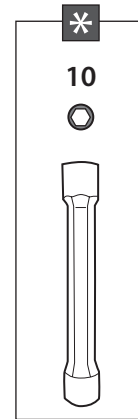
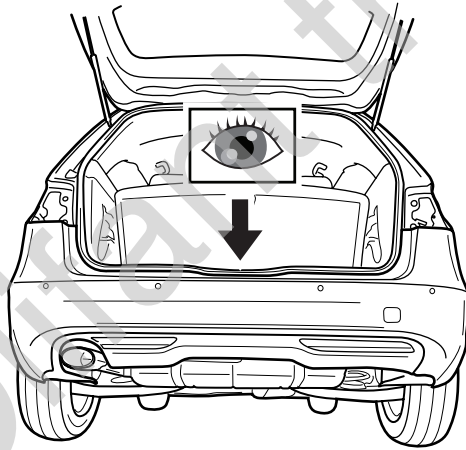
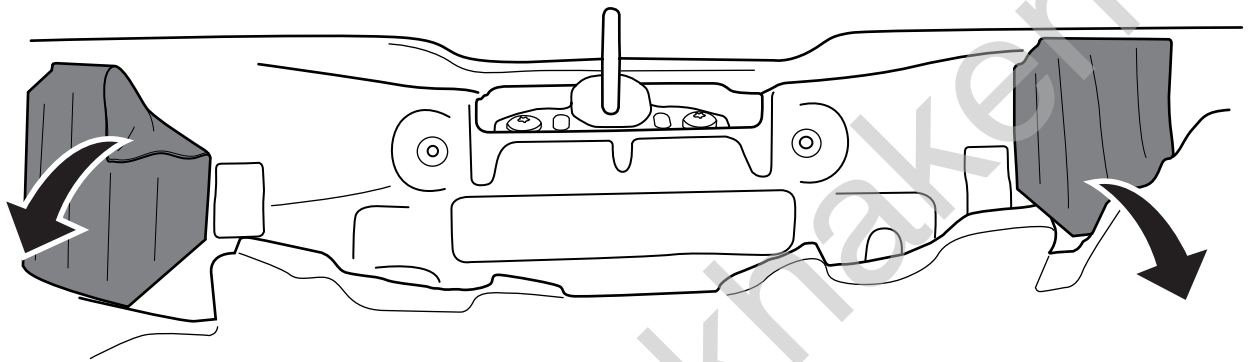
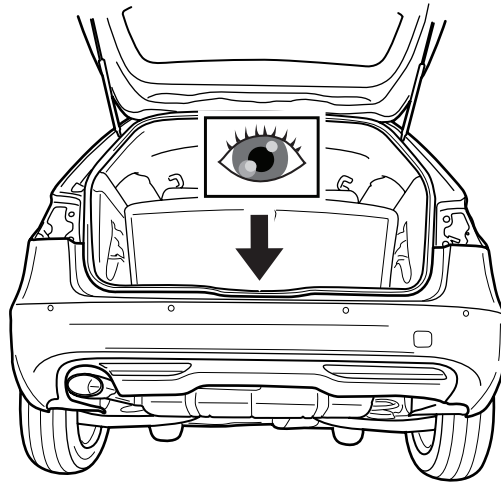


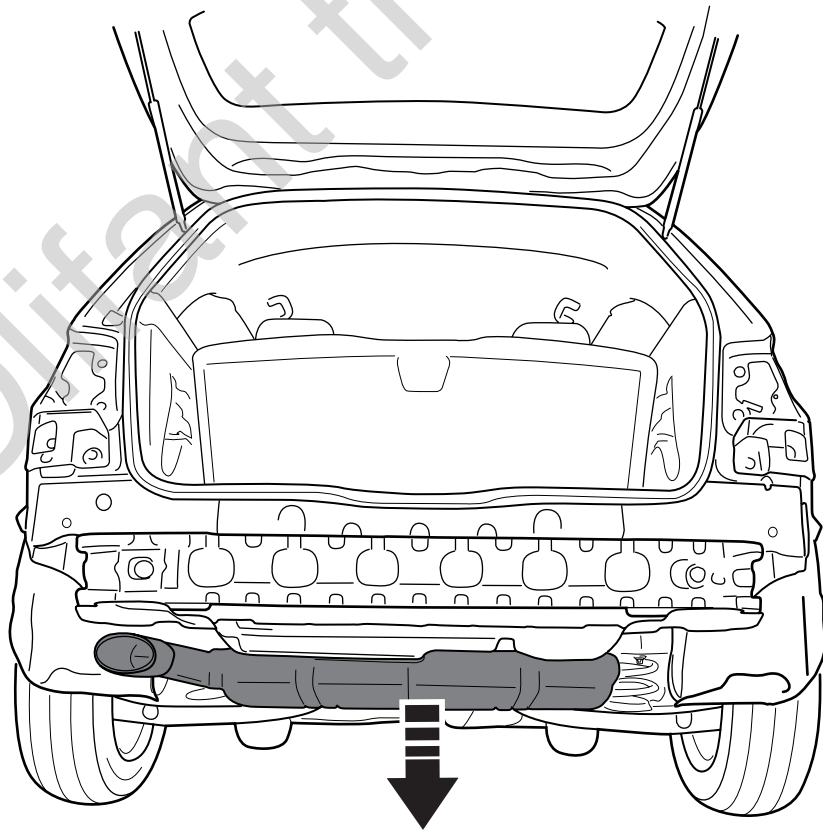
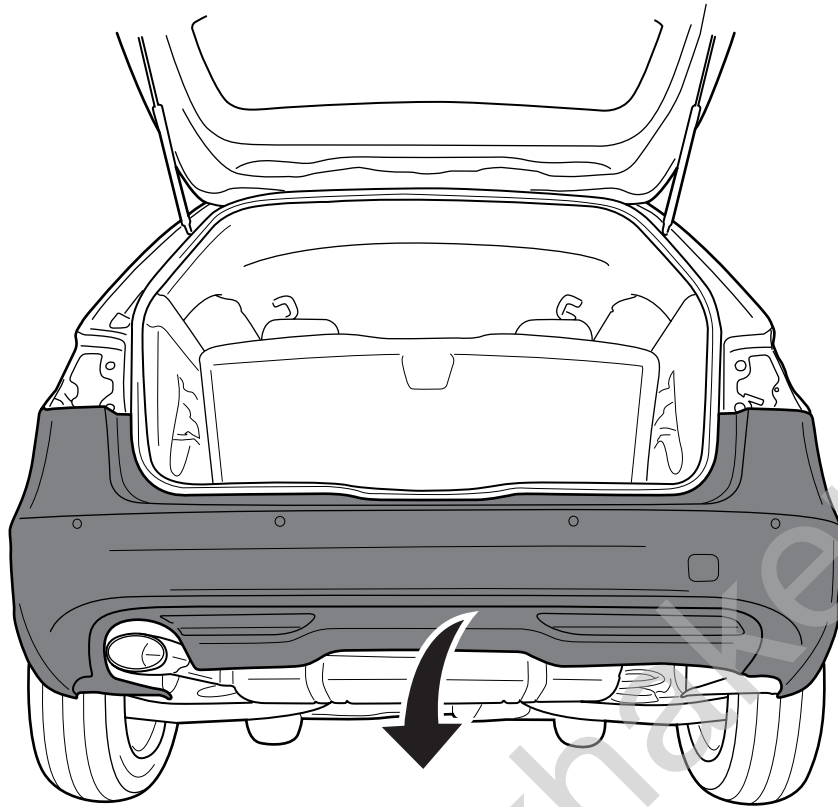
Mercedes CLA & CLA Shooting Brake



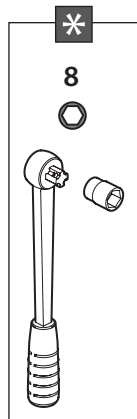
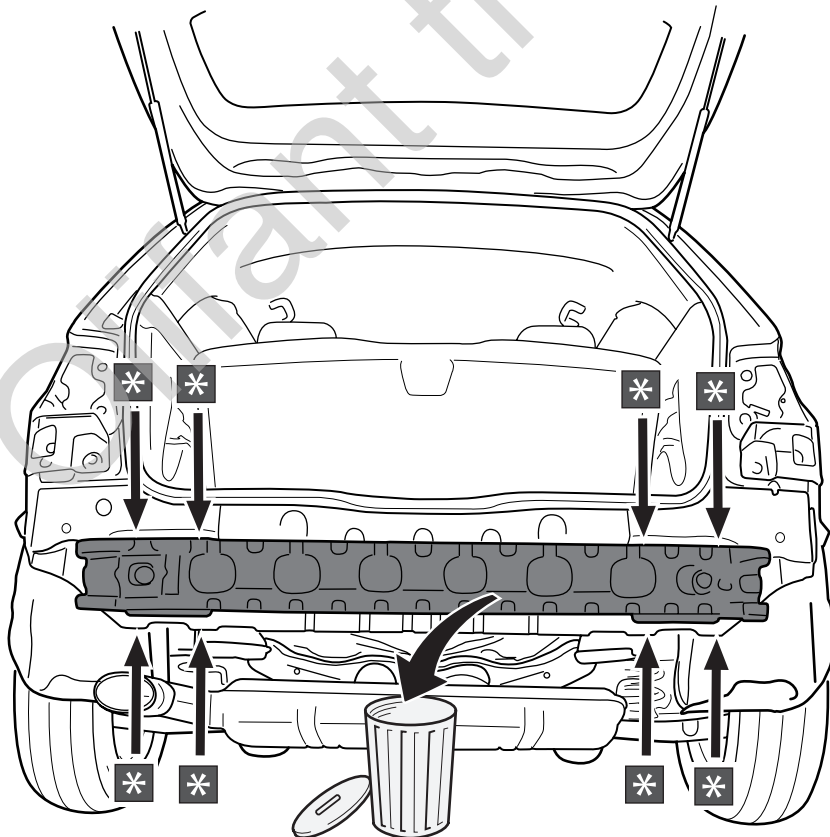
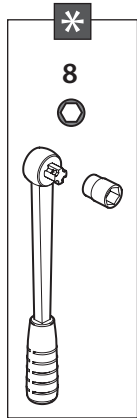
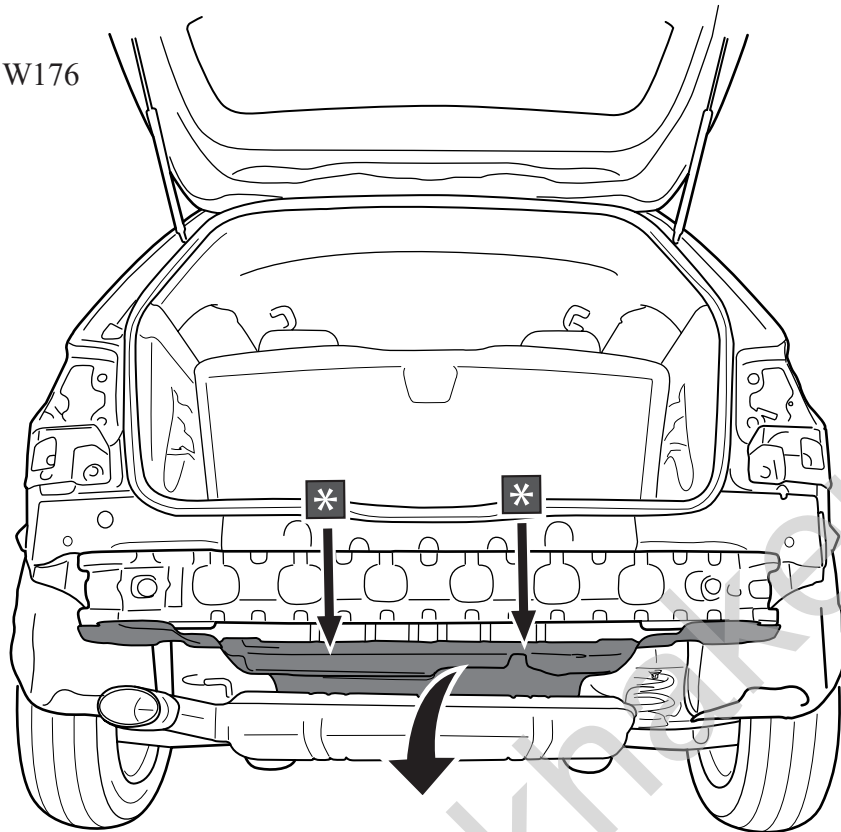
Mercedes A-Klasse

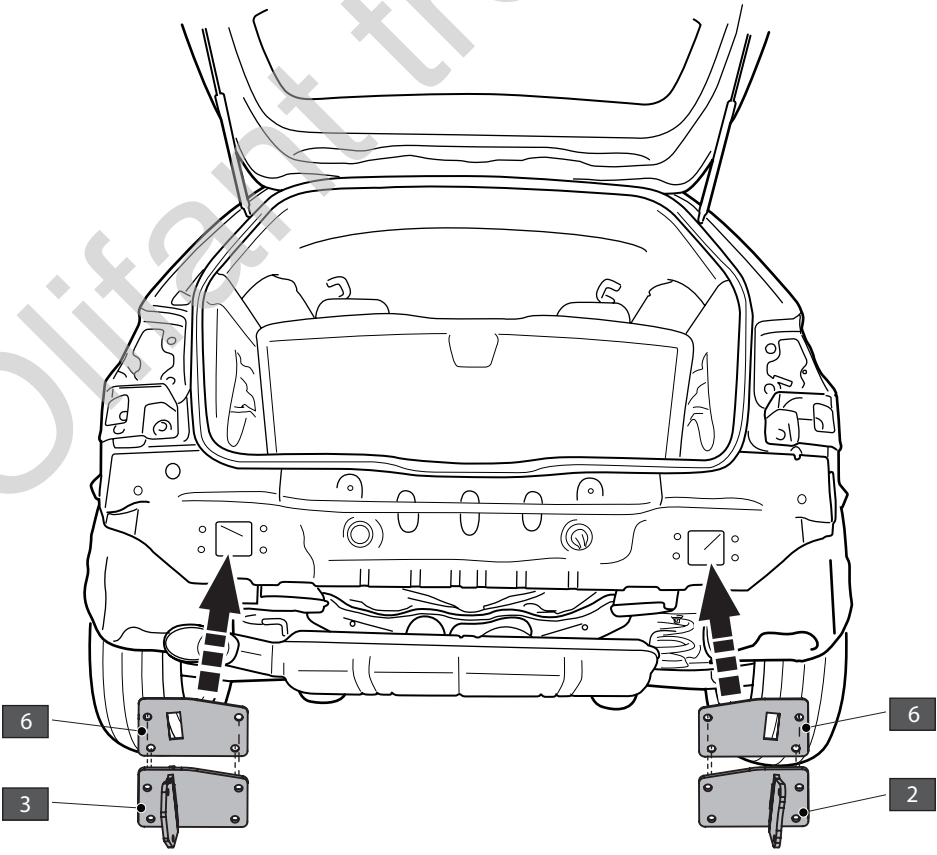
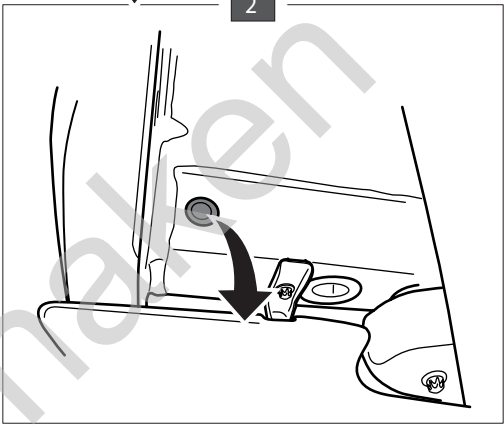
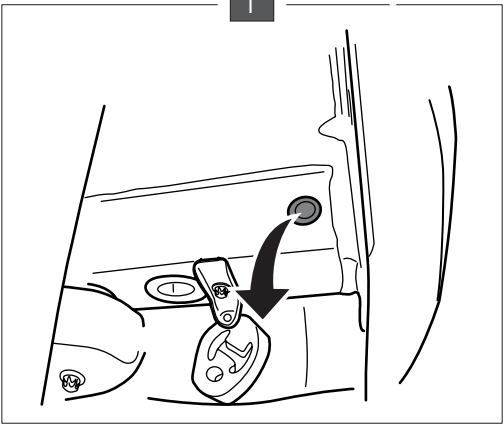
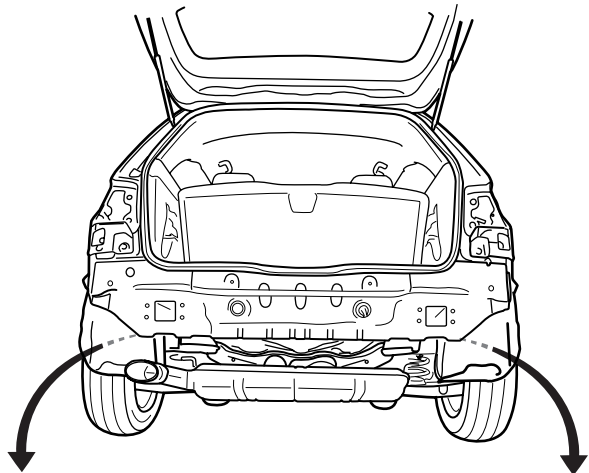


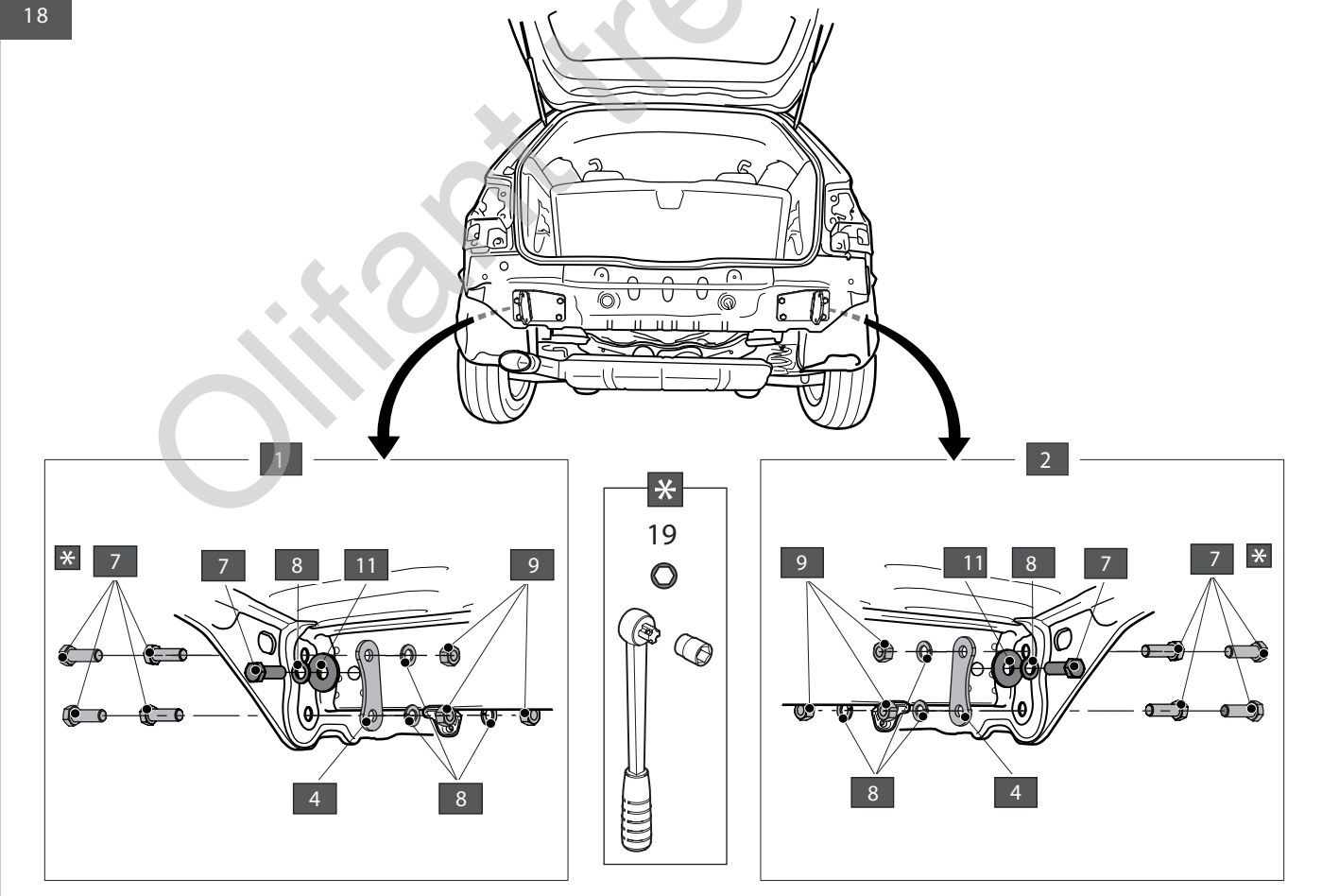
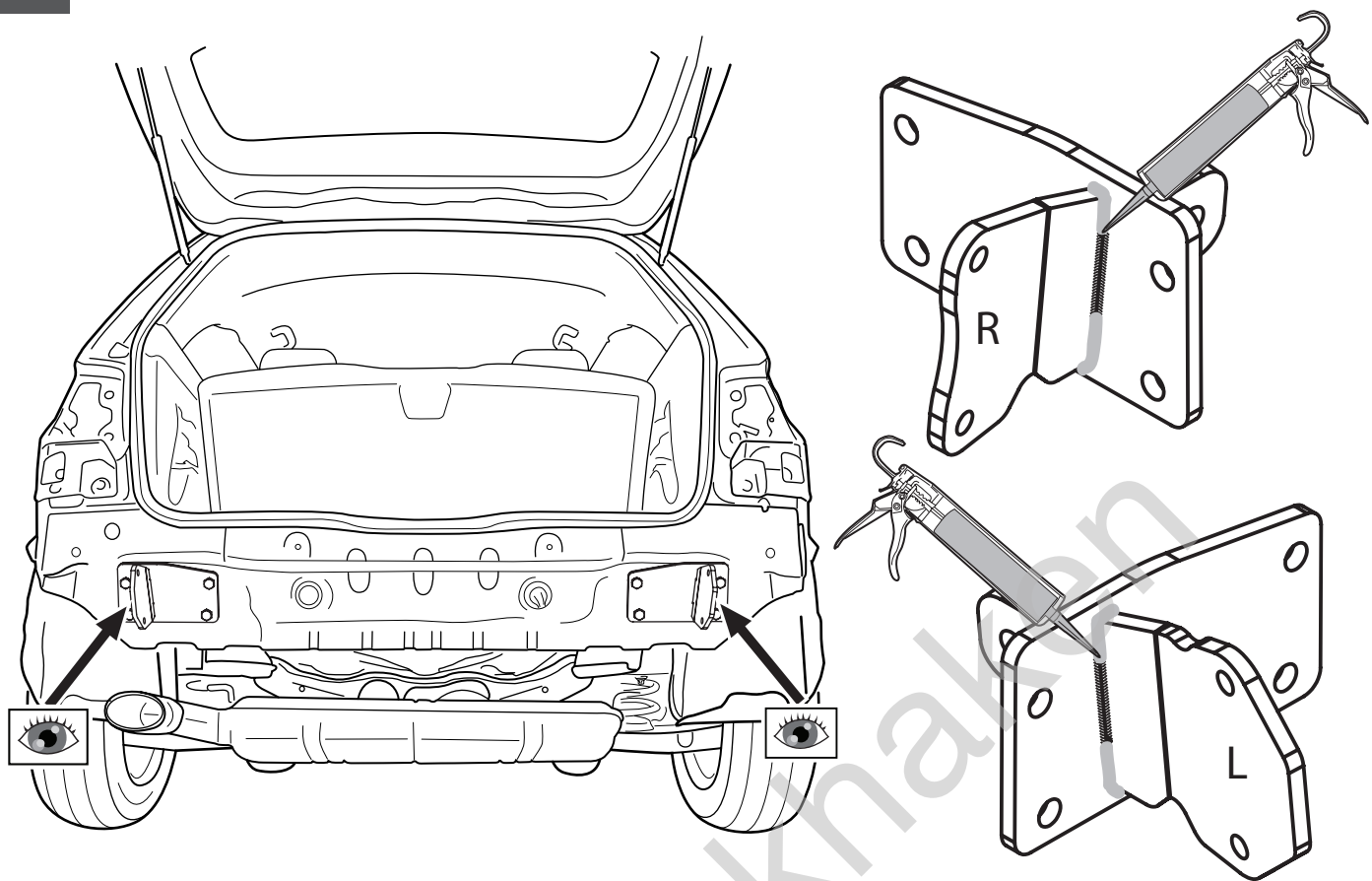


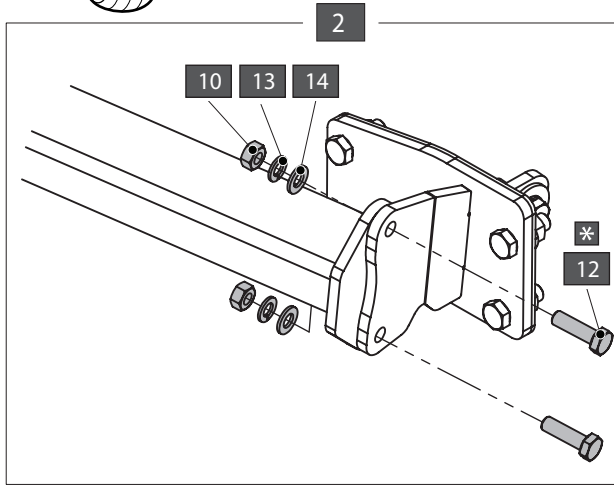
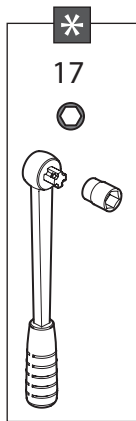
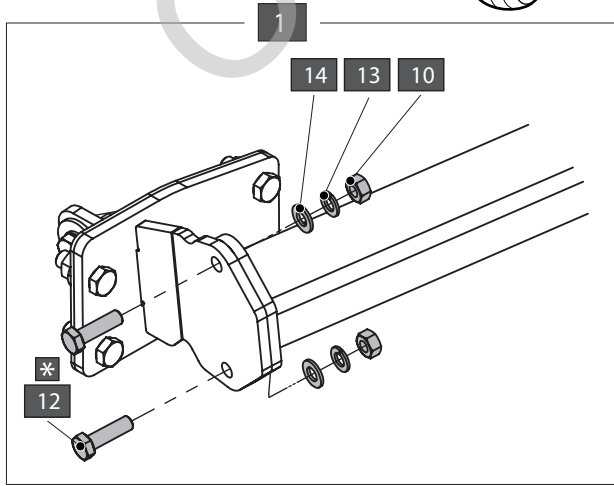
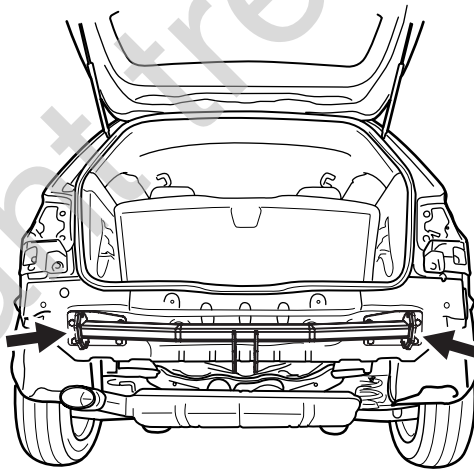
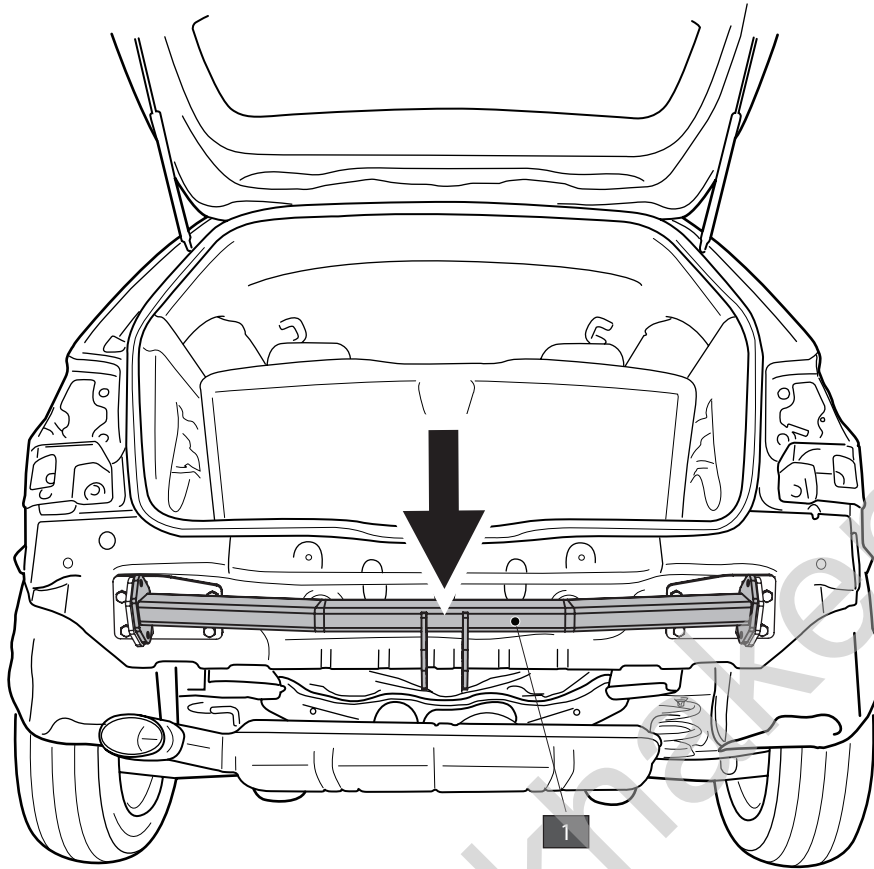


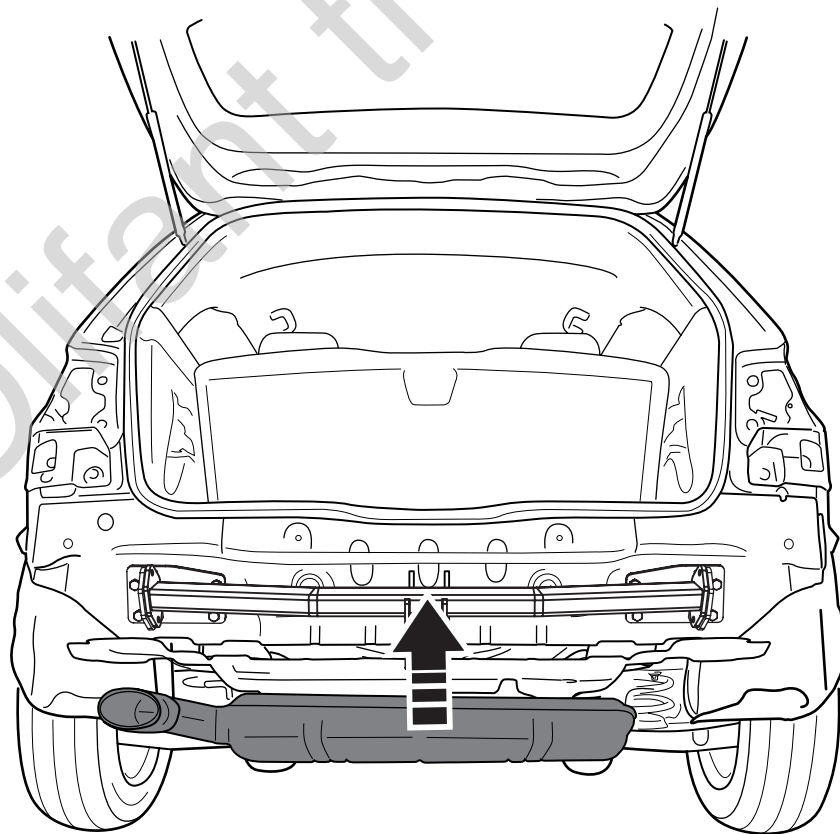
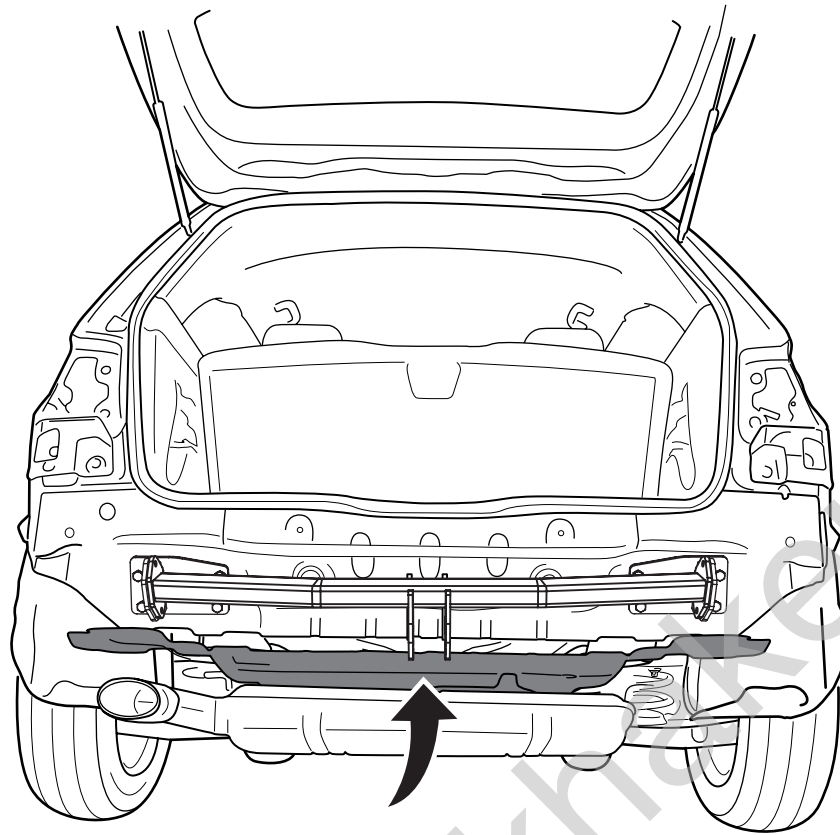
FOR :
Mercedes A-klasse W176



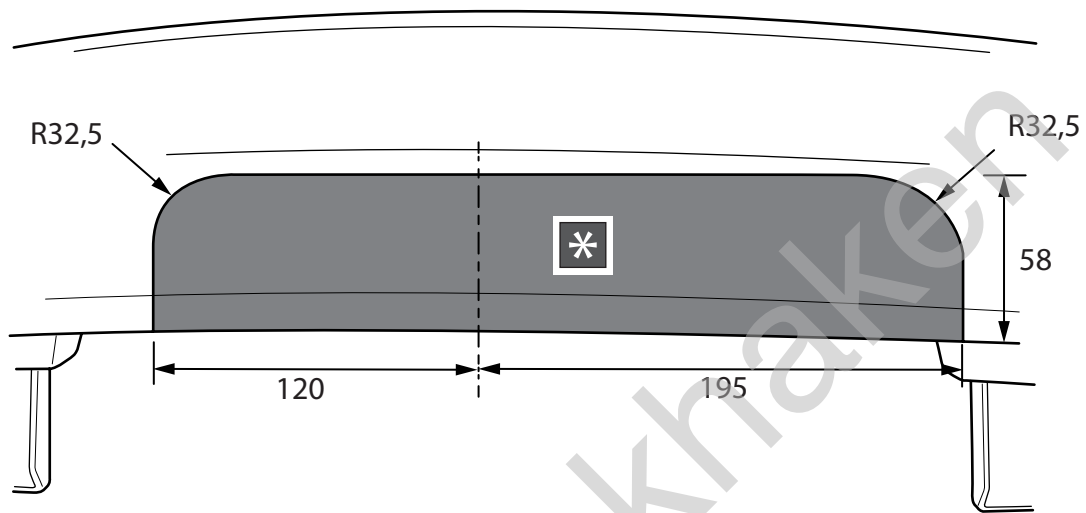
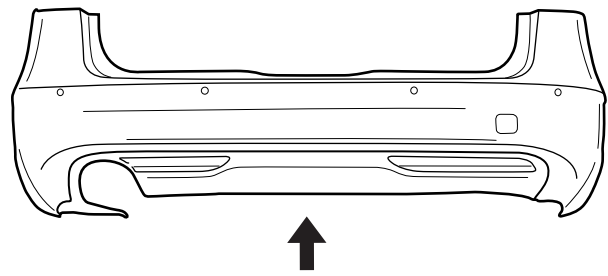
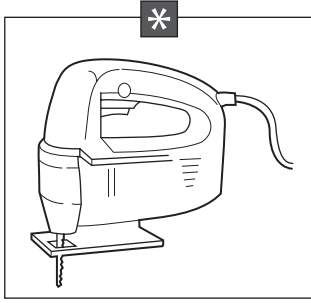




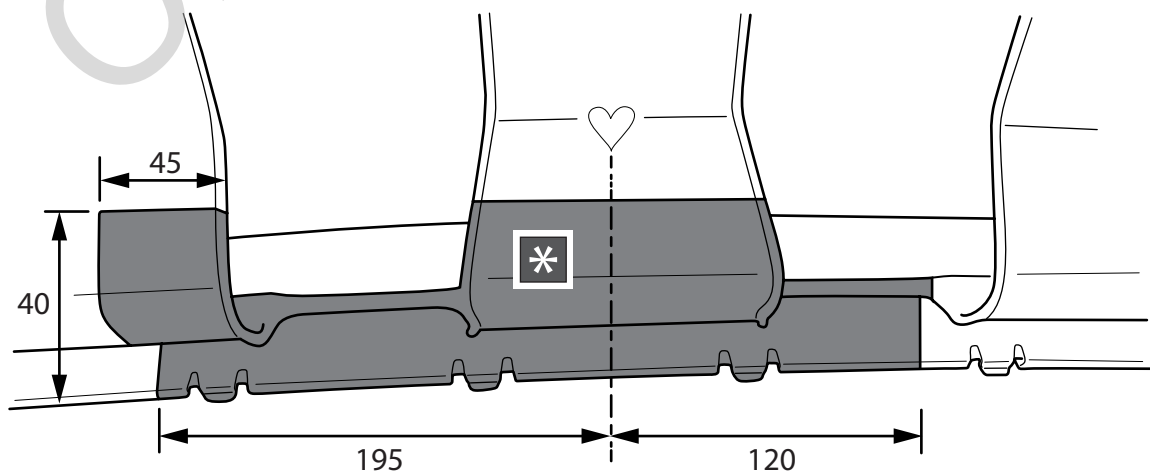
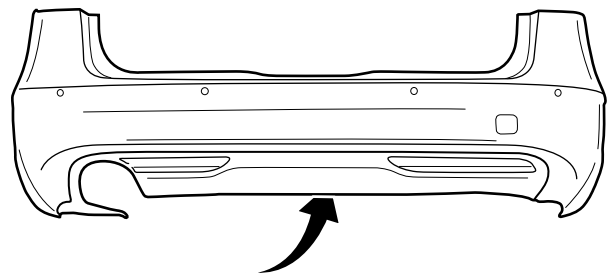
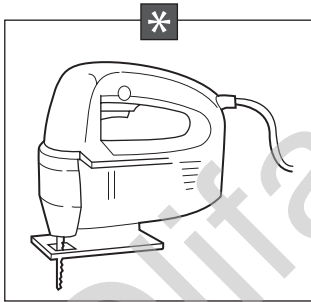


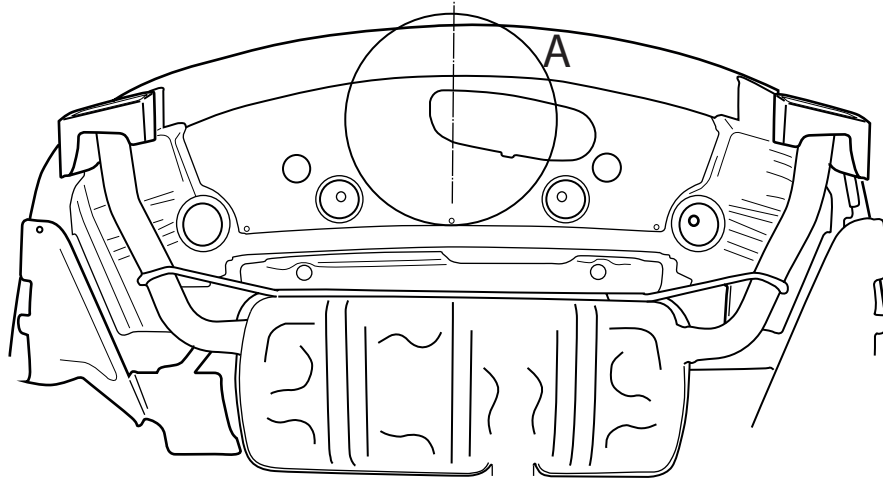


ONLY A W176 AMG

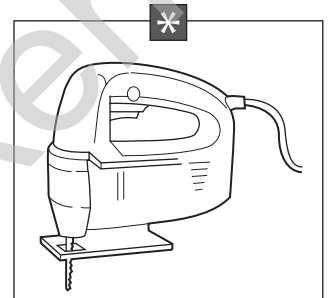
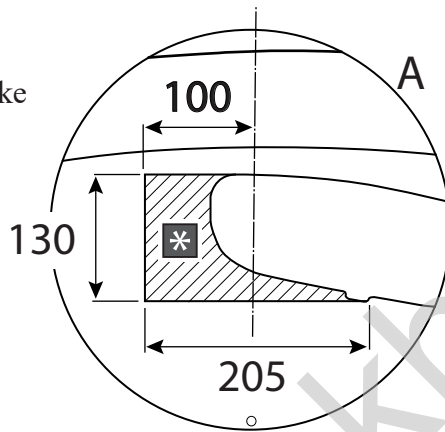


ONLY A W176 AMG

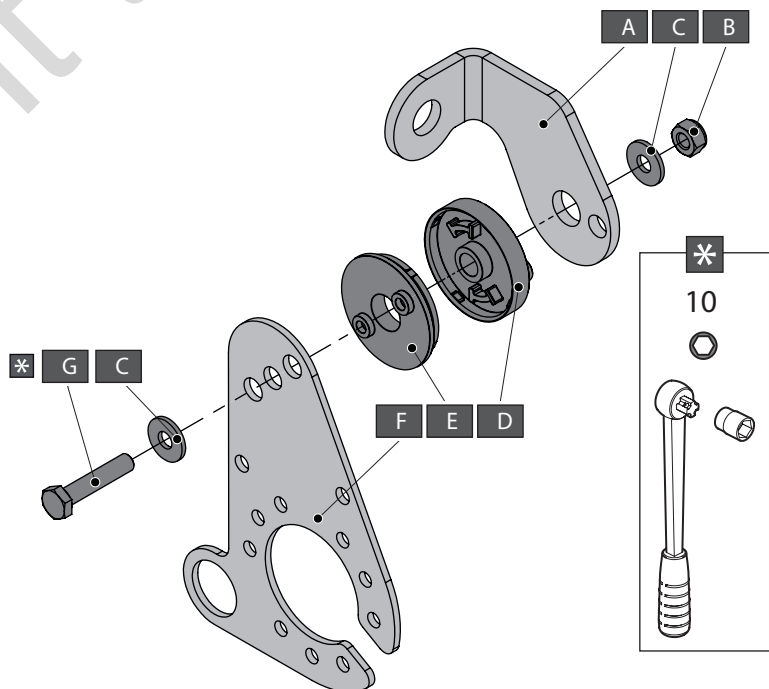




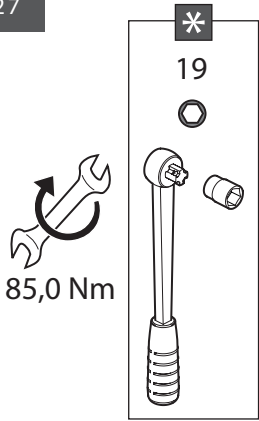
FOR:
Mercedes CLA-Klasse
Mercedes CLA-Shooting Brake



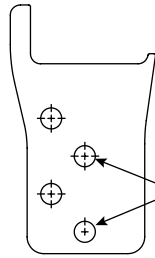
A		X1	GDW REF. 5
B		X1	DIN985-M6
C		X2	6,2 X 15,4 X 1,6 (NYLON)
D		X1	GDW REF. 718.16.002
E		X1	GDW REF. 718.16.003
F		X1	GDW REF. 908.094
G		X1	DIN933-M6 X 30



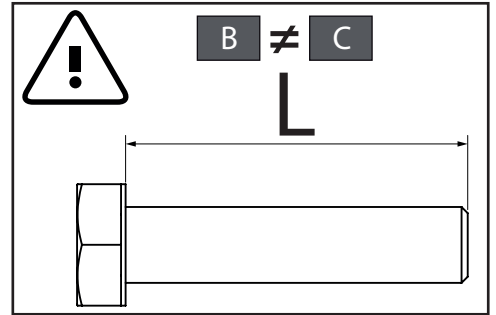
27



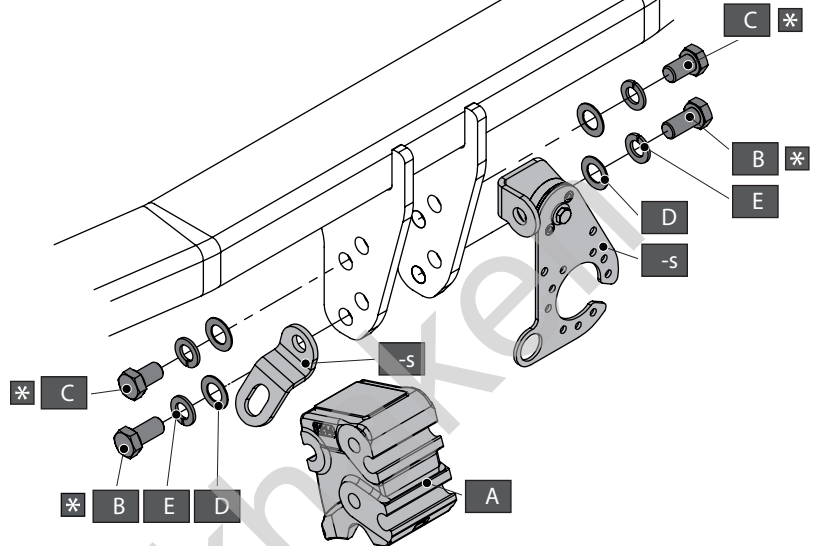
85,0 Nm



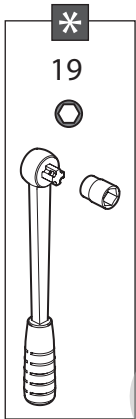
Mercedes A-klasse W176



A		X1	912.003
B		X2	DIN933-M12 X 25
C		X2	DIN933-M12 X 20
D		X4	Ø 14 X 24 X 1
E		X4	DIN128A-M12

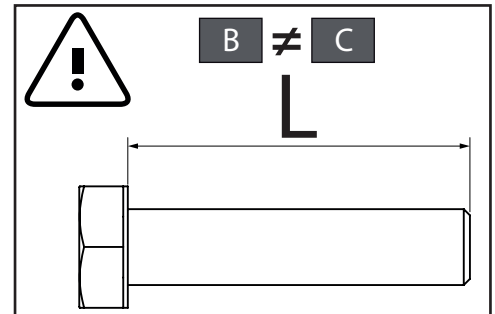
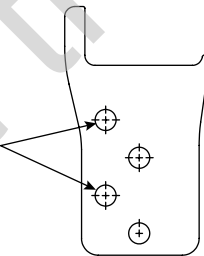


28



85,0 Nm

Mercedes CLA-klasse C117
Mercedes CLA-klasse G224



A		X1	912.003
B		X2	DIN933-M12 X 25
C		X2	DIN933-M12 X 20
D		X4	Ø 14 X 24 X 1
E		X4	DIN128A-M12

