



TREKHAKEN • ATTELAGES • ANHÄNGERVORRICHTUNGEN • TOWBARS • ENHANCES • ANHÆNGERTRÆK

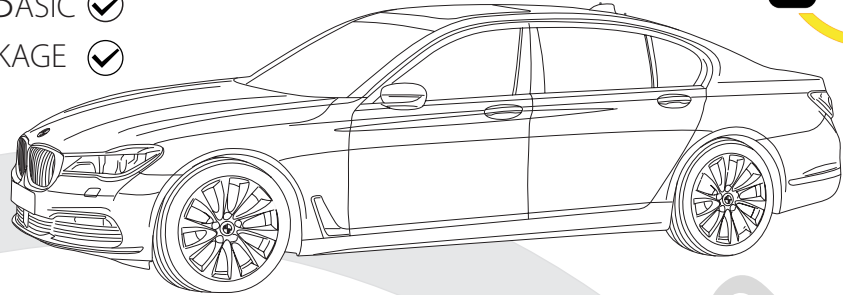
Montagehandleiding | instructions de montage | Einbauanleitung | Mounting instruction  
Instrucciones de montaje | monteringsvejledning

## BMW 7 type G11/G12

10/'15-

BASIC ✓

M SPORTPACKAGE ✓



## BMW 5 type G30

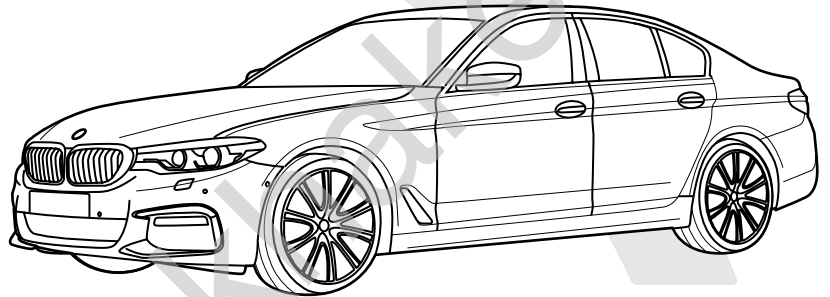
01/'17-

BASIC ✓

M SPORTPACKAGE ✓

M (TYPE F90) ✓

PLUG-IN HYBRID ✓



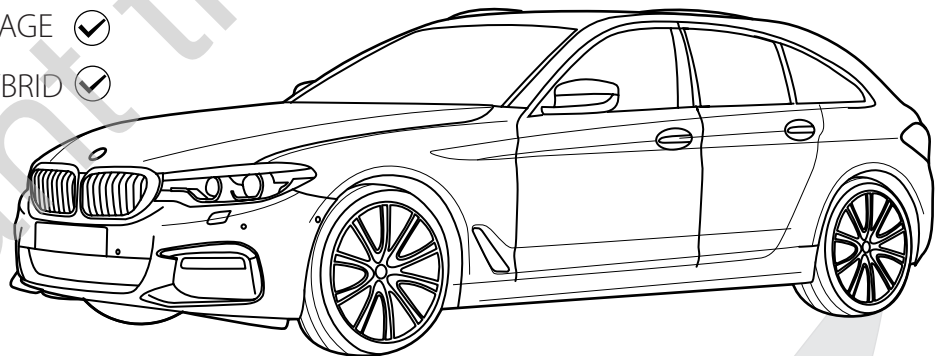
## BMW 5 Touring type G31

03/'17-

BASIC ✓

M SPORTPACKAGE ✓

PLUG-IN HYBRID ✓

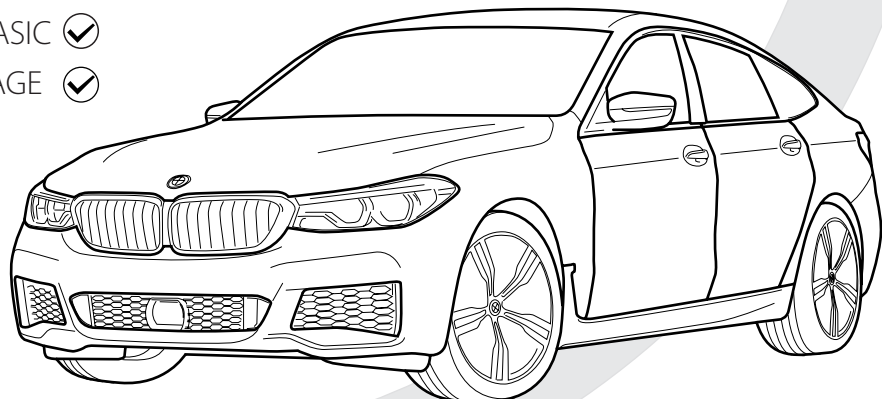


## BMW 6 Gran Turismo type G32


06/'17-

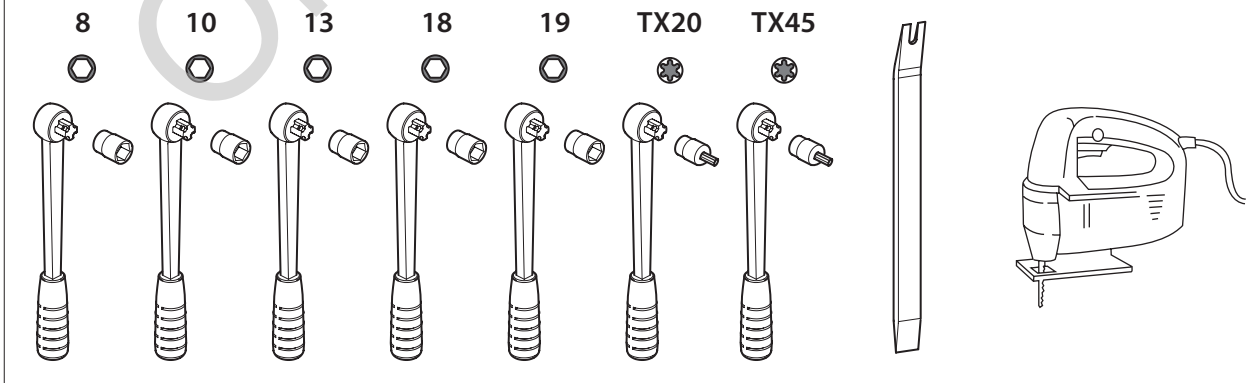
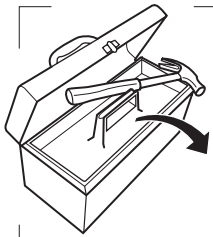
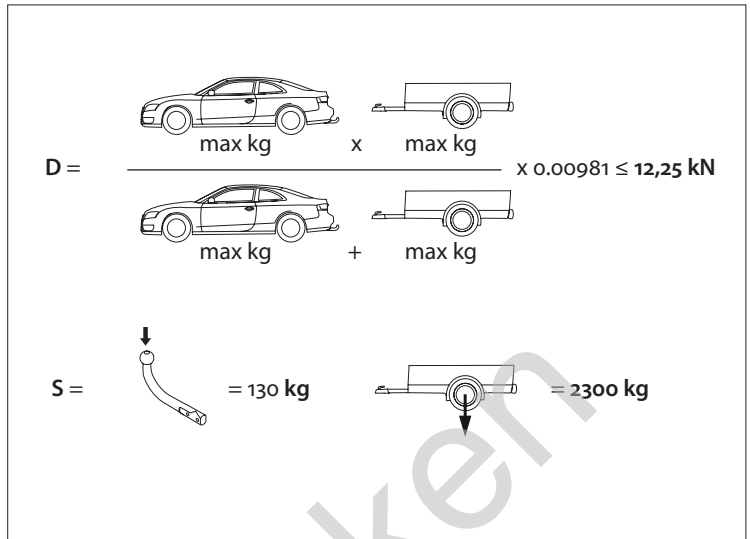
BASIC ✓

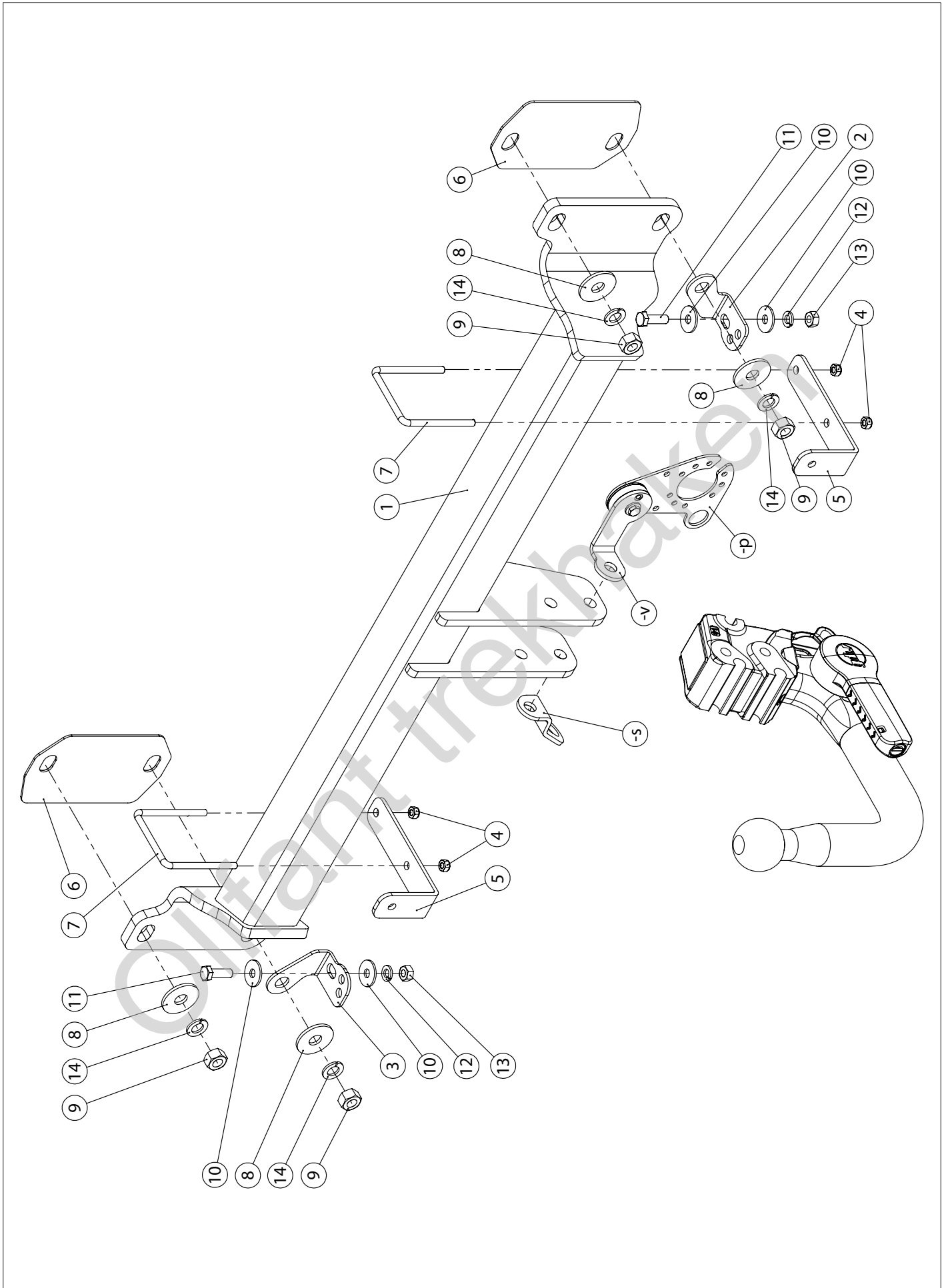
M SPORTPACKAGE ✓

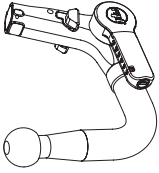

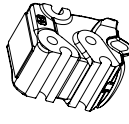


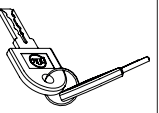

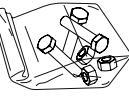




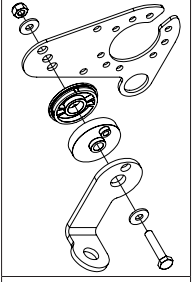



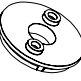
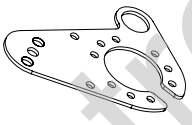

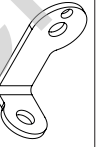
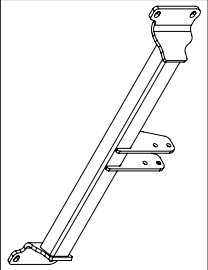



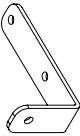




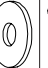


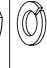




See the Certificate Of Conformity (COC) of your vehicle or contact your dealer to verify the max. trailer weight of your car!

MADE BY	<b>D 12,25</b>	<b>A50-X</b>	<b>E6</b>
			
BELGIUM	<b>S 130</b>	EC APPROVAL N°	
		<b>55R-011299</b>	
REF N°	SERIE N°		
<b>2140T60</b>			
<b>OMSCHRIJVING</b>			
BMW 7 10/'15- BMW 5 + M5 01/'17- BMW 5 Touring 03/'17- BMW 6 Gran Turismo 06/'17-			



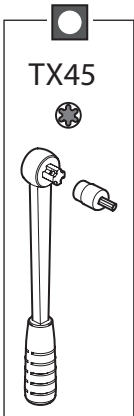
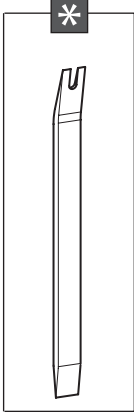


Geleverd met - Livré avec - Delivered with Geliefert mit - Elementos adjuntos-Leveres med		GDW REF. 960.V0810	X1		X1	GDW REF. 960.V0810
	↑	GDW REF. 740.200	X1		X1	GDW REF. 740.200
		GDW REF. 912.003	X1		X1	GDW REF. 912.003
	↑	GDW REF. 740.112	X1		X1	GDW REF. 740.112
	↑	GDW REF. 740.111	X1		X1	GDW REF. 740.111
		GDW REF. 740.114	X1		X1	GDW REF. 740.114
		GDW REF. 718.15.001	X1		X1	GDW REF. 718.15.001
		GDW REF. SYST60-100	X1		X1	GDW REF. SYST60-100
	↑	DIN933-M12 X 25	X2		X2	DIN933-M12 X 25
	↑	DIN933-M12 X 20	X2		X2	DIN933-M12 X 20
	↑	Ø 14 X 24 X 1	X4		X4	Ø 14 X 24 X 1
	↑	DIN128A-M12	X4		X4	DIN128A-M12
		GDW REF. P46	X1		X1	GDW REF. P46
	↑	DIN985-M6	X1		X1	DIN985-M6
	↑	6,2 X 15,4 X 1,6 (NYLON)	X2		X2	6,2 X 15,4 X 1,6 (NYLON)
	↑	GDW REF. 718.16.002	X1		X1	GDW REF. 718.16.002
	↑	GDW REF. 718.16.003	X1		X1	GDW REF. 718.16.003
	↑	GDW REF. 908.094	X1		X1	GDW REF. 908.094
	↑	DIN933-M6 X 30	X1		X1	DIN933-M6 X 30
	↑	GDW REF. 908.101	X1		X1	GDW REF. 908.101
1	X1	GDW REF. 2140T60		X1	GDW REF. 2140T60	
2	X1	GDW REF. 2		X1	GDW REF. 2	
3	X1	GDW REF. 3		X1	GDW REF. 3	
4	X4	DIN985-M6		X4	DIN985-M6	
5	X2	GDW REF. 5		X2	GDW REF. 5	
6	X2	GDW REF. 6		X2	GDW REF. 6	
7	X2	700.44.06083067		X2	700.44.06083067	
8	X4	DIN9021-M12-ELVZ		X4	DIN9021-M12-ELVZ	
9	X4	DIN934-M12 - 1.5		X4	DIN934-M12 - 1.5	
10	X4	DIN9021-M8-ELVZ		X4	DIN9021-M8-ELVZ	
11	X2	DIN933-M8X25		X2	DIN933-M8X25	
12	X2	DIN128A-M8		X2	DIN128A-M8	
13	X2	DIN934-M8		X2	DIN934-M8	
14	X4	DIN128A-M12		X4	DIN128A-M12	
-5	X1	GDW REF. 900.053		X1	GDW REF. 900.053	

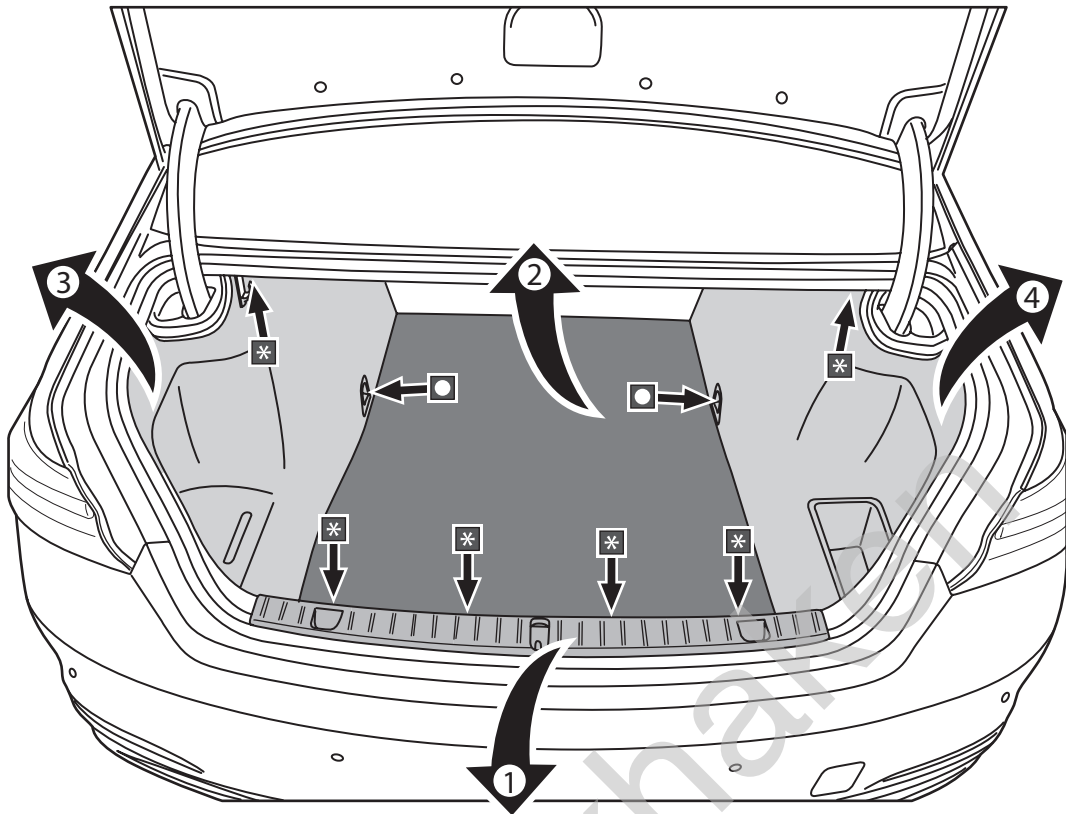


1

BMW 7

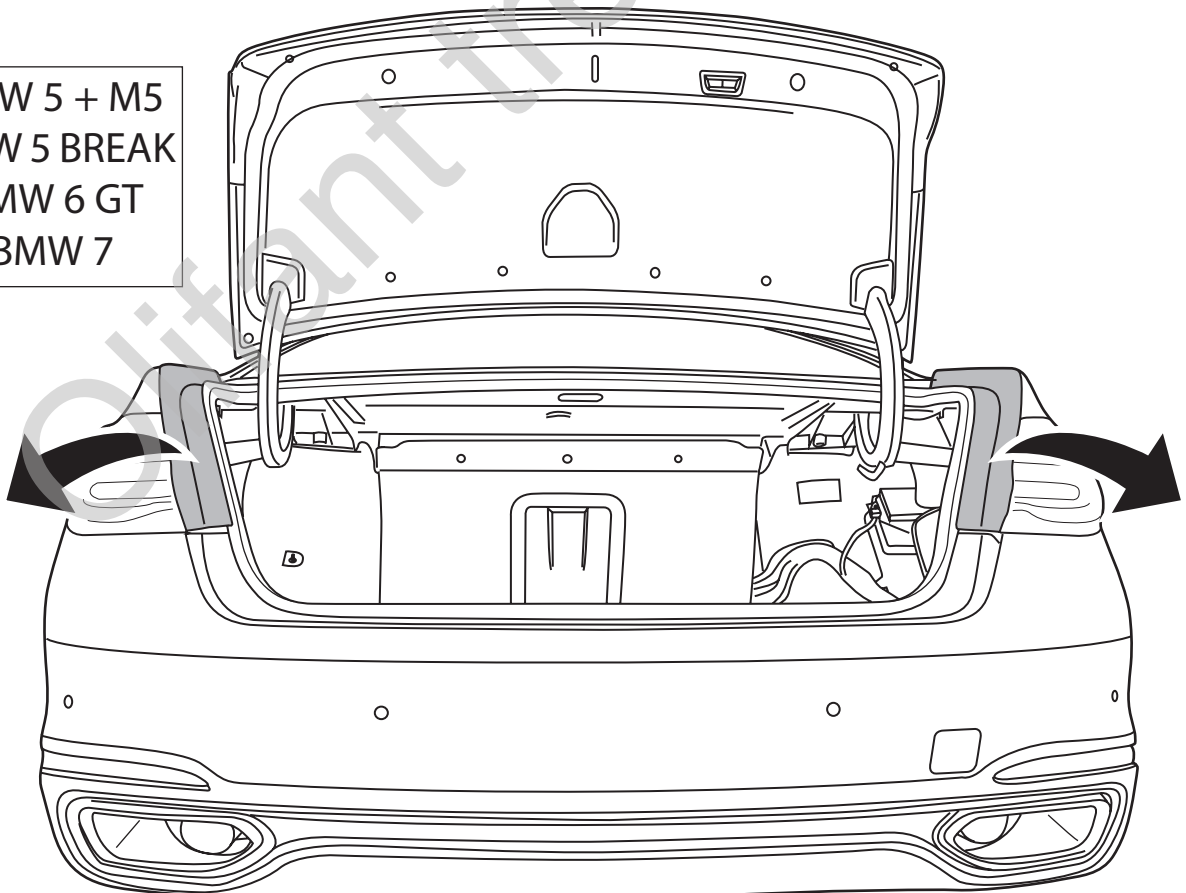


TX45



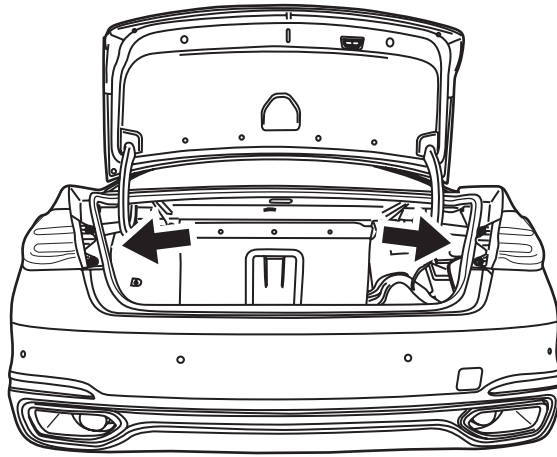
2

BMW 5 + M5  
 BMW 5 BREAK  
 BMW 6 GT  
 BMW 7

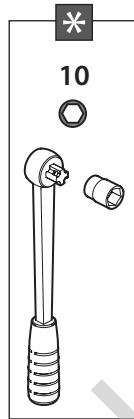
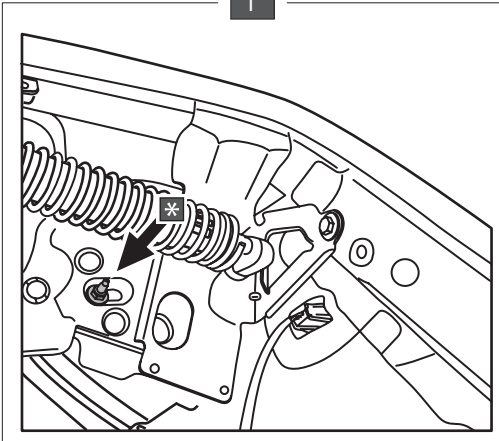


3

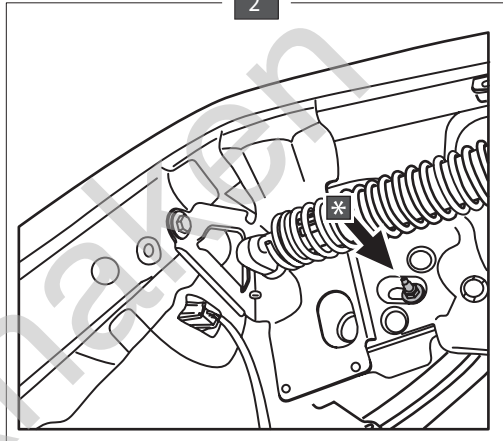
BMW 7  
BMW 5 BREAK



1

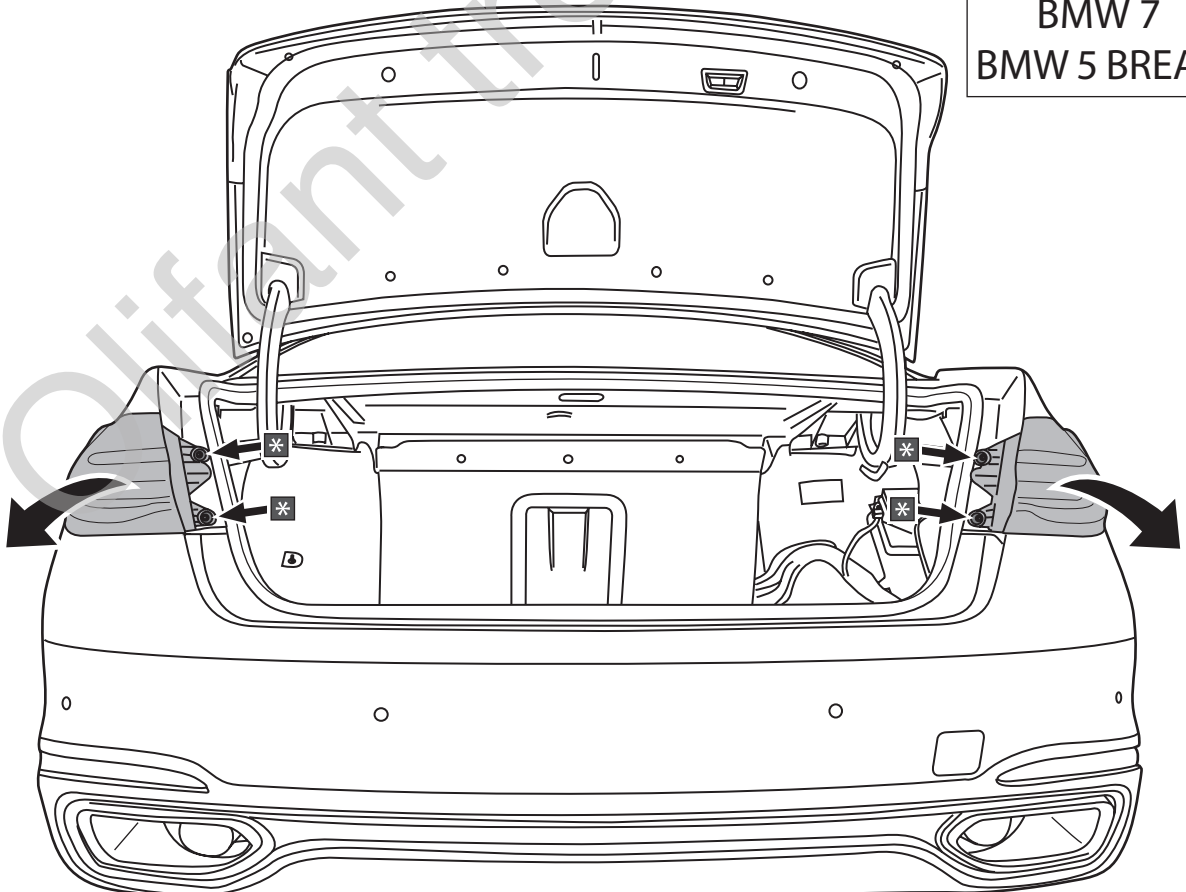
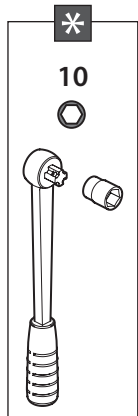


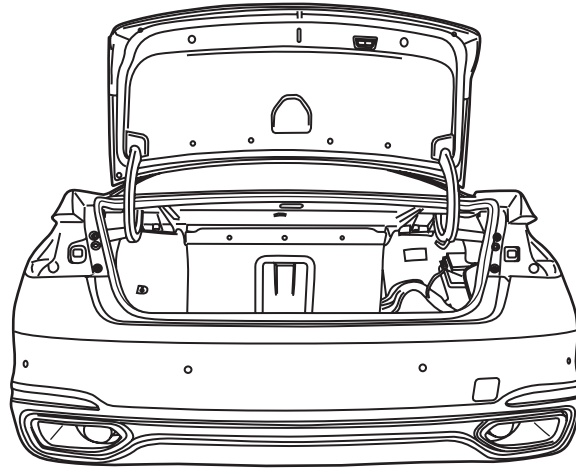
2



4

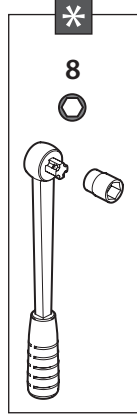
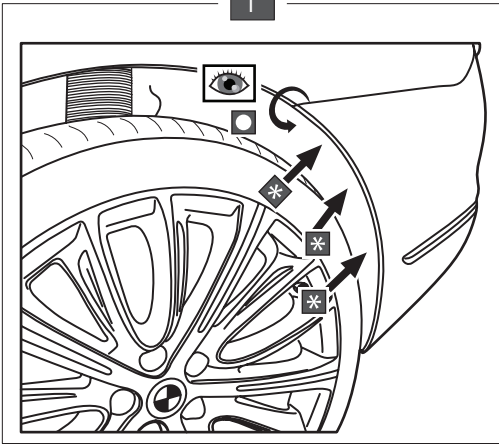
BMW 7  
BMW 5 BREAK





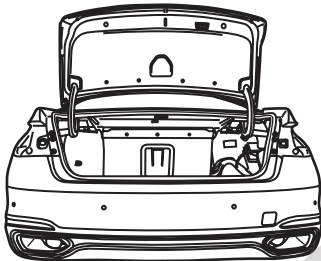
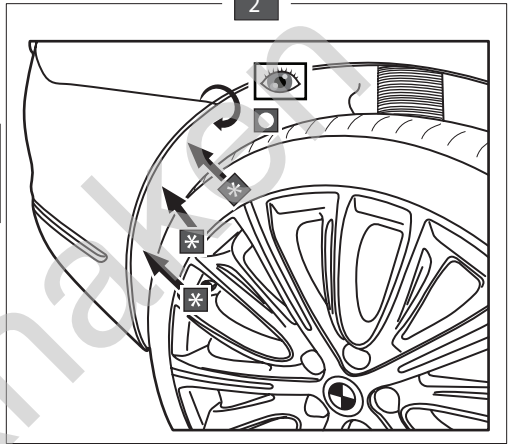
BMW 5 + M5  
BMW 5 BREAK  
BMW 6 GT  
BMW 7

1

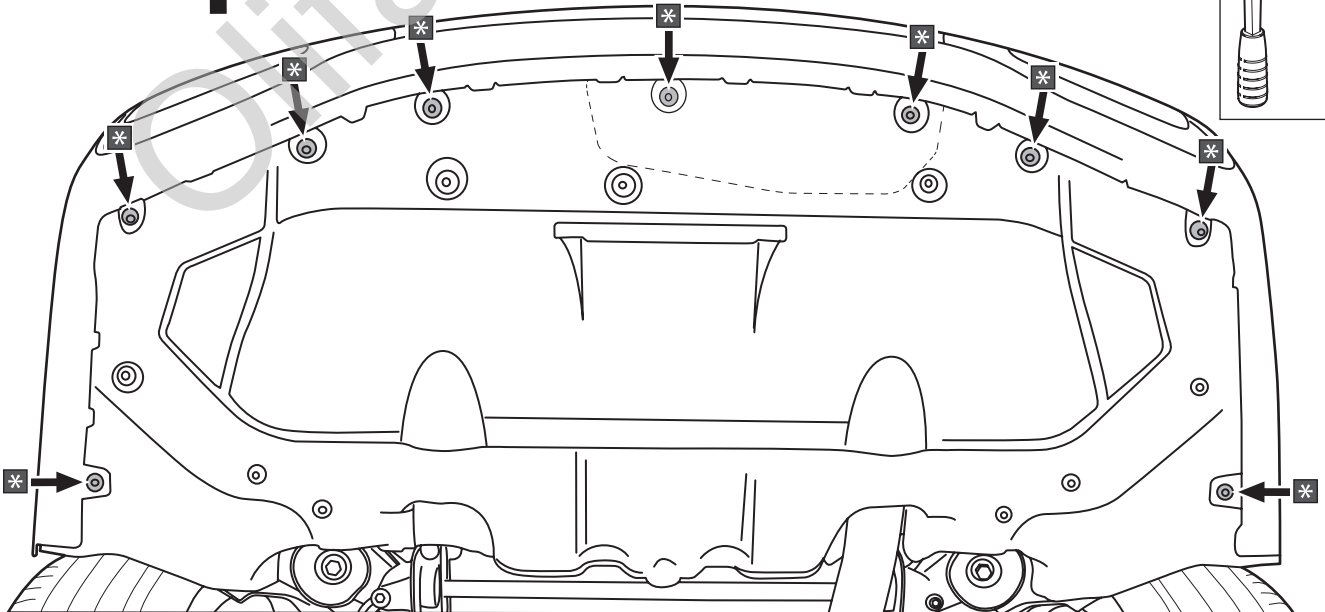
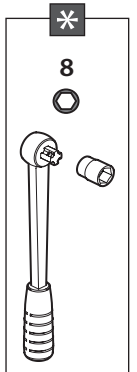


ONLY 6 GT

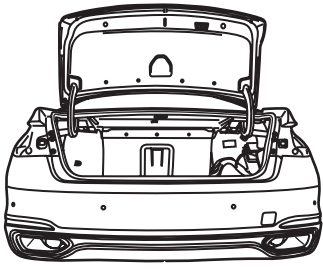
2



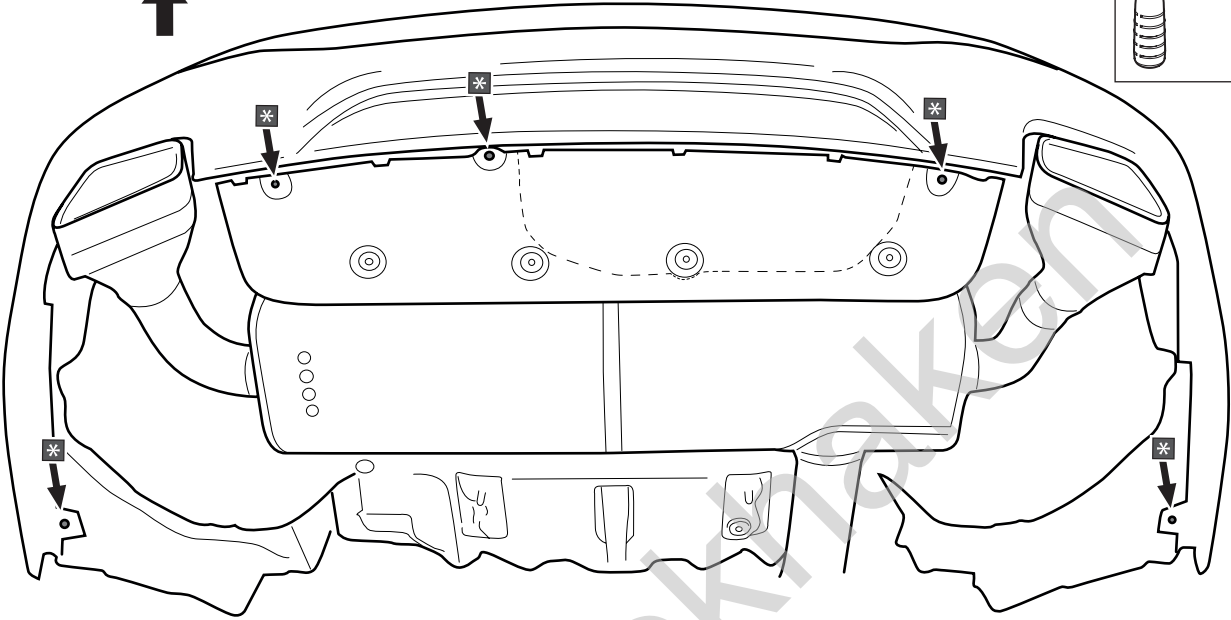
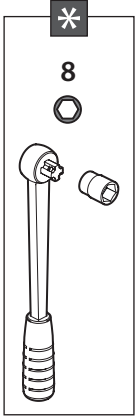
BMW 5  
BMW 5 BREAK  
BMW 7



7

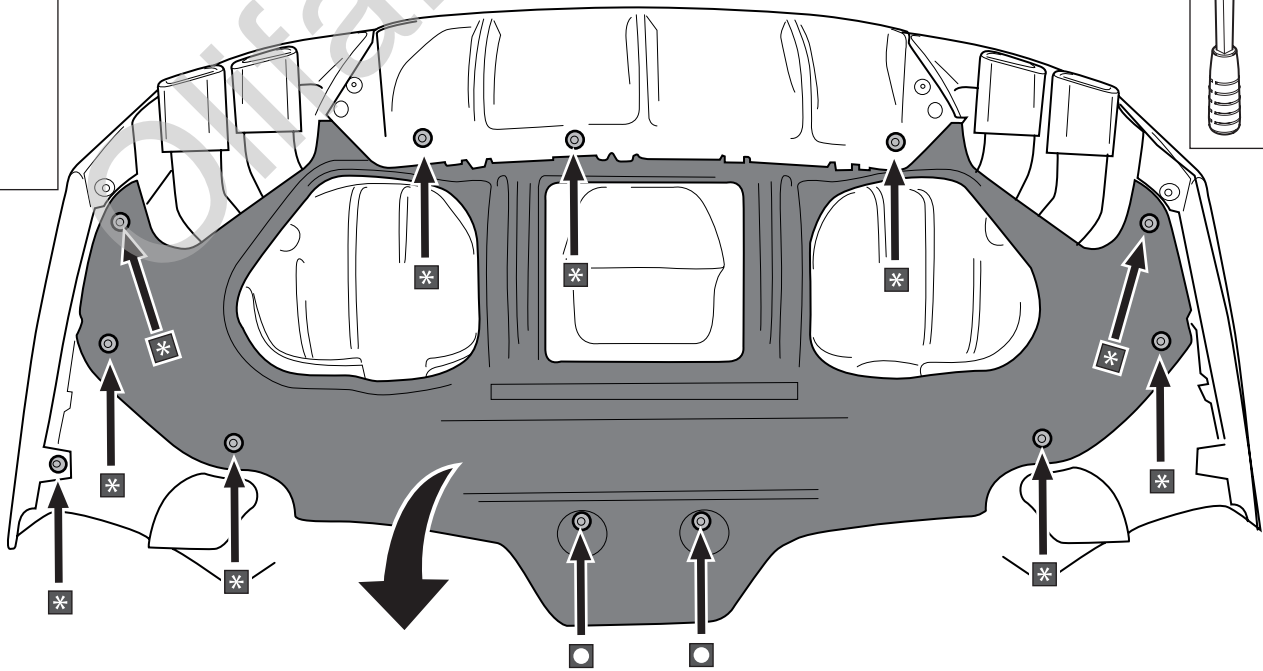
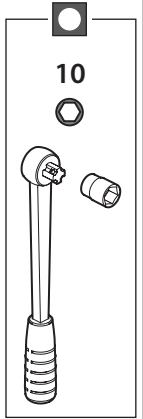
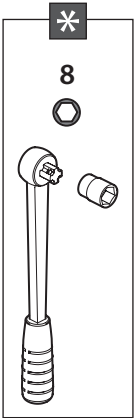


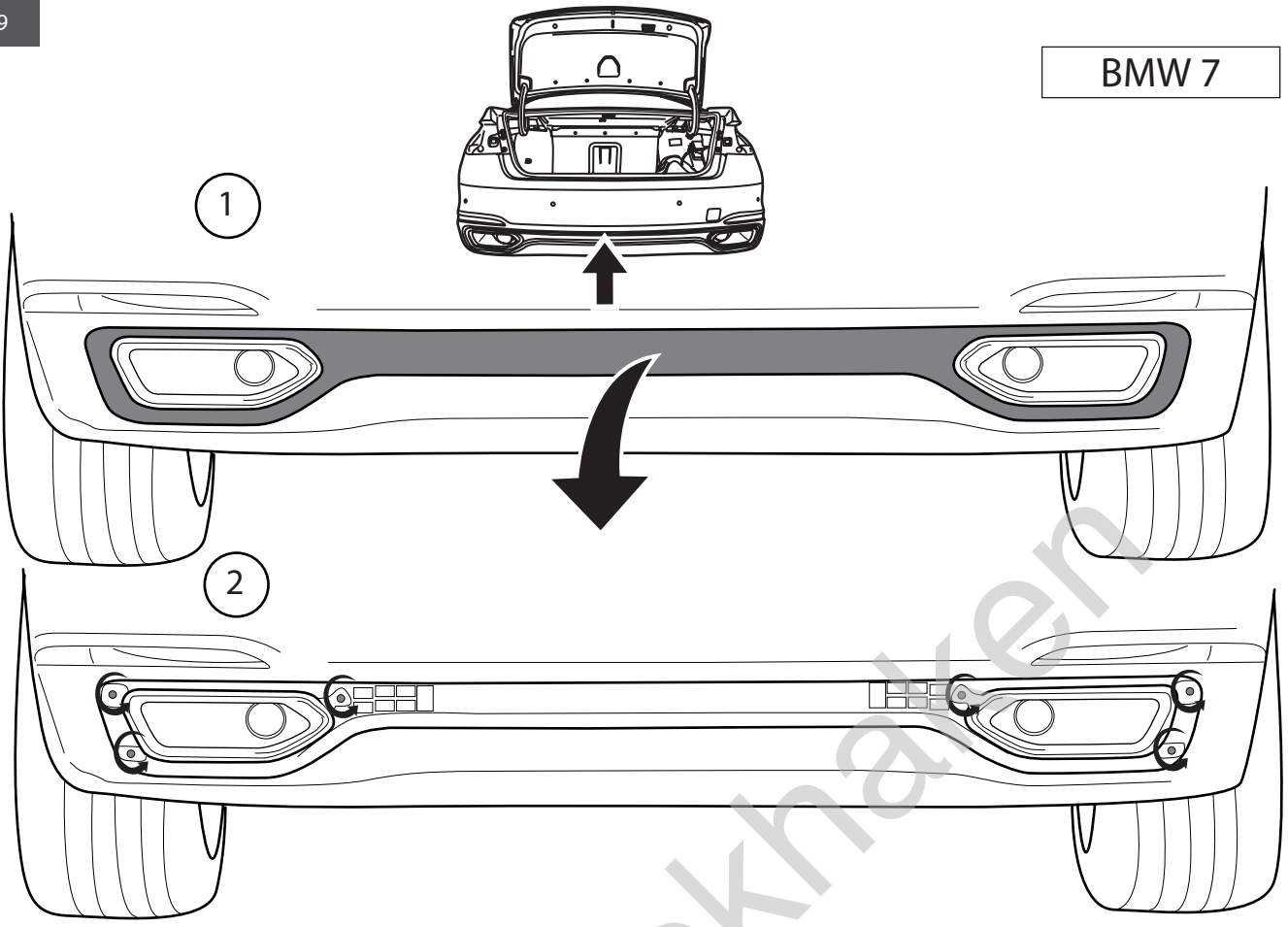
BMW 6 GT



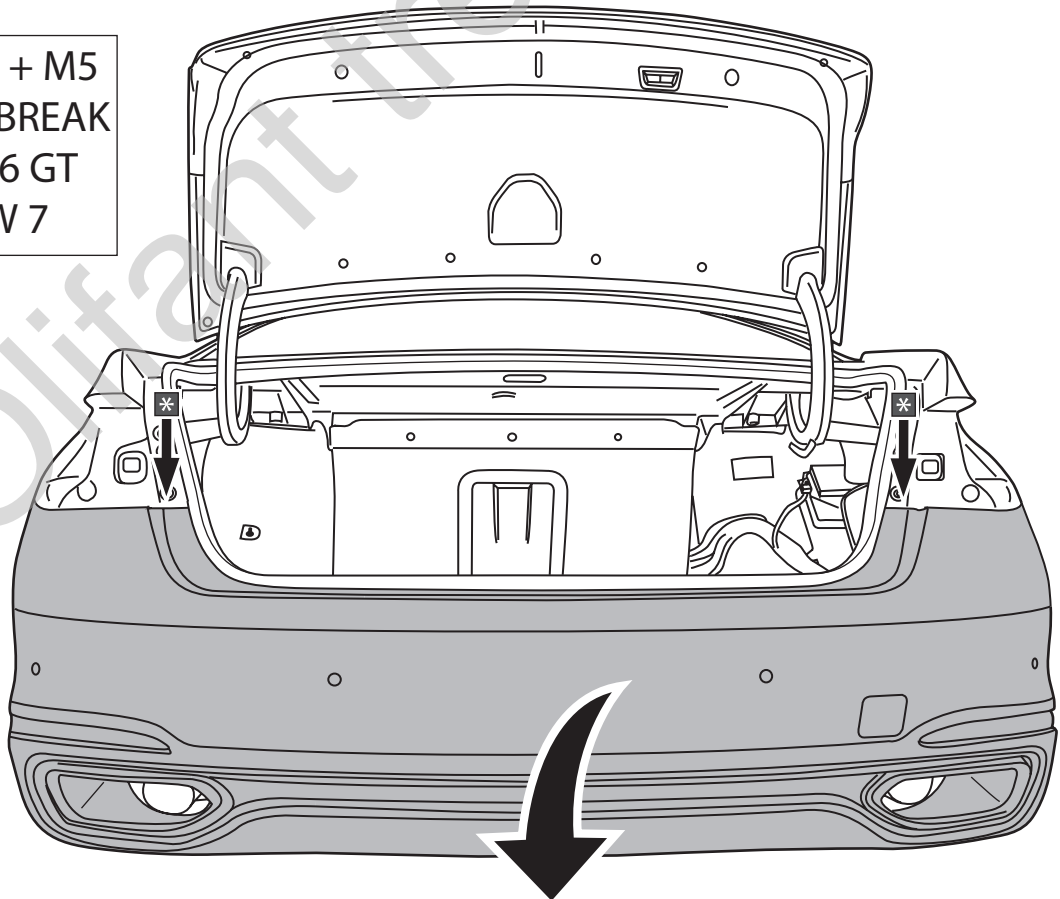
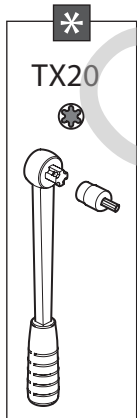
8

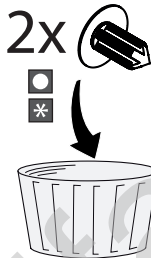
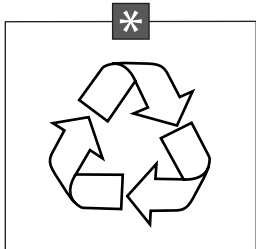
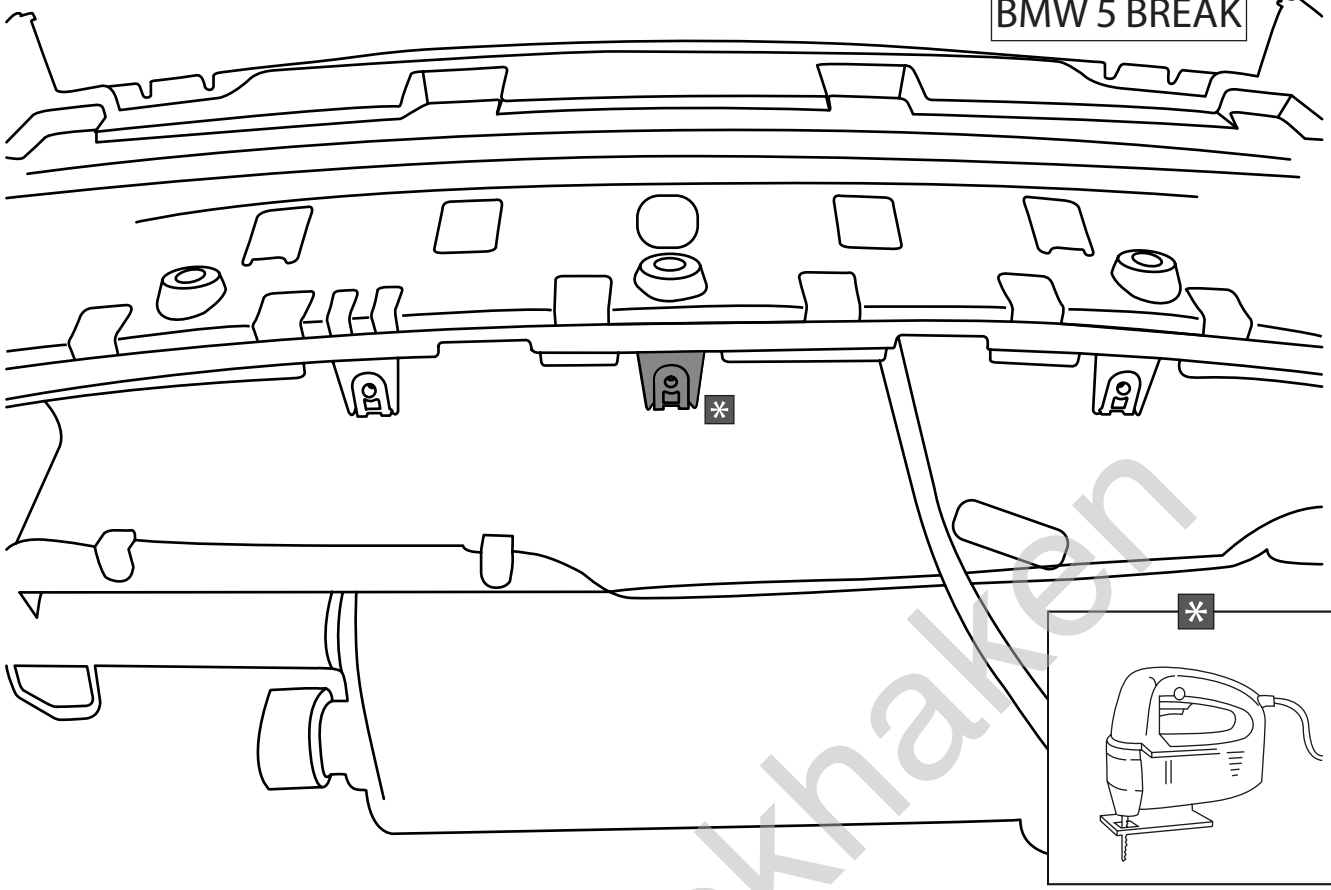
BMW M5



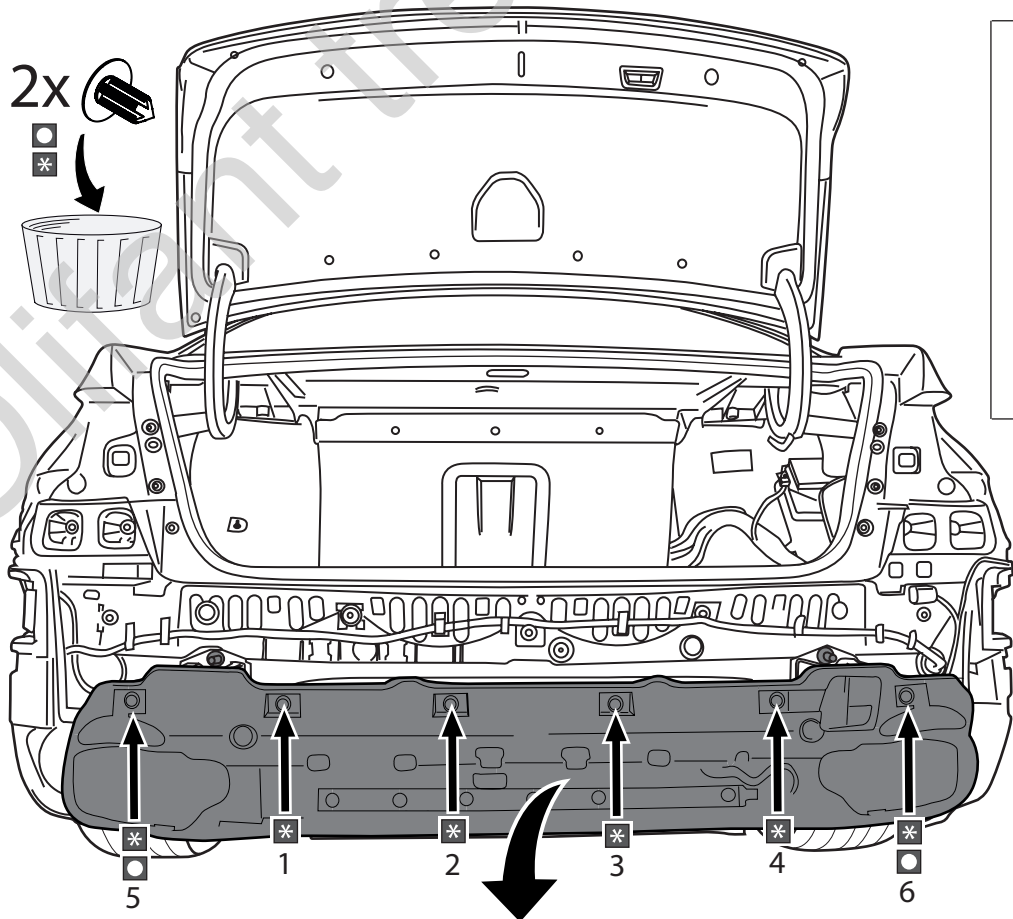
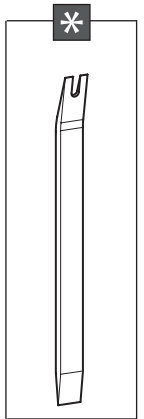


BMW 5 + M5  
 BMW 5 BREAK  
 BMW 6 GT  
 BMW 7

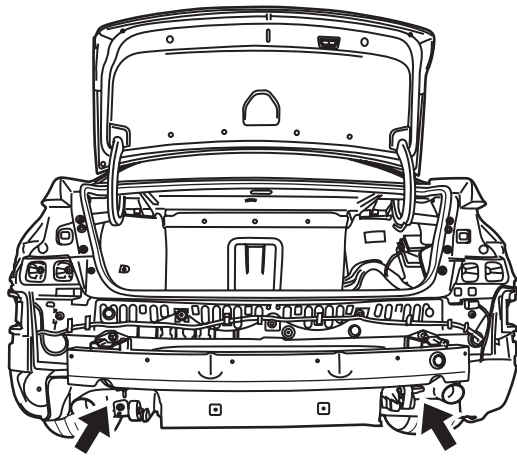




\* ●  
ONLY  
BMW 6 GT  
BMW 7

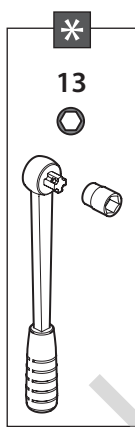
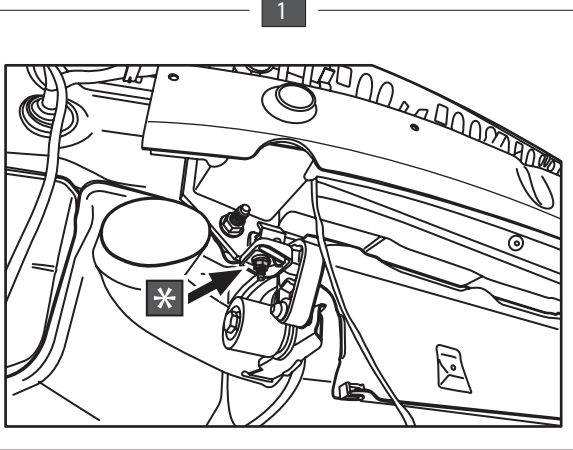




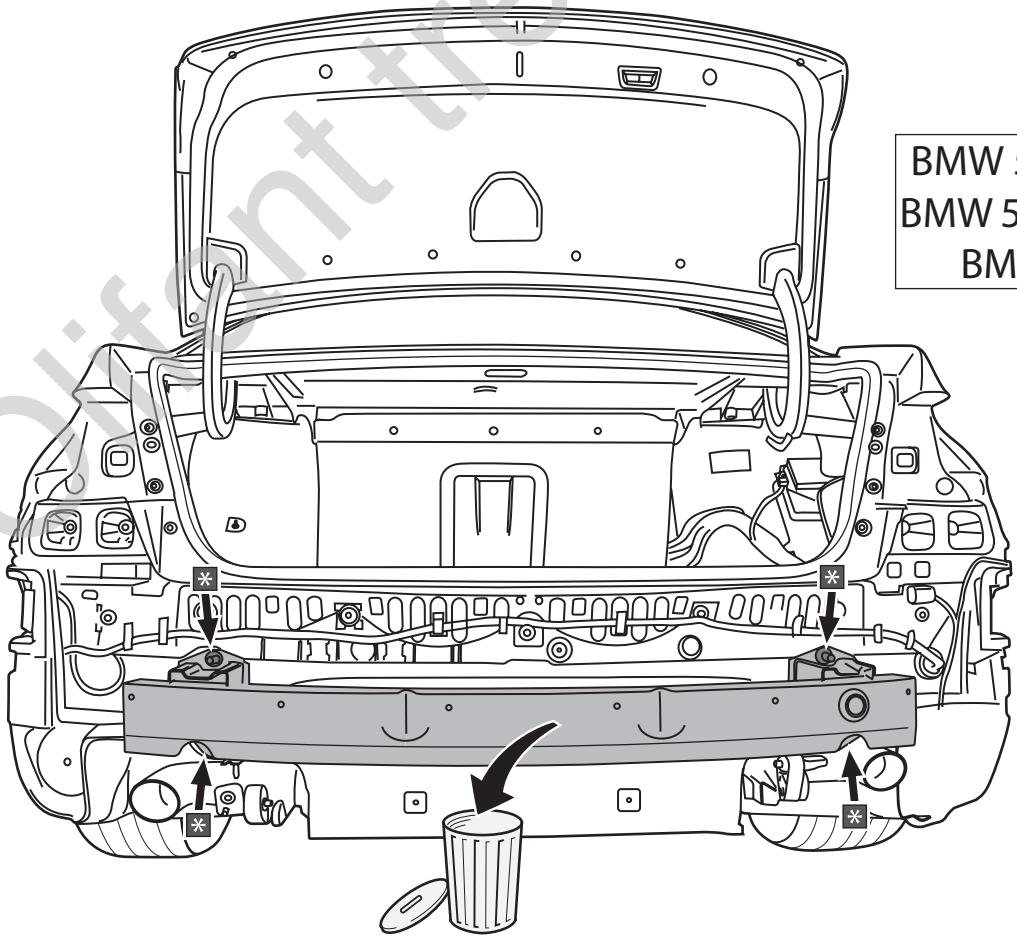
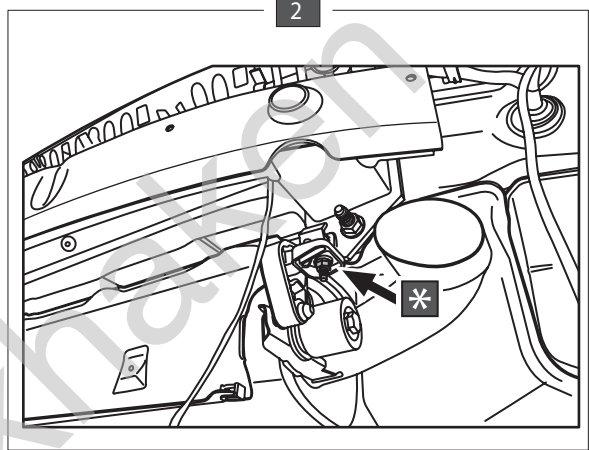


BMW 5 + M5  
 BMW 5 BREAK  
 BMW 6 GT  
 BMW 7

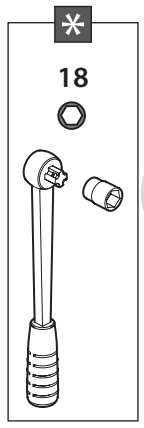
1



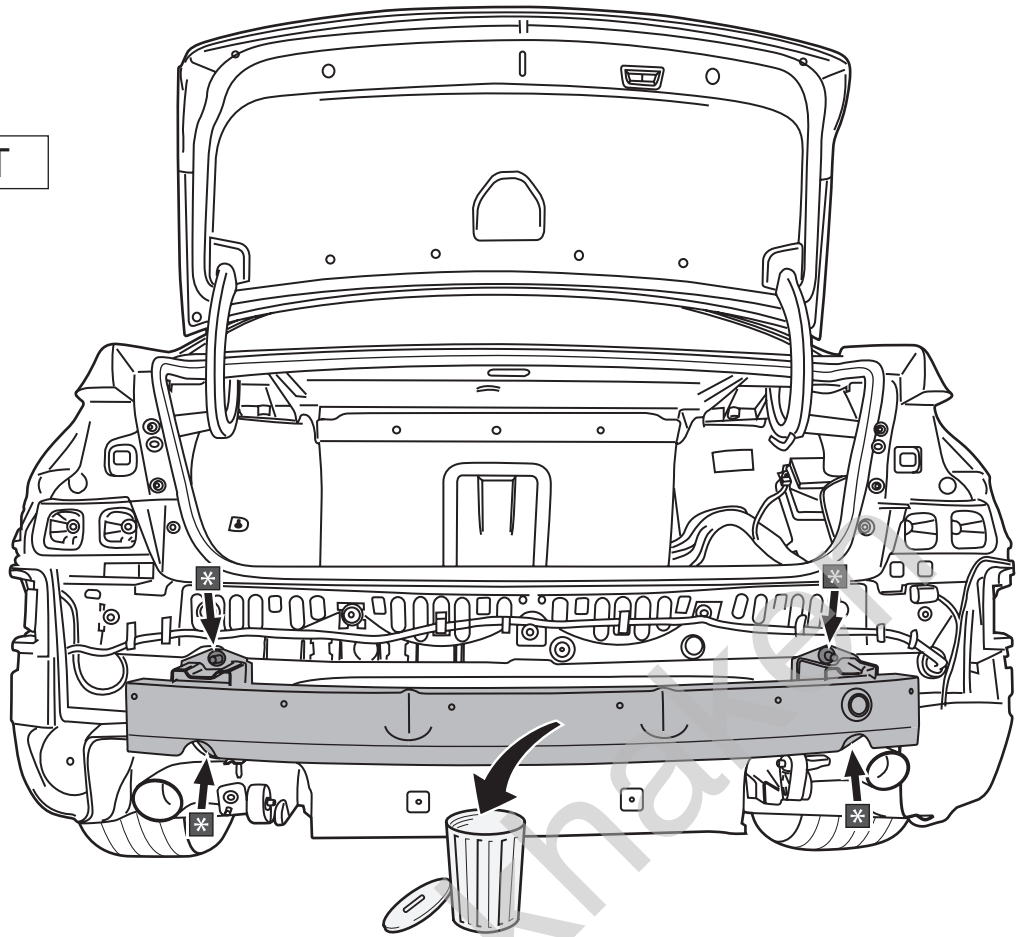
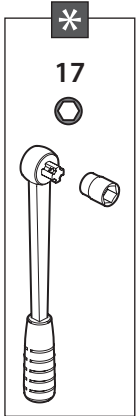
2



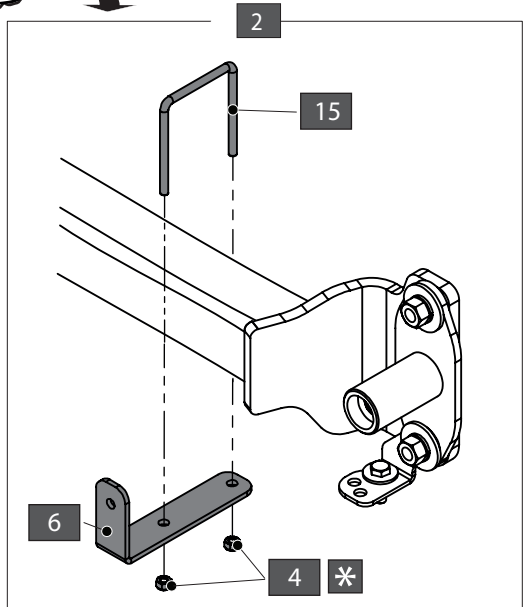
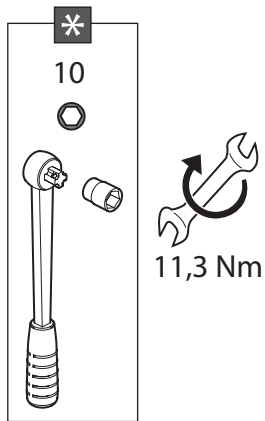
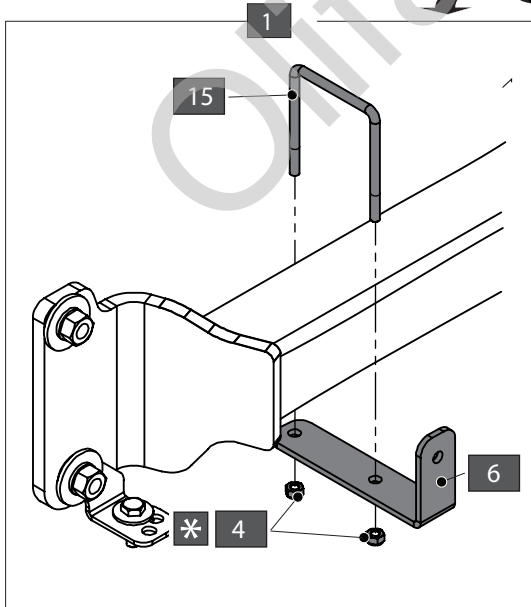
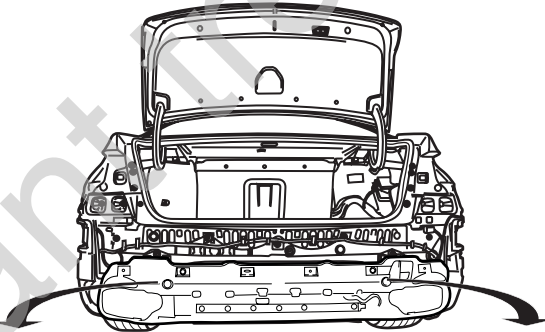
BMW 5 + M5  
 BMW 5 BREAK  
 BMW 7



BMW 6 GT

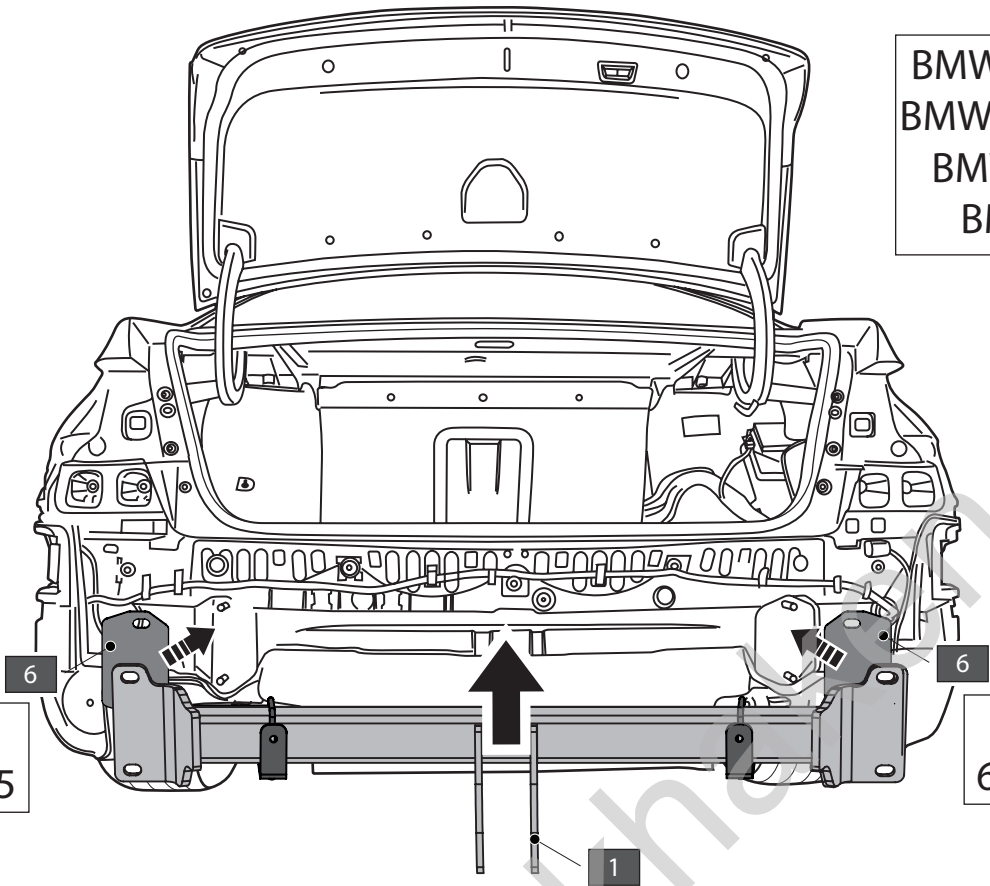


BMW 5 + M5  
 BMW 5 BREAK  
 BMW 6 GT  
 BMW 7





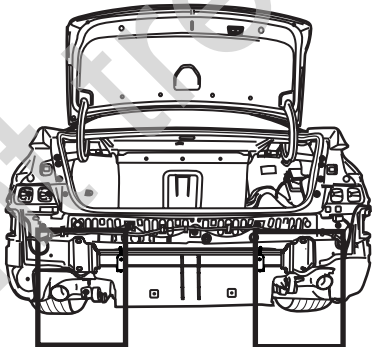
BMW 5 + M5  
BMW 5 BREAK  
BMW 6 GT  
BMW 7



ONLY  
6 GT & M5

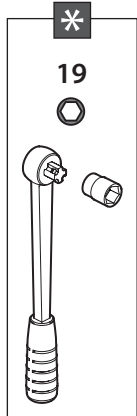
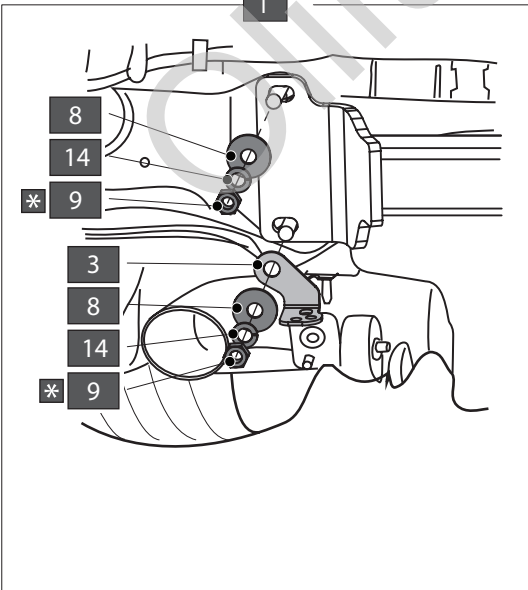
ONLY  
6 GT & M5

BMW 5 + M5  
BMW 5 BREAK  
BMW 6 GT  
BMW 7

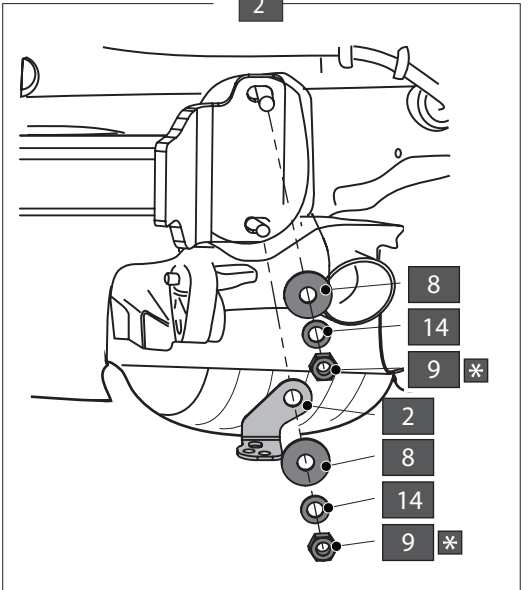


1

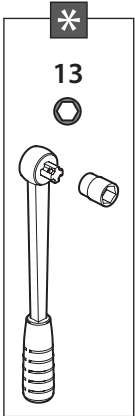
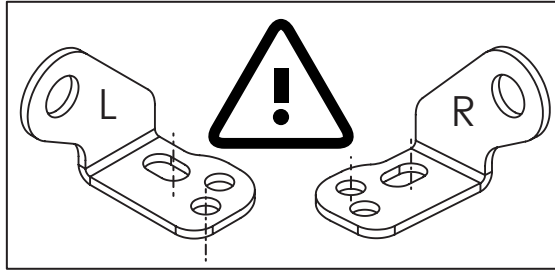
2



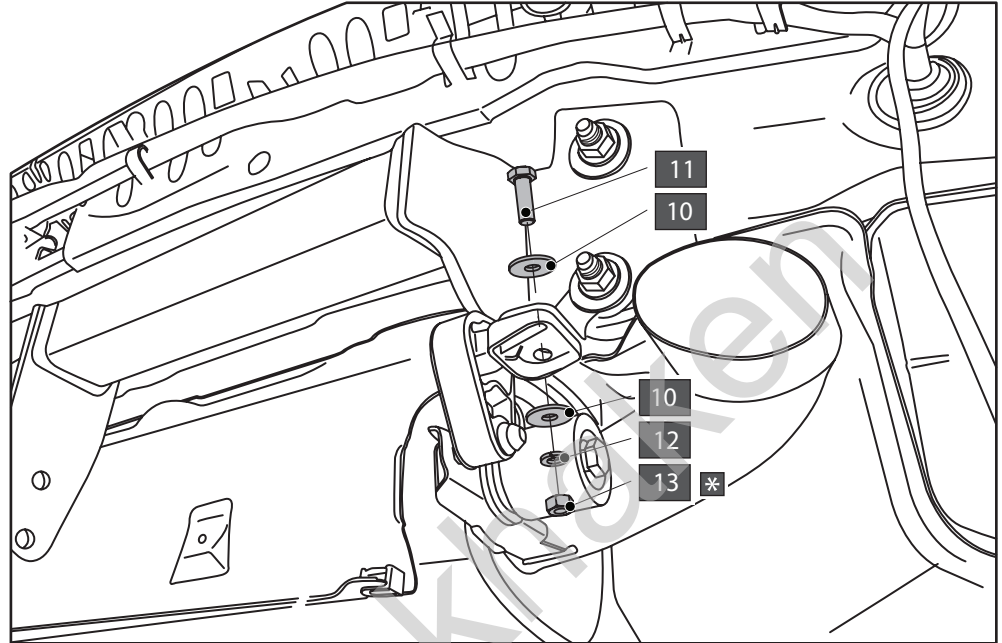
93,0 Nm



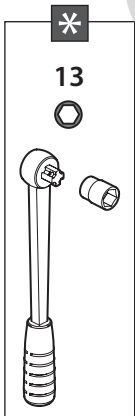
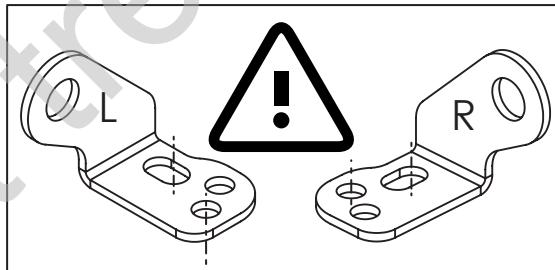
BMW 5 + M5  
 BMW 5 BREAK  
 BMW 6 GT  
 BMW 7



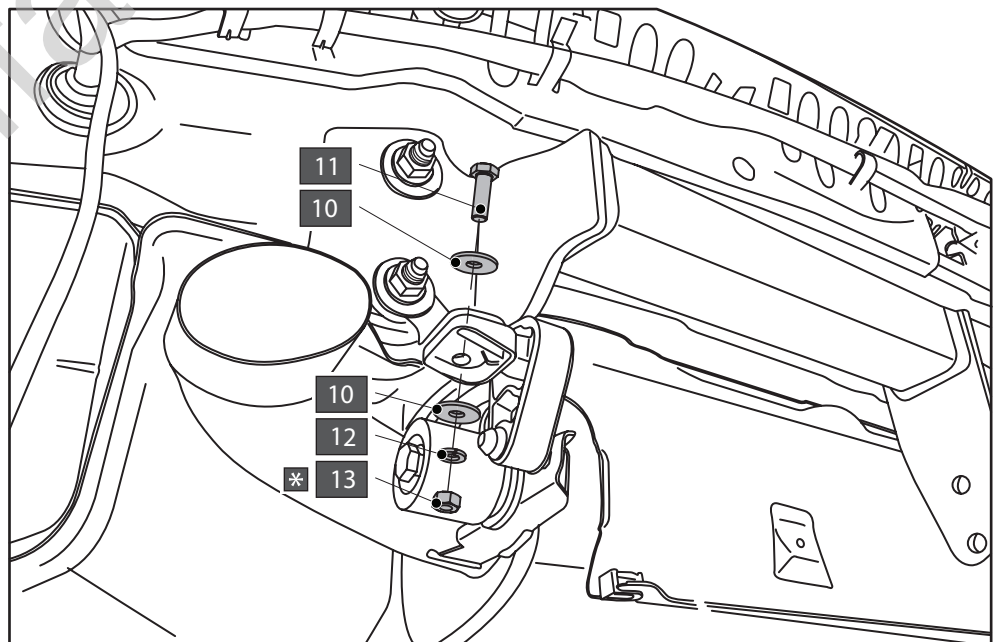
27,3 Nm

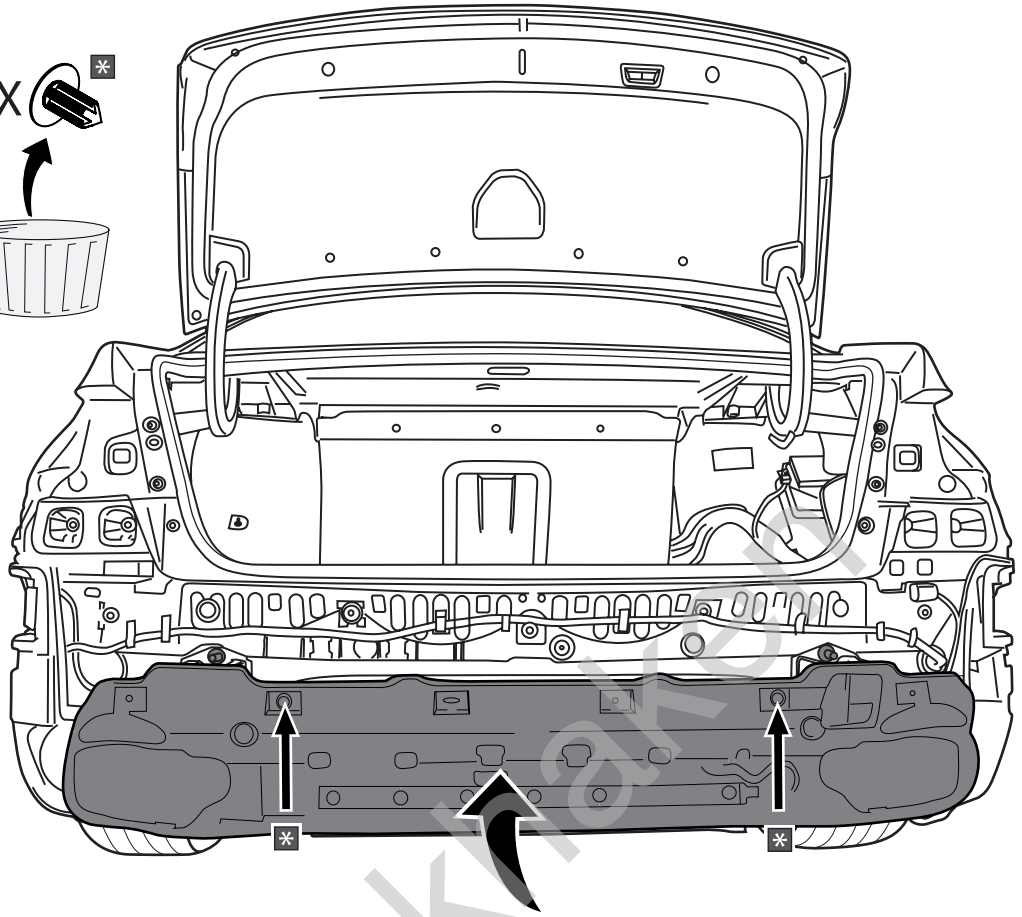
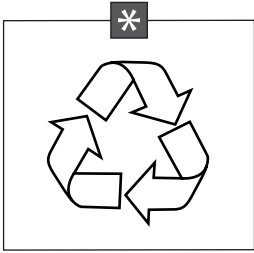


BMW 5 + M5  
 BMW 5 BREAK  
 BMW 6 GT  
 BMW 7

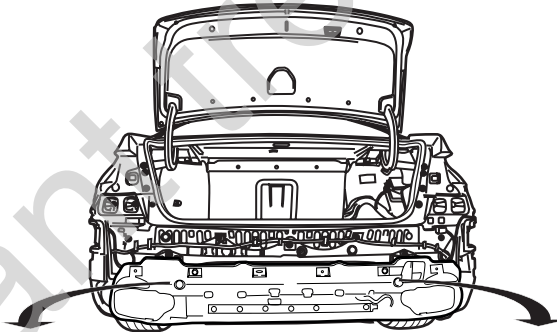


27,3 Nm

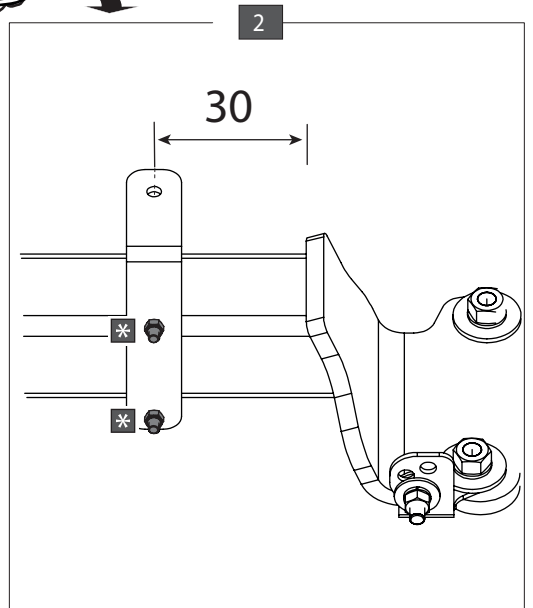
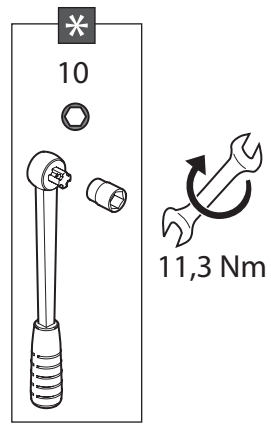
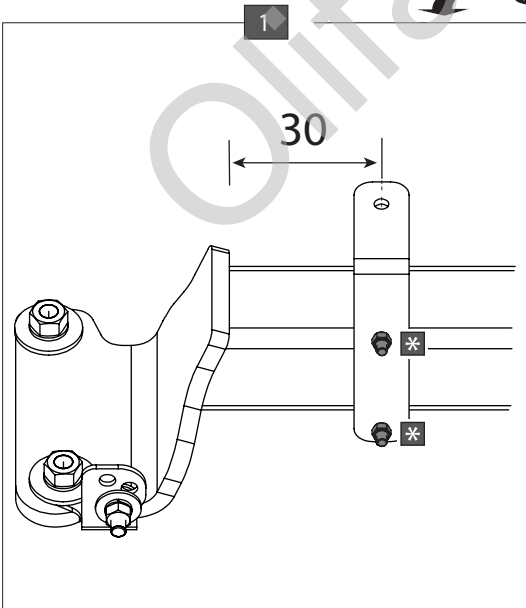




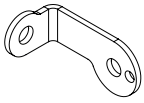



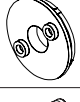

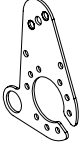
BMW 5 + M5  
 BMW 5 BREAK  
 BMW 6 GT  
 BMW 7

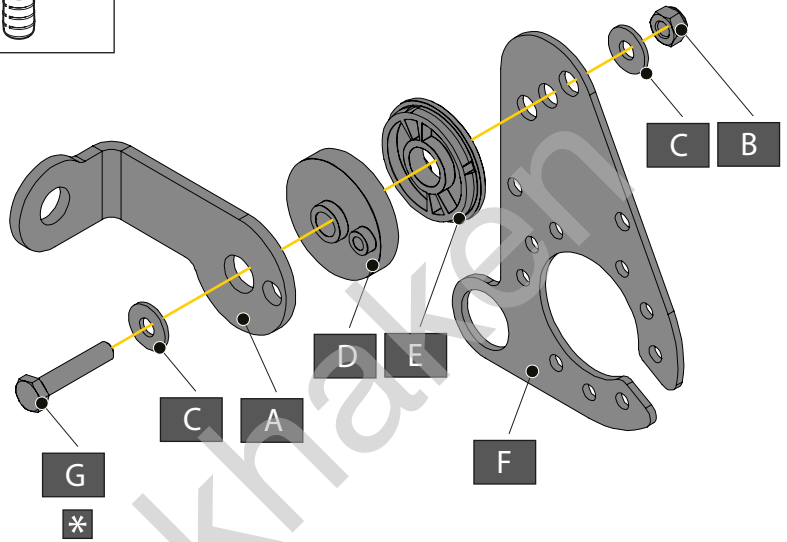
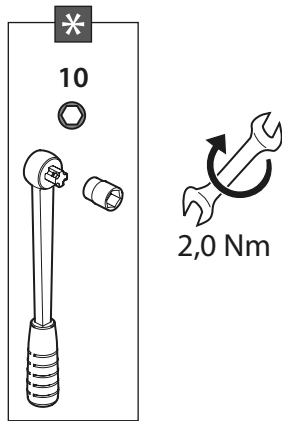


BMW 5 + M5  
 BMW 5 BREAK  
 BMW 6 GT  
 BMW 7

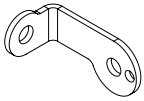



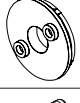

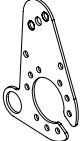


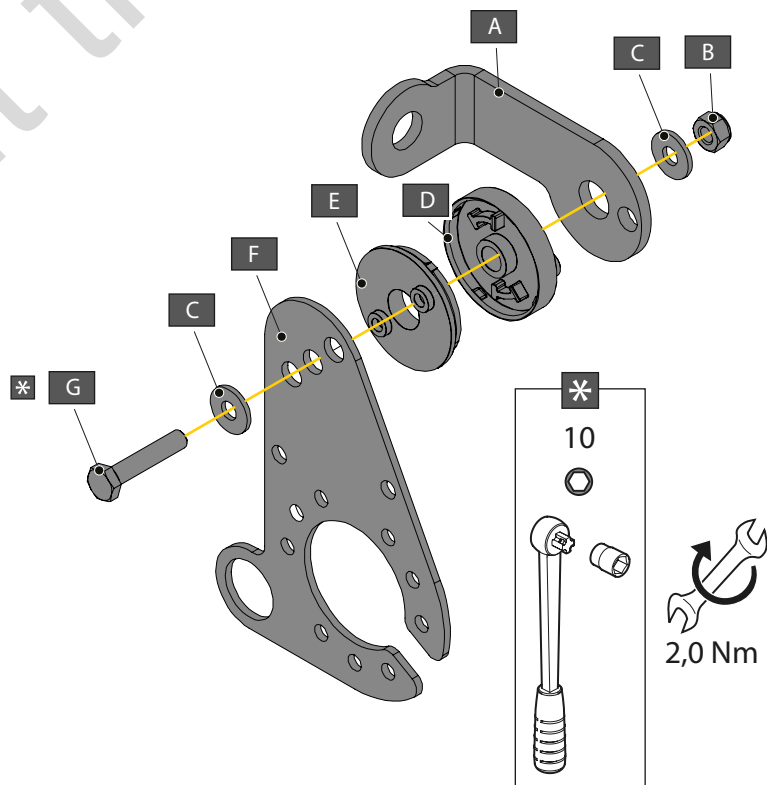
**BMW 5**  
**BMW 5 BREAK**  
**BMW 6 GT**  
**BMW 7**

A		X1 GDW REF. 908.101
B		X1 DIN985-M6
C		X2 Ø15,4 X 6,2 X 1,6 (NYLON)
D		X1 GDW REF. 718.16.002
E		X1 GDW REF. 718.16.003
F		X1 DIN933-M6 X 30
G		X1 GDW REF. 908.094

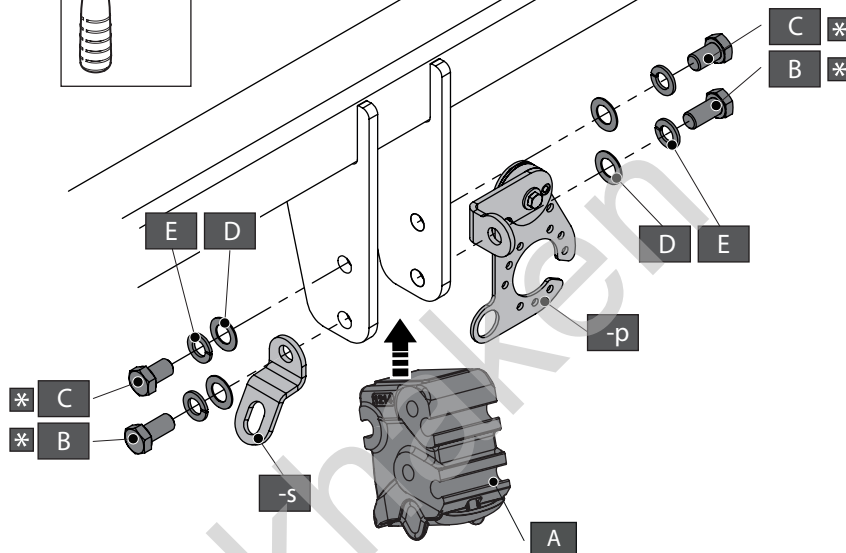
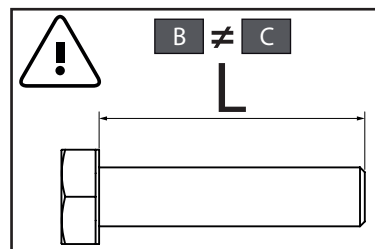
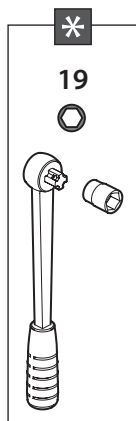


**BMW 5 GT**

A		X1 GDW REF. 908.101
B		X1 DIN985-M6
C		X2 Ø15,4 X 6,2 X 1,6 (NYLON)
D		X1 GDW REF. 718.16.002
E		X1 GDW REF. 718.16.003
F		X1 DIN933-M6 X 30
G		X1 GDW REF. 908.094

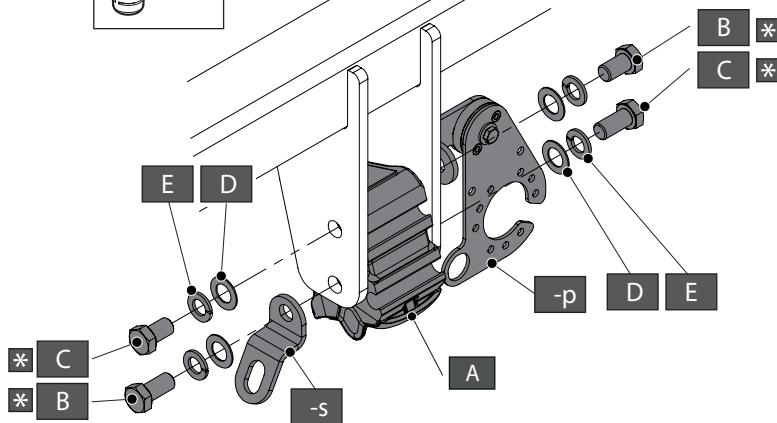
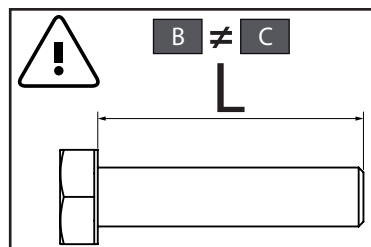
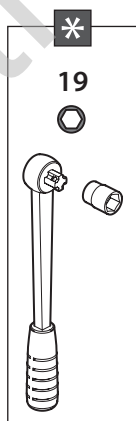


BMW 5  
 BMW 5 BREAK  
 BMW 6 GT  
 BMW 7



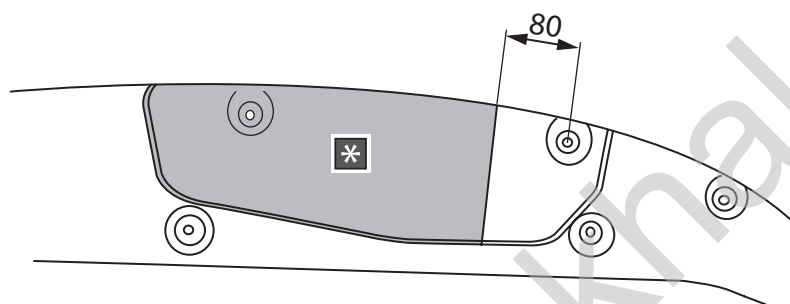
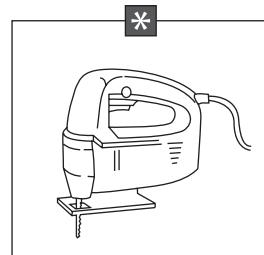
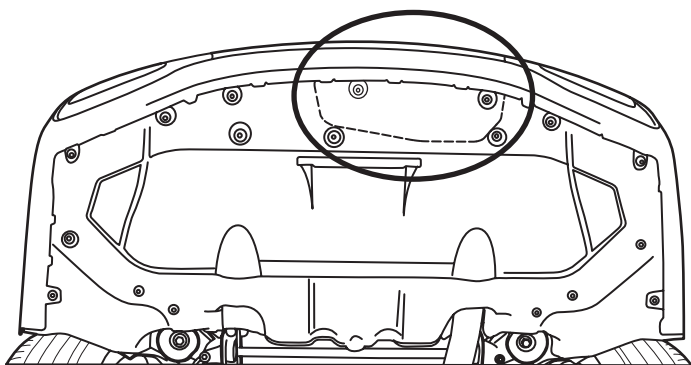
A		X1	912.003
B		X2	DIN933-M12 X 25
C		X2	DIN933-M12 X 20
D		X4	Ø 14 X 24 X 1
E		X4	DIN128A-M12

BMW 5 GT

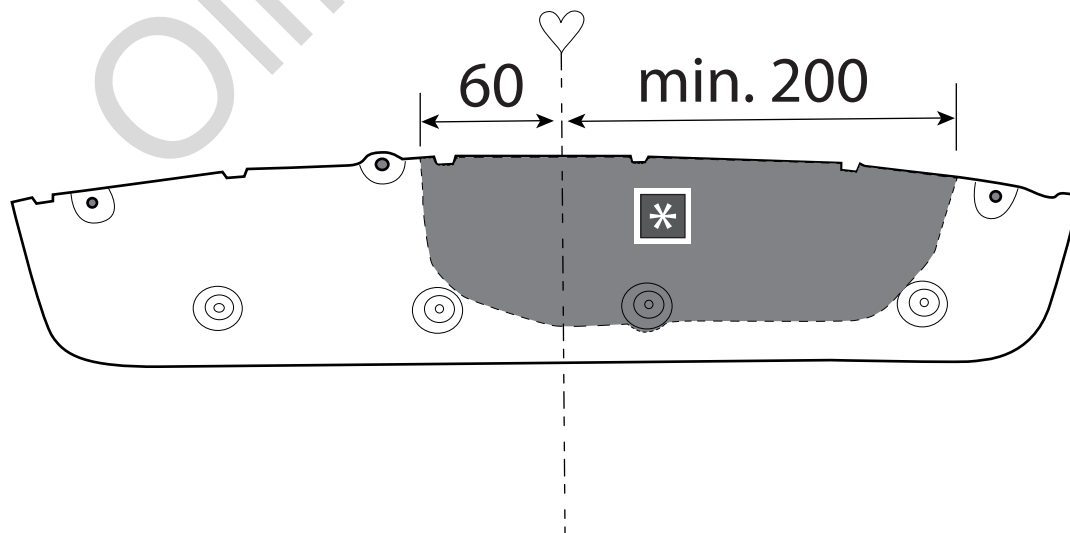
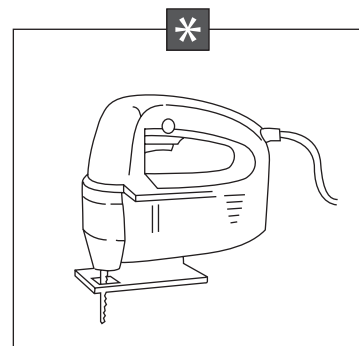
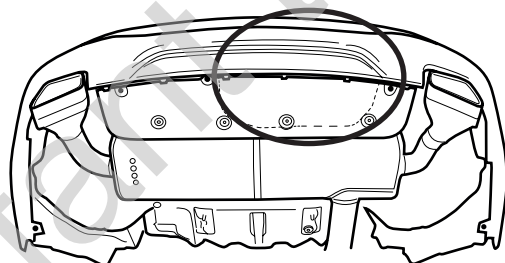


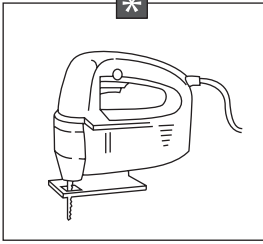
A		X1	912.003
B		X2	DIN933-M12 X 25
C		X2	DIN933-M12 X 20
D		X4	Ø 14 X 24 X 1
E		X4	DIN128A-M12

BMW 7

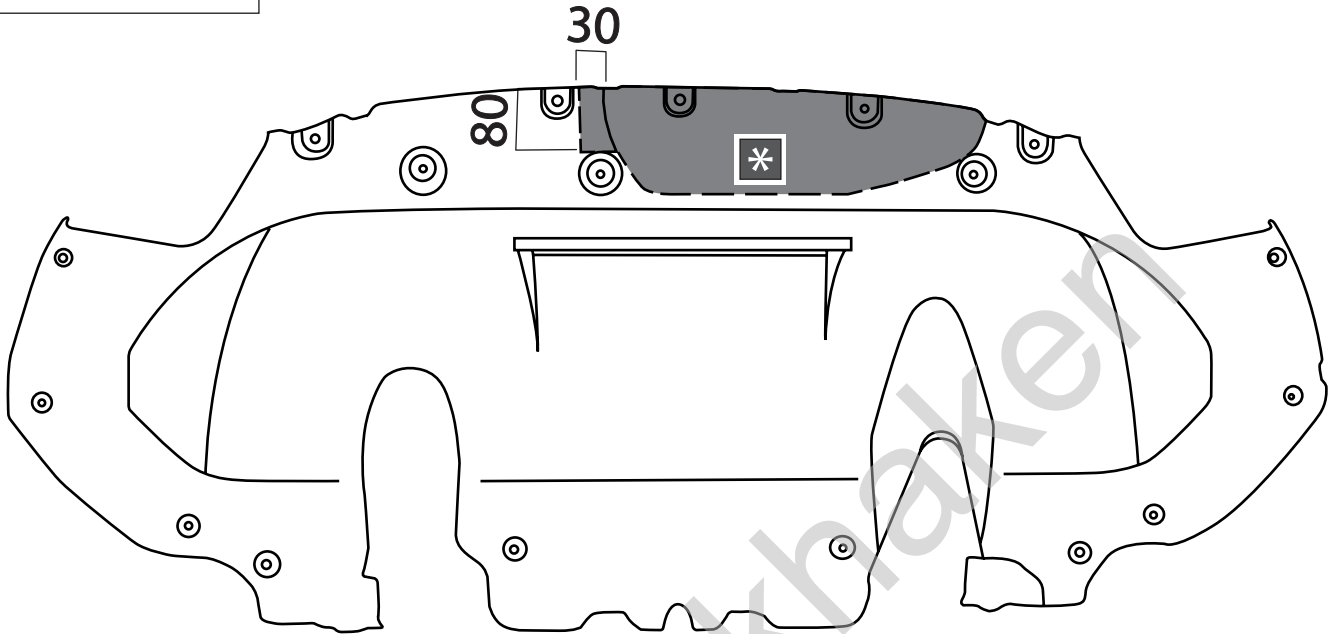


BMW 6 GT



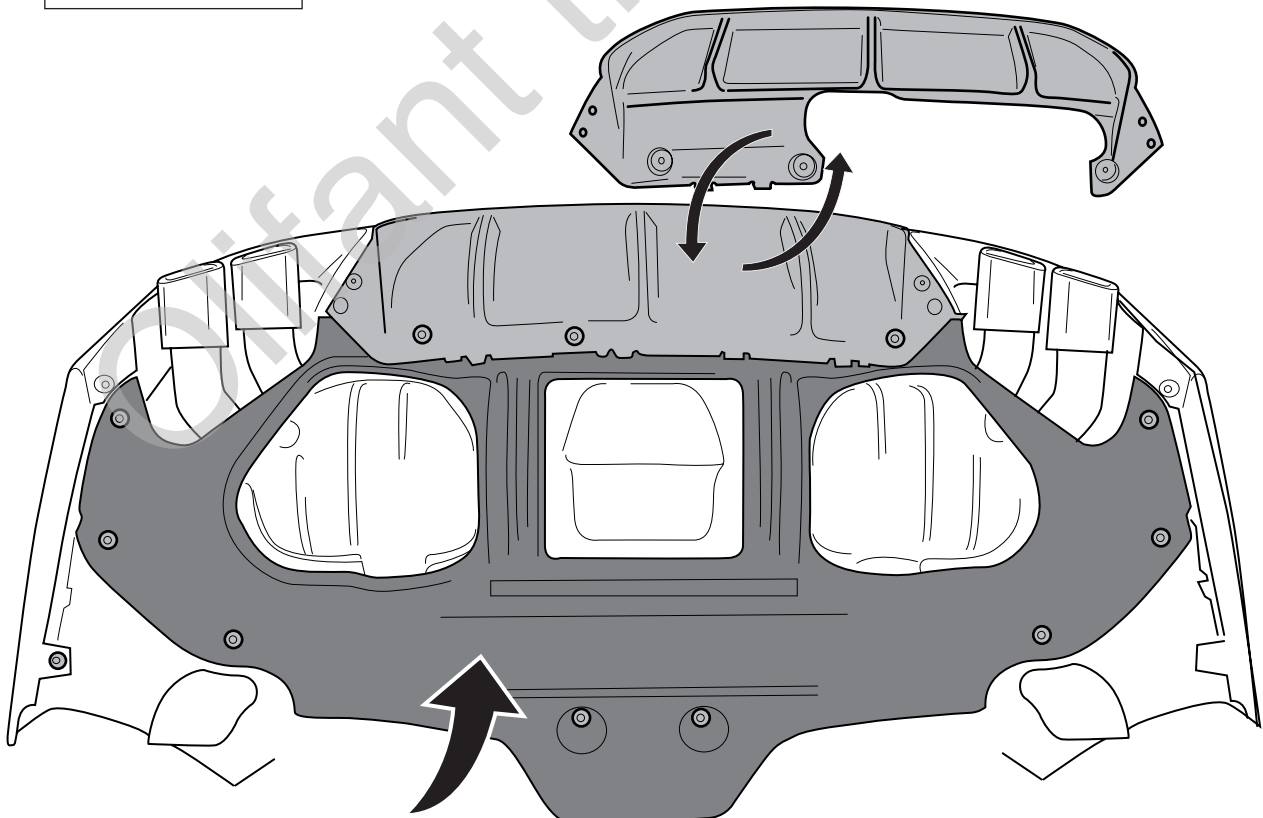


BMW 5  
BMW 5 BREAK

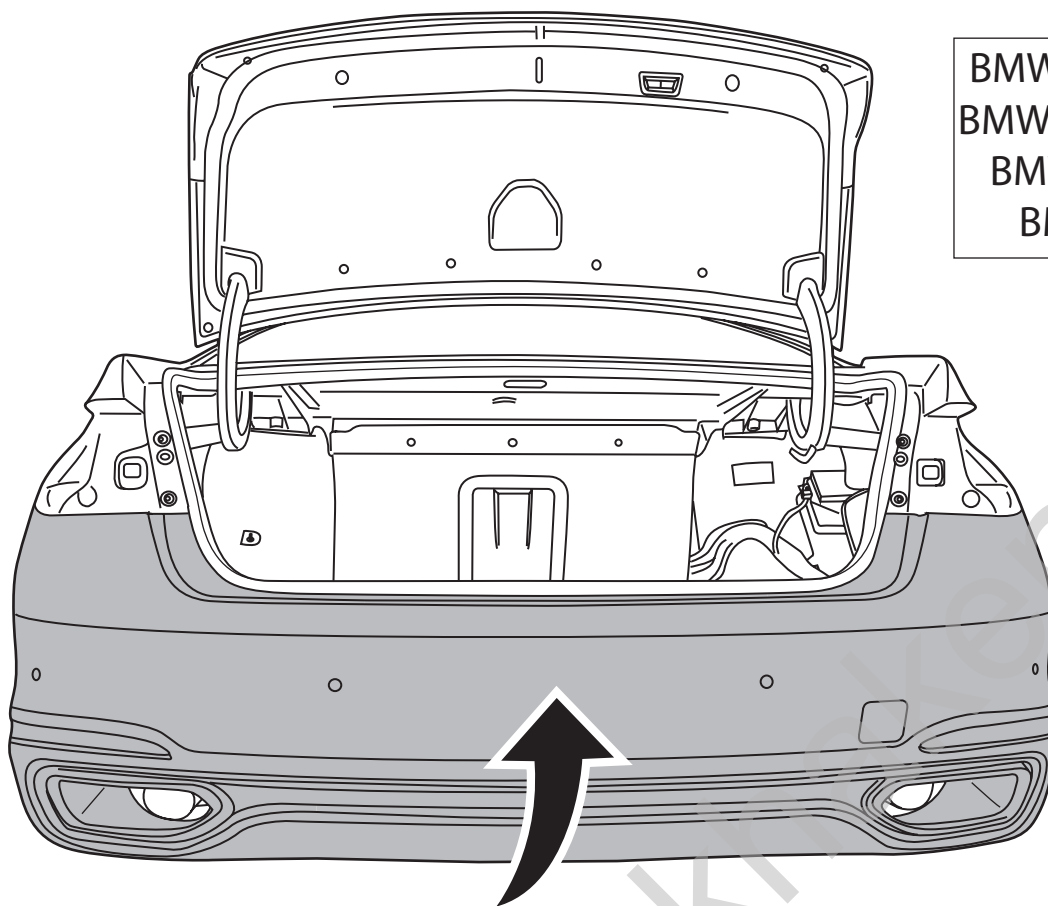


BMW 5 GT

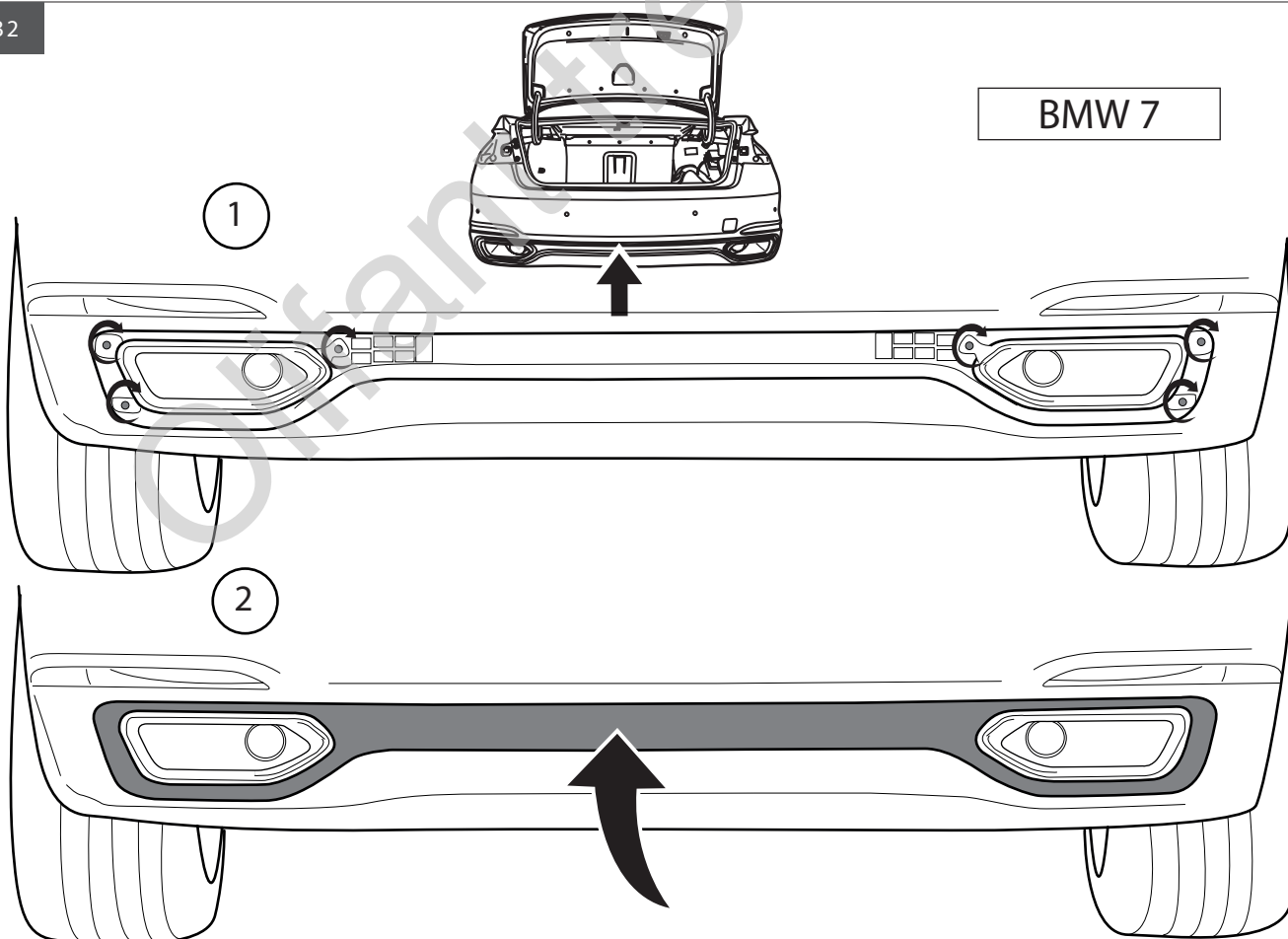
BMW PART N° 51128069485





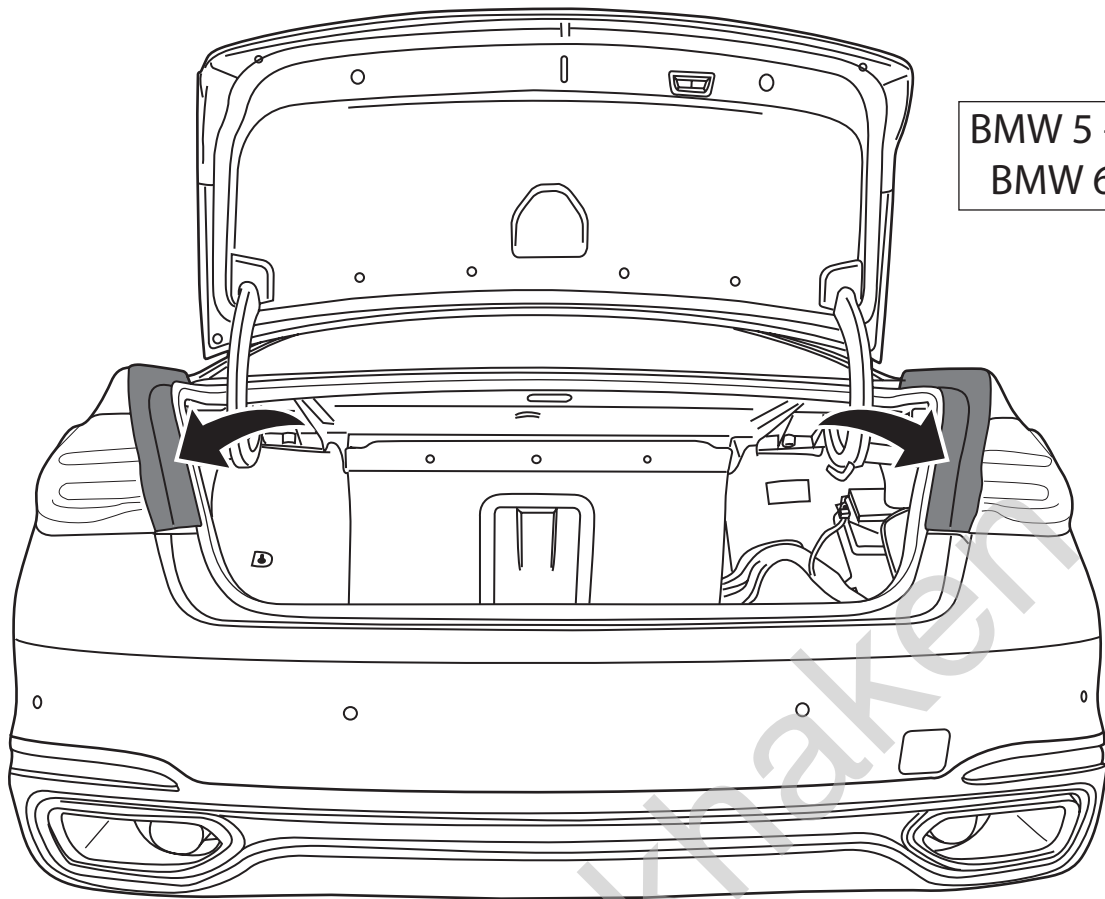


BMW 5 + M5  
BMW 5 BREAK  
BMW 6 GT  
BMW 7

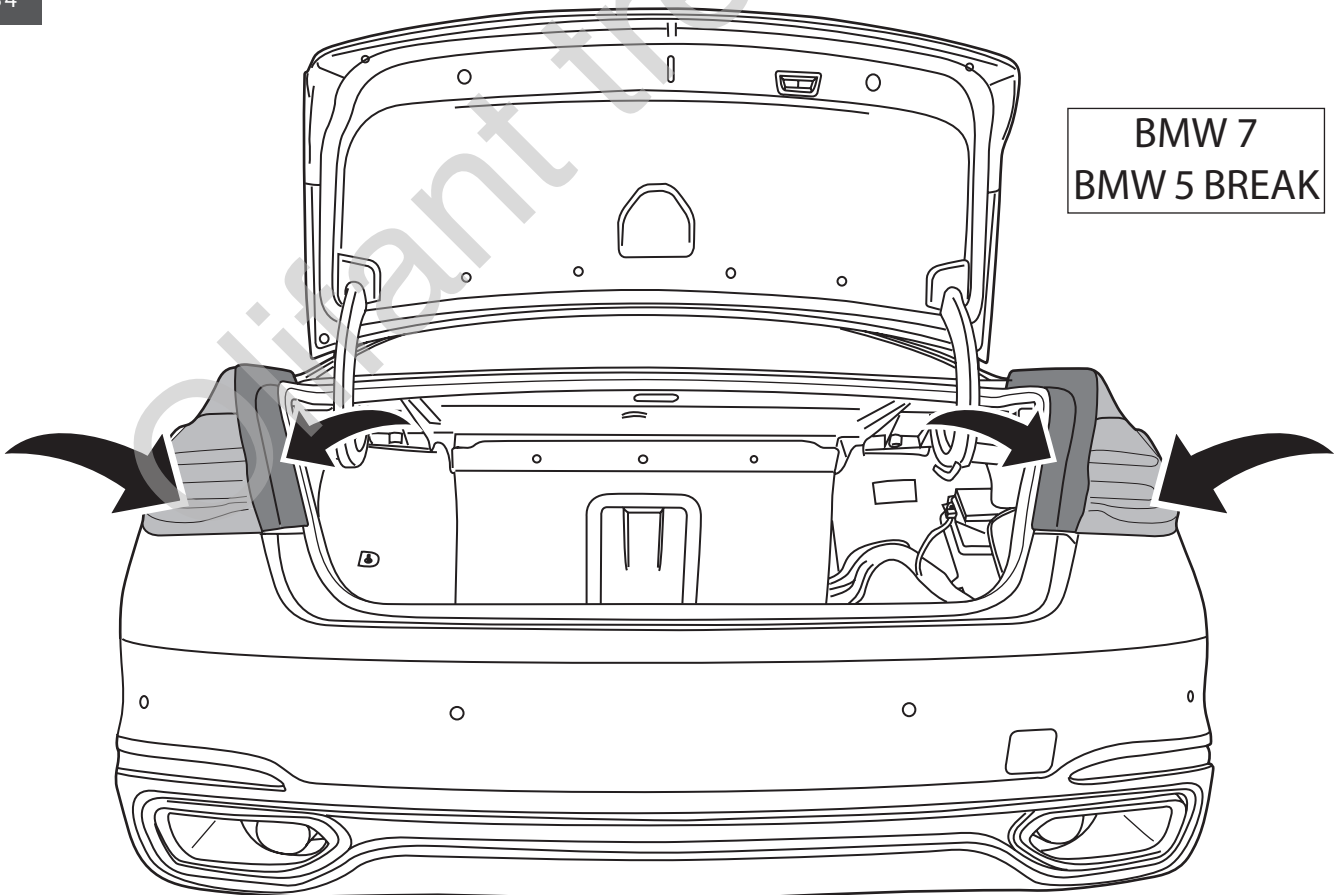


BMW 7



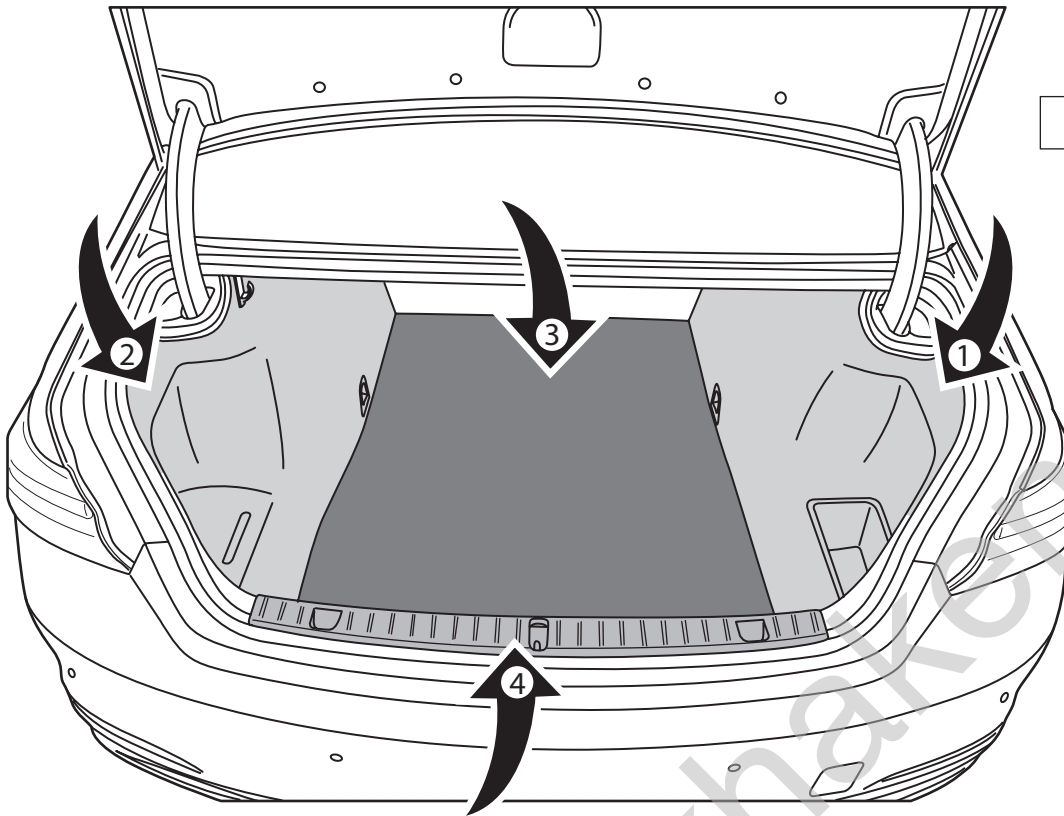


BMW 5 + M5  
BMW 6 GT



BMW 7  
BMW 5 BREAK

BMW 7



!

