



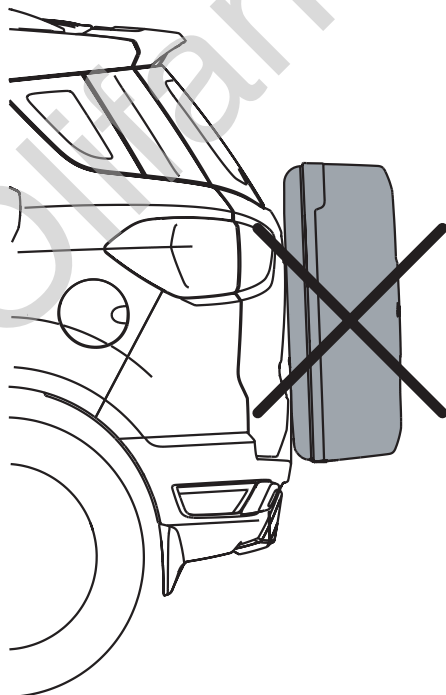
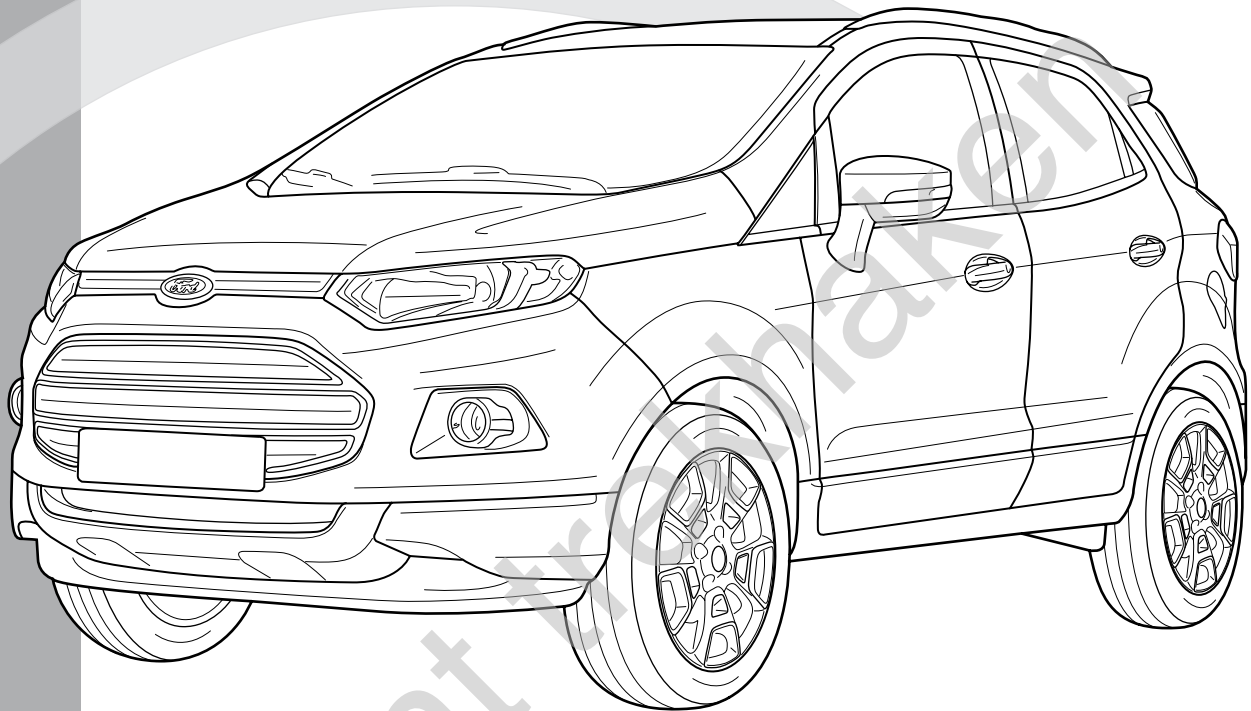
TREKHAKEN • ATTELAGES • ANHÄNGERVORRICHTUNGEN • TOWBARS • ENHANCES • ANHÆNGERTRÆK

Montagehandleiding | instructions de montage | Einbauanleitung | Mounting instruction
Instrucciones de montaje | monteringsvejledning



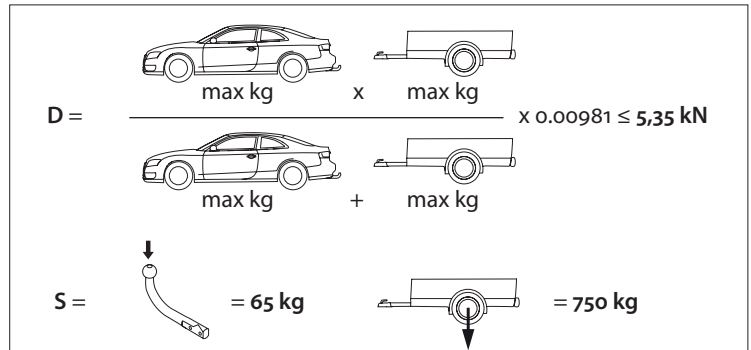
Ford Ecosport

09/'15 - 10/'17

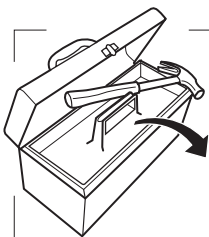


See the Certificate Of Conformity (COC) of your vehicle or contact your dealer to verify the max. trailer weight of your car!

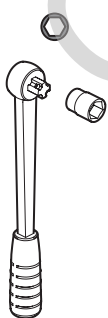
MADE BY	D 5,35	F	E6
BELGIUM	S 64	EC APPROVAL N° 55R-011226	
REF N°	2126	SERIE N°	
OMSCHRIJVING			
Ford Ecosport 09/'15-			



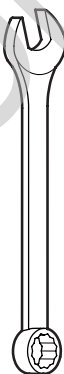
	M 6	M 8	M 10		M 12			M 14		M 16
	1	1,25	1,5	(1,25)	1,75	(1,5)	(1,25)	1,75	(1,5)	2
8.8	11,3 Nm	27,3 Nm	54,0 Nm	57,0 Nm	93,0 Nm	97,0 Nm	101,0 Nm	148,0 Nm	159,0 Nm	230,0 Nm
10.9	16,5 Nm	40,1 Nm	79,0 Nm	83,0 Nm	137,0 Nm	143,0 Nm	149,0 Nm	218,0 Nm	234,0 Nm	320,0 Nm
12.9	19,3 Nm	46,9 Nm	93,0 Nm	98,0 Nm	160,0 Nm	167,0 Nm	174,0 Nm	255,0 Nm	274,0 Nm	395,0 Nm



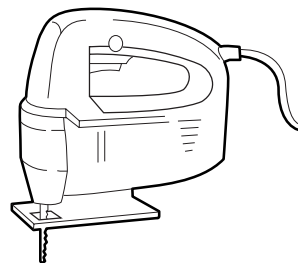
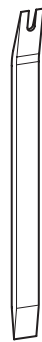
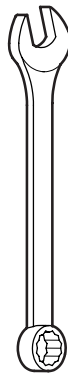
10

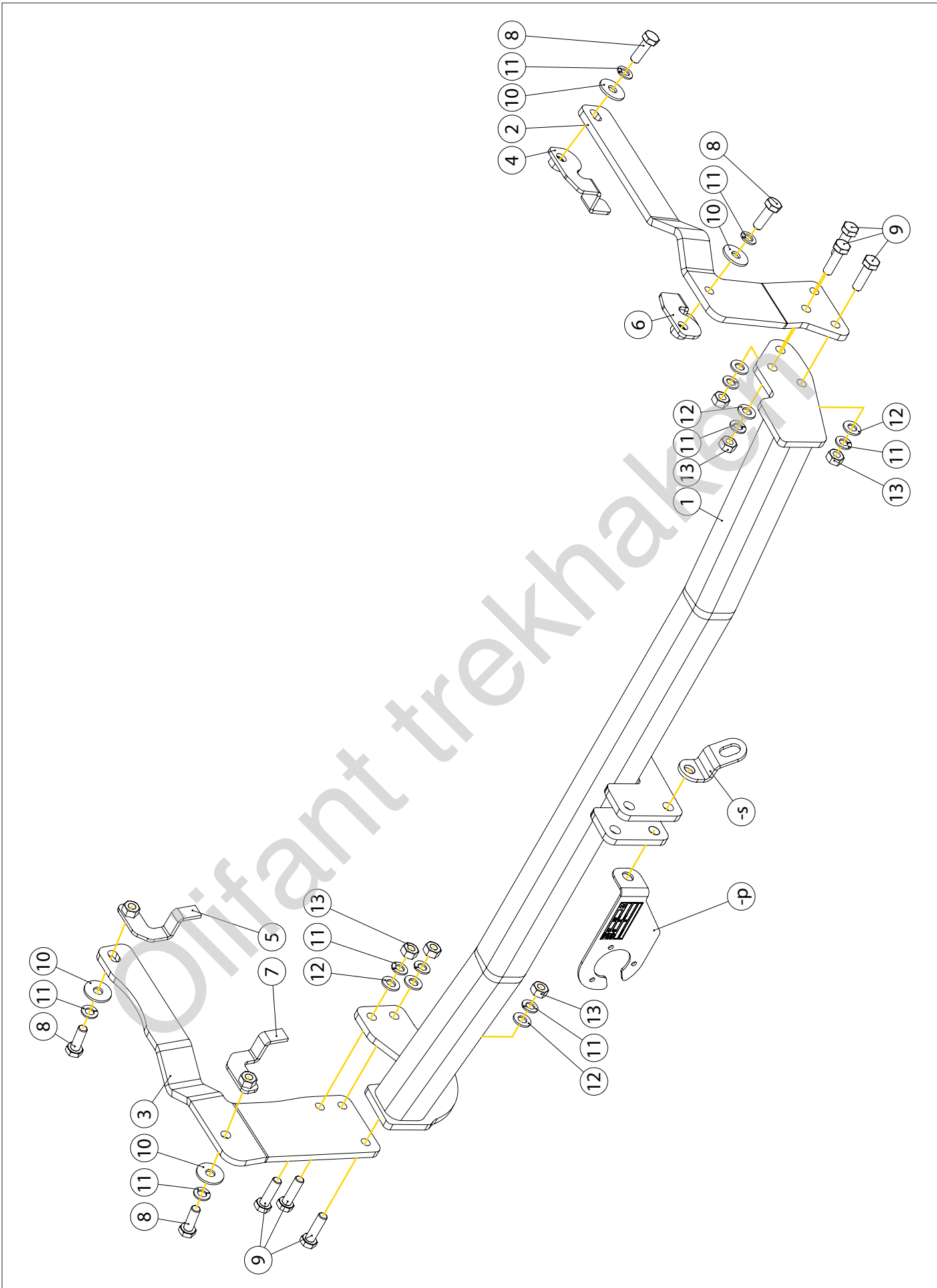


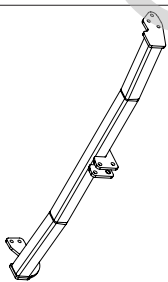
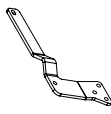
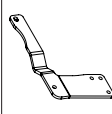




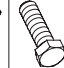
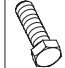
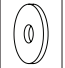
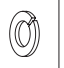

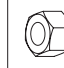
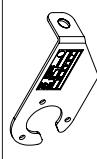
17

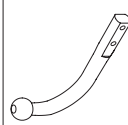
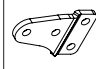




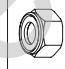


19

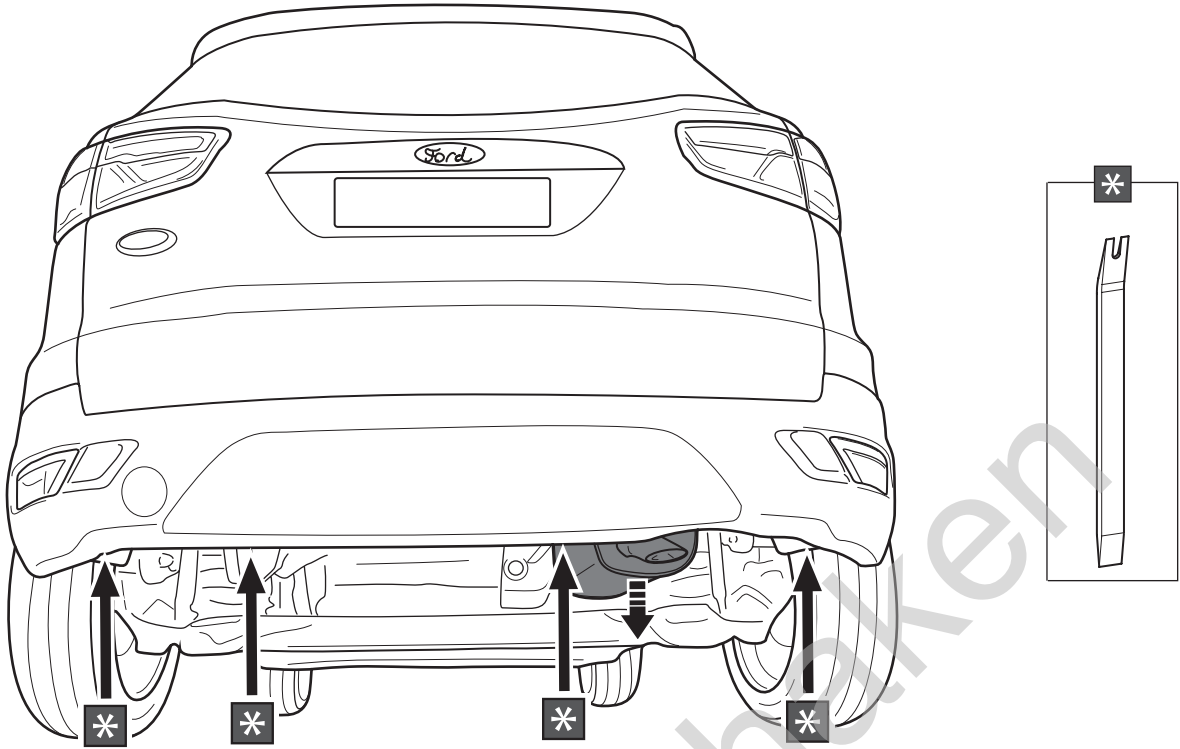




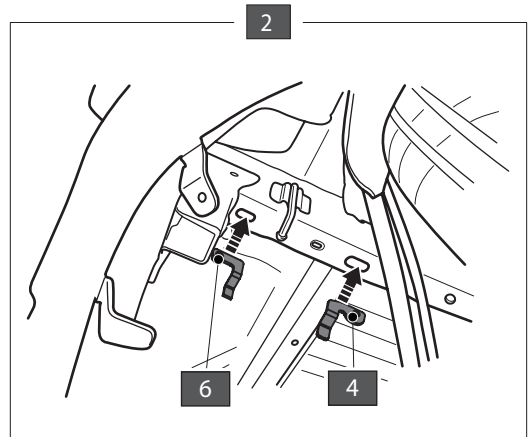
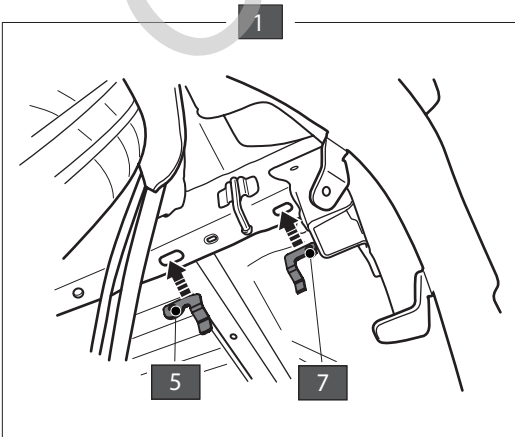
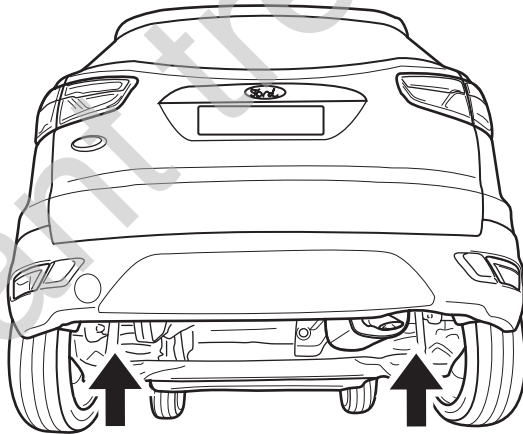
1		X1	GDW REF. 2126
2		X1	GDW REF. 2
3		X1	GDW REF. 3
4		X1	GDW REF. 4
5		X1	GDW REF. 5
6		X1	GDW REF. 6
7		X1	GDW REF. 7
8		X4	DIN933-M10 X 30
9		X6	DIN933-M10 X 35
10		X4	DIN9021-M12-ELVZ Ø 30 X 10 X 2.5
11		X10	DIN128A-M10
12		X6	DIN125-A10-14OHV- ELVZ Ø10,5 X 20 X 2
13		X6	DIN934-M10
-P		X1	GDW REF. P07

Geleverd met - Livré avec - Delivered with Geliefert mit - Elementos adjuntos-Leveres med		X1	944-M106
		X1	GDW REF. 900.025
		X1	GDW REF. 900.026
		X2	GDW REF. 900.011 Ø 21.3 X 11.7
		X1	GDW REF. 900.053
		X4	DIN931-M12 X 70
		X4	DIN985-M12

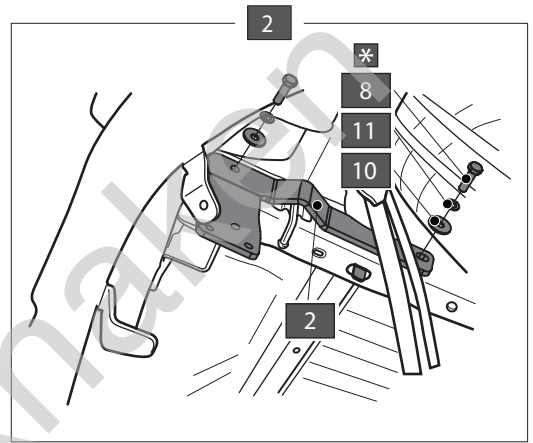
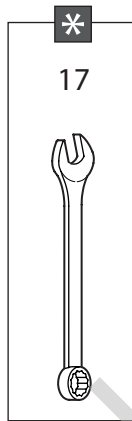
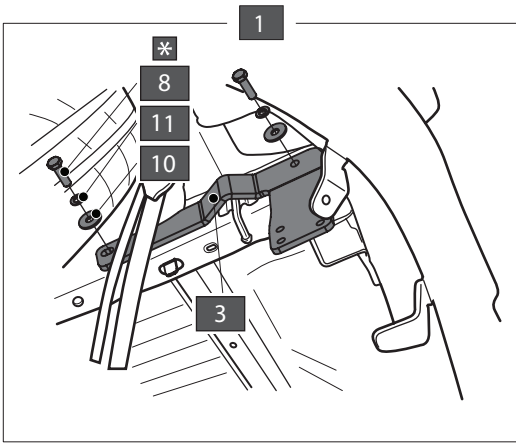
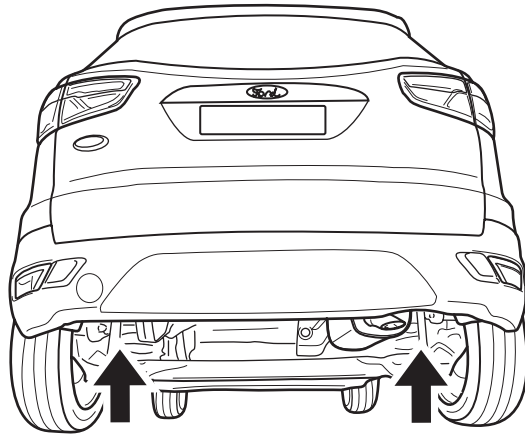
1



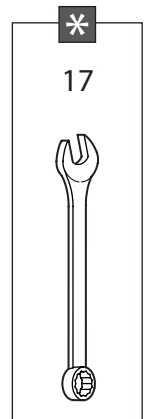
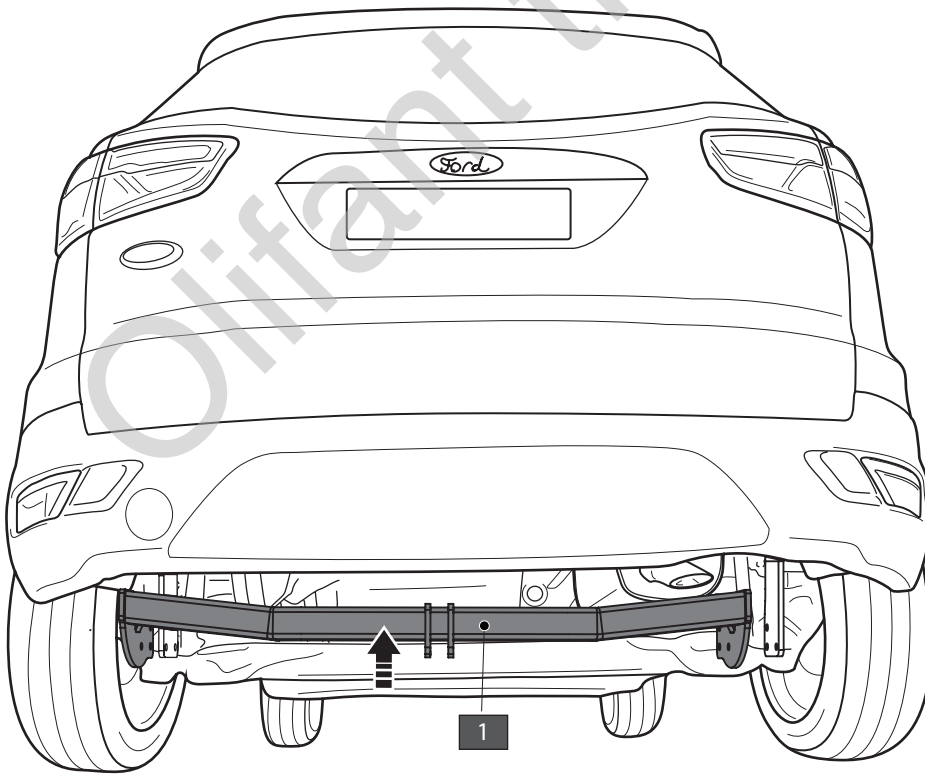
2

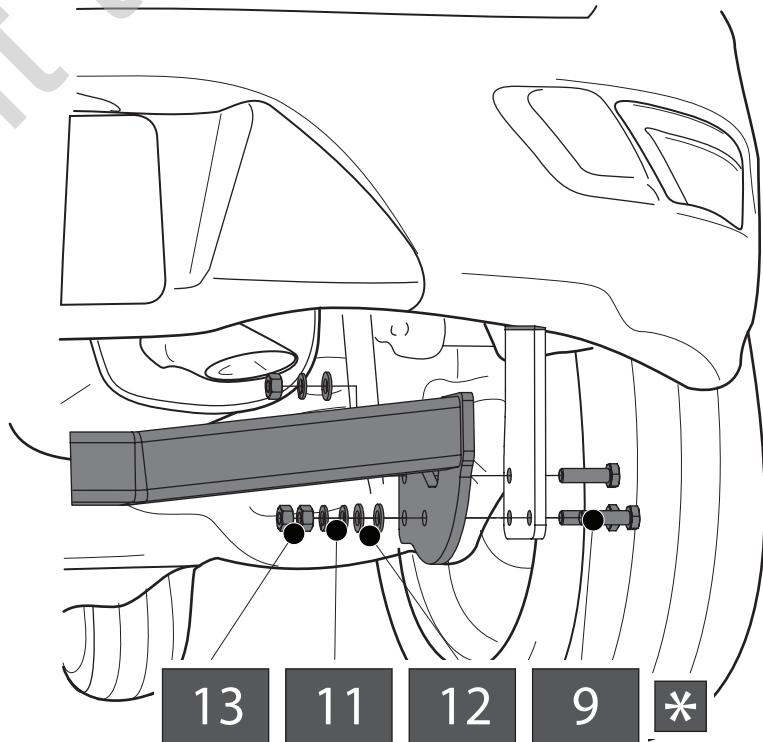
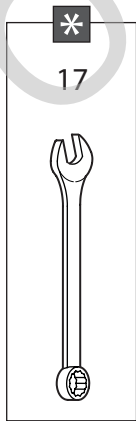
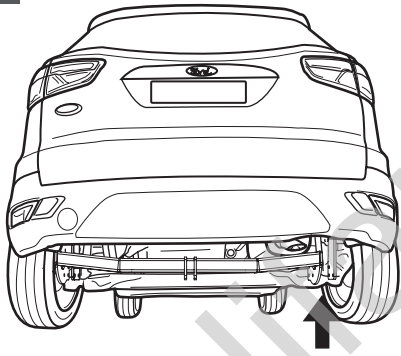
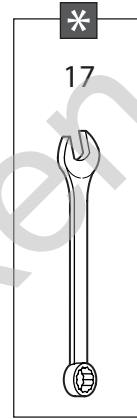
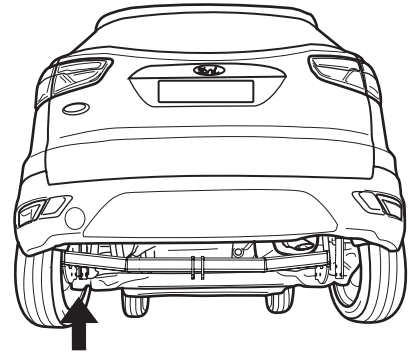
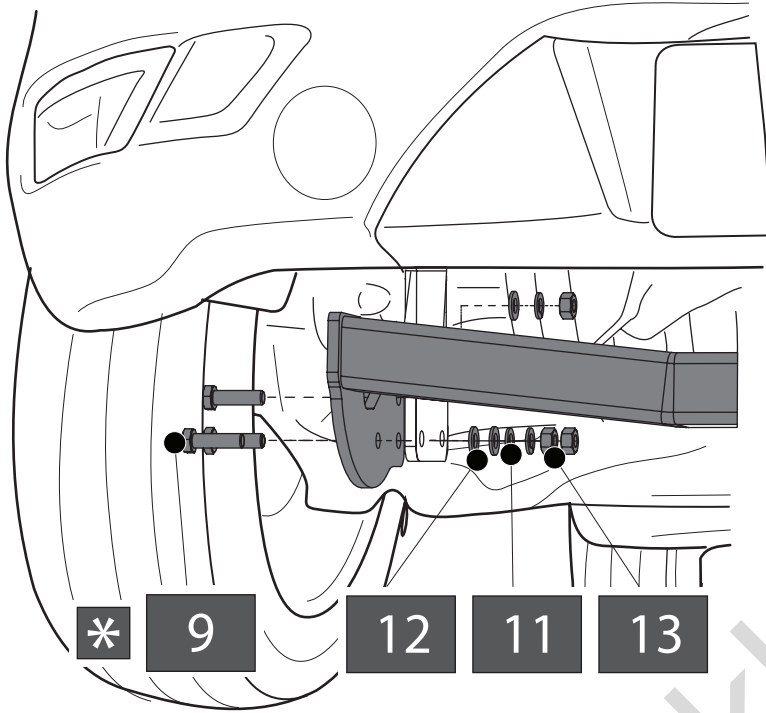


3

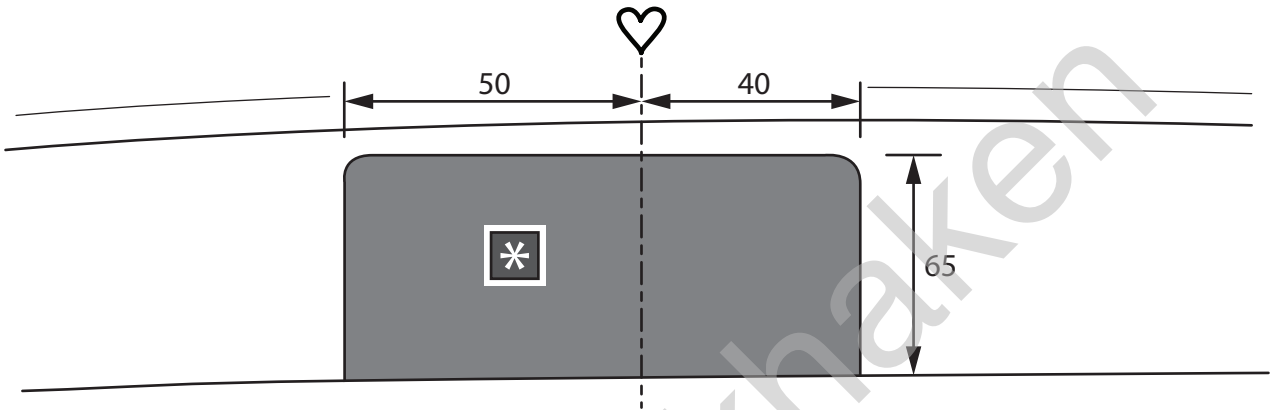
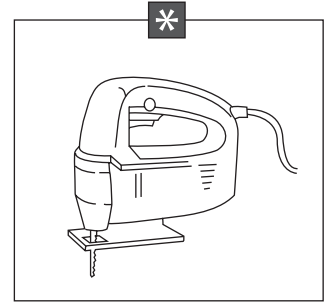
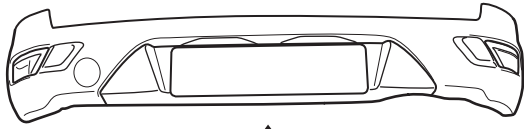


4

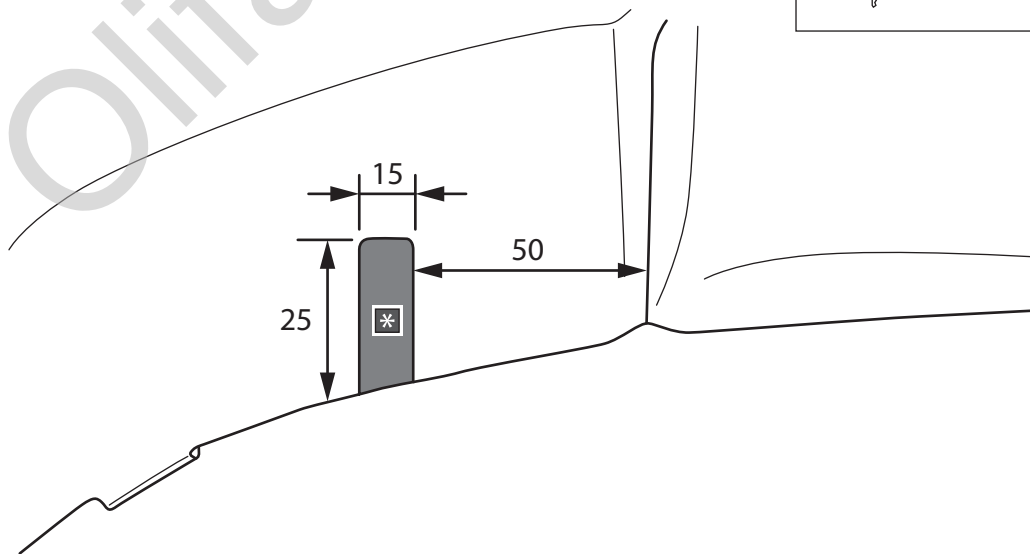
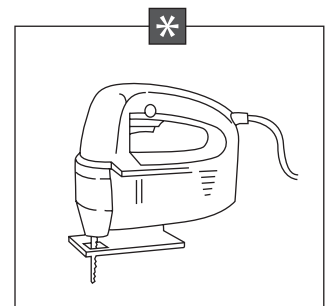
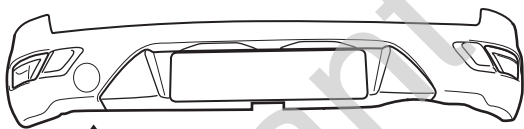




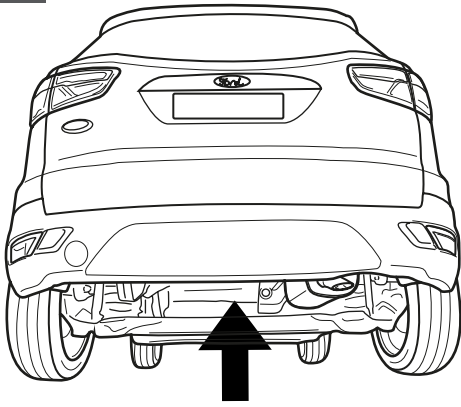
7



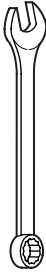
8



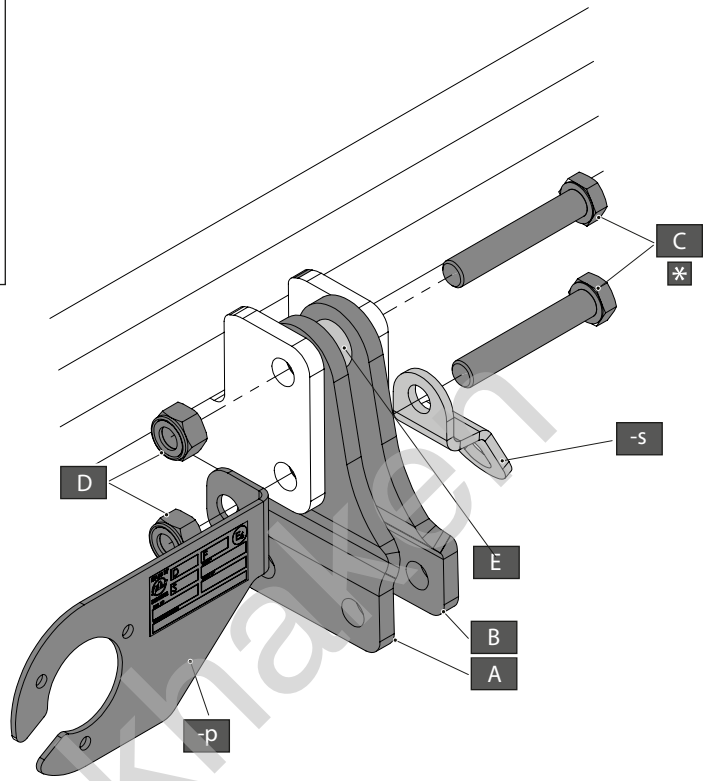
9



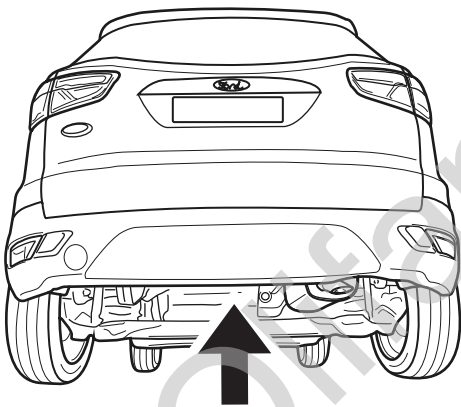
19



A		X1	GDW REF. 900.025
B		X1	GDW REF. 900.026
C		X2	DIN931 M12 X 70
D		X2	DIN985 M12
E		X2	GDW REF. 900.011
-S		X1	GDW REF.900.053



10



19



A		X1	944.M106
B		X2	DIN931 M12 X 70
C		X2	DIN985 M12

