

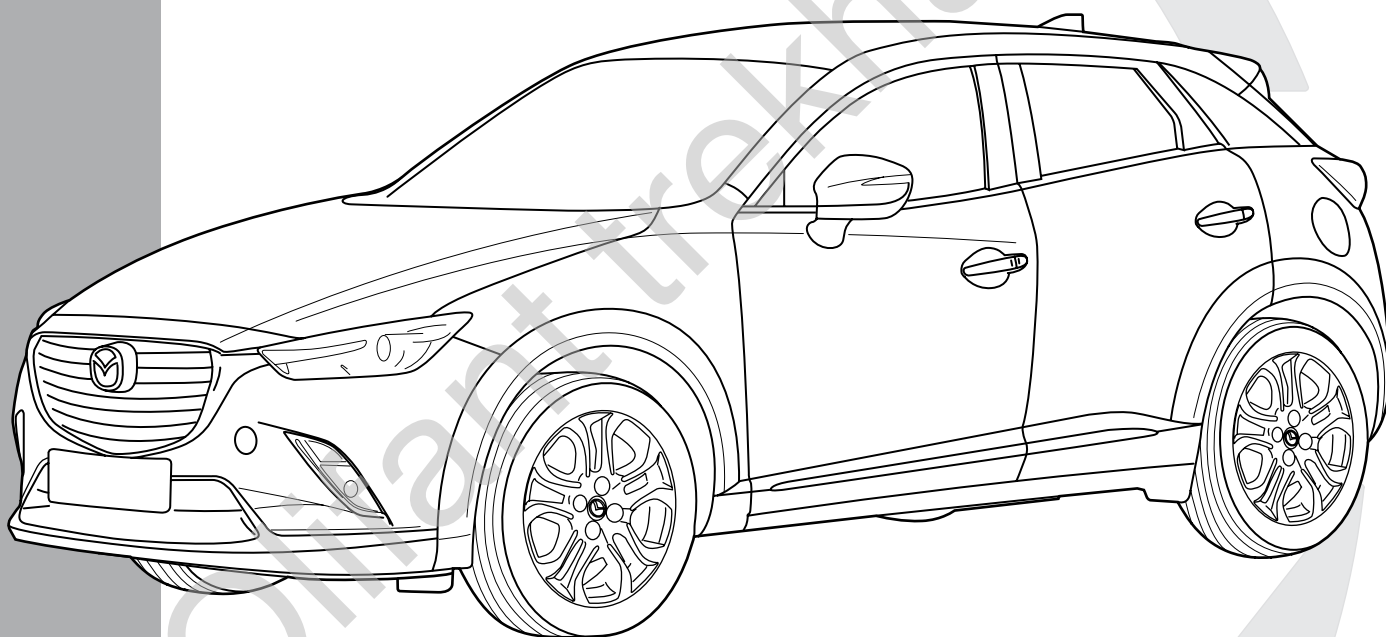


TREKHAKEN • ATTELAGES • ANHÄNGERVORRICHTUNGEN • TOWBARS • ENHANCES • ANHÆNGERTRÆK  
Montagehandleiding | instructions de montage | Einbauanleitung | Mounting instruction  
Instrucciones de montaje | monteringsvejledning




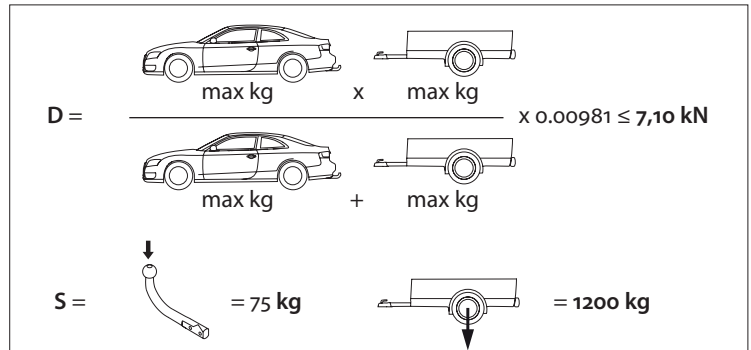
# Mazda CX3

06/'15-

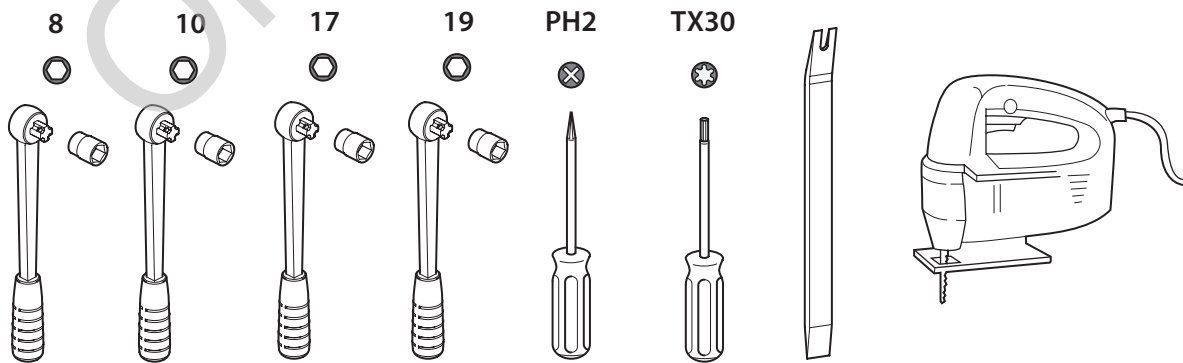
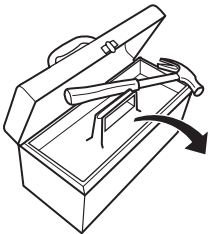


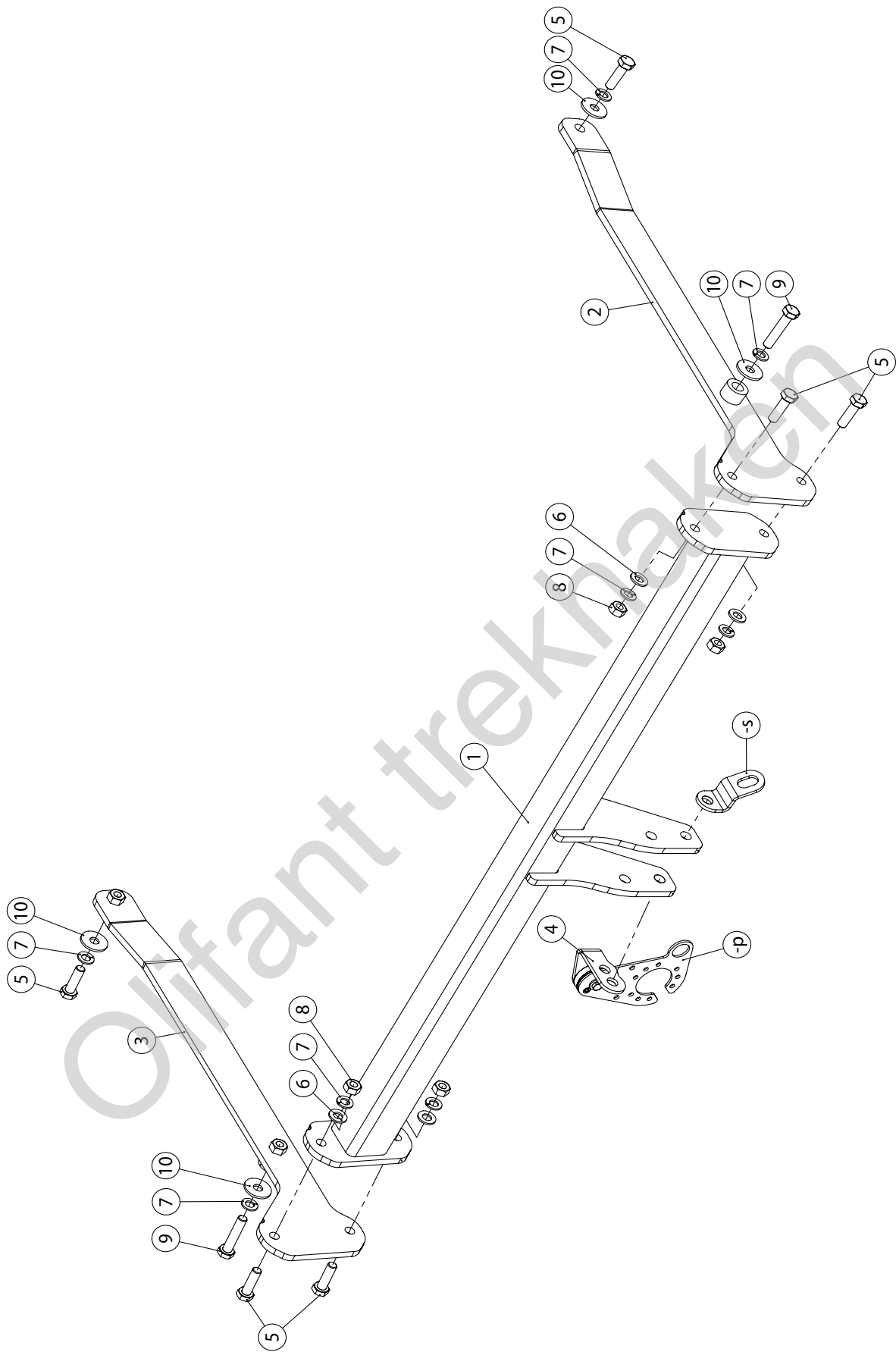
See the Certificate Of Conformity (COC) of your vehicle or contact your dealer to verify the max. trailer weight of your car!

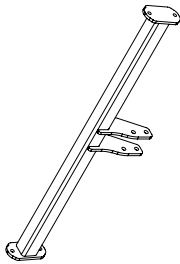
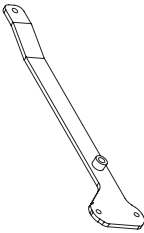
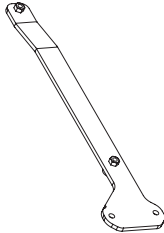
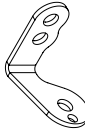







MADE BY	D 7,10	F	E6
			
BELGIUM	S 75	EC APPROVAL N°	
		55R-011263	
REF N°	SERIE N°		
2103T60			
OMSCHRIJVING			
Mazda CX3 06/'15-			

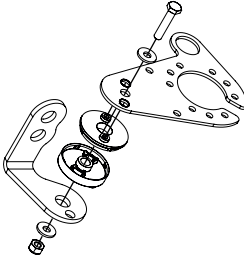

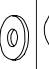


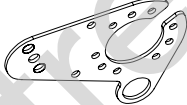



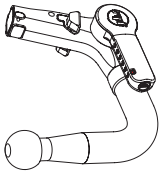

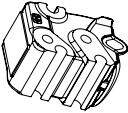









	M 6	M 8	M 10		M 12			M 14		M 16
	1	1,25	1,5	(1,25)	1,75	(1,5)	(1,25)	1,75	(1,5)	2
<b>8.8</b>	11,3 Nm	27,3 Nm	54,0 Nm	57,0 Nm	93,0 Nm	97,0 Nm	101,0 Nm	148,0 Nm	159,0 Nm	230,0 Nm
<b>10.9</b>	16,5 Nm	40,1 Nm	79,0 Nm	83,0 Nm	137,0 Nm	143,0 Nm	149,0 Nm	218,0 Nm	234,0 Nm	338,0 Nm
<b>12.9</b>	19,3 Nm	46,9 Nm	93,0 Nm	98,0 Nm	160,0 Nm	167,0 Nm	174,0 Nm	255,0 Nm	274,0 Nm	395,0 Nm



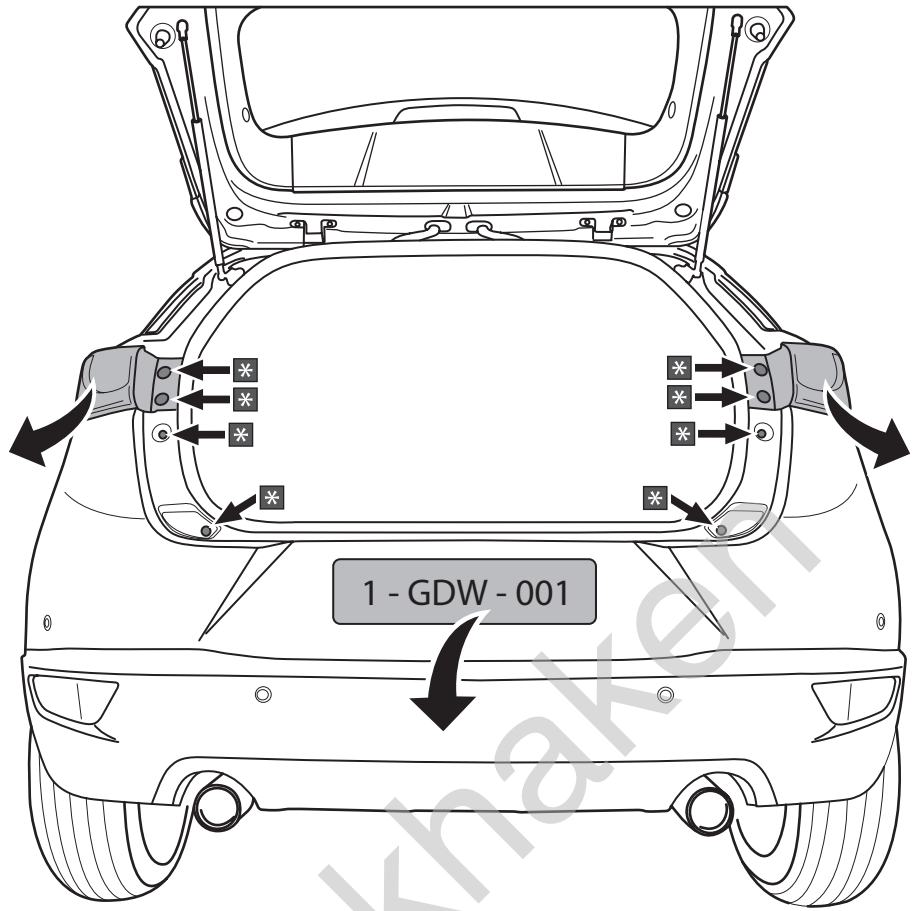
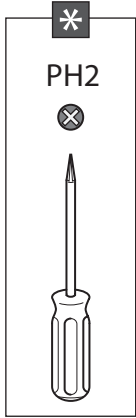


1		X1	GDW REF. 2103T60
2		X1	GDW REF. 2
3		X1	GDW REF. 3
4		X1	GDW REF. 4
5		X6	DIN 933-M10X35
6		X4	DIN125-A10-140HV- ELVZ
7		X8	DIN 128A-M10
8		X4	DIN 934-M10
9		X2	DIN931-M10X50
10		X4	DIN9021-M10-ELVZ
-5		X1	GDW REF. 900.053

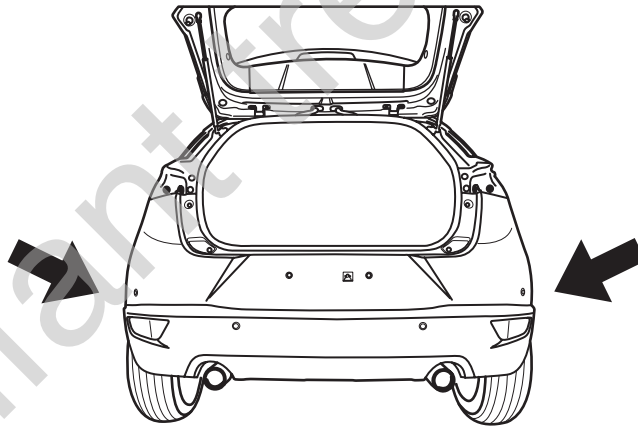
-P		X1	GDW REF. P38 + REF.4
└		X1	DIN985-M6
└		X2	6,2 X 15,4 X 1,6 (NYLON)
└		X1	GDW REF. 718.16.002
└		X1	GDW REF. 718.16.003
└		X1	GDW REF. 908.094
└		X1	DIN933-M6 X 30

Geleverd met - Livré avec - Delivered with Geliefert mit - Elementos adjuntos-Leveres med		X1	GDW REF. 960.V0808	
	└		X1	GDW REF. 740.200
	└		X1	GDW REF. 912.003
	└		X1	GDW REF. 740.112
	└		X1	GDW REF. 740.111
	└		X1	GDW REF. 740.114
	└		X1	GDW REF. 718.15.001
	└		X1	GDW REF. SYST60-100
	└		X2	DIN933-M12 X 25
	└		X2	DIN933-M12 X 20
	└		X4	Ø 14 X 24 X 1
	└		X4	DIN128A-M12

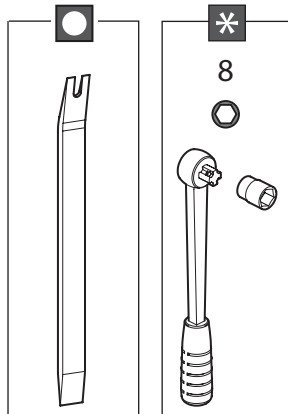
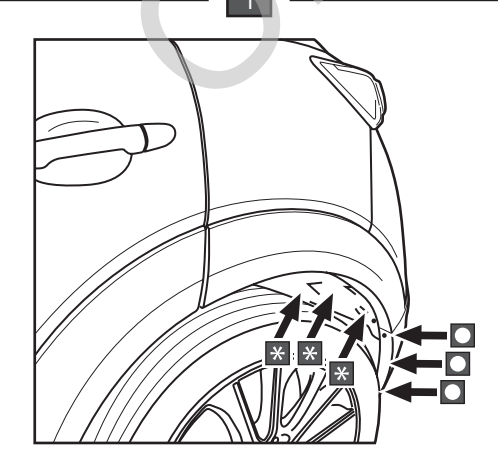
1



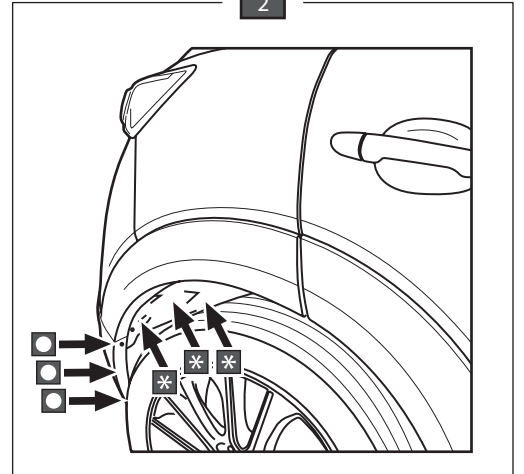
2

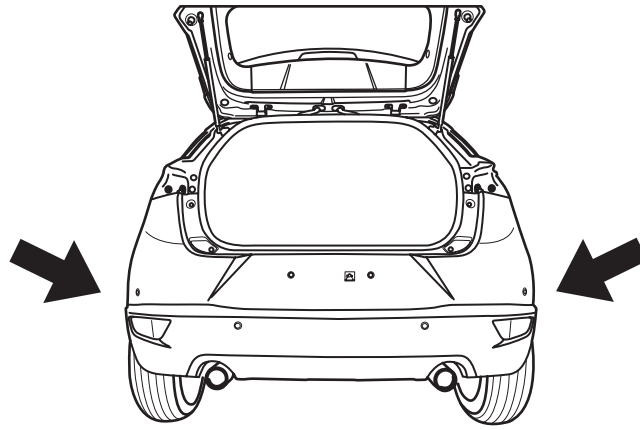


1

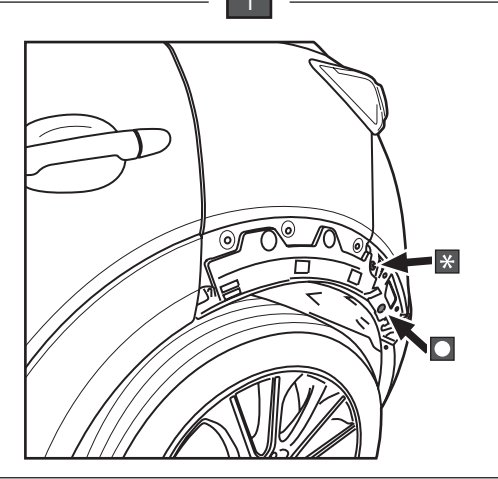


2

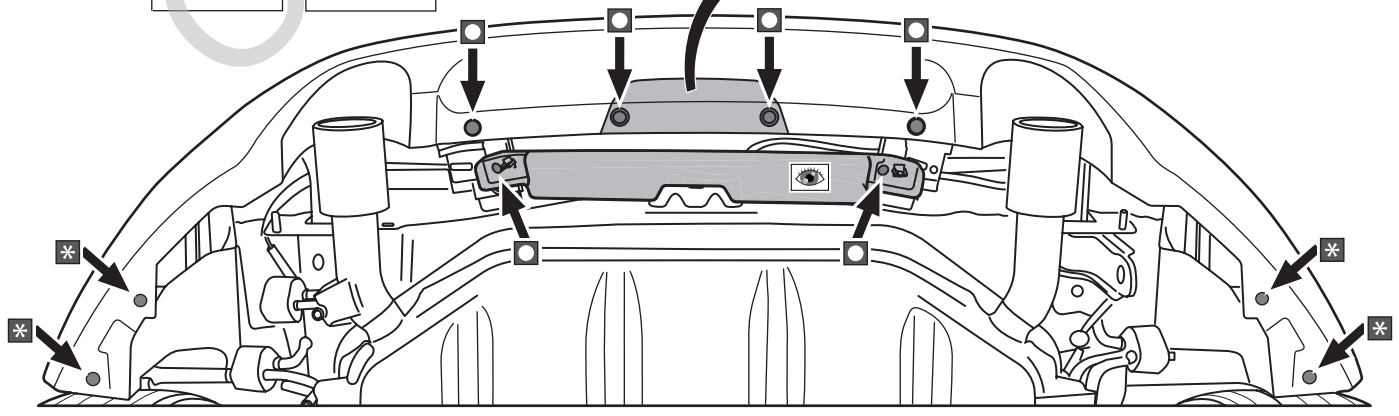
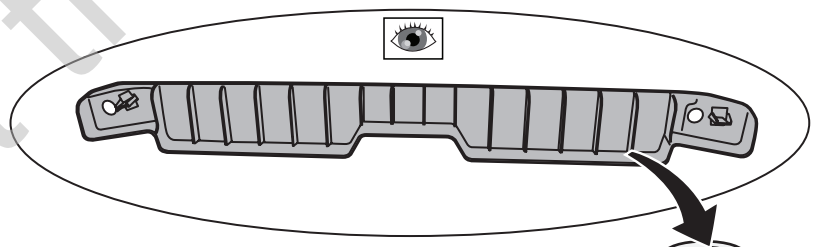
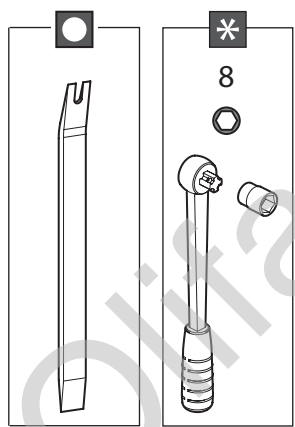
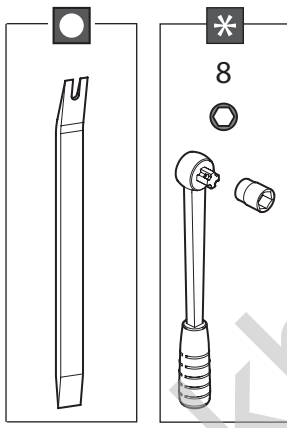
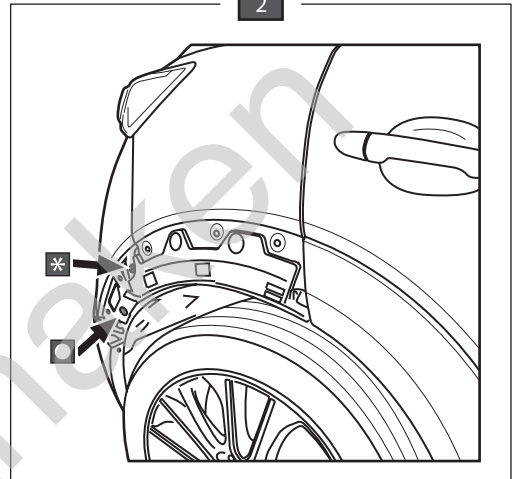


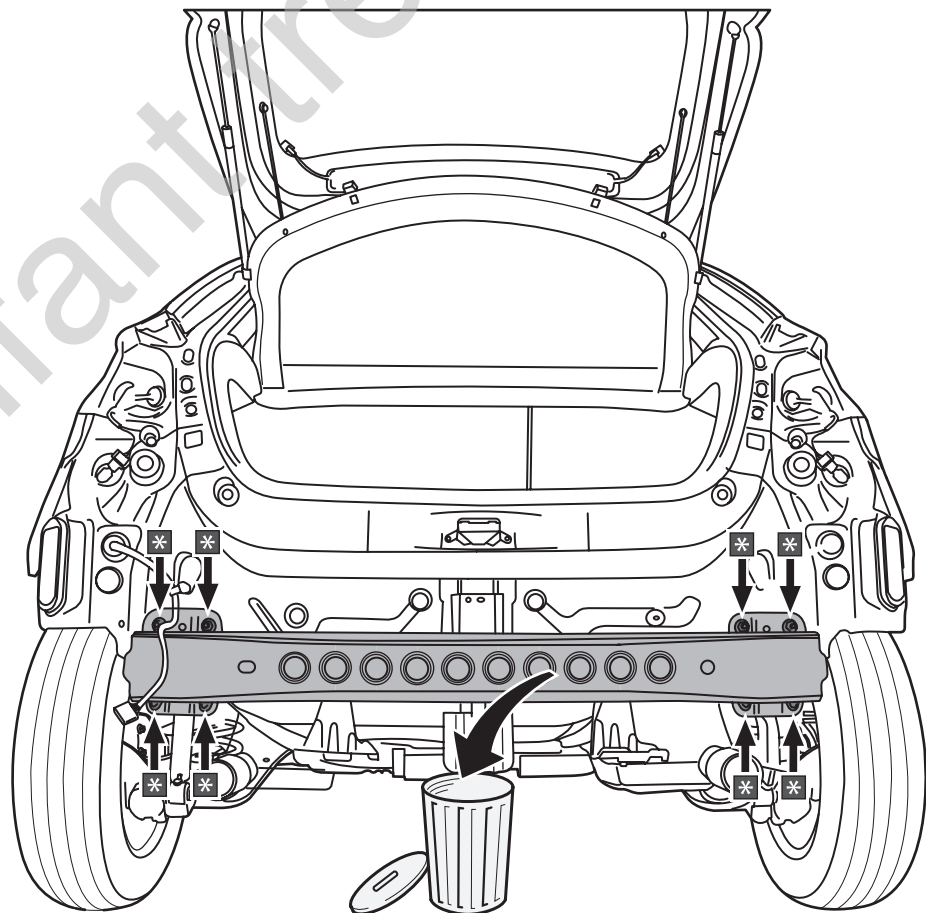
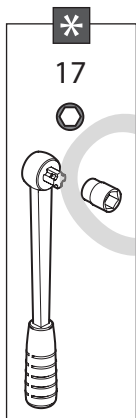
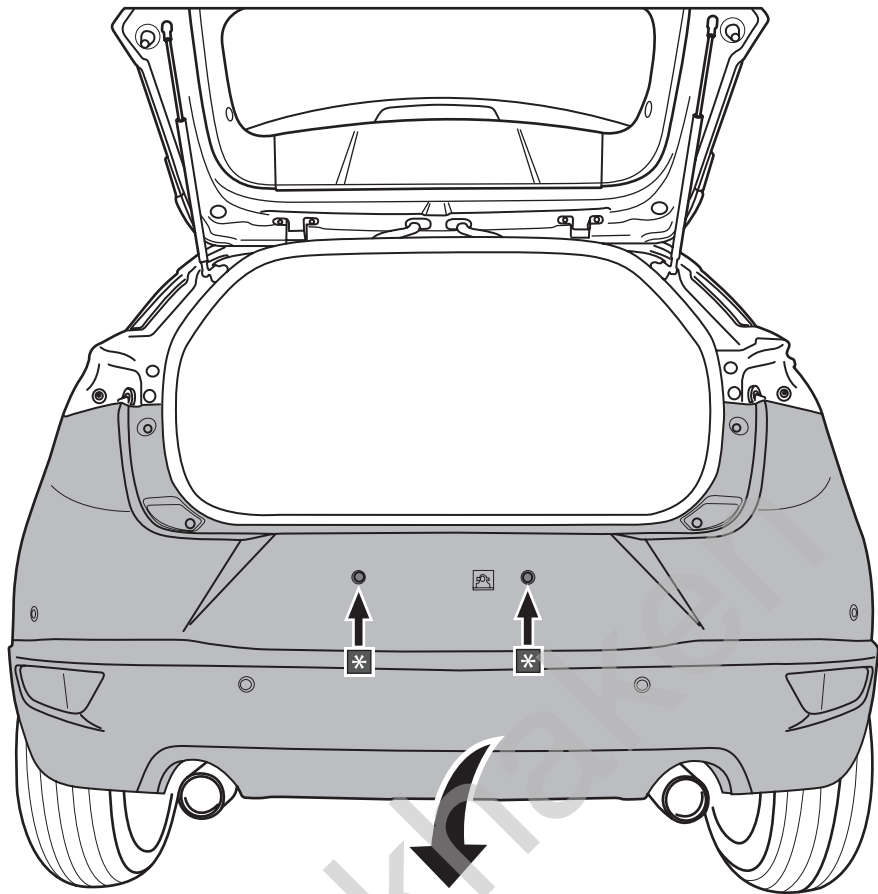
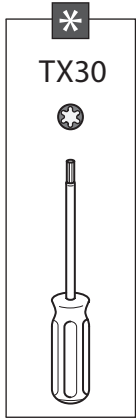


1

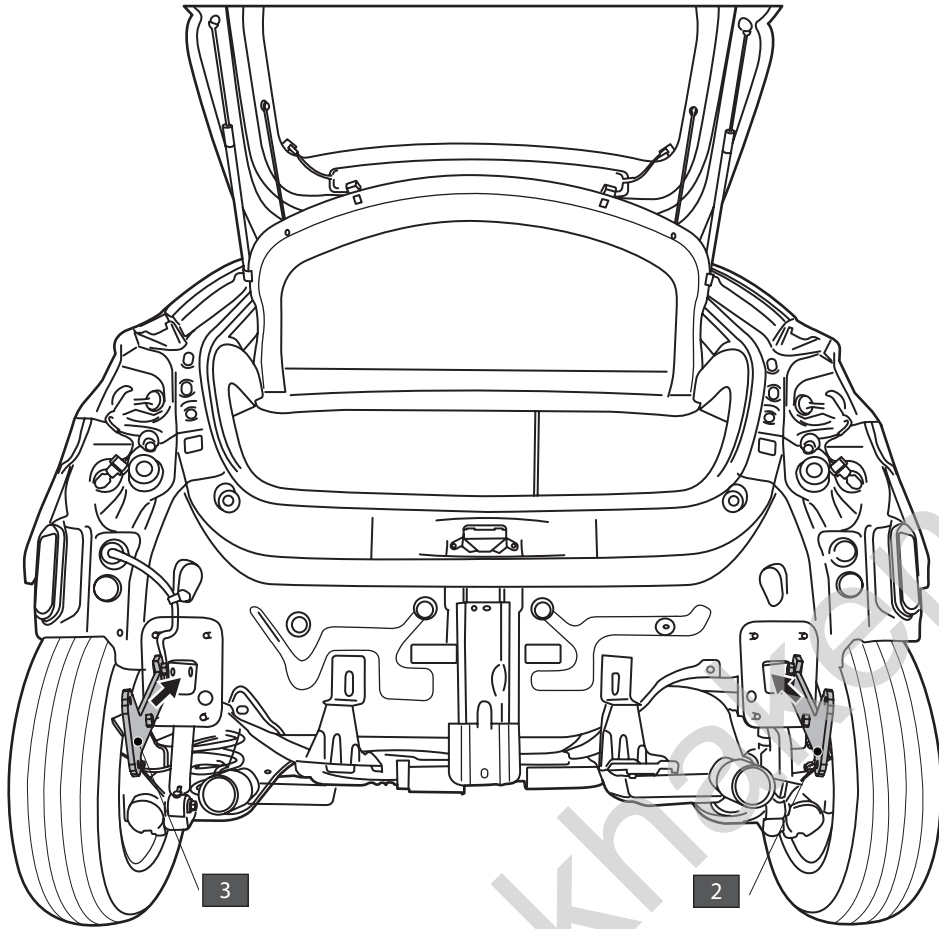


2

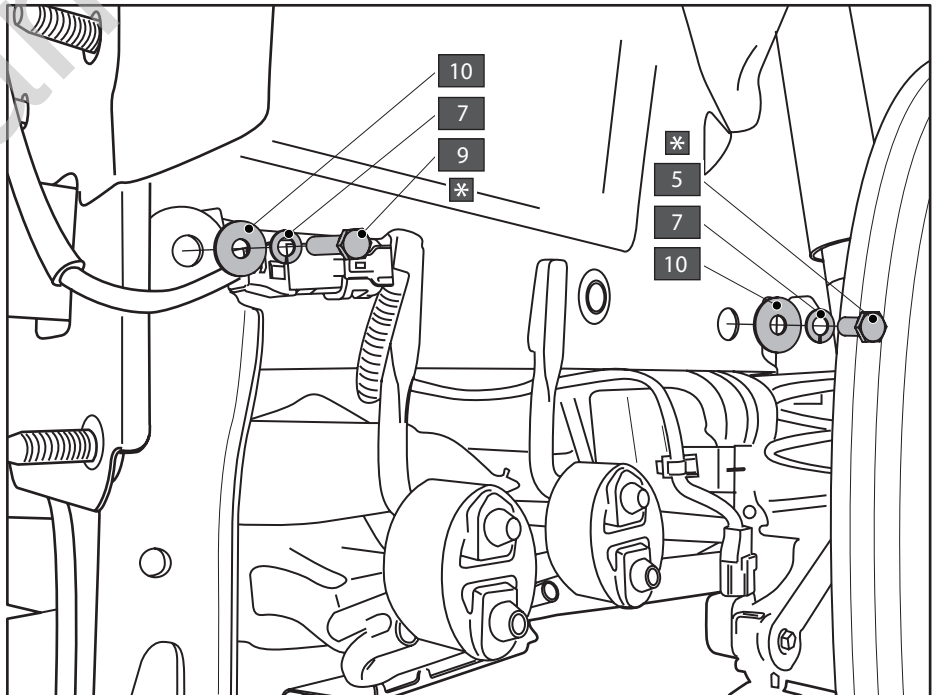
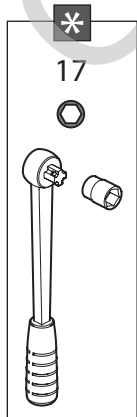
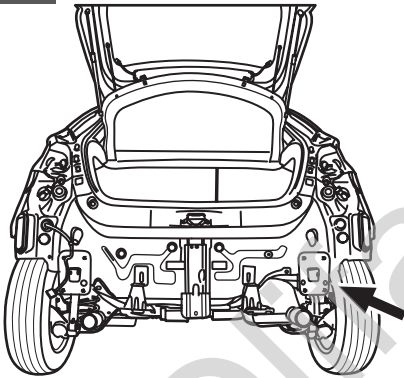




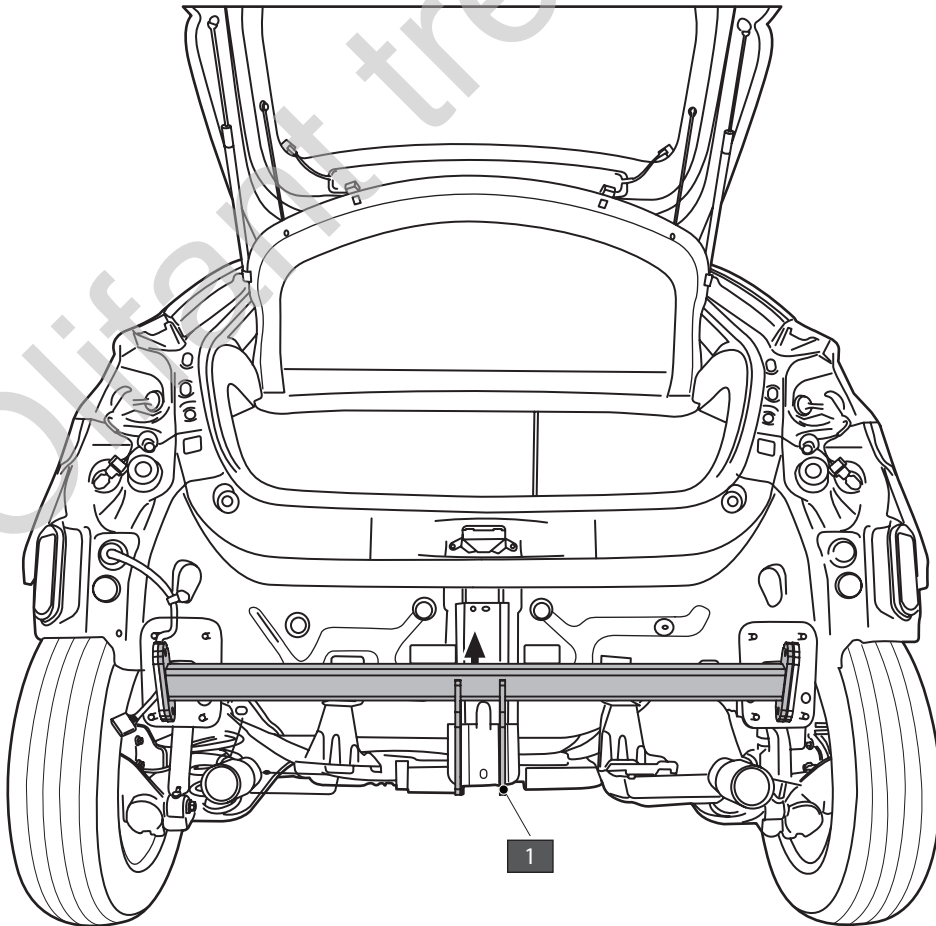
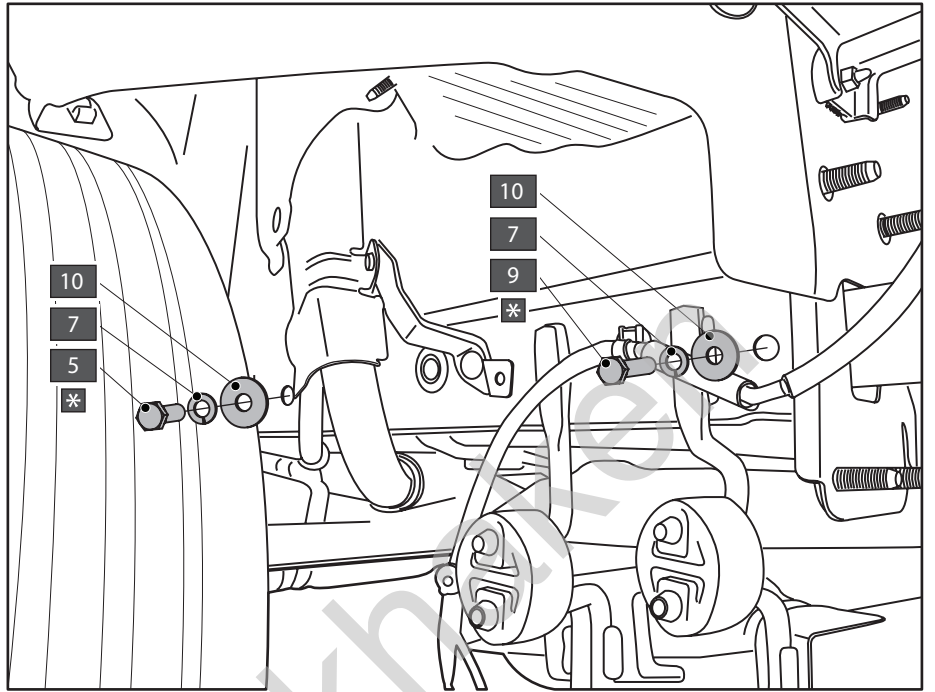
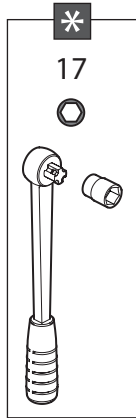
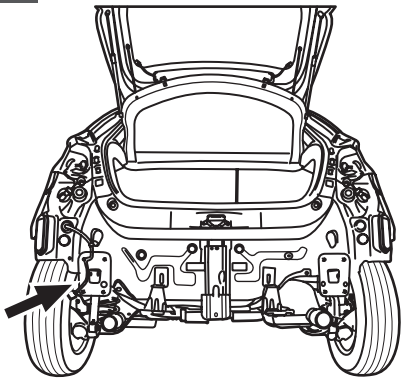
7

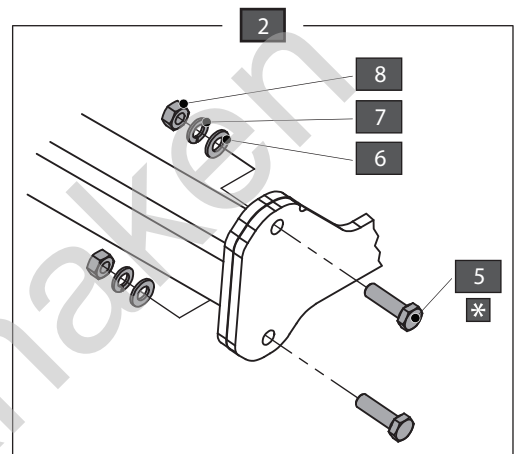
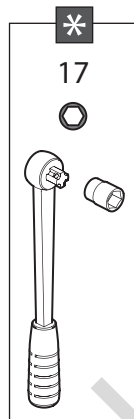
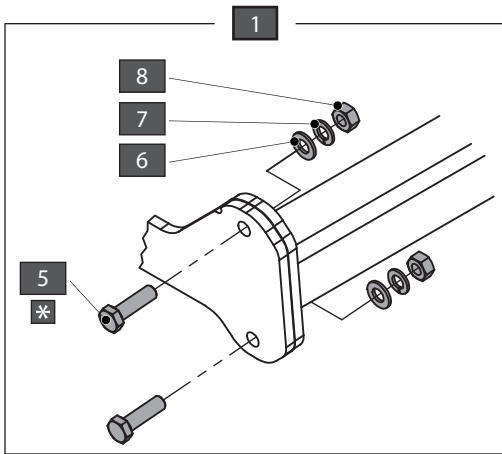
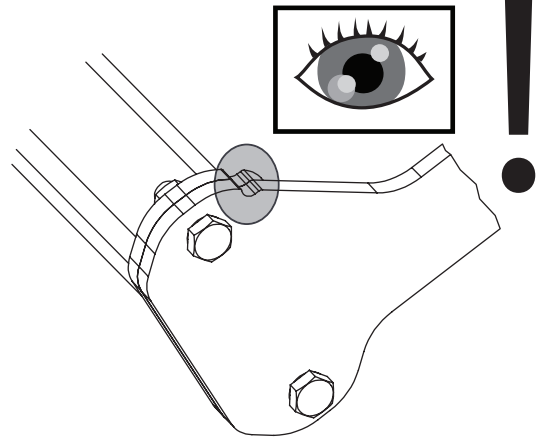
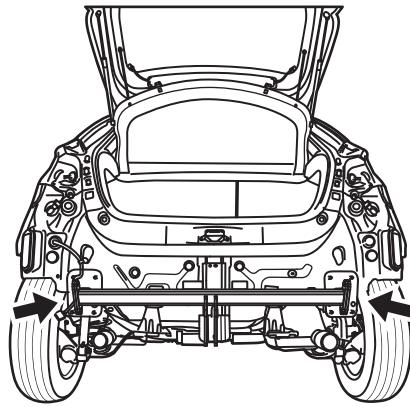


8

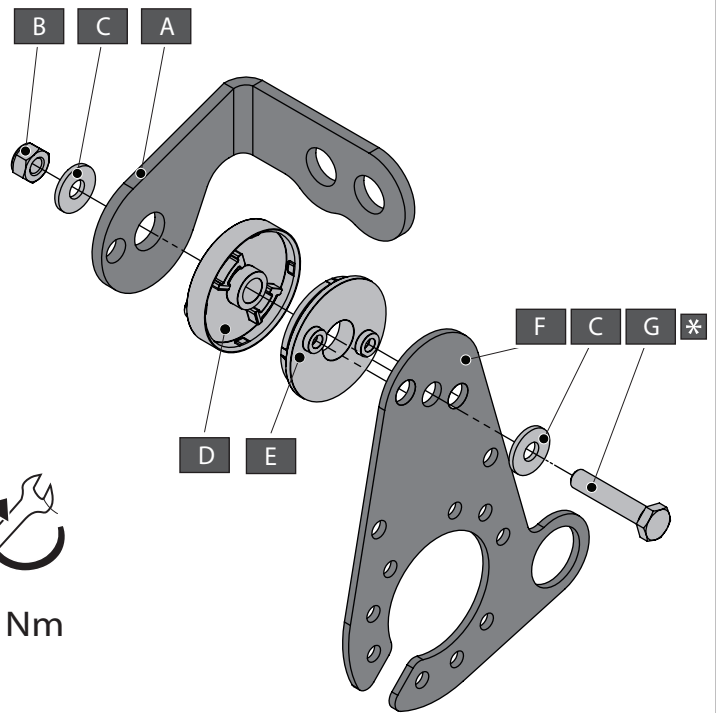
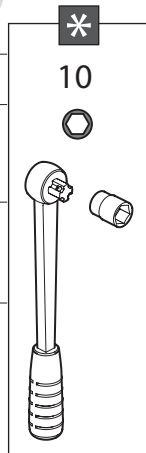




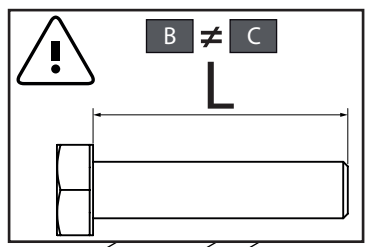
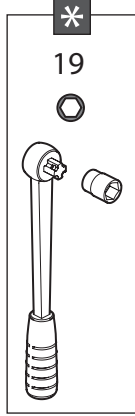
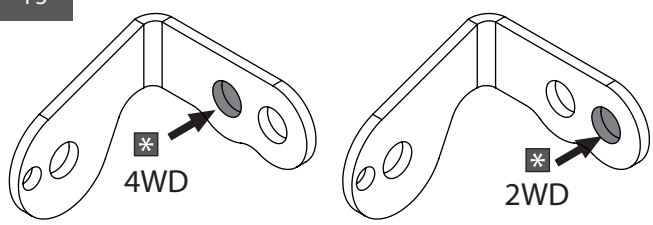




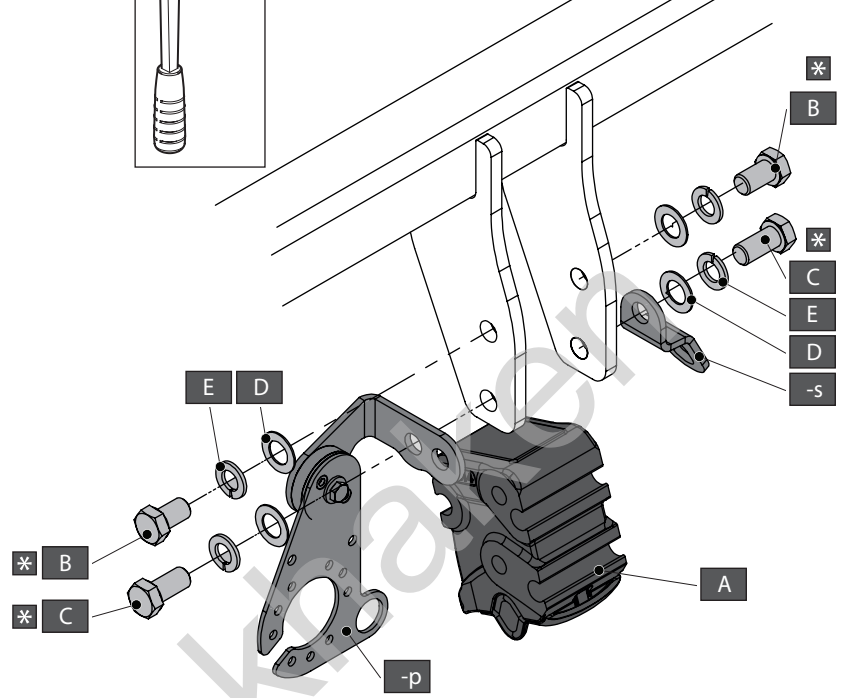
A		X1	GDW REF. 4
B		X1	DIN985-M6
C		X2	6,2 X 15,4 X 1,6 (NYLON)
D		X1	GDW REF. 718.16.002
E		X1	GDW REF. 718.16.003
F		X1	GDW REF. 908.094
G		X1	DIN933-M6 X 30



13



A		X1	912.003
B		X2	DIN933-M12 X 25
C		X2	DIN933-M12 X 20
D		X4	Ø 14 X 24 X 1
E		X4	DIN128A-M12



14

